

# ERSATZTEILKATALOG

**Diesel Traktoren**

**955**

**964**

**970**

**SERVICE PARTS CATALOGUE**

**CATALOGUE DES PIECES  
DETACHEES**

**CATALOGO PARTI  
DI RICAMBO**

**CATÁLOGO DES PIEZAS  
DE REPUESTO**

**CATÁLOGO DE PECAS  
SOBRESSALENTES**

**RESERVEDELSKATALOG**

**ONDERDELENLIJST**

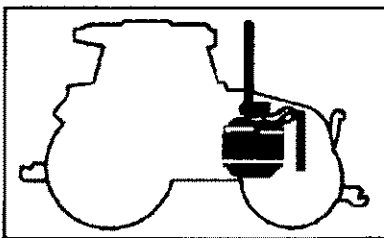

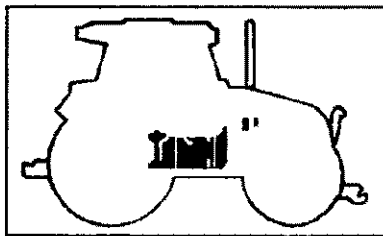
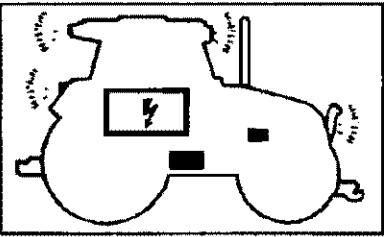

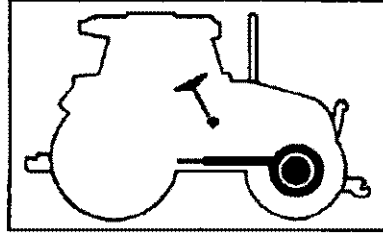
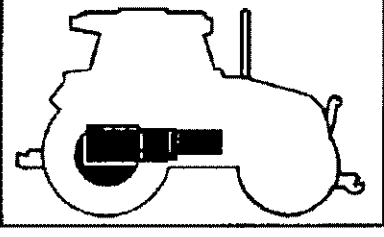

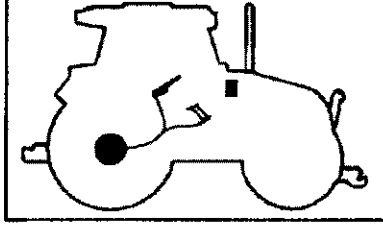
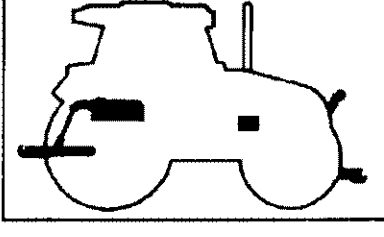

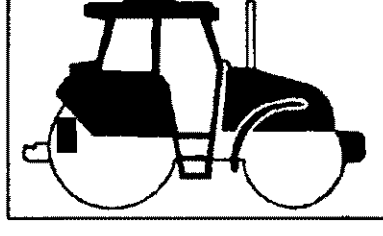
**Katalog Nr. 7-8350**

1. Ausgabe 09 2003



0.01(01) RESERVEDELSKATALOG

Ref	Onderdeelnummer	Kwt	Beschrijving

		ALLGEMEINES GENERAL GENERALITES	<b>0 .</b>
		MOTOR ENGINE MOTEUR THERMIQUE	<b>02</b>
		KRAFTSTOFFANLAGE FUEL SYSTEM SYSTEME CARBURANT	<b>03</b>
		ELEKTRISCHE ANLAGE ELECTRICAL SYSTEME SYSTEME ELICTRIQUE	<b>04</b>
		LENKUNG / VORDERACHSE STEERING SYSTEM / FRONT AXLE SYSTEME DE DIRECTION / ESSIEU AVANT	<b>05</b>
		GETRIEBE / HINTERACHSE POWER TRAIN / REAR AXLE TRANSMISSION / PONT ARRIERE	<b>06</b>
		BREMSEN BRAKES FREINS	<b>07</b>
		HYDRAULIKANLAGE HYDRAULIC SYSTEM SYSTEME HYDRAULIQUE	<b>08</b>
		AUFBAU / KABINE / ANHÄNGEVORRICHTUNGEN CHASSIS / CAB / HITCHES CHASSIS / CABINE / ATTELAGES	<b>09</b>
		NUMMERNVERZEICHNIS NUMERICAL INDEX INDEX NUMERIQUE	<b>10</b>

0.01(02) HOOFDSECTIES

Ref	Onderdeelnummer	Kwt	Beschrijving



	<b>Bezeichnung Beschrijving</b>	<b>Description Denominacion</b>	<b>Description Beskrivelse</b>	<b>Descrizione Denominação</b>
ASSY	KOMPL. EINHEIT MONTAGEGROEP	ASSEMBLY MONTAJE	ENSEMBLE AGGREGAT	COMPLESSIVO GRUPO
AR	NACH BEDARF NAAR BEHOEFTE	AS REQUIRED SEGÚN NECESIDAD	SELON BESOIN EFTER BEHOV	A RICHIESTA SEGUNDO NECESSIDADE
NS	NICHT LIEFERBAR NIET BESCHIKBAAR	NOT SERVICED NO DISPONIBLE	PAS DISPONIBLE IKKE DISPONIBEL	NON DISPONIBILE NÃO DISPONIVEL
NSS	NICHT SEPARAT LIEFERBAR NIET AFZOND. BESCHIKB.	NOT SERVICED SEPARATELY NO DISPON.PAR SEPARADO	PAS DISPON. SEPAR. IKKE DISPON.SEPARAT	NON DISPONIBILE SEPARATAM. NÃO DISPON.EM SEPARADO
INCL.	ENTHÄLT BEVAT	INCLUDES INCLUYE	COMPREND INDKLUDEERER	COMPRENDE INCLUI
(2,3)	ENTHÄLT BEVAT	INCLUDES INCLUYE	COMPREND INDKLUDEERER	COMPRENDE INCLUI
LH	LINKS LINKS	LEFT HAND MANO IZQUIERDA	COTE GAUCHE VENSTRE	LATO SINISTRO MÃO ESQUERDA
RH	RECHTS RECHTS	RIGHT HAND MANO DERECHA	COTE DROIT HØJRE	LATO DESTRO MÃO DIREITA
SEE FIGURE	SIEHE ABBILDUNG ZIE AFBEELDING	SEE FIGURE VERSE FIGURA	VOIR FIGURE SE FIGUR	VEDERE FIGURA VEJA FIGURA
THK.	STÄRKE DIKTE	THICKNESS ESPESAR	EPAISSEUR TYKKELSE	SPESSORE ESPESSURA
Ø or DIA.	DURCHMESSER DIAMETER	DIAMETER DIAMETRO	DIAMETRE DIAMETER	DIAMETRO DIÁMETRO
I.D.	INNENDURCHMESSER BINNENDIAMETER	INSIDE DIAMETER DIAMETRO INTERIOR	DIAMETRE INTER. INDVENDIG DIAMETER	DIAMETRO INTERNO DIÁMETRO INTERNO
O.D.	AUSSENDURCHMESSER BUITENDIAMETER	OUTSIDE DIAMETER DIAMETRO EXTERIOR	DIAMETRE EXTERIEUR UDVENDIG DIAMETER	DIAMETRO ESTERNO DIÁMETRO EXTRIOR
ACC	ZUBEHÖR TOEBEHOREN	ACCESSORY ACCESORIO	ACCESSOIRE TILBEHØR	ACCESSORIO ACESSORIO
OPT	WAHLWEISE OPTIE	OPTION OPCIONES	FACULTATIF ALTERNATIV	ALTERNATIVA OPÇIONAL
P.T.O.	ZAPFWELLE AFTAKAS	POWER TAKE-OFF TOMA DE FUERZA	PRISE DE FORCE KRAFTUDTAG	PRESA DI FORZA TOMADA DE FORÇA
T or Z=	ZAHMEN TANDEN	TEETH DIENTES	DENTS TÆNDER	DENTI DENTES
L	LANG LENGTE	LENGTH LARGO	LONG LÆNGDE	LUNGHEZZA COMPRIMENTO
FRONT	VORN VOORAAN	FRONT DELANTERO	AVANT FORAN	ANTERIORE DIANTEIRO
REAR	HINTERE ACHTERAAN	REAR TRASERO	ARRIERE BAG	POSTERIORE TRASEIRO
LOWER	SENKEN ONDER	LOWER BAJAR	INFERIEUR NEDRE	INFERIORE INFERIOR
UPPER	OBER BOVEN	UPPER DE ARRIBA	SUPERIEUR ØVRE	SUPERIORE SUPERIOR
H.F.	GEHÄRT VERHARD	HARD FACE TEMPRA	TEMPRE HÆRDED	TEMPRA TO TEMPERADO
WITH or W/	MIT MET	WITH CON	AVEC MED	CON COM
WITHOUT or L/	OHNE ZONDER	WITHOUT SIN	SANS UDEN	SENZA SEM
NA	NORD-AMERICA NOORD-AMERIKA	NORTH AMERICA NORTE AMÉRICA	ETATS-UNIS DU NORD NORDAMERIKA	NORD AMERICA AMÉRICA DO NORTE
NLS	NICHT MEHR ERHÄLTlich NIET LANGER GELEVERD	NO LONGER SERVICED YA NO SE SUMINISTRA	PLUS DISPO.EN SERVICE SERVICERES IKKE MERE	NON PIU' DISPONIBILE A RICAMBIC NÃO MAIS DISPONÍVEL EM SERVIÇO
PL	ÖRTLICH ZU BESCHAFFEN LOKAAL AANKOPEN	PROCURE LOCALLY ADQUIRIR EN PLAZA	PROCURER LOCALEMENT FREMSKAFFES LOKALT	DA PROCURARE IN LOCO PROCURA LOCAL
OW	:BEZUBEHÖR.LO.G.ZU BESTELLEN BESTELLEN ALS STUKGOED	ORDER THROUGH WHOLEGOODS PEDIR COMO MERCANCÍA GENERAL	COMMANDER EN FOURNITURE BESTIL GENNEM.MASKINSALG	ORDINARE TRAMITE MAGAZZINO ENCOMENDA POR MERCADORIAS
OC	BESTELLPOSTEN COMPONENTEN BESTELLEN	ORDER COMPONENTS PEDIR COMPONENTES	COMMANDER COMPOSANTS BESTIL KOMPONENTER	ORDINARE COMPONENTI ENCOMENDA DE COMPONENTES

0.05(01) AFKORTINGEN

Ref	Onderdeelnummer	Kwt	Beschrijving

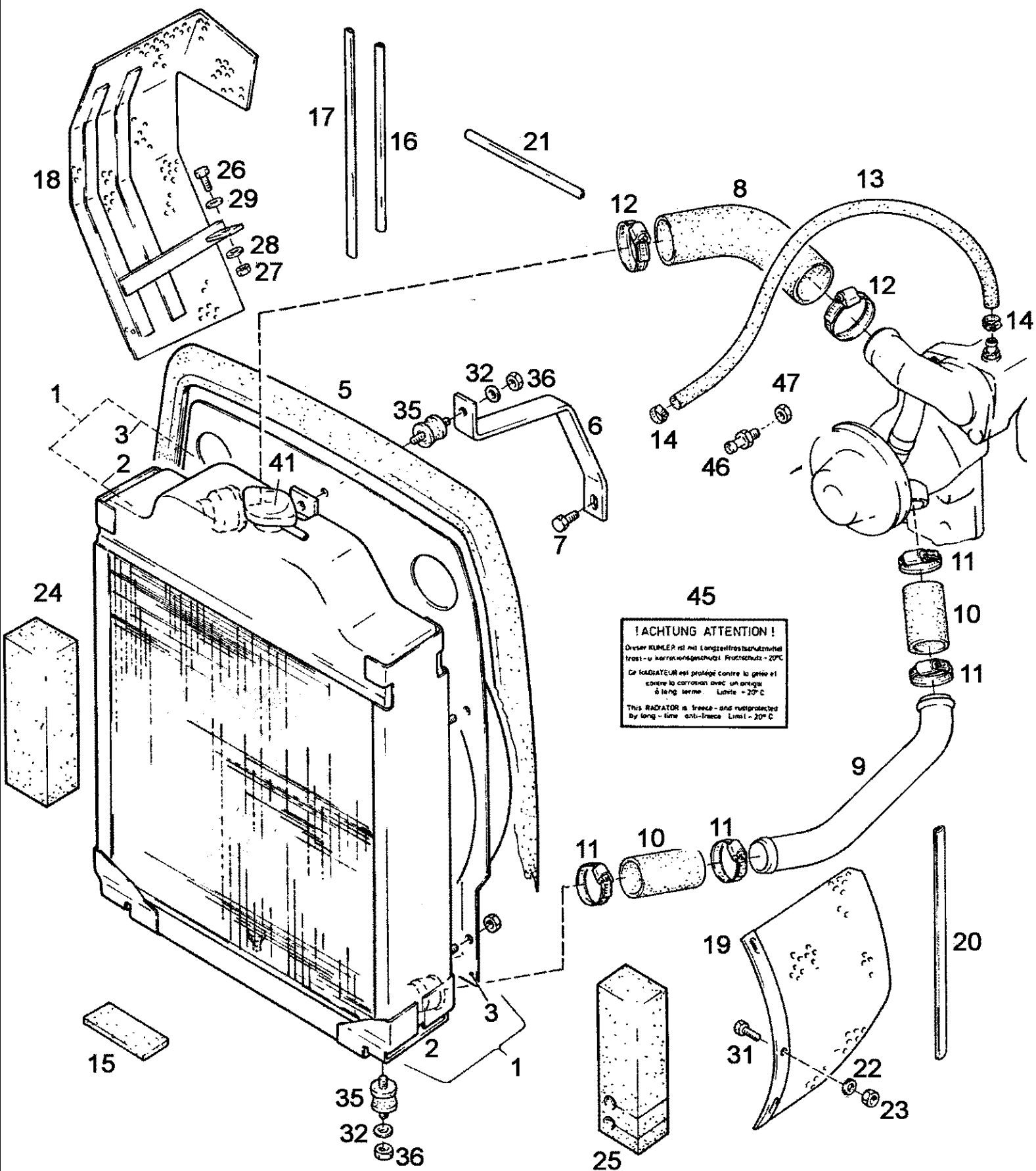
Die Zollbruchteile und Zolldezimalen den Millimetern entsprechen  
Inch Fractions and Decimals to Millimeter Equivalents  
Les fractions et les décimales du pouce équivalent aux millimètres  
Brøkerne og decimalerne for tommer svarer til millimeter

Le frazioni e i decimali del pollice equivalgono al millimetri  
Las fracciones y los decimales de la pulgada equivalen a los milímetros  
As fracções e os decimais de polegada equivalem a milímetros  
Het equivalent tussen de breuken en de decimalen van een duim naar millimeters

INCHES		MM	INCHES		MM	INCHES		MM	INCHES		MM
Fraction	Decimal		Fraction	Decimal		Fraction	Decimal		Fraction	Decimal	
-	.0004	.10	-	.3	7.620	-	.7874	20	-	1.969	50
-	.001	.025	5/16	.3125	7.938	51/64	.7969	20.241	2	2.000	50.8
-	.0039	.10	-	.3150	8	13/64	.8125	20.638	2-1/8	2.125	54
-	.005	.127	21/64	.3281	8.334	-	.8268	21	-	2.165	56
-	.0079	.2	-	.3346	8.5	53/64	.8281	21.034	2-1/4	2.250	57.2
-	.0098	.25	11/32	.3438	8.731	27/32	.8438	21.431	-	2.362	60
-	.01	.254	-	.3543	9	55/64	.8594	21.828	2-3/8	2.375	60.3
-	.0118	.3	23/64	.3594	9.128	-	.8662	22	2-1/2	2.500	63.5
1/64	.0156	.397	-	.3740	9.5	7/8	.8750	22.225	-	2.559	66
-	.0157	.4	3/8	.375	9.526	57/64	.8906	22.622	2-5/8	2.625	66.7
-	.0197	.5	25/64	.3908	9.922	-	.9	22.860	2-3/4	2.750	69.9
-	.0236	.6	-	.3937	10	-	.9055	23	-	2.756	70
-	.025	.635	-	.4	10.160	29/32	.9063	23.019	2-7/8	2.850	73
-	.0276	.7	13/32	.4062	10.319	59/64	.9219	23.416	-	2.953	75
-	.0295	.75	-	.4134	10.5	15/16	.9375	23.813	3	3.000	76.2
1/32	.0313	.794	27/64	.4219	10.716	-	.9449	14	-	3.150	80
-	.0315	.8	-	.4331	11	61/64	.9531	24.209	3-1/4	3.250	82.6
-	.0354	.9	7/16	.4375	11.113	31/32	.9688	24.608	-	3.346	85
-	.0394	1	29/64	.4531	11.509	-	.9843	25	3-1/2	3.500	88.9
3/64	.0469	1.191	15/32	.4688	11.906	1	1.000	25.400	-	3.543	90
-	.0472	1.2	-	.4724	12	-	1.024	26	-	3.740	95
-	.05	1.270	31/64	.4844	12.303	1-1/16	1.062	26.988	3-3/4	3.750	95.3
-	.0551	1.4	-	.4921	12.5	-	1.063	27	-	3.937	100
-	.0591	1.5	1/2	.5	12.700	-	1.102	28	4	4.000	101.6
1/16	.0625	1.588	-	.5118	13	1-1/8	1.125	28.575	-	4.331	110
-	.0669	1.7	33/64	.5156	13.097	-	1.142	29	4-1/2	4.500	114.3
-	.075	1.905	17/32	.5326	13.494	-	1.181	30	-	4.724	120
5/64	.0781	1.984	-	.5315	13.5	1-3/16	1.188	30.16	5	5.000	127
-	.0787	2	35/64	.5469	13.891	-	1.221	31	-	5.118	130
-	.0906	2.3	-	.5512	14	1-1/4	1.250	31.75	5-1/2	5.500	139.7
3/32	.0938	2.381	9/16	.5625	14.288	-	1.260	32	-	5.512	140
-	.0984	2.5	-	.571	14.5	-	1.299	33	-	5.906	150
-	.1	2.540	37/64	.5781	14.684	1-5/16	1.312	33.34	6	6.000	152.4
-	.1024	2.6	-	.5906	15	-	1.339	34	-	6.299	160
7/64	.1093	2.776	19/32	.5938	15.081	1-3/8	1.375	34.93	6-1/2	6.500	165.1
-	.1181	3	-	.6	15.240	-	1.378	35	7	7.000	177.8
1/8	.125	3.175	39/64	.6094	15.478	-	1.417	36	-	7.087	180
-	.1378	3.5	-	.6103	15.5	1-7/16	1.438	36.51	7-1/2	7.500	190.5
9/64	.1406	3.572	5/8	.6250	15.875	-	1.457	37	-	7.874	200
5/32	.1563	3.969	-	.6299	16	-	1.496	38	8	8.000	203.2
-	.1575	4	41/64	.6406	16.272	1-1/2	1.500	38.10	8-1/2	8.500	215.8
11/64	.1719	4.366	-	.6496	16.5	-	1.535	39	-	8.661	220
-	.1772	4.5	21/32	.6563	16.669	1-9/16	1.562	39.69	9	9.000	228.6
3/16	.1875	4.763	-	.6693	17	-	1.575	40	-	9.449	240
-	.1969	5	43/64	.6719	17.066	-	1.614	41	9-1/2	9.500	241.3
-	.2	5.080	11/16	.6875	17.463	1-5/8	1.625	41.28	-	9.843	250
13/64	.2031	5.169	-	.6890	17.5	-	1.6544	42	10	10.000	254
-	.2165	5.5	-	.7	17.780	1-11/16	1.688	42.86	-	10.236	260
7/32	.2188	5.558	45/64	.7031	17.859	-	1.693	43	11	11.000	279.4
15/64	.2344	5.953	-	.7087	18	-	1.732	44	-	11.024	280
-	.2362	6	23/32	.7188	18.256	1-3/4	1.750	44.45	-	11.811	300
1/4	.25	6.360	-	.7283	18.5	-	1.772	45	12	12.000	304.8
-	.2559	6.5	47/64	.7344	18.653	-	1.811	46	13	13.000	330.2
17/64	.2656	6.747	-	.7480	19	1-13/46	1.813	46.04	-	13.780	350
-	.2756	7	3/4	.75	19.050	-	1.850	47	14	14.000	355.6
9/32	.2813	7.144	49/64	.7656	19.447	1-7/8	1.875	47.63	15	15.000	381
-	.2953	7.5	-	.7677	19.5	-	1.890	48	-	15.748	400
19/64	.2969	7.541	25/32	.7813	19.844	-	1.929	49	16	16.000	408.4

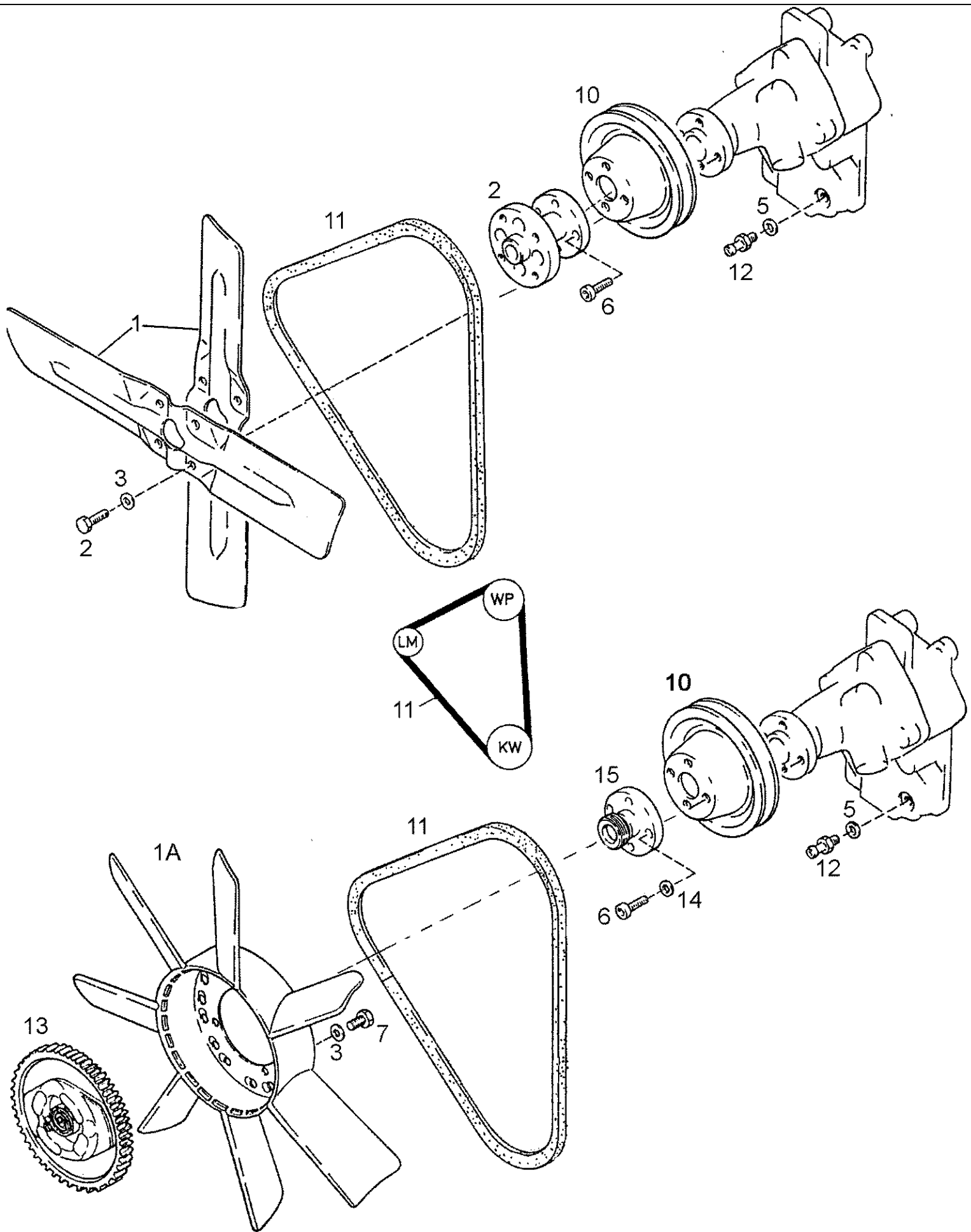
Ref	Onderdeelnummer	Kwt	Beschrijving





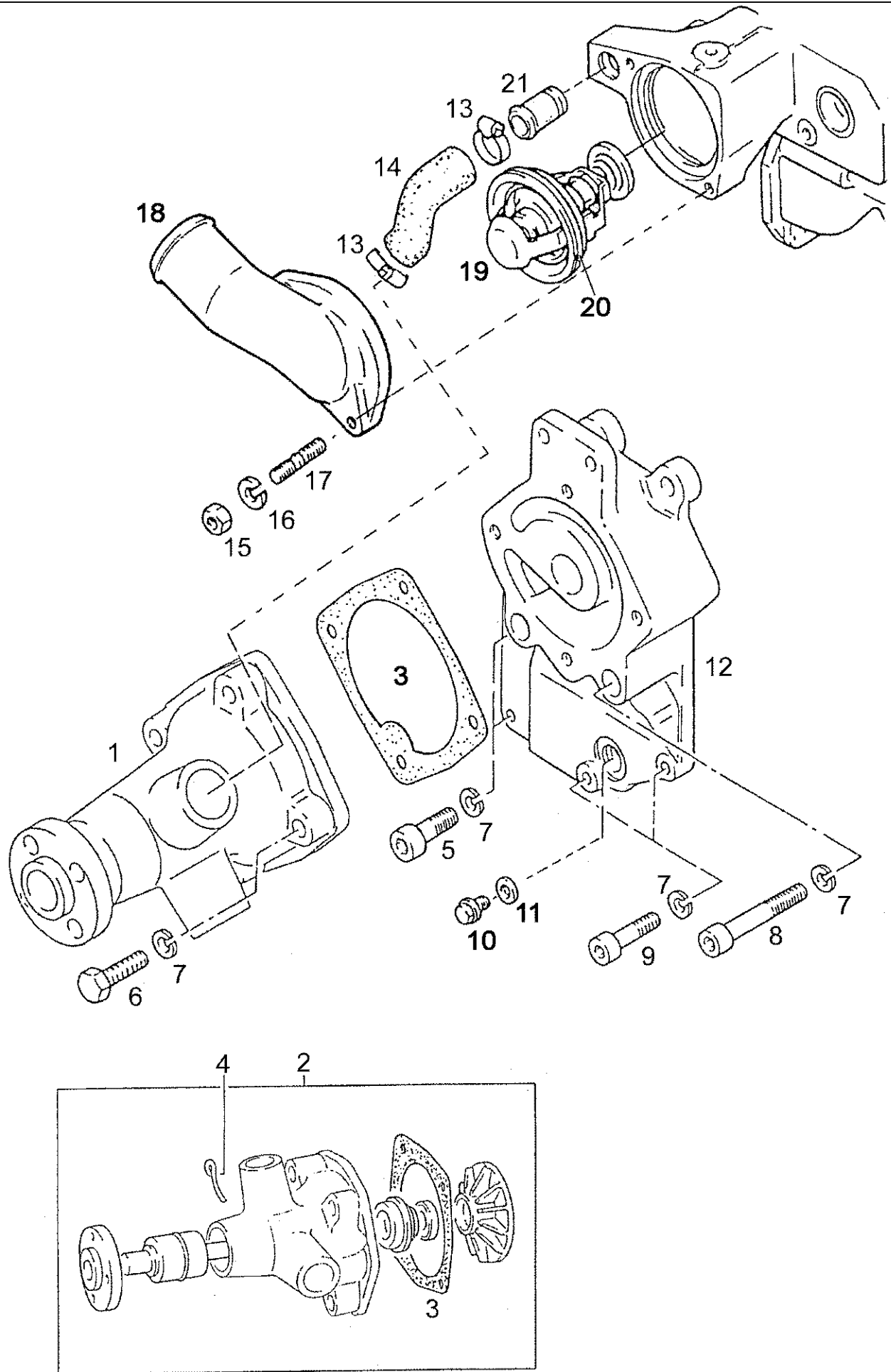
## 02-01(01) RADIATOR AND CONNECTIONS

Ref	Onderdeelnummer	Kwt	Beschrijving
1	1-33-153-002	1	COOLER ASSY., , Besteht aus/Consists of/Compose de/Bestående af/È composto da 2, 3
2	1-33-153-074	1	COOLER ASSY.,
3	1-33-153-085	1	LEIDING,
5	1-33-153-091	1	DICHTINGSSTUK,
6	1-33-153-102	1	SUPPORT,
7	190003802415	1	SCHROEF, , M8x18-8.8
8	1-33-153-027	1	FLEXIBELE BUIS,
9	1-33-153-127	1	ELLEBOOG,
10	161000060224	2	FLEXIBELE BUIS, , 38x48
11	190003989305	4	SPANHULS, , 32/48
12	190003989308	2	KLEM, , 44/60
13	190003169623	1	FLEXIBELE BUIS, , Ø8x15mm, Länge/Length/Longuer/Længde/Lunghezza 370mm
14	190003989300	2	CLAMP, , 13/16
15	133700530099	1	STRIP, SEALING, , 40x100x4
16	190003171689	1	PROFIEL, , K-8343, Länge/Length/Longuer/Længde/Lunghezza 265mm
17	190003171689	1	PROFIEL, , K-8343, Länge/Length/Longuer/Længde/Lunghezza 325mm
18	1-33-153-136	1	COVER, PROTECTIVE, , Rechts/Right/Droite/Højre/Destra
19	1-33-153-142	1	BESCHERMPLAAT, , Links/Left/Gauche/Venstre/Sinistro
20	190003171689	1	PROFIEL, , K-8343, Länge/Length/Longuer/Længde/Lunghezza 325mm
21	190003171689	1	PROFIEL, , K-8343, Länge/Length/Longuer/Længde/Lunghezza 185mm
22	190003936101	3	SLUITRING, , 6,4-140HV-A3C
23	15896221	3	MOER, M6, CI 10, , M6-8-A2C, DIN934
24	1-33-153-033	1	DICHTINGSSTUK,
25	1-33-153-045	1	DICHTINGSSTUK,
26	86508568	2	BOUT, Hex, M6 x 16, 8.8,
27	15896221	5	MOER, M6, CI 10, , M6-8-A2C, DIN934
28	190003936101	5	SLUITRING, , 6,4-140HV-A3C
29	190003930251	2	SCHIJF, , A6,4-140HV-A3C
31	86508568	3	BOUT, Hex, M6 x 16, 8.8,
32	190003930261	6	SLUITRING, , A8,4
35	1-33-153-023	5	BEVESTIGING, RUBBER,
36	43362	5	MOER, M8, CI 10,
41	1-33-753-001	1	CAP, FILLER,
45	133700530209	1	DECAL,
46	130100110004	1	VERLOOPSTUK,
47	190003098010	1	DICHTINGSRING, , A10x13,5-CU





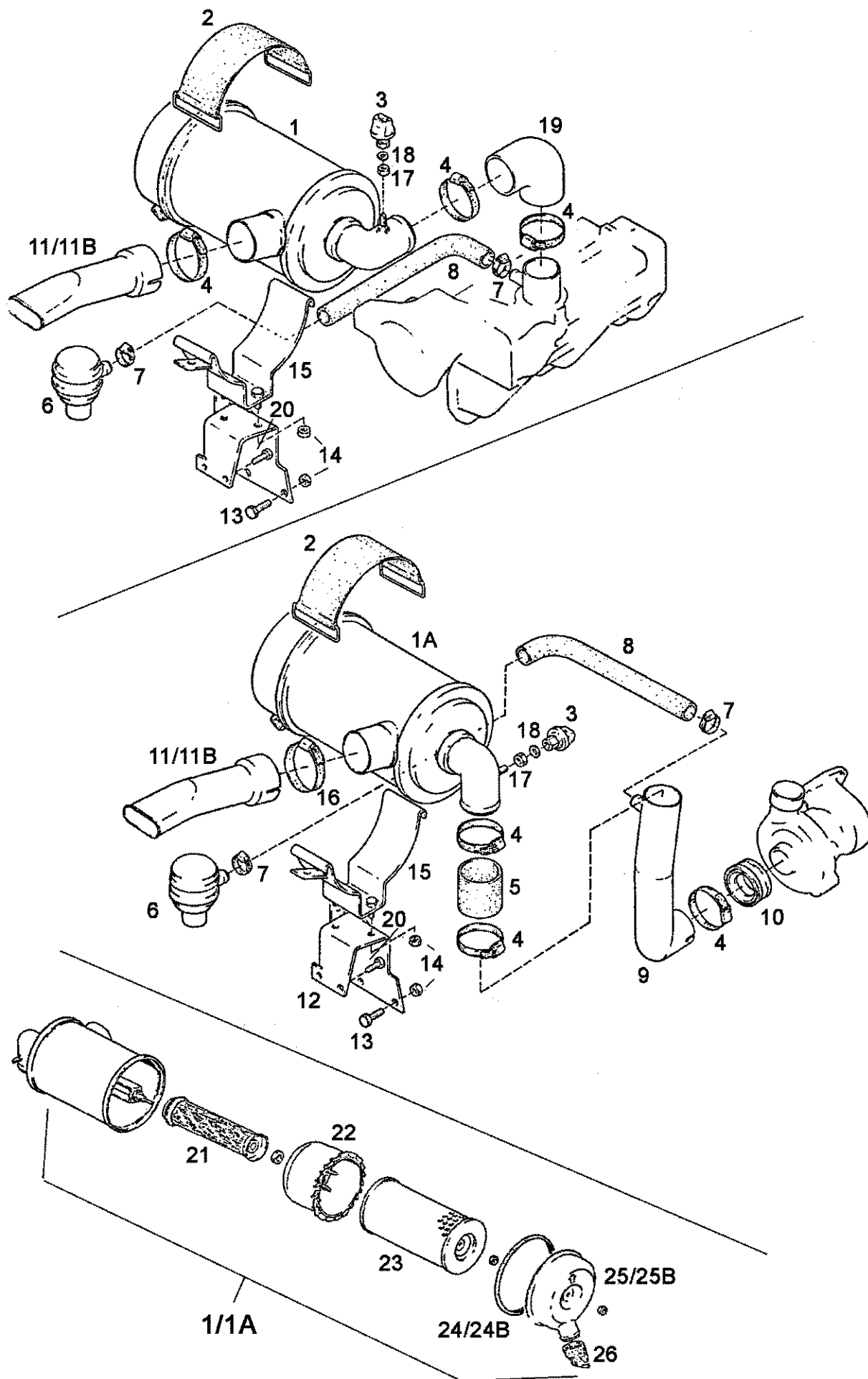
Ref	Onderdeelnummer	Kwt	Beschrijving
1	1409060023	2	LEIDING,
1A	131100060111	1	VENTILATOR,
2	130100060002	1	AFSTANDSRING,
3	190003932030	4	SCHIJFVEER, , A8-FST-A3C
5	190003098010	1	DICHTINGSRING, , A10x13,5-CU
6	190003862428	4	SCHROEF, , M8x25-8.8
7	16043224	4	BOUT, Hex, M8 x 16, 8.8, Full Thd,
10	130100060011	1	RIEMSCHIJF,
11	141100060014	1	RIEMEN, , 9,5 x 1300
12	130100110004	1	VERLOOPSTUK,
13	131100060110	1	NAAF,
14	190003931102	4	BORGRING, , A8
15	130100060013	1	FLENS,



955 STEYR TRACTOR (2/92-6/97) - Motor

02-03(01) WATER PUMP - THERMOSTAT

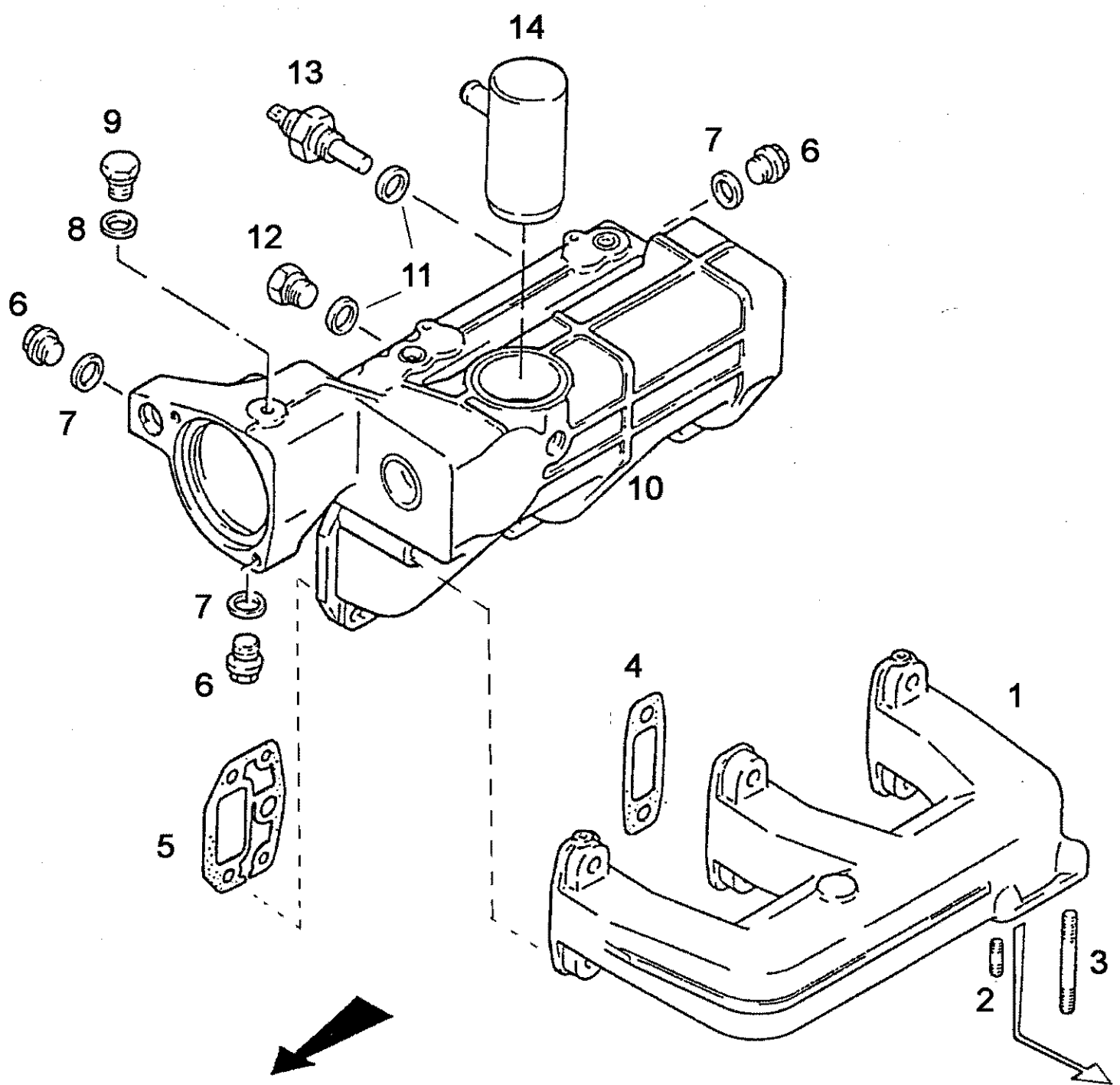
Ref	Onderdeelnummer	Kwt	Beschrijving
1	130100060703	1	WATERPOMP, , Besteht aus/Consists of/Compose de/Bestående af/È composto da 2 - 4
2	130100060702	1	WATERPOMP HERSTELLINGSKI, , Ohne Gehäuse/Without housing/Sans carter/Uden hus/Senza scatola
3	130100060701	1	DICHTINGSSTUK,
4	130100060704	1	BOORGVEER,
5	190003862430	2	SCHROEF, , M8x25-10.9
6	15213321	4	BOUT, Hex, M8 x 35, 8.8,
7	130100010705	10	RING,
8	190003860183	2	SCHROEF, , M8x65-10.9
9	190003862439	2	SCHROEF, , M8x35-10.9
10	190003962038	1	PLUG, Hex Wash Hd, M22 x 1.5, , A-M22x1,5
11	190003098026	1	DICHTINGSRING, , A22x27-CU
12	130100060707	1	HUIS,
13	190003989301	2	CLAMP, , 25/35
14	130100190705	1	FLEXIBELE BUIS,
15	190003871258	2	MOER, , M8x1-10
16	130100010705	2	RING,
17	190003811429	2	TAPEIND, , M8x30-8.8
18	130100190704	1	COVER,
19	130100061001	1	THERMOSTAT, , 85 C
19	130100060706	1	THERMOSTART, , 75 C
20	130100061002	1	DICHTINGSSTUK,
21	130100190702	1	BUISJE,



Ref	Onderdeelnummer	Kwt	Beschrijving
1	130100190007	1	LUCHTREINIGER, , Besteht aus/Consists of/Compose de/Bestående af/È composto da 21 - 26
2	130100190008	1	BAND,
3	161200190040	1	SENSOR,
4	190003989310	4/3	CLAMP, , 51/70
5	130185190008	1	SLANG, GROOT, , 60x70, Länge/Length/Longuer/Længde/Lunghezza 90mm
6		1	, ÖLABSCHEIDER/OIL EXTRACTOR/DEGRAISSANT - Siehe nächste Seite(n)/See next page(s)/Voir page(s) suivante(s)/Se næste side(r)/Vedere pagin(a/e) sequent(e/i)
7	162000530151	2	SLANGKLEM, , 20/32
8	130100190011	1	FLEXIBELE BUIS, , 22x31
9	130185190002	1	BUISJE,
10	130185190007	1	JOINT, RUBBER,
11	130185190050	1	BUISJE, , Wahlweise/Optional/En option/Efter valg/A scelta - Nur mit/Only with/Selement avec/Kun med/Solo con 24, 25 , Bei Blechfiltertopf/With sheet filter bowl/Avec pot de filtre en tôle/Ved stålfilterhus/Con bicchiere del filtro in lamiera
11	130185190060	1	BUISJE, , Wahlweise/Optional/En option/Efter valg/A scelta - Nur mit/Only with/Selement avec/Kun med/Solo con 24, 25 , Bei Blechfiltertopf/With sheet filter bowl/Avec pot de filtre en tôle/Ved stålfilterhus/Con bicchiere del filtro in lamiera
11A	130100190009	1	BUISJE, , Nur mit/Only with/Selement avec/Kun med/Solo con 24A, 25A - Bei Kunststofffiltertopf/With plastic filter bowl/Avec pot de filtre en matière plastique/Ved plastfilterhus/Con bicchiere del filtro in materia plastica
12	130185190001	1	GUIDE, LEVERS,
13	190003802527	4/2	SCHROEF, , M10x30-8.8
14	100016	6/4	MOER, M10, CI 8,
15	130185190004	1	GUIDE, LEVERS,
16	190003989303	1	CLAMP, , 60/79
17	190003871517	1	MOER, , M10x1-05-A3C-DIN936
18	190003098011	1	DICHTINGSRING, , A10x16-CU
19	131100190025	1	FLEXIBELE BUIS,
20	43127	2/1	BOU, Hex, M8 x 25, 8.8,
20	43128	2/1	BOU, Hex, M8 x 30, 8.8,
21	141185190007	1	LUCHTREINIGER,
22	130100190709	1	VERDEELPLAAT,
23	141185190010	1	FILTERELEMENT,
24	130100190707	1	DICHTINGSSTUK, , Nur mit/Only with/Selement avec/Kun med/Solo con 11, 25 - Bei Blechfiltertopf/With sheet filter bowl/Avec pot de filtre en tôle/Ved stålfilterhus/Con bicchiere del filtro in lamiera
24A	130100190712	1	O-RING, , Nur mit/Only with/Selement avec/Kun med/Solo con 11A, 25A - Bei Kunststofffiltertopf/With plastic filter bowl/Avec pot de filtre en matière plastique/Ved plastfilterhus/Con bicchiere del filtro in materia plastica

## 02-04(01) AIR INDUCTION SYSTEM

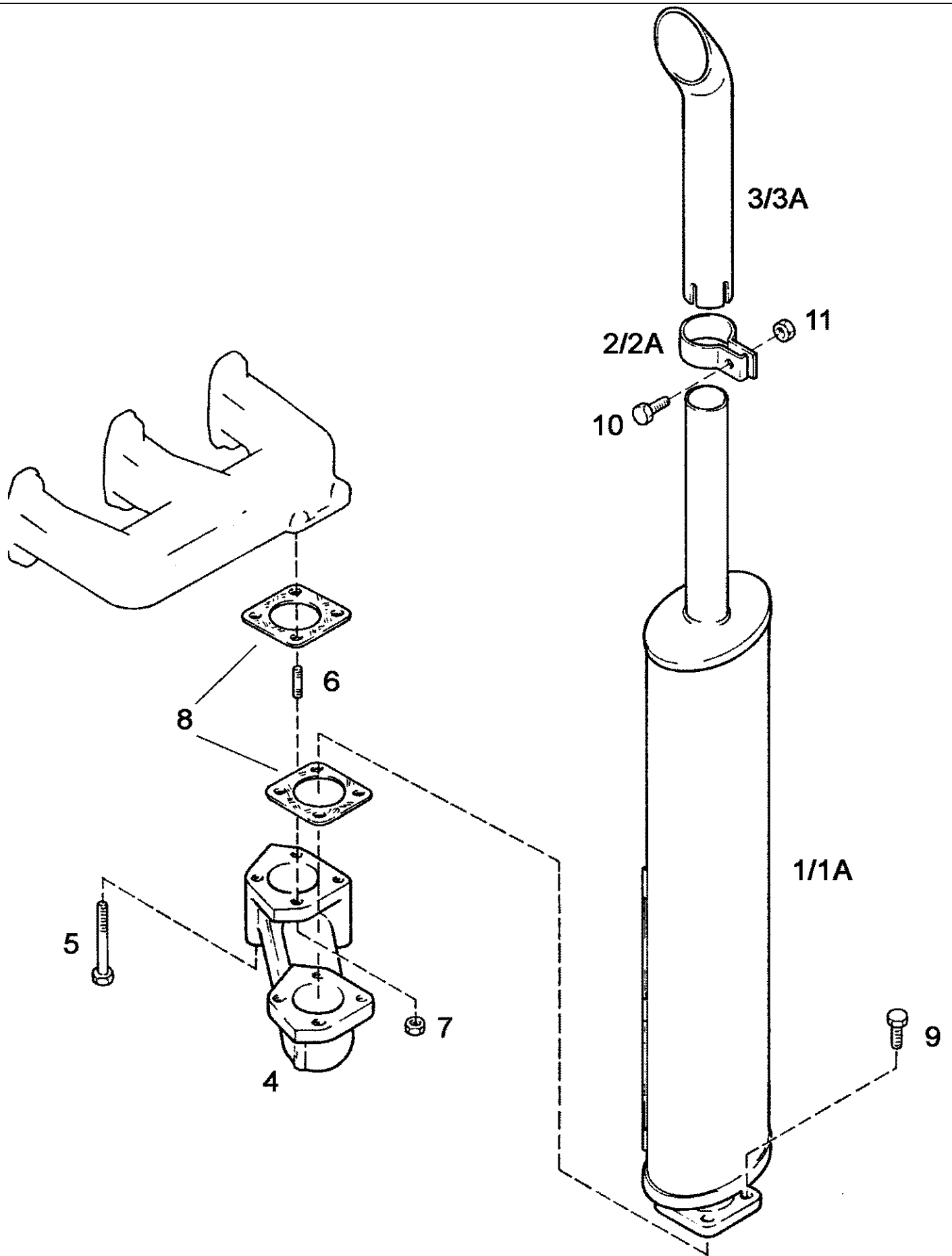
Ref	Onderdeelnummer	Kwt	Beschrijving
25	130100190706	1	COVER, , Nur mit/Only with/Selement avec/Kun med/Solo con 11, 24 - Bei Blechfiltertopf/With sheet filter bowl/Avec pot de filtre en tôle/Ved stålfilerhus/Con bicchiere del filtro in lamiera
25A	130100190711	1	COVER, , Nur mit/Only with/Selement avec/Kun med/Solo con 11A, 24A - Bei Kunststofffiltertopf/With plastic filter bowl/Avec pot de filtre en matière plastique/Ved plastfilterhus/Con bicchiere del filtro in materia plastica
26	130100190708	1	POPPET, VALVE,



## 02-07(01) EXHAUST PIPE

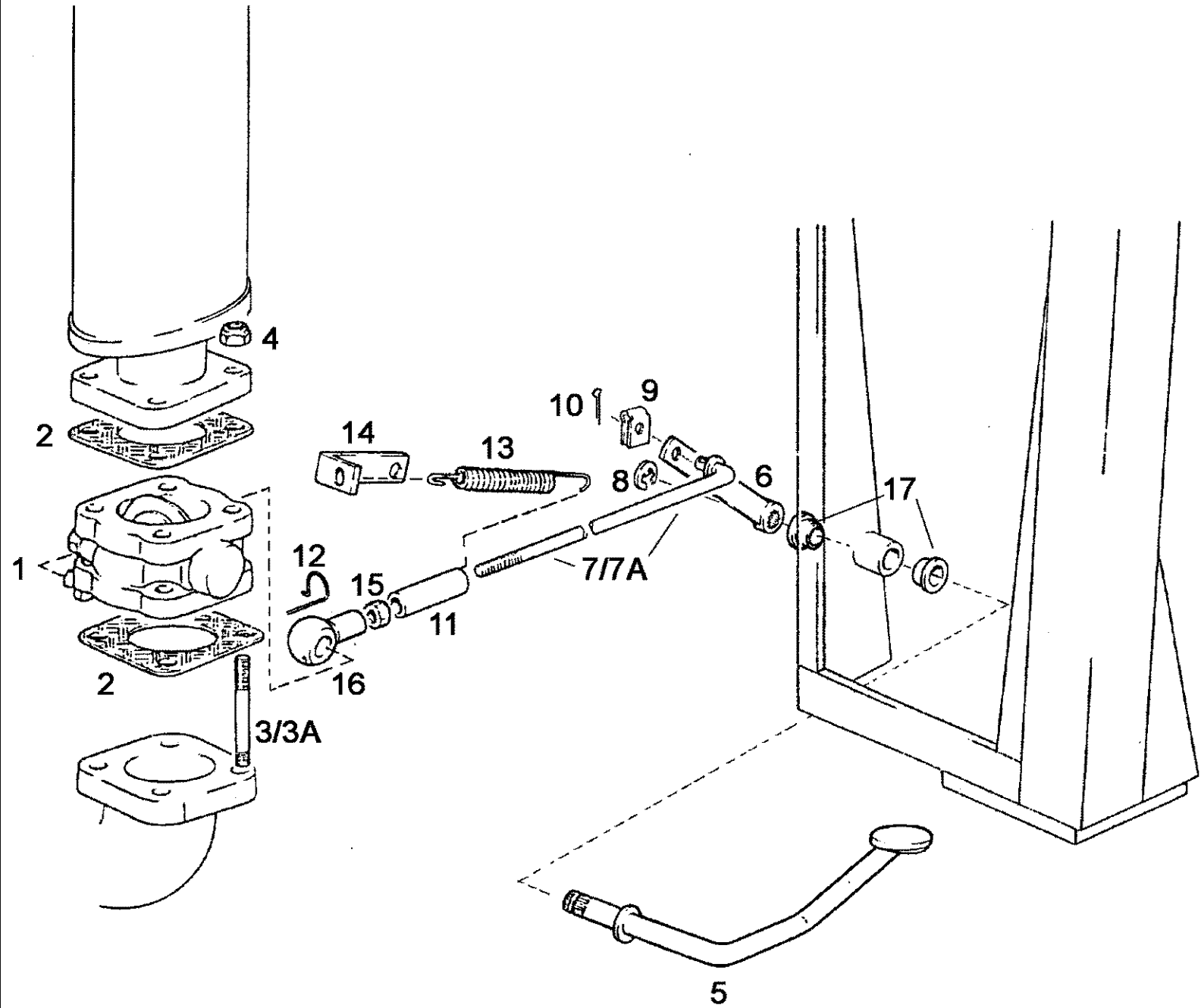
Ref	Onderdeelnummer	Kwt	Beschrijving
1	130142110701	1	BUISJE,
2	190003810003	1	TAPEIND, , M10X25-8.8-C3P
3	190003813596	3	TAPEIND, , M10x90-8.8-C3P
4	130100110701	3	DICHTINGSSTUK,
5	130100190703	3	DICHTINGSSTUK,
6	190003882227	3	SCHROEF, , M22x1,5
7	190003098026	3	DICHTINGSRING, , A22x27-CU
8	190003098010	1	DICHTINGSRING, , A10x13,5-CU
9	190003962014	1	PLUG, Hex Wash Hd, M10 x 1, , A-M10x1
10	130142190701	1	BUISJE,
11	190003098014	2	DICHTINGSRING, , A14x18-CU-DIN7603
12	190003962025	1	PLUG, Hex, M14 x 1.5, , A-M14x1,5
13	161200090006	1	SENDOR, TEMPERATURE, , Siehe Kapitel 04/See chapter 04/Voir chapitre 04/Se kapitel 04/Vedere capitolo 04
14	130100110003	1	BUISJE,





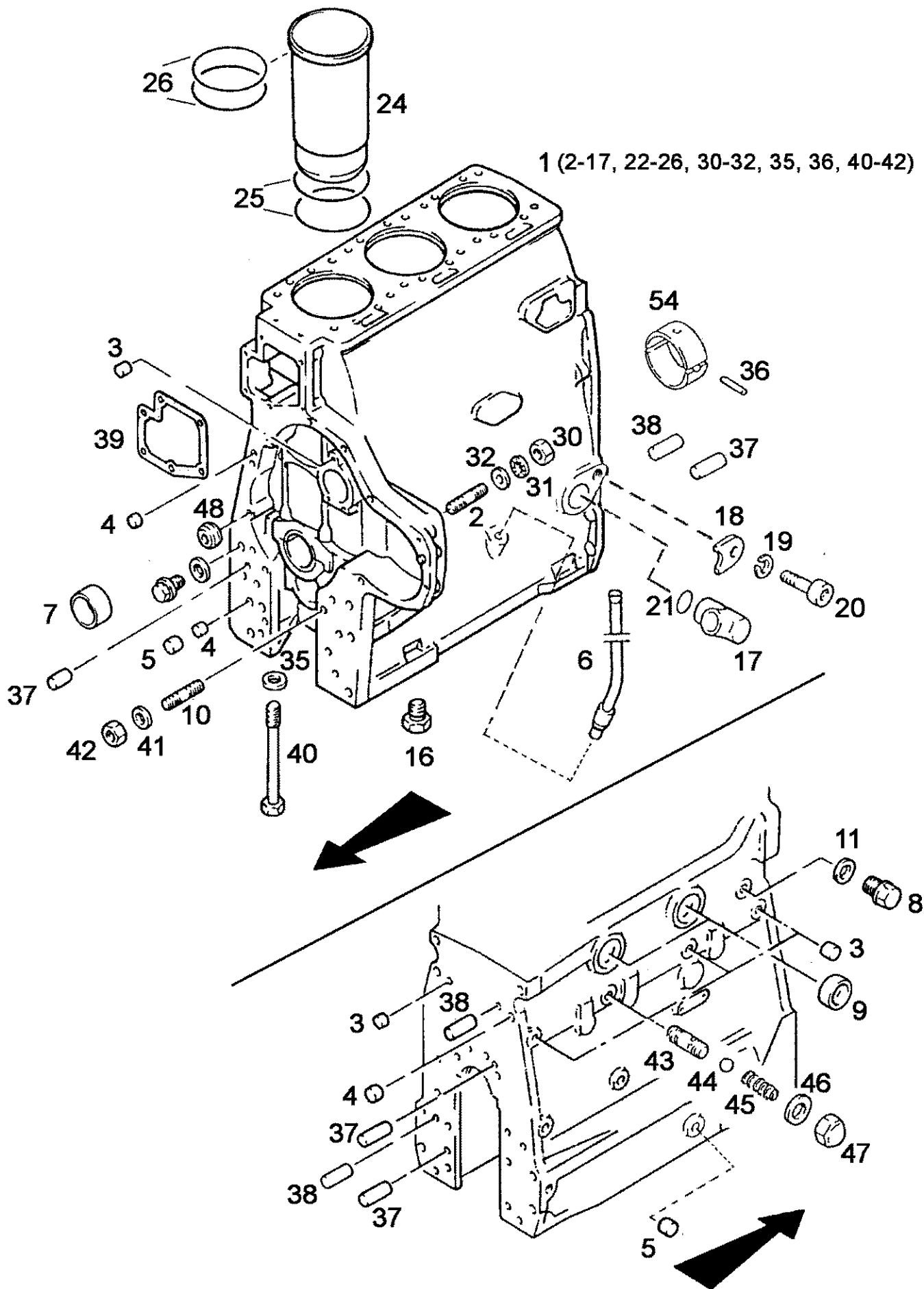
## 02-09(01) EXHAUST SYSTEM

Ref	Onderdeelnummer	Kwt	Beschrijving
1	1-33-154-112	1	KNALPOT, , Ersetzt/Replaces/Remplace/Udskiftet/Sostituisce 1-33-154-014
1A	1-33-154-022	1	KNALPOT, , Mit Katalysator/With catalyst/Avec catalysateur/Med katalysator/Con catalizzatore
2	190003990273	1	LEIDINGKLEM, , DIN 71555 -48,5-LA
2A	190003990274	1	LEIDINGKLEM, , DIN 71555 -60,5-LA, Mit Katalysator/With catalyst/Avec catalysateur/Med katalysator/Con catalizzatore
3	1-33-154-021	1	BUISJE,
3A	1-33-154-019	1	BUISJE, , Mit Katalysator/With catalyst/Avec catalysateur/Med katalysator/Con catalizzatore
4	130100540003	1	ELLEBOOG,
5	190003800377	3	SCHROEF, , M10x85-8.8-C3P
6	190003810003	1	TAPEIND, , M10X25-8.8-C3P
7	190003888470	1	MOER, , VM10-8-C3P
8	131100110011	2	DICHTINGSSTUK,
9	190003802521	4	SCHROEF, , M10X25-8.8-C3P
10	190003800376	1	SCHROEF, , M8x30-8.8
11	43362	1	MOER, M8, CI 10,



## 02-11(01) EXHAUST BRAKE

Ref	Onderdeelnummer	Kwt	Beschrijving
1	133700540107	1	BRAKE,
2	131100110011	2	DICHTINGSSTUK,
3	190003813596	4	TAPEIND, , M10x90-8.8-C3P
4	190003880212	4	MOER, , M10-8-C3P
5	1-33-154-034	1	BRAKE LEVER,
6	1-33-154-026	1	HEFBOOM,
7	1-33-154-027	1	STANG,
8	190003936617	1	SLUITRING, , 9
9	1397750128	1	VEER,
10	190003920221	1	SPLITPEN, , 3,2x18
11	135700730117	1	AFSTANDSSTUK VOOR BUIZEN, , l=33mm
12	190003936514	1	SCHARNIER, , S13
13	1288570057	1	SPRING, TENSION,
14	1-99-974-236	1	HOEKSTUK,
15	43362	1	MOER, M8, CI 10,
16	190003963623	1	KOGELGEWRICHT, , B13
17	1-34-643-110	2	LAGERBUS, , Ø 12,15

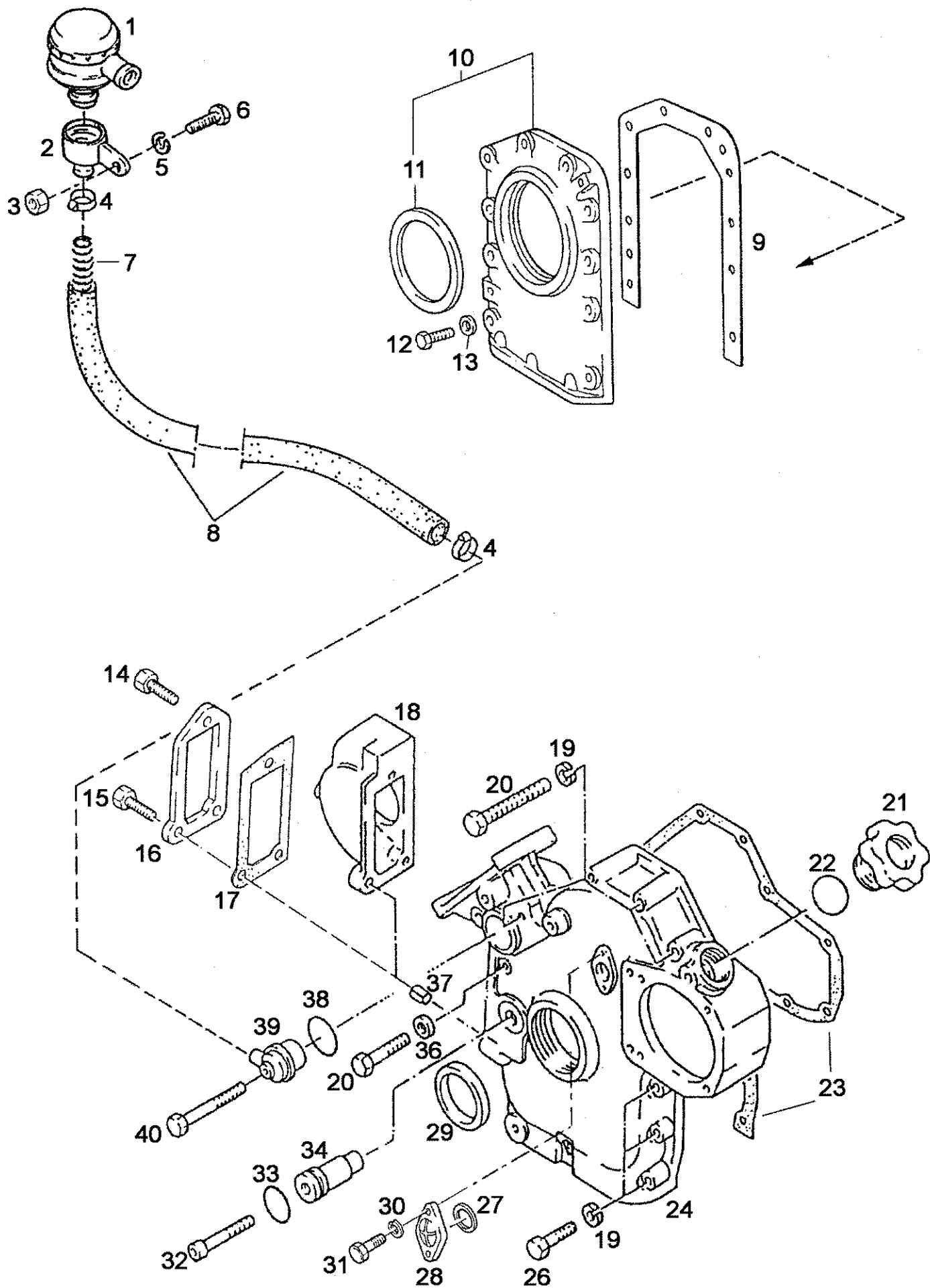


## 955 STEYR TRACTOR (2/92-6/97) - Motor

## 02-12(01) CRANKCASE

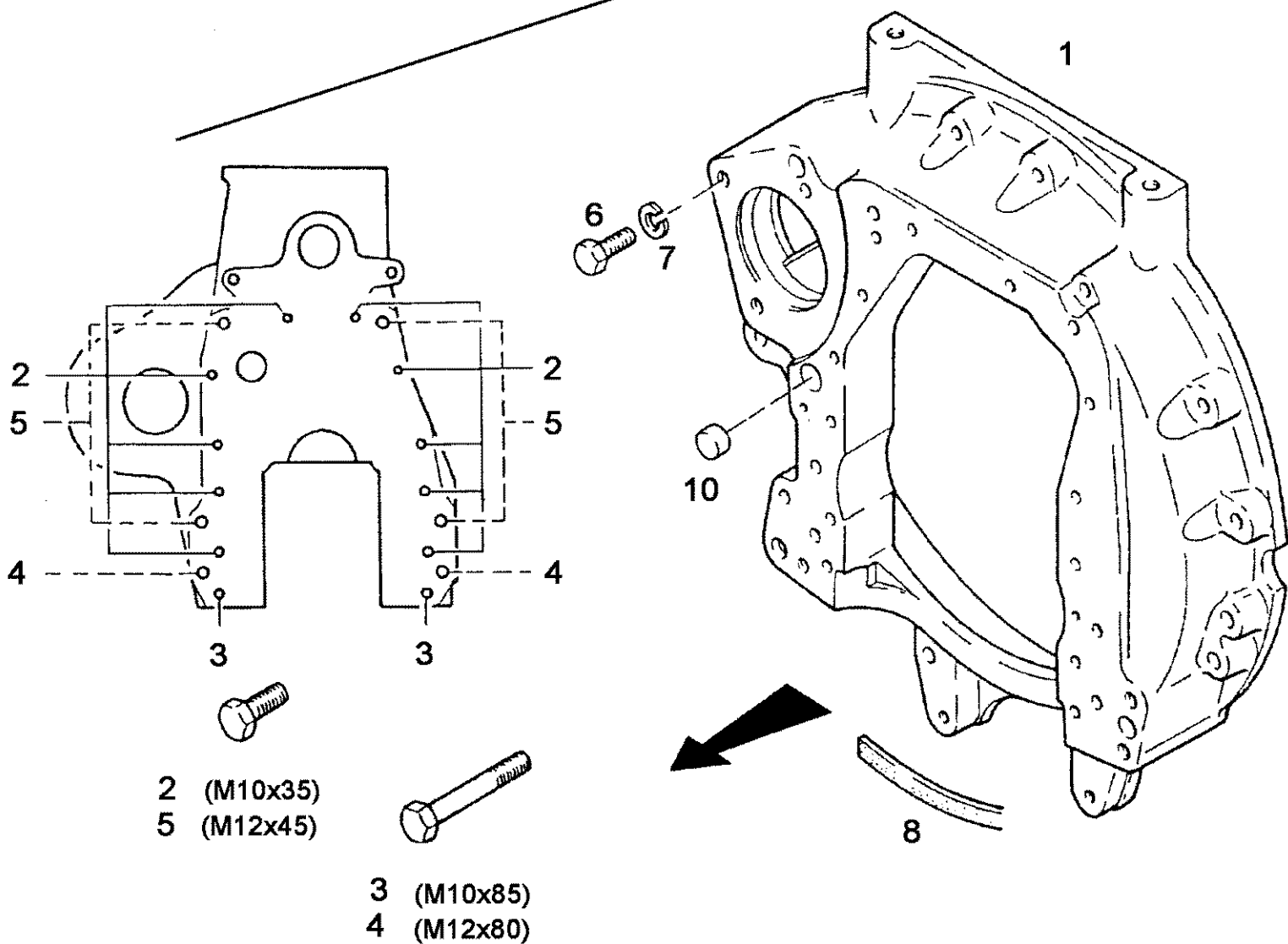
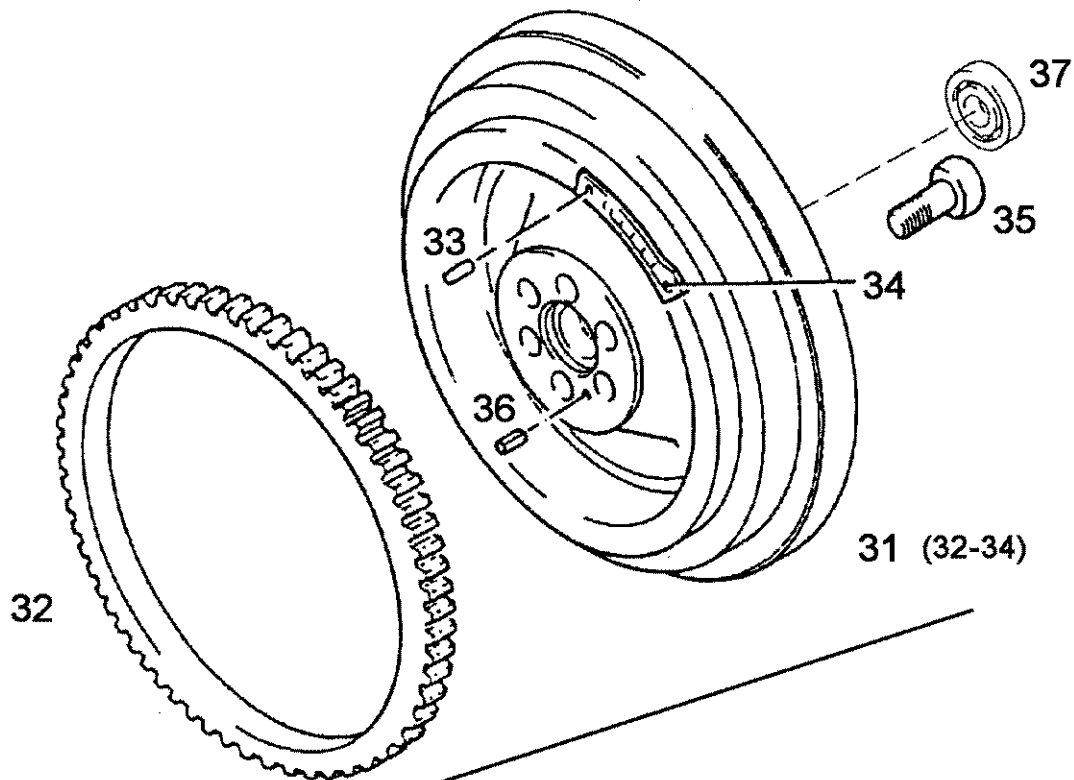
Ref	Onderdeelnummer	Kwt	Beschrijving
1	130142010701	1	MOTORBLOK, , Einschließlich/Includes/Avec/Inklusive/Compreso 2 - 17, 22 - 26, 30 - 32, 35, 36, 40 - 42
2	190003813537	4	TAPEIND, , M10x35-8.8
3	130100010723	7	SPOEL,
4	130100010724	3	SPOEL,
5	130100010718	2	SPOEL,
6	130100010729	6	OPVULPIJP,
7	130100010714	1	AANDRIJFLAGERBUS,
8	190003962038	1	PLUG, Hex Wash Hd, M22 x 1.5, , A-M22x1,5
9	130100010741	2	COVER,
10	190003813434	1	TAPEIND, , M8x25-8.8
11	190003098026	1	DICHTINGSRING, , A22x27-CU
16	130100070714	1	SCHROEF,
17	130182010704	1	ELLEBOOG,
18	130182010705	1	SHEET,
19	130100010705	1	RING,
20	190003862420	1	SCHROEF, , M8x16-10.9
21	130182010701	1	DICHTINGSRING,
22	190003962014	1	PLUG, Hex Wash Hd, M10 x 1, , A-M10x1
23	190003098010	1	DICHTINGSRING, , A10x13,5-CU
24	130100040723	3	ZUIGERMANTEL,
25	130100041001	6	DICHTINGSRING,
26	130100041002	6	DICHTINGSRING,
30	130182010712	1	MOER,
31	130100020701	4	RING,
32	130182010708	4	SCHIJF,
35	130100010721	8	SCHIJF,
36	190003909588	4	SPANSTIFT, , 4x8
37	190003901418	4	PEN, , 8m6x18
38	190003901528	2	PEN, , 10m6x28
39	130100010710	1	DICHTINGSSTUK,
40	130100010719	8	SCHROEF,
41	130100010713	1	SCHIJF,
42	130100010708	1	MOER,
43	130182010709	1	SCHROEF,
44	190003330165	1	KOGEL, , 9,0mm
45	130182010703	1	SPRING, COMPRESSION,
46	190003098016	1	DICHTINGSRING, , A16x20-CU
47	130182010710	1	MOER,
48	130100010712	1	SPOEL,

Ref	Onderdeelnummer	Kwt	Beschrijving
54		4	, KURBELWELLENLAGER/BEARING, CRANKSHAFT/COUSSINET VILEBREQUIN/KRUMTAPAKSELLEJE/CUSCINETTO DELL'ALBERO - Siehe Kurbelwelle/See crankshaft/Voir vilebrequin/Se krumtapaksel/Vedere albero motore



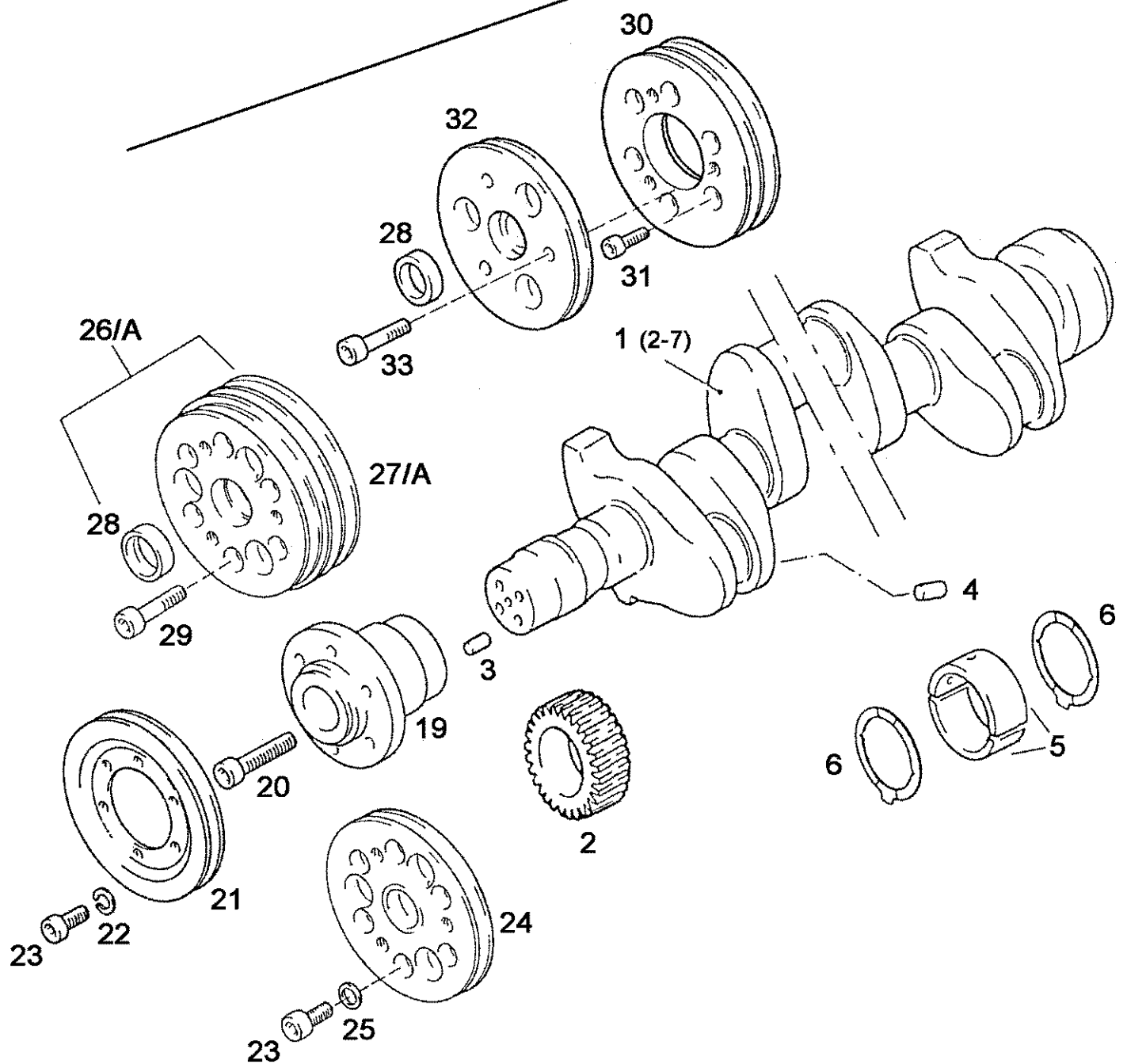
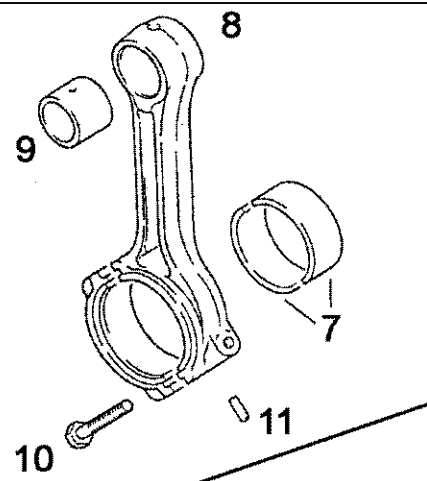
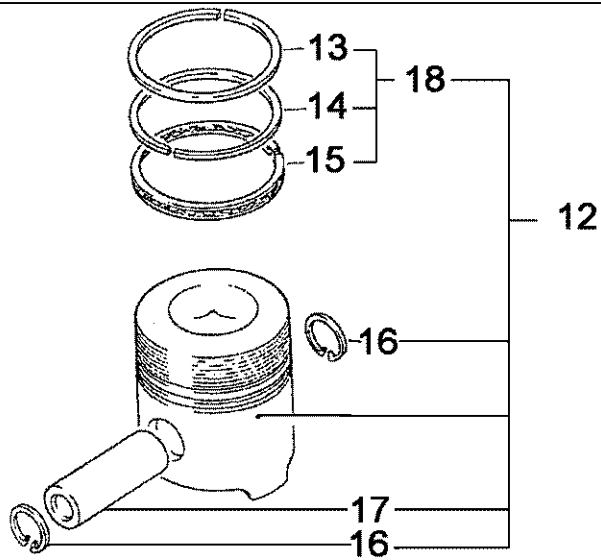


Ref	Onderdeelnummer	Kwt	Beschrijving
1	130100010734	1	OIL EXTRACTOR,
2	130100010735	1	VERLOOPSTUK,
3	43362	1	MOER, M8, CI 10,
4	190003989340	2	KLEM, , 22/29
5	130100010705	1	RING,
6	15213321	1	BOUT, Hex, M8 x 35, 8.8,
7	130100010736	1	SPRING, COMPRESSION,
8	130100010706	1	FLEXIBELE BUIS,
9	130100010726	1	DICHTINGSSTUK,
10	130100010725	1	COVER, , Einschließlich/Includes/Avec/Inklusive/Compreso 54
11	130100010728	1	DICHTINGSRING,
12	43127	10	BOUT, Hex, M8 x 25, 8.8,
13	190003932023	10	WASHER, SPRING, , B8
14	190003802527	1	SCHROEF, , M10x30-8.8
15	15213321	3	BOUT, Hex, M8 x 35, 8.8,
16	130100010731	1	COVER,
17	130100010717	1	DICHTINGSSTUK,
18		1	, GEHÄUSE/HOUSING/CARTER/HUS/SCATOLA - Siehe Hydraulikpumpeneinbau/See hydraulic pump built-in/Voir pompe hydraulique-incorporation/Se hydraulikpumpe-installation/Vedere pompa-idraulica montaggio
19	130100010705	11	RING,
20	190003800467	6	SCHROEF, , M8x75-8.8
21	130100010722	1	SCHROEF,
22	1614050124	1	O-RING,
23	130100010716	1	DICHTINGSSTUK,
24	130100010715	1	COVER,
26	190003800441	5	SCHROEF, , M8x45-8.8
27	130100010703	1	DICHTINGSRING,
28	130100010720	1	COVER,
29	130100010727	1	DICHTINGSRING,
30	190003932023	2	WASHER, SPRING, , B8
31	120104	2	BOUT, Hex, M8 x 20, 8.8,
32	190003862572	1	SCHROEF, , M10x90-10.9
33	130100010707	2	DICHTINGSRING,
34	130100010730	1	LAGERBUS,
36	190003098008	1	DICHTINGSSTUK, , A8x11,5
37	130100010744	2	PEN,
38	130100010704	1	DICHTINGSRING,
39	130100010709	1	HUIS,
40	190003800038	1	SCHROEF, , M6x90-8.8



## 02-15(01) FLYWHEEL AND HOUSING

Ref	Onderdeelnummer	Kwt	Beschrijving
1	130100010751	1	HUIS,
2	130100010747	10	SCHROEF,
3	130100010748	2	SCHROEF,
4	130100010749	2	SCHROEF,
5	130100010750	4	SCHROEF,
6	190003802527	3	SCHROEF, , M10x30-8.8
7	130100020701	3	RING,
8	130100010752	1	RUBBER,
10	130100010753	1	PLUG,
31	130100020721	1	FLYWHEEL WITH GEAR, , Einschließlich/Includes/Avec/Inklusive/Compreso 32 - 34
32	130100020719	1	RING, ZWENKEND,
33	130100020722	1	PEN,
34	130100020723	1	SCALE,
35	190003862814	6	SCHROEF, , M16X40-10.9
36	190003909626	1	SPANSTIFT, , 6x12
37		1	, KUGELLAGER/BEARING, BALL/ROULEMENT A BILLES/KUGLELEJE/CUSCINETTO A SFERE - Siehe Kupplung/See clutch/Voir embrayage/Se kobling/Vedere frizione

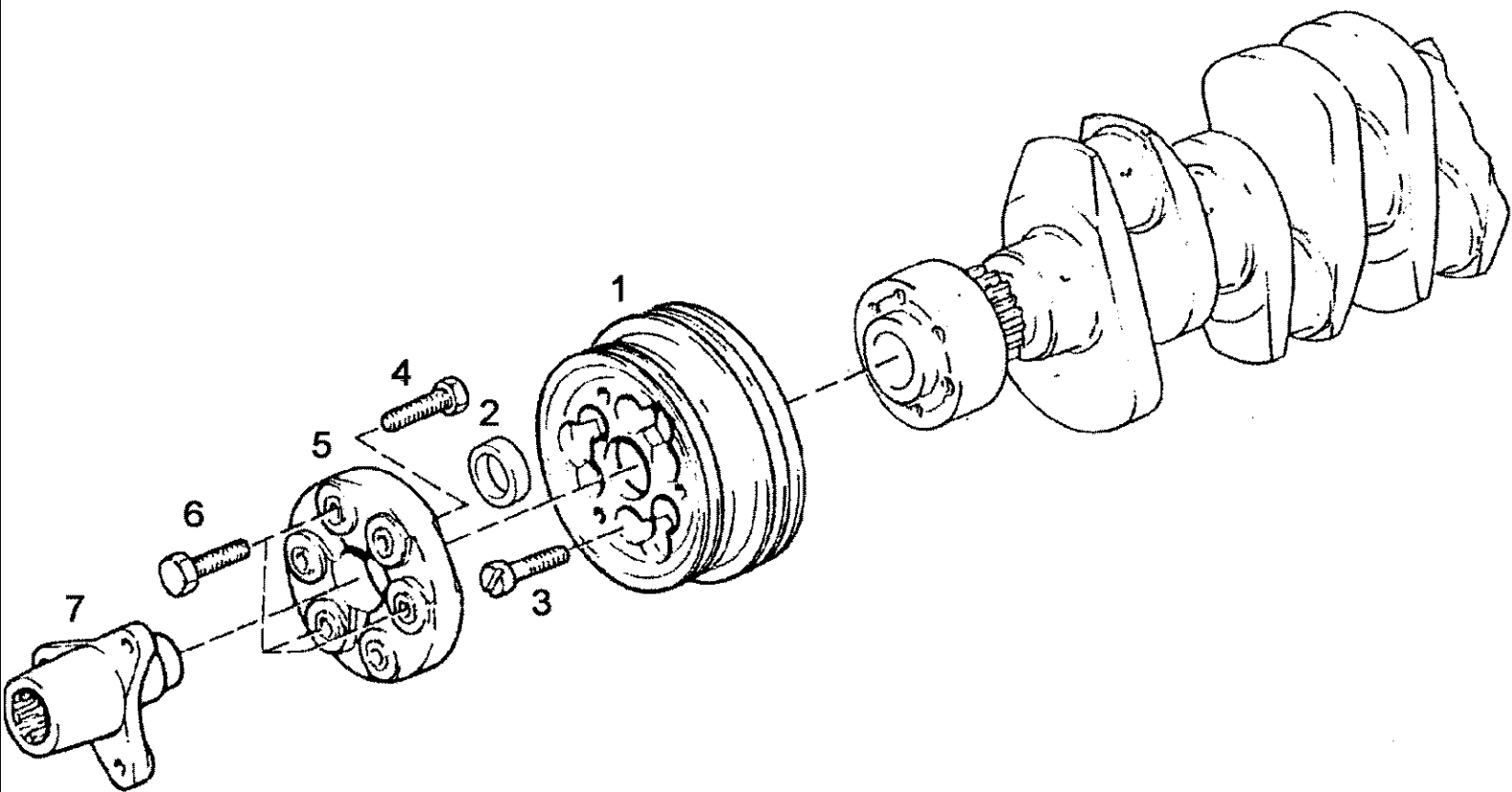


Ref	Onderdeelnummer	Kwt	Beschrijving
1	130100020720	1	KRUKAS, , Einschließlich/Includes/Avec/Inklusive/Compreso 2 - 7
2	130100020708	1	PIGNON,
3	190003909611	1	SPANSTIFT, , 4x16
4	130100020702	3	PLUG,
5	130100010755	4	BEARING, CRANKSHAFT, , 70,00mm
5	130100010737	4	BEARING, CRANKSHAFT, , 69,75mm
5	130100010738	4	BEARING, CRANKSHAFT, , 69,50mm
5	130100010739	4	BEARING, CRANKSHAFT, , 69,25mm
5	130100010740	4	BEARING, CRANKSHAFT, , 69,00mm
6	130100010754	2	RACE, , 3,43mm
6	130100010701	2	RACE, , 3,53mm
6	130100010702	2	RACE, , 3,63mm
6	130100010711	2	RACE, , 3,73mm
7	130100030714	3	BEARING, CON. ROD, , 63,00mm
7	130100030709	3	BEARING, CON. ROD, , 62,75mm
7	130100030710	3	BEARING, CON. ROD, , 62,50mm
7	130100030711	3	BEARING, CON. ROD, , 62,25mm
7	130100030712	3	BEARING, CON. ROD, , 62,00mm
8	130100030706	3	VERBINDINGSSTANG, , Einschließlich/Includes/Avec/Inklusive/Compreso 9 - 11
9	130100030705	3	BEARING, CON. ROD,
10	130100030707	6	SCHROEF,
11	130100030713	3	PEN,
12	130142030703	3	ZUIGERGEHEEL, , Besteht aus/Consists of/Compose de/Bestående af/È composto da 13-17 - Ersetzt/Replaces/Remplace/Udskiftet/Sostituisce 130142030701
13	130100030703	3	ZUIGERRING,
14	130100030702	3	ZUIGERRING,
15	130100030704	3	ZUIGERRING,
16	130100030701	6	RING, SNAP,
17	130142030702	3	PIN, LARGE,
18	130100030708	3	RING SET, PISTON, , Besteht aus/Consists of/Compose de/Bestående af/È composto da de 13 - 15
19	130100020709	1	NAAF,
20	190003862826	4	SCHROEF, , M16x50-10.9
21	130100020705	1	RIEMSCHIJF,
22	130100020701	6	RING,
23	190003862515	6	SCHROEF, , M10x16-10.9
24	130100020008	1	RIEMSCHIJF,
25	130100020011	6	RING,
26	130100020007	1	RIEMSCHIJF, , ----> ..... / Besteht aus/Consists of/Compose de/Bestående af/È composto da 27, 28 - Siehe nächste Seite(n)/See next page(s)/Voir page(s) suivante(s)
26A	130100020010	1	RIEMSCHIJF, , ..... ----> / Besteht aus/Consists of/Compose de/Bestående af/È composto da de 27, 28

955 STEYR TRACTOR (2/92-6/97) - Motor

02-16(01) CRANKSHAFT+ PULLEY - PISTONS+CONNECTING RODS

Ref	Onderdeelnummer	Kwt	Beschrijving
27	130100020005	1	RIEMSCHIJF, , ----> .....
27A	130100020009	1	RIEMSCHIJF, , ..... ---->
28	137700290080	1	RESERVERING, , 32x40; 10
29	190003862540	6	SCHROEF, , M10x45-10.9
30	140100020001	1	RIEMSCHIJF,
31	190003862528	6	SCHROEF, , M10x25-10.9
32	140100020002	1	RIEMSCHIJF, , Einschließlich/Includes/Avec/Inklusive/Compreso 28
33	190003860290	3	SCHROEF, , M12x40-10.9

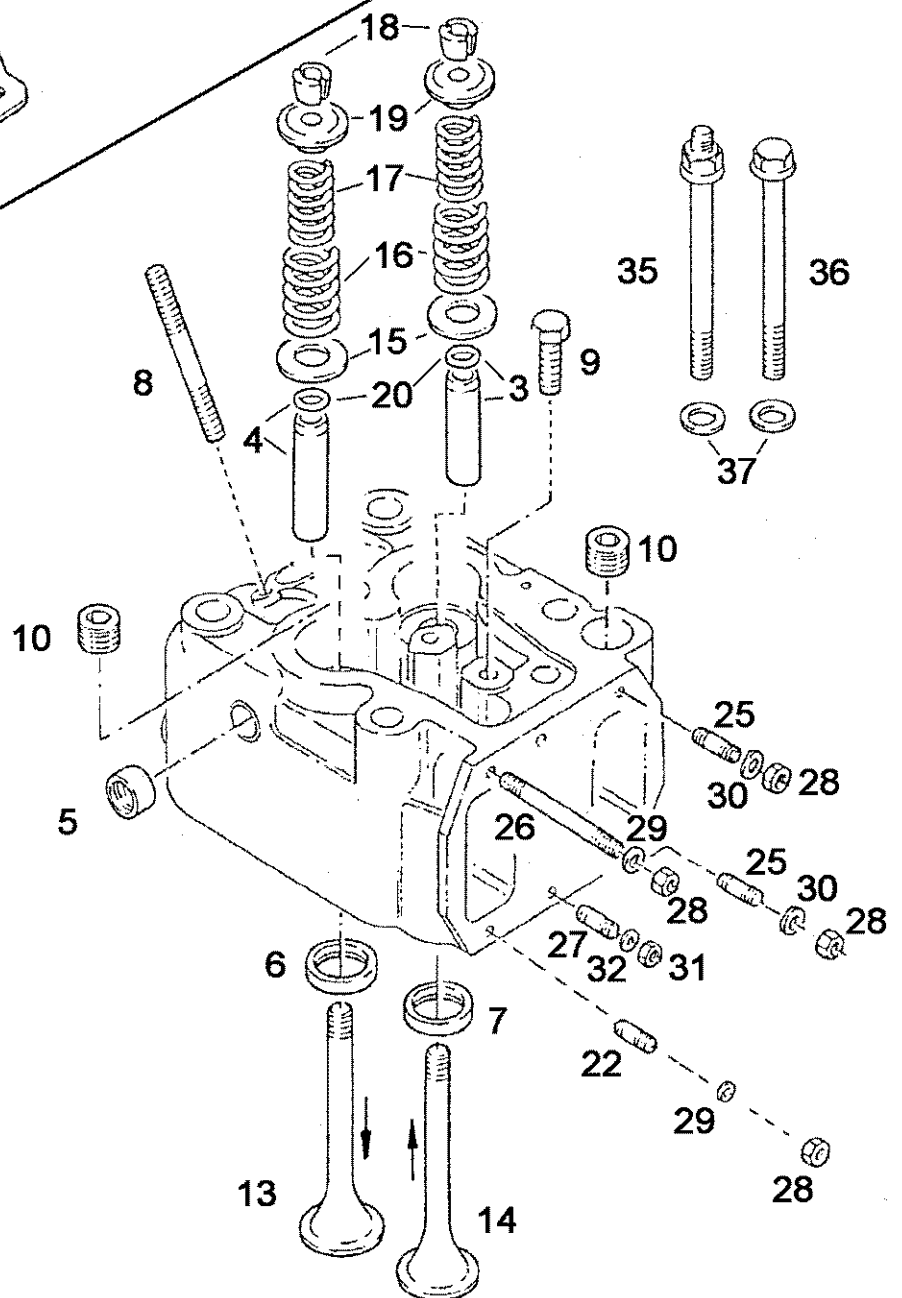
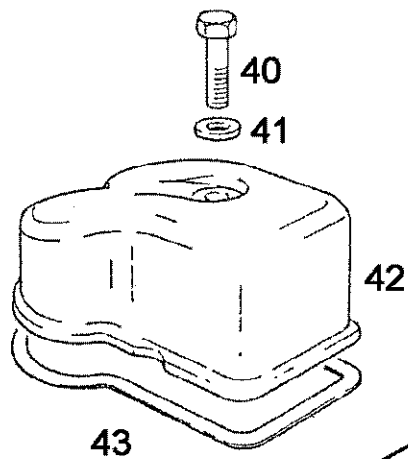
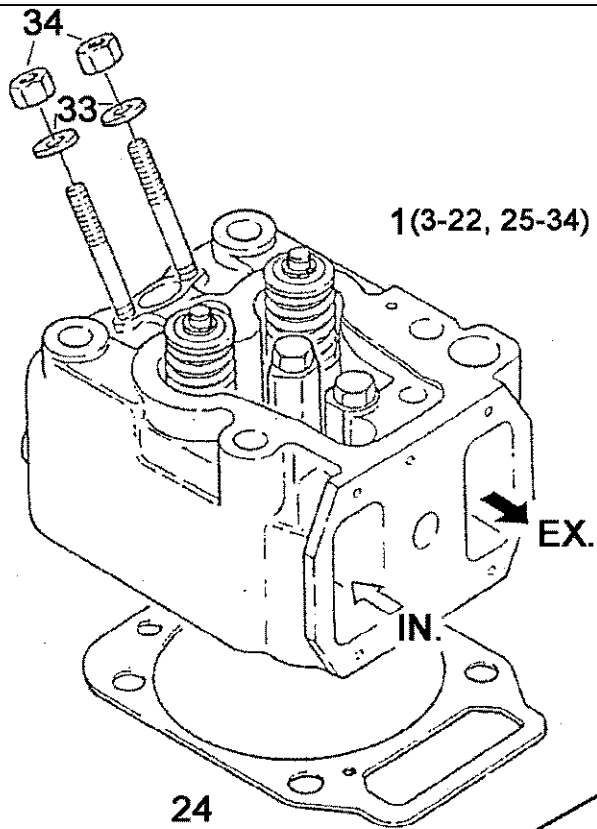


955 STEYR TRACTOR (2/92-6/97) - Motor

02-17(01) V-BELT PULLEY 3-GROOVES

Ref	Onderdeelnummer	Kwt	Beschrijving
1	130100020010	1	RIEMSCHIJF, , Ersetzt/Replaces/Remplace/Udskiftet/Sostituisce 130100020007
2	137700290080	1	RESERVERING, , 32x40; 10
3	190003862540	6	SCHROEF, , M10x45-10.9-A3C
4	190003800028	3	SCHROEF, , M12x45-10.9-A3C
5	137700290068	1	SCHIJF,
6	190003800160	3	SCHROEF, , M12x50-10.9-A3C
7	137700290081	1	AANDRIJFKLAUW,





## 955 STEYR TRACTOR (2/92-6/97) - Motor

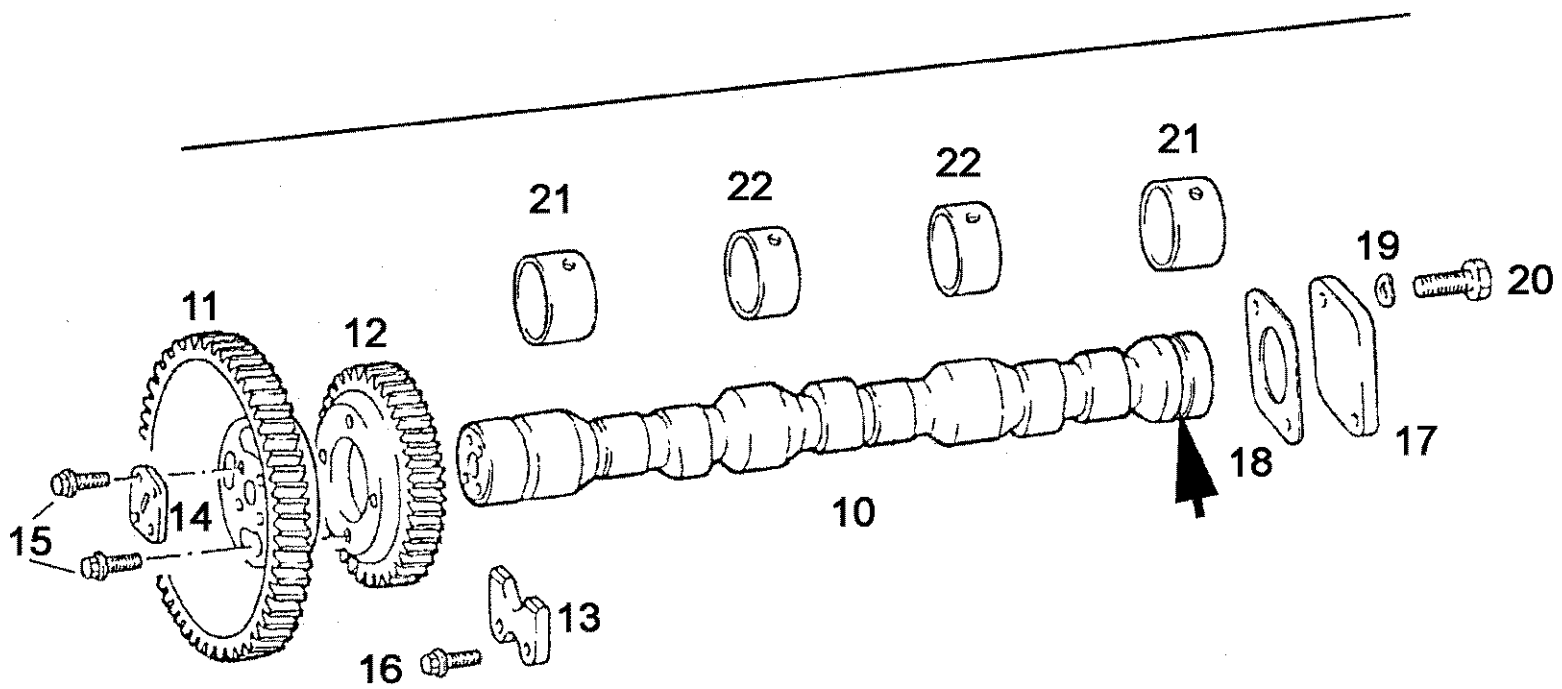
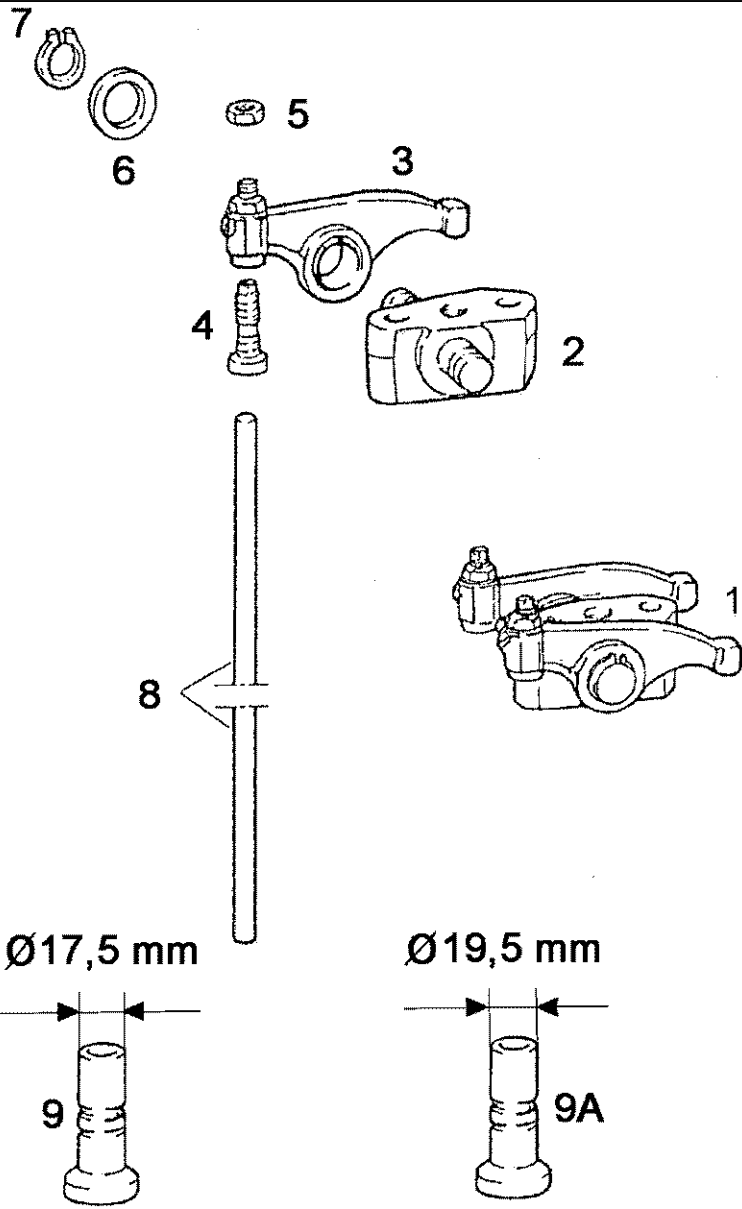
## 02-18(01) CYLINDER HEAD AND GASKETS

Ref	Onderdeelnummer	Kwt	Beschrijving
1	130142040703	3	CYLINDERKOP, , Einschließlich/Includes/Avec/Inklusive/Compreso 3 - 22, 25 - 34
1	130182040703	3	KRIK, , Einschließlich/Includes/Avec/Inklusive/Compreso- 22, 25 - 34
3	130100040706	3	VALVE, , 15,00mm, Einschließlich/Includes/Avec/Inklusive/Compreso 20
3	130100040713	3	VALVE, , 15,10mm, Einschließlich/Includes/Avec/Inklusive/Compreso 20
3	130100040715	3	VALVE, , 15,20mm, Einschließlich/Includes/Avec/Inklusive/Compreso 20
4	130100040707	3	VALVE, , 15,00mm, Einschließlich/Includes/Avec/Inklusive/Compreso 20
4	130100040714	3	VALVE, , 15,10mm, Einschließlich/Includes/Avec/Inklusive/Compreso 20
4	130100040712	3	VALVE, , 15,20mm, Einschließlich/Includes/Avec/Inklusive/Compreso 20
5	190003961908	9	SPOEL, , B25
6	130142040701	3	SEAT, VALVE,
6	130100040719	3	SEAT, VALVE, , +0,2mm, Reparatursatz/Repair kit/Colis de reparation/Reparatursæt/Set di riparazione
7	130100040716	3	SEAT, VALVE,
7	130100040720	3	SEAT, VALVE, , +0,2mm, Reparatursatz/Repair kit/Colis de reparation/Reparatursæt/Set di riparazione
8	190003813449	6	TAPEIND, , M8x40-8.8
9	9706704	6	BOU, Hex, M10 x 35, 8.8, Full Thd, , M10x35-8.8
10	190003960008	6	SCHROEF, , M22x1,5
13	130142050701	3	INLAATKLEP,
14	130142050702	3	UITLAATKLEP,
15	130100040711	6	SCHIJF,
16	130100040703	6	SPRING, COMPRESSION,
17	130100040702	6	SPRING, COMPRESSION,
18	130100040710	12	POPPET, VALVE,
19	130100040709	6	CUP, SPRING,
20	130100040701	6	DICHTINGSRING,
22	190003813532	3	TAPEIND, , M10x30-8.8
24	130142040702	3	DICHTINGSSTUK, , 1,4mm thk
25	190003813543	6	TAPEIND, , M10x40-8.8
26	190003813580	3	TAPEIND, , M10x100-8.8
27	130100040718	3	TAPEIND,
28	130100040725	12	MOER, , M10
29	130100020701	6	RING,
30	130100040708	6	SCHIJF,
31	130100040726	3	MOER,
32	130100010705	3	RING,
34	130100040724	6	MOER, , M8
35	130100010733	2	SCHROEF,
36	130100010732	10	SCHROEF,
37	130100010721	12	SCHIJF,
40	15213321	3	BOU, Hex, M8 x 35, 8.8,
41	190003098009	3	DICHTING, RUBBER, , A8X14-CU
42	130100040704	3	HOOD,

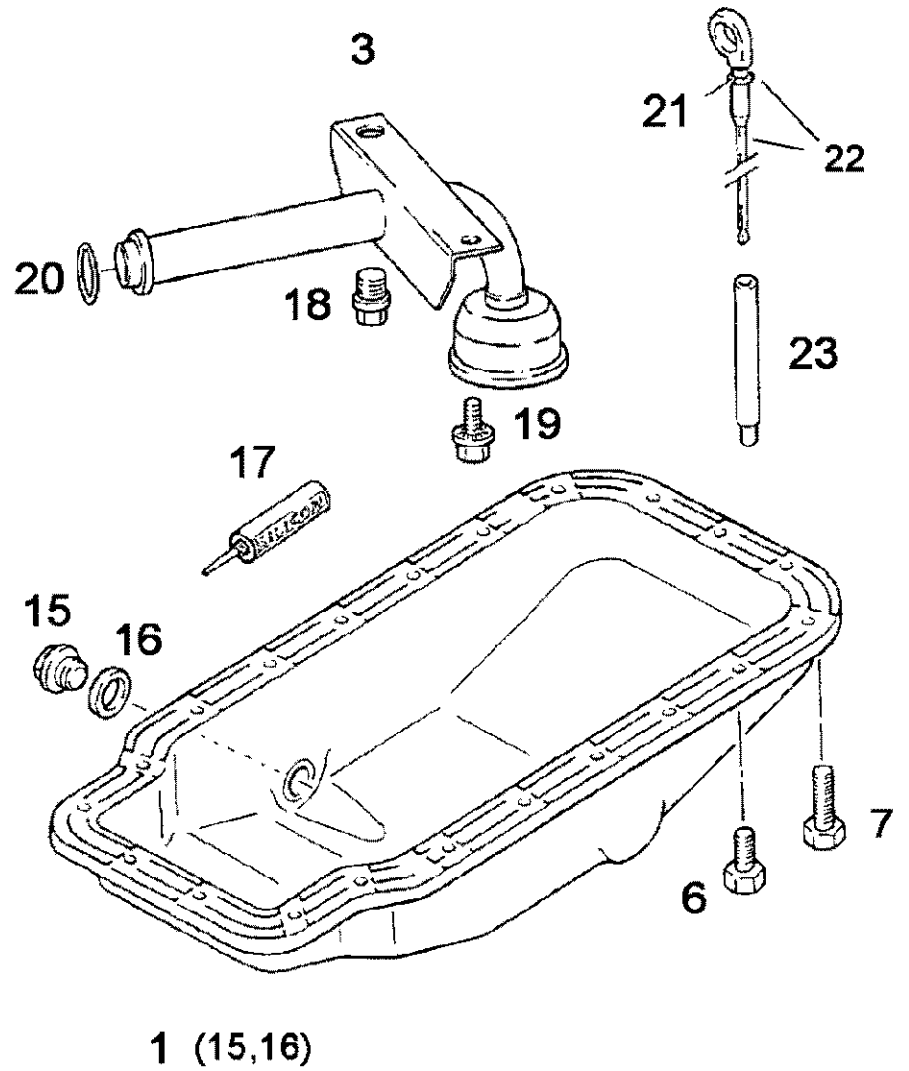
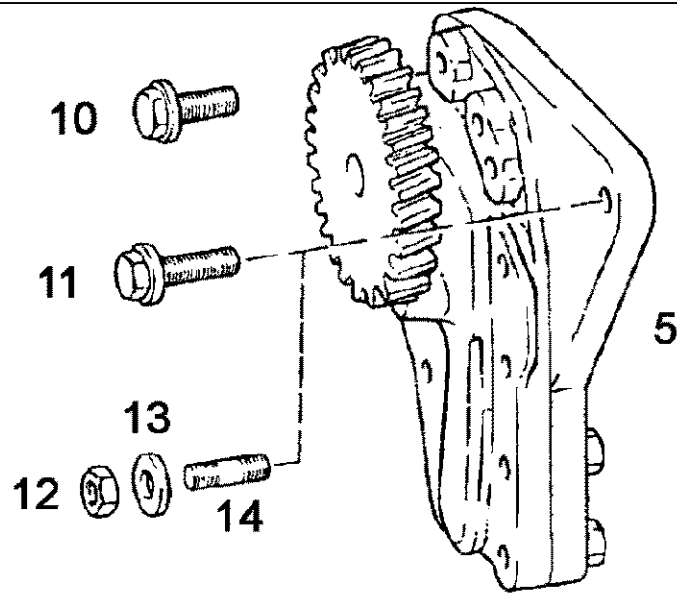
955 STEYR TRACTOR (2/92-6/97) - Motor

02-18(01) CYLINDER HEAD AND GASKETS

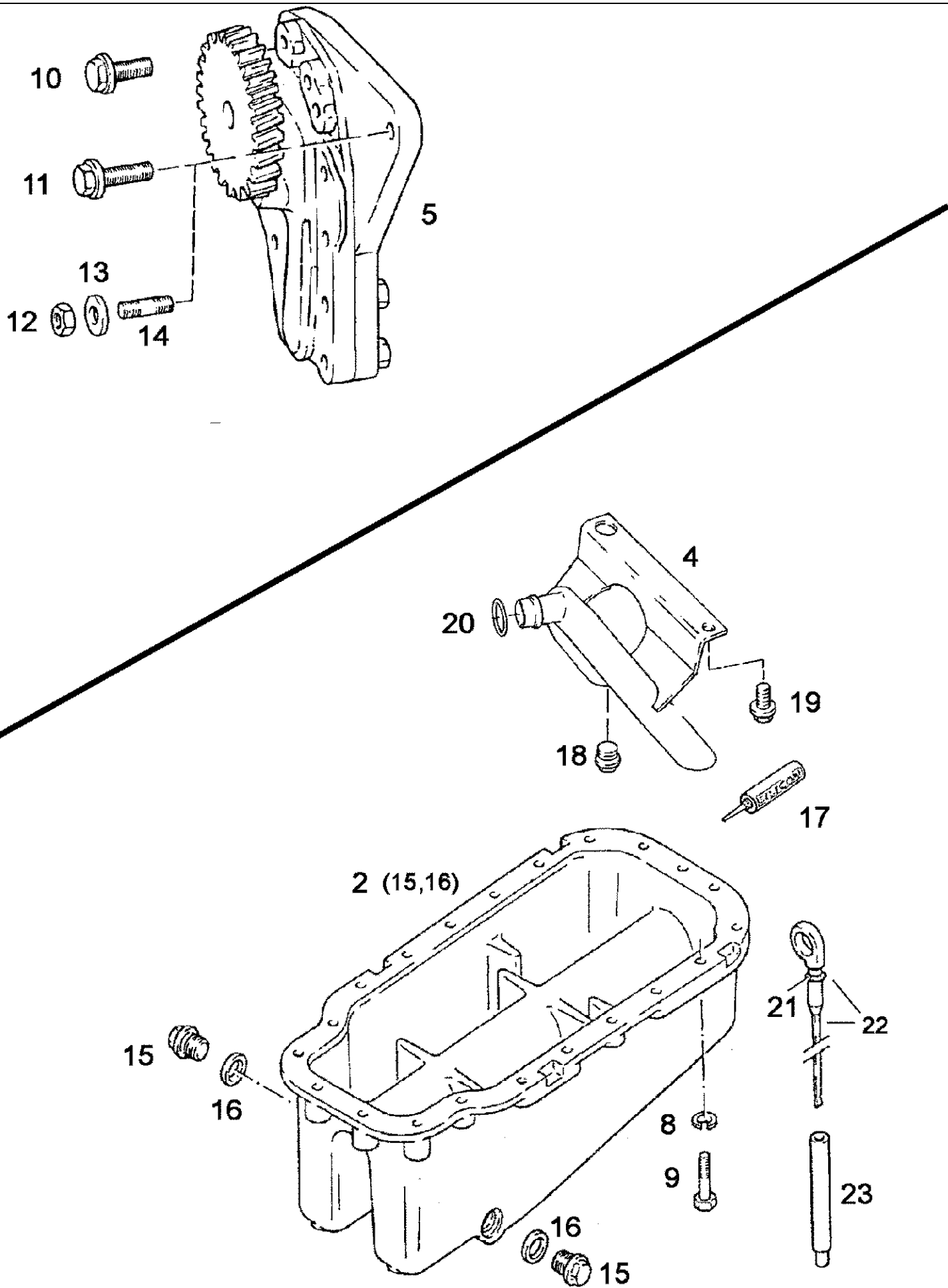
Ref	Onderdeelnummer	Kwt	Beschrijving
43	130100040705	3	DICHTINGSSTUK,



Ref	Onderdeelnummer	Kwt	Beschrijving
1	130100050709	3	HEFBOOM, , Besteht aus/Consists of/Compose de/Bestående af/È composto da 2 - 7
2	130100050708	3	HEFBOOM,
3	130100050710	6	ROCKER, , Einschließlich/Includes/Avec/Inklusive/Compreso 4, 5
4	130100050704	3	SCHROEF,
5	130100050705	3	MOER,
6	130100050713	12	SCHIJF,
7	190003933067	6	BORGPLAAT, , 16x1
8	130100050702	6	ROD, PUSH,
9	130100050703	6	NOK, , ----> .....
9A	130100050721	6	NOK, , ..... ----> / Reparatursatz/Repair kit/Colis de reparation/Reparatursæt/Set di riparazione
10	130100050717	1	CAMSHAFT, , Ersetzt/Replaces/Remplace/Udskiftet/Sostituisce 130100050720
11	130100050706	1	PIGNON,
12	130100050707	1	PIGNON,
13	130100050711	1	SEGMENT,
14	130100050714	1	FLENS,
15	130100050701	8	SCHROEF, , AM8x22-12.9
16	130100070703	2	SCHROEF,
17	130100050712	1	FLENS,
18	130100050718	1	DICHTINGSSTUK,
19	130100010705	2	RING,
20	190003802443	2	SCHROEF, , M8x20-10.9
21	130100050715	2	NOKKENAS LAGER, , Reparatursatz/Repair kit/Colis de reparation/Reparatursæt/Set di riparazione
22	130100050716	2	NOKKENAS LAGER, , Reparatursatz/Repair kit/Colis de reparation/Reparatursæt/Set di riparazione



Ref	Onderdeelnummer	Kwt	Beschrijving
1	130142150703	1	PAN, OIL,
3	130142070701	1	LEIDING,
5	130100070708	1	OLIEPOMP,
6	130142150702	7	SCHROEF,
7	130142150701	17	SCHROEF,
10	130100050701	1	SCHROEF, , AM8x22-12.9
11	130100070702	1	SCHROEF, , AM8x35-12.9
12	130100010708	1	MOER,
13	130100010713	1	SCHIJF,
14	190003813434	1	TAPEIND, , M8x25-8.8
15	130100150703	21	SCHROEF,
16	130100150704	2	OIL-SEAL,
17	190007990035	1	LOCTITE,
18	130100070714	1	SCHROEF,
19	130100070703	1	SCHROEF,
20	130100070701	1	DICHTINGSRING,
21	130100150701	1	DICHTINGSRING,
22	130142150704	1	PEILSTANG, , Einschließlich/Includes/Avec/Inklusive/Compreso 21
23	130100010729	1	OPVULPIJP,



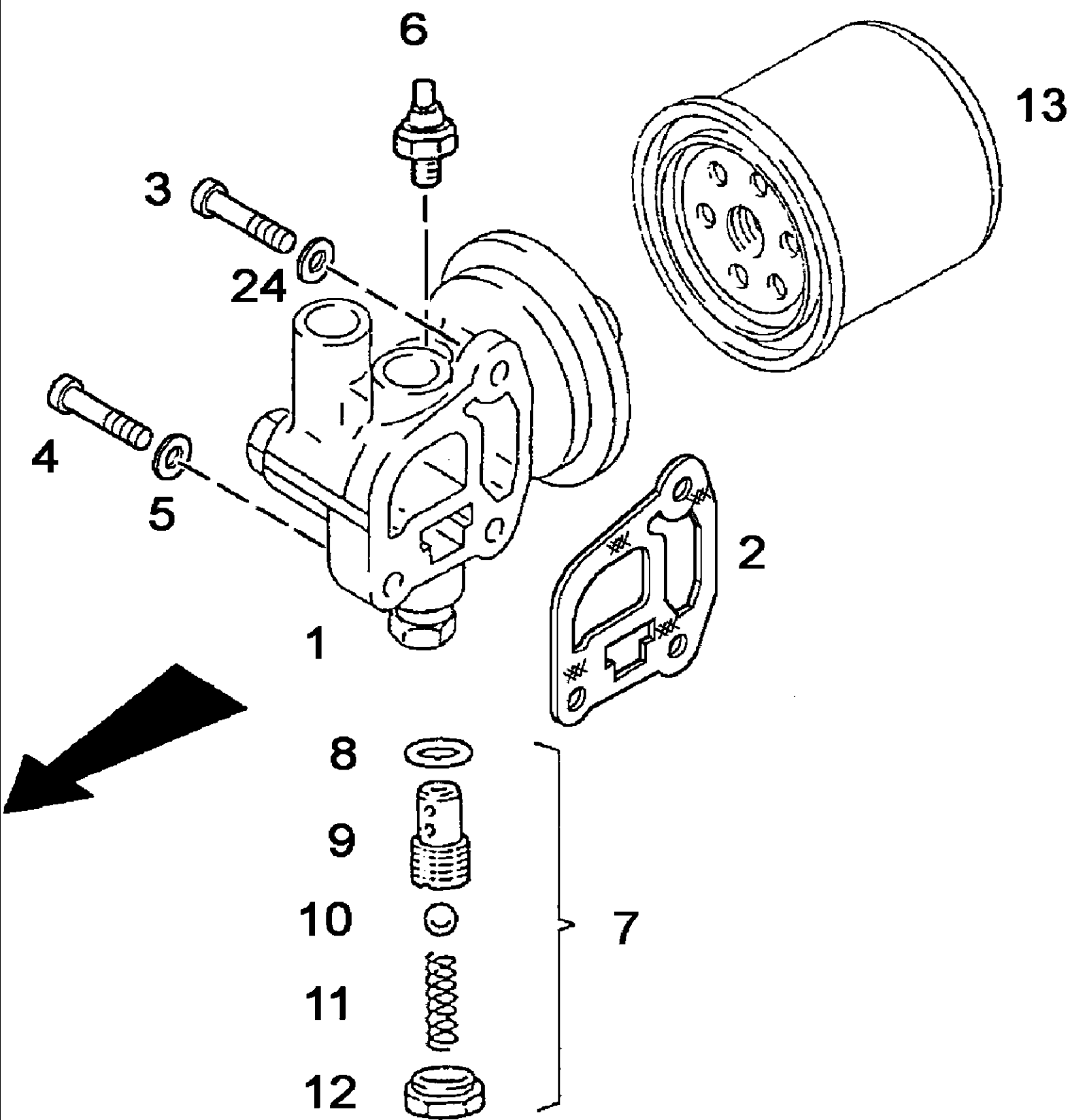


955 STEYR TRACTOR (2/92-6/97) - Motor

02-21(01) LUBRICATING OIL PUMP - OIL PAN + DIPSTICK / 4WD

Ref	Onderdeelnummer	Kwt	Beschrijving
2	130143150701	1	PAN, OIL,
4	130143070701	1	LEIDING,
5	130100070708	1	OLIEPOMP,
8	130100010705	21	RING,
9	190003800441	21	SCHROEF, , M8x45-8.8
10	130100050701	1	SCHROEF, , AM8x22-12.9
11	130100070702	1	SCHROEF, , AM8x35-12.9
12	130100010708	1	MOER,
13	130100010713	1	SCHIJF,
14	190003813434	1	TAPEIND, , M8x25-8.8
15	130100150703	21	SCHROEF,
16	130100150704	2	OIL-SEAL,
17	190007990035	1	LOCTITE,
18	130100070714	1	SCHROEF,
19	130100070703	1	SCHROEF,
20	130100070701	1	DICHTINGSRING,
21	130100150701	1	DICHTINGSRING,
22	130142150704	1	PEILSTANG, , Einschließlich/Includes/Avec/Inklusive/Compreso 21
23	130100010729	1	OPVULPIJP,

4WD

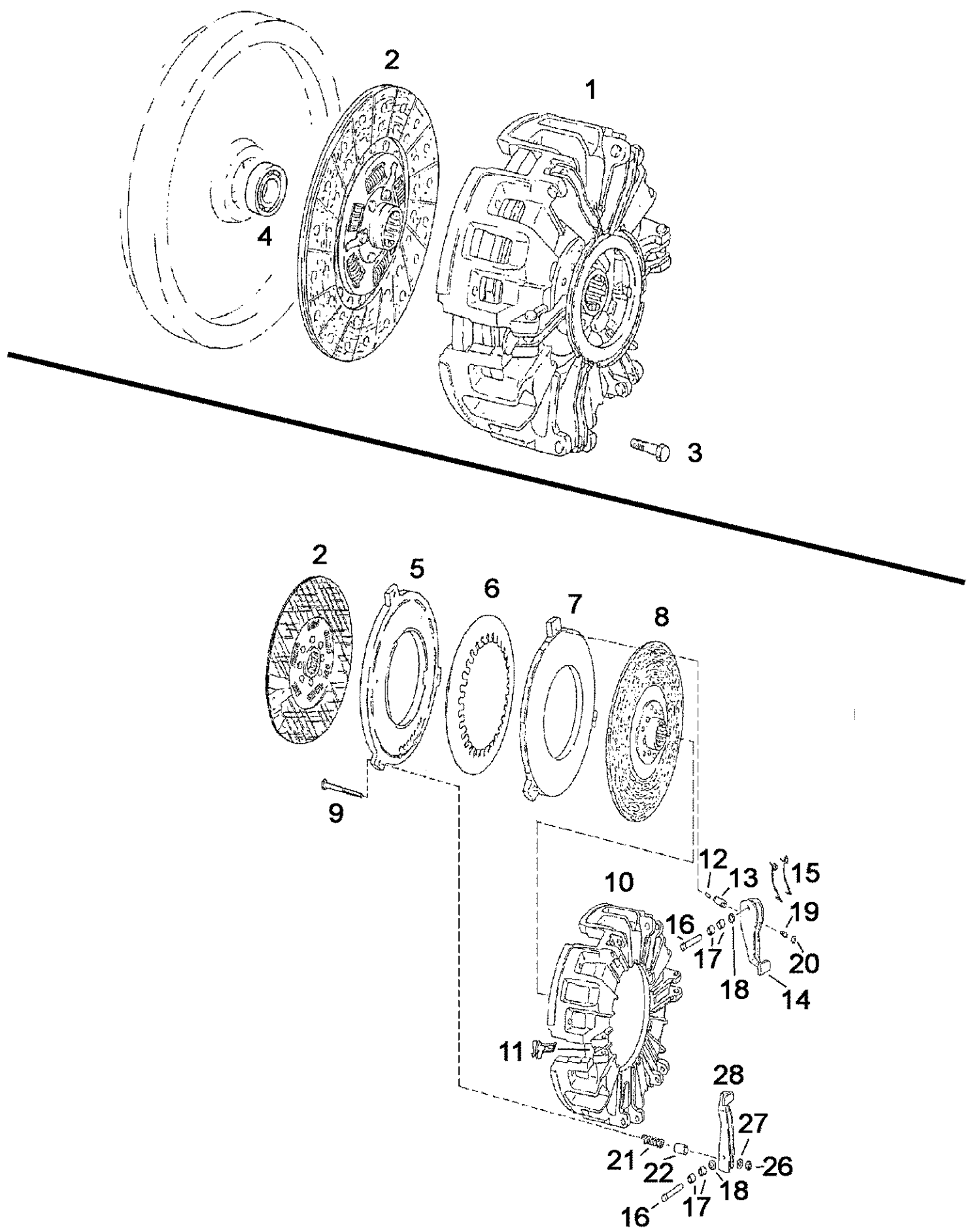


955 STEYR TRACTOR (2/92-6/97) - Motor

02-22(01) OILFILTER AND COOLER / 955, 955A / 964, 964A, 970A ----> .....

Ref	Onderdeelnummer	Kwt	Beschrijving
1	130100070706	1	FILTER,
2	130100070707	1	DICHTINGSSTUK,
3	130100070712	1	SCHROEF,
4	130100070713	2	SCHROEF,
5	190003932025	3	SCHIJFVEER,
6			, DRUCKSCHALTER/SWITCH, PRESSURE/PRESSOSTAT/TRYKKONTAKT/PRESSOSTATO - Siehe Kapitel 04/See chapter 04/Voir chapitre 04/Se kapitel 04/Vedere capitolo 04
7	130100070709	1	KLEP, , Besteht aus/Consists of/Compose de/Bestående af/È composto da 8 - 12
8	190003098029	1	DICHTINGSRING,
9	130100070710	1	BODY, VALVE,
10	190003330543	1	KOGEL,
11	130100070705	1	SPRING, COMPRESSION,
12	130100070711	1	SCHROEF,
24	190003932025	1	SCHIJFVEER,

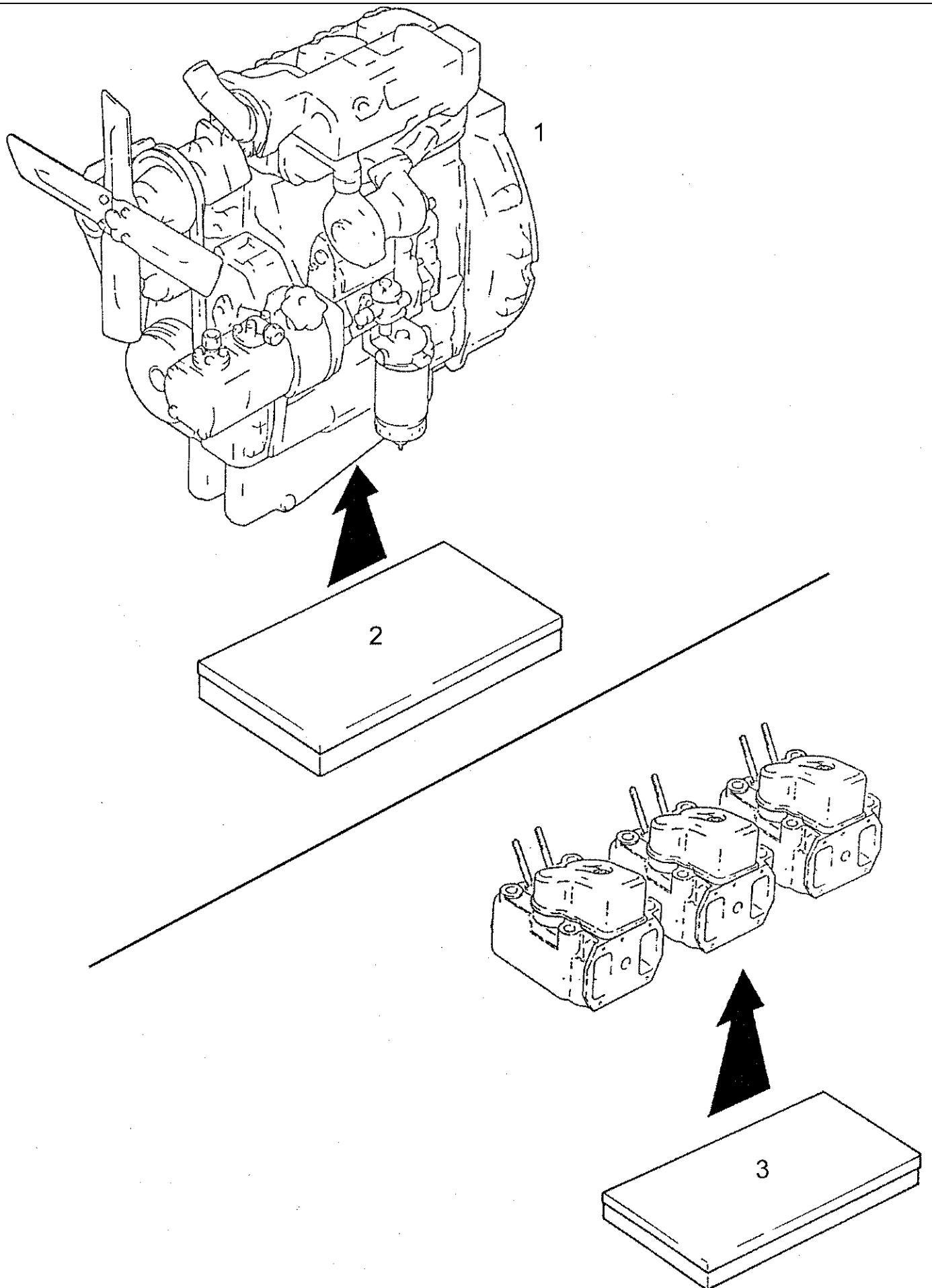
955, 955A / 964 ----> ..... / 964A ----> ..... / 970A ----> .....



Ref	Onderdeelnummer	Kwt	Beschrijving
1	141100160095	1	CLUTCH ASSEMBLY, , Besteht aus/Consists of/Compose de/Bestående af/È composto da 5 - 22, 26 - 28
2	130100160002	1	KOPPELING, AANDRIJFPLAAT,
3	190003802461	12	SCHROEF, , M8x60-8.8
4	190003311111	1	LAGER, KOEGL,
5	141100160824	1	PLAAT, GROOT,
6	141100160833	1	SPRING, BELLEVILLE,
7	141100160878	1	PLAAT, GROOT,
8	141100160093	1	KOPPELINGSPLAAT,
9	141100160827	3	PIN, LARGE,
10	141100160836	1	HUIS,
11	141100160873	3	BAIL,
12	141100160881	3	PEN,
13	141100160880	3	PIN, LARGE,
14	141100160866	3	HEFBOOM, , Einschließlich/Includes/Avec/Inklusive/Compreso 19, 20
15	141100160879	3	VEER,
16	141100160826	6	AS,
17	141100160829	12	LAGERBUS,
18	141100160831	6	SLUITRING,
19	141100160840	3	PEN,
20	NSS	3	NIET ALLEEN VERKRIJGBAAR,
21	141100160834	3	SPRING, COMPRESSION,
22	141100160828	3	AFSTANDSRING,
26	141100160830	3	MOER,
27	141100160835	3	SCHIJF,
28	141100160867	3	HEFBOOM,

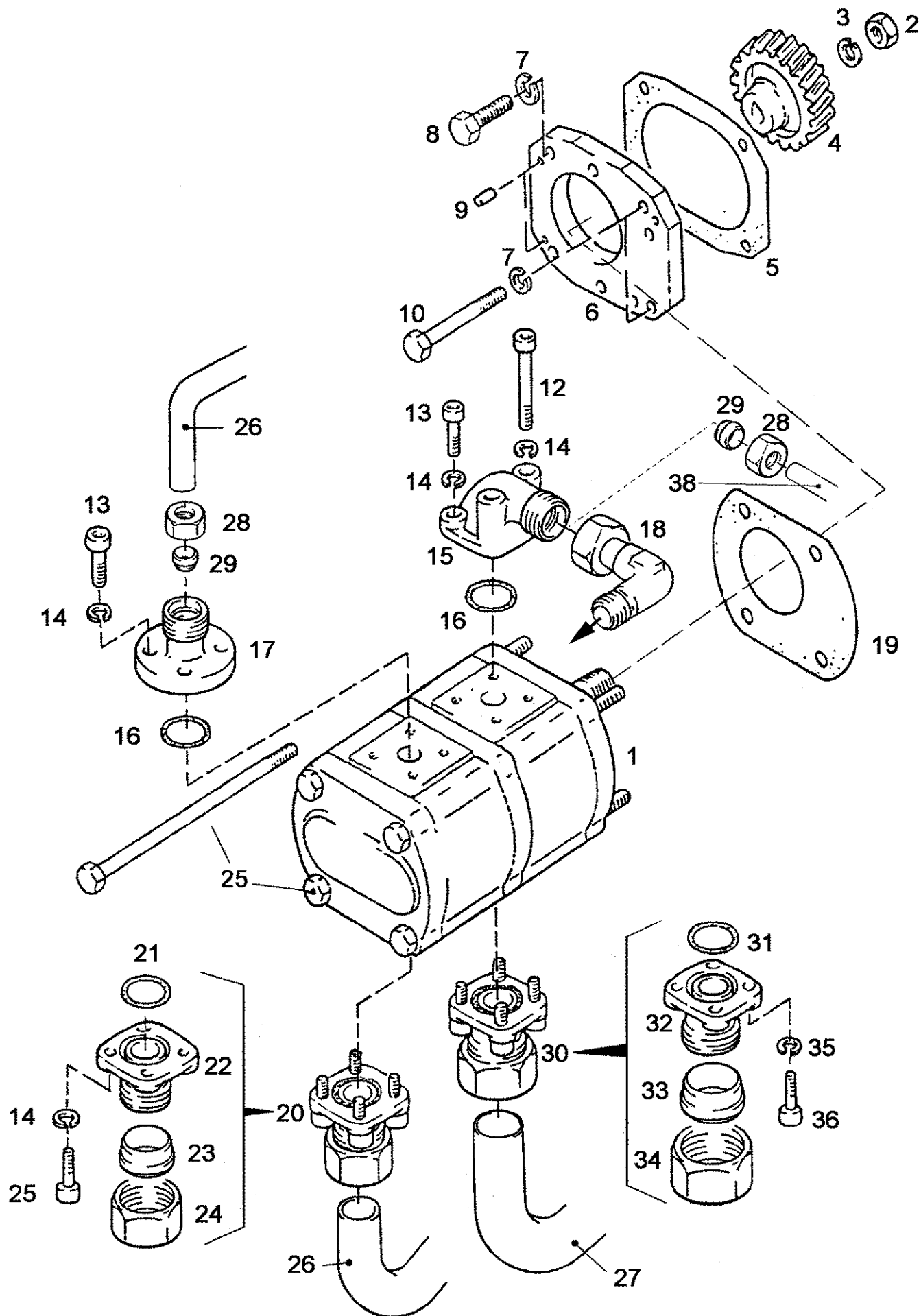


Ref	Onderdeelnummer	Kwt	Beschrijving
1	130100160004	1	CLUTCH ASSEMBLY, , Besteht aus/Consists of/Compose de/Bestående af/È composto da 30 - 36
2	130100160005	1	KOPPELING, AANDRIJFPLAAT,
3	190003800480	12	SCHROEF, , M8x95-8.8
4	190003311111	1	LAGER, KOGEL,
30	NSS	1	NIET ALLEEN VERKRIJGBAAR,
31	130100160705	1	KOPPELING, AANDRIJFPLAAT,
32	130100160706	1	DRUKPLAAT,
33	130100160707	1	SPRING, BELLEVILLE,
34	130100160708	1	DRUKPLAAT,
35	130100160709	1	SET HENDELS,
36	130100160710	1	SET HENDELS,

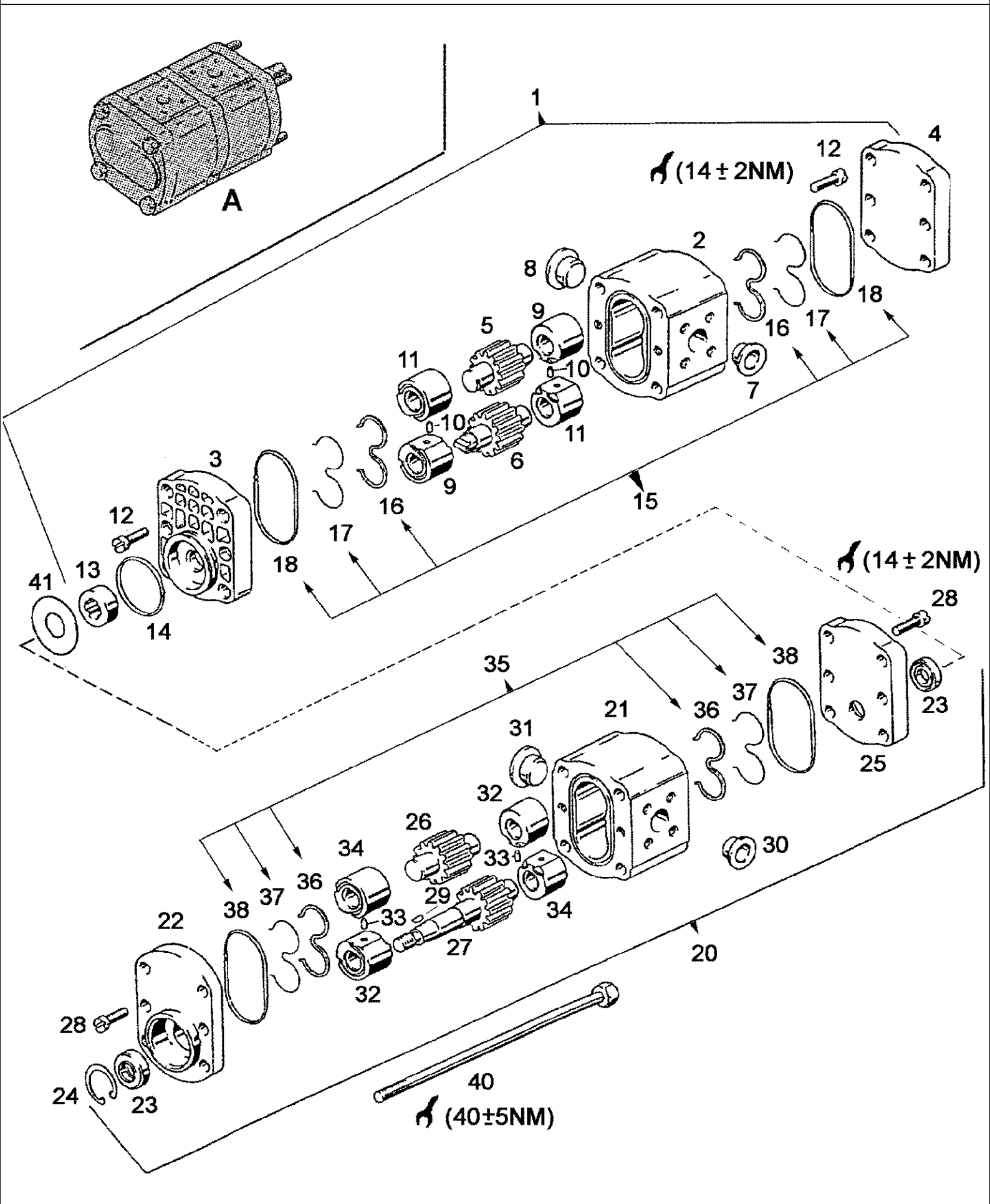




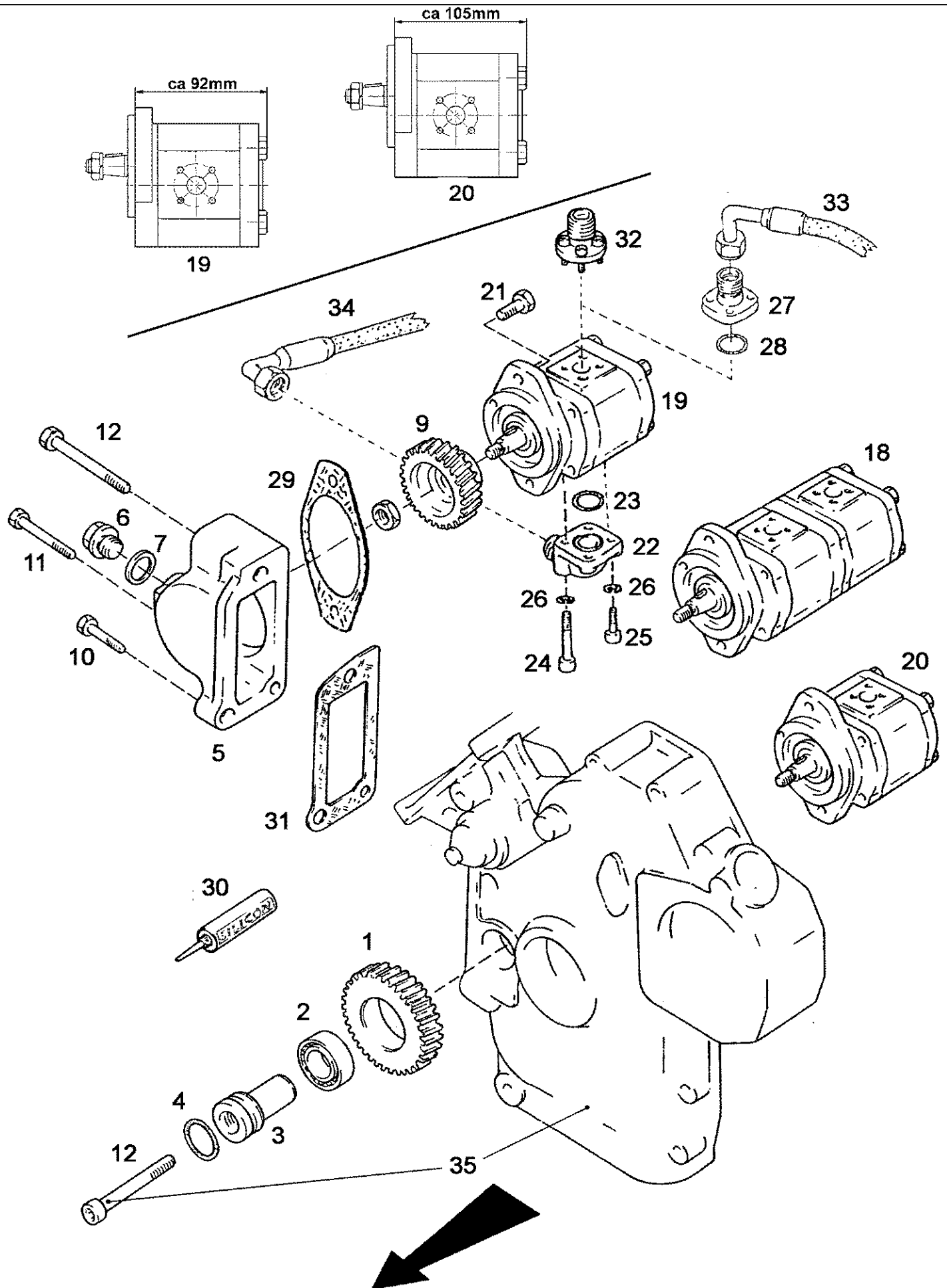
Ref	Onderdeelnummer	Kwt	Beschrijving
1	130143000001	1	MOTOR, , Für/For/Pour/Til/Per C55 / C55A
1	130183000001	1	MOTOR, , Für/For/Pour/Til/Per C64 / C64A
1	130187000001	1	MOTOR, , Für/For/Pour/Til/Per C70A
2	130100010745	1	STEL MOTORDICHTINGEN, , Besteht aus/Consists of/Compose de/Bestående af/È composto da 10 - 42
3	130100010746	1	DICHTINGSKIT, , Besteht aus/Consists of/Compose de/Bestående af/È composto da 10 - 16
10	130100040701	6	DICHTINGSRING,
11	299508A1	3	DICHTINGSSTUK, , Ersetzt/Replaces/Remplace/Udskiftet/Sostituisce 130142040702
12	130100040727	3	DICHTINGSSTUK, , Ersetzt/Replaces/Remplace/Udskiftet/Sostituisce 130100040705
13	130100080736	3	DICHTINGSRING,
14	130100080705	3	DICHTINGSRING,
15	130100190703	3	DICHTINGSSTUK,
16	130182190701	2	DICHTINGSRING,
17	130100041002	6	DICHTINGSRING, , Ersetzt/Replaces/Remplace/Udskiftet/Sostituisce 130100040722
18	130100041001	6	DICHTINGSRING, , Ersetzt/Replaces/Remplace/Udskiftet/Sostituisce 130100040721
19	130100010710	1	DICHTINGSSTUK,
20	130182010702	3	DICHTINGSRING,
21	130100010704	1	DICHTINGSRING,
22	130100010707	2	DICHTINGSRING,
23	130100010727	1	DICHTINGSRING,
24	130100010716	1	DICHTINGSSTUK,
25	130100010757	1	DICHTINGSSTUK, , Ersetzt/Replaces/Remplace/Udskiftet/Sostituisce 130100010726
26	130100010728	1	DICHTINGSRING,
27	130100010752	1	RUBBER, , Ersetzt/Replaces/Remplace/Udskiftet/Sostituisce 130100160702
28	190003090022	2	SEAL ASSY., , A21x26-CU
29	130100150701	1	DICHTINGSRING,
30	130100050718	1	DICHTINGSSTUK,
31	130100070701	1	DICHTINGSRING,
32	130100070707	1	DICHTINGSSTUK, , Ersetzt/Replaces/Remplace/Udskiftet/Sostituisce 130100070717
33	130182070704	1	DICHTINGSSTUK,
34	130100060708	1	SEAL ASSY., , Ersetzt/Replaces/Remplace/Udskiftet/Sostituisce 130100060701
35	130100080703	1	DICHTINGSRING,
36	130100110702	3	DICHTINGSSTUK, , Ersetzt/Replaces/Remplace/Udskiftet/Sostituisce 130100110701
37	130100130714	1	DICHTINGSSTUK, , Ersetzt/Replaces/Remplace/Udskiftet/Sostituisce 130100130703
38	130100130713	1	DICHTINGSSTUK, , Ersetzt/Replaces/Remplace/Udskiftet/Sostituisce 130100130702
39	131100110011	2	DICHTINGSSTUK,
40	131185110018	1	DICHTINGSRING,
41	130100080789	1	O-RING, , Ersetzt/Replaces/Remplace/Udskiftet/Sostituisce 130100080740
42	130100061002	1	DICHTINGSSTUK,



Ref	Onderdeelnummer	Kwt	Beschrijving
1	155700750003	1	POMP, , 16/11ccm-LI, Siehe nächste Seite(n)/See next page(s)/Voir page(s) suivante(s)/Se næste side(r)/Vedere pagin(a/e) sequent(e/i))
2	190003871526	1	MOER, , M12x1,5
3	190003931142	1	BORGRING, , A12
4	130100130036	1	PIGNON, , 25T
5	130100130703	1	DICHTINGSSTUK,
6	130100130704	1	PLAAT,
7	130100010705	3	RING,
8	43127	2	BOUT, Hex, M8 x 25, 8.8,
9	190003901316	2	PEN, , 6m6x16
10	190003800471	2	SCHROEF, , M8x90-8.8
12	190003862346	2	SCHROEF, , M6x45-8.8
13	86531615	6	SCHROEF, Hex Soc Hd, M6 x 20, 8.8, , M6x20-8.8
14	190003931082	4	SLUITRING, , A6
15	1-32-275-005	2	FLENS,
16	1209130084	2	RING, PACKING, , 18x2,5
17	131100130035	1	FLENS,
18	190003559493	1	VERBINDING, , L15, Siehe Kapitel 08/See chapter 08/Voir chapitre 08/Se kapitel 08/Vedere capitolo 08
19	130100130702	1	DICHTINGSSTUK,
20	1409130016	1	BATTERIJHOUDER, , Besteht aus/Consists of/Compose de/Bestående af/È composto da 14, 21 - 25
21	1209130074	1	SEAL ASSY., , 24x29
22	1409130017	1	FLENS,
23	190003559567	1	TONNETJE, , L22
24	190003559510	1	NUT, TUBE, , A L22
25	86531615	4	SCHROEF, Hex Soc Hd, M6 x 20, 8.8, , M6x20-8.8
25	190003860293	2	SCHROEF, , M10x205-10.9
26	,	X	, HYDRAULIKKREISLAUF/CIRCUIT, HYDRAULIC/CIRCUIT HYDRAULIQUE, HYRAULIKKREDSLØB, CIRCUITO IDRAULICO - Siehe Kapitel 05/See chapter 05/Voir chapitre 05/Se kapitel 05/Vedere capitolo 05
27		X	, HYDRAULIKKREISLAUF/CIRCUIT, HYDRAULIC/CIRCUIT HYDRAULIQUE, HYRAULIKKREDSLØB, CIRCUITO IDRAULICO - Siehe Kapitel 08/See chapter 08/Voir chapitre 08/Se kapitel 08/Vedere capitolo 08
28	190003559515	2	MOER, , AL15
29	190003559562	2	TONNETJE, , L15
30	133700750003	1	FLENS, , Besteht aus/Consists of/Compose de/Bestående af/È composto da 31 - 36
31	155700730776	2	O-RING,
32	NSS	2	NIET ALLEEN VERKRIJGBAAR,
33	190003559566	2	TONNETJE, , L28
34	190003559505	2	NUT, TUBE, , AL28
35	155700730741	8	BORGRING,
36	155700730777	8	SCHROEF,



Ref	Onderdeelnummer	Kwt	Beschrijving
A	155700750003	1	POMP, , 16/11ccm-LI, Besteht aus/Consists of/Compose de/Bestående af/È composto da 1 - 41
1	155700750711	1	PUMP, , Besteht aus/Consists of/Compose de/Bestående af/È composto da 2 - 28
2	NSS	1	NIET ALLEEN VERKRIJGBAAR,
3	NSS	1	NIET ALLEEN VERKRIJGBAAR,
4	NSS	1	NIET ALLEEN VERKRIJGBAAR,
5	NSS	1	NIET ALLEEN VERKRIJGBAAR,
6	NSS	1	NIET ALLEEN VERKRIJGBAAR,
7	139900790707	1	FAIRING, LIGHT,
8	139900790708	1	PLUG,
9	NSS	2	NIET ALLEEN VERKRIJGBAAR,
10	NSS	2	NIET ALLEEN VERKRIJGBAAR,
11	NSS	2	NIET ALLEEN VERKRIJGBAAR,
12	139900790710	4	SCHROEF,
13	1407130721	1	AANDRIJFKLAUW,
14	1288730777	1	DICHTINGSRING,
15	155700750701	1	KIT, GASKET, , Besteht aus/Consists of/Compose de/Bestående af/È composto da 16 - 18
16	NSS	2	NIET ALLEEN VERKRIJGBAAR,
17	NSS	2	NIET ALLEEN VERKRIJGBAAR,
18	NSS	2	NIET ALLEEN VERKRIJGBAAR,
20	155700750712	1	PUMP, , Besteht aus/Consists of/Compose de/Bestående af/È composto da 21 - 38
21	NSS	1	NIET ALLEEN VERKRIJGBAAR,
22	NSS	1	NIET ALLEEN VERKRIJGBAAR,
23	1407130707	2	DICHTINGSSTUK,
24	190003934150	1	RING, SNAP, , 30x1,2
25	NSS	1	NIET ALLEEN VERKRIJGBAAR,
26	NSS	1	NIET ALLEEN VERKRIJGBAAR,
27	NSS	1	NIET ALLEEN VERKRIJGBAAR,
28	139900790710	4	SCHROEF,
29	155700750702	1	SPIE,
30	139900790707	1	FAIRING, LIGHT,
31	139900790708	1	PLUG,
32	NSS	2	NIET ALLEEN VERKRIJGBAAR,
33	NSS	2	NIET ALLEEN VERKRIJGBAAR,
34	NSS	2	NIET ALLEEN VERKRIJGBAAR,
35	155700750701	1	KIT, GASKET, , Besteht aus/Consists of/Compose de/Bestående af/È composto da 36 - 38
36	NSS	2	NIET ALLEEN VERKRIJGBAAR,
37	NSS	2	NIET ALLEEN VERKRIJGBAAR,
38	NSS	2	NIET ALLEEN VERKRIJGBAAR,
40	155700750703	2	SCHROEF,
41	1397750704	1	SLUITRING,

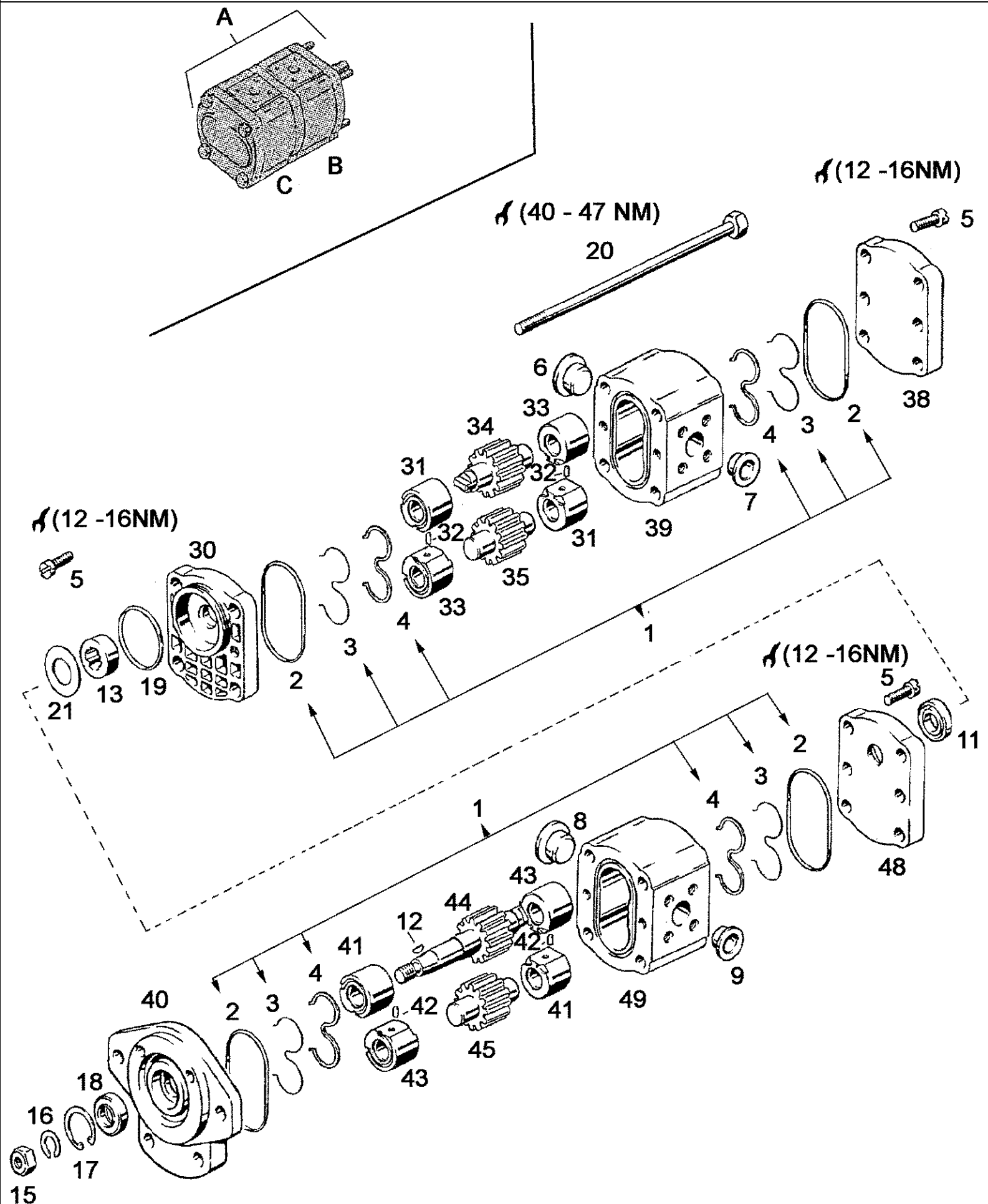


Ref	Onderdeelnummer	Kwt	Beschrijving
	130100130034	1	PACKAGE, CONVERSION, , Besteht aus/Consists of/Compose de/Bestående af/È composto da 1 - 4, 5, 6 - 9, 34
1	130100010004	1	PIGNON,
2	130100010006	1	LAGER, ROL,
3	130100010002	1	LAGERBUS,
4	130100130028	1	DICHTINGSRING,
5	130100130035	1	HUIS,
6	190003962038	1	PLUG, Hex Wash Hd, M22 x 1.5, , A-M22x1,5
7	190003098026	1	DICHTINGSRING, , A22x27-CU
9	130100130037	1	PIGNON,
10	190003860184	1	SCHROEF, , M8x40-10.9
11	190003860183	1	SCHROEF, , M8x65-10.9
12	190003862572	1	SCHROEF, , M10x90-10.9
18	155700750004	1	POMP, , 16/8 cc, Siehe nächste Seite(n)/See next page(s)/Voir page(s) suivante(s)/Se næste side(r)/Vedere pagin(a/e) sequent(e/i)
19	155700750006	1	POMP, , 8cc, Siehe nächste Seite(n)/See next page(s)/Voir page(s) suivante(s)/Se næste side(r)/Vedere pagin(a/e) sequent(e/i)
20	155700750005	1	POMP, , 16cc, Siehe nächste Seite(n)/See next page(s)/Voir page(s) suivante(s)/Se næste side(r)/Vedere pagin(a/e) sequent(e/i)
21	190003862524	2	SCHROEF, , M10x20-8.8
22	1-32-275-005	1	FLENS, , Einschließlich/Includes/Avec/Inklusive/Compreso 23
23	1209130084	1	RING, PACKING, , 18x2,5
24	190003862346	2	SCHROEF, , M6x45-8.8
25	86531615	2	SCHROEF, Hex Soc Hd, M6 x 20, 8.8, , M6x20-8.8
26	190003931082	4	SLUITRING, , A6
27	133700750003	1	FLENS, , Einschließlich/Includes/Avec/Inklusive/Compreso 28
28	1780340207	1	O-RING, , 24x29
29	140100010708	1	DICHTINGSSTUK,
30	190007990304	1	PAKKINGSVLOEISTOF,
31	130100010005	1	DICHTINGSSTUK,
32	1409130016	1	BATTERIJHOUDER,
33		1	, SCHLAUCH/HOSE/FLEXIBLE/SLANGE/TUBO FLESSIBILE - Siehe Kapitel 08/See chapter 08/Voir chapitre 08/Se kapitel 08/Vedere capitolo 08
34		1	, SCHLAUCH/HOSE/FLEXIBLE/SLANGE/TUBO FLESSIBILE - Siehe Kapitel 08/See chapter 08/Voir chapitre 08/Se kapitel 08/Vedere capitolo 08
35		1	, DECKEL/COVER/CACHET/DÆKSEL/COPERCHIO - Siehe Motorblock, Frontdeckel/See cylinder block, front cover/Voir convercle avant de bloc-cylindres/Se motorblok, frontdæksel/Vedere monoblocco, coperchio frontale





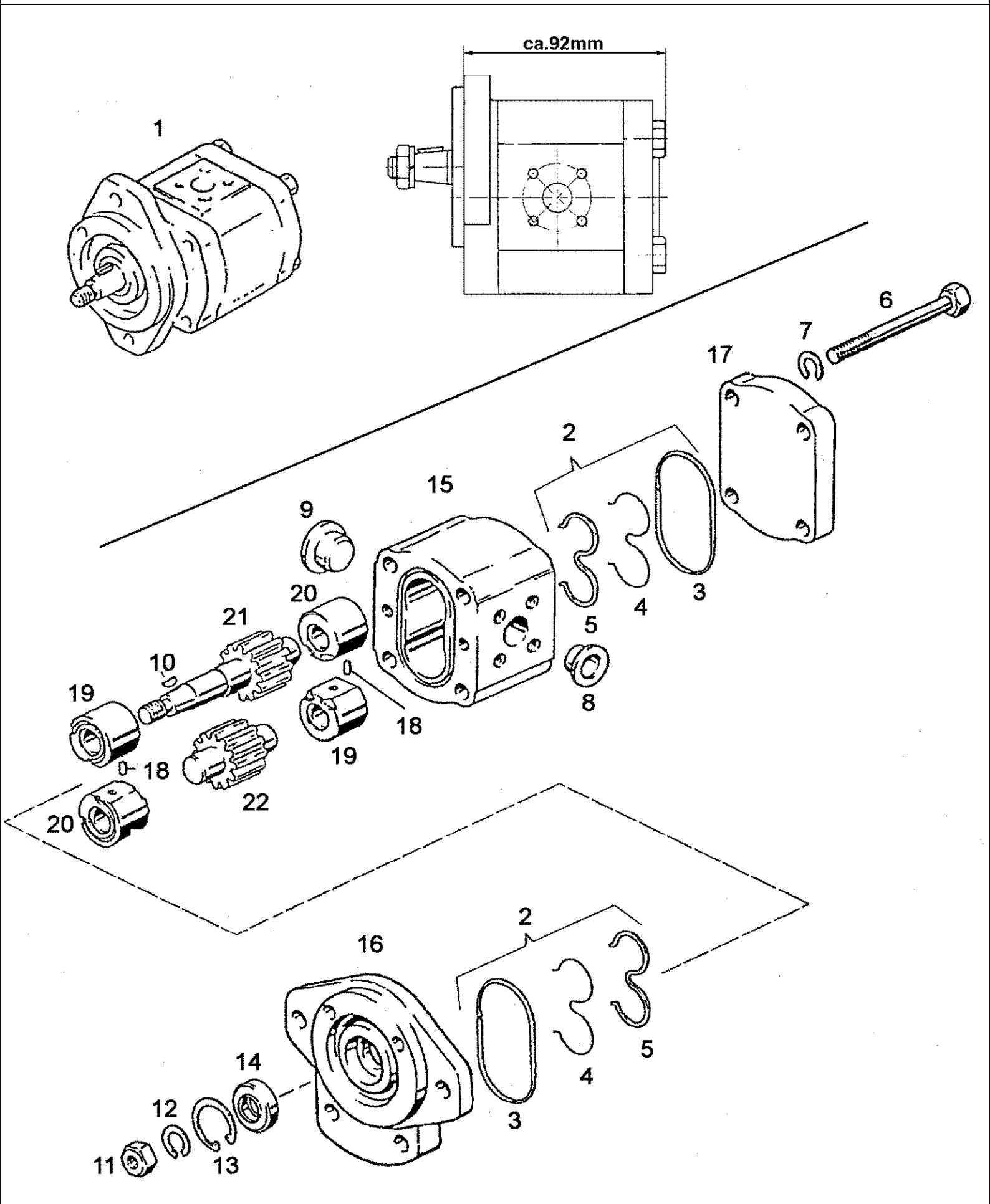
Ref	Onderdeelnummer	Kwt	Beschrijving
	130100130058	1	PACKAGE, CONVERSION, , Besteht aus/Consists of/Compose de/Bestående af/È composto da 1 - 4, 5, 6 - 9
1	130100010004	1	PIGNON,
2	130100010006	1	LAGER, ROL,
3	130100010002	1	LAGERBUS,
4	130100130028	1	DICHTINGSRING,
5	130100130059	1	HUIS, , 01799 ---->
6	190003962038	1	PLUG, Hex Wash Hd, M22 x 1.5, , A-M22x1,5
7	190003098026	1	DICHTINGSRING, , A22x27-CU
8	130100130060	2	SPANSTIFT,
9	130100130037	1	PIGNON,
10	190003860184	1	SCHROEF, , M8x40-10.9
11	190003860183	1	SCHROEF, , M8x65-10.9
12	190003862572	1	SCHROEF, , M10x90-10.9
18	155700750004	1	POMP, , 16/8 cc, Siehe nächste Seite(n)/See next page(s)/Voir page(s) suivante(s)/Se næste side(r)/Vedere pagin(a/e) sequent(e/i)
19	155700750006	1	POMP, , 8cc, Siehe nächste Seite(n)/See next page(s)/Voir page(s) suivante(s)/Se næste side(r)/Vedere pagin(a/e) sequent(e/i)
20	155700750005	1	POMP, , 16cc, Siehe nächste Seite(n)/See next page(s)/Voir page(s) suivante(s)/Se næste side(r)/Vedere pagin(a/e) sequent(e/i)
21	190003862524	2	SCHROEF, , M10x20-8.8
22	1-32-275-005	1	FLENS, , Einschließlich/Includes/Avec/Inklusive/Compreso 23
23	1209130084	1	RING, PACKING, , 18x2,5
24	190003862346	2	SCHROEF, , M6x45-8.8
25	86531615	2	SCHROEF, Hex Soc Hd, M6 x 20, 8.8, , M6x20-8.8
26	190003931082	4	SLUITRING, , A6
27	133700750003	1	FLENS, , Einschließlich/Includes/Avec/Inklusive/Compreso 28
28	1780340207	1	O-RING, , 24x29
29	140100010708	1	DICHTINGSSTUK,
30	190007990304	1	PAKKINGSVLOEISTOF,
32	1409130016	1	BATTERIJHOUDER,
33		1	, SCHLAUCH/HOSE/FLEXIBLE/SLANGE/TUBO FLESSIBILE - Siehe Kapitel 08/See chapter 08/Voir chapitre 08/Se kapitel 08/Vedere capitolo 08
34		1	, SCHLAUCH/HOSE/FLEXIBLE/SLANGE/TUBO FLESSIBILE - Siehe Kapitel 08/See chapter 08/Voir chapitre 08/Se kapitel 08/Vedere capitolo 08
35		1	, DECKEL/COVER/CACHET/DÆKSEL/COPERCHIO - Siehe Motorblock, Frontdeckel/See cylinder block, front cover/Voir convercle avant de bloc-cylindres/Se motorblok, frontdæksel/Vedere monoblocco, coperchio frontale



## 955 STEYR TRACTOR (2/92-6/97) - Motor

## 02-30(01) PUMP, TANDEM - DISASSEMBLED

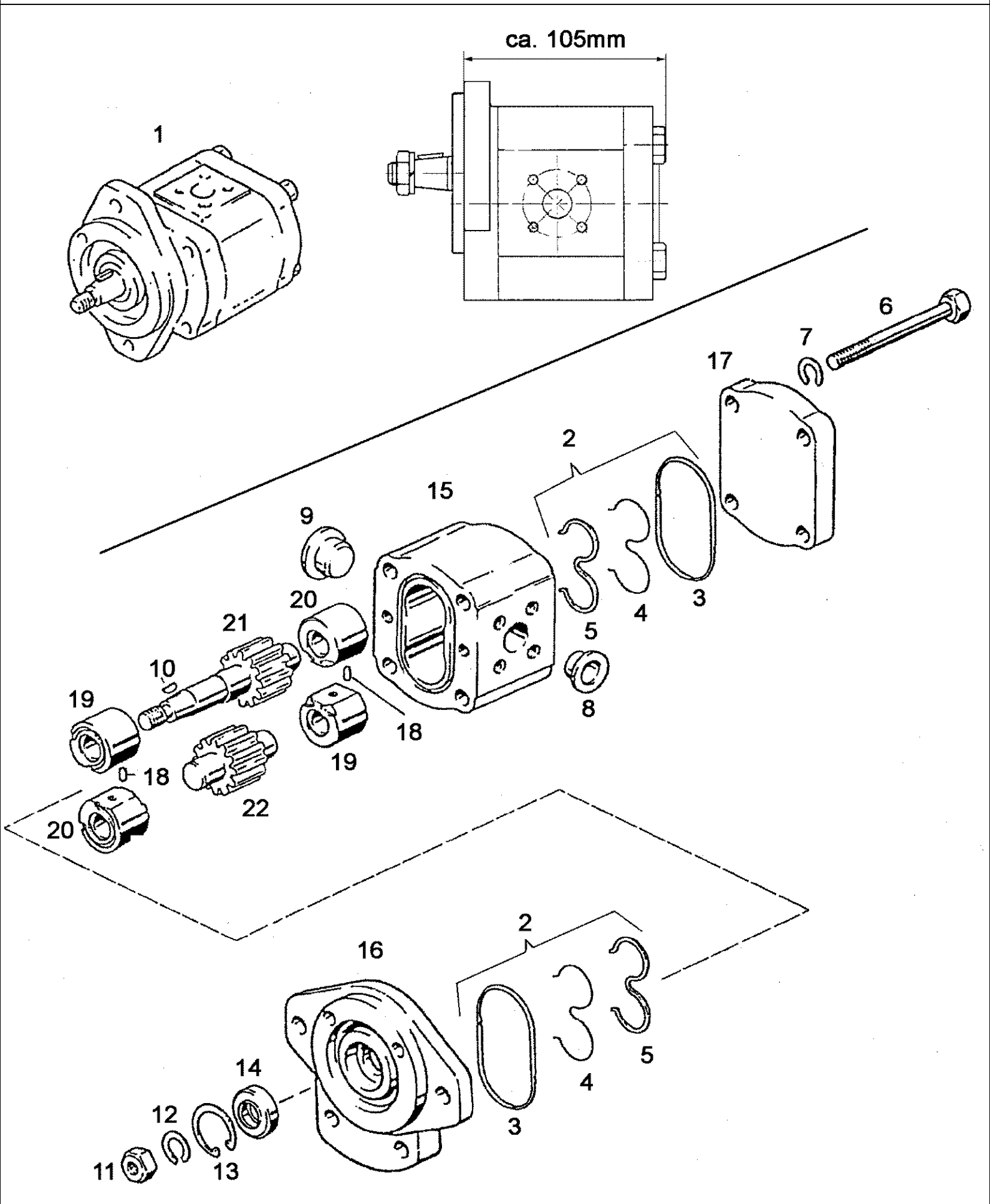
Ref	Onderdeelnummer	Kwt	Beschrijving
A	155700750004	1	POMP, , 16/8 cc, Besteht aus/Consists of/Compose de/Bestående af/È composto da de B + C
B	NSS	1	NIET ALLEEN VERKRIJGBAAR,
C	NSS	1	NIET ALLEEN VERKRIJGBAAR,
1	1397750702	2	KIT, GASKET, , Besteht aus/Consists of/Compose de/Bestående af/È composto da 2 -4
2	NSS	2	NIET ALLEEN VERKRIJGBAAR,
3	NSS	2	NIET ALLEEN VERKRIJGBAAR,
4	NSS	2	NIET ALLEEN VERKRIJGBAAR,
5	139900790710	6	SCHROEF,
6	139900790708	1	PLUG,
7	140800081099	1	FAIRING, LIGHT,
8	155700750707	1	FAIRING, LIGHT,
9	155700750706	1	FAIRING, LIGHT,
11	1407130707	2	DICHTINGSSTUK,
12	190003960801	1	VEER, , 3x5
13	139900790718	1	AANDRIJFKLAUW,
15	190003871526	1	MOER, , M12x1,5
16	155700750705	1	BORGRING,
17	190003934150	1	RING, SNAP, , 30x1,2
18	155700750704	2	DICHTINGSRING,
19	1288730777	1	DICHTINGSRING,
20	155700750708	2	SCHROEF,
21	NSS	1	NIET ALLEEN VERKRIJGBAAR,
31	NSS	2	NIET ALLEEN VERKRIJGBAAR,
32	NSS	2	NIET ALLEEN VERKRIJGBAAR,
33	NSS	2	NIET ALLEEN VERKRIJGBAAR,
34	NSS	1	NIET ALLEEN VERKRIJGBAAR,
35	NSS	1	NIET ALLEEN VERKRIJGBAAR,
38	NSS	1	NIET ALLEEN VERKRIJGBAAR,
39	NSS	1	NIET ALLEEN VERKRIJGBAAR,
40	NSS	1	NIET ALLEEN VERKRIJGBAAR,
41	NSS	2	NIET ALLEEN VERKRIJGBAAR,
42	NSS	2	NIET ALLEEN VERKRIJGBAAR,
43	NSS	2	NIET ALLEEN VERKRIJGBAAR,
44	NSS	1	NIET ALLEEN VERKRIJGBAAR,
45	NSS	1	NIET ALLEEN VERKRIJGBAAR,
48	NSS	1	NIET ALLEEN VERKRIJGBAAR,
49	NSS	1	NIET ALLEEN VERKRIJGBAAR,



955 STEYR TRACTOR (2/92-6/97) - Motor

02-31(01) HYDRAULIC PUMP - DISASSEMBLED

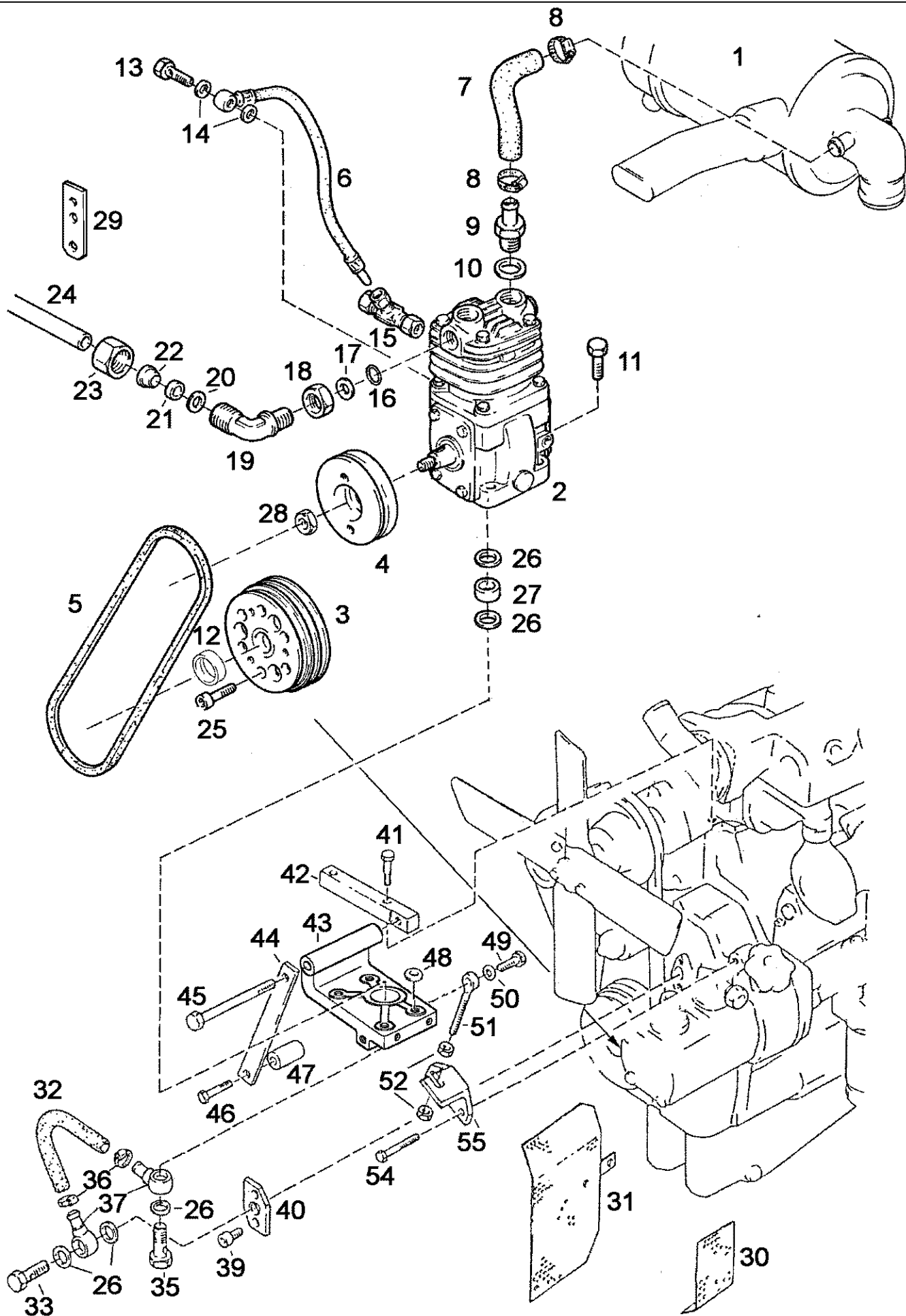
Ref	Onderdeelnummer	Kwt	Beschrijving
1	155700750006	1	POMP, , 8cc, Besteht aus/Consists of/Compose de/Bestående af/È composto da 2 - 22
2	1397750702	1	KIT, GASKET, , Besteht aus/Consists of/Compose de/Bestående af/È composto da 3 - 5
3	NSS	2	NIET ALLEEN VERKRIJGBAAR,
4	NSS	2	NIET ALLEEN VERKRIJGBAAR,
5	NSS	2	NIET ALLEEN VERKRIJGBAAR,
6	139900790717	4	SCHROEF,
7	141100090718	4	BORGRING,
8	139900790708	1	PLUG,
9	155700750707	1	FAIRING, LIGHT,
10	190003960801	1	VEER, , 3x5
11	190003871526	1	MOER, , M12x1,5
12	155700750705	1	BORGRING,
13	190003934150	1	RING, SNAP, , 30x1,2
14	1407130707	1	DICTINGSSTUK,
15	NSS	1	NIET ALLEEN VERKRIJGBAAR,
16	NSS	1	NIET ALLEEN VERKRIJGBAAR,
17	NSS	1	NIET ALLEEN VERKRIJGBAAR,
18	NSS	2	NIET ALLEEN VERKRIJGBAAR,
19	NSS	2	NIET ALLEEN VERKRIJGBAAR,
20	NSS	2	NIET ALLEEN VERKRIJGBAAR,
21	NSS	1	NIET ALLEEN VERKRIJGBAAR,
22	NSS	1	NIET ALLEEN VERKRIJGBAAR,



955 STEYR TRACTOR (2/92-6/97) - Motor

02-32(01) HYDRAULIC PUMP - DISASSEMBLED

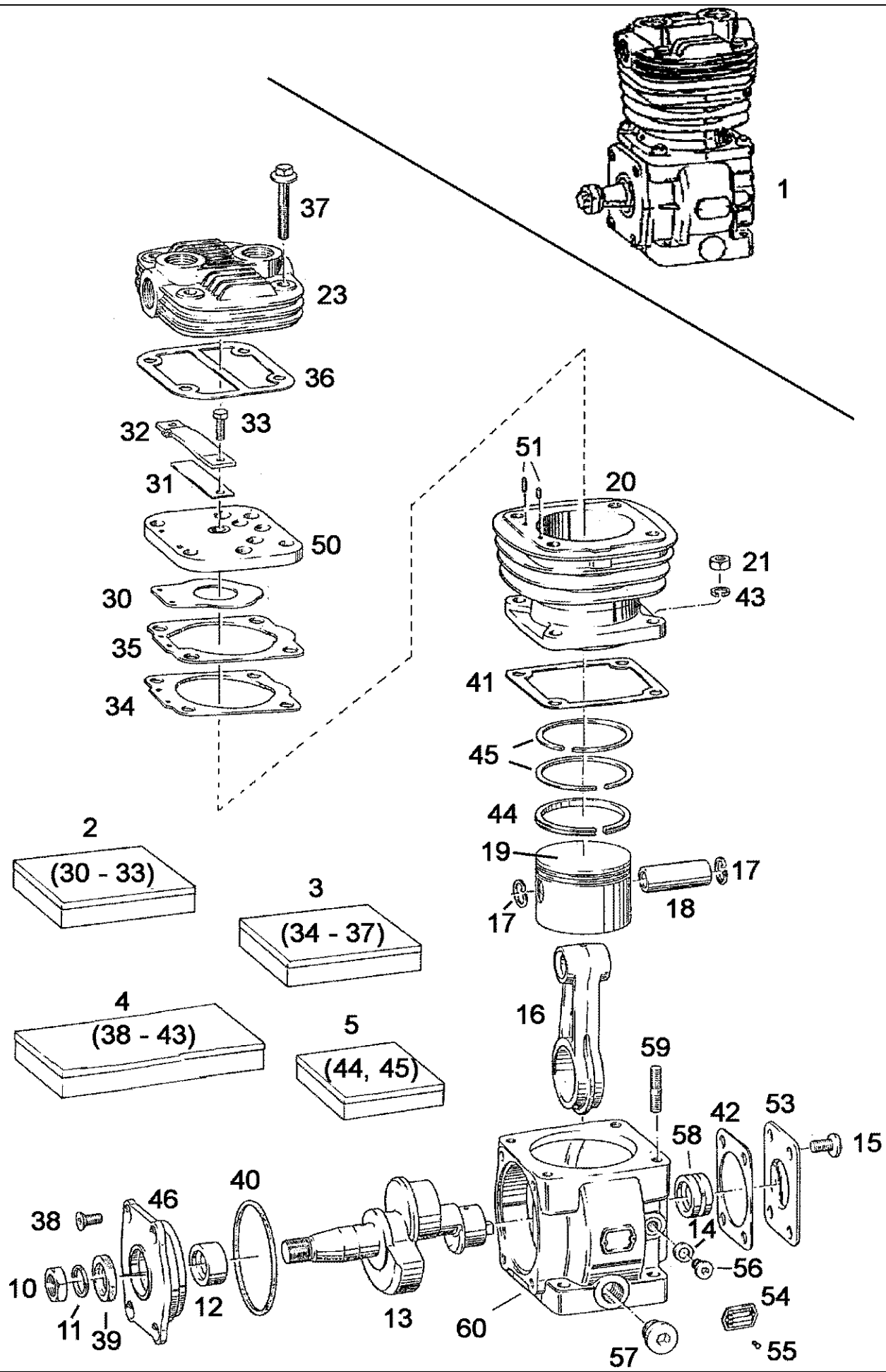
Ref	Onderdeelnummer	Kwt	Beschrijving
1	155700750005	1	POMP, , 16cc, Besteht aus/Consists of/Compose de/Bestående af/È composto da 2 - 22
2	1397750702	1	KIT, GASKET, , Besteht aus/Consists of/Compose de/Bestående af/È composto da 3 - 5
3	NSS	2	NIET ALLEEN VERKRIJGBAAR,
4	NSS	2	NIET ALLEEN VERKRIJGBAAR,
5	NSS	2	NIET ALLEEN VERKRIJGBAAR,
6	190003802578	4	SCHROEF, , M10x95-10.9
7	161460080743	4	BORGRING,
8	155700750706	1	FAIRING, LIGHT,
9	155700750707	1	FAIRING, LIGHT,
10	190003960801	1	VEER, , 3x5
11	190003871526	1	MOER, , M12x1,5
12	155700750705	1	BORGRING,
13	190003934150	1	RING, SNAP, , 30x1,2
14	155700750704	1	DICHTINGSRING,
15	NSS	1	NIET ALLEEN VERKRIJGBAAR,
16	NSS	1	NIET ALLEEN VERKRIJGBAAR,
17	NSS	1	NIET ALLEEN VERKRIJGBAAR,
18	NSS	2	NIET ALLEEN VERKRIJGBAAR,
19	NSS	2	NIET ALLEEN VERKRIJGBAAR,
20	NSS	2	NIET ALLEEN VERKRIJGBAAR,
21	NSS	1	NIET ALLEEN VERKRIJGBAAR,
22	NSS	1	NIET ALLEEN VERKRIJGBAAR,





Ref	Onderdeelnummer	Kwt	Beschrijving
1		1	, LUFTFILTER/FILTER, AIR/FILTRE A AIR/LUFTFILTER/FILTRO DELL'ARIA - Siehe Luftansaugsystem/See air induction system/Voir systeme d'admission d'air/Se luftindsugningssystem/Vedere sistema di presa d'aria
2	130100130045	1	COMPRESSOR, , Wahlweise/Optional/En option/Efter valg/A scelta - Siehe nächste Seite(n)/See next page(s)/Voir page(s) suivante(s)/Se næste side(r)/Vedere pagin(a/e) sequent(e/i)
2	130100130046	1	COMPRESSOR, , Wahlweise/Optional/En option/Efter valg/A scelta
3	130100020007	1	RIEMSCHIJF, , Siehe Kurbelwelle/See crankshaft/Voir vilebrequin/Se krumtapaksel/Vedere albero motore
4	130100130033	1	RIEMSCHIJF,
5	130100130041	1	V-BELT, , 13x1250
6	130100130040	1	LEIDING,
7	141100130011	1	FLEXIBELE BUIS,
8	190003989340	2	KLEM, , 22/29
9	141100130012	1	FLEXIBELE BUIS,
10	190003098031	1	DICHTINGSRING, , A26x31-CU
11	15213321	4	BOUT, Hex, M8 x 35, 8.8,
12	137700290080	1	RESERVERING,
13	190003962607	1	VERBINDINGSBOUT, , 6-3
14	190003098010	2	DICHTINGSRING, , A10x13,5-CU
15	190003551259	1	FITTING, , LL6
16	1406050013	1	O-RING,
17	199000360409	1	RING, THRUST,
18	190003559778	1	MOER, , M26x1,5-PH
19	199000360410	1	KOPPELING,
20	190003559539	1	SEAL ASSY., , D12-ZINK
21	190003559538	1	RING, THRUST, , AL15
22	190003559562	1	TONNETJE, , L15
23	190003559520	1	NUT, TUBE, , L15
24	1-33-136-087	1	LEIDING,
25	190003862540	6	SCHROEF, , M10x45-10.9
26	190003098026	5	DICHTINGSRING, , A22x27-CU
27	130100130043	1	AFSTANDSRING,
28	906009R1	1	MOER, Thin, M18 x 1.5, CI 04, , BM18x1,5
29	1-33-147-031	1	STEUNBEUGEL,
30	1-33-136-125	1	SHEET ASSY.,
31	1-33-136-120	1	BESCHERMPLAAT,
32	1614150045	1	FLEXIBELE BUIS, , 13x20, Länge/Length/Longuer/Længde/Lunghezza 260mm
33	190003962643	1	VIJZELSCHROEF, , 18-3
35	190003962644	1	VIJZELSCHROEF, , 18-S
36	190003989336	2	BUISKLEM, , 16/22
37	130100130039	2	VERBINDINGSBOUT,

Ref	Onderdeelnummer	Kwt	Beschrijving
39	190003862419	2	SCHROEF, , M8X16-8.8
40	130100130044	1	COVER,
41	190003802642	2	SCHROEF, , M12x45-8.8
42	140100130053	1	STEUNBEUGEL,
43	140100130150	1	SUPPORT,
44	140100130054	1	BOW,
45	190003800699	1	SCHROEF, , M12x160-8.8
46	190003800657	1	SCHROEF, , M12x75-8.8
47	140100130055	1	LAGER,KOPPELING DRUKPLAA,
48	190003930261	4	SLUITRING, , A8,4
49	190003802632	1	SCHROEF, , M12x35-8.8
50	190003930282	1	SCHIJF, , A13
51	130100130054	1	SCHROEF,
52	190003880090	2	MOER, , M12-8
54	190003800465	2	SCHROEF, , M8x80-8.8
55	130100130053	1	SUPPORT,



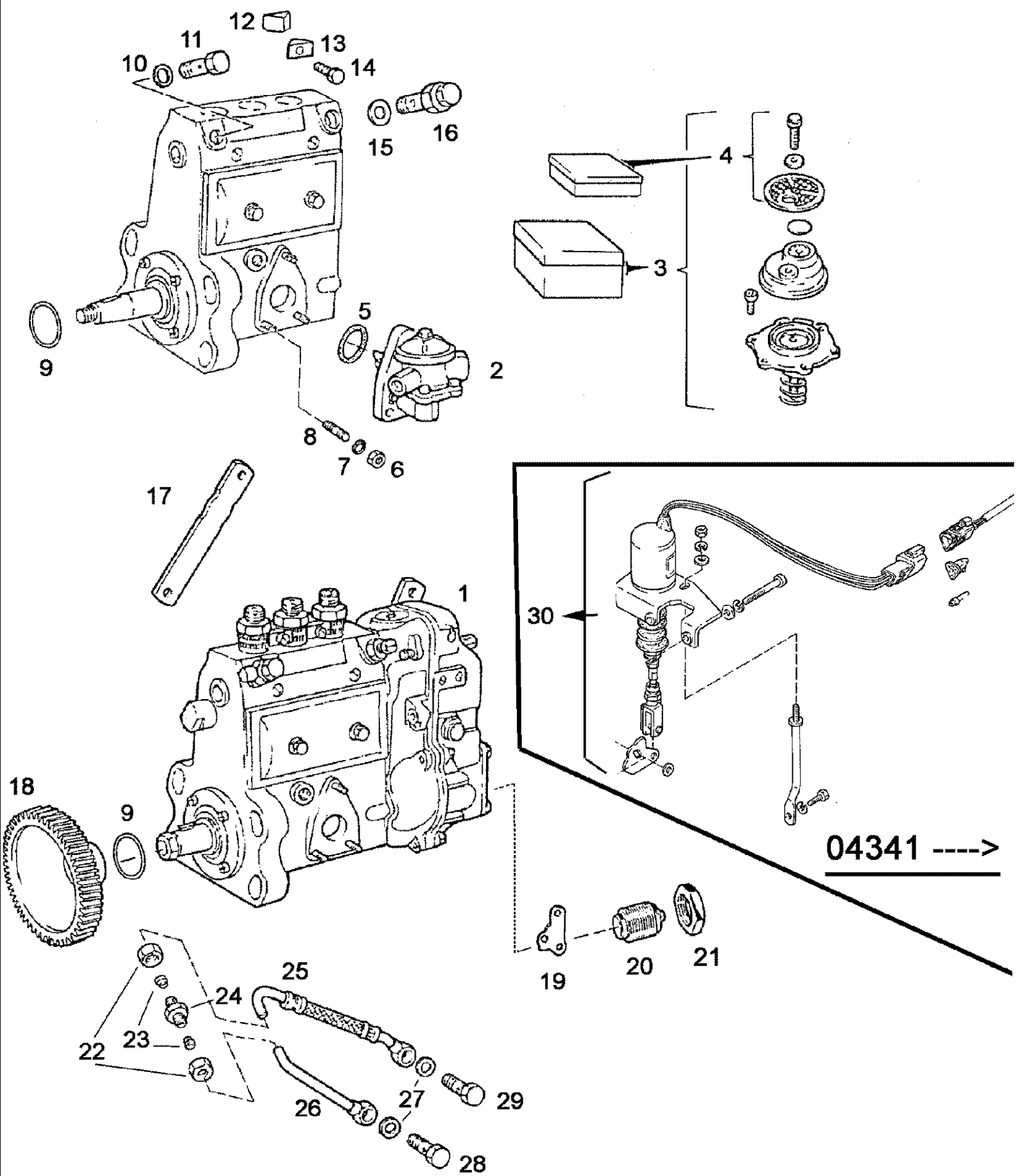
Ref	Onderdeelnummer	Kwt	Beschrijving
1	130100130045	1	COMPRESSOR, , Besteht aus/Consists of/Compose de/Bestående af/È composto da 2 - 60
2	130100130705	1	RIB, , Besteht aus/Consists of/Compose de/Bestående af/È composto da 30 - 33
3	130100130706	1	SET, , Besteht aus/Consists of/Compose de/Bestående af/È composto da 34 - 37
4	130100130708	1	DICHTINGSSTUK, , Besteht aus/Consists of/Compose de/Bestående af/È composto da 38 - 43
5	130100130707	1	ZUIGERRING, , Besteht aus/Consists of/Compose de/Bestående af/È composto da 44, 45
10	906009R1	1	MOER, Thin, M18 x 1.5, CI 04, , BM18x1,5
11	190003931201	1	BORGRING, , A18
12	130100130709	1	LAGERBUS,
13	161200130749	1	KRUKAS,
14	190003098010	1	DICHTINGSRING, , A10x13,5-CU
15	190003802426	4	SCHROEF,
16	130100130710	1	VERBINDINGSSTANG,
17	130100130711	2	RING,
18	161200130752	1	PIN, LARGE,
19	130100130712	1	ZUIGER, , Ø 74,95 mm
20	161200130758	1	CYLINDER,
21	43362	4	MOER, M8, CI 10,
23	161200130740	1	KRIK,
30	NSS	1	NIET ALLEEN VERKRIJGBAAR,
31	NSS	1	NIET ALLEEN VERKRIJGBAAR,
32	NSS	1	NIET ALLEEN VERKRIJGBAAR,
33	NSS	2	NIET ALLEEN VERKRIJGBAAR,
34	NSS	1	NIET ALLEEN VERKRIJGBAAR,
35	NSS	1	NIET ALLEEN VERKRIJGBAAR,
36	NSS	1	NIET ALLEEN VERKRIJGBAAR,
37	NSS	4	NIET ALLEEN VERKRIJGBAAR,
38	NSS	4	NIET ALLEEN VERKRIJGBAAR,
39	NSS	1	NIET ALLEEN VERKRIJGBAAR,
40	NSS	1	NIET ALLEEN VERKRIJGBAAR,
41	NSS	1	NIET ALLEEN VERKRIJGBAAR,
42	NSS	1	NIET ALLEEN VERKRIJGBAAR,
43	190003931102	4	BORGRING, , A8
44	NSS	1	NIET ALLEEN VERKRIJGBAAR,
45	NSS	2	NIET ALLEEN VERKRIJGBAAR,
46	NSS	1	NIET ALLEEN VERKRIJGBAAR,
50	NSS	1	NIET ALLEEN VERKRIJGBAAR,
51	NSS	2	NIET ALLEEN VERKRIJGBAAR,
53	NSS	1	NIET ALLEEN VERKRIJGBAAR,
54	NSS	1	NIET ALLEEN VERKRIJGBAAR,
55	NSS	2	NIET ALLEEN VERKRIJGBAAR,
56	NSS	1	NIET ALLEEN VERKRIJGBAAR,

955 STEYR TRACTOR (2/92-6/97) - Motor

02-34(01) COMPRESSOR - DISASSEMBLED

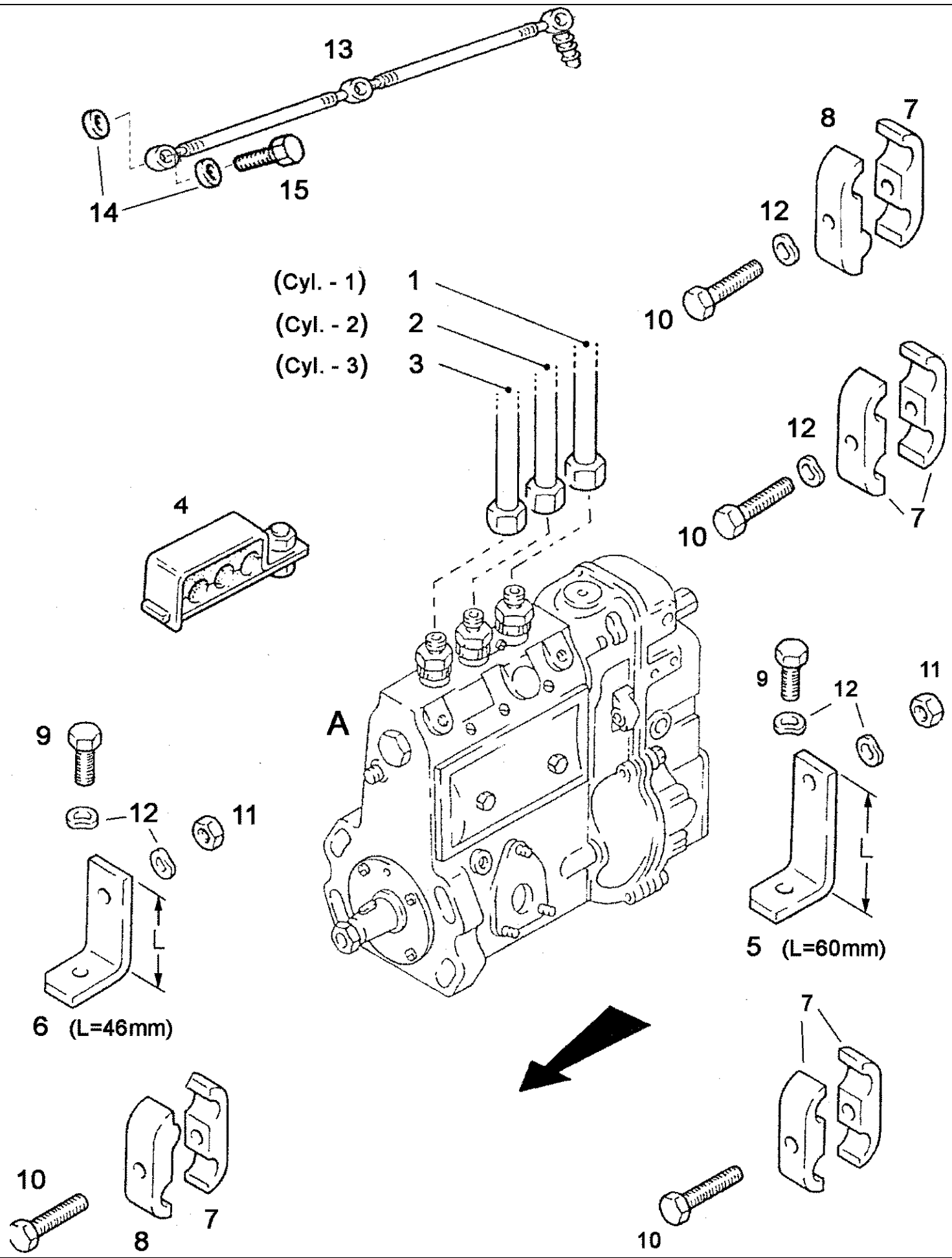
Ref	Onderdeelnummer	Kwt	Beschrijving
57	NSS	2	NIET ALLEEN VERKRIJGBAAR,
58	NSS	1	NIET ALLEEN VERKRIJGBAAR,
59	NSS	4	NIET ALLEEN VERKRIJGBAAR,
60	NSS	1	NIET ALLEEN VERKRIJGBAAR,



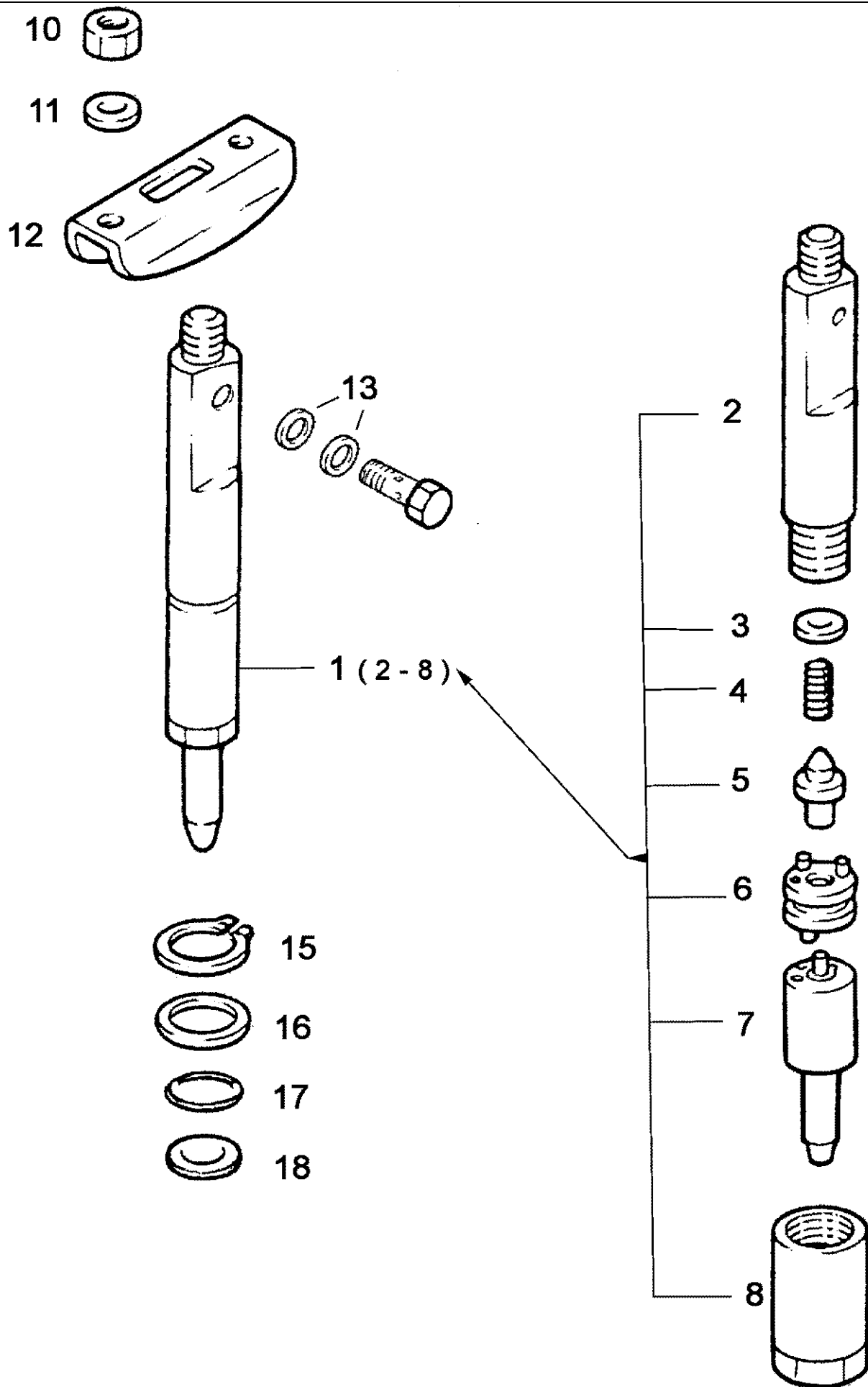


Ref	Onderdeelnummer	Kwt	Beschrijving
1	130142080704	1	INJECTIEPOMP,
2	130100080733	1	PUMP, FEED, , Einschließlich/Includes/Avec/Inklusive/Compreso 3, 4
3	130100080735	1	PACKAGE, REPAIR, , Einschließlich/Includes/Avec/Inklusive/Compreso 4
4	130100080734	1	PACKAGE, REPAIR,
5	130100080703	1	DICHTINGSRING, , 38x3
6	15896221	3	MOER, M6, CI 10, , M6-8
7	190003932008	3	WASHER, SPRING, , B6
8	130100080711	3	TAPEIND,
9	130100080789	1	O-RING,
10	190003098015	1	DICHTINGSRING, , A14x20-CU
11	130100080701	1	VIJZELSCHROEF,
12	130100080780	2	ANKER,
13	130100080716	2	ANKER,
14	190003822359	2	SCHROEF, , M6x30-4.8
15	190003098015	2	DICHTINGSRING, , A14x20-CU
16	130100080788	1	VIJZELSCHROEF, , Überlaufventil/Overflow valve/Soupape de trop-plein/Overløbsventil/Valvola di troppo pieno
17	130100080715	1	HEFBOOM, , ----> .....
17	140100080009	1	HEFBOOM, , ..... ---->
18	130100080766	1	TANDWIEL BIJ WIEL,
19	130100080743	1	HEFBOOM,
20	130142080701	1	VEER,
21	130100080722	1	MOER,
22	190003559516	2	NUT, TUBE, , AL6
23	190003559561	2	TONNETJE, , L6
24	190003559462	1	FITTING, , L6
25	130100080775	1	LEIDING,
26	130100080778	1	LEIDING,
27	190003098010	4	DICHTINGSRING, , A10x13,5-CU
28	130100080765	1	VIJZELSCHROEF,
29	130100080702	1	VIJZELSCHROEF,
30		1	ABSTELLEINHEIT/STOP UNIT/UNITE D'ARRET/FRAKOBLINGSENHED/UNITÀ DI ARRESTO - Siehe Kapitel 4, Elektrische Schalter/See chapter 4, Switches/Voir chapitre 4, Contacteurs/Se kapitel 04, Elektr. schalter /Vedere capitolo 04, Interruttori elettrici

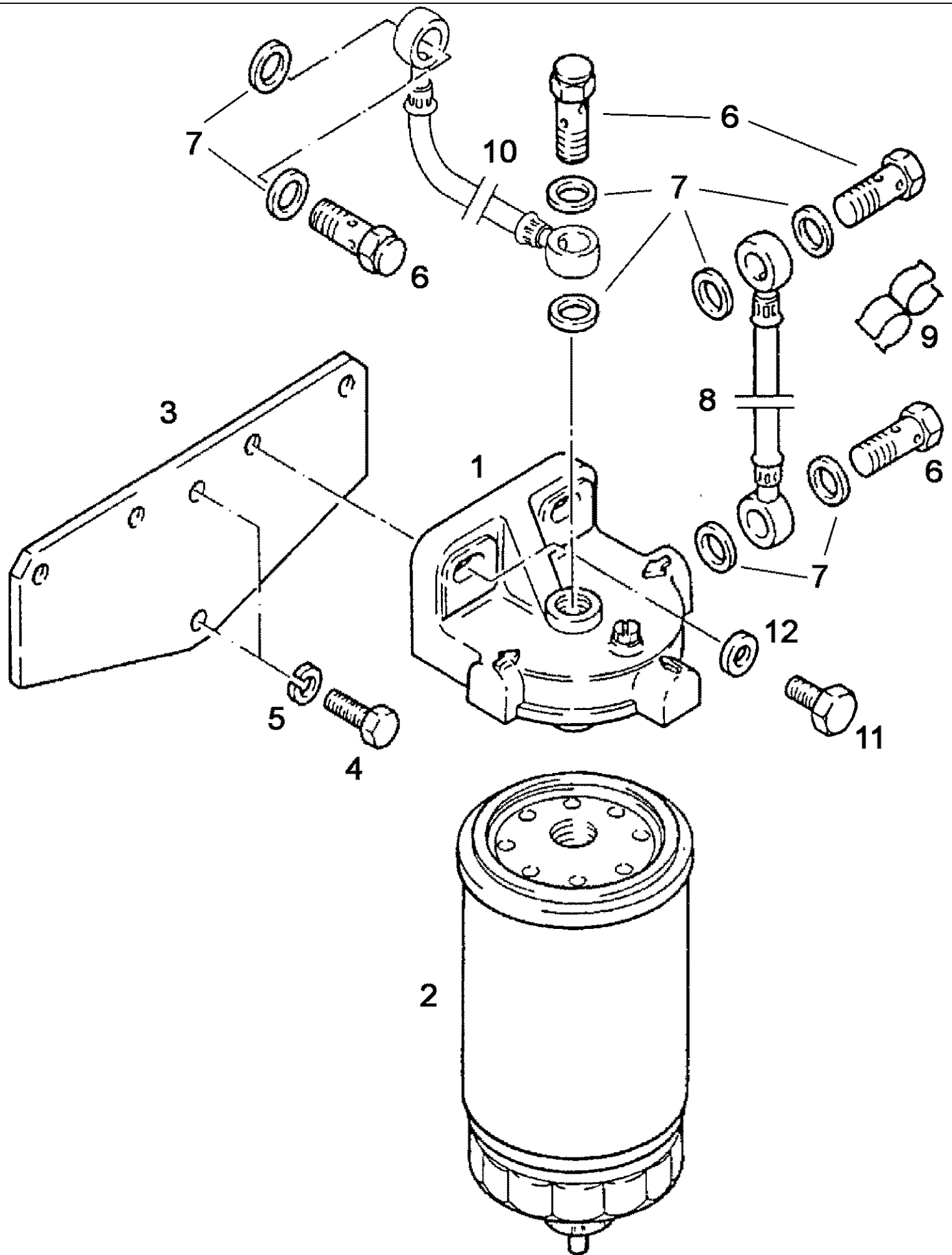




Ref	Onderdeelnummer	Kwt	Beschrijving
A		1	EINSPRITZPUMPE/PUMP, INJECTION/POMPE D'INJECTION/INDSPRØJTNINGSPUMPE/POMPA D'INIEZIONE - Siehe Seite(n) vorne/See page(s) before/Voir page(s) avant(es)/Se side(r) forrest/Vedere pagin(a/e) precedent(e/i)
1	130100080781	1	INSPUITLEIDING,
2	130100080782	1	INSPUITLEIDING,
3	130100080783	1	INSPUITLEIDING,
4	130100080704	1	LEIDINGKLEM,
5	130100080770	1	HOEKSTUK,
6	130100080769	1	HOEKSTUK,
7	130100080771	6	CLAMP,
8	130100080772	2	CLAMP,
9	86977726	2	BOUT, Hex, M6 x 12, 8.8,
10	190003802336	4	SCHROEF, , M6x25-8.8
11	15896221	2	MOER, M6, CI 10, , M6-8
12	190003932008	6	WASHER, SPRING, , B6
13	130100080787	1	LEIDING,
14	190003098006	6	DICHTINGSRING, , A6X10-CU
15	130100080738	3	VIJZELSCHROEF,

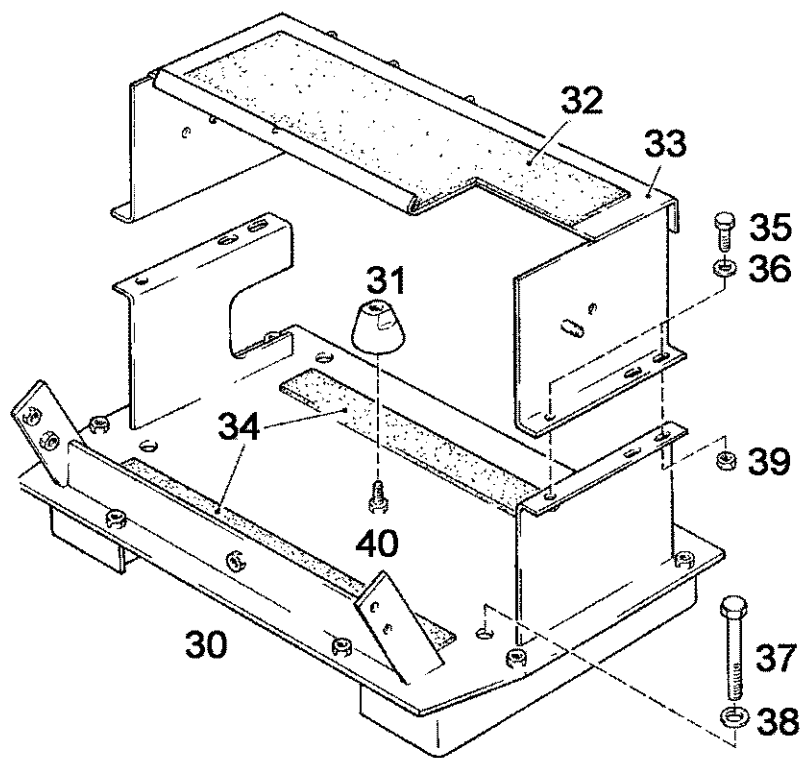
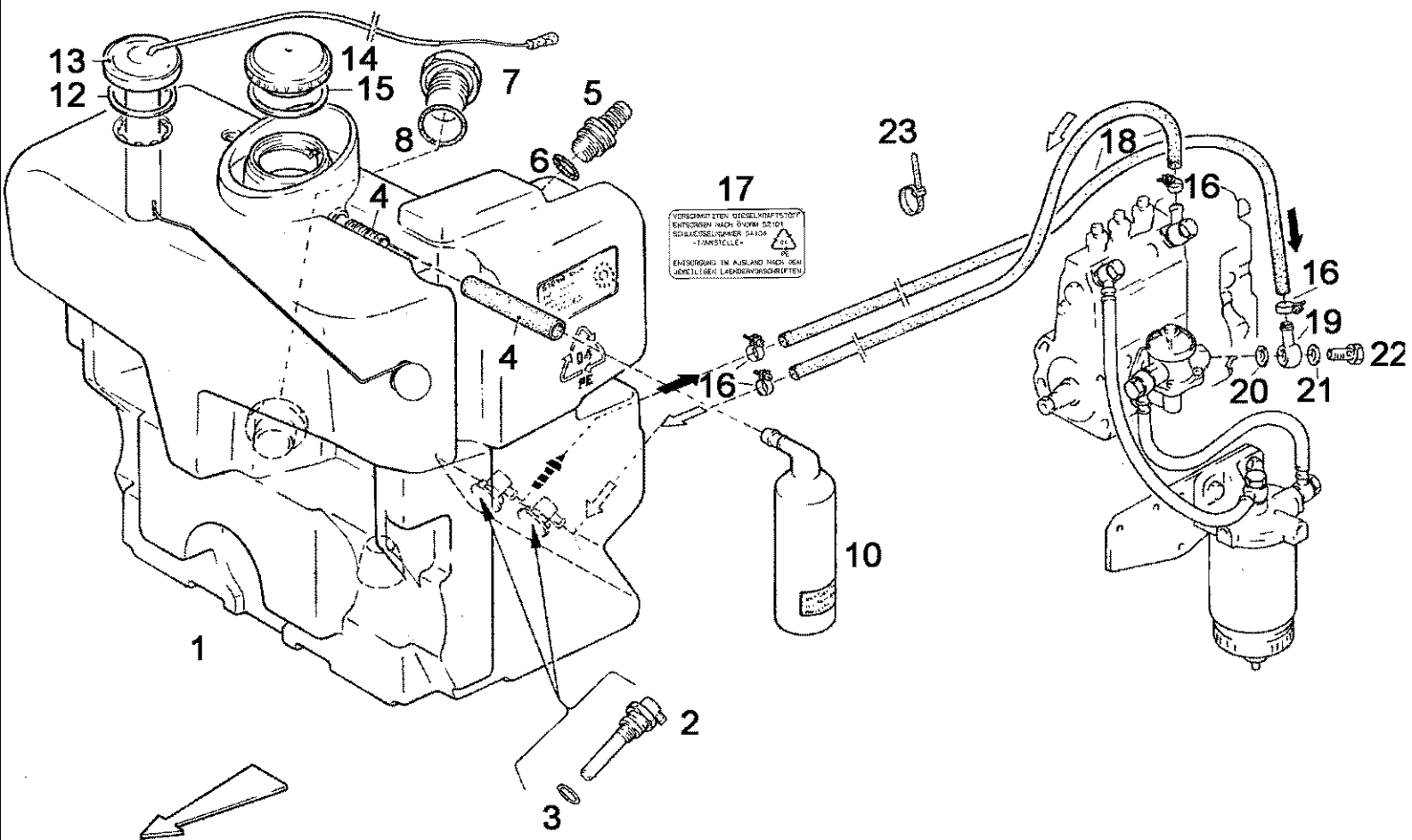


Ref	Onderdeelnummer	Kwt	Beschrijving
1	130142080702	3	HOLDER NOZZLE, , Besteht aus/Consists of/Compose de/Bestående af/È composto da 2 - 8
2	NSS	3	NIET ALLEEN VERKRIJGBAAR,
3	130100080723	X	DIKTEPLAAT, , 1,00mm
3	130100080724	X	DIKTEPLAAT, , 1,06mm
3	130100080725	X	DIKTEPLAAT, , 1,10mm
3	130100080726	X	DIKTEPLAAT, , 1,16mm
3	130100080727	X	DIKTEPLAAT, , 1,20mm
3	130100080746	X	DIKTEPLAAT, , 1,26mm
3	130100080747	X	DIKTEPLAAT, , 1,30mm
3	130100080748	X	DIKTEPLAAT, , 1,36mm
3	130100080749	X	DIKTEPLAAT, , 1,40mm
3	130100080750	X	DIKTEPLAAT, , 1,46mm
3	130100080751	X	DIKTEPLAAT, , 1,50mm
3	130100080752	X	DIKTEPLAAT, , 1,56mm
3	130100080753	X	DIKTEPLAAT, , 1,60mm
3	130100080754	X	DIKTEPLAAT, , 1,66mm
3	130100080755	X	DIKTEPLAAT, , 1,70mm
3	130100080756	X	DIKTEPLAAT, , 1,76mm
3	130100080757	X	DIKTEPLAAT, , 1,80mm
3	130100080758	X	DIKTEPLAAT, , 1,86mm
3	130100080759	X	DIKTEPLAAT, , 1,90mm
3	130100080760	X	DIKTEPLAAT, , 1,96mm
4	130100080742	3	SPRING, COMPRESSION,
5	130100080739	3	PIN, LARGE,
6	130100080745	3	SLUITRING,
7	130142080703	3	SPROEIER,
8	130100080744	3	NUT, TUBE,
10	43362	6	MOER, M8, CI 10,
11	130100080794	6	SCHIJF,
12	130100080767	3	BAIL,
13	190003098006	6	DICHTINGSRING, , A6X10-CU
14	130100080738	3	VIJZELSCHROEF,
15	190003933103	3	RING, SNAP, , 21x1,2
16	130100080764	3	SCHIJF,
17	130100080736	3	DICHTINGSRING,
18	130100080705	3	DICHTINGSRING,



## 03-04(01) FUEL FILTER AND CONNECTIONS

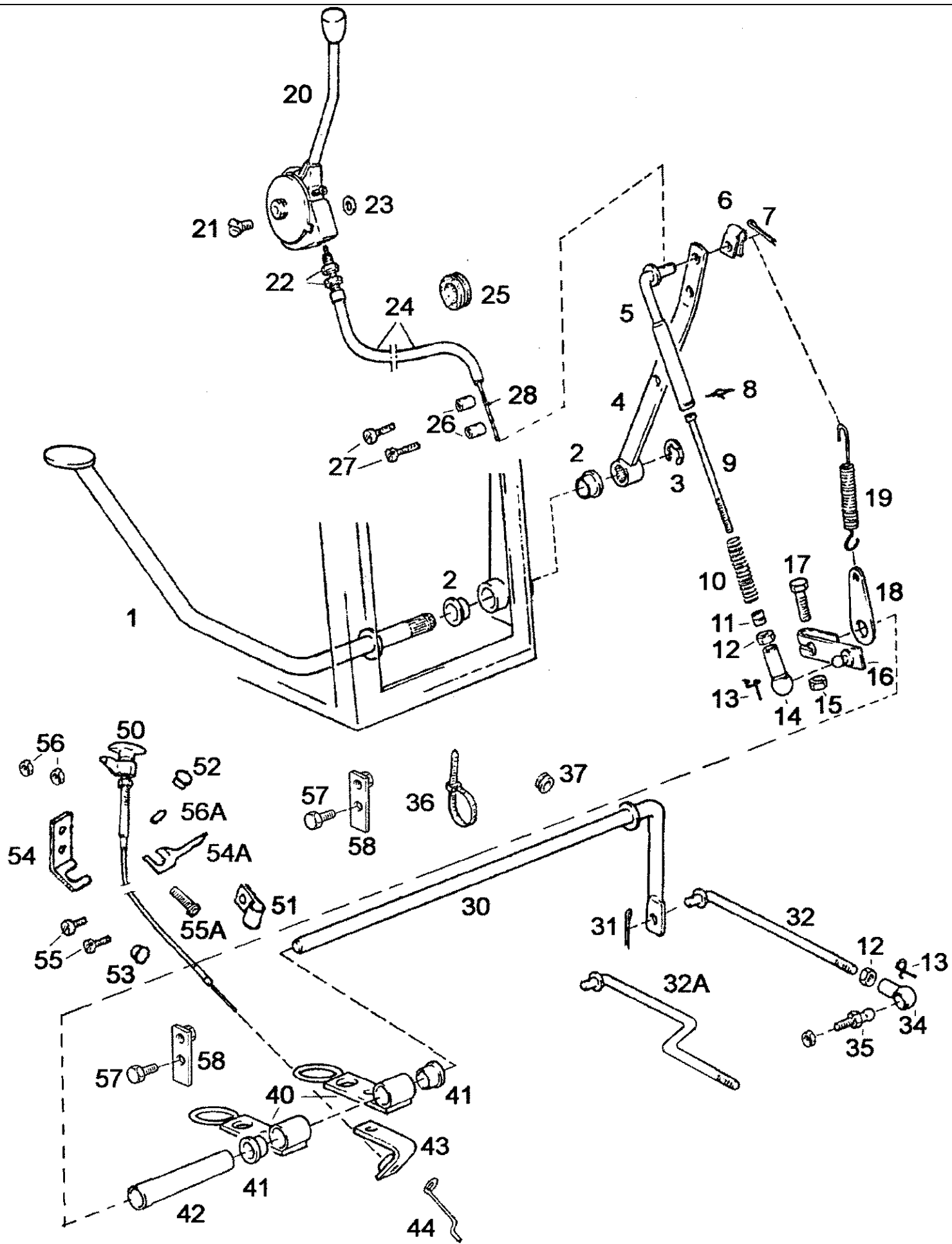
Ref	Onderdeelnummer	Kwt	Beschrijving
1	130100080784	1	HEAD,
2	161500080043	1	BRANDSTOFFILTER,
3	130100080786	1	STEUNBEUGEL,
4	190003802443	2	SCHROEF, , M8x20-10.9
5	130100010705	2	RING,
6	130100080701	4	VIJZELSCHROEF,
7	190003098015	8	DICHTINGSRING, , A14x20-CU
8	130100080773	2	LEIDING,
9	130100080777	2	CLAMP,
10	130100080774	1	LEIDING,
11	43138	2	BOUT, Hex, M10 x 20, 8.8, Full Thd,
12	190003930271	2	SCHIJF, , A10,5-140HV-A3C



## 03-05(01) FUEL TANK AND LINES

Ref	Onderdeelnummer	Kwt	Beschrijving
1	1-33-155-061	1	CONTAINER, , Einschließlich/Includes/Avec/Inklusive/Compreso 2 -8
2	133700550707	2	FITTING,
3	133700550706	2	O-RING,
4	133700550705	1	FLEXIBELE BUIS,
5	133700550714	1	NECK FILLER,
6	133700550713	1	O-RING, , 24x35
7	133700550708	1	PLUG,
8	133700550709	1	O-RING,
10	1-33-155-071	1	CONTAINER,
11	1292730053	1	DICHTING, RUBBER,
12	1680340065	1	O-RING,
13	1-33-155-079	1	GAUGE, FUEL,
14	1192550151	1	SPOEL, , Einschließlich/Includes/Avec/Inklusive/Compreso 15
15	1188550702	1	DICHTING, RUBBER,
16	1-33-155-026	4	KLEM, , 12/15
17	1-33-155-023	1	ETIKET,
18	137700550089	2	FLEXIBELE BUIS,
19	199014230017	2	FITTING, , iD=14mm, d=10mm
20	1395350070	2	RING, PACKING,
21	190003098014	2	DICHTINGSRING, , A14x18-CU-DIN7603
22	1395350028	2	VIJZELSCHROEF,
23	190003171697	3	BEVESTIGINGSKLEM, , A5x180 / K02
30	1-33-155-045	1	RAAM,
31	133700550197	1	KNOP,
32	1-33-155-033	1	RUBBEREN LAGERKUSSEN,
33	1-33-176-028	1	SUPPORT,
34	133700550164	2	RUBBEREN LAGERKUSSEN,
35	43127	4	BOUT, Hex, M8 x 25, 8.8,
36	190003930261	4	SLUITRING, , A8,4
37	190003800661	4	SCHROEF, , M12x85-8.8-A3C
38	190003930282	4	SCHIJF, , A13
39	43362	4	MOER, M8, CI 10,
40	190003888452	2	MOER, , VM10-8





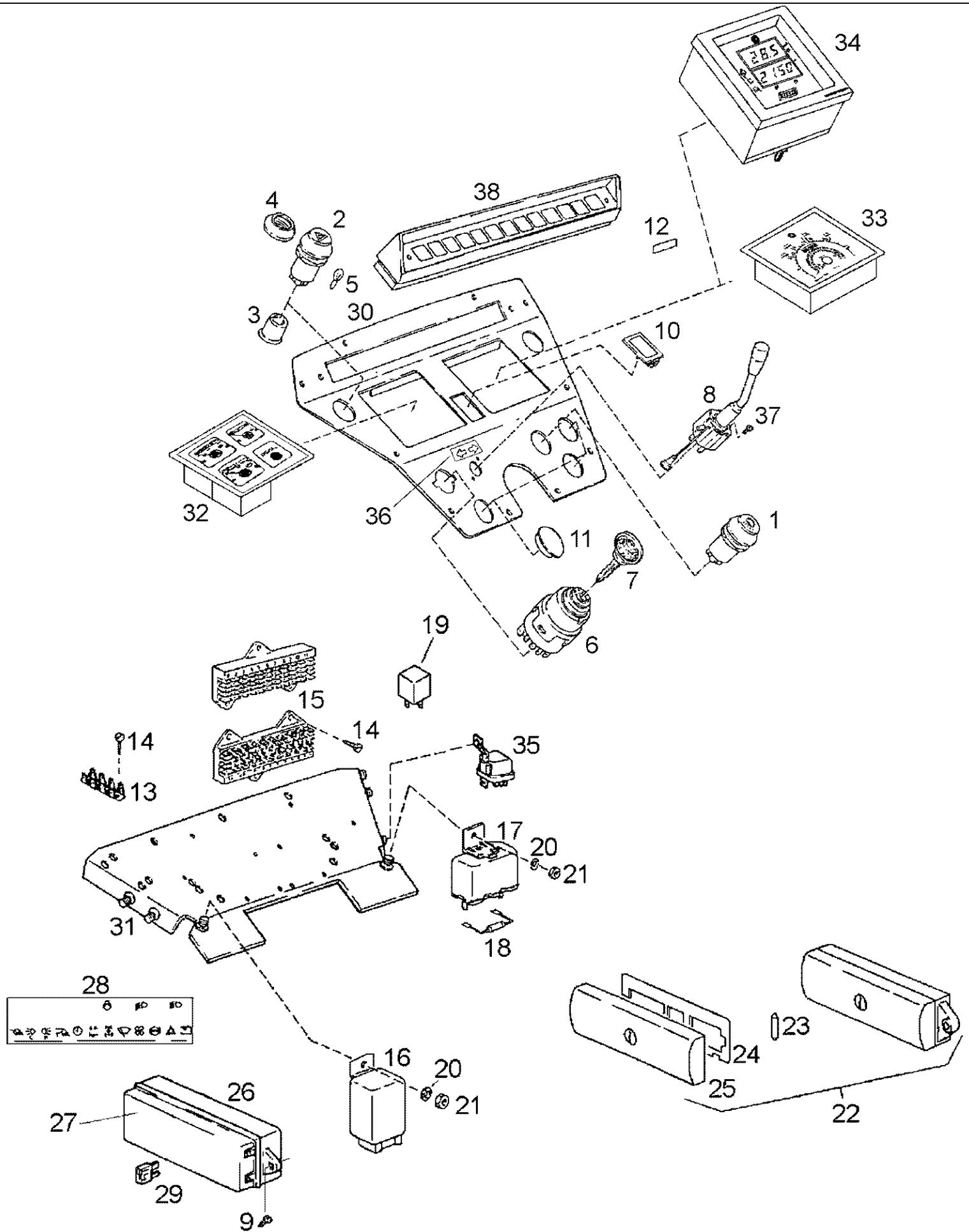
## 03-06(01) FOOT ACCELERATOR

Ref	Onderdeelnummer	Kwt	Beschrijving
1	1-34-543-022	1	GASPEDAAL, , Ersetzt/Replaces/Remplace/Udskiftet/Sostituisce 1-34-543-020
2	1-34-643-110	2	LAGERBUS, , Ø 12,15
3	190003936617	1	SLUITRING, , 9
4	133700570175	1	HEFBOOM,
5	1-34-543-034	1	STANG,
6	1397750128	1	VEER,
7	190003920221	1	SPLITPEN, , 3,2x18
8	1390570022	1	ZEKERING,
9	190003862384	1	SCHROEF, , M6x90-8.8
10	1206240024	1	SPRING, COMPRESSION,
11	1390570021	1	LAGERBUS,
12	15896221	1	MOER, M6, CI 10, , M6-8-A2C, DIN934
13	190003936513	2	SLUITPEN, , S10
14	192570025	1	CUP, BALL,
15	190003888451	1	MOER, , VM8-8
16	1-34-543-042	1	HEFBOOM,
17	43128	1	BOUT, Hex, M8 x 30, 8.8,
18	1288350094	1	VERWISSELBAAR RISTERVOORS,
19	1288570057	1	SPRING, TENSION,
20	1-34-543-054	1	HEFBOOM, , Ersetzt/Replaces/Remplace/Udskiftet/Sostituisce 133700570208
21	190003825321	2	SCHROEF, , M6x16-4.8, Ersetzt/Replaces/Remplace/Udskiftet/Sostituisce 190003825413
22	905852R1	2	MOER, Thin, M8 x 1.25, CI 04, LH, , BM8
23	190003888608	2	MOER, , VM6-8, Ersetzt/Replaces/Remplace/Udskiftet/Sostituisce 190003888451
24	1-34-543-304	1	LOOM, , Einschließlich/Includes/Avec/Inklusive/Compreso 22 - Ersetzt/Replaces/Remplace/Udskiftet/Sostituisce 1-34-543-005
25	1681270269	1	KABELDOORGANG, , Q37
26	190000880092	2	STRAP, CABLE, , -E2,5-ST-ZN
27	190003802104	2	SCHROEF, , M4x8
28	1-34-543-301	1	STAALDRAAD, , Ersetzt/Replaces/Remplace/Udskiftet/Sostituisce 1-34-543-025.
30	1-34-543-038	1	HEFBOOM,
31	190003920121	2	SPLITPEN, , 2x14
32	1-34-543-013	1	SCHROEFSTANG, , ----> 04340
32A	1-34-543-051	1	SCHROEFSTANG, , 04341 ---->
34	190003963616	1	KOGELPEN, , B10
35	190003963313	1	KOGELHOUDER, , C10
36	190003171697	1	BEVESTIGINGSKLEM, , A5x180 / K02
37	190003129036	1	KABELDOORGANG, , 9x2,5
40	1-34-543-028	2	PLAAT, GROOT,
41	1-34-643-042	2	LAGERBUS,
42	190003171189	1	BUISJE, , -16x2 -PA11W-SW-LT
50	1-34-543-211	1	KABEL, , ----> 04340

Ref	Onderdeelnummer	Kwt	Beschrijving
51	1680580023	1	CLAMP, , ----> 04340
52	190003171665	1	PLUG, , A18,4x8
53	190003171877	1	PLUG, , A10,4x5,5
54	1-34-543-048	1	HOEKSTUK, , , ----> 04340 - Mit Heizung/With heating/Avec chauffage/Med varme/Con riscaldamento
54A	1-34-543-049	1	HOEKSTUK, , , ----> 04340 - Ohne Heizung/Without heating/Sans chauffage/Uden varme/Senza riscaldamento
55	190003844616	2	SCHROEF, , Bl. St4,2x16-C-H-A3R ; Mit Heizung/With heating/Avec chauffage/Med varme/Con riscaldamento
55A	16043224	1	BOUT, Hex, M8 x 16, 8.8, Full Thd, Ohne Heizung/Without heating/Sans chauffage/Uden varme/Senza riscaldamento
56	190003699563	2	MOER, , B4,2/11362-A3C, Mit Heizung/With heating/Avec chauffage/Med varme/Con riscaldamento
56A	190003937282	1	SCHIJF, , 8,4, Ohne Heizung/Without heating/Sans chauffage/Uden varme/Senza riscaldamento
57	190003802506	1	SCHROEF, , 04341 ---->
58	1-33-135-078	1	VERBINDING/KOPPELING, , 04341 ---->



04-01(01) INSTRUMENT PANEL

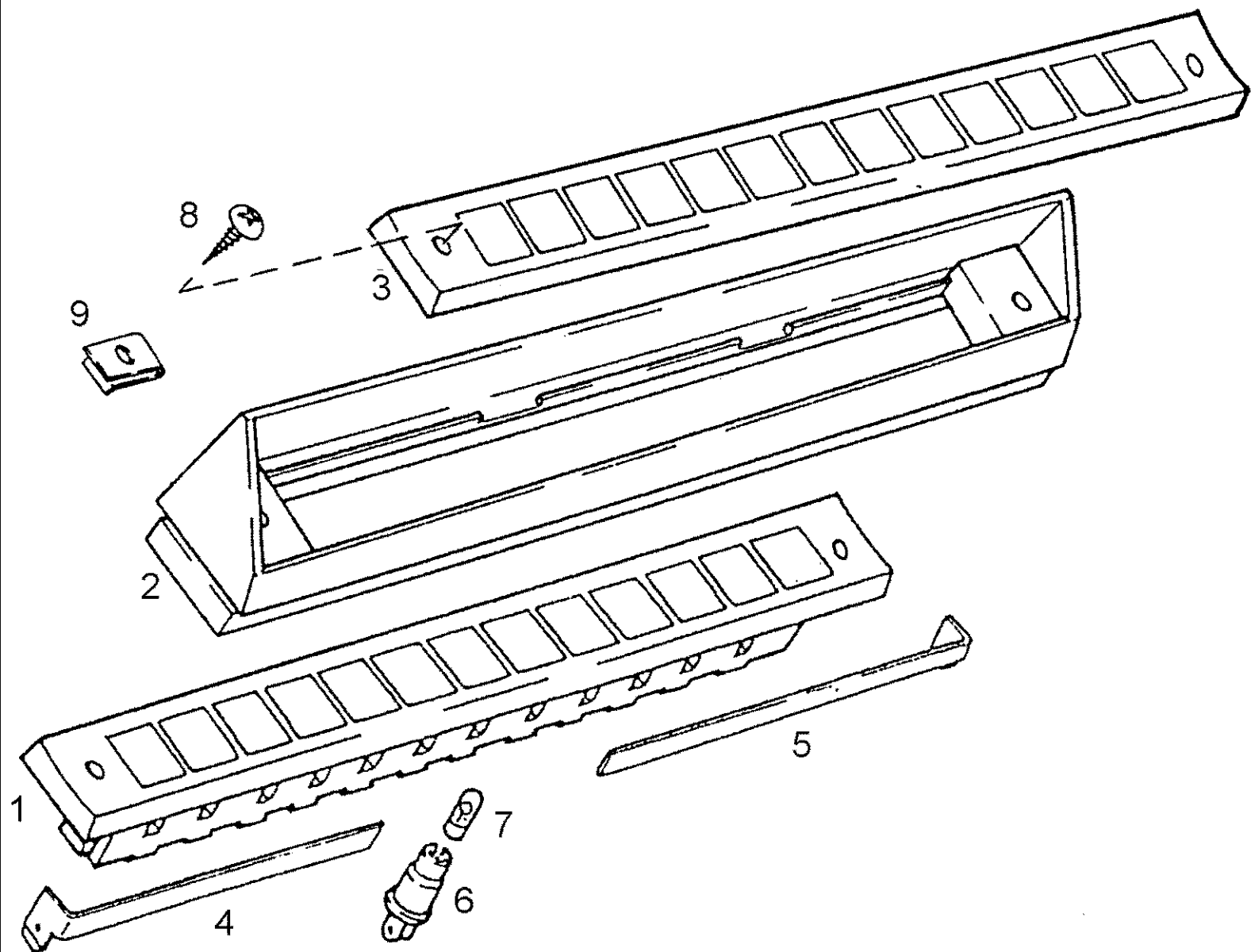


## 04-01(01) INSTRUMENT PANEL

Ref	Onderdeelnummer	Kwt	Beschrijving
1	133700580004	1	SCHAKELAAR, , Licht / Light / Eclairage/Lys/Luci
2	133700580002	1	SCHAKELAAR, , Warnblinkanlage / Anti-collision light system / Systeme de signal de detresse/Havariblinkanlæg/Lampeggio d'emergenza
3	133700580024	2	CONTACTDOOS, , M44
4	133700580701	2	BESCHERMDEKSEL,
5	3141107R1	3	LAMP, W5/1.2, 12V, 1.2W, Ersetzt/Replaces/Remplace/Udskiftet/Sostituisce 190003452250
6	135700580118	1	ZITTINGKUSSEN,
7	135700580706	1	SLEUTEL,
8	1-41-158-025	1	SCHAKELAAR,RICHTINGSAANW, , 06.1993 ----> Länge/Length/Longuer/Længde/Lunghezza 160mm
9	190003860036	2	SCHROEF, , M4x10
10	139900580021	1	DEKSEL,
11	190003170065	4	AFSCHERMKAP, , 29,5x40
12	199112580205	1	DECAL,
13	139900580030	4	VERDELER, , V20
14	190003840018	10	SCHROEF, , ST2,9X 6,5-C-H-A3C
15	179100770391	2	BLOCK ASSY.,
16	1964535C2	1	UNIT, FLASHER, , Ersetzt/Replaces/Remplace/Udskiftet/Sostituisce 135700580021
17	159000710002	1	RELAIS,
18	1-40-177-010	1	DIODE, , 3A
19	1-40-158-048	1	RELAIS, , Ersetzt/Replaces/Remplace/Udskiftet/Sostituisce 139900580048
20	190003935462	5	SLUITRING, , A5,1-A3C
21	825-1405	5	MOER, M5, CI 8, Ersetzt/Replaces/Remplace/Udskiftet/Sostituisce 190003871222
22	133700580147	1	BOX, FUSE, , ---->30.10.1992 Einschließlich/Includes/Avec/Inklusive/Compreso 24, 25
23	281254360025	1	ZEKERING, , 5 Amp. Ersetzt/Replaces/Remplace/Udskiftet/Sostituisce 190003499774
23	190003491258	3	ZEKERING, , 8 Amp
23	190003499775	4	ZEKERING, , 16 Amp
23	190003491264	2	ZEKERING, , 25 Amp
24	133700580215	1	DICHTINGSSTUK, , ----> 30.10. 1992
25	133700580728	1	COVER, , ----> 30.10. 1992
26	1-40-158-015	1	BOX, FUSE, , 01.11.1992 ----> Ersetzt 1-40-158-005 einschließlic 27 / Replaces 1-40-158-005 includes 27 / Remplace 1-40-158-005 avec 27 / Udskiftet 1-40-158-005 inklusive 27 / Sostituisce 1-40-158-005 compreso 27
27	1-40-158-105	1	COVER, , 5070 ---->
28	1-40-158-016	1	DECAL,
29	1-40-258-107	X	ZEKERING, , 7,5A
29	1-40-258-115	X	ZEKERING, , 15A
29	1-40-258-125	X	ZEKERING, , 25A
30	1-41-158-015	1	INSTRUMENTENBORD, , Ersetzt/Replaces/Remplace/Udskiftet/Sostituisce 133700580154 + 1-41-158-005
31	1-41-158-004	1	SATELIETDRAGER,
32	1-41-158-301	1	CLUSTER, INSTRUMENT, , 83L P1 Ersetzt/Replaces/Remplace/Udskiftet/Sostituisce 1-41-158-101

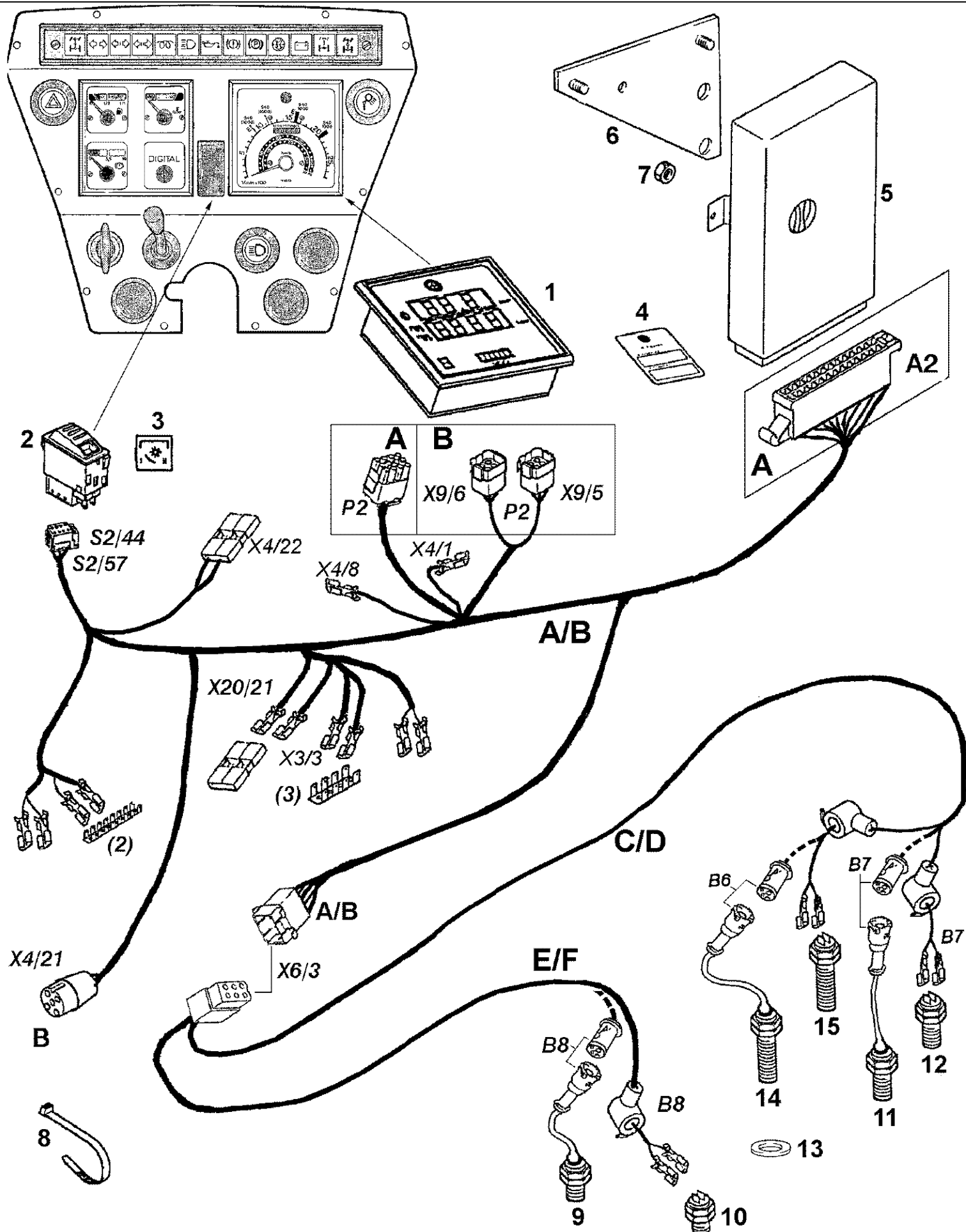
## 04-01(01) INSTRUMENT PANEL

Ref	Onderdeelnummer	Kwt	Beschrijving
32	1-41-158-302	1	CLUSTER, INSTRUMENT, , 83L P1 Mit Druckluftbremse ersetzt / With air brake replaces / Avec servo-frein pneumatique remplace / Med Trykluftbremse udskiftet / Con freni ad aria compressa 1-41-158-102
33	1-41-158-303	1	TRACTOMETER, , P3 Analog ersetzt / Analogous replaces / Analogue remplace / Analog udskiftet / Analogico sostituisce 1-41-158-103
34	1-40-158-070	1	TOERENTELLER, , P2 Digital siehe nächste Seite(n)/Digital see next page(s)/Digital voir page(s) suivante(s)/Digital se næste side(r)/Digitalr vedere pagin(a/e) seguent(e/i)
35	82030798	1	RELAIS, , 70A ; Ersetzt/Replaces/Remplace/Udskiftet/Sostituisce 1-40-158-001, 1-40-158-101
36	1-34-577-326	1	DECAL,
37	190003822108	2	SCHROEF, , M4x6-4,8
38		1	, Siehe nächste Seite(n)/See next page(s)/Voir page(s) suivante(s)/Se næste side(r)/Vedere pagin(a/e) seguent(e/i)

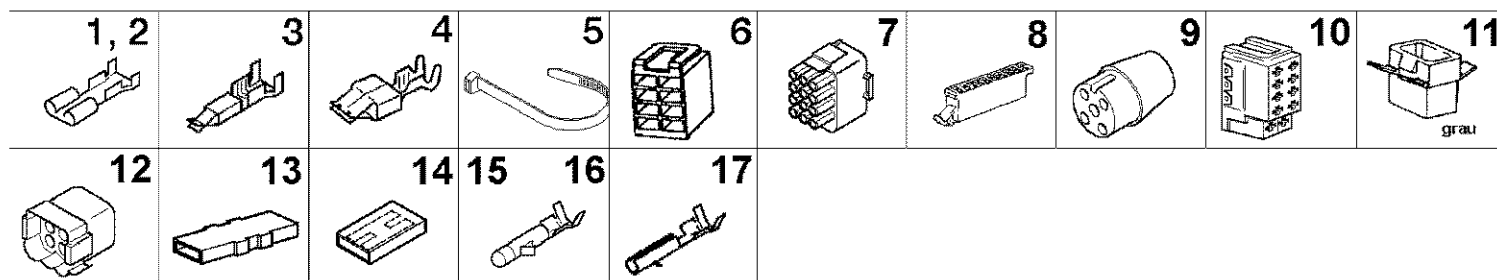
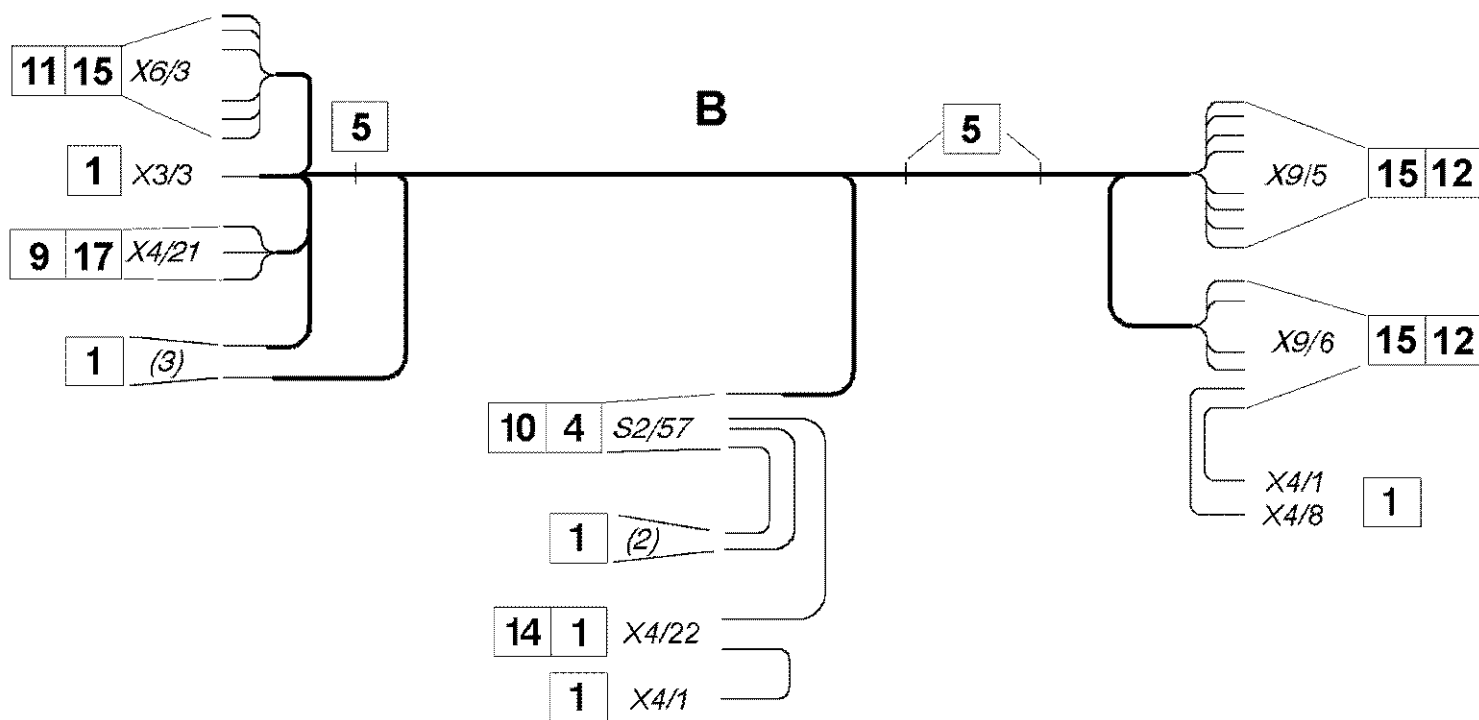
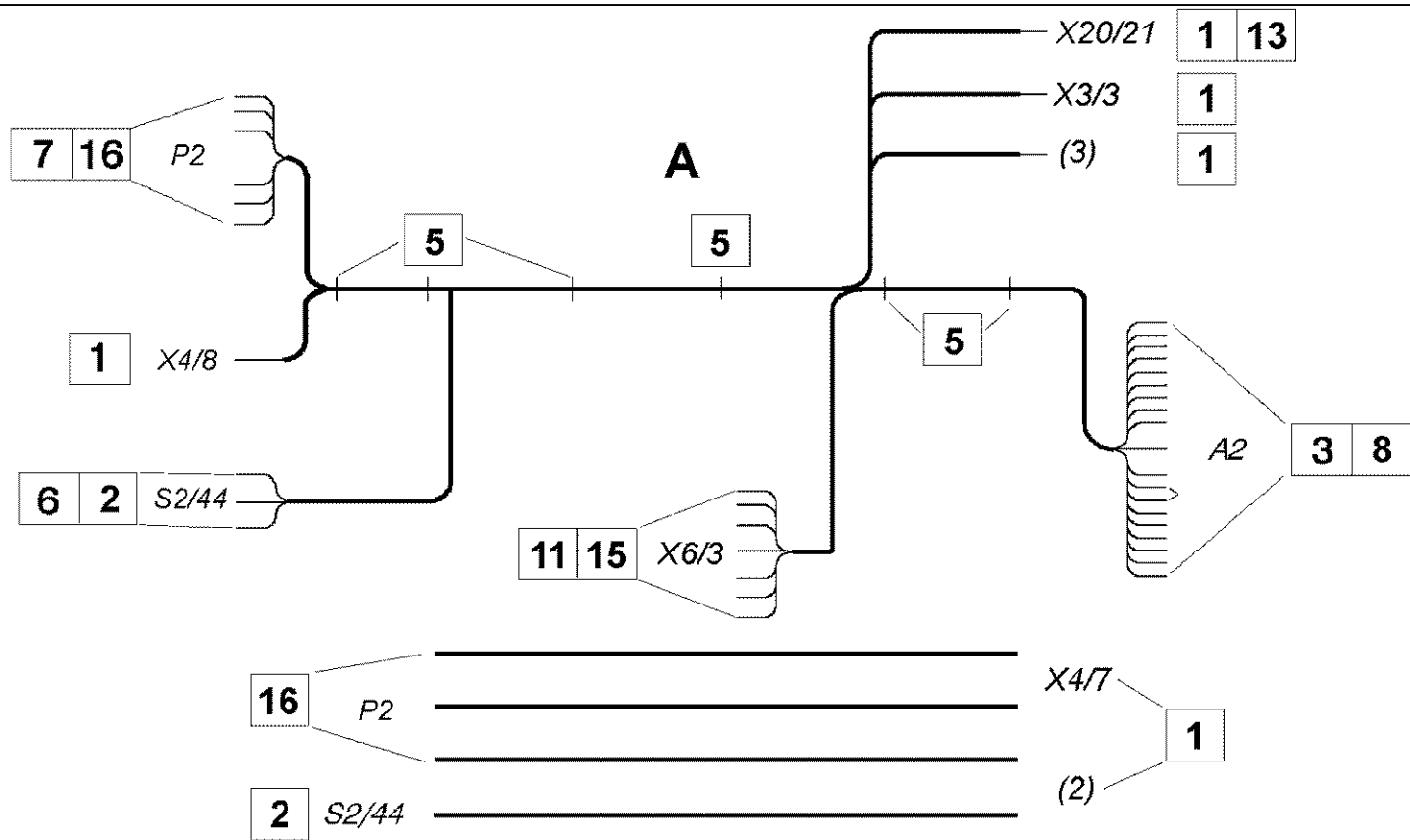




Ref	Onderdeelnummer	Kwt	Beschrijving
1	133700580301	1	SLAT,
2	133700580126	1	COVER, PROTECTIVE,
3	133700580128	1	AFSCHERMING,
4	133700580042	1	RAIL,
5	133700580043	1	RAIL,
6	179100580078	12	AANSLUITING,
7	711625R1	12	LAMP, H, 12V, 2W, , H-12V/2W, Ersetzt/Replaces/Remplace/Udskiftet/Sostituisce 190003452207
8	190003844618	2	SCHROEF, , ST4,2x32-C-H-A3R
9	190003699563	2	MOER, , B4,2/11362-A3C



Ref	Onderdeelnummer	Kwt	Beschrijving
A	1-41-177-051	1	HARNESS, , ---->.... Siehe nächste Seite(n)/See next page(s)/Voir page(s) suivante(s)/Se næste side(r)/Vedere pagin(a/e) sequent(e/i)
B	1-41-177-056	1	HARNESS, , .... ----> Siehe nächste Seite(n)/See next page(s)/Voir page(s) suivante(s)/Se næste side(r)/Vedere pagin(a/e) sequent(e/i)
C	1-41-177-092	1	HARNESS, , ---->04032 Siehe nächste Seite(n)/See next page(s)/Voir page(s) suivante(s)/Se næste side(r)/Vedere pagin(a/e) sequent(e/i)
D	1-41-177-296	1	KABEL, , 04033 ----> Siehe nächste Seite(n)/See next page(s)/Voir page(s) suivante(s)/Se næste side(r)/Vedere pagin(a/e) sequent(e/i)
E	1-41-177-094	1	KABEL, , ----> 04032 Siehe nächste Seite(n)/See next page(s)/Voir page(s) suivante(s)/Se næste side(r)/Vedere pagin(a/e) sequent(e/i)
F	1-41-177-297	1	KABEL, , 04033 ----> Siehe nächste Seite(n)/See next page(s)/Voir page(s) suivante(s)/Se næste side(r)/Vedere pagin(a/e) sequent(e/i)
1	1-40-158-070	1	TOERENTELLER, , P2 Digital ersetzt/ Digital replaces/Digital remplace/Digital udskiftet/ Digizale sostituisce 135700580143 +1-41-158-305
2	1-40-158-611	1	SCHAKELAAR, , ----> 05.1996 ; Ersetzt/Replaces/Remplace/Udskiftet/Sostituisce 139900580173
2	1-40-158-605	1	SCHAKELAAR, , ( 0- <1 ) ; 06.1996 ----> ; Ersetzt/Replaces/Remplace/Udskiftet/Sostituisce 139900580127
3	139900580174	1	SYMBOLLEN,
4	135700580145	1	DECAL,
5	135700580035	1	ELECTRONISCHE KAST,
6	135700580168	1	PLAAT,
7	190003888450	2	MOER, , VM5-8-A2C
8	190003171697	10	BEVESTIGINGSKLEM, , A5x180 / K02
9	135700710024	1	SENSOR, , ---->04032 L =35mm, Frontzapfwelle/Front P.T.O./Prise de force avant/Frontmonteret kraftudtag/Presa di forza frontale
10	1-40-271-040	1	SENSOR, , 04033 ----> L=35mm, Frontzapfwelle/Front P.T.O./Prise de force avant/Frontmonteret kraftudtag/Presa di forza frontale
11	135700710025	1	SENSOR, , ---->04032 L=25mm, Heckzapfwelle/Rear P.T.O./Prise de force arrière/Kraftudtag bagest/Presa di forza posteriore
12	155700710025	1	SENSOR, , 04033 ----> L=25mm, Heckzapfwelle ersetzt/Rear P.T.O. replaces/Prise de force arrière remplace/Kraftudtag bagest udskiftet/Presa di forza posteriore sostituisce 1-40-171-105
13	1586270015	1	SLUITRING, , Wahlweise/Optional/En option/Efter valg/A scelta, s=0,5
13	1397210093	1	SLUITRING, , Wahlweise/Optional/En option/Efter valg/A scelta, s=0,9
13	1397210089	1	SLUITRING, , Wahlweise/Optional/En option/Efter valg/A scelta, s=1,1
13	1397210090	1	SLUITRING, , Wahlweise/Optional/En option/Efter valg/A scelta, s=1,3
13	1397210091	1	SLUITRING, , Wahlweise/Optional/En option/Efter valg/A scelta, s=1,5
14	135700710026	1	SENSOR, , ----> 04032 L=70,7mm, Fahrgeschwindigkeit/Ground Speed/Vitesse de marche/Kørehastighed/Velocità di marcia
15	155700710026	1	SENSOR, , 71mm lg ; 04033 ----> ; Fahrgeschwindigkeit ersetzt / Ground speed replaces / Vitesse de avancement remplace/Kørehastighed udskiftet/Velocità di marcia sostituisce 1-40-171-106



Ref	Onderdeelnummer	Kwt	Beschrijving
A	1-41-177-051	1	HARNESS, , ---->.... Digitalinstrument / Digital instrument / Instrument numérique / Digitalinstrument / Strumento digitale
B	1-41-177-056	1	HARNESS, , .... ----> Digitalinstrument / Digital instrument / Instrument numérique / Digitalinstrument / Strumento digitale
1	190003499650	18	KABELSCHOEN, , G01
2	1880770005	04	KABELSCHOEN, , G03
3	169200770086	018	KABELSCHOEN, , G21
4	1-40-277-036	4	VERBINDING, , G41
5	190003171697	10	BEVESTIGINGSKLEM, , A5x180 / K02
6	139900580022	1	CONTACTDOOS, , M22 ; 8-Polig / 8-pole / À 8 pôle / 8-polet / 8 polo
7	169200770010	1	AANSLUITING, , M26 ; 12-Polig / 12-pole / À 12 pôle / 12-polet / 12 polo
8	135700770061	1	CONTACTDOOS, , M51 ; 25-Polig / 25-pole / À 25 pôle / 25-polet / 25 polo
9	1-40-277-003	1	AANSLUITING, , M8E ; 4-Polig / 4-pole / À 4 pôle / 4-polet / 4 polo
10	1-40-277-039	1	CONTACTDOOS, , M8Q ; 10-Polig / 10-pole / À 10 pôle / 10-polet / 10 polo
11	179100770107	2	CONTACTDOOS, , N10
12	1-40-277-017	2	AANSLUITING, , N4C ; 9-Polig / 9-pole / À 9 pôle / 9-polet / 9 polo
13	199000770015	1	MEERV. POOLVERBINDINGSTU, , V02
14	179100770023	1	VERDELER, , V04 ; 4-Polig / 4-pole / À 4 pôle / 4-polet / 4 polo
15	1397770023	28	PEN, KLEIN, , X03
16	169200770006	9	VERBINDING, , X06
17	1-40-277-035	3	KABELSCHOEN, , X33

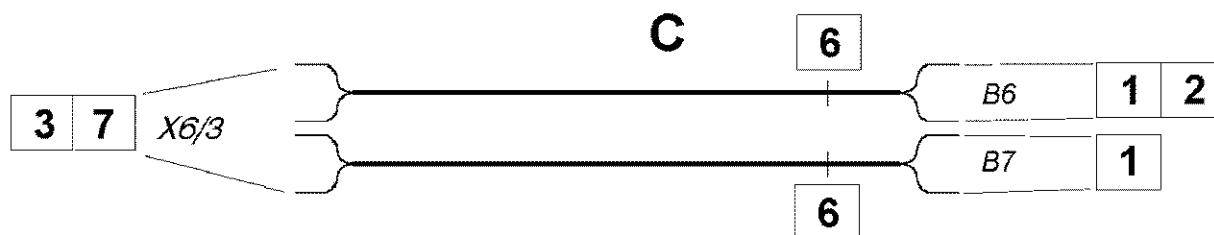
**A**



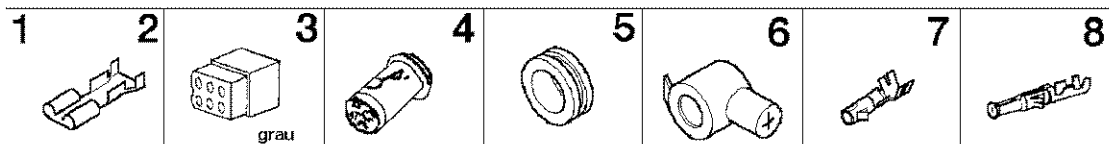
**B**



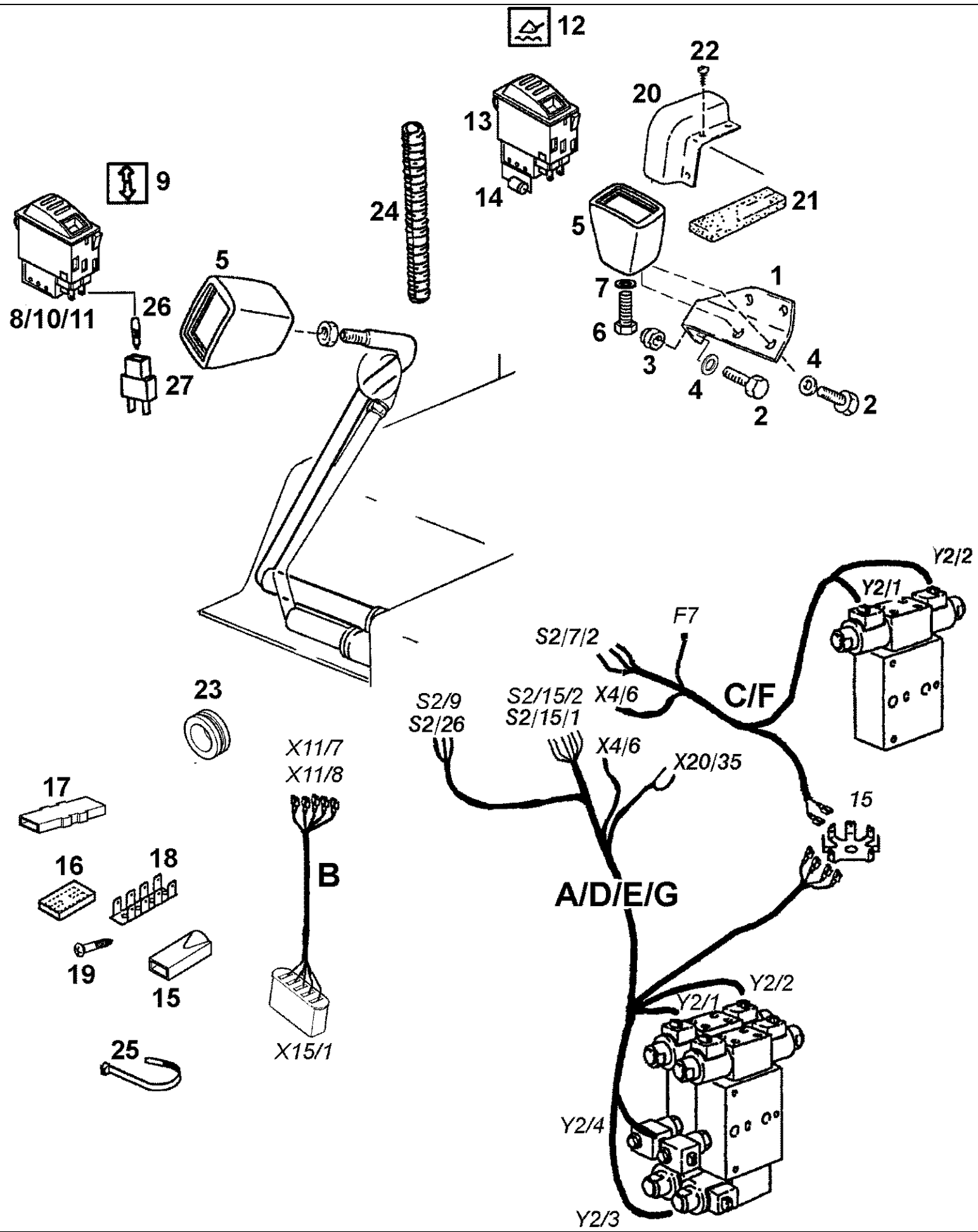
**C**



**D**



Ref	Onderdeelnummer	Kwt	Beschrijving
A	1-41-177-092	1	HARNESS, , Fahrgeschwindigkeit + Zapfwelle / Ground speed + PTO / Vitesse de avancement + PDF / Kørehastighed + Kraftudtag / Velocità di marcia+ Presa di forza
B	1-41-177-094	1	KABEL, , Frontzapfwelle/Front P.T.O./Prise de force avant/Frontmonteret kraftudtag/Presa di forza frontale
C	1-41-177-296	1	KABEL, , Fahrgeschwindigkeit + Zapfwelle / Ground speed + PTO / Vitesse de avancement + PDF / Kørehastighed + Kraftudtag / Velocità di marcia+ Presa di forza
D	1-41-177-297	1	KABEL, , Frontzapfwelle/Front P.T.O./Prise de force avant/Frontmonteret kraftudtag/Presa di forza frontale
1	190003499650	5	KABELSCHOEN, , G01
2	199000770238	1	AANSLUITKLEM, , G09
3	179100770105	2	CONTACTDOOS, , M18 ; 6-Polig / 6-pole / À 6 pôle / 6-polet / 6 polo
4	169200770008	2	CONTACTDOOS, , M25 ; 2-Polig / 2-pole / À 2 pôle / 2-polet / 2 polo
5	190003120098	1	KABELDOORGANG, , Q46 - 8x1/20
6	1-40-277-040	3	SENSOR, , W41
7	1397770024	12	LAGERBUS, , X04
8	169200770009	6	LAGERBUS, , X08





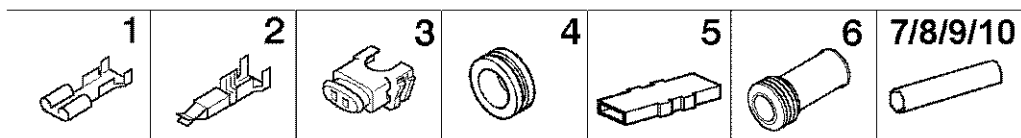
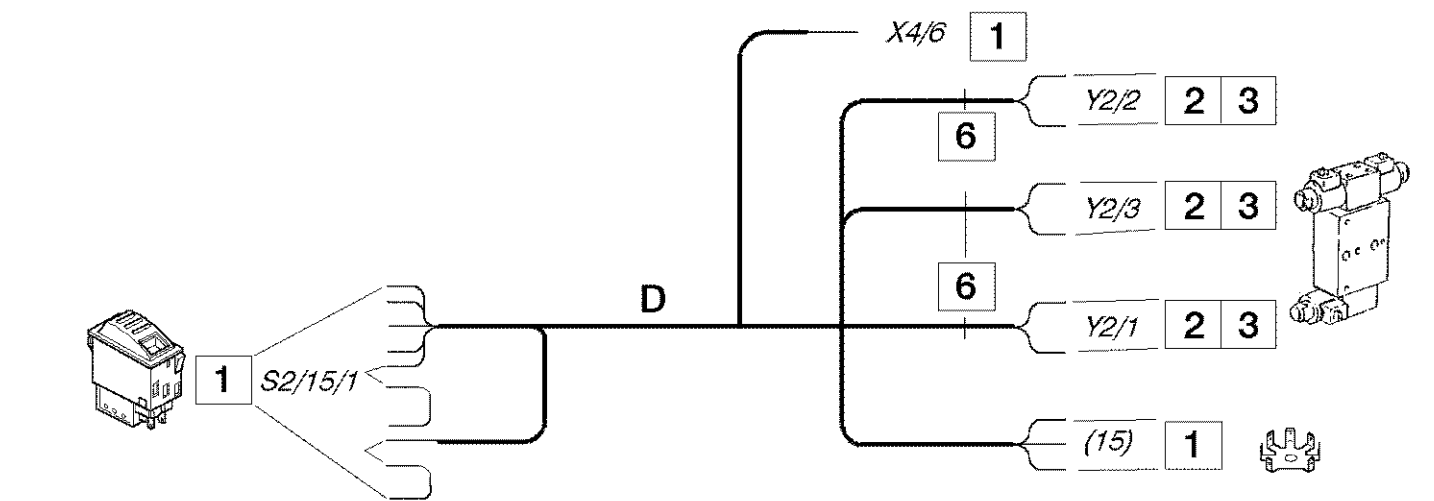
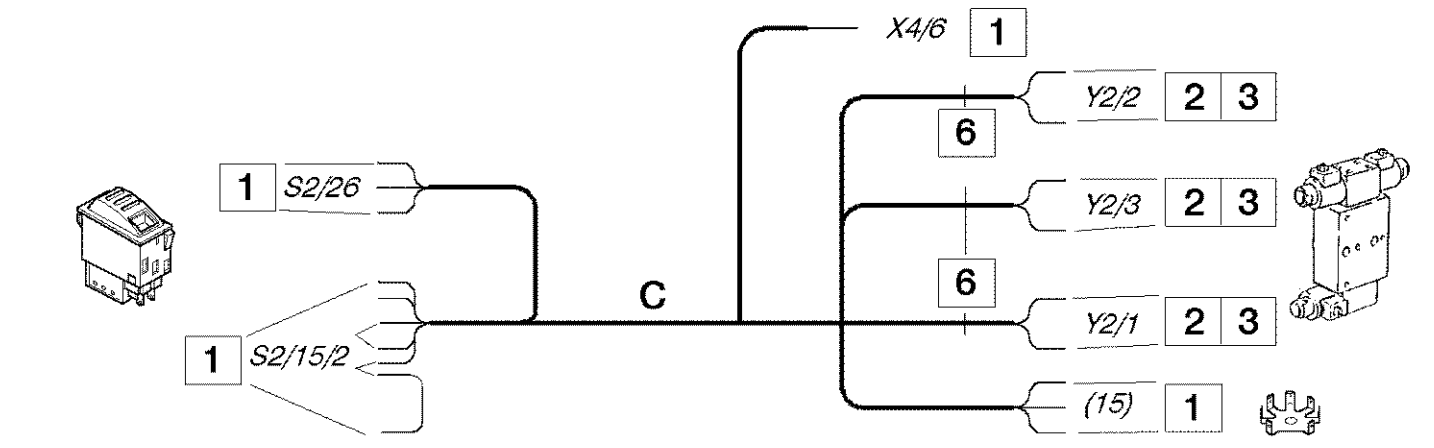
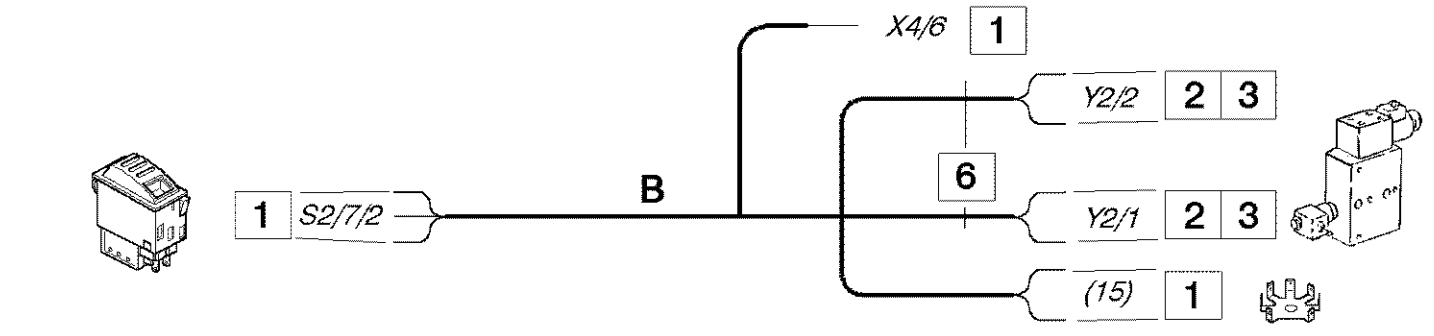
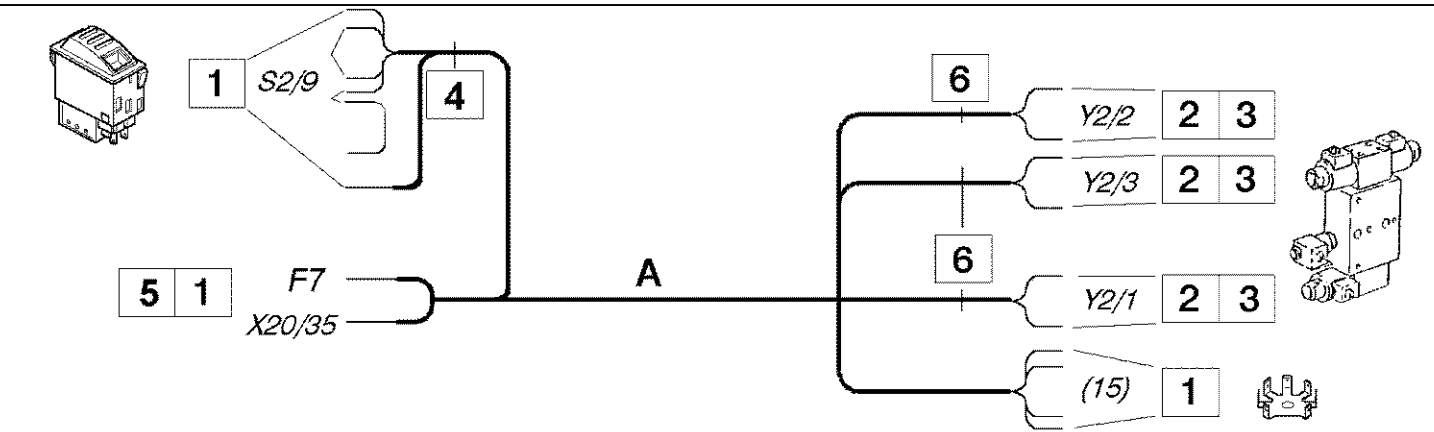
Ref	Onderdeelnummer	Kwt	Beschrijving
A	1-41-177-090	1	HARNESS, , Siehe nächste Seite(n)/See next page(s)/Voir page(s) suivante(s)/Se næste side(r)/Vedere pagin(a/e) seguent(e/i)
B	1-41-177-093	1	KABEL, , Siehe nächste Seite(n)/See next page(s)/Voir page(s) suivante(s)/Se næste side(r)/Vedere pagin(a/e) seguent(e/i)
C	1-41-177-191	1	HARNESS, , Siehe nächste Seite(n)/See next page(s)/Voir page(s) suivante(s)/Se næste side(r)/Vedere pagin(a/e) seguent(e/i)
D	1-41-177-192	1	HARNESS, , Siehe nächste Seite(n)/See next page(s)/Voir page(s) suivante(s)/Se næste side(r)/Vedere pagin(a/e) seguent(e/i)
E	1-41-177-193	1	HARNESS, , Siehe nächste Seite(n)/See next page(s)/Voir page(s) suivante(s)/Se næste side(r)/Vedere pagin(a/e) seguent(e/i)
F	1-41-177-291	1	HARNESS, , Siehe nächste Seite(n)/See next page(s)/Voir page(s) suivante(s)/Se næste side(r)/Vedere pagin(a/e) seguent(e/i)
G	1-41-177-292	1	HARNESS, , Siehe nächste Seite(n)/See next page(s)/Voir page(s) suivante(s)/Se næste side(r)/Vedere pagin(a/e) seguent(e/i)
1	133700710032	1	GUIDE, LEVERS,
2	16043224	1	BOUT, Hex, M8 x 16, 8.8, Full Thd,
3	190003888451	1	MOER, , VM8-8-A2C
4	896-11008	1/2	SLUITRING, M8 x 17.5 x 2, HT, , 9x17x2mm, Ersetzt/Replaces/Remplace/Udskiftet/Sostituisce 190003930261
5	133700710009	1	HUIS,
6	190003802401	1	SCHROEF, , M8x10-8,8-A2C
7	190003935469	1	SLUITRING, , A8,2-A3C
8	1-40-158-606	1	SCHAKELAAR, , ( 1>0-2 ) ; Ersetzt/Replaces/Remplace/Udskiftet/Sostituisce 139900580069
9	139900580079	1	EMBLEM, , Grün / Green / Vert / Grøn / Verde
10	1-40-158-607	1	SCHAKELAAR, , ( 1>0<2 ) ; Ersetzt/Replaces/Remplace/Udskiftet/Sostituisce 139900580068
11	1-40-158-609	1	SCHAKELAAR, , ( 0-1 ) ; Ersetzt/Replaces/Remplace/Udskiftet/Sostituisce 139900580067
12	139900580111	1	SYMBOLLEN,
13	1-40-158-615	1	SCHAKELAAR, , ( 1>0<2 ) Ersetzt/Replaces/Remplace/Udskiftet/Sostituisce 1-40-158-004
14	1125770006	1	DIODE, , 3A, 1000V
15	135700770206	4	ELECTRISCHE ISOLATIE, , J07 ; 1-Polig / 1-pole / À 1 pôle / 1-polet / 1 polo
16	179100770023	1	VERDELER, , V04 ; 4-Polig / 4-pole / À 4 pôle / 4-polet / 4 polo
17	199000770015	1	MEERV. POOLVERBINDINGSTU, , V02 ; 2-Polig / 2-pole / À 2 pôle / 2-polet / 2 polo
18	139900580030	1	VERDELER, , V20
19	190003843106	2	SCHROEF, , St4,2x9,5-C-H-A3C
20	1-41-177-196	1	COVER, PROTECTIVE,
21	1-41-177-197	1	ISOLATIE,ALGEMEEN,
22	190003844810	3	SCHROEF, , St3,5x16-N-H-A3C
23	190003120098	1	KABELDOORGANG, , 8x1/20
24	1-41-177-198	1	KABELMANTEL,
25	190003171697	10	BEVESTIGINGSKLEM, , A5x180 / K02
26	3141107R1	1	LAMP, W5/1.2, 12V, 1.2W, Ersetzt/Replaces/Remplace/Udskiftet/Sostituisce 190003452250

955 STEYR TRACTOR (2/92-6/97) - Elektrisch Systeem

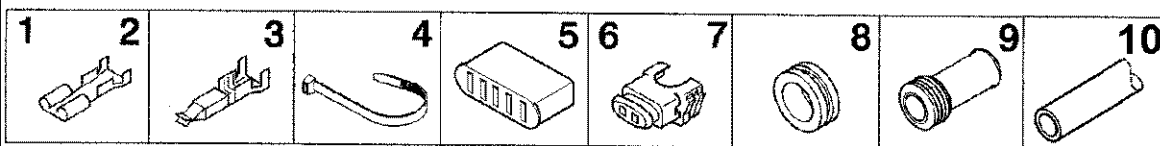
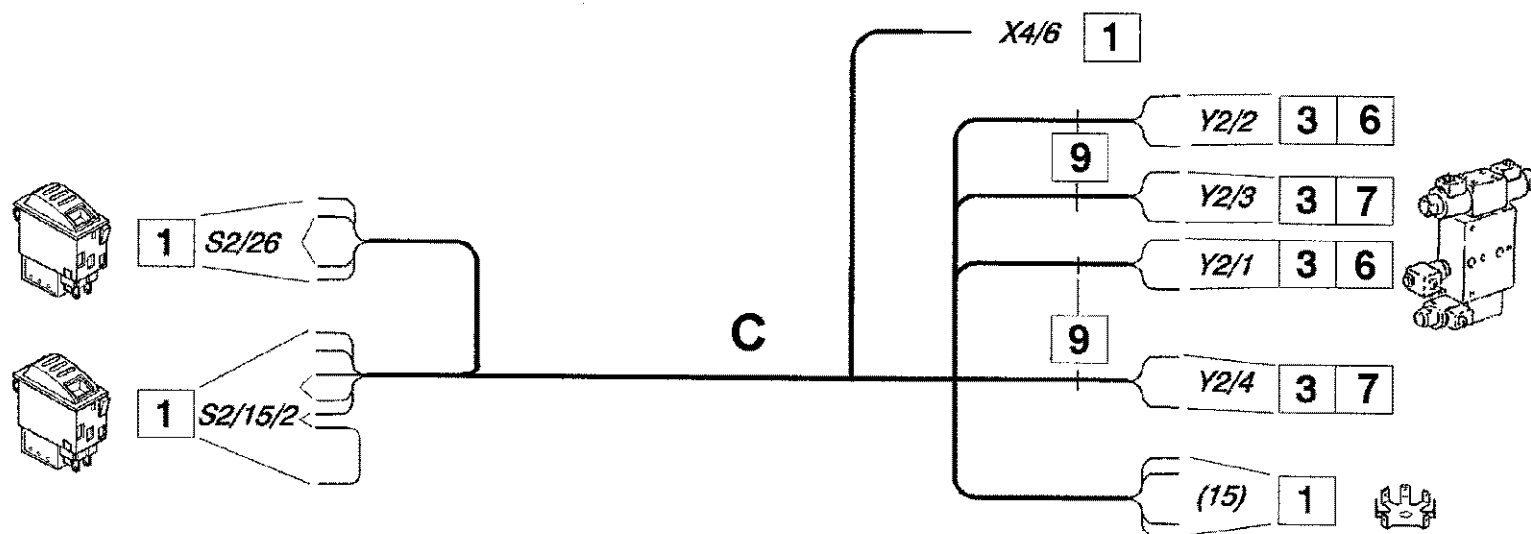
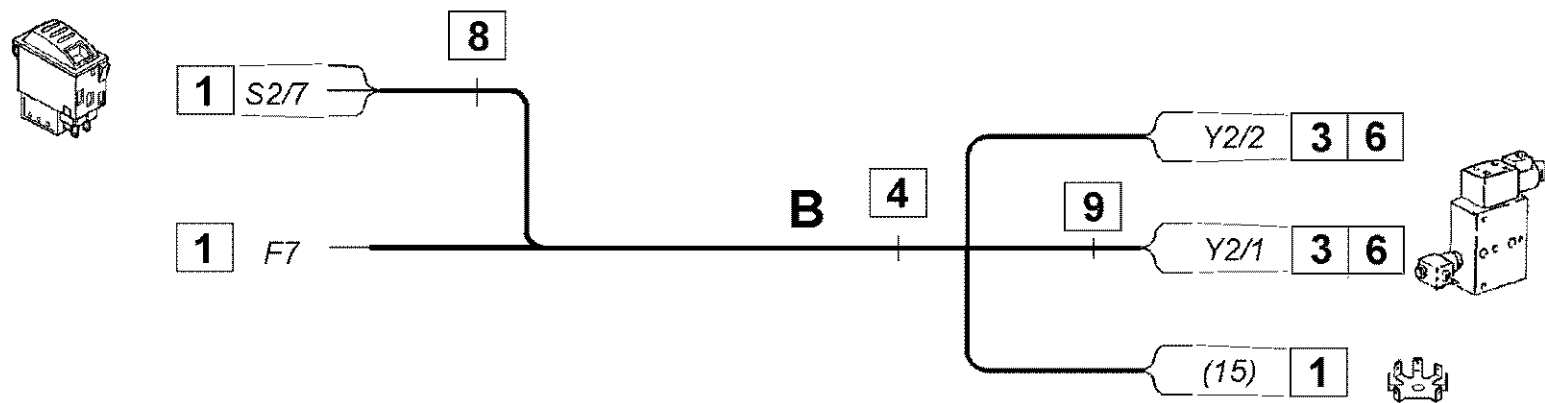
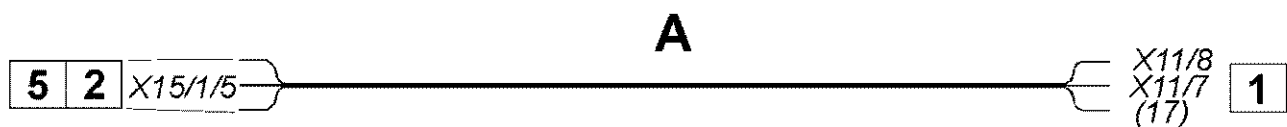
04-06(01) CABLE HARNESS AND CONNECTIONS - CONTROL VALVE

Ref	Onderdeelnummer	Kwt	Beschrijving
-----	-----------------	-----	--------------

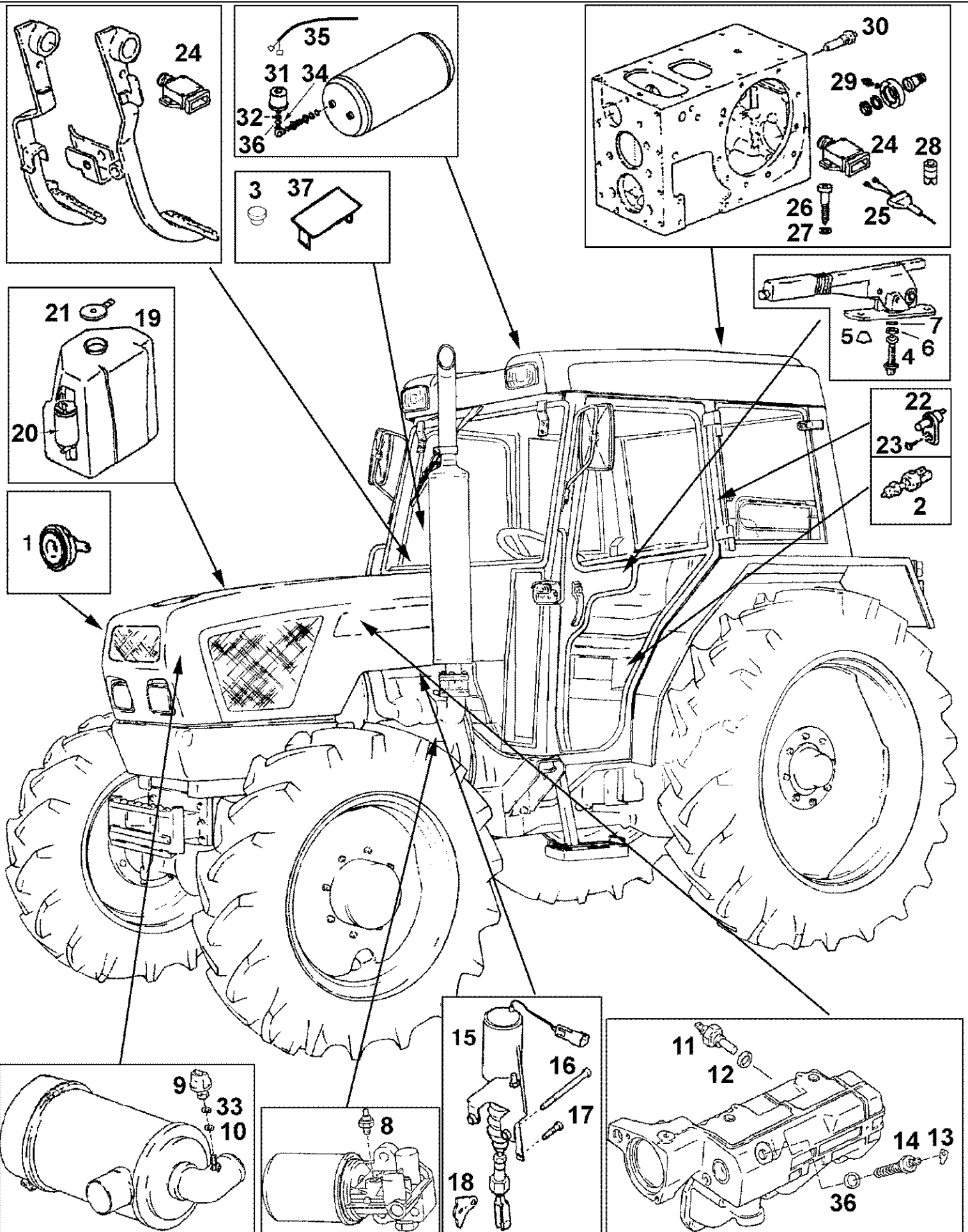
27	169200580087	1	AANSLUITING,
----	--------------	---	--------------



Ref	Onderdeelnummer	Kwt	Beschrijving
A	1-41-177-090	1	HARNESS, , Zusatzsteuergerät doppelwirkend Multi-Hebel / Auxiliary valve double acting multi-lever / Valve auxiliaire double effet levier de multi/ Ekstra styreenhed dobbelt virkende multifunktionshåndtag/Centralina supplementare a doppio effetto leva multifunzi
B	1-41-177-191	1	HARNESS, , Zusatzsteuergerät einfachwirkend Griff / Auxiliary single acting knob / Valve auxiliaire simple effet boule/Ekstra styreenhed enkeltvirkende greb/Centralina supplementare a semplice effetto maniglia
C	1-41-177-192	1	HARNESS, , Zusatzsteuergerät doppelwirkend mit Schwimmstellung Griff / Auxiliary valve double acting with floating position knob / Valve auxiliaire double effet avec pos. flott.boule/Ekstra styreenhed dobbelt virkende med svømmeposition greb/Centralina supplement
D	1-41-177-193	1	HARNESS, , Zusatzsteuergerät doppelwirkend Griff / Auxiliary valve double acting knob / Valve auxiliaire double effet boule/Ekstra styreenhed dobbelt virkende greb/Centralina supplementare a doppio effetto maniglia
1	190003499650	X	KABELSCHOEN, , G01
2	169200770086	24	KABELSCHOEN, , G21
3	135700770014	10	MEERV. POOLVERBINDINGSTU, , M37 ; Schwarz / Black / Noir / Sort / Nero
4	190003120098	1	KABELDOORGANG, , 8x1/20
5	199000770015	1	MEERV. POOLVERBINDINGSTU, , V02 ; 2-Polig / 2-pole / À 2 pôle / 2-polet / 2 polo
6	1-40-171-010	1	AFSCHERMKAP, , W40
7	190003489215	X	FLEXIBELE BUIS, , B5x0,6 - SW
8	190003489218	X	FLEXIBELE BUIS, , B6x0,6 - SW
9	190003489219	X	FLEXIBELE BUIS, , B7x0,7 - SW
10	190003489225	X	FLEXIBELE BUIS, , B8x0,7 - SW



Ref	Onderdeelnummer	Kwt	Beschrijving
A	1-41-177-093	1	KABEL, , Stromversorgung Zusatzsteuergerät / Current supply auxiliary valve / Alimentation en courant valve auxiliaire/Strømforsyning ekstra styreenhed/Alimentazione elettricac centralina supplementare
B	1-41-177-291	1	HARNESS, , Zusatzsteuergeräte einfachwirkendMulti-Hebel / Auxiliary valve single acting multi-lever / Valve auxiliaire simple effet levier de multi/ Ekstra styreenhed enkeltvirkende multifunktionshåndtag/Centralina supplementare a semplice effetto leva multifunz
C	1-41-177-292	1	HARNESS, , Zusatzsteuergerät doppelwirkend mit Sperrblock Griff / Auxiliary valve double acting with valve knob / Valve auxiliaire double effet avec vanne d'arret boule/ Ekstra styreenhed dobbelt virkende Spærreventil greb/Centralina supplementare a doppio effetto
1	190003499650	6	KABELSCHOEN, , G01
2	1880770005	3	KABELSCHOEN, , G03
3	169200770086	12	KABELSCHOEN, , G21
4	190003171697	2	BEVESTIGINGSKLEM, , A5x180 / K02
5	179100770390	1	CONTACTDOOS, , M24 ; 5-Polig / 5-pole / À 5 pôle / 5-polet / 5 polo
6	135700770014	4	MEERV. POOLVERBINDINGSTU, , M37 ; Schwarz / Black / Noir / Sort / Nero
7	135700770015	2	AANSLUITING, , M38 ; Weiss / White / Blanc / Hvid / Bianco
8	190003120098	1	KABELDOORGANG, , Q46
9	1-40-171-010	5	AFSCHERMKAP, , W40
10	190003489215	X	FLEXIBELE BUIS, , B5x0,6 - SW
10	190003489218	X	FLEXIBELE BUIS, , B6x0,6 - SW
10	190003489219	X	FLEXIBELE BUIS, , B7x0,7 - SW
10	190003489225	X	FLEXIBELE BUIS, , B8x0,7 - SW



## 04-09(01) SWITCHES

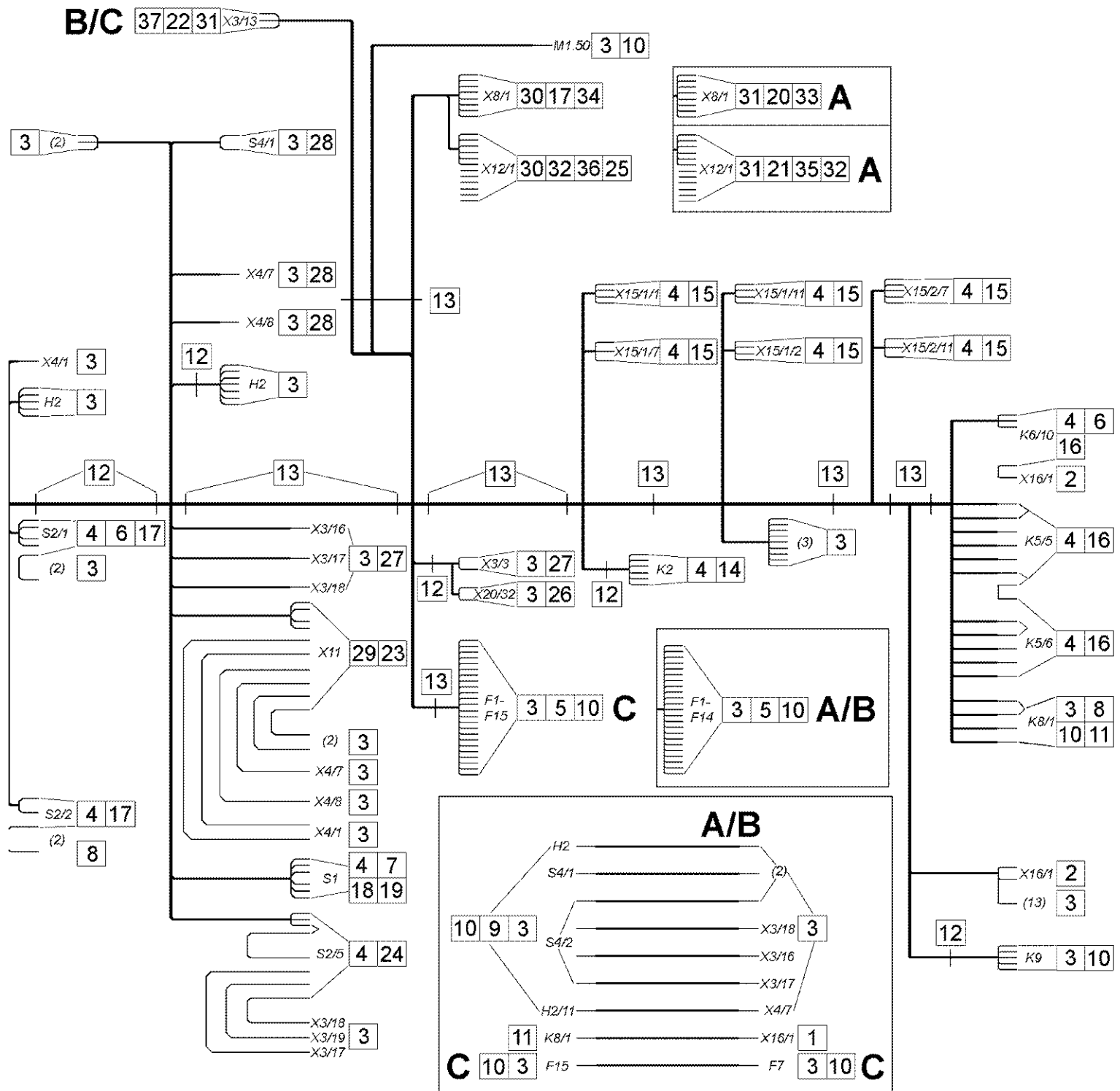
Ref	Onderdeelnummer	Kwt	Beschrijving
1	1-40-171-040	1	HOORN, , Ersetzt/Replaces/Remplace/Udskiftet/Sostituisce 159000710013 + 1-40-171-020
2	1-40-171-051	3	SCHAKELAAR, , Allrad ersetzt / 4 WD replaces / 4 RM remplace / 4 WD udskiftet / 4 WD sostituisce 1-40-171-001
3	190003170426	3	PLUG, , 19,5x30
4	1-34-743-001	1	SCHAKELAAR, , Besteht aus/Consists of/Compose de/Bestående af/È composto da 4 - 7
5	1-34-743-019	1	BOOT,
6	1-34-743-005	2	MOER,
7	1-34-743-016	2	SLUITRING,
8	130100090781	1	CONTACT ELEKTR./HYDR., , Ersetzt/Replaces/Remplace/Udskiftet/Sostituisce 130300090704
9	161200190040	1	SENSOR, , Ersetzt/Replaces/Remplace/Udskiftet/Sostituisce 161200190047
10	190003871517	1	MOER, , M10x1-05-A3C-DIN936
11	161200090006	1	SENDOR, TEMPERATURE, , Ersetzt/Replaces/Remplace/Udskiftet/Sostituisce 130100190701
12	190003098014	1	DICHTINGSRING, , A14x18-CU-DIN7603
13	133700770042	1	VERBINDING, , S09
14	130100090003	1	GLOEIPATROON,
15	1-40-271-023	1	SWITCH, SOLENOID, , Ersetzt/Replaces/Remplace/Udskiftet/Sostituisce 1-40-271-033
16	190003862352	2	SCHROEF, , M6x50-8,8-A2C
17	190003862316	1	SCHROEF, , M6x16-8,8-A2C
18	140100080008	1	HEFBOOM,
19	133700710239	1	CONTAINER,
20	133700710240	1	PUMP,
21	3227043R1	1	PLUG, , Ersetzt/Replaces/Remplace/Udskiftet/Sostituisce 133700710243
22	116000720020	2	DEURSCHAKELAAR,
23	190003843106	2	SCHROEF, , St 4,2x9,5
24	133700710023	3	DRUKSCHAKELAAR, , Bremslicht,Differentialsperre Anlaßsperre / Stop light,differential lock,starter interlock / Feux-stop,blocage de différentiel, verrouillage de démarrage / Stoplys, Differentialespærring / Interruttore luce di arresto,Bloccaggio del differenziale
25	133700710024	1	LAGERBUS,
26	190003843141	2	ZELFTAPPENDE SCHROEF, Cross Pan Hd, M4.2 x 16, , ST4,2x16
27	190003930231	2	SLUITRING, , A4,3
28	199000580305	4	AFSTANDSRING, , 7mm
29			, Siehe Seite(n) vorne/See page(s) before/Voir page(s) avant(es)/Se side(r) forrest/Vedere pagin(a/e) precedent(e/i)
30			, Siehe Seite(n) vorne/See page(s) before/Voir page(s) avant(es)/Se side(r) forrest/Vedere pagin(a/e) precedent(e/i)
31	169200710001	1	ZENDER, , Druckluftbremse / Air brake / Servo frein pneumatique/Trykluftbremse/Freni ad aria compressa
32	1292770137	1	CONNECTOR, , Ø21mm
33	190003098011	1	DICHTINGSRING, , A10x16-CU
34	190003559547	1	MOER, , M22x1,5-A3C



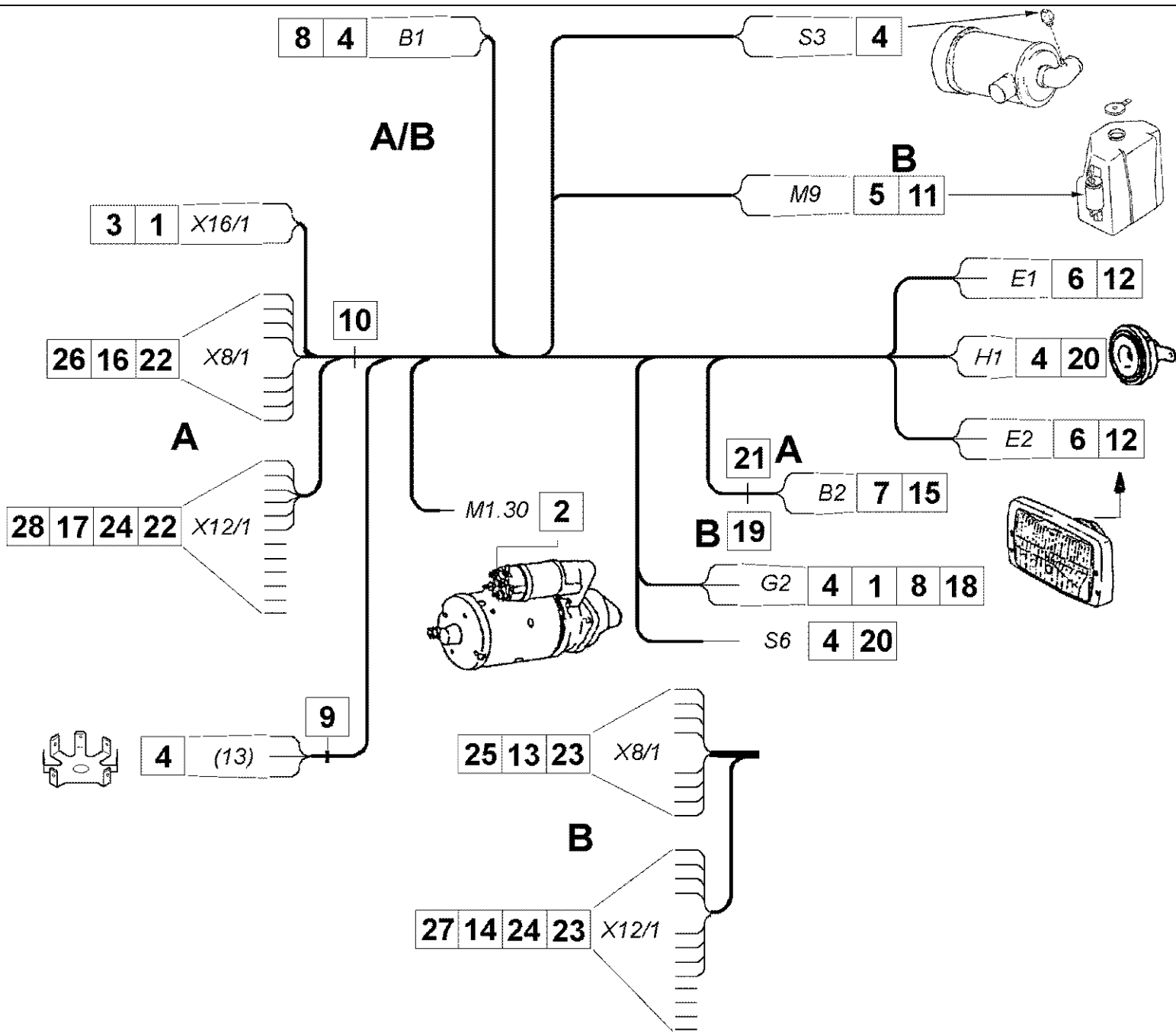
## 04-09(01) SWITCHES

Ref	Onderdeelnummer	Kwt	Beschrijving
35	1-41-177-190	1	KABEL, , Siehe nächste Seite(n)/See next page(s)/Voir page(s) suivante(s)/Se næste side(r)/Vedere pagin(a/e) sequent(e/i)
36	190003098029	2	DICHTINGSRING, , A20x24-CU
37	169200580041	1	DEKSEL,

# A/B/C

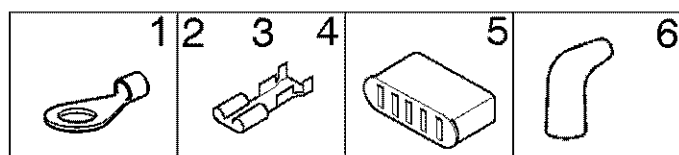
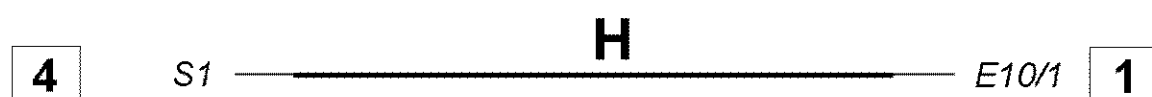
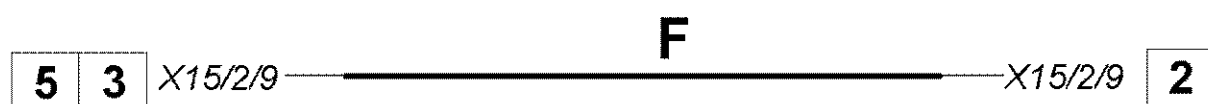
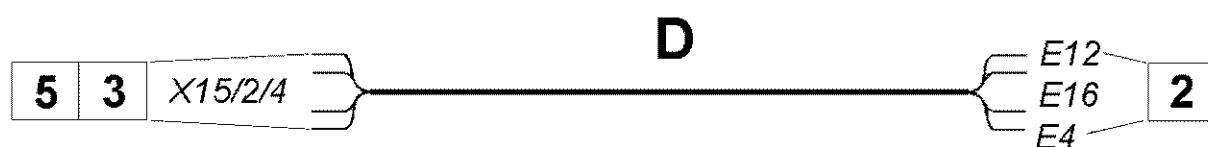
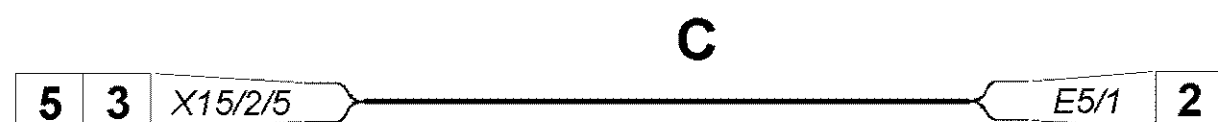
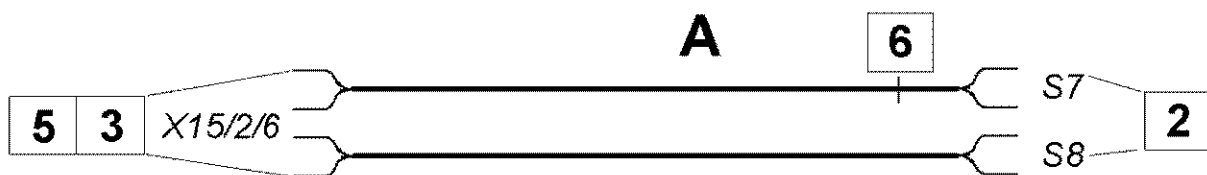


Ref	Onderdeelnummer	Kwt	Beschrijving
A	1-41-177-101	1	HARNESS, , ----> 04340 Armaturen Brett ersetzt / Instrument panel replaces / Tableau de bord remplace/Instrumentpanel udskiftet/Cruscotto sostituisce 1-41-177-001
B	1-41-177-103	1	HARNESS, , 04341 ----> 05069
C	1-41-177-106	1	HARNESS, , 05070 ---->
1	169200770245	1	KABELSCHOEN, , A05
2	190003499671	3	AANSLUITKLEM, , B02
3	190003499650	X	KABELSCHOEN, , G01
4	1880770005	X	KABELSCHOEN, , G03
5	190003499746	2	VERBINDING, , G06
6	179100770006	2	VERBINDING, , G17
7	133700770022	2	LAGERBUS, , G18
8	133700770117	2	VERBINDING, , G22
9	179100770001	2	PROFIEL, , J04
10	135700770206	12	ELECTRISCHE ISOLATIE, , J07 ; 1-Polig / 1-pole / À 1 pôle / 1-polet / 1 polo
11	1-40-177-012	2	BESCHERMSLANG, , J20
12	190003171715	6	SPANHULS, , A2,5x100 / K01
13	190003171697	7	BEVESTIGINGSKLEM, , A5x180 / K02
14	199000770020	1	CONTACTDOOS, , M05 ; 6-Polig / 6-pole / À 6 pôle / 6-polet / 6 polo
15	179100770390	6	CONTACTDOOS, , M24 ; 5-Polig / 5-pole / À 5 pôle / 5-polet / 5 polo
16	169200580204	3	PEDESTAL, , M34 ; 5-Polig / 5-pole / À 5 pôle / 5-polet / 5 polo
17	133700580024	3	CONTACTDOOS, , M44
18	133700770232	1	AANSLUITING, , M45 ; 4-Polig / 4-pole / À 4 pôle / 4-polet / 4 polo
19	133700770233	1	AANSLUITING, , M46 ; 6-Polig / 6-pole / À 6 pôle / 6-polet / 6 polo
20	1-40-177-001	1	CONTACTDOOS, , M85 ; 8-Polig / 8-pole / À 8 pôle / 8-polet / 8 polo
21	1-40-177-003	1	AANSLUITING, , M86 ; 12-Polig / 12-pole / À 12 pôle / 12-polet / 12 polo
22	1-40-277-046	1	AANSLUITING, , M8S
23	169200770004	1	CONTACTDOOS, , N13
24	1-40-177-002	1	CONTACTDOOS, , N44 ; 8-Polig / 8-pole / À 8 pôle / 8-polet / 8 polo
25	1-40-177-004	1	CONTACTDOOS, , N45 ; 12-Polig / 12-pole / À 12 pôle / 12-polet / 12 polo
26	199000770015	2	MEERV. POOLVERBINDINGSTU, , V02 ; 2-Polig / 2-pole / À 2 pôle / 2-polet / 2 polo
27	179100770022	4	VERBINDING, , V03 ; 3-Polig / 3-pole / À 3 pôle / 3-polet / 3 polo
28	179100770023	3	VERDELER, , V04 ; 4-Polig / 4-pole / À 4 pôle / 4-polet / 4 polo
29	169200770007	10	VERBINDING, , X07
30	133700770375	14	KABELSCHOEN, , X30
31	133700770376	14	VERBINDING, , X31
32	133700770383	6	PLUG, , Y20
33	1-40-177-005	1	TUSSENSTUK, , Y23 ; 8-Polig / 8-pole / À 8 pôle / 8-polet / 8 polo
34	1-40-177-006	1	TUSSENSTUK, , Y24 ; 8-Polig / 8-pole / À 8 pôle / 8-polet / 8 polo
35	1-40-177-007	1	AANSLUITING, , Y25 ; 12-Polig / 12-pole / À 12 pôle / 12-polet / 12 polo
36	1-40-177-008	1	TUSSENSTUK, , Y26 ; 12-Polig / 12-pole / À 12 pôle / 12-polet / 12 polo
37	1-40-277-047	1	AANSLUITING, , Y2A

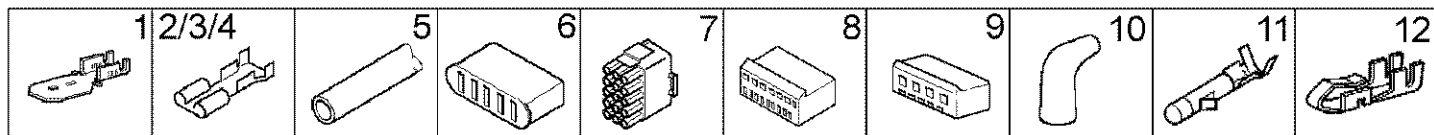
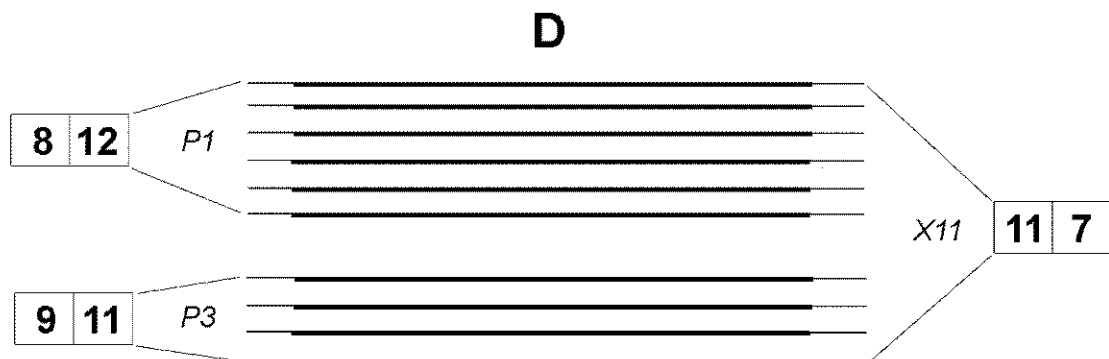
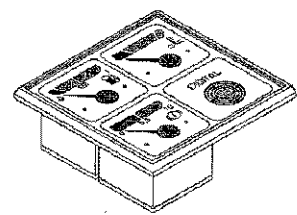
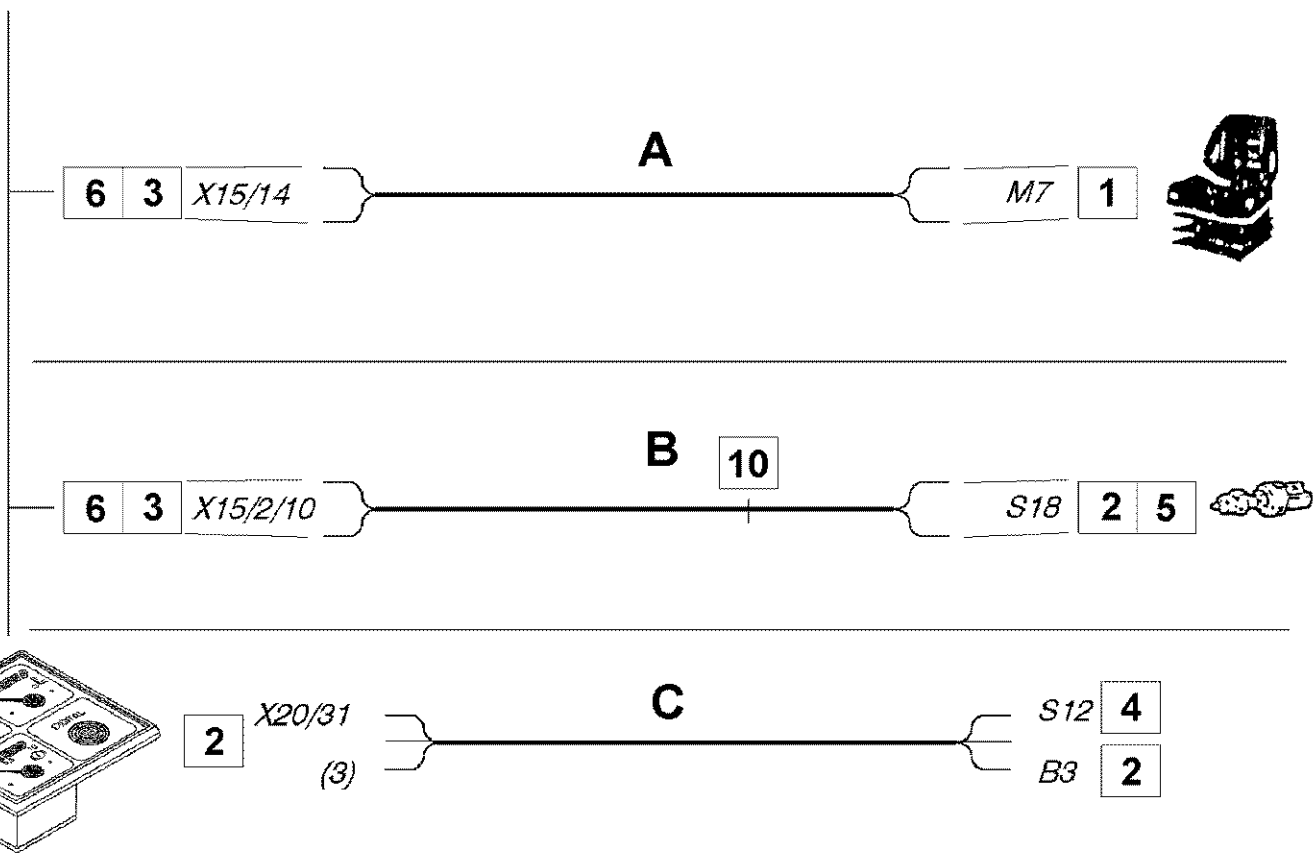
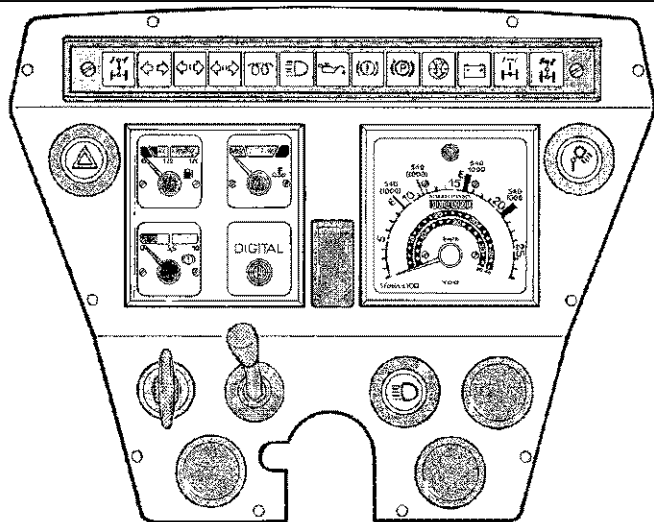


1-3	4-7	8	9	10	11	12	13	14	15	16	
17	18	<b>U20</b>		19	20	21	22	23	24	25	26
27	28										

Ref	Onderdeelnummer	Kwt	Beschrijving
A	1-41-177-210	1	HARNESS, , ---->04340 Ersetzt / Replaces / Remplace / Udskiftet / Sostituisce 1-41-177-110
B	1-41-177-112	1	HARNESS, , 04341 ---->
1	190003499671	2	AANSLUITKLEM, , B02
2	190003499673	1	KABELSCHOEN, , B05
3	190003499672	1	AANSLUITKLEM, , B07
4	190003499650	12	KABELSCHOEN, , G01
5	1880770005	2	KABELSCHOEN, , G03
6	179000770080	8	LAGERBUS, , G10
7	179000770129	2	AANSLUITKLEM, , G19
8	135700770206	3	ELECTRISCHE ISOLATIE, , J07 ; 1-Polig / 1-pole / À 1 pôle / 1-polet / 1 polo
9	190003171715	2	SPANHULS, , A2,5x100 / K01
10	190003171697	1	BEVESTIGINGSKLEM, , A5x180 / K02
11	199014770058	1	AANSLUITING, , M10 ; 2-Polig / 2-pole / À 2 pôle / 2-polet / 2 polo
12	199000720006	2	LAGERBUS, , M21 ; 3-Polig / 3-pole / À 3 pôle / 3-polet / 3 polo
13	1-40-177-001	1	CONTACTDOOS, , M85 ; 8-Polig / 8-pole / À 8 pôle / 8-polet / 8 polo
14	1-40-177-003	1	AANSLUITING, , M86 ; 12-Polig / 12-pole / À 12 pôle / 12-polet / 12 polo
15	1-40-177-009	1	CONTACTDOOS, , M88 ; 2-Polig / 2-pole / À 2 pôle / 2-polet / 2 polo
16	1-40-177-002	1	CONTACTDOOS, , N44 ; 8-Polig / 8-pole / À 8 pôle / 8-polet / 8 polo
17	1-40-177-004	1	CONTACTDOOS, , N45 ; 12-Polig / 12-pole / À 12 pôle / 12-polet / 12 polo
18	13809770107	1	KABELDOORGANG, , U02
19	1-40-177-011	1	KABELDOORGANG, , U20
20	1407090013	1	BESCHERMDEKSEL, , W03
21	135700770019	1	BESCHERMDEKSEL, , W12
22	133700770375	14	KABELSCHOEN, , X30
23	133700770376	16	VERBINDING, , X31
24	133700770383	6	PLUG, , Y20
25	1-40-177-005	1	TUSSENSTUK, , Y23 ; 8-Polig / 8-pole / À 8 pôle / 8-polet / 8 polo
26	1-40-177-006	1	TUSSENSTUK, , Y24 ; 8-Polig / 8-pole / À 8 pôle / 8-polet / 8 polo
27	1-40-177-007	1	AANSLUITING, , Y25 ; 12-Polig / 12-pole / À 12 pôle / 12-polet / 12 polo
28	1-40-177-008	1	TUSSENSTUK, , Y26 ; 12-Polig / 12-pole / À 12 pôle / 12-polet / 12 polo



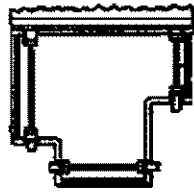
Ref	Onderdeelnummer	Kwt	Beschrijving
A	1-41-177-031	1	KABEL, , Kontaktschalter Handbremse u. Diff.sperre, ersetzt / Contact switch hand brake u. diff.lock, replaces / Commutateur de contact frein a main et blocage du diff, remplace / håndbremse og differentialespærring udskiftet /freno a mano e bloccag 1-41-177-131
B	1-41-177-032	1	KABEL, , Bremslichtschalter, ersetzt / Stop light switch, replaces / Commutateur feu stop, remplace / Stoplyskontakt udskiftet / Freno di stazionamento sostituisce 1-41-177-132
C	1-41-177-033	1	KABEL, , Kennzeichenleuchte / No. plate light / Eclair. plaque pol./Nummerpladelygte/Luce della targa
D	1-41-177-034	1	KABEL, , Positionsleuchte links/Side light left/Feu de position gauche/Positionslygte til venstre/Luce di posizione sinistra
E	1-41-177-035	1	KABEL, , Positionsleuchte rechts/Side light right/Feu de position droit/Positionslygte til højre/Luce di posizione destra
F	1-41-177-037	1	HARNESS, , Neutral / Neutral / Neutre/Neutral/Neutro
G	1-41-177-039	1	KABEL, , Anlaßsperre/Starter interlock/Verrouillage de démarrage/Startspærring/Blocco dell'avviamento
H	1-41-177-102	1	KABEL, , Glühelament / Glow wire / Spirale à incandescence/Glødeelement/Elemento incandescente
1	190003499660	1	KABELSCHOEN, , B08
2	190003499650	X	KABELSCHOEN, , G01
3	1880770005	X	KABELSCHOEN, , G03
4	179100770006	1	VERBINDING, , G17
5	179100770390	5	CONTACTDOOS, , M24 ; 5-Polig / 5-pole / À 5 pôle / 5-polet / 5 polo
6	189100770309	1	BESCHERMDEKSEL, , W04





Ref	Onderdeelnummer	Kwt	Beschrijving
A	1-41-177-086	1	KABEL, , Sitz / Seat / Siege / Sæde / Sedile
B	1-41-177-089	1	KABEL, , Kontrolle Allrad ersetzt / Control allwheel replaces / Control toutes roues remplace / Kontrol firhjulstræk udskiftet / Controllo trazione integrale sostituisce 1-41-177-081
C	1-41-177-190	1	KABEL, , Druckluftbremse / Air brake / Servo frein pneumatique / Trykluftbremse / Freni ad aria compressa
D	1-41-177-602	1	HARNESS, , Kombiinstrument ersetzt / Cluster, Instrument replaces / Combine de bord remplace / Kombi-instrument udskiftet / Strumento combinato sostituisce 135700770101
1	1390770002	2	TERMINAL, SPADE, , F01
2	190003499650	7	KABELSCHOEN, , G01
3	1880770005	4	KABELSCHOEN, , G03
4	199000770238	3	AANSLUITKLEM, , G09
5	169200770198	1	FLEXIBELE BUIS, , J10
6	179100770390	2	CONTACTDOOS, , M24 ; 5-Polig / 5-pole / À 5 pôle / 5-polet / 5 polo
7	169200770003	1	AANSLUITING, , M27 ; 15-Polig / 15-pole / À 15 pôle / 15-polet / 15 polo
8	135700770226	1	CONTACTDOOS, , M48 ; 7-Polig / 7-pole / À 7 pôle / 7-polet / 7 polo
9	135700770231	1	AANSLUITING, , M52 ; 4-Polig / 4-pole / À 4 pôle / 4-polet / 4 polo
10	189100770309	1	BESCHERMDEKSEL, , W04
11	169200770006	10	VERBINDING, , X06
12	135700770225	10	KABELSCHOEN, , X10

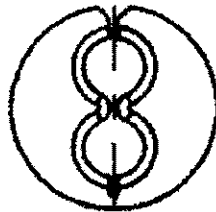
**Y40-49/4A-4X**



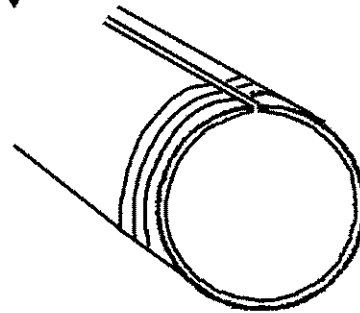
**Y50-57**



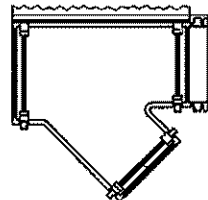
**Y60-61 / Y5Q**



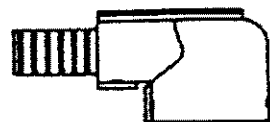
**48-54**



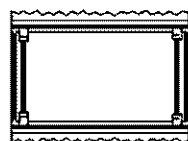
**Y70-Y4Y**



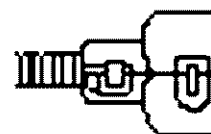
**Y4Q-Y4T**



**Y4Z**



**Y5K / Y4U**

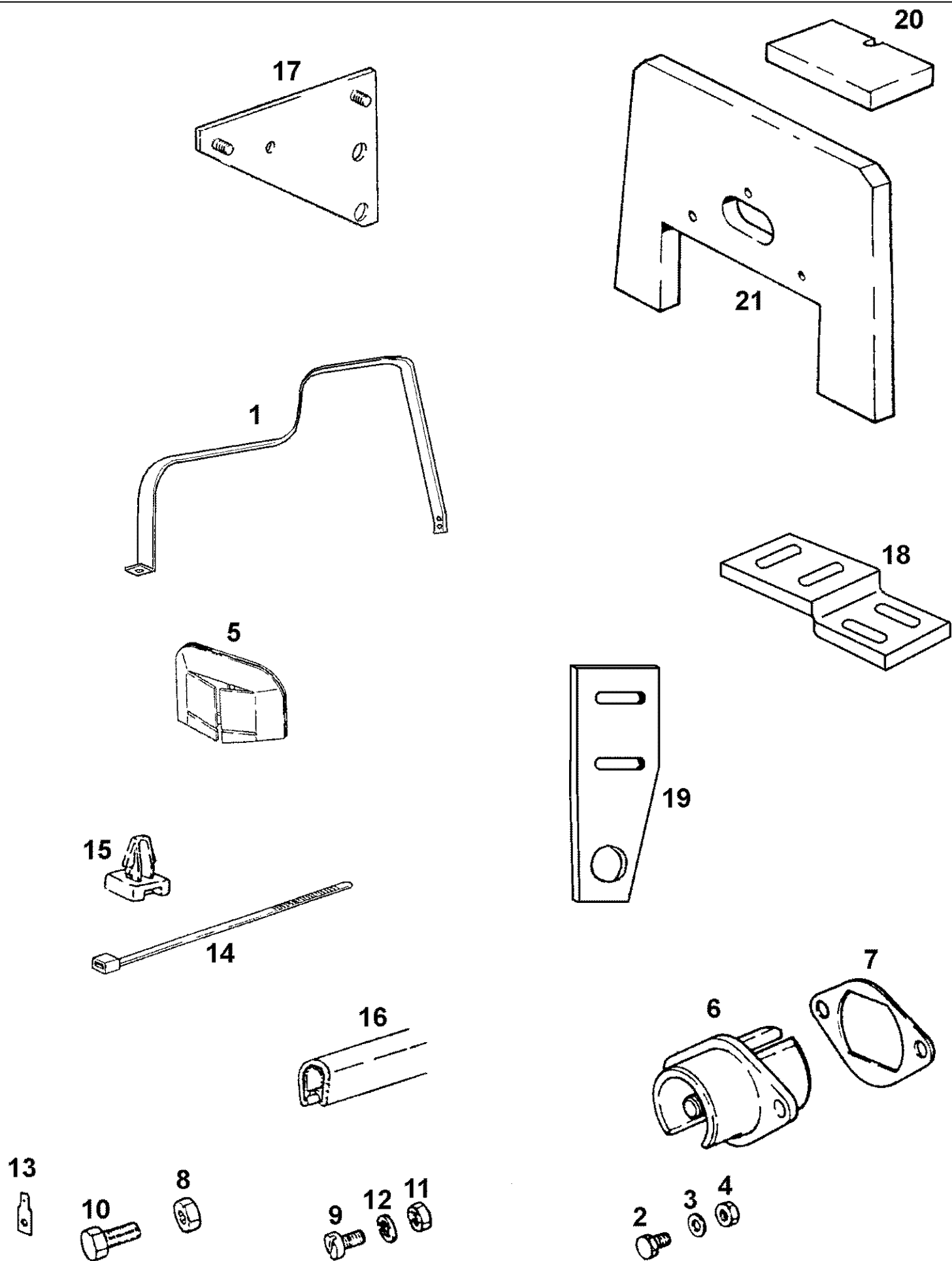


## 04-14(01) CABLE - PROTECTION SYSTEM

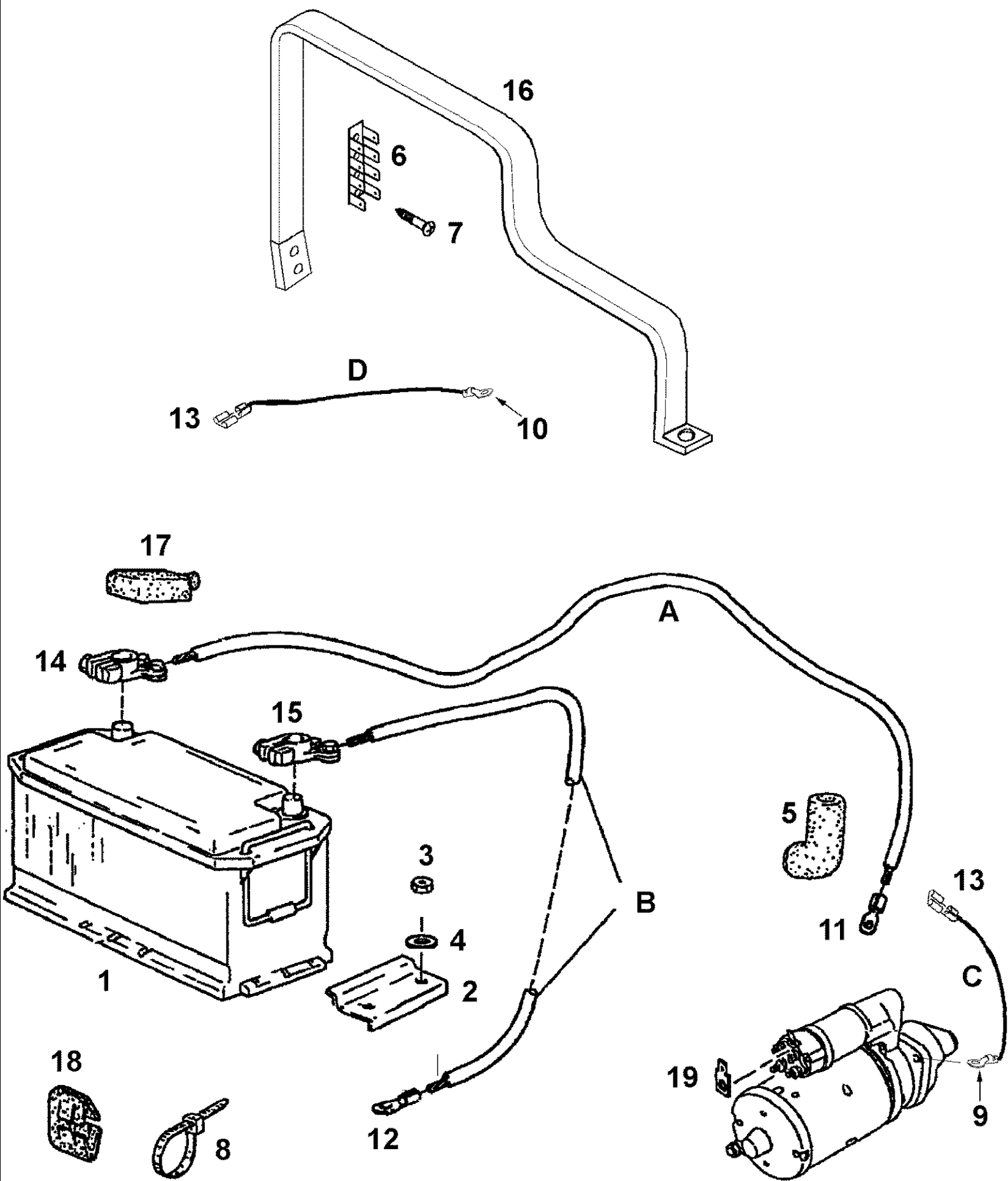
Ref	Onderdeelnummer	Kwt	Beschrijving
1	1-40-577-100	X	VERBINDING, , Y40
2	1-40-577-101	X	VERBINDING, , Y41
3	1-40-577-102	X	VERBINDING, , Y42
4	1-40-577-103	X	VERBINDING, , Y43
5	1-40-577-104	X	VERBINDING, , Y44
6	1-40-577-105	X	VERBINDING, , Y45
7	1-40-577-106	X	VERBINDING, , Y46
8	1-40-577-107	X	VERBINDING, , Y47
9	1-40-577-108	X	VERBINDING, , Y48
10	1-40-577-109	X	VERBINDING, , Y49
11	1-40-577-120	X	ELECTRISCHE ISOLATIE, , Y4A
12	1-40-577-121	X	ELECTRISCHE ISOLATIE, , Y4B
13	1-40-577-123	X	ELECTRISCHE ISOLATIE, , Y4C
14	1-40-577-124	X	ELECTRISCHE ISOLATIE, , Y4D
15	1-40-577-122	X	ELECTRISCHE ISOLATIE, , Y4E
16	1-40-577-125	X	ELECTRISCHE ISOLATIE, , Y4F
17	1-40-577-126	X	ELECTRISCHE ISOLATIE, , Y4G
18	1-40-577-127	X	ELECTRISCHE ISOLATIE, , Y4H
19	1-40-577-129	X	ELECTRISCHE ISOLATIE, , Y4J
20	1-40-577-131	X	ELECTRISCHE ISOLATIE, , Y4K
21	1-40-577-128	X	ELECTRISCHE ISOLATIE, , Y4L
22	1-40-577-132	X	ELECTRISCHE ISOLATIE, , Y4M
23	1-40-577-133	X	ELECTRISCHE ISOLATIE, , Y4N
24	1-40-577-134	X	ELECTRISCHE ISOLATIE, , Y4P
25	1-40-577-135	X	AFSCHERMING, , Y4Q
26	1-40-577-136	X	AFSCHERMING, , Y4R
27	1-40-577-137	X	AFSCHERMING, , Y4S
28	1-40-577-138	X	AFSCHERMING, , Y4T
29	1-40-577-139	X	AFSCHERMING, , Y4U
30	1-40-577-140	X	ELECTRISCHE ISOLATIE, , Y4V
31	1-40-577-141	X	ELECTRISCHE ISOLATIE, , Y4W
32	1-40-577-142	X	ELECTRISCHE ISOLATIE, , Y4X
33	1-40-577-143	X	OPVULPIJP, , Y4Y - Y-Stück / Y-splicer / piece-Y / Y-Stk. / Y-Pezzo
34	1-40-577-144	X	TRANSFORMATOR, , Y4Z
35	1-40-577-110	X	STOPBEUGEL, , Y50
36	1-40-577-111	X	STOPBEUGEL, , Y51
37	1-40-577-112	X	STOPBEUGEL, , Y52
38	1-40-577-113	X	STOPBEUGEL, , Y53
39	1-40-577-114	X	STOPBEUGEL, , Y54
40	1-40-577-115	X	STOPBEUGEL, , Y55
41	1-40-577-116	X	STOPBEUGEL, , Y56

## 04-14(01) CABLE - PROTECTION SYSTEM

Ref	Onderdeelnummer	Kwt	Beschrijving
42	1-40-577-117	X	STOPBEUGEL, , Y57
43	1-40-577-146	X	VERBINDING, , Y6H
44	1-40-577-151	X	TRANSFORMATOR, , Y5Q
45	1-40-577-118	X	VERBINDING, , Y60
46	1-40-577-119	X	VERBINDING, , Y61
47	1-40-577-130	X	ELECTRISCHE ISOLATIE, , Y70 - Y-Stück / Y-splicer / Y-piece / Y-Stk. / Y-Pezzo
48	190003172413	X	MANTEL, FLEXIBEL, , 4,5-SW-GS - Bestelmengde : 1m / Order quantity : 1m / commander quantité : 1m / Bestilt mængde: 1m / Quantità ordine : 1m
49	190003172414	X	MANTEL, FLEXIBEL, , 6-SW-GS - Bestelmengde : 1m / Order quantity : 1m / commander quantité : 1m / Bestilt mængde: 1m / Quantità ordine : 1m
50	190003172415	X	MANTEL, FLEXIBEL, , 8,5-SW-GS - Bestelmengde : 1m / Order quantity : 1m / commander quantité : 1m / Bestilt mængde: 1m / Quantità ordine : 1m
51	190003172416	X	MANTEL, FLEXIBEL, , 11-SW-GS - Bestelmengde : 1m / Order quantity : 1m / commander quantité : 1m / Bestilt mængde: 1m / Quantità ordine : 1m
52	190003172417	X	MANTEL, FLEXIBEL, , 15-SW-GS - Bestelmengde : 1m / Order quantity : 1m / commander quantité : 1m / Bestilt mængde: 1m / Quantità ordine : 1m
53	190003172418	X	MANTEL, FLEXIBEL, , 19-SW-GS - Bestelmengde : 1m / Order quantity : 1m / commander quantité : 1m / Bestilt mængde: 1m / Quantità ordine : 1m
54	190003172419	X	MANTEL, FLEXIBEL, , 26-SW-GS - Bestelmengde : 1m / Order quantity : 1m / commander quantité : 1m / Bestilt mængde: 1m / Quantità ordine : 1m



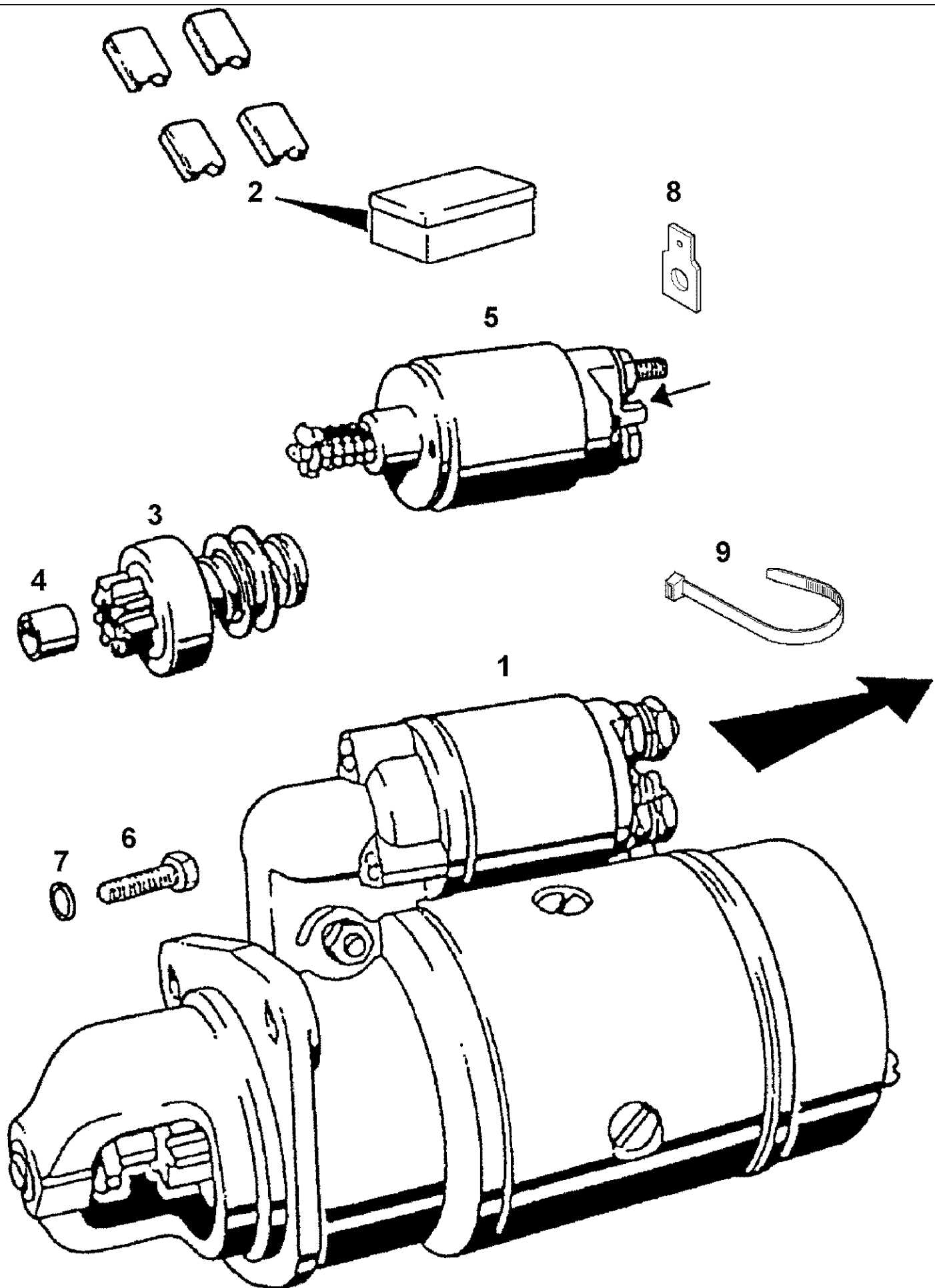
Ref	Onderdeelnummer	Kwt	Beschrijving
1	1-41-177-113	1	SATELIETDRAGER,
2	16043224	1	BOUT, Hex, M8 x 16, 8.8, Full Thd, SK.SHR
3	896-11008	1	SLUITRING, M8 x 17.5 x 2, HT, , 9x17x2mm, Ersetzt/Replaces/Remplace/Udskiftet/Sostituisce 190003930261
4	825-1408	1	MOER, M8, CI 8, Ersetzt/Replaces/Remplace/Udskiftet/Sostituisce190003871252
5	1-41-177-017	1	DICHTINGSRING, , Ersetzt/Replaces/Remplace/Udskiftet/Sostituisce 1-41-177-012
6	1-40-171-002	1	TERMINAL CONNECTOR,
7	1-40-171-003	1	DICHTINGSSTUK,
8	190003880086	1	MOER, , AM 8-10-A3C
9	190003822232	2	SCHROEF, , ----> Zyl. M5x16-4.8-A2C
10	190003820165	2	SCHROEF, , Li. M5x16-4.8-H-A2C ---->
11	825-1405	2	MOER, M5, CI 8, Ersetzt/Replaces/Remplace/Udskiftet/Sostituisce190003871222
12	190003930241	2	SLUITRING, , A5,3-140HV-A3C
13	133700770042	1	VERBINDING, , S09
14	190003171697	41	BEVESTIGINGSKLEM, , A5x180 / K02
15	199000770242	2	RETAINER, CABLE,
16	190003179028	X	AFSCHERMING,
17	135700580168	1	PLAAT, , Digital / Digital / Digital / Digital / Digitale
18	1-33-135-009	1	KONZOOL, , Differential Sperre/Differential lock/Blocage de différentiel/Differentialspærring/Bloccaggio del differenziale
19	1-41-171-039	1	KONZOOL, , Anlaßsperre / Starter interlock / Verrouillage de démarrage / Startspærring / Blocco dell'avviamento
20	1-41-177-832	1	MAT,
21	1-41-177-833	1	MAT,



## 04-16(01) BATTERIE AND STARTER LEADS

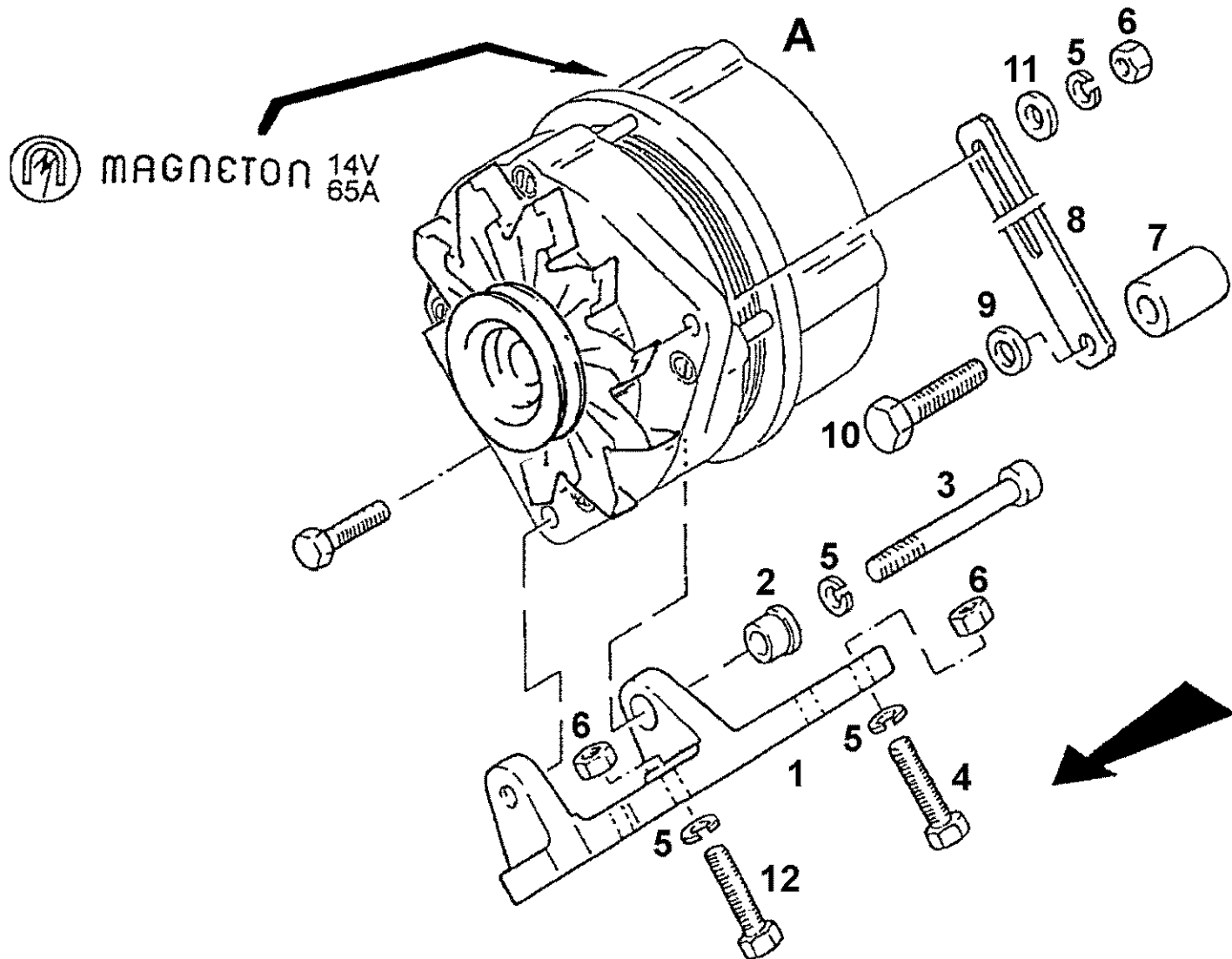
Ref	Onderdeelnummer	Kwt	Beschrijving
A	1-41-177-011	1	KABEL, , Anlasser ersetzt / Starter replaces / Démarreur remplace / Starter udskiftet / Motorino di avviamento sostituisce 1-41-177-111
B	1-41-177-014	1	KABEL, , Batterie Masse ersetzt / Battery grounding replaces / Batterie a masse remplace / Batteri stel udskiftet / Batteria massa sostituisce 133700770277
C	1-41-177-015	1	KABEL, , Kabelträger Masse / Cablecarrier grounding / Câble pilier soutien a masse / Kabelbøjle stel / Supporto cavi massa /
D	1-41-177-036	1	KABEL, , Motor Kabinen Masse ersetzt / Engine cab grounding replaces / Moteur cabine a masse remplace / Motor kabine stel udskiftet / Motore cabina massa sostituisce 1-41-177-136
1	133700760199	1	DROGE BATTERIJ, , 12V/100AH/420A
2	1-33-176-103	1	HOEKSTUK, , Ersetzt/Replaces/Remplace/Udskiftet/Sostituisce 1-33-176-003
3	190003888722	2	MOER, , M8-8-A2C
4	896-11008	2	SLUITRING, M8 x 17.5 x 2, HT, , 9x17x2mm, Ersetzt/Replaces/Remplace/Udskiftet/Sostituisce 190003930261
5	12130 090030	1	FAIRING, LIGHT, , U05
6	139900580030	1	VERDELER, , V20
7	190003840018	2	SCHROEF, , Bl. St2,9x6,6-C-H-A3C
8	190003171697	16	BEVESTIGINGSKLEM, , A5x180 / K02
9	190003499668	1	KABELSCHOEN, , B03
10	190003499660	1	KABELSCHOEN, , B08
11	199000770222	1	VERBINDING, , C09
12	169200770261	1	KABELSCHOEN, , C16
13	190003499746	2	VERBINDING, , G06
14	190003439922	1	VERBINDING, , (+) H01
15	190003439923	1	VERBINDING, , (-) H02
16	1-41-177-113	1	SATELIETDRAGER,
17	1-40-276-003	1	KABELDOORGANG, , Q49
18	1-41-177-017	1	DICHTINGSRING, , Ersetzt/Replaces/Remplace/Udskiftet/Sostituisce 1-41-177-012
19	133700770042	1	VERBINDING, , S09



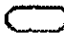


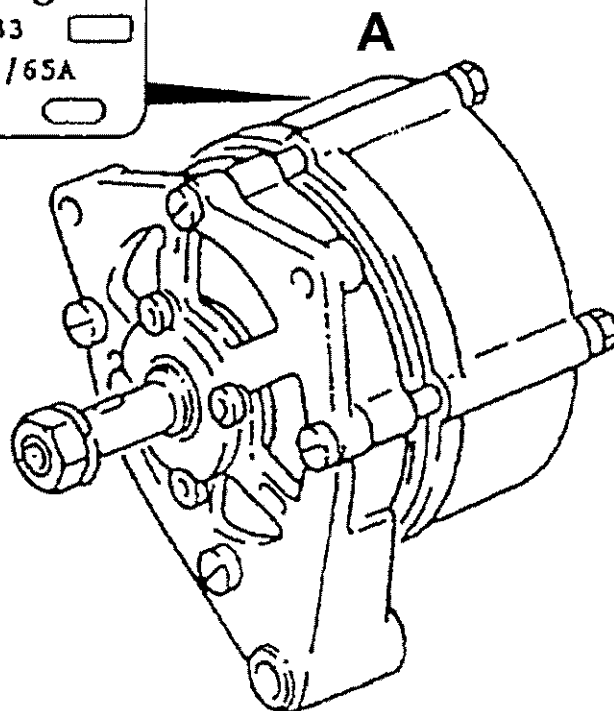


## 04-17(01) STARTER

Ref	Onderdeelnummer	Kwt	Beschrijving
1	130100090735	1	STARTMOTOR, , Besteht aus/Consists of/Compose de/Bestående af/È composto da 1 - 5
2	130100090736	1	BORSTELHOUDER,
3	130100090730	1	PIGNON,
4	130100090705	1	LAGERBUS,
5	130100090731	1	SWITCH, SOLENOID,
6	190003802527	3	SCHROEF, , M10x30-8.8
7	130100020701	3	RING,
8	133700770042	1	VERBINDING, , S09
9	190003170283	1	BUISKLEM, , A8x280 / K04

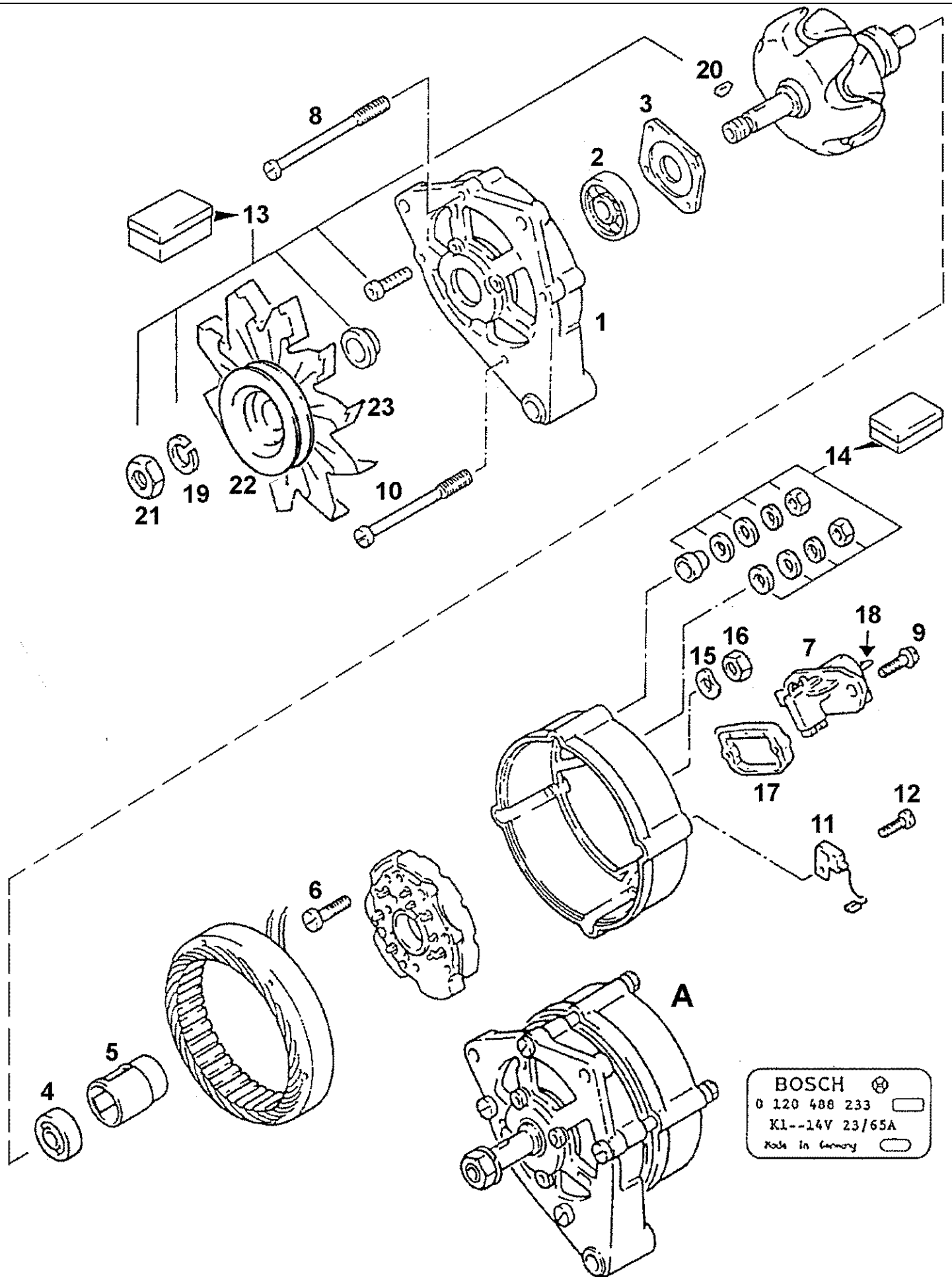


BOSCH   
0 120 488 233   
K1--14V 23/65A  
Made in Germany 

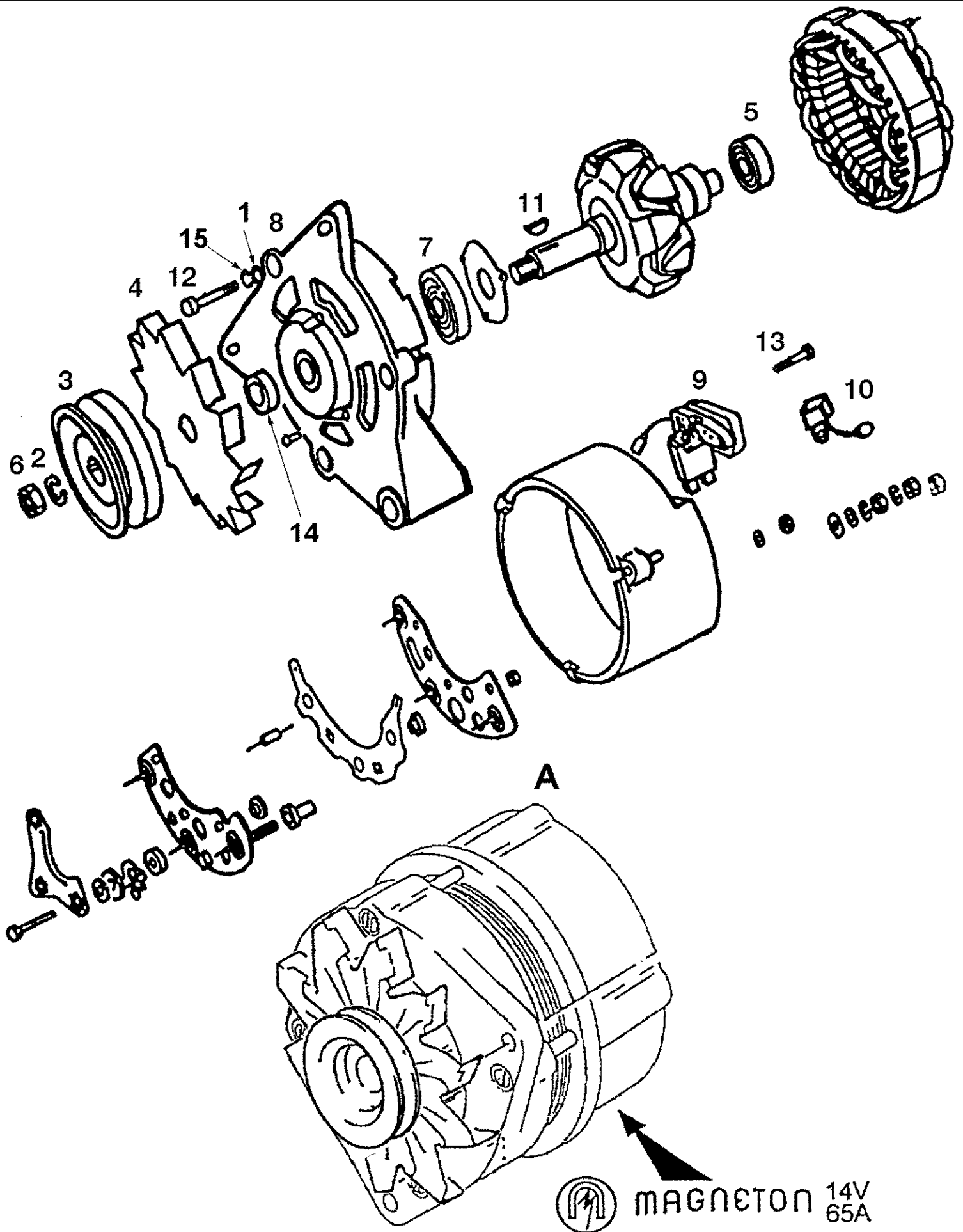


## 04-18(01) ALTERNATOR INSTALLATION

Ref	Onderdeelnummer	Kwt	Beschrijving
A	130100090744	1	ALTERNATOR, , 65Amp. Siehe nächste Seite(n)/See next page(s)/Voir page(s) suivante(s)/Se næste side(r)/Vedere pagin(a/e) seguent(e/i) - Ersetzt/Replaces/Remplace/Udskiftet/Sostituisce 130100090739
1	130100090740	1	STEUNBEUGEL,
2	130100090737	1	LAGERBUS,
3	190003862477	1	SCHROEF, , M8x80-10.9
4	15213321	3	BOUT, Hex, M8 x 35, 8.8,
5	130100010705	4	RING,
6	190003871258	3	MOER, , M8x1-10
7	130100090733	1	AFSTANDSRING,
8	130100090732	1	VERWISSELBAAR RISTERVOORS,
9	190003930108	1	SLUITRING, , A10,5
10	43128	1	BOUT, Hex, M8 x 30, 8.8, M110x50-10.9-A3C
11	130100090734	1	SCHIJF,
12	43128	1	BOUT, Hex, M8 x 30, 8.8,



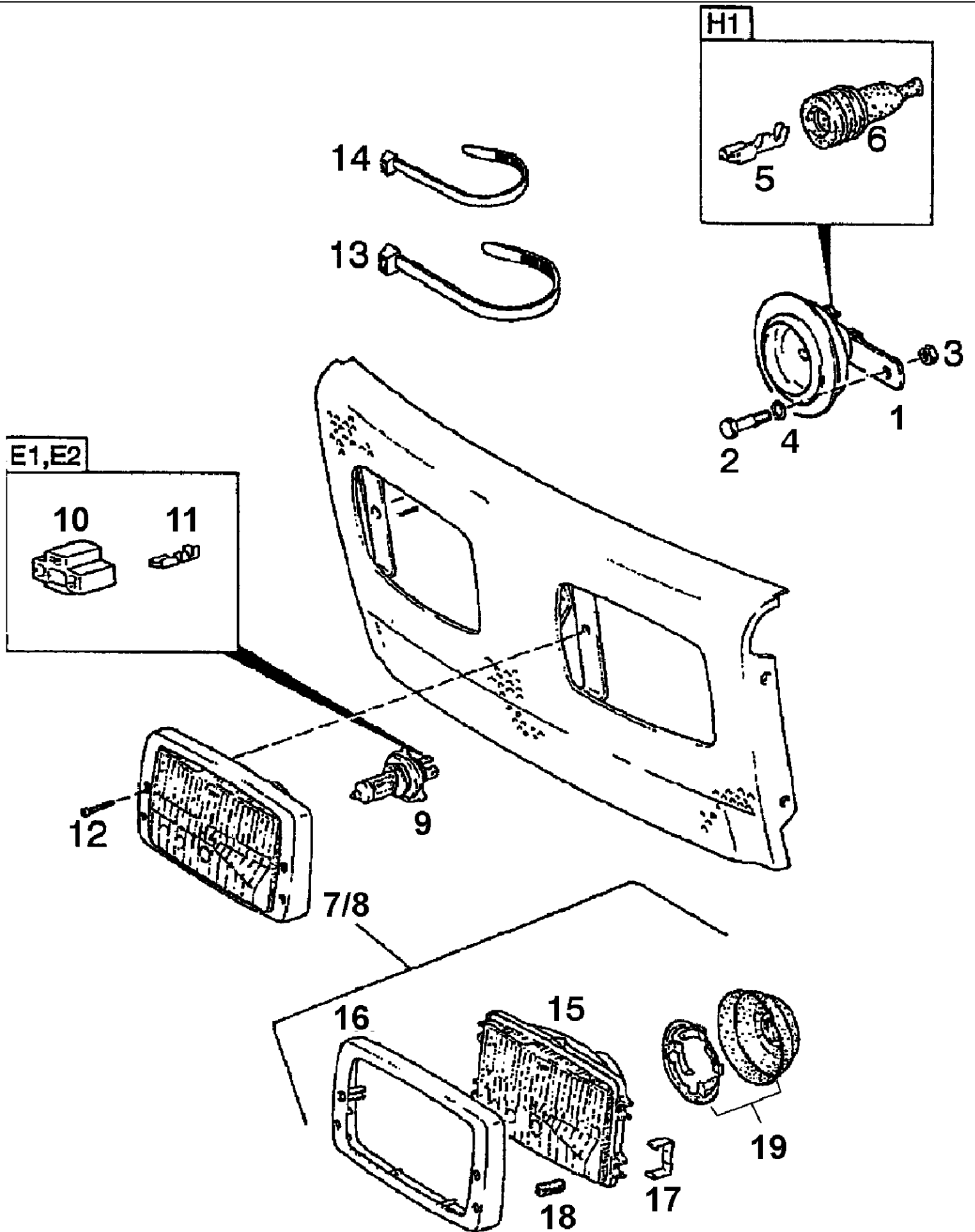
Ref	Onderdeelnummer	Kwt	Beschrijving
A	130100090739	1	ALTERNATOR, , 65Amp, Besteht aus/Consists of/Compose de/Bestående af/È composto da 1-12, 15 - 23
1	130100090758	1	LAGERHUIS,
2	130100090759	1	LAGER, KOGEL,
3	161000090762	1	PLAAT,
4	130100090761	1	LAGER, KOGEL,
5	131100090723	1	AFSTANDSRING,
6	131100090724	1	SCHROEF,
7	130100090717	1	REGELAAR,
8	130100090773	4	SCHROEF,
9	1530431C1	2	BOUW, , Ersetzt/Replaces/Remplace/Udskiftet/Sostituisce 8003/00396
10	130100090774	1	SCHROEF,
11	161000090063	1	CONDENSATOR,
12	190003823816	1	SCHROEF, , M5x10
13	161200090713	1	STEL ONDERDELEN, Einschließlich/Includes/Avec/Inklusive/Compreso 19 - 21
14	130100090786	1	SET OF PARTS,
15	190003932020	1	SLUITRING, , A5-FST-A3C
16	825-1405	1	MOER, M5, CI 8, Ersetzt/Replaces/Remplace/Udskiftet/Sostituisce 190003871222
17	130100090719	1	DICHTINGSRING,
18	133700770042	1	VERBINDING, , S09
19	130100080737	1	BORGRING,
20	130100090743	1	STRAALMASSA,
21	190003871534	1	MOER, , M14x1,5
22	130100090747	1	RIEMSCHIJF,
23	130100090748	1	LEIDING,



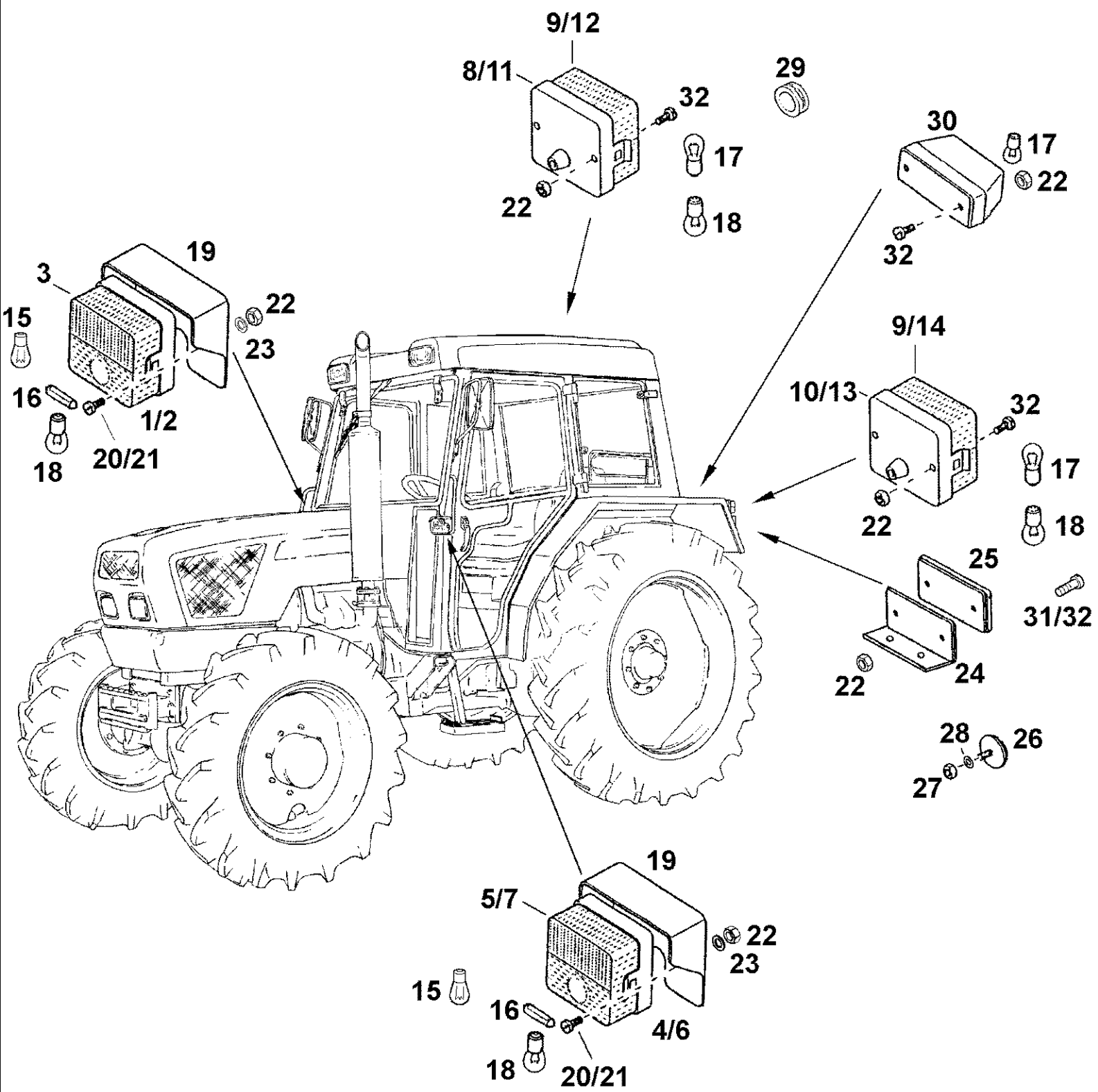
 **MAGNETON** 14V  
65A

Ref	Onderdeelnummer	Kwt	Beschrijving
A	130100090744	1	ALTERNATOR, , 65Amp, Besteht aus/Consists of/Compose de/Bestående af/È composto da 1 - 15
1	142000090717	3	SLUITRING,
2	130100090746	1	VEERRING,
3	130100090747	1	RIEMSCHIJF,
4	142000090067	1	VENTILATOR,
5	130100090750	1	LAGER, KOGEL,
6	142000090008	1	MOER, , M14x1,5
7	130100090757	1	LAGER, KOGEL,
8	130100090752	1	LAGERHUIS,
9	130100090753	1	BORSTELHOUDER,
10	130100090755	1	CAPACITOR,
11	142000090719	1	RING, SNAP,
12	142000090715	3	SCHROEF,
13	142000090721	2	COVER ASSY,
14	130100090787	1	AFSTANDSRING,
15	142000090716	3	SLUITRING,



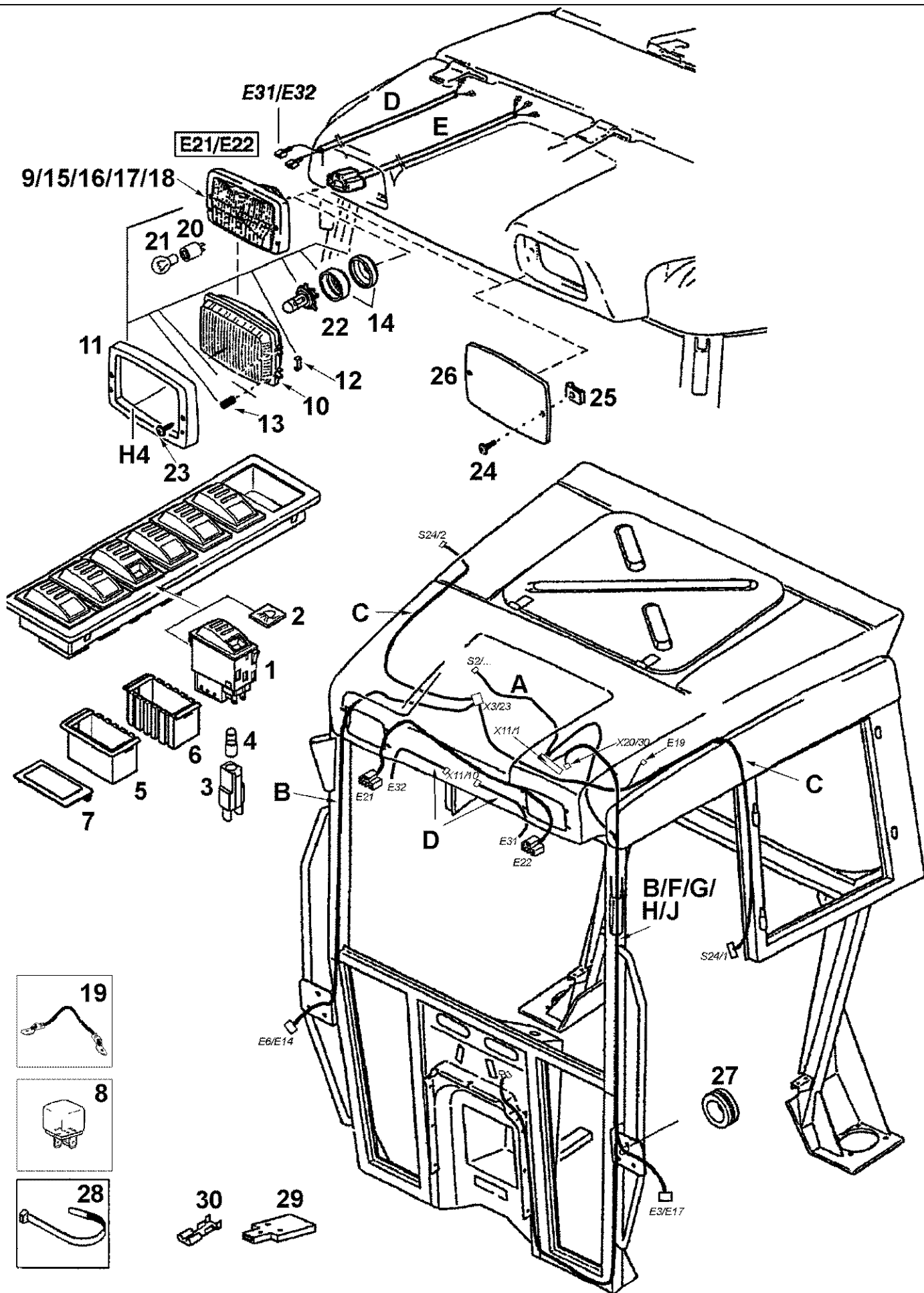


Ref	Onderdeelnummer	Kwt	Beschrijving
1	1-40-171-040	1	HOORN, , Ersetzt/Replaces/Remplace/Udskiftet/Sostituisce 159000710013 + 1-40-171-020
2	43128	1	BOUT, Hex, M8 x 30, 8.8,
3	190003888451	1	MOER, , VM8-8
4	896-11008	1	SLUITRING, M8 x 17.5 x 2, HT, , 9x17x2mm, Ersetzt/Replaces/Remplace/Udskiftet/Sostituisce 190003930261
5	190003499650	2	KABELSCHOEN, , G01
6	1407090013	2	BESCHERMDEKSEL, , W03
7	1-34-172-045	2	KOPLAMP, , Für Rechtsverkehr/For right-hand traffic/Pour circulation a droite/Til højrestyring/Anche per guida a destra - Besteht aus/Consists of/Compose de/Bestående af/È composto da 16 - 19
8	1-34-172-145	2	KOPLAMP, , Für Linksverkehr/For left hand traffic/Pour circulation a gauche/Til venstrestyring/Anche per guida a sinistra
9	190003450013	2	LAMP, , H4-12V60/55W
10	199000720006	2	LAGERBUS, , M21 ; 3-Polig / 3-pole / À 3 pôle / 3-polet / 3 polo
11	179000770080	6	LAGERBUS, , G10
12	190003844618	4	SCHROEF, , St4,2x32-C-H-A3R
13	190003170283	2	BUISKLEM, , A8x280 / K04
14	190003171697	5	BEVESTIGINGSKLEM, , A5x180 / K02
15	1-34-772-042	1	LENS/REFLEKTOR GROEP, , Für Rechtsverkehr/For right-hand traffic/Pour circulation a droite/Til højrestyring/Anche per guida a destra - Ersetzt/Replaces/Remplace/Udskiftet/Sostituisce1-34-772-026 + 1-34-772-027 + 1-34-772-063
16	1-34-772-028	1	MONTUUR, , Ersetzt/Replaces/Remplace/Udskiftet/Sostituisce1-34-772-064
17	1-34-772-029	2	VEER, , Ersetzt/Replaces/Remplace/Udskiftet/Sostituisce 1-34-772-065
18	1-34-772-030	2	SCHROEF, , Ersetzt/Replaces/Remplace/Udskiftet/Sostituisce 1-34-772-066
19	1-34-772-011	1	STOFKAP, , Ersetzt/Replaces/Remplace/Udskiftet/Sostituisce 1-34-772-031 + 1-34-772-067 + 1-34-772-068



## 04-22(01) LAMPS FLASH AND STOP LIGHT

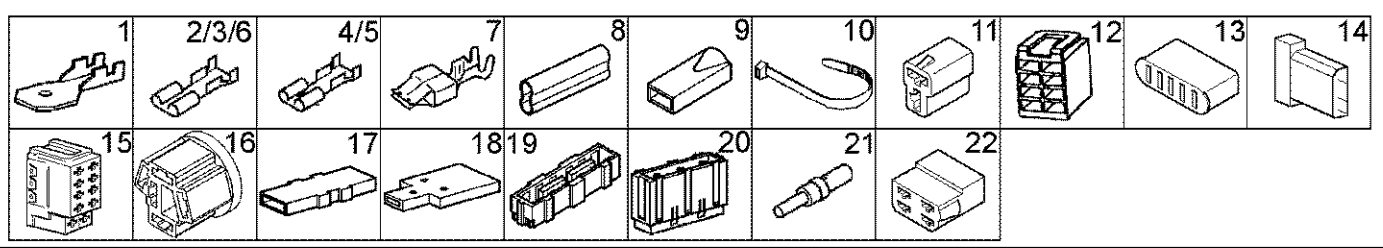
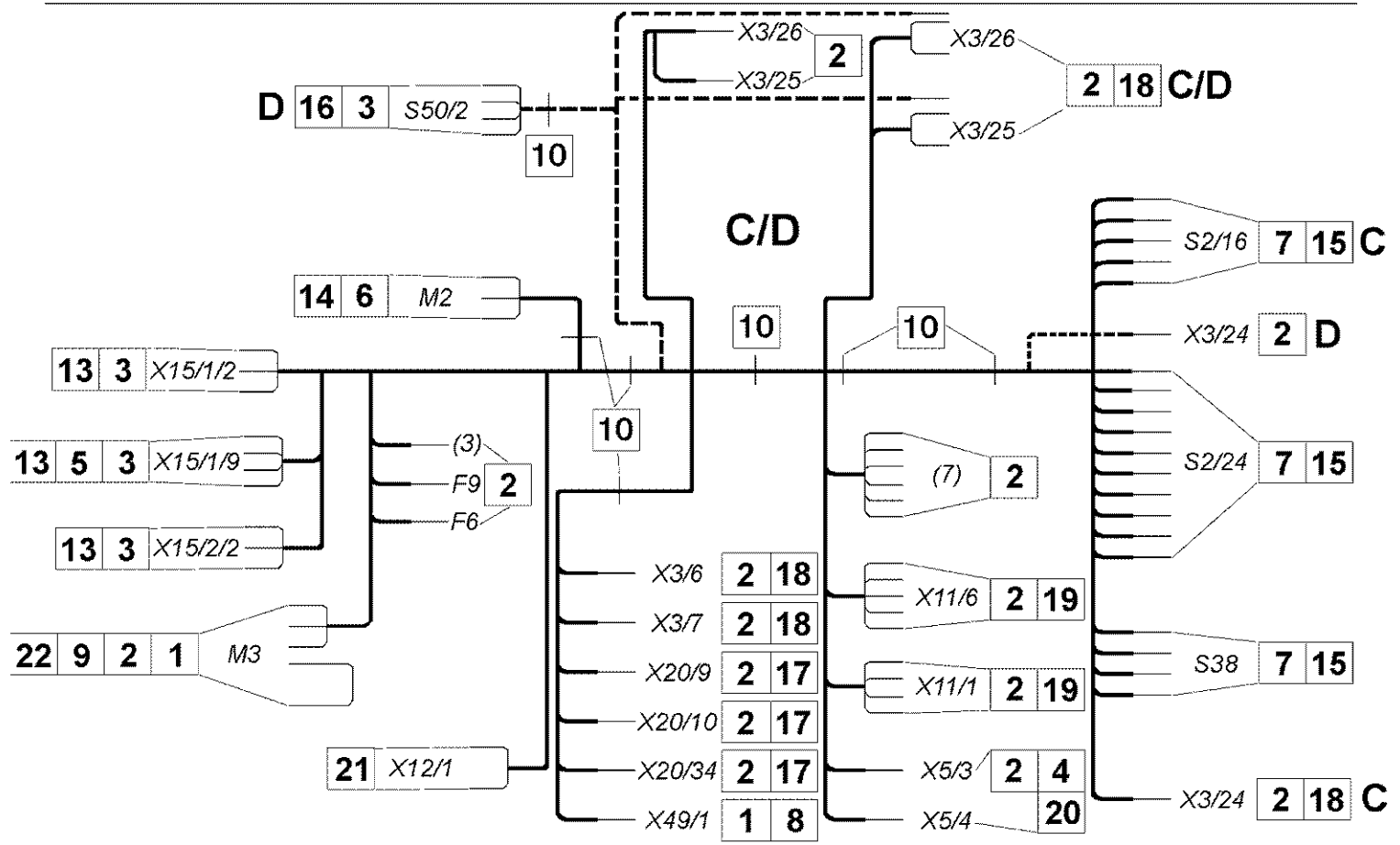
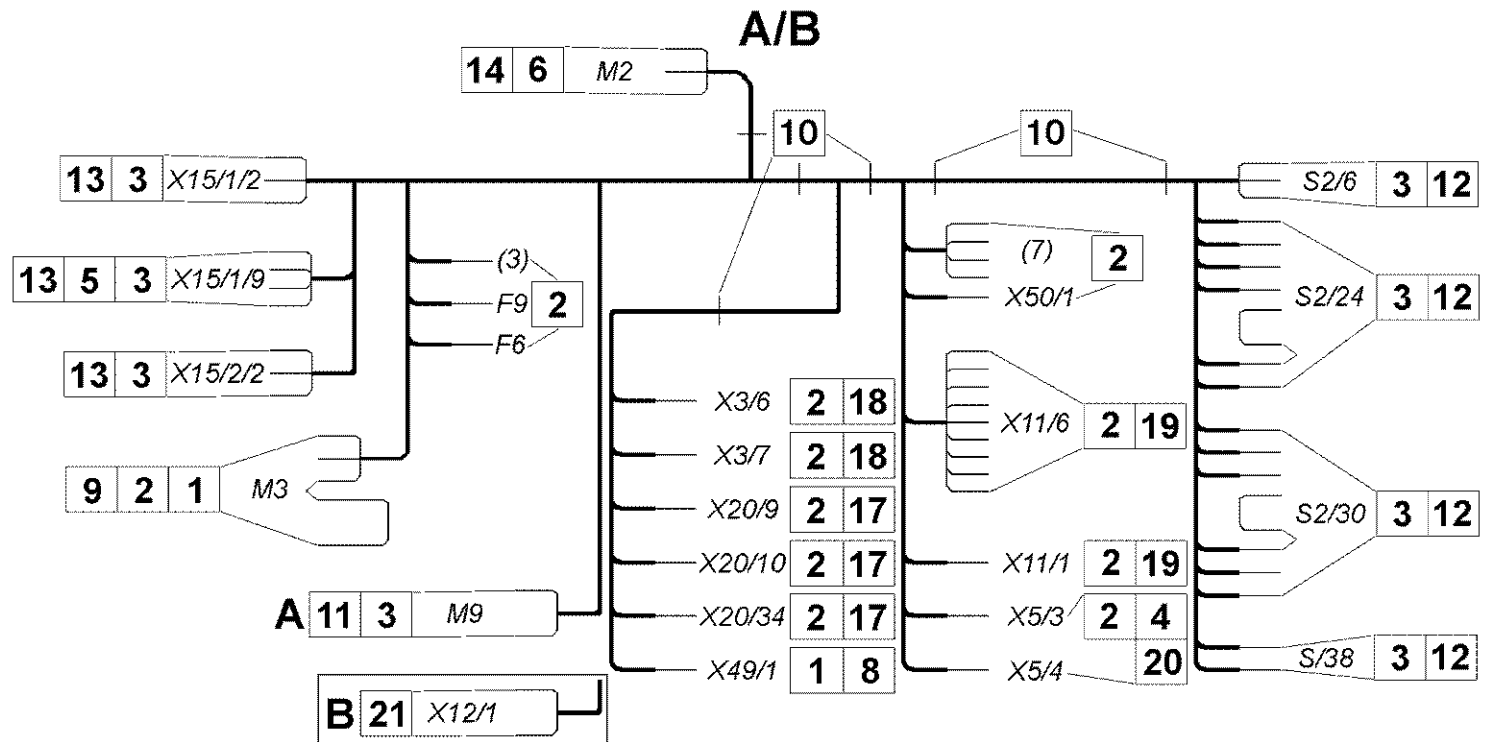
Ref	Onderdeelnummer	Kwt	Beschrijving
1	1-34-173-010	1	LAMP VOORAAN, , HELLA , Rechts/Right/Droite/Højre/Destra
2	1-40-173-003	1	LAMP VOORAAN, , YOKON ( NIOX ), Rechts/Right/Droite/Højre/Destra
3	1-40-773-002	1	LENS, , YOKON ( NIOX ), Rechtsvorn/Front right hand side/Avant-droit/Forrest til højre/Anteriore destro
4	1-34-173-011	1	LAMP VOORAAN, , HELLA, Links/Left/Gauche/Venstre/Sinistro
5	1-34-773-007	2	TRANSPARENTE, , HELLA, Links + Rechts/Left + Right/Gauche + Droite/Venstre + Højre/Sinistro + Destra
6	1-40-173-002	1	LAMP VOORAAN, , YOKON ( NIOX ), Links/Left/Gauche/Venstre/Sinistro
7	1-40-773-001	1	TRANSPARENTE, , YOKON ( NIOX ), Linksvorn/Front left hand side/Gauche avant/Forrest til venstre/Anteriore sinistro
8	1-34-176-060	1	INSTRUMENTENLICHT, , ---->06147 HELLA, Rechts/Right/Droite/Højre/Destra
9	1-34-776-010	2	TRANSPARENTE, , HELLA, Links + Rechts/Left + Right/Gauche + Droite/Venstre + Højre/Sinistro + Destra
10	1-34-176-061	1	ACHTERLICHT, , ---->06147 HELLA, Links/Left/Gauche/Venstre/Sinistro
11	1-40-176-003	1	ACHTERLICHT, , 06148 ----> YOKON ( NIOX ), Rechts/Right/Droite/Højre/Destra
12	1-40-776-003	1	TRANSPARENTE, , YOKON ( NIOX ), Rechtshinter/Rear right hand side/Arrière-droit/Bagest til højre/Posteriore destro
13	1-40-176-002	1	ACHTERLICHT, , 06148 ----> YOKON ( NIOX ), Links/Left/Gauche/Venstre/Sinistro
14	1-40-776-002	1	TRANSPARENTE, , YOKON ( NIOX ), Linkshinter/Rear left hand side/Gauche arrière/Bagest til venstre/Posteriore sinistro
15	190003452276	X	LAMP, , L-12V/5W
16	190003452216	X	LAMP, , G-12V/5W
17	190003452241	X	LAMP, , G-12V/10W
18	190003452245	X	LAMP, , P25-1-12V/21W
19	1-40-173-001	2	DEKSEL, , Ersetzt/Replaces/Remplace/Udskiftet/Sostituisce 1-34-073-001
20	190003802225	4	SCHROEF, , M5x20-8.8-A2C
21	190003822232	X	SCHROEF, , M5x16-4,8-A2C
22	825-1405	X	MOER, M5, CI 8, Ersetzt/Replaces/Remplace/Udskiftet/Sostituisce 190003871222
23	190003930241	10	SLUITRING, , A5,3
24	1-34-176-005	2	STEUNBEUGEL,
25	1-34-176-050	2	RETRO-REFLECTOR,
26	189000810001	2	BUITENREFLECTOR,
27	15896221	2	MOER, M6, CI 10, , M6-8-A2C, DIN934
28	190003931082	2	SLUITRING, , A6-FST-A3C
29	190003129006	1	KABELDOORGANG, , Q01 ; 6x1
30	1-34-176-085	1	LAMP,
31	840-1512	10	SCHROEF, Cross Pan Hd, M5 x 12, , Zyl. M5x12-4.8-A2C, Ersetzt/Replaces/Remplace/Udskiftet/Sostituisce 190003820164



Ref	Onderdeelnummer	Kwt	Beschrijving
A	1-41-177-021	1	KABEL, , Siehe nächste Seite(n)/See next page(s)/Voir page(s) suivante(s)/Se næste side(r)/Vedere pagin(a/e) seguent(e/i)
B	1-41-177-022	2	KABEL, , Siehe nächste Seite(n)/See next page(s)/Voir page(s) suivante(s)/Se næste side(r)/Vedere pagin(a/e) seguent(e/i) - Ersetzt/Replaces/Remplace/Udskiftet/Sostituisce 1-41-177-023
C	1-41-177-024	1	KABEL, , Siehe nächste Seite(n)/See next page(s)/Voir page(s) suivante(s)/Se næste side(r)/Vedere pagin(a/e) seguent(e/i)
D	1-41-177-073	2	KABEL, , Siehe nächste Seite(n)/See next page(s)/Voir page(s) suivante(s)/Se næste side(r)/Vedere pagin(a/e) seguent(e/i)
E	1-41-177-074	1	KABEL, , Siehe nächste Seite(n)/See next page(s)/Voir page(s) suivante(s)/Se næste side(r)/Vedere pagin(a/e) seguent(e/i)
F	1-41-177-120	1	KABELBOOM, , ---->04340, Siehe nächste Seite(n)/See next page(s)/Voir page(s) suivante(s)/Se næste side(r)/Vedere pagin(a/e) seguent(e/i) - Ersetzt/Replaces/Remplace/Udskiftet/Sostituisce 1-41-177-020
G	1-41-177-122	1	KABELBOOM, , 04341---->05312, Siehe nächste Seite(n)/See next page(s)/Voir page(s) suivante(s)/Se næste side(r)/Vedere pagin(a/e) seguent(e/i)
H	1-41-177-125	1	KABELBOOM, , 05313 ---->10.1995, Siehe nächste Seite(n)/See next page(s)/Voir page(s) suivante(s)/Se næste side(r)/Vedere pagin(a/e) seguent(e/i)
J	1-41-177-525	1	KABELBOOM, , 11.1995 ---->, Siehe nächste Seite(n)/See next page(s)/Voir page(s) suivante(s)/Se næste side(r)/Vedere pagin(a/e) seguent(e/i)
1	1-40-158-604	1	SCHAKELAAR, , ( 0-1 ) Ersetzt/Replaces/Remplace/Udskiftet/Sostituisce 139900580066
2	139900580086	1	SYMBOLLEN,
3	169200580087	1	AANSLUITING,
4	3141107R1	1	LAMP, W5/1.2, 12V, 1.2W, Ersetzt/Replaces/Remplace/Udskiftet/Sostituisce 190003452250
5	135700710002	2	RAAM,
6	135700710003	X	HUIS, , 4-Polig / 4-pole / À 4 pôle / 4-polet / 4 polo
7	139900580021	X	DEKSEL,
8	1-40-758-024	2	RELAIS, , 40/60A ; Ersetzt / Replaces / Remplace / Udskiftet / Sostituisce 1-40-158-047, 139900580047
9	1-34-172-045	2	KOPLAMP, , ----> 09.1993 Für Rechtsverkehr besteht aus/For right-hand traffic consists of/Pour circulation a droite compose de/Til højrestyring bestående af/Anche per guida a destra è composto da 10 - 14
10	1-34-772-042	1	LENS/REFLEKTOR GROEP, , Ersetzt/Replaces/Remplace/Udskiftet/Sostituisce 1-34-772-026 + 1-34-772-027
11	1-34-772-028	1	MONTUUR, , Ersetzt/Replaces/Remplace/Udskiftet/Sostituisce 1-40-772-001
12	1-34-772-029	2	VEER, , Ersetzt/Replaces/Remplace/Udskiftet/Sostituisce 1-40-772-004
13	1-34-772-030	2	SCHROEF, , Ersetzt/Replaces/Remplace/Udskiftet/Sostituisce 1-40-772-005
14	1-34-772-011	1	STOFKAP, , Ersetzt/Replaces/Remplace/Udskiftet/Sostituisce 1-34-772-031 + 1-40-772-002 + 1-40-772-003
15	1-40-172-001	2	WERKLAMP, , 10.1993 ---->Für Rechtsverkehr besteht aus, ersetzt/For right-hand traffic consists of, replaces/Pour circulation a droite compose de, remplace/Til højrestyring bestående af, udskiftet/Anche per guida a destra è co 11, 12, 13, 14, 19, 22 // 1-40-772-006

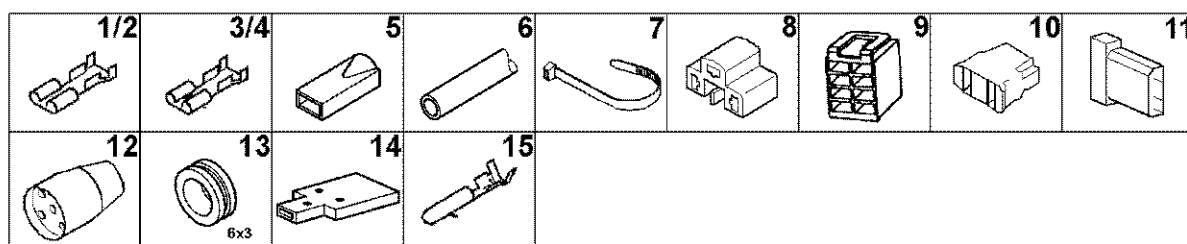
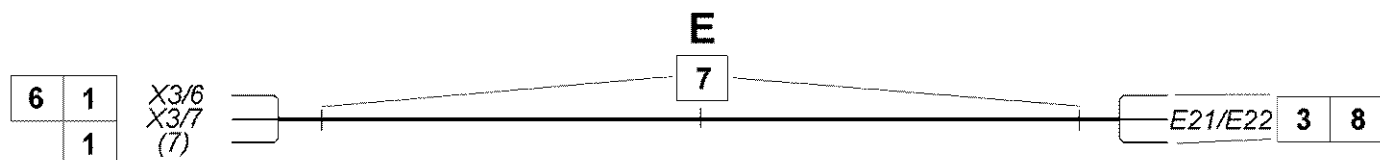
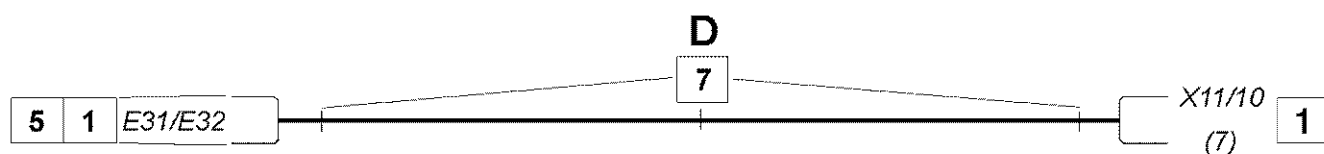
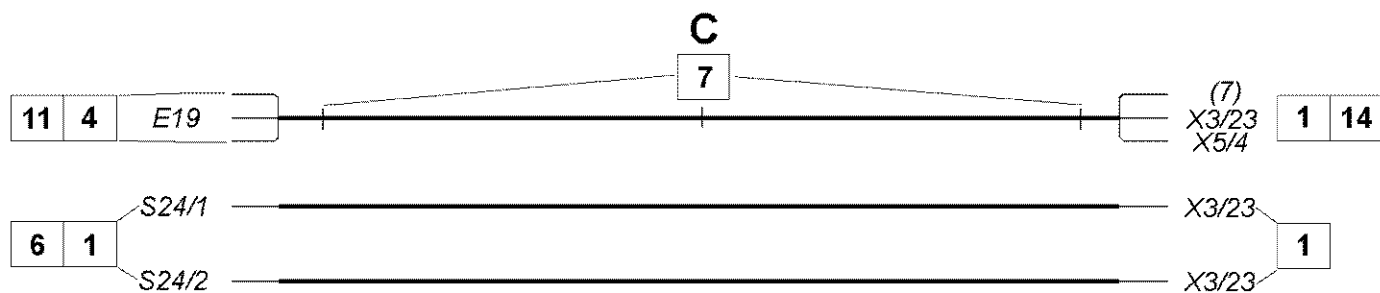
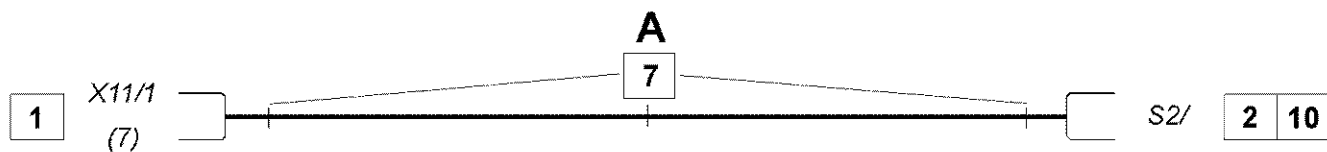
## 04-23(01) FRONT LIGHT - CAB

Ref	Onderdeelnummer	Kwt	Beschrijving
16	1-40-172-101	2	LAMP, , Für Linksverkehr ersetzt/For left hand traffic replaces/Pour circulation a gauche remplace /Til venstrestyring udskiftet/Anche per guida a sinistra sostituisce 1-40-772-010
17	1-40-172-006	2	KOPLAMP, , Für Rechtsverkehr + Positionslicht ersetzt/For right-hand traffic + position lamp replaces/Pour circulation a droite + lampe de posit remplace/Til højrestyring + positionslys udskiftet/Anche per guida a destra + luci di posizione sostituisce1-40-772-008
18	1-40-172-106	2	LENS VOOR KOPLAMP, , Für Linksverkehr+Positionslicht ersetzt/For left-hand traffic+position lamp replaces/Pour circulation a gauche+lampe de posit. remplace/Til venstrestyring+positionslys udskiftet/Anche per guida a sinistra+luci di posizione sostituisce 1-40-772-0111
19	1-41-277-008	1	RELAIS,
20	1-40-772-009	2	AANSLUITING,
21	190003452212	2	LAMP, , T4/4-12V/4W
22	91967C1	2	LAMP, , H4-12V60/55W, Ersetzt/Replaces/Remplace/Udskiftet/Sostituisce 1-40-772-007 + 190003450013
23	190003840039	4	SCHROEF, , St4,2x38-C-H-A3R
24	190003844618	4	SCHROEF, , St4,2x32-C-H-A3R
25	190003699574	4	MOER, , B4,2/11745-A3C
26	1-40-172-010	2	DEKSEL,
27	190003129042	2	KABELDOORGANG, , Q02 ; 6x3
28	190003171697	X	BEVESTIGINGSKLEM, , A5x180 / K02
29	179100770022	3	VERBINDING, , V03 ; 3-Polig / 3-pole / À 3 pôle / 3-polet / 3 polo
30	190003499650	6	KABELSCHOEN, , G01

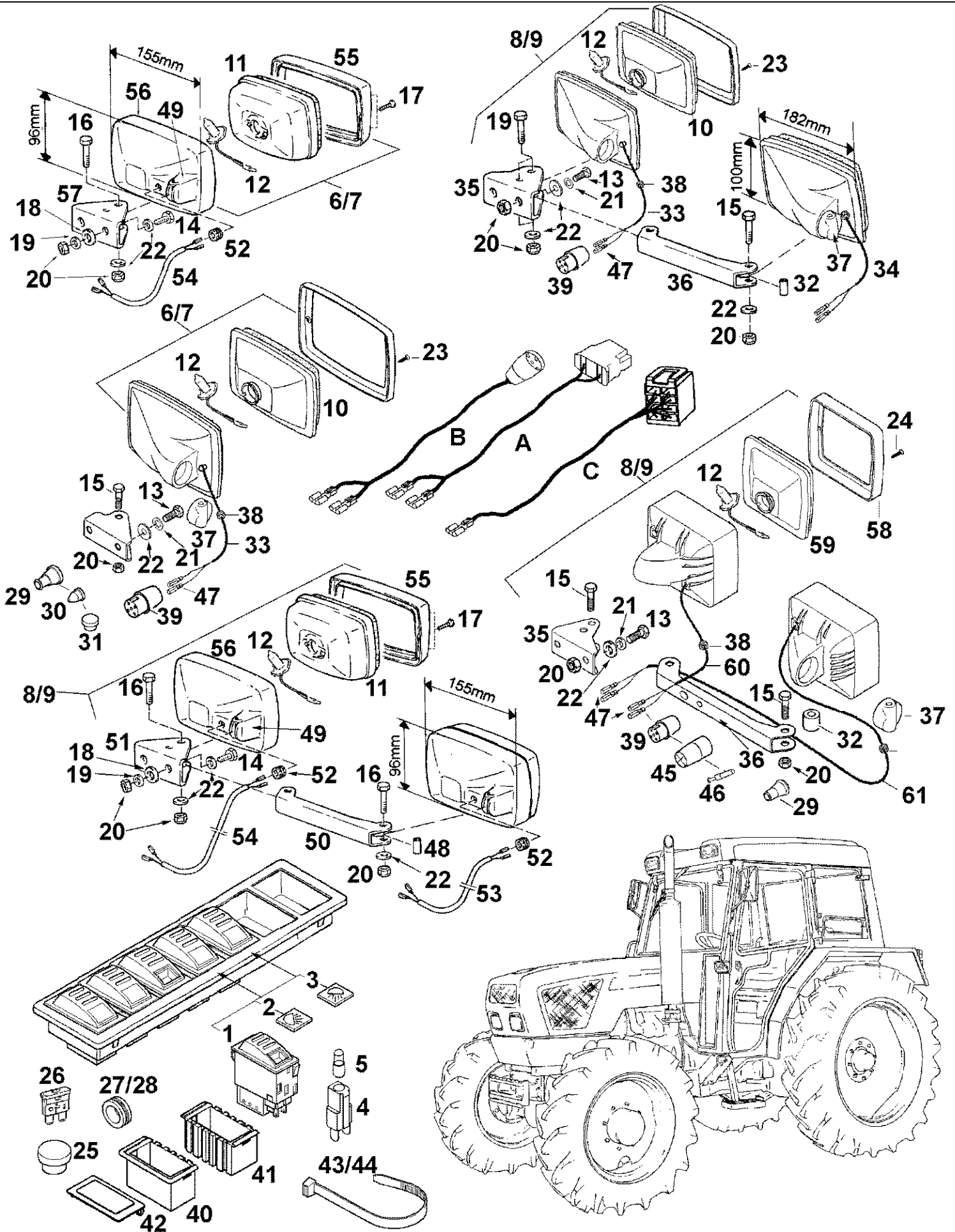




Ref	Onderdeelnummer	Kwt	Beschrijving
A	1-41-177-120	1	KABELBOOM, , ---->04340, Dach hoch ersetzt/Roof, high replaces/Toit-abri 'haut remplace/Høj tag udskiftet/Tetto alto sostituisce 1-41-177-020
B	1-41-177-122	1	KABELBOOM, , 04341---->05312
C	1-41-177-125	1	KABELBOOM, , 05313---->10.1995, Dach hoch-nieder/Roof, high-low/Toit-abri 'haut-bas/Høj tag-lav/Tetto alto-basso
D	1-41-177-525	1	KABELBOOM, , 11.1995.---->
1	179100770004	2	AANSLUITKLEM, , F04
2	190003499650	X	KABELSCHOEN, , G01
3	1880770005	X	KABELSCHOEN, , G03
4	190003499746	1	VERBINDING, , G06
5	179100770006	1	VERBINDING, , G17
6	179000770129	3	AANSLUITKLEM, , G19
7	1-40-277-036	19	VERBINDING, , G41
8	179100770001	1	PROFIEL, , J04
9	135700770206	3	ELECTRISCHE ISOLATIE, , J07 ; 1-Polig / 1-pole / À 1 pôle / 1-polet / 1 polo
10	190003171715	6	SPANHULS, , A2,5x100 / K01
11	199014770058	1	AANSLUITING, , M10 ; 2-Polig / 2-pole / À 2 pôle / 2-polet / 2 polo
12	139900580022	4	CONTACTDOOS, , M22 ; 8-Polig / 8-pole / À 8 pôle / 8-polet / 8 polo
13	179100770390	3	CONTACTDOOS, , M24 ; 5-Polig / 5-pole / À 5 pôle / 5-polet / 5 polo
14	1-40-177-009	1	CONTACTDOOS, , M88 ; 2-Polig / 2-pole / À 2 pôle / 2-polet / 2 polo
15	1-40-277-039	3	CONTACTDOOS, , M8Q ; 10-Polig / 10-pole / À 10 pôle / 10-polet / 10 polo
16	1-40-177-023	1	AANSLUITING, , M8X ; 5-Polig / 5-pole / À 5 pôle / 5-polet / 5 polo
17	199000770015	3	MEERV. POOLVERBINDINGSTU, , V02 ; 2-Polig / 2-pole / À 2 pôle / 2-polet / 2 polo
18	179100770022	2	VERBINDING, , V03 ; 3-Polig / 3-pole / À 3 pôle / 3-polet / 3 polo
19	169200770300	2	VERDELER, , V11 ; 11-Polig / 11-pole / À 11 pôle / 11-polet / 11 polo
20	169200770301	1	VERDELER, , V52 ; 5-Polig / 5-pole / À 5 pôle / 5-polet / 5 polo
21	133700770375	2	KABELSCHOEN, , X30
22	179100770268	1	CONTACTDOOS, , M04

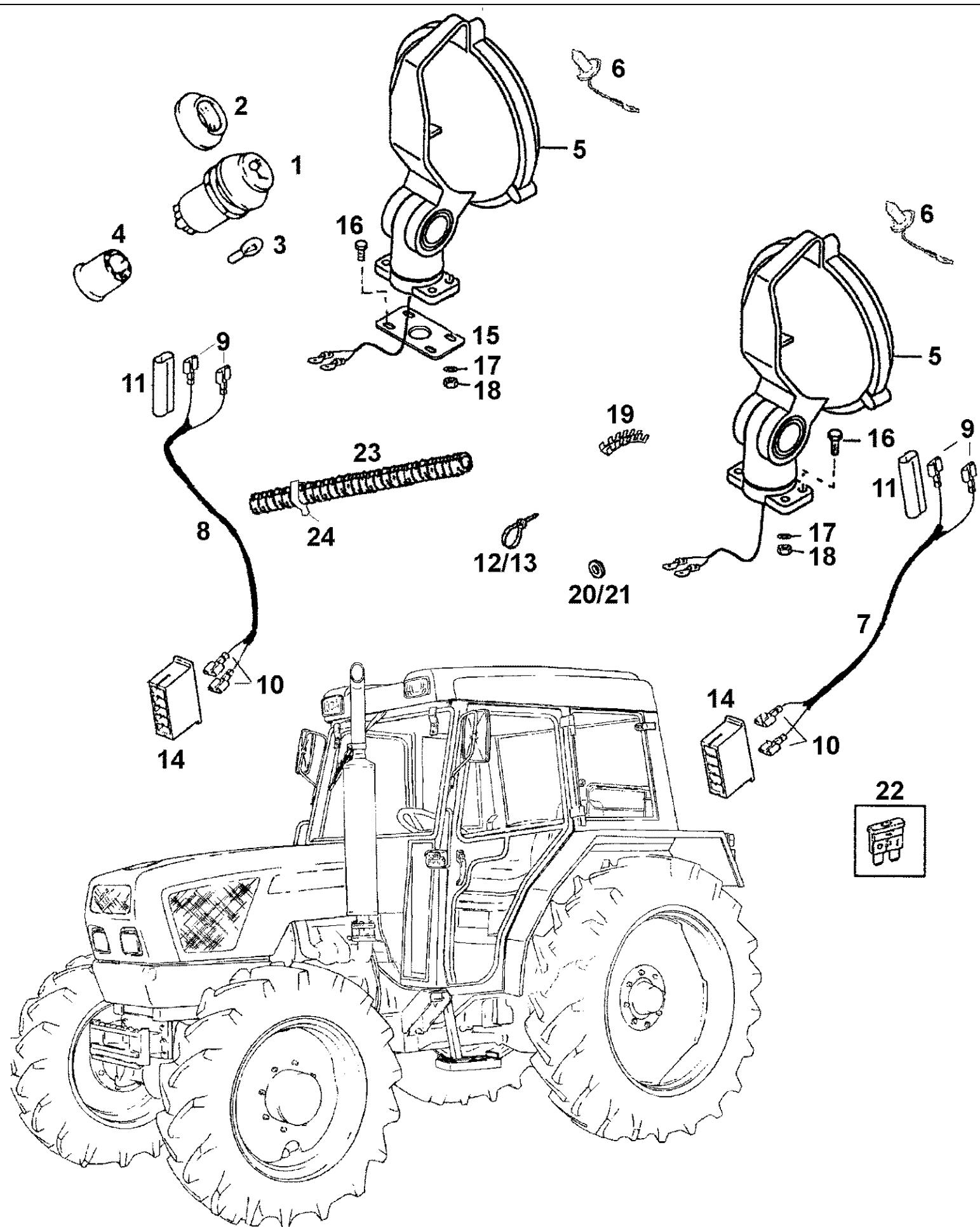


Ref	Onderdeelnummer	Kwt	Beschrijving
A	1-41-177-021	1	KABEL, , Beleuchtung Dachschalter/Lighting roof switch/Éclairage contacteur de toit/Belysning tagkontakt/Illuminazione tetto interruttore
B	1-41-177-022	1	KABEL, , Blinkbegrenzungsleuchte ersetzt / Flash position light replaces / Feu position de clignotant remplace / Blinkbegrænsningslygte udskiftet / Luce di posizione lampeggiante sostituisce 1-41-177-022
C	1-41-177-024	1	KABEL, , Innenleuchte + Türkontaktschalter / Interior lamp + door light swisch / Lampe intérieure + contacteur de porte commutateur / Kabinelygte + dørkontakt schalter / Luce interna + contatto porta interruttore
D	1-41-177-073	1	KABEL, , Ersatzscheinwerfer + Positionsleuchte / Spare headlight(s) + position light / Phare(s) de secoure + feu-position / Udskiftningslyskaster + positionslygte / Proiettore di riserva + luce di posizione
E	1-41-177-074	1	KABEL, , Dachersatzscheinwerfer / Roof spare headlight(s) / Phare(s) de secoure de toit / Reservetaglygte / Faro/i di riserva del tetto
F	1-41-177-075	1	KABEL, , Arbeitsscheinwerfer/Working light/Phare de travail/Arbejdslygte/Proiettori di lavoro
G	1-41-177-076	1	KABEL, , Dachscheinwerferschalter Versorgung / Switch roof-headlight supply / Contacteur phare de toit alimentation / Kontakt til taglygte forsyning / Interruttore per il faro del tetto alimentazione
1	190003499650	X	KABELSCHOEN, , G01
2	1880770005	2	KABELSCHOEN, , G03
3	179000770080	3	LAGERBUS, , G10
4	179000770129	3	AANSLUITKLEM, , G19
5	135700770206	1	ELECTRISCHE ISOLATIE, , J07 ; 1-Polig / 1-pole / À 1 pôle / 1-polet / 1 polo
6	169200770198	3	FLEXIBELE BUIS, , J10
7	190003171715	10	SPANHULS, , A2,5x100 / K01
8	199000720006	1	LAGERBUS, , M21 ; 3-Polig / 3-pole / À 3 pôle / 3-polet / 3 polo
9	139900580022	1	CONTACTDOOS, , M22 ; 8-Polig / 8-pole / À 8 pôle / 8-polet / 8 polo
10	139900580183	1	CONTACTDOOS, , M82
11	1-40-177-017	1	AANSLUITING, , M89 ; 3,-Polig / 3-pole / À 3 pôle / 3-polet / 3 polo
12	1-40-277-004	1	AANSLUITING, , N4B ; 4-Polig / 4-pole / À 4 pôle / 4-polet / 4 polo
13	190003129042	1	KABELDOORGANG, , Q02 ; 6x3
14	179100770022	1	VERBINDING, , V03 ; 3-Polig / 3-pole / À 3 pôle / 3-polet / 3 polo
15	1-40-277-034	2	PEN, , X32



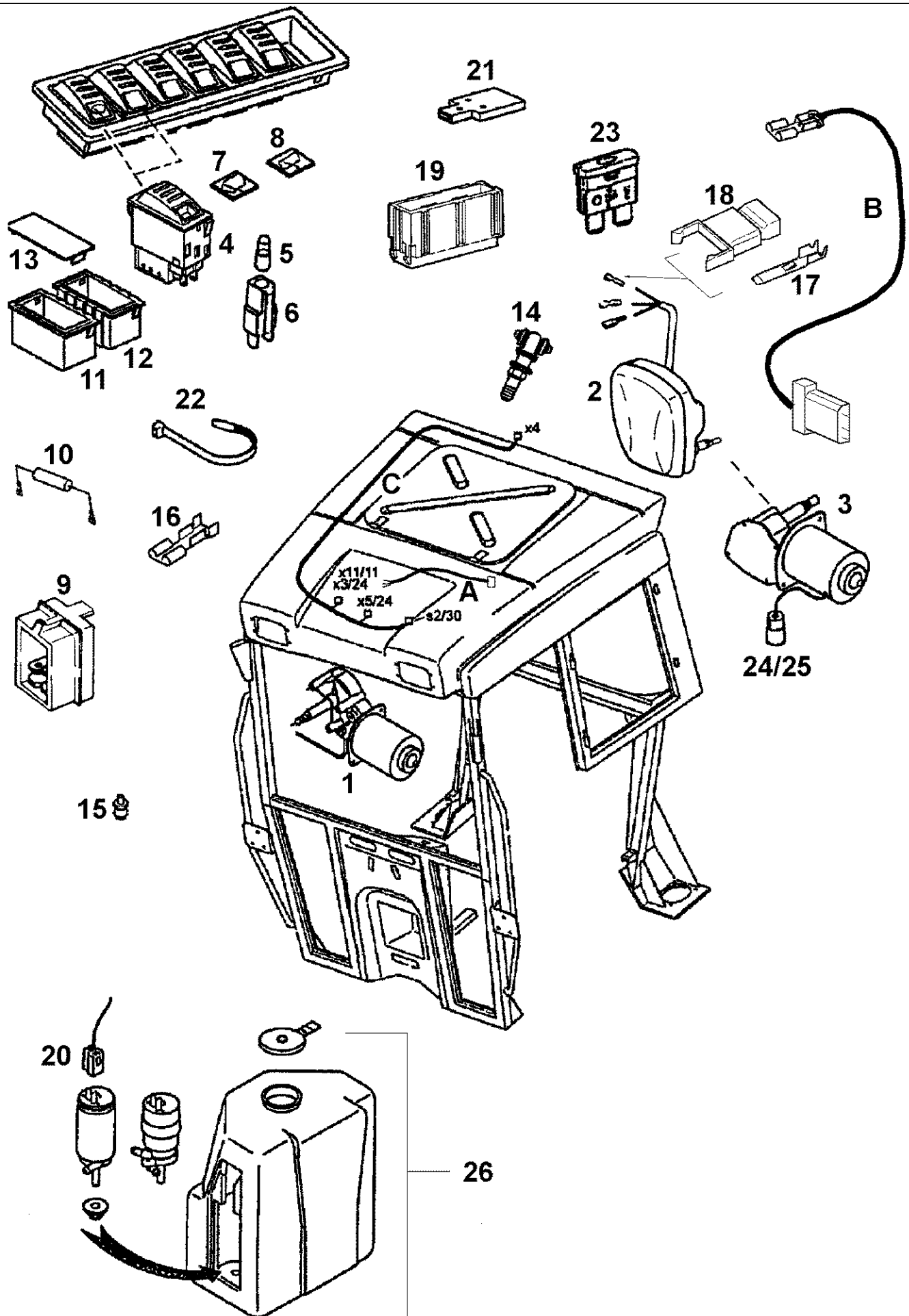
Ref	Onderdeelnummer	Kwt	Beschrijving
A	1-41-177-021	1	KABEL, , Siehe Seite(n) vorne/See page(s) before/Voir page(s) avant(es)/Se side(r) forrest/Vedere pagin(a/e) precedent(e/i)
B	1-41-177-075	2/4	KABEL, , Siehe Seite(n) vorne/See page(s) before/Voir page(s) avant(es)/Se side(r) forrest/Vedere pagin(a/e) precedent(e/i)
C	1-41-177-076	1/2	KABEL, , Siehe Seite(n) vorne/See page(s) before/Voir page(s) avant(es)/Se side(r) forrest/Vedere pagin(a/e) precedent(e/i)
1	1-40-158-604	1/2	SCHAKELAAR, , ( 0-1 ), Ersetzt/Replaces/Remplace/Udskiftet/Sostituisce 139900580066
2	139900580146	1	SYMBOLLEN,
3	139900580081	1	SYMBOLLEN,
4	169200580087	1	AANSLUITING,
5	3141107R1	1	LAMP, W5/1.2, 12V, 1.2W, Ersetzt/Replaces/Remplace/Udskiftet/Sostituisce 190003452250
6	1-40-179-002	1	WERKLAMP, , 09.1993 ---->,Links ersetzt/Left replaces/Gauche remplace/Venstre udskiftet/Sinistro sostituisce 1-34-572-002
7	1-40-179-003	1	WERKLAMP, , 09.1993 ---->,Rechts ersetzt/Right replaces/Droite remplace/Højre udskiftet/Destra sostituisce 1-34-572-003
8	1-40-172-014	1/2	WERKLAMP, , 06195 ---->,Links ersetzt/Left replaces/Gauche remplace/Venstre udskiftet/Sinistro sostituisce 1-34-572-004 + 1-40-179-004
9	1-40-172-015	1/2	WERKLAMP, , 06195 ---->, Rechts ersetzt/Right replaces/Droite remplace/Højre udskiftet/Destra sostituisce 1-34-572-005 + 1-40-179-005
10	1-40-779-003	1	TRANSPARENTE, , .....---->
11	1-34-772-713	1	REFLECTOR, LAMP, , ---->.....
12	1312210C2	2/4	LAMP, , H3-12V55W, Ersetzt/Replaces/Remplace/Udskiftet/Sostituisce 1-34-772-720 + 19000345224
13	16043224	4	BOUT, Hex, M8 x 16, 8.8, Full Thd,
14	120104	2	BOUT, Hex, M8 x 20, 8.8, Ersetzt/Replaces/Remplace/Udskiftet/Sostituisce1-34-772-718
15	814-8050	X	BOUT, Hex, M8 x 50, 8.8, , M8x50-DIN 931, Ersetzt/Replaces/Remplace/Udskiftet/Sostituisce190003800459
16	190003800441	1	SCHROEF, , M8x45-8.8-A2C Ersetzt/Replaces/Remplace/Udskiftet/Sostituisce 1-34-772-702
17	1-34-772-705	2/4	SCHROEF, , ---->....., St 4,0x20
18	1-34-772-716	1/3	SCHIJF, , ---->.....
19	1-34-772-717	1	SCHIJF, , ---->.....
20	190003888451	2/3	MOER, , VM8-8-A-2C, Ersetzt/Replaces/Remplace/Udskiftet/Sostituisce 1-34-772-704
21	896-11008	6	SLUITRING, M8 x 17.5 x 2, HT, , 9x17x2mm Ersetzt/Replaces/Remplace/Udskiftet/Sostituisce190003930261
22	190003936103	2	SLUITRING, , 8,4-140HV-A3C-DIN9021 ; Ersetzt/Replaces/Remplace/Udskiftet/Sostituisce 1-34-772-706
23	206071751506	4/8	SCHROEF, , 4,2x22
24	190003840039	4/8	SCHROEF, St 4,2x38
25	190003170426	2	PLUG, , 19,5x30
26	1-40-258-120	1	ZEKERING, , 20A
27	190003120122	2	KABELDOORGANG, , Q06 ; 10X3 ; ---->08.1993
28	190003129042	2	KABELDOORGANG, , Q02 ; 6x3 ; 09.1993 ---->

Ref	Onderdeelnummer	Kwt	Beschrijving
29	1-40-277-120	2	KABELDOORGANG, , Q48
30	1-40-277-121	2	AFSCHERMKAP,
31	190003179427	X	PLUG, , A11,7x7
32	299815A1	2	AFSTANDSRING, , 06195 ---->
33	1-40-779-004	1/2	KABEL, , 09.1993 ---->
34	1-40-779-005	1	KABEL,
35	1-40-779-006	1	STEUNBEUGEL,
36	1-40-779-007	2	ANKER,
37	1-40-779-008	1	STEUNBEUGEL,
38	299807A1	4	KABELDOORGANG, , 06195 ---->
39	1-40-277-003	1	AANSLUITING, , M8E ; 4-Polig / 4-pole / À 4 pôle / 4-polet / 4 polo
40	135700710002	2	RAAM,
41	135700710003	5	HUIS, , 4-Polig / 4-pole / À 4 pôle / 4-polet / 4 polo
42	139900580021	X	DEKSEL,
43	190003171697	X	BEVESTIGINGSKLEM, , A5x180 / K02
44	190003171715	X	SPANHULS, , A2,5x100 / K01
45	1-40-277-004	1	AANSLUITING, , N4B ; 4-Polig / 4-pole / À 4 pôle / 4-polet / 4 polo
46	1-40-277-034	2	PEN, , X32
47	1-40-277-035	2	KABELSCHOEN, , X33
48	1-34-772-701	1	AFSTANDSRING, , ---->08.1993,
49	1-34-772-703	1/2	DRAAIGEWRIJCHT, , ---->08.1993,
50	1-34-772-707	1	ARM, , ---->08.1993,
51	1-34-772-708	1	GUIDE, LEVERS, , ---->08.1993,
52	1-34-772-709	1	KABELDOORGANG, , ---->08.1993,
53	1-34-772-711	1	KABEL, , ---->08.1993,
54	1-34-772-712	1	KABEL, , ---->08.1993,
55	1-34-772-714	1	RAAM, , ---->08.1993,
56	1-34-772-715	1	HUIS, , ---->08.1993,
57	1-34-772-719	1	GUIDE, LEVERS, , ---->08.1993,
58	299809A1	1	DEKSEL, , 06195 ---->
59	299810A1	1	TRANSPARENTE, , 06195 ---->
60	299813A1	1	ZIJRELING, , 06195 ---->
61	299814A1	1	ZIJRELING, , 06195 ---->

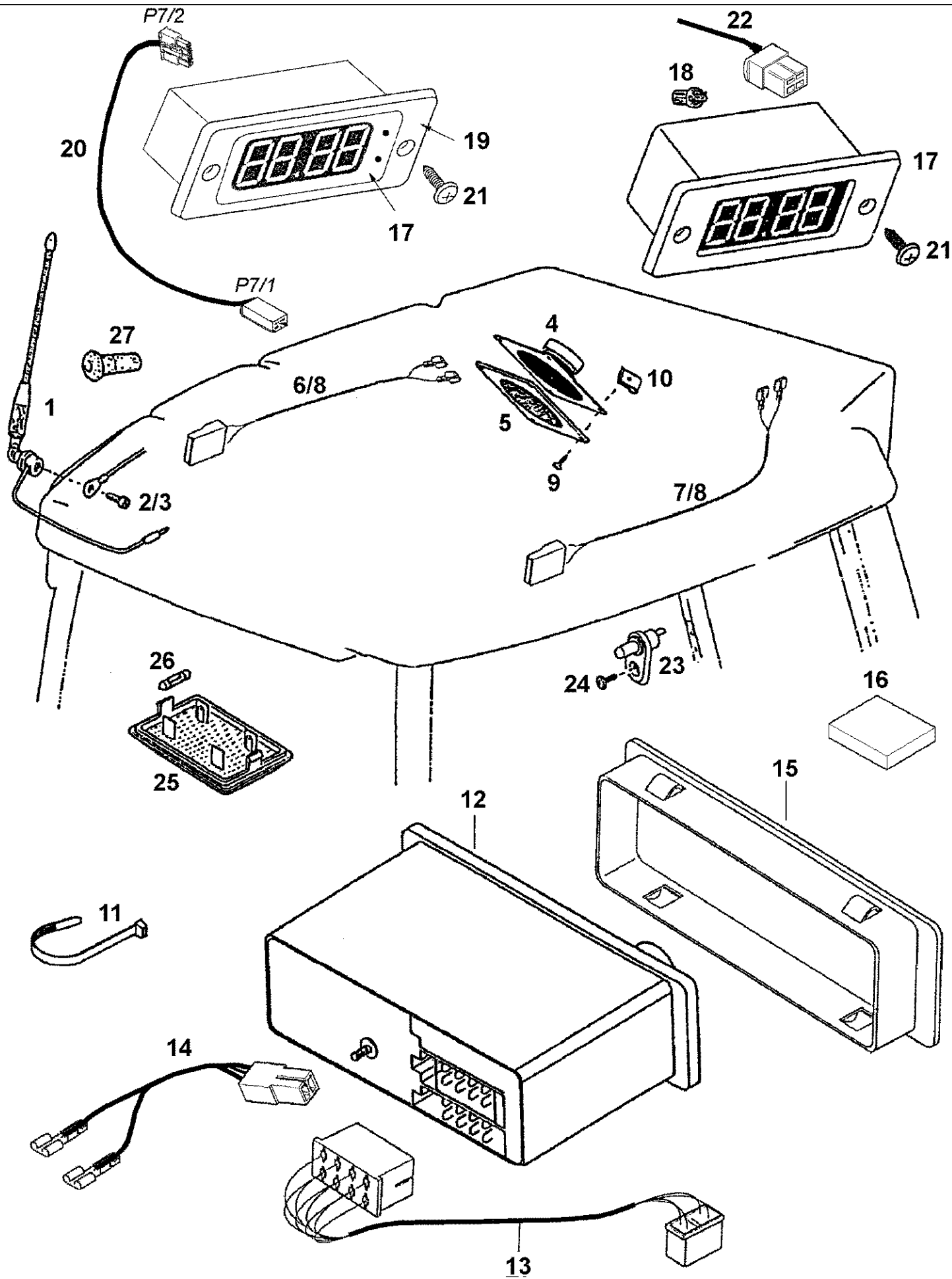


Ref	Onderdeelnummer	Kwt	Beschrijving
1	133700580008	1	SCHAKELAAR,
2	133700580701	1	BESCHERMDEKSEL,
3	3141107R1	1	LAMP, W5/1.2, 12V, 1.2W, Ersetzt/Replaces/Remplace/Udskiftet/Sostituisce 190003452250
4	133700580024	1	CONTACTDOOS, , M44
5	1-34-172-026	1/2	WERKLAMP,
6	1312210C2	1	LAMP, , H3-12V55W, Ersetzt/Replaces/Remplace/Udskiftet/Sostituisce 190003452243
7	1-41-177-084	1	KABEL, , Links/Left/Gauche/Venstre/Sinistro
8	1-41-177-085	1	KABEL, , Rechts/Right/Droite/Højre/Destra
9	190003499650	2/4	KABELSCHOEN, , G01
10	1880770005	2/4	KABELSCHOEN, , G03
11	179100770001	1/2	PROFIEL, , J04
12	190003171715	2/4	SPANHULS, , A2,5x100 / K01
13	190003171697	X	BEVESTIGINGSKLEM, , A5x180 / K02
14	179100770390	1/2	CONTACTDOOS, , M24 ; 5-Polig / 5-pole / À 5 pôle / 5-polet / 5 polo
15	1-34-525-105	1/2	COVER, PROTECTIVE,
16	120100	4/8	BOUT, Hex, M6 x 20, 8.8,
17	190003932612	4/8	SCHIJF, , R6,6-100HV-A3C
18	15896221	4/8	MOER, M6, CI 10, , M6-8-A2C, DIN934
19	190003179028	X	AFSCHERMING,
20	190003129006	1/2	KABELDOORGANG, , Q01 ; 6x1
21	190003129042	1/2	KABELDOORGANG, , Q02 ; 6x3
22	1-40-258-115	1	ZEKERING, , 15A
23		X	, Kabelschutzsystem siehe Seite(n) vorne/Cable protection system see page(s) before/Câblesystème à protection voir page(s) avant(es)/Beskyttelsessystem til kabel se side(r) forrest/Sistema di protezione dei cavi vedere pagin(a/e) precedent(e/i)
24		X	, Y50 Kabelschutzsystem siehe Seite(n) vorne/Cable protection system see page(s) before/Câblesystème à protection voir page(s) avant(es)/Beskyttelsessystem til kabel se side(r) forrest/Sistema di protezione dei cavi vedere pagin(a/e) precedent(e/i)



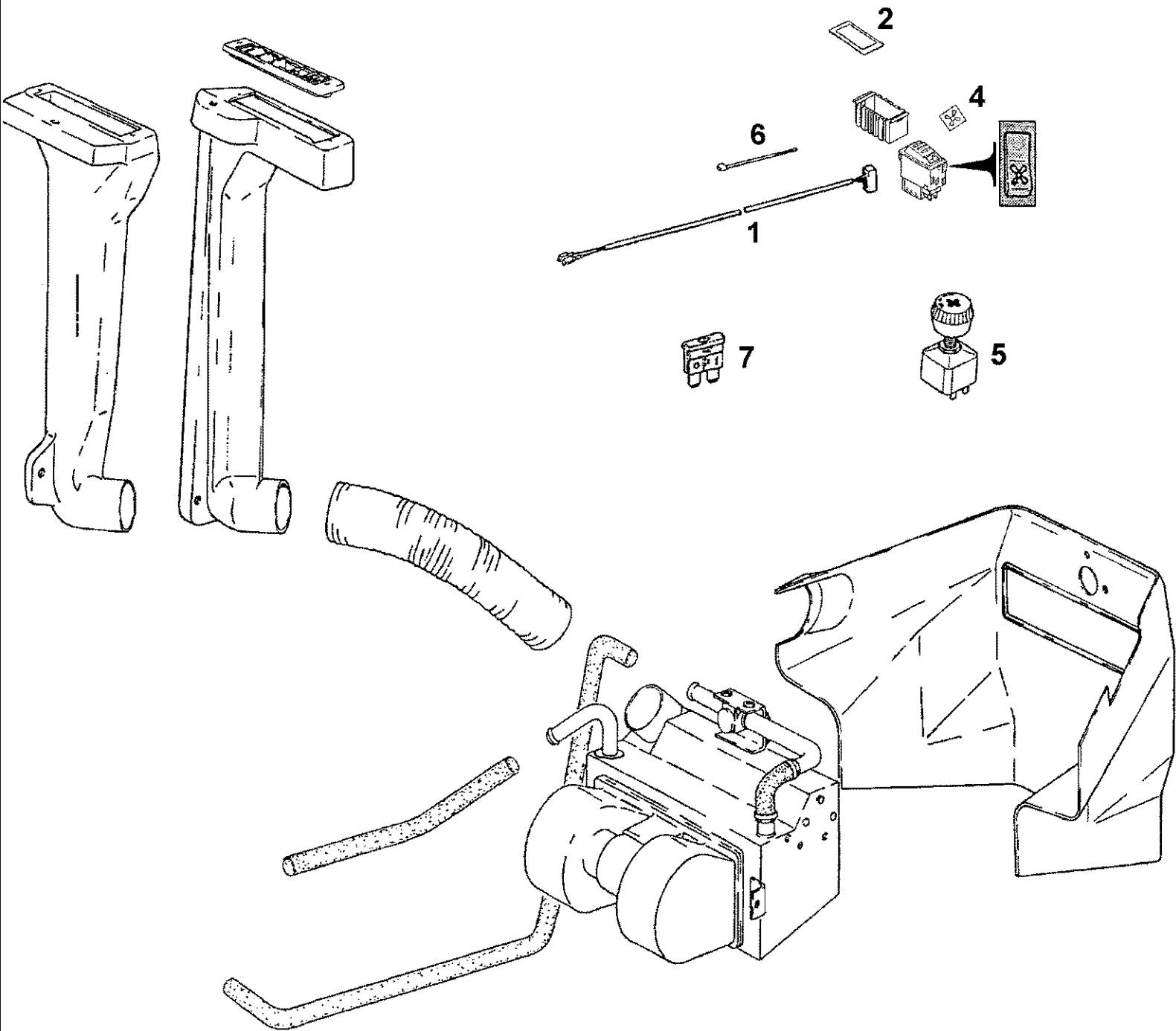


Ref	Onderdeelnummer	Kwt	Beschrijving
A	1-41-177-021	1	KABEL, , Siehe Seite(n) vorne/See page(s) before/Voir page(s) avant(es)/Se side(r) forrest/Vedere pagin(a/e) precedent(e/i)
B	1-41-177-071	1	KABEL, , ----> 05312, Siehe nächste Seite(n)/See next page(s)/Voir page(s) suivante(s)/Se næste side(r)/Vedere pagin(a/e) sequent(e/i)
C	1-41-177-671	1	HARNESS, , 05313---->, Siehe nächste Seite(n)/See next page(s)/Voir page(s) suivante(s)/Se næste side(r)/Vedere pagin(a/e) sequent(e/i) 1-41-177-171
1	1-34-574-015	1	MOTOR, RUITENWISSER, , Ersetzt/Replaces/Remplace/Udskiftet/Sostituisce 1-34-574-004
2	1-34-174-070	1	MOTOR, RUITENWISSER, , ---->05312,
3	1-34-674-004	1	MOTOR, RUITENWISSER, , 05313 ---->, Ersetzt/Replaces/Remplace/Udskiftet/Sostituisce 1-34-574-001
4	1-40-158-603	1/2	SCHAKELAAR, , ( 0-1<2 ) ; Ersetzt / Replaces / Remplace / Udskiftet / Sostituisce 139900580109
5	3141107R1	1	LAMP, W5/1.2, 12V, 1.2W,
6	169200580087	1	AANSLUITING,
7	139900580089	1	SYMBOLLEN,
8	139900580080	1	SYMBOLLEN,
9	135700580058	1	ELEMENT, JOINING,
10	179100580130	1	AFSCHERMING, , 220 Ohm
11	135700710002	2	RAAM,
12	135700710003	5	HUIS, , 4-Polig / 4-pole / À 4 pôle / 4-polet / 4 polo
13	139900580021	6	DEKSEL,
14	1-34-586-003	1	SPROEIER,
15	115020770005	1	SPROEIER,
16	190003499650	2	KABELSCHOEN, , G01
17	1-40-177-020	5	VERBINDING, , F20
18	1-40-177-019	1/2	CONTACTDOOS, , N47
19	169200770301	1	VERDELER, , V52 ; 5-Polig / 5-pole / À 5 pôle / 5-polet / 5 polo
20	199014770058	1	AANSLUITING, , M10 ; 2-Polig / 2-pole / À 2 pôle / 2-polet / 2 polo
21	179100770022	1	VERBINDING, , V03 ; 3-Polig / 3-pole / À 3 pôle / 3-polet / 3 polo
22	190003171697	X	BEVESTIGINGSKLEM, , A5x180 / K02
23	1-40-258-115	1	ZEKERING, , 15A
24	1-40-277-034	4	PEN, , X32
25	1-40-277-004	1	AANSLUITING, , N4B ; 4-Polig / 4-pole / À 4 pôle / 4-polet / 4 polo
26			, Siehe Kapitel 9B/See chapter 9B/Voir chapitre 9B/Se kapitel 9B/Vedere capitolo 9B

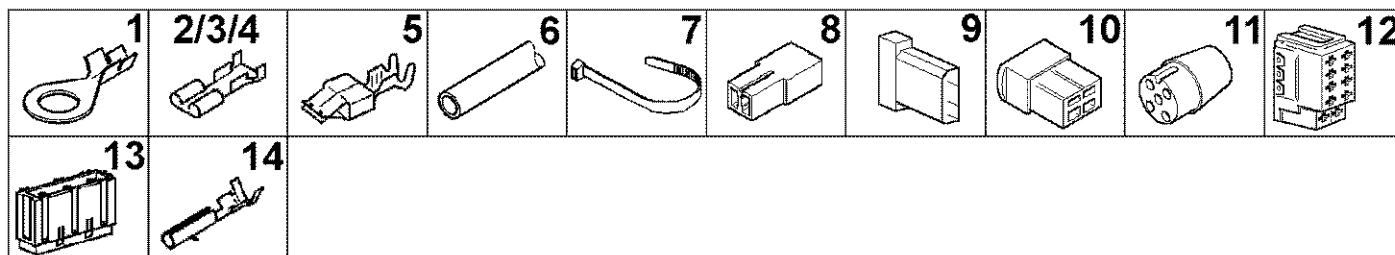
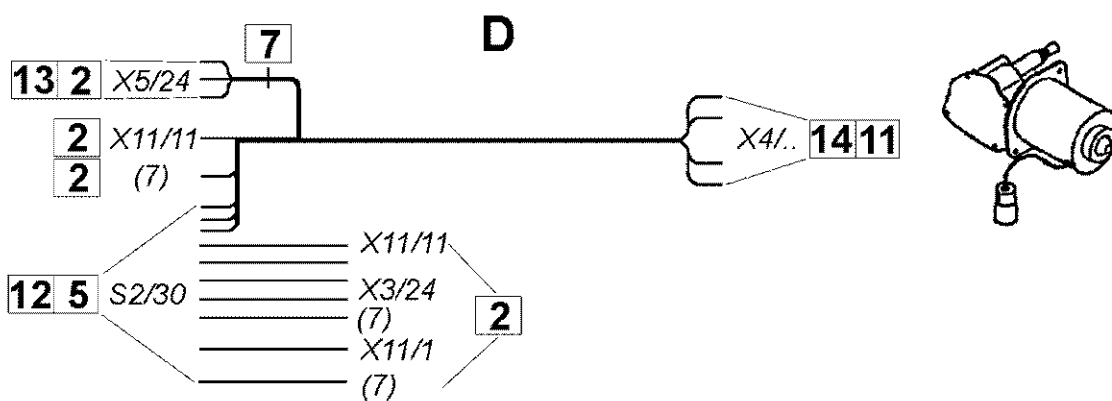
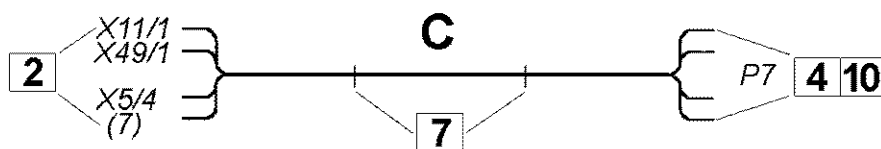
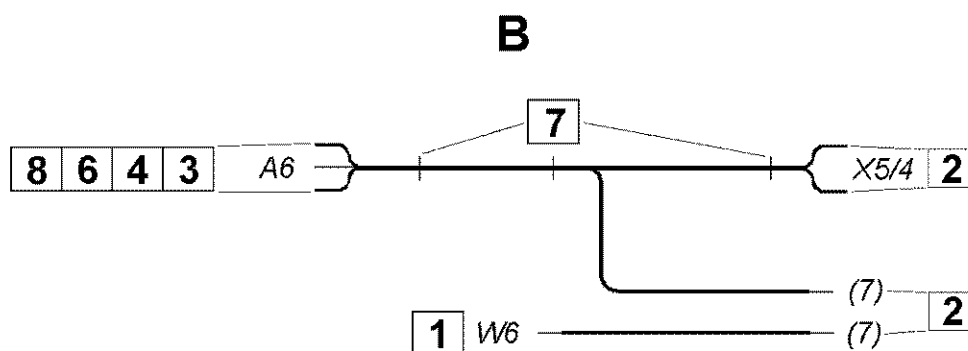
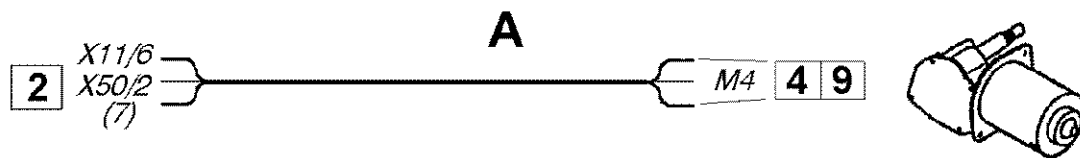


## 04-29(01) RADIO, SPEAKERS AND ANTENNA

Ref	Onderdeelnummer	Kwt	Beschrijving
1	1-40-181-003	1	ANTENNE, , Ersetzt/Replaces/Remplace/Udskiftet/Sostituisce 179100780033
2	190003800226	1	SCHROEF, , SK.M5x25-8.8-A2C ---->....
3	190003862232	1	SCHROEF, , M5x30-8.8-A2C, DIN912; ....---->
4	1-40-281-023	2	LUIDSPREKER, , 20W40hm, Ersetzt/Replaces/Remplace/Udskiftet/Sostituisce 179100780020 + 179100780040
5	1-40-281-125	2	ZEEF, , Ersetzt/Replaces/Remplace/Udskiftet/Sostituisce 179100780035
6	179100780036	1	KABEL, , L=1500mm, ----> 11.1993
7	1-40-181-002	1	KABEL, , L=2500mm, 02.1992 ----> 11.1993
8	1-40-181-006	1/2	KABEL, , L=4500mm, 12.1993 ---->
9	190003840010	8	SCHROEF, , BL. St4,2x22-C-H-A3R-DIN7981
10	190003699574	8	MOER, , B4,2/11745-A3C
11	190003171697	5	BEVESTIGINGSKLEM, , A5x180 / K02
12	1-40-181-018	1	RADIO, , Ersetzt/Replaces/Remplace/Udskiftet/Sostituisce 1-40-181-007 + 1-40-181-008
13	1-40-177-021	1	KABELBOOM,
14	1-41-177-177	1	KABEL, , Siehe nächste Seite(n) ersetzt/See next page(s) replaces/Voir page(s) suivante(s) remplace/Se næste side(r) udskiftet/Vedere pagin(a/e) sequent(e/i) sostituisce 1-41-177-077
15	1-40-181-015	1	AFSCHERMING, , Ersetzt/Replaces/Remplace/Udskiftet/Sostituisce 1-40-181-014
16	133700550138	1	BASIS, , 40x40
17	1-40-758-103	1	TIME-WATCH, , Ersetzt/Replaces/Remplace/Udskiftet/Sostituisce 1-40-158-003 + 1-40-158-103 , Verwendet mit Position 20, 21/Used with position 20, 21/Utilisé avec position 20, 21/Brugt med position 20, 21/Utilizzato con posizione 20, 21
18	190003450031	1	LAMP, , Ersetzt/Replaces/Remplace/Udskiftet/Sostituisce 1-40-758-001
19	1-41-171-071	1	RAAM,
20	1-41-577-528	1	KABEL,
21	190003844712	2	ZELFTAPPENDE SCHROEF, Cross Csk Hd, M3.5 x 19, , St3,5x19-C-H-A3R
22	1-41-177-178	1	KABEL, , Siehe nächste Seite(n) ersetzt/See next page(s) replaces/Voir page(s) suivante(s) remplace/Se næste side(r) udskiftet/Vedere pagin(a/e) sequent(e/i) sostituisce 1-41-177-078
23	116000720020	2	DEURSCHAKELAAR,
24	190003843106	2	SCHROEF, , St. 4,2x9,5
25	1-40-181-001	1	TRANSPARENTE,
26	E35556	1	LAMP, , K-12V10W, Ersetzt/Replaces/Remplace/Udskiftet/Sostituisce 190003452280
27	1-40-277-120	1,	KABELDOORGANG, , Q48



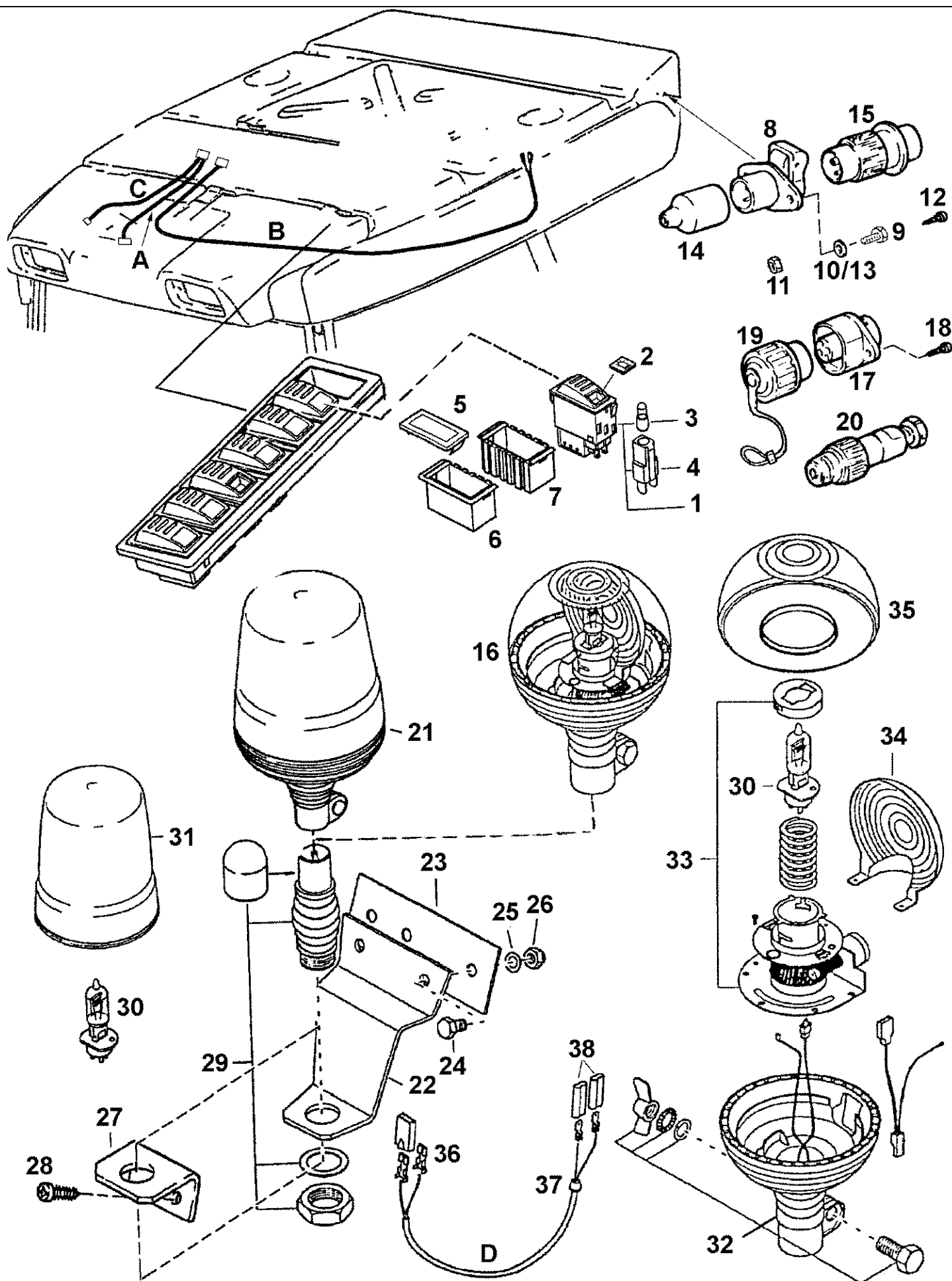
Ref	Onderdeelnummer	Kwt	Beschrijving
1	1-41-177-021	1	KABEL, , Beleuchtung Dachschalter/Lighting roof switch/Éclairage contacteur de toit/Belysning tagkontakt/Illuminazione tettointerruttore
2	139900580021	1	DEKSEL,
3	1-40-158-614	1	SCHAKELAAR, , ( 0-1-2 ) ----> ....., Ersetzt/Replaces/Remplace/Udskiftet/Sostituisce 139900580104
4	139900580087	1	SYMBOLLEN, , ---->....
5	1-40-158-006	1	SCHAKELAAR MET HEFBOOM, , ....---->
6	190003171715	3	SPANHULS, , A2,5x100 / K01
7	1-40-258-115	1	ZEKERING, , 15A



## 04-31(01) VARIOUS ELECTRIC CABLES

Ref	Onderdeelnummer	Kwt	Beschrijving
A	1-41-177-071	1	KABEL, , ---->05312, Heckscheibenwischer/Rear window wiper/Essuie glace arriere/Bagrudevisker/Tergilunotto
B	1-41-177-177	1	KABEL, , Radiostromversorgung / Radio power supply / Alimentation en courant radio / Radiostromforsyning / Alimentazione elettrica per la radio
C	1-41-177-178	1	KABEL, , Digital Uhr/Digital clock/Montre digital/Digital ur/Orologio digitale
D	1-41-177-671	1	HARNESS, , 05313---->, Heckscheibenwischer/Rear window wiper/Essuie glace arriere/Bagrudevisker/Tergilunotto
1	169200770245	1	KABELSCHOEN, , A05
2	190003499650	X	KABELSCHOEN, , G01
3	1880770005	3	KABELSCHOEN, , G03
4	179000770129	4	AANSLUITKLEM, , G19
5	1-40-277-036	10	VERBINDING, , G41
6	169200770198	1	FLEXIBELE BUIS, , J10
7	190003171715	6	SPANHULS, , A2,5x100 / K01
8	199114770272	1	AANSLUITING, , M55
9	1-40-177-017	1	AANSLUITING, , M89 ; 3,-Polig / 3-pole / À 3 pôle / 3-polet / 3 polo
10	1-40-177-018	1	CONTACTDOOS, , M8A
11	1-40-277-003	1	AANSLUITING, , M8E ; 4-Polig / 4-pole / À 4 pôle / 4-polet / 4 polo
12	1-40-277-039	1	CONTACTDOOS, , M8Q ; 10-Polig / 10-pole / À 10 pôle / 10-polet / 10 polo
13	169200770301	1	VERDELER, , V52 ; 5-Polig / 5-pole / À 5 pôle / 5-polet / 5 polo
14	1-40-277-035	4	KABELSCHOEN, , X33



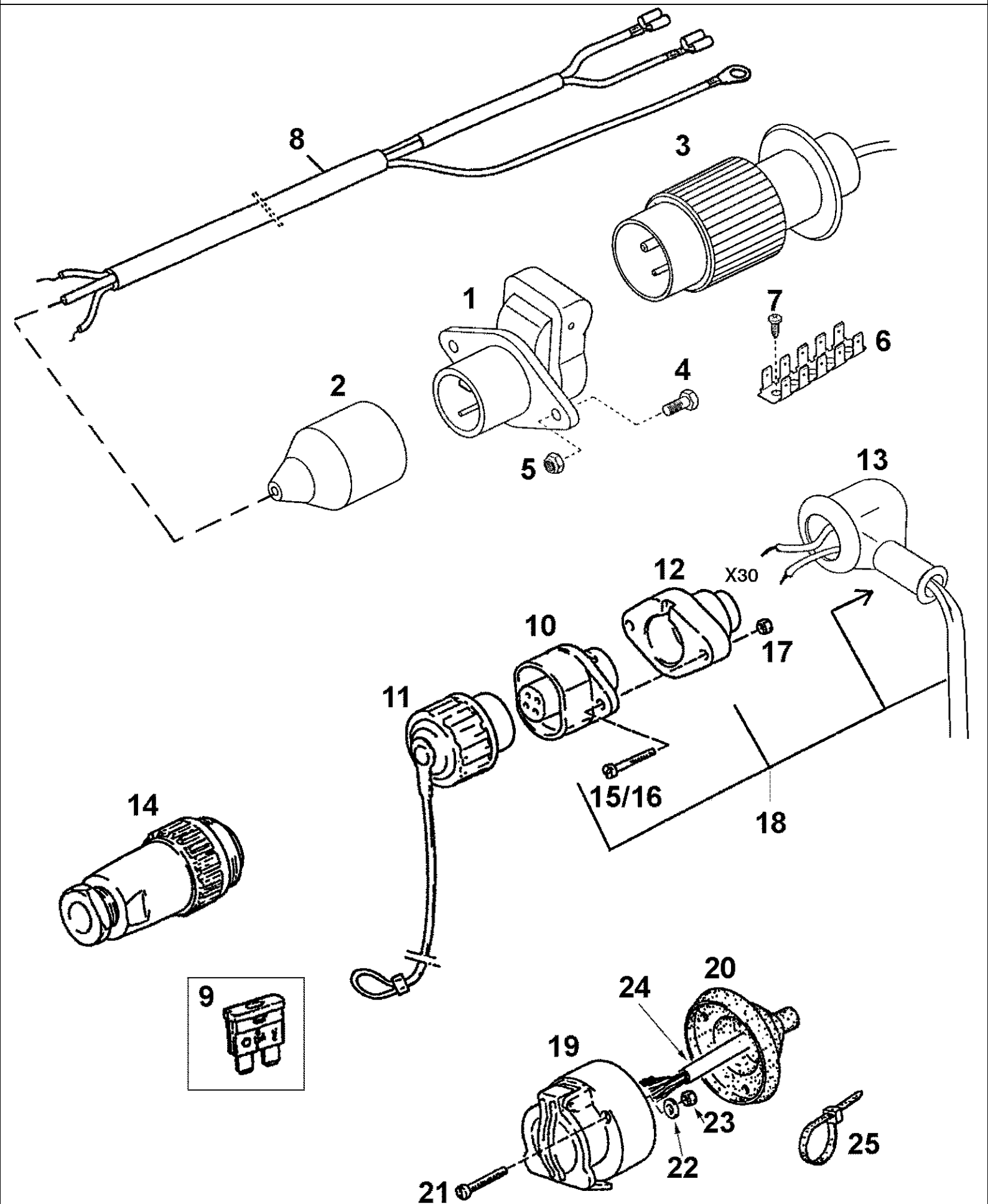


## 04-32(01) ROTATING BEACON

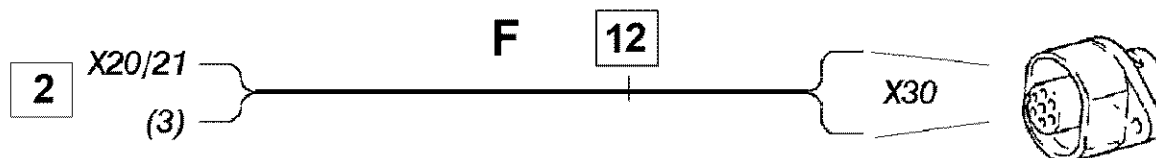
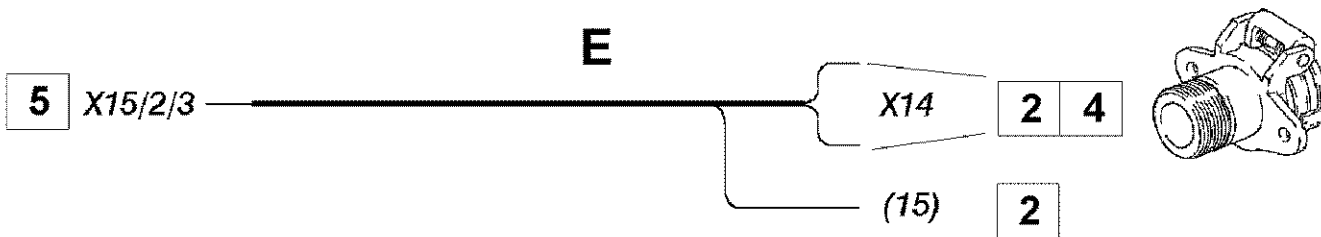
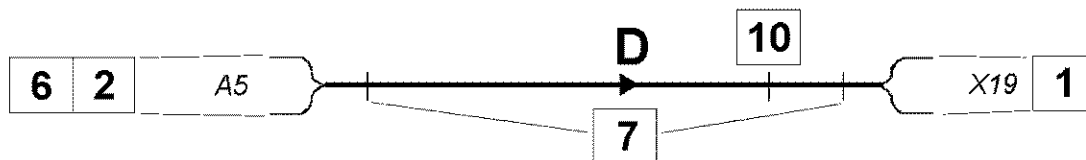
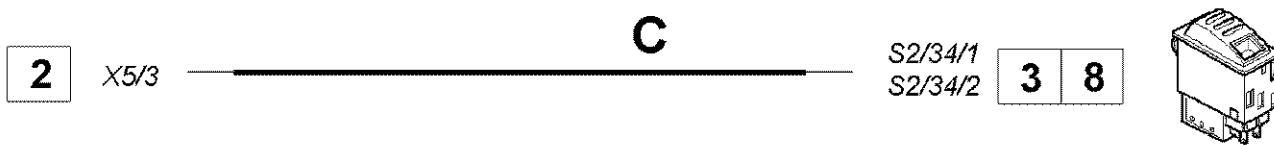
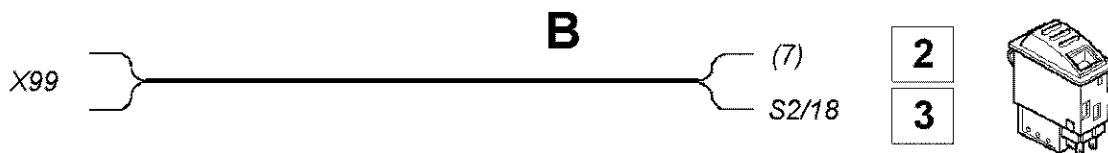
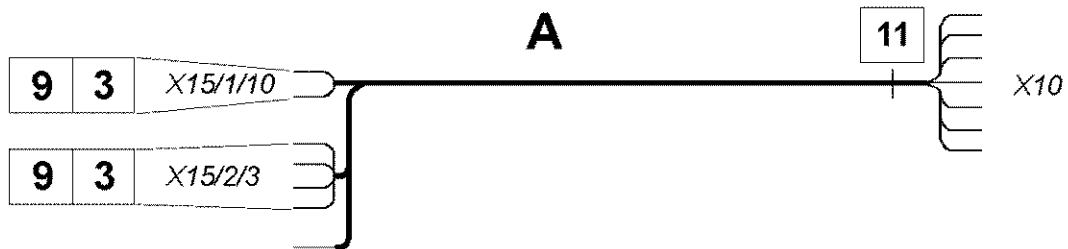
Ref	Onderdeelnummer	Kwt	Beschrijving
A	1-41-177-021	1	KABEL, , Siehe Seite(n) vorne/See page(s) before/Voir page(s) avant(es)/Se side(r) forrest/Vedere pagin(a/e) precedent(e/i)
B	1-41-177-070	1/2	KABEL, , Siehe nächste Seite(n)/See next page(s)/Voir page(s) suivante(s)/Se næste side(r)/Vedere pagin(a/e) sequent(e/i)
C	1-41-177-076	1	KABEL, , Siehe nächste Seite(n)/See next page(s)/Voir page(s) suivante(s)/Se næste side(r)/Vedere pagin(a/e) sequent(e/i)
D	1-41-177-079	1/2	KABEL, , Siehe nächste Seite(n)/See next page(s)/Voir page(s) suivante(s)/Se næste side(r)/Vedere pagin(a/e) sequent(e/i)
1	1-40-158-604	1	SCHAKELAAR, , Ersetzt/Replaces/Remplace/Udskiftet/Sostituisce 139900580066
2	139900580085	1	SYMBOLLEN,
3	3141107R1	1	LAMP, W5/1.2, 12V, 1.2W,
4	169200580087	1	AANSLUITING,
5	139900580021	1	DEKSEL,
6	135700710002	2	RAAM,
7	135700710003	X	HUIS, , 4-Polig / 4-pole / À 4 pôle / 4-polet / 4 polo
8	133700770382	1	FITTING/RECIPIËNT, , ---->04314
9	190003802225	2	SCHROEF, , Sk.M5x20-8.8-A2C, ---->....
10	190003936100	2	SLUITRING, , 5,3-140HV-A3C ; ---->....
11	190003888450	2	MOER, , VM5-8-A2C ---->....
12	190003840026	2	SCHROEF, , BL.St4,8x16-C-H-A3C, ....---->04314
13	190003930243	2	SLUITRING, , A5,3-140HV-A3R, ....---->04314
14	133700770386	1	BESCHERMDEKSEL, , Q45 : ---->04314
15	1-40-171-022	1	VERBINDING, , ---->04314
16	133700810011	1/2	ZWAAILICHT, , Besteht aus/Consists of/Compose de/Bestående af/È composto da 30, 32, 33, 34, 35
17	1-40-171-017	1	AANSLUITING, , 04315 ----> ; 4-Polig / 4-pole / À 4 pôlen / 4-polet / 4 polo ; Signal / Signal / Signal / Signal / Segnali
18	190003840029	2	SCHROEF, , St2,9x13-N-HA3C ; 04315 ---->
19	1-40-171-018	1	BESCHERMDEKSEL, , 04315 ---->
20	1-40-171-021	1	AANSLUITING, , 04315 ----> ; 4-Polig / 4-pole / À 4 pôlen / 4-polet / 4 polo
21	1-40-181-012	1/2	ZWAAILICHT, , Ersetzt/Replaces/Remplace/Udskiftet/Sostituisce 133700810011
22	1-41-181-002	1/2	STEUNBEUGEL, , Dach hoch/Roof, high/Toit-abri 'haut/Høj tag/Tetto alto
23	1-41-181-003	1/2	PLAAT,
24	43127	2/4	BOUT, Hex, M8 x 25, 8.8,
25	190003098009	2/4	DICHTING, RUBBER, , A8x14-CU
26	190003888451	2/4	MOER, , VM8-8-A2C
27	1-40-181-009	1	KONZOOOL, , Dach nieder/Roof, low/Toit-abri de bas/Høj lav/Tetto alto basso
28	190003840055	2	SCHROEF, , BL.St6,3x19
29	1-40-181-010	1/2	VERBINDING,
30	1-40-779-001	1/2	LAMP, H1-12V/55W
31	1-40-781-002	1	TRANSPARENTE,
32	133700810701	1	HUIS,

## 04-32(01) ROTATING BEACON

Ref	Onderdeelnummer	Kwt	Beschrijving
33	133700810702	1	KLEINE ELECTRISCHE MOTOR,
34	133700810703	1	RETRO-REFLECTOR,
35	133700810704	1	TRANSPARENTE,
36	190003499650	2	KABELSCHOEN, , G01
37	190003129042	1	KABELDOORGANG, , Q02 ; 6x3
38	179100770001	2	PROFIEL, , J04

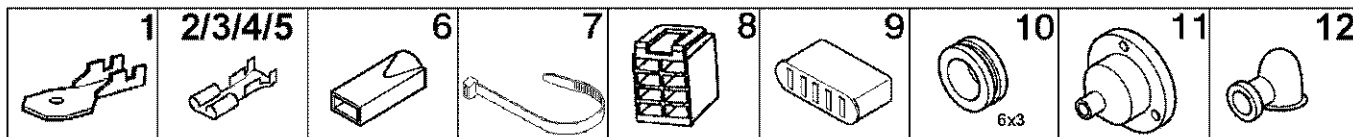


Ref	Onderdeelnummer	Kwt	Beschrijving
1	133700770382	1	FITTING/RECIPIËNT, , 25A
2	133700770386	1	BESCHERMDEKSEL, , Q45
3	1533899C1	1	VERBINDING, , 25A, Ersetzt/Replaces/Remplace/Udskiftet/Sostituisce 1-40-171-022
4	614-5012	2	BOUW, Hex, M5 x 12, 8.8, Full Thd, , M5x12-8.8-A2C, Ersetzt/Replaces/Remplace/Udskiftet/Sostituisce 190003802216
5	190003888450	2	MOER, , VM5-8-A2C
6	139900580030	1	VERDELER, , V20
7	190003843106	2	SCHROEF, , ST4,2x9,5--C-H-A3C
8	1-41-177-082	1	KABEL, , Siehe nächste Seite(n)/See next page(s)/Voir page(s) suivante(s)/Se næste side(r)/Vedere pagin(a/e) sequent(e/i)
9	1-40-258-125	1	ZEKERING, , 25A
10	1-40-171-017	1	AANSLUITING, , 4-Polig / 4-pole / À 4 pôlen / 4-polet / 4 polo ; Signal / Signal / Signal / Signal / Segnal
11	1-40-171-018	1	BESCHERMDEKSEL,
12	1-40-171-019	1	AANSLUITING, , Q58
13	1209090004	1	BESCHERMDEKSEL, , U01
14	1-40-171-021	1	AANSLUITING, , 4-Polig / 4-pole / À 4 pôlen / 4-polet / 4 polo
15	190003822058	2	SCHROEF, , ----> ....., ZYL.M3x16-4.8-A2C
16	190003820163	2	SCHROEF, , LI. M3x25-4.8-H-A2C
17	86508812	2	MOER, M3, CI 8,
18	1-41-177-083	1	KABEL, , Siehe nächste Seite(n)/See next page(s)/Voir page(s) suivante(s)/Se næste side(r)/Vedere pagin(a/e) sequent(e/i)
19	133700710006	1	AANSLUITING, , 7-Polig / 7-pole / À 7 pôle / 7-polet / 7 polo
20	1397710023	1	DICHTING, RUBBER, , Q43
21	190003820167	3	SCHROEF, , LI.M5x30-4.8-H-A2C
22	190003931062	3	SLUITRING, , A5-FST-A3C-DIN128
23	825-1405	3	MOER, M5, CI 8,
24	1-41-177-030	1	KABEL, , Siehe nächste Seite(n)/See next page(s)/Voir page(s) suivante(s)/Se næste side(r)/Vedere pagin(a/e) sequent(e/i)
25	190003171697	X	BEVESTIGINGSKLEM, , A5x180 / K02



13

◆ Y4Z	□	⊗ Y4U	⊕ Y5K
● Y40-49	◻	○ Y50-	⊙ Y57
✱ Y60-61	⊙	▼ 48-54	⊙
■ Y70	▽	⊗ Y4Q-	⊕ Y4T
■ Y4Y	▽		

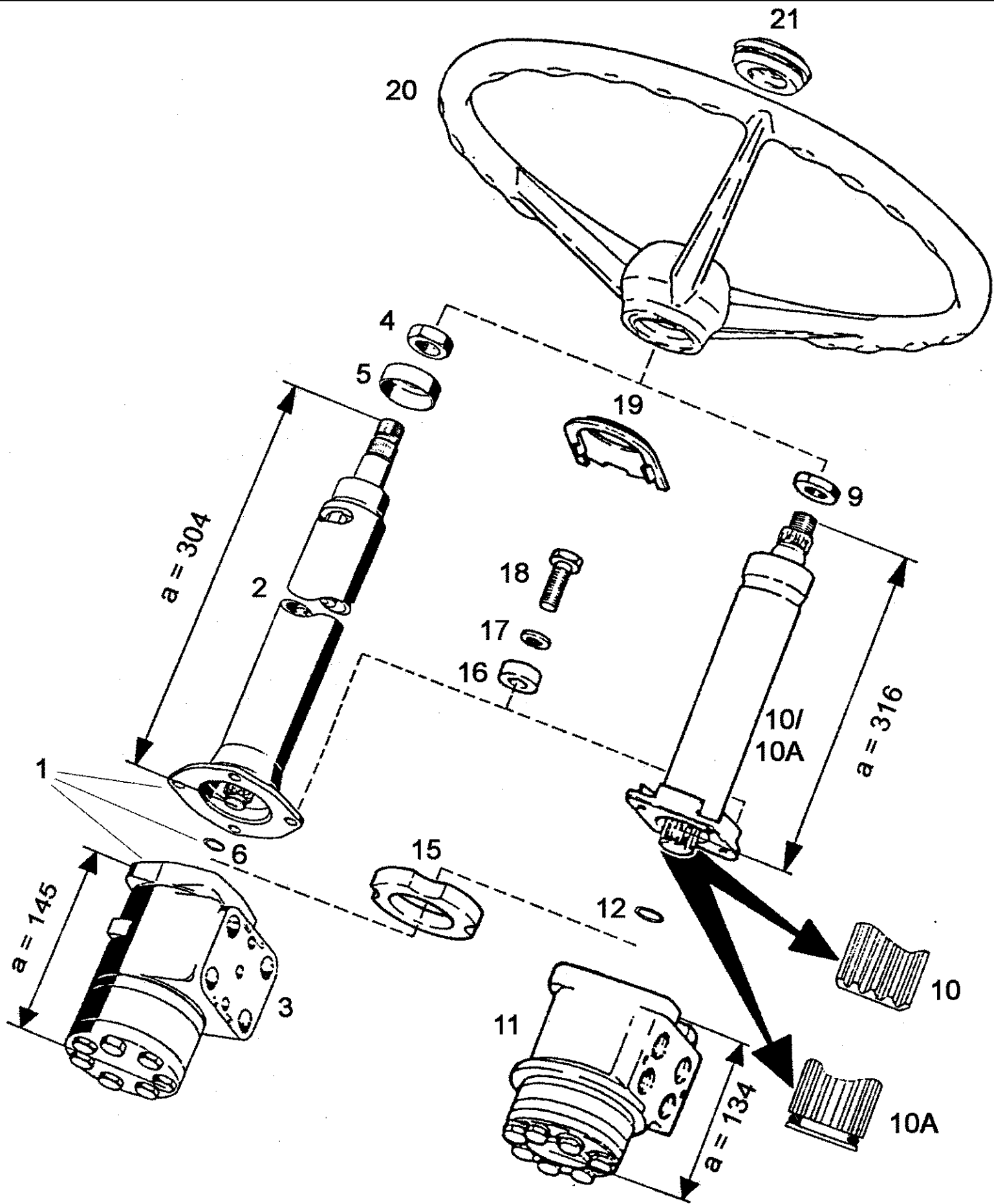


## 04-34(01) PLUG-SOCKETS - CABLES

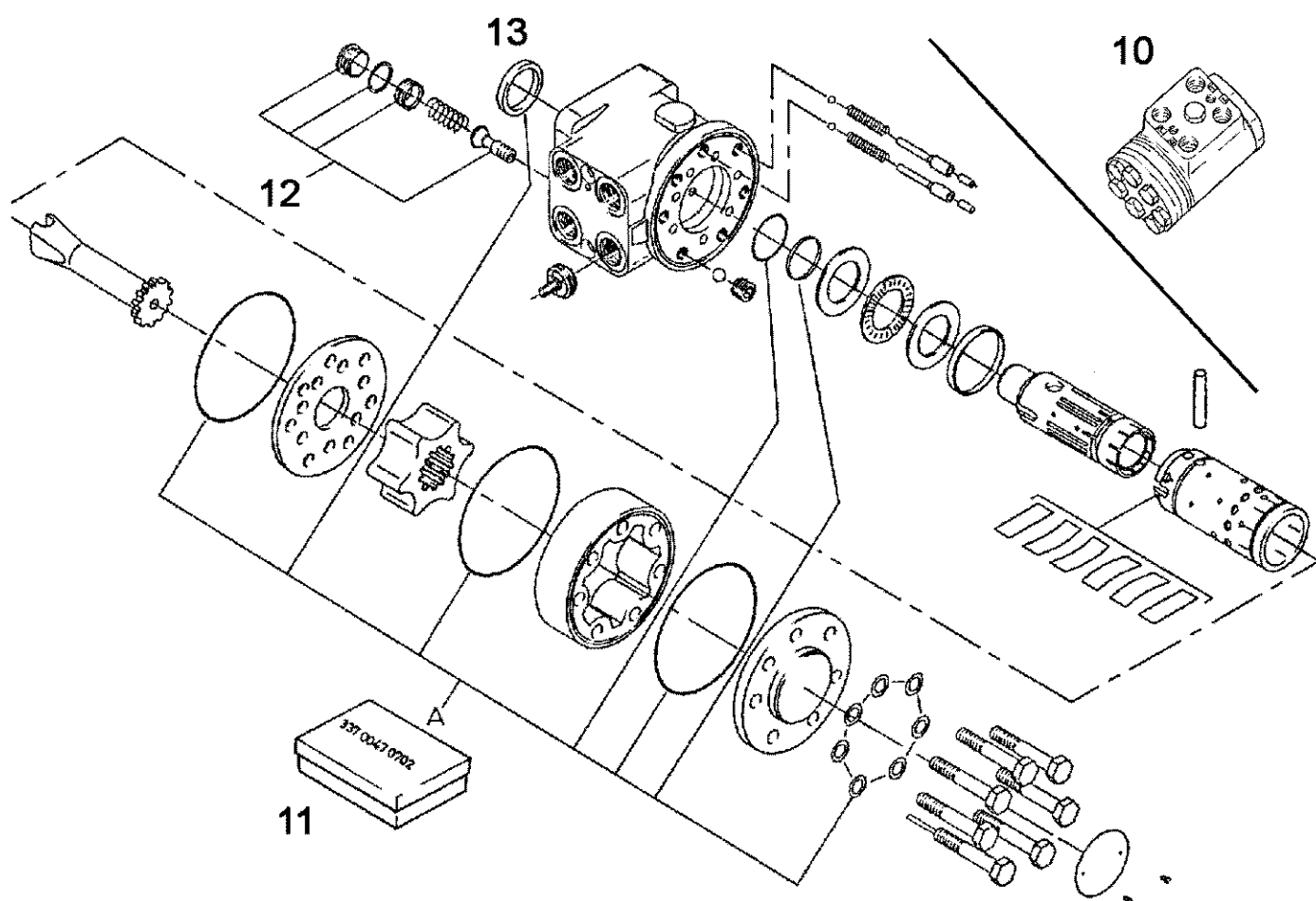
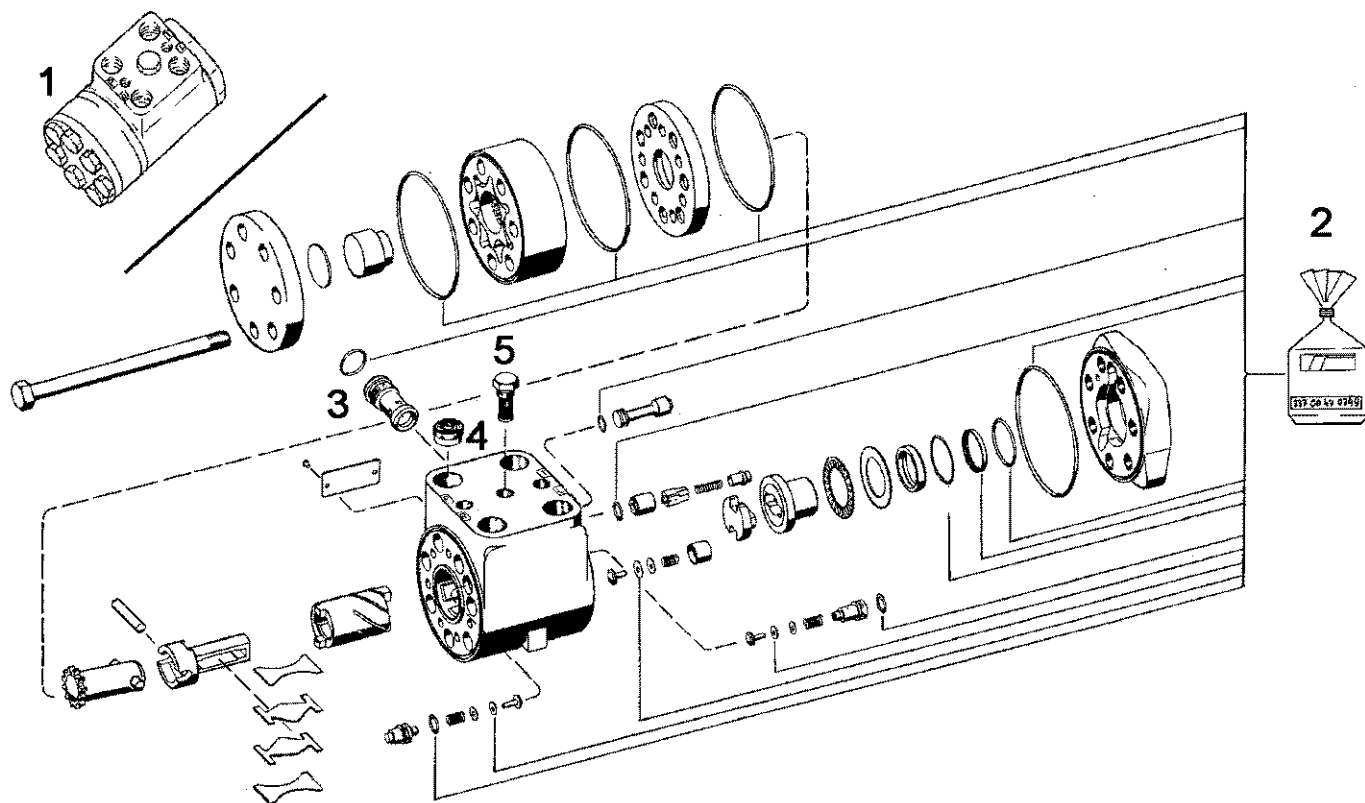
Ref	Onderdeelnummer	Kwt	Beschrijving
A	1-41-177-030	1	KABEL, , 7-polige Steckdose/7-pole plug socket/Prise de courant 7 pôle/7-polet stikdåse/Presa di corrente, 7 polo
B	1-41-177-070	1	KABEL, , Rundumleuchtensteckdose/Rotating beacon socket/Feu rotatif prise de courant/Advarselslygte stikdåse/Faro rotante presa
C	1-41-177-076	1	KABEL, , Versorgung Dachschalter/Supply roof switch/Éclairage contacteur alimentation/Forsyning tagkontakt/Alimentazione tetto interruttore
D	1-41-177-079	1	KABEL, , Rundumleuchte steckbar / Rotating beacon plug-in / Feu rotatif enfichable / Advarselslygte stik / Luce roteante innestabile
E	1-41-177-082	1	KABEL, , Leistungssteckdose/Power socket/Prise de puissance/Ydelsesstikdåse/Presa di potenza
F	1-41-177-083	1	KABEL, , Signalsteckdose/Marking-plug socket/Jalonnage-prise de courant/Signal stikdåse/Segnali presa
1	179100770004	2	AANSLUITKLEM, , F04
2	190003499650	14	KABELSCHOEN, , G01
3	1880770005	8	KABELSCHOEN, , G03
4	190003499746	1	VERBINDING, , G06
5	179100770006	1	VERBINDING, , G17
6	135700770206	1	ELECTRISCHE ISOLATIE, , J07 ; 1-Polig / 1-pole / À 1 pôle / 1-polet / 1 polo
7	190003171715	2	SPANHULS, , A2,5x100 / K01
8	139900580022	1	CONTACTDOOS, , M22 ; 8-Polig / 8-pole / À 8 pôle / 8-polet / 8 polo
9	179100770390	2	CONTACTDOOS, , M24 ; 5-Polig / 5-pole / À 5 pôle / 5-polet / 5 polo
10	190003129042	1	KABELDOORGANG, , Q02 ; 6x3
11	1397710023	1	DICHTING, RUBBER, , Q43
12	1209090004	1	BESCHERMDEKSEL, , U01
13			, Kabelschutzsystem siehe Seite(n) vorne/Cable protection system see page(s) before/Câblesystème à protection voir page(s) avant(es)/Beskyttelsessystem til kabel se side(r) forrest/Sistema di protezione dei cavi vedere pagin(a/e) precedent(e/i)







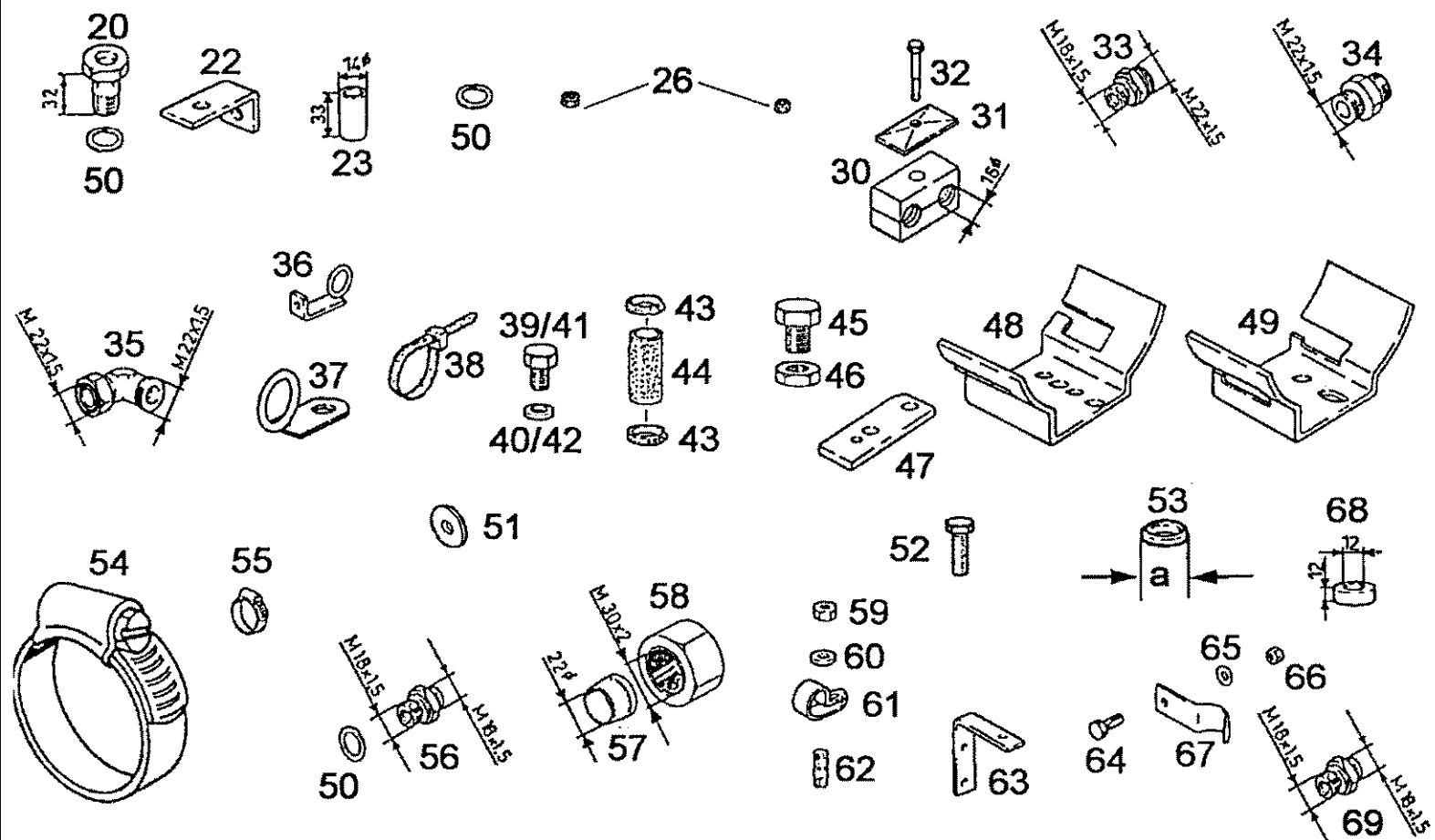
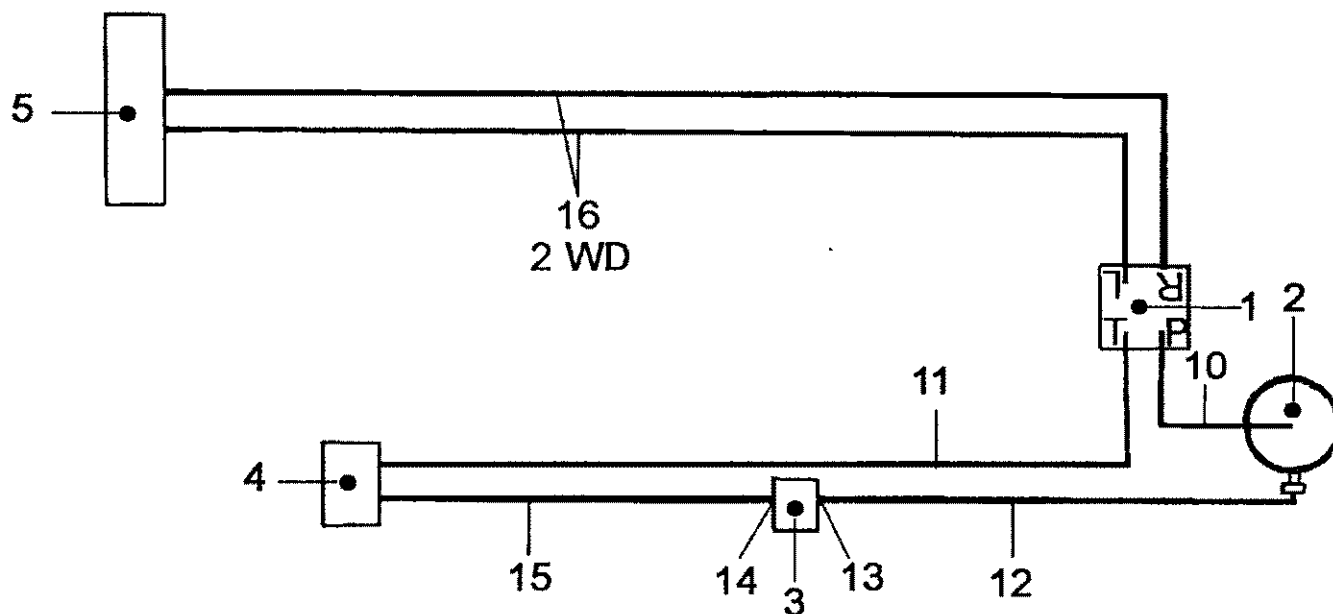
Ref	Onderdeelnummer	Kwt	Beschrijving
1	1-33-147-020	1	PUMP, , Besteht aus/Consists of/Compose de/Bestående af/È composto da 2, 3, 6
2	1-33-147-019	1	STUURKKOLOM, , Einschließlich/Includes/Avec/Inklusive/Compreso 6
3	1-33-147-018	1	SERVOBESTURING, , Siehe nächste Seite(n)/See next page(s)/Voir page(s) suivante(s)/Se næste side(r)/Vedere pagin(a/e) sequent(e/i)
4	190003871547	1	MOER, , M18x1,5-A3C-DIN936
5	1192470749	1	FAIRING, LIGHT,
6	133700470732	1	O-RING,
10	1-33-147-023	1	STUURKKOLOM, , ----> ..... - Einschließlich/Includes/Avec/Inklusive/Compreso 12
10A	1-33-147-116	1	STUURKKOLOM, , ..... ----> - Einschließlich/Includes/Avec/Inklusive/Compreso 12
11	1-33-147-022	1	SERVOBESTURING, , Siehe nächste Seite(n)/See next page(s)/Voir page(s) suivante(s)/Se næste side(r)/Vedere pagin(a/e) sequent(e/i)
12	1-33-747-010	1	O-RING,
15	1-33-147-053	1	RING,
16	1586230019	3	ROL,
17	190003931122	3	BORGRING, , A10
18	9706704	3	BOUT, Hex, M10 x 35, 8.8, Full Thd, , M10x35-8.8
19	1-33-147-043	1	COVER, PROTECTIVE,
20	133700470274	1	STUURWIEL,
21	133700470207	1	LOGO, DEALERSHIP IDENTITE,



955 STEYR TRACTOR (2/92-6/97) - Besturing

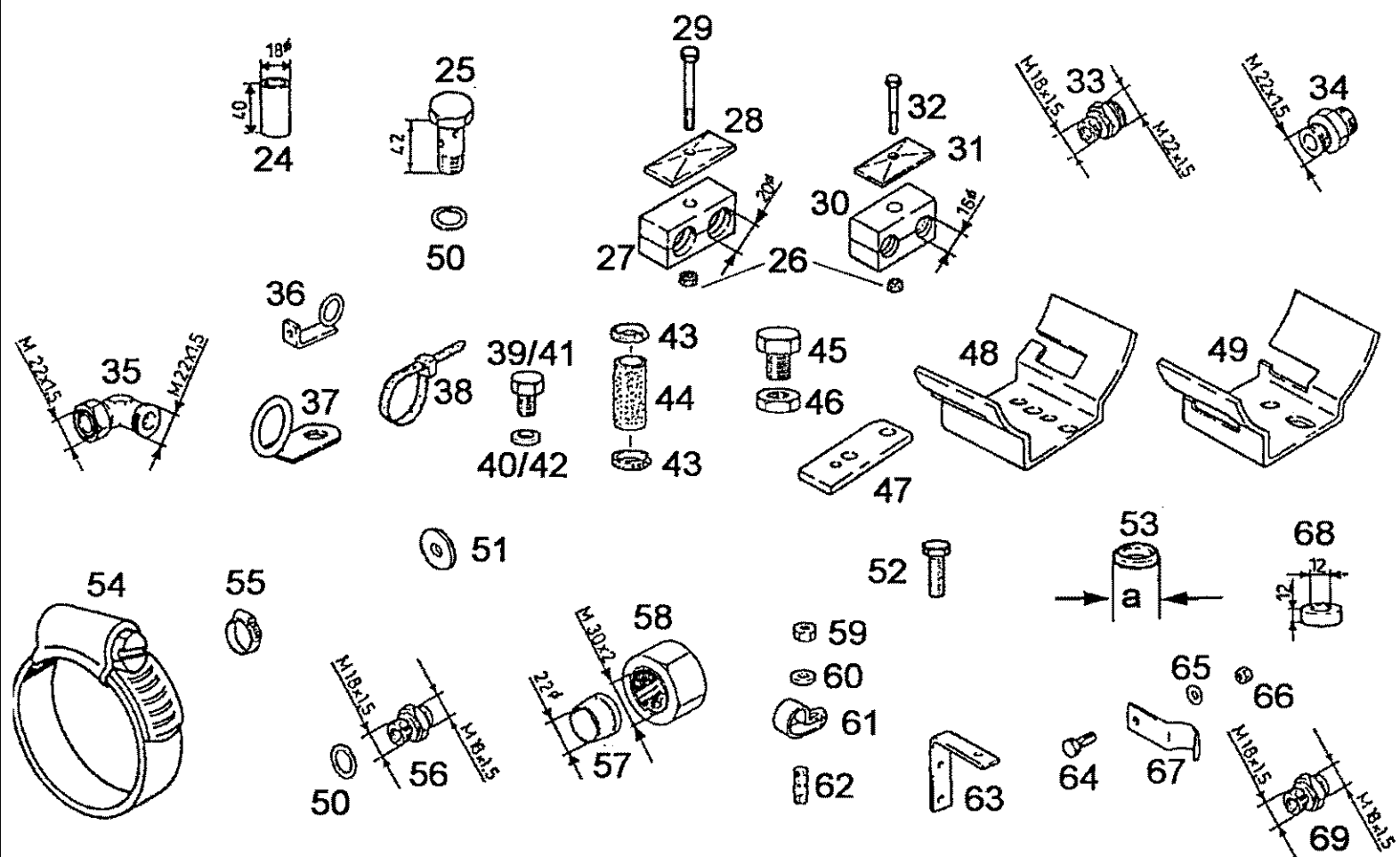
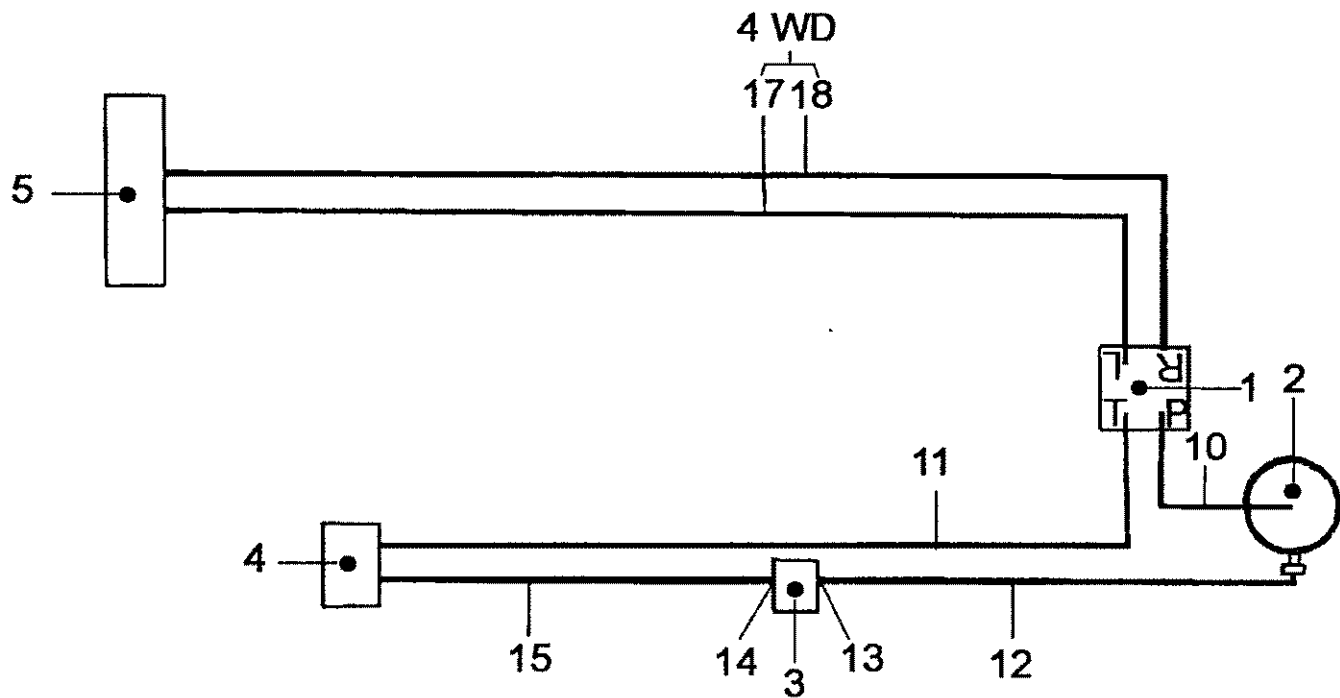
05-02(01) STEERING CONTROL VALVE - DISASSEMBLED

Ref	Onderdeelnummer	Kwt	Beschrijving
1	1-33-147-018	1	SERVOBESTURING, , Einschließlich/Includes/Avec/Inklusive/Compreso 2 - 5
2	133700470749	1	KIT, GASKET,
3	1192470779	1	VALVE, , 120 bar
4	139900470704	1	SET,
5	1-33-747-300	1	FILTER,
10	1-33-147-022	1	SERVOBESTURING, , Einschließlich/Includes/Avec/Inklusive/Compreso 11 - 13
11	133700470702	1	KIT, GASKET,
12	133700470726	1	KLEP,
13	133700470701	1	RING, PACKING,



Ref	Onderdeelnummer	Kwt	Beschrijving
1		1	, LENKUNG KPL/STEERING ASSY/DIRECTION ASSY/STYRING KOMPLET/STERZO COMPLETA - Siehe Seite(n) vorne/See page(s) before/Voir page(s) avant(es)/Se side(r) forrest/Vedere pagin(a/e) precedent(e/i)
2	1-33-147-204	1	OIL RESERVOIR, , Ersetzt/Replaces/Remplace/Udskiftet/Sostituisce 1-33-147-062
3		1	, PUMPE, HYDRAULIK/PUMP, HYDRAULIC/POMPE HYDRAULIQUE/HYDRAULIKPUMPE/POMPA IDRAULICA - Siehe Kapitel 02/See chapter 02/Voir chapitre 02/Se kapitel 02/Vedere capitolo 02
4	169100470033	1	OIL RESERVOIR, , Siehe nächste Seite(n)/See next page(s)/Voir page(s) suivante(s)/Se næste side(r)/Vedere pagin(a/e) sequent(e/i)
5	133700470276	1	SERVOSTUURCYLINDER, , Vorderachse nicht verstellbar/Suspension not adjustable/Suspension non reglable/Foraksel kan ikke indstilles/Assale anteriore non regolabi - Siehe nächste Seite(n)/See next page(s)/Voir page(s) suivante(s)/Se næste side(r)/Vedere pagin(a/e) sequent(e/i)
5	135700470047	1	SERVOSTUURCYLINDER, , Vorderachse verstellbar/Front Axle adjustable/Essieu Avant réglable/Foraksel justerbar/Assale anteriore regolabile - Siehe nächste Seite(n)/See next page(s)/Voir page(s) suivante(s)/Se næste side(r)/Vedere pagin(a/e) sequent(e/i)
10	1-33-147-075	1	FLEXIBELE BUIS, , Länge/Length/Longuer/Længde/Lunghezza 1450mm - Ersetzt/Replaces/Remplace/Udskiftet/Sostituisce 1398470098
11	1-33-147-040	1	FLEXIBELE BUIS, , Länge/Length/Longuer/Længde/Lunghezza 1300mm
12	1397470158	1	FLEXIBELE BUIS, , ----> 04340 - Länge/Length/Longuer/Længde/Lunghezza 800mm
12	1-33-147-133	1	DRUKLEIDING, , 04341 ---->
13		1	, FLANSCH/FLANGE/FLASQUE, BRIDE/FLANGE/FLANGIA - Siehe Kapitel 02/See chapter 02/Voir chapitre 02/Se kapitel 02/Vedere capitolo 02
14		1	, FLANSCH/FLANGE/FLASQUE, BRIDE/FLANGE/FLANGIA - Siehe Kapitel 02/See chapter 02/Voir chapitre 02/Se kapitel 02/Vedere capitolo 02
15	1-33-147-041	1	AANZUIGLEIDING, , ----> .....
15	1-33-147-067	1	AANZUIGLEIDING, , ..... ---->
16	1-33-147-063	2	FLEXIBELE BUIS, , Länge/Length/Longuer/Længde/Lunghezza 1700mm
20	190003962632	2	VIJZELSCHROEF, , 15-3
22	1-33-147-049	1	HOEKSTUK,
23	135700730117	1	AFSTANDSSTUK VOOR BUIZEN, , Länge/Length/Longuer/Længde/Lunghezza 33mm
26	43362	2	MOER, M8, CI 10,
30	1-33-147-033	2	KLEM,
31	1-33-147-034	2	DEKSEL,
32	190003800459	1	SCHROEF, , M8x50-8.8
33	190003551203	1	VERBINDING, , L15
34	190003559968	1	VERBINDING, , L15-ST-A3C
35	190003559493	2	VERBINDING, , L15
36	133700272125	1	HOUDER,
37	135700730034	2	STEUN,
38	190003170283	1	BUISKLEM, , A8x280 / K04
39	190003802506	1	SCHROEF, , M10x16-8.8
38	190003171697	3	BEVESTIGINGSKLEM, , A5x180 / K02

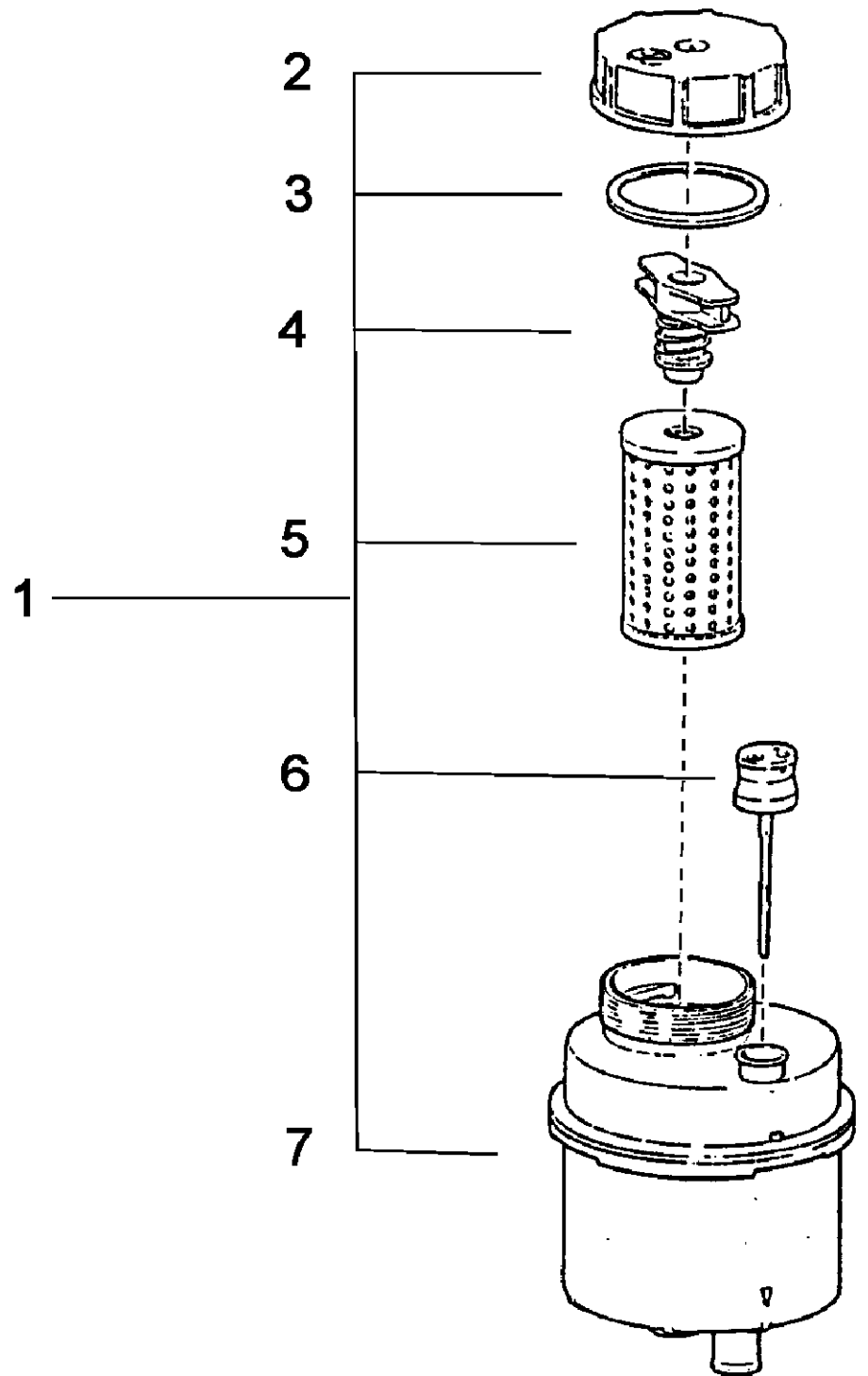
Ref	Onderdeelnummer	Kwt	Beschrijving
40	190003937285	1	SCHIJF,
41	43151	1	BOUT, Hex, M12 x 20, 8.8, Full Thd, , M12x20-8.8
42	190003930282	1	SCHIJF, , A13
43	190003989340	2	KLEM, , 22/29
44	161460110063	1	SLANG, GROOT,
45	190003802709	1	SCHROEF, , M14x20-8.8
46	190003871532	1	MOER, , M14-05-A3C
47	1-33-147-031	2	STEUNBEUGEL,
48	1-33-147-029	1	BAIL, , ----> .....
49	1-33-147-086	1	BAIL, , ..... ---->
50	190003098021	4	DICHTINGSRING, , A18x24-CU - ----> .....
51	190003936103	1	SLUITRING, , 8,4-140HV-A3C-DIN9021
52	43128	2	BOUT, Hex, M8 x 30, 8.8,
52	190003802451	2	SCHROEF, Hex, M8 x 50, 8.8, , M8x50-8.8
53	133700470139	1	O-RING, , a = 23
53	133700472001	1	RESERVERING, , 18x25; 7
54	190003989318	1	CLAMP, , 105/127
55	190003989336	1	BUISKLEM, , 16/22
56	1-33-147-054	1	FITTING, , ----> .....
57	190003559567	1	TONNETJE, , L22
58	190003559510	1	NUT, TUBE, , A L22
59	43362	1	MOER, M8, CI 10,
60	190003930261	1	SLUITRING, , A8,4
61	1609E110049	1	KLEM,
62	190003812420	1	TAPEIND, , M8x20-8.8-A2C
63	159000360158	1	HOEKSTUK,
64	86508568	1	BOUT, Hex, M6 x 16, 8.8,
65	190003937276	1	SLUITRING,
66	15896221	1	MOER, M6, CI 10, , M6-8-A2C, DIN934
67	138091360181	1	CLAMP,
68	1586230019	3	ROL,
69	1-33-147-207	1	VERBINDING, , ..... ---->





Ref	Onderdeelnummer	Kwt	Beschrijving
1		1	, LENKUNG KPL/STEERING ASSY/DIRECTION ASSY/STYRING KOMPLET/STERZO COMPLETA - Siehe nächste Seite(n)/See next page(s)/Voir page(s) suivante(s)/Se næste side(r)/Vedere pagin(a/e) seguent(e/i)
2	1-33-147-204	1	OIL RESERVOIR, , Ersetzt/Replaces/Remplace/Udskiftet/Sostituisce 1-33-147-062
3		1	, PUMPE, HYDRAULIK/PUMP, HYDRAULIC/POMPE HYDRAULIQUE/HYDRAULIKPUMPE/POMPA IDRAULICA - Siehe Kapitel 02/See chapter 02/Voir chapitre 02/Se kapitel 02/Vedere capitolo 02
4	169100470033	1	OIL RESERVOIR, , Siehe nächste Seite(n)/See next page(s)/Voir page(s) suivante(s)/Se næste side(r)/Vedere pagin(a/e) seguent(e/i)
5	1-33-747-002	1	CYLINDER STEERING, , Siehe nächste Seite(n)/See next page(s)/Voir page(s) suivante(s)/Se næste side(r)/Vedere pagin(a/e) seguent(e/i)
10	1-33-147-075	1	FLEXIBELE BUIS, , Länge/Length/Longuer/Længde/Lunghezza 1450mm
11	1-33-147-040	1	FLEXIBELE BUIS, , Länge/Length/Longuer/Længde/Lunghezza 1300mm
12	1397470158	1	FLEXIBELE BUIS, , ----> 04340 - Länge/Length/Longuer/Længde/Lunghezza 800mm
12	1-33-147-133	1	DRUKLEIDING, , 04341 ---->
13		1	, FLANSCH/FLANGE/FLASQUE, BRIDE/FLANGE/FLANGIA - Siehe Kapitel 02/See chapter 02/Voir chapitre 02/Se kapitel 02/Vedere capitolo 02
14		1	, FLANSCH/FLANGE/FLASQUE, BRIDE/FLANGE/FLANGIA - Siehe Kapitel 02/See chapter 02/Voir chapitre 02/Se kapitel 02/Vedere capitolo 02
15	1-33-147-041	1	AANZUIGLEIDING, , ----> .....
15	1-33-147-067	1	AANZUIGLEIDING, , ..... ---->
17	1-33-147-038	1	FLEXIBELE BUIS, , Länge/Length/Longuer/Længde/Lunghezza 1450mm
18	1-33-147-037	1	FLEXIBELE BUIS, , Länge/Length/Longuer/Længde/Lunghezza 2030mm
20	190003962632	1	VIJZELSCHROEF, , 15-3
24	1-99-942-021	1	AFSTANDSSTUK VOOR BUIZEN,
25	190003962633	1	VIJZELSCHROEF, , 15-S
26	43362	2	MOER, M8, CI 10,
27	1-33-147-035	2	CLAMP,
28	1-33-147-036	1	COVER,
29	190003800458	1	SCHROEF, , M8x70-8.8
30	1-33-147-033	2	KLEM,
31	1-33-147-034	2	DEKSEL,
32	190003800459	1	SCHROEF, , M8x50-8.8
33	190003551203	1	VERBINDING, , L15
34	190003559968	1	VERBINDING, , L15-ST-A3C
35	190003559493	2	VERBINDING, , L15
36	133700272125	1	HOUDER,
37	135700730034	2	STEUN,
38	190003170283	1	BUISKLEM, , A8x280 / K04
38	190003171697	3	BEVESTIGINGSKLEM, , A5x180 / K02
39	190003802506	1	SCHROEF, , M10x16-8.8
40	190003937285	1	SCHIJF,

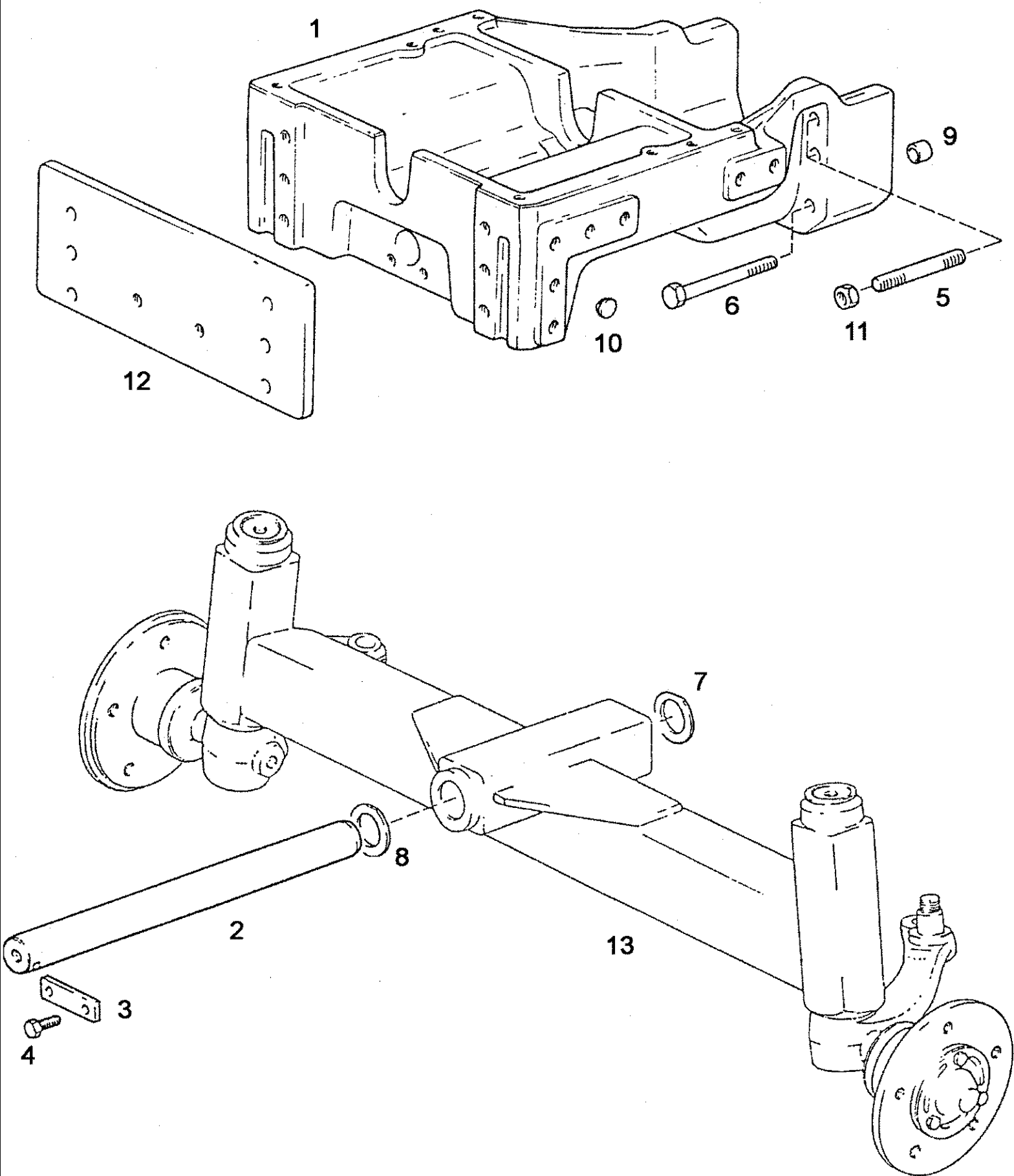
Ref	Onderdeelnummer	Kwt	Beschrijving
41	43151	1	BOUT, Hex, M12 x 20, 8.8, Full Thd, , M12x20-8.8
42	190003930282	1	SCHIJF, , A13
43	190003989340	2	KLEM, , 22/29
44	161460110063	1	SLANG, GROOT,
45	190003802709	1	SCHROEF, , M14x20-8.8
46	190003871532	1	MOER, , M14-05-A3C
47	1-33-147-031	2	STEUNBEUGEL,
48	1-33-147-029	1	BAIL, , ----> .....
49	1-33-147-086	1	BAIL, , ..... ---->
50	190003098021	4	DICHTINGSRING, , A18x24-CU - ----> .....
51	190003936103	1	SLUITRING, , 8,4-140HV-A3C-DIN9021
52	43128	2	BOUT, Hex, M8 x 30, 8.8,
52	190003802451	2	SCHROEF, Hex, M8 x 50, 8.8, , M8x50-8.8
53	133700470139	1	O-RING, , a = 23
53	133700472001	1	RESERVERING, , 18x25; 7
54	190003989318	1	CLAMP, , 105/127
55	190003989336	1	BUISKLEM, , 16/22
56	1-33-147-054	1	FITTING, , ----> .....
57	190003559567	1	TONNETJE, , L22
58	190003559510	1	NUT, TUBE, , A L22
59	43362	1	MOER, M8, CI 10,
60	190003930261	1	SLUITRING, , A8,4
61	1609E110049	1	KLEM,
62	190003812420	1	TAPEIND, , M8x20-8.8-A2C
63	159000360158	1	HOEKSTUK,
64	86508568	1	BOUT, Hex, M6 x 16, 8.8,
65	190003937276	1	SLUITRING,
66	15896221	1	MOER, M6, CI 10, , M6-8-A2C, DIN934
67	138091360181	1	CLAMP,
68	1586230019	3	ROL,
69	1-33-147-207	1	VERBINDING, , ..... ---->



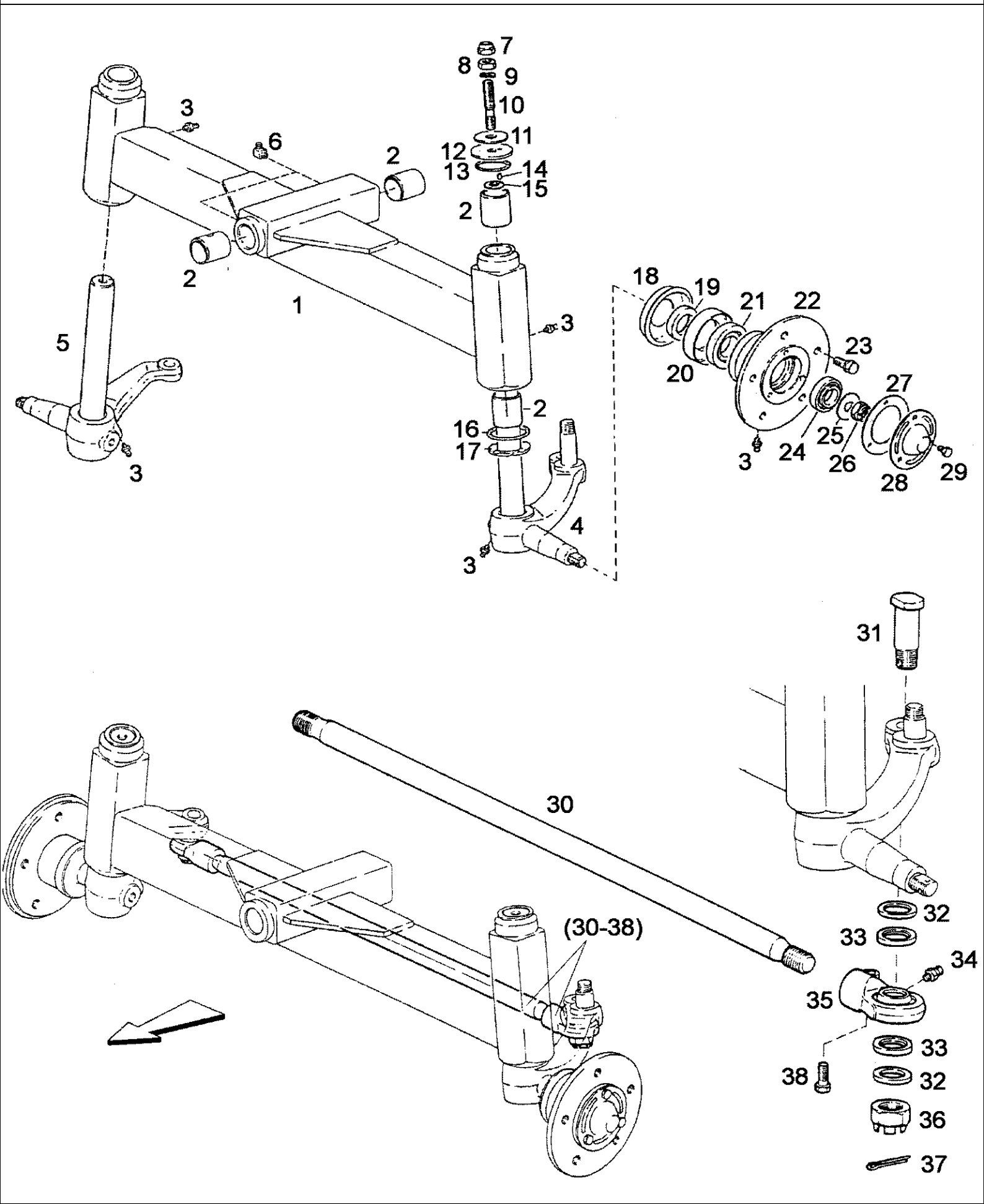
955 STEYR TRACTOR (2/92-6/97) - Besturing

05-04(01) OIL CONTAINER - DISASSEMBLED

Ref	Onderdeelnummer	Kwt	Beschrijving
1	169100470033	1	OIL RESERVOIR, , Besteht aus/Consists of/Compose de/Bestående af/È composto da 2 - 7
2	169100470703	1	DEKSEL,
3	169100470702	1	DICHTINGSRING,
4	169100470701	1	KLINK,
5	1480A470748	1	OLIEFILTER,
6	169100470704	1	MEETAPPARAAT,
7	NSS	1	NIET ALLEEN VERKRIJGBAAR,

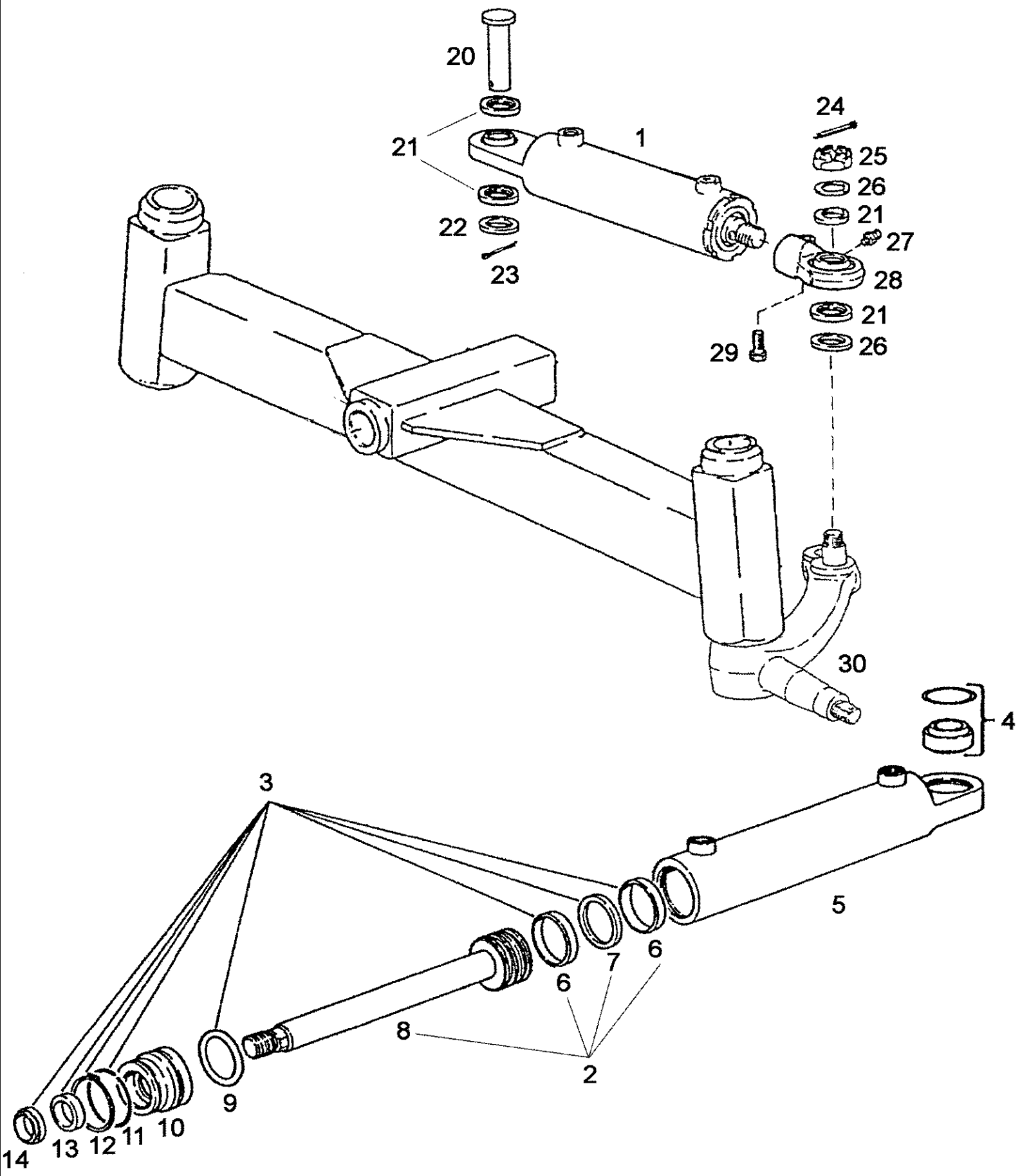


Ref	Onderdeelnummer	Kwt	Beschrijving
1	1-33-241-100	1	CARRIER, AXLE,
2	133700410260	1	PIN, LARGE,
3	11800410070	1	ZEKERING,
4	43138	2	BOU, Hex, M10 x 20, 8.8, Full Thd,
5	190003810087	4	TAPEIND, , M18x130-10.9
6	190003800353	2	SCHROEF, , M18x140-10.9
7	1192410037	X	SLUITRING, , 3,00mm
7	1192410040	X	SLUITRING, , 3,25mm
7	1192410038	X	SLUITRING, , 3,50mm
7	1192410041	X	SLUITRING, , 3,75mm
7	1192410039	X	SLUITRING, , 4,00mm
8	1192410035	X	SLUITRING, , 0,5mm
9	1-33-141-016	2	LAGER,KOPPELING DRUKPLAA,
10	190003171679	14	PLUG, , A14,6x9,5
11	190003870031	4	MOER, , M18-10
12		1	, PLATTE/PLATE/PLAQUE/PLADE/PIASTRA - Siehe Kapitel 09C/See chapter 09C/Voir chapitre 09C/Se kapitel 09C/Vedere capitolo 09C
13		1	, ACHSE/AXLE/ESSIEU/AKSEL/ASSE - Siehe nächste Seite(n)/See next page(s)/Voir page(s) suivante(s)/Se næste side(r)/Vedere pagin(a/e) seguent(e/i)

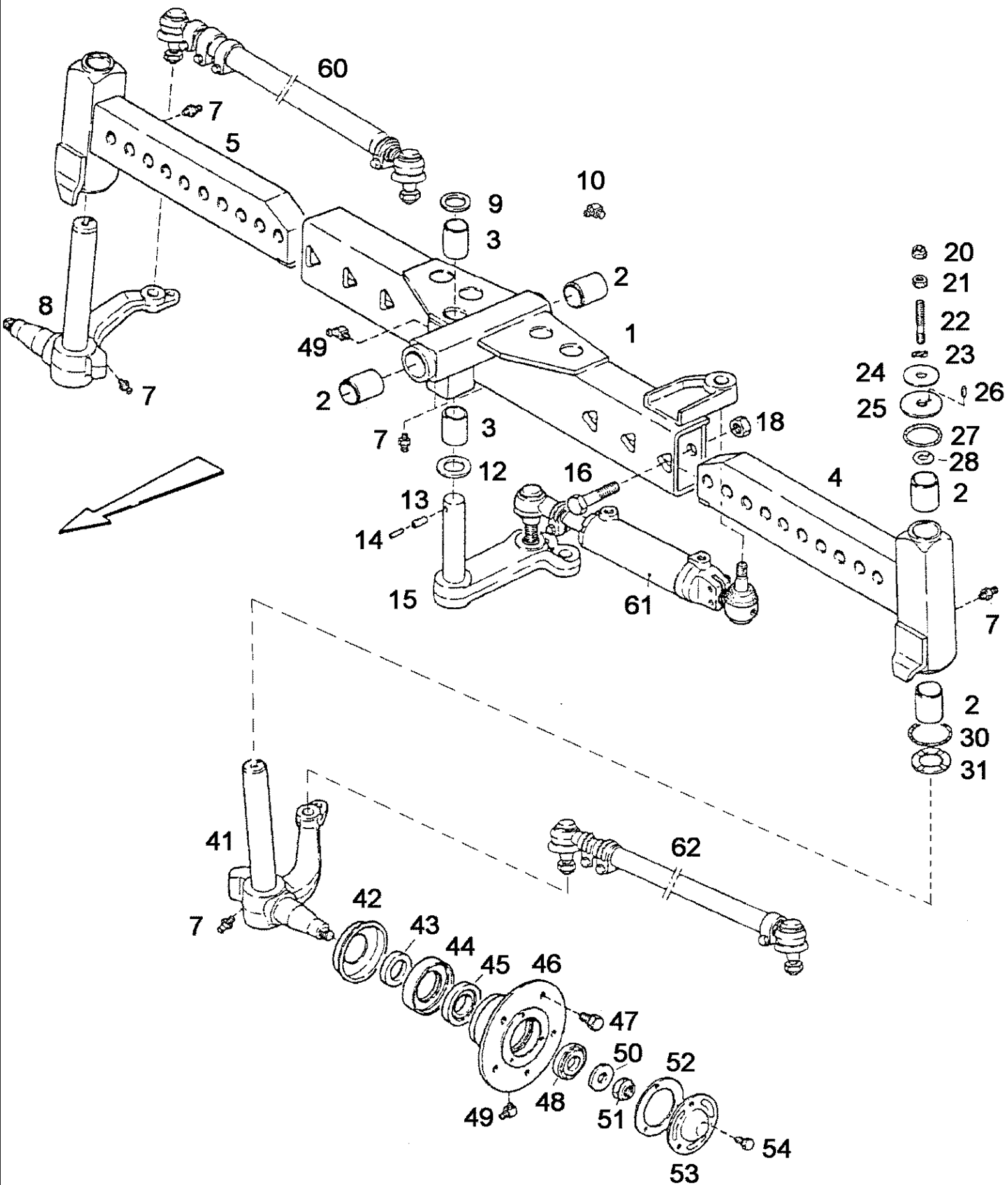


Ref	Onderdeelnummer	Kwt	Beschrijving
1	133700410281	1	VERBINDINGSSTUK, MIDDEN, , Einschließlich/Includes/Avec/Inklusive/Compreso 2
2	133700410213	6	LAGERBUS,
3	190003963112	11	SMEERNIPPEL, , AM8x1
4	133700410245	1	STUURGEWRIJCHT (COMPLEET),
5	133700410247	1	STUURGEWRIJCHT (COMPLEET),
6	190003963114	2	SMEERNIPPEL, , BM8x1
7	190003888459	2	MOER, , VM16x1,5- 8
8	190003871341	2	MOER, , M16x1,5-10
9	190003932018	2	WASHER, SPRING, , B16
10	1390410058	2	TAPEIND,
11	190003932622	2	SCHIJF, , R17,5
12	133700410165	2	SLUITRING,
13	11800410049	2	RING, PACKING, , 50x6
14	190003909731	2	SPANSTIFT, , 4x10
15	133700410166	X	SLUITRING, , 0,125mm
15	133700410167	X	SLUITRING, , 0,5mm
15	133700410168	X	SLUITRING, , 0,7mm
16	1288410166	2	RING, PACKING, , 57,2x5,7
17	1295410060	2	SCHIJF,
18	1288410146	2	SHEET,
19	1288410145	2	RACE,
20	1288410147	2	DRAAGFLENS VOOR AFDICHTIN,
21	190003326020	2	LAGER, KOGEL,
22	1-33-241-276	2	NAAF, , Ersetzt/Replaces/Remplace/Udskiftet/Sostituisce 1295410007
23	190003860004	10	SCHROEF, , G14x24-8.8
24	190003326218	2	LAGER, KOGEL,
25	1190410031	2	SCHIJF,
26	1295410093	2	MOER,
27	11800410069	2	DICHTINGSRING,
28	1190410030	2	DEKSEL,
29	190003802503	6	SCHROEF, , M10x12-8.8
30	133700430061	1	TREKSTANG,
31	139900470003	2	PIN, LARGE,
32	133700410222	4	WASHER, THRUST,
33	133700470103	4	DICHTINGSSTUK,
34	190003963112	2	SMEERNIPPEL, , AM8x1
35	137700470144	2	KOPPELING, , Einschließlich/Includes/Avec/Inklusive/Compreso 34, 38
36	190003872369	2	MOER, , M24x1,5
37	190003920431	2	SPLITPEN, , 5x40
38	190003802544	2	SCHROEF, , M10x30-10.9



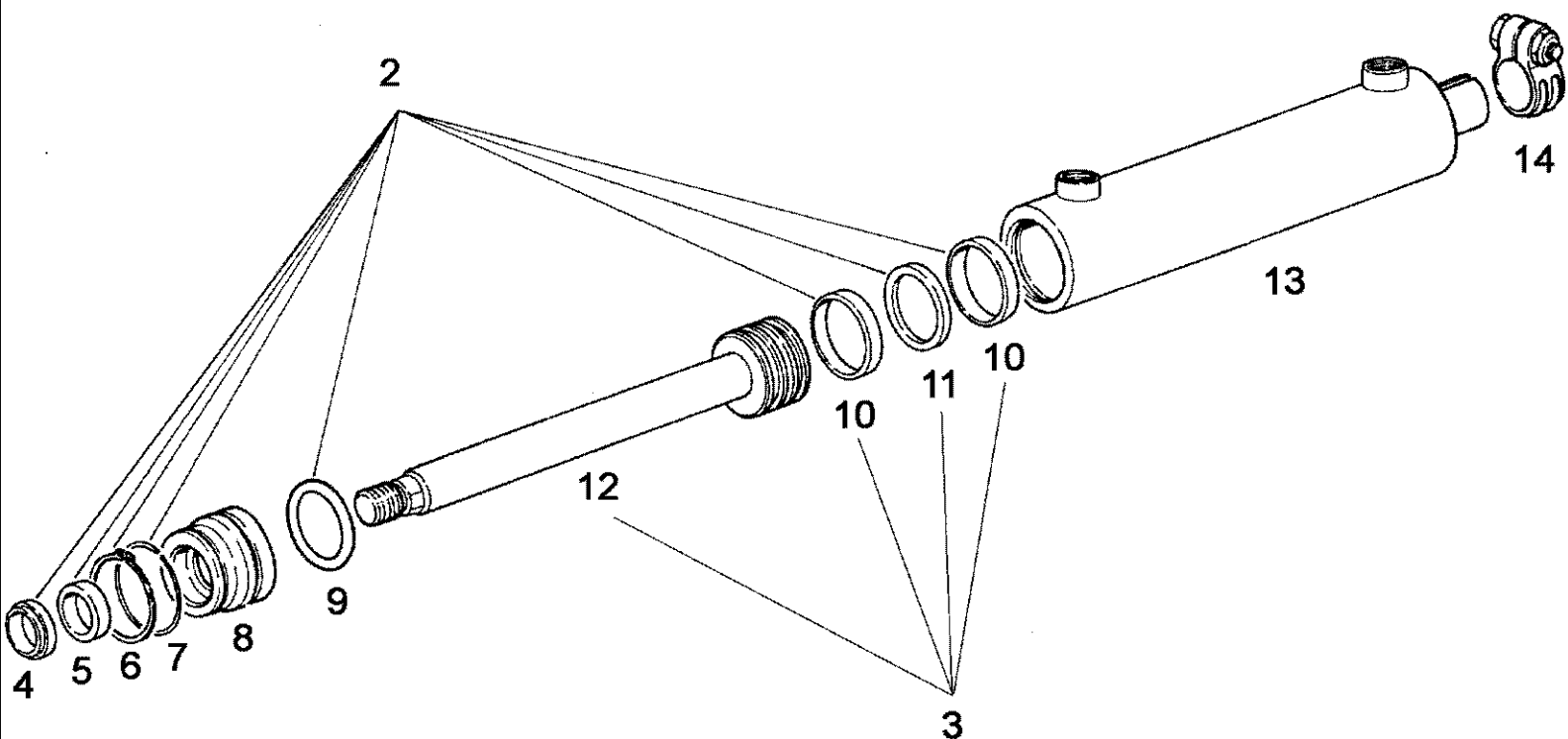
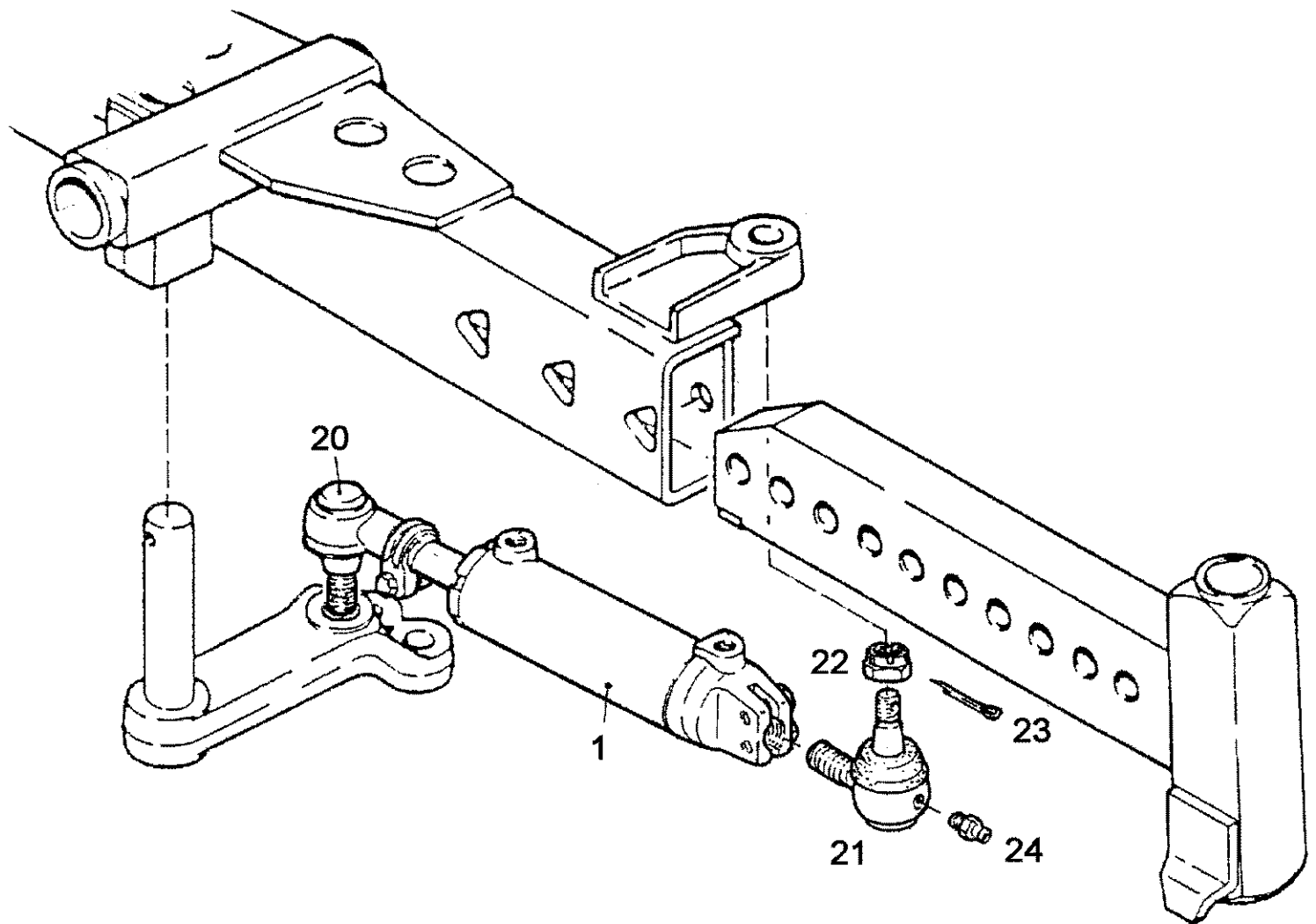


Ref	Onderdeelnummer	Kwt	Beschrijving
1	133700470276	1	SERVOSTUURCYLINDER, , Besteht aus/Consists of/Compose de/Bestående af/È composto da 2 - 14
2	135700471017	1	STAAK, , Besteht aus/Consists of/Compose de/Bestående af/È composto da 6 - 8
3	133700470766	1	KIT, GASKET, , Besteht aus/Consists of/Compose de/Bestående af/È composto da 6, 7, 9 - 14
4	133700470767	1	LAGER,
5	NSS	1	NIET ALLEEN VERKRIJGBAAR,
6	NSS	2	NIET ALLEEN VERKRIJGBAAR,
7	NSS	1	NIET ALLEEN VERKRIJGBAAR,
8	NSS	1	NIET ALLEEN VERKRIJGBAAR,
9	NSS	1	NIET ALLEEN VERKRIJGBAAR,
10	NSS	1	NIET ALLEEN VERKRIJGBAAR,
11	NSS	1	NIET ALLEEN VERKRIJGBAAR,
12	NSS	1	NIET ALLEEN VERKRIJGBAAR,
13	NSS	1	NIET ALLEEN VERKRIJGBAAR,
14	NSS	1	NIET ALLEEN VERKRIJGBAAR,
20	190003903781	1	PIN, LARGE, , 25h11x70x62
21	133700470103	4	DICHTINGSSTUK,
22	190003930341	1	SLUITRING, , A25
23	190003920527	1	SPLITPEN, , 6,3x40
24	190003920431	1	SPLITPEN, , 5x40
25	190003872369	1	MOER, , M24x1,5
26	133700410222	2	WASHER, THRUST,
27	190003963112	1	SMEERNIPPEL, , AM8x1
28	137700470144	1	KOPPELING, , Einschließlich/Includes/Avec/Inklusive/Compreso 27, 29
29	190003802544	1	SCHROEF, , M10x30-10.9
30		1	, ACHSSCHENKEL/KNUCKLE, STEERING/FUSEE D'ESSIEU/FORHJULSTAP/FUSO A SNODO - Siehe Seite(n) vorne/See page(s) before/Voir page(s) avant(es)/Se side(r) forrest/Vedere pagin(a/e) precedent(e/i)

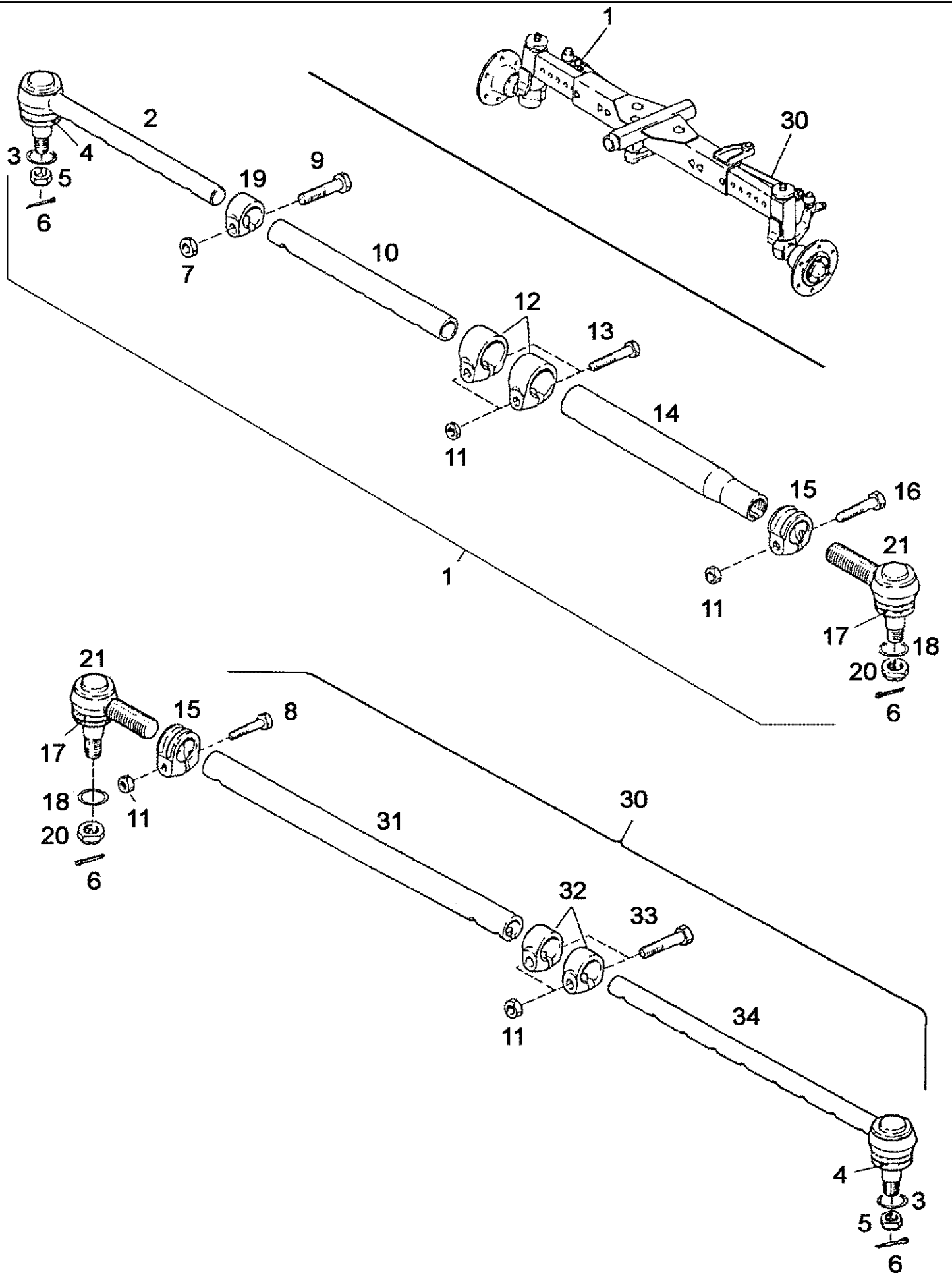


Ref	Onderdeelnummer	Kwt	Beschrijving
1	133700410259	1	VERBINDINGSSTUK, MIDDEN, , Einschließlich/Includes/Avec/Inklusive/Compreso 2, 3
2	133700410213	6	LAGERBUS,
3	1192410138	2	LAGERBUS,
4	133700410308	1	LAGERTAP, , Einschließlich/Includes/Avec/Inklusive/Compreso 29
5	133700410309	1	LAGERTAP, , Einschließlich/Includes/Avec/Inklusive/Compreso 29
7	190003963112	8	SMEERNIPPEL, , AM8x1
8	133700410292	1	STUURGEWRIGHT (COMPLEET),
9	133700410323	1	HOUDER,
10	190003963115	1	SMEERNIPPEL, , CM8x1
12	182220018	X	SLUITRING, , 0,1mm
12	182220019	X	SLUITRING, , 0,3mm
12	182220020	X	SLUITRING, , 0,5mm
12	180220025	X	SLUITRING, , 1,5mm
13	190003909672	1	SPANSTIFT, , 10x45
14	190003909644	1	SPANSTIFT, , 6x45
15	1295 410720	1	LEVER, STEERING, , Ersetzt/Replaces/Remplace/Udskiftet/Sostituisce 1-33-241-275
16	190003803960	4	SCHROEF, , M18x1,5x70-10.9
18	100092	4	MOER, M18 x 1.5, CI 8, , M18x1,5-10
20	190003888459	2	MOER, , VM16x1,5- 8
21	190003871341	2	MOER, , M16x1,5-10
22	1390410058	2	TAPEIND,
23	190003932018	2	WASHER, SPRING, , B16
24	190003932622	2	SCHIJF, , R17,5
25	133700410165	2	SLUITRING,
26	190003909731	2	SPANSTIFT, , 4x10
27	11800410049	2	RING, PACKING, , 50x6
28	133700410166	X	SLUITRING, , 0,125mm
28	133700410167	X	SLUITRING, , 0,5mm
28	133700410168	X	SLUITRING, , 0,7mm
30	1288410166	2	RING, PACKING, , 57,2x5,7
31	1295410060	2	SCHIJF,
41	133700410294	1	STUURGEWRIGHT (COMPLEET),
42	1288410146	2	SHEET,
43	1288410145	2	RACE,
44	1288410147	2	DRAAGFLENS VOOR AFDICHTIN,
45	190003326020	2	LAGER, KOGEL,
46	1-33-241-276	2	NAAF, , Ersetzt/Replaces/Remplace/Udskiftet/Sostituisce 1295410007
47	190003860004	10	SCHROEF, , G14x24-8.8
48	190003326218	2	LAGER, KOGEL,
49	190003963114	2	SMEERNIPPEL, , BM8x1
50	1190410031	2	SCHIJF,

Ref	Onderdeelnummer	Kwt	Beschrijving
51	1295410093	2	MOER,
52	11800410069	2	DICHTINGSRING,
53	1190410030	2	DEKSEL,
54	190003802503	6	SCHROEF, , M10x12-8.8
60		1	, SPURSTANGE /TRACK ROD ASSY / BARRE D'ACCOUPLLEMENT/ STYRESTANG/BARRA DI ACCOPPIAMENTO - Siehe nächste Seite(n)/See next page(s)/Voir page(s) suivante(s)/Se næste side(r)/Vedere pagin(a/e) sequent(e/i)
61		1	, ZYLINDER/CYLINDER/VERIN/CYLINDER/CILINDRO - Siehe nächste Seite(n)/See next page(s)/Voir page(s) suivante(s)/Se næste side(r)/Vedere pagin(a/e) sequent(e/i)
62		1	, SPURSTANGE/TRACK ROD ASSY/BARRE D'ACCOUPLLEMENT / STYRESTANG/BARRA DI ACCOPPIAMENTO - Siehe nächste Seite(n)/See next page(s)/Voir page(s) suivante(s)/Se næste side(r)/Vedere pagin(a/e) sequent(e/i)

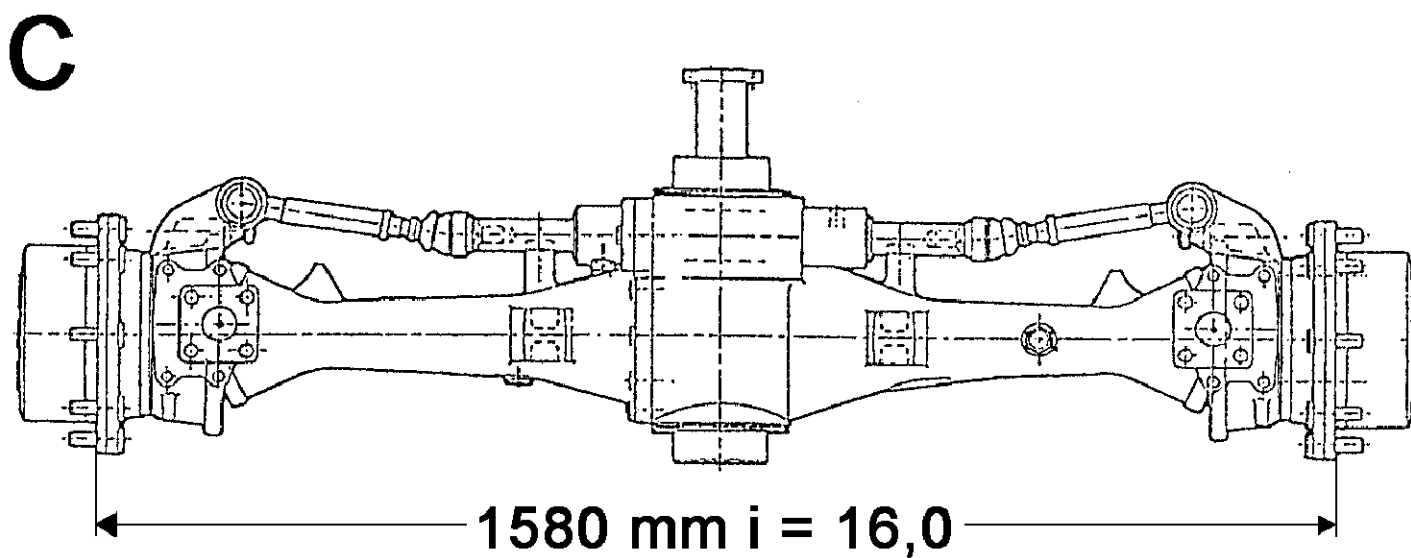
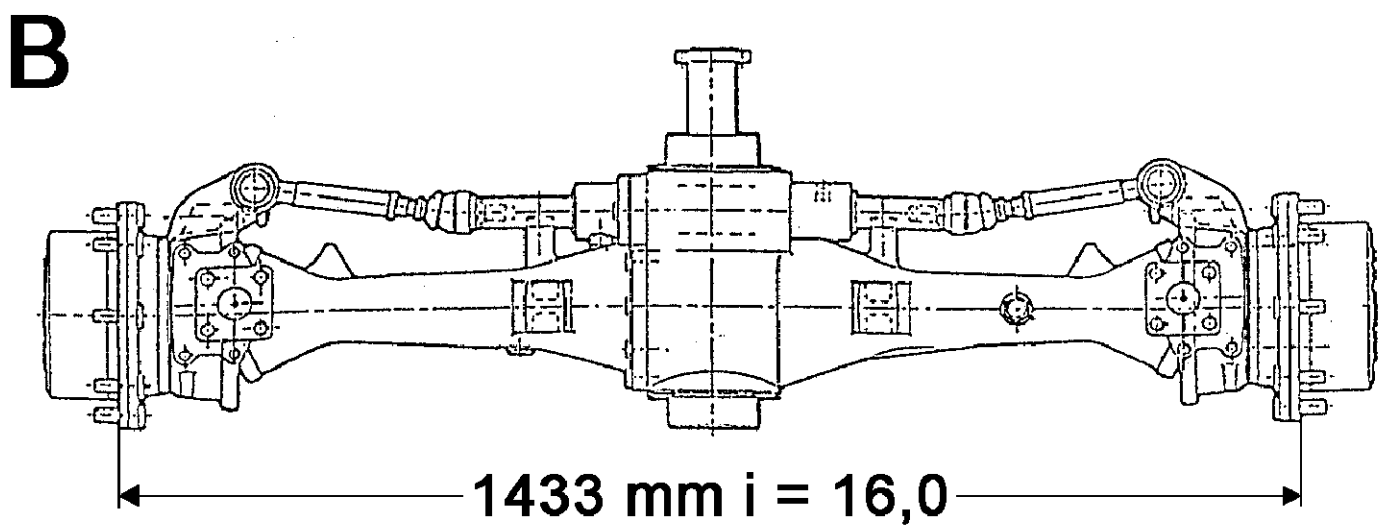
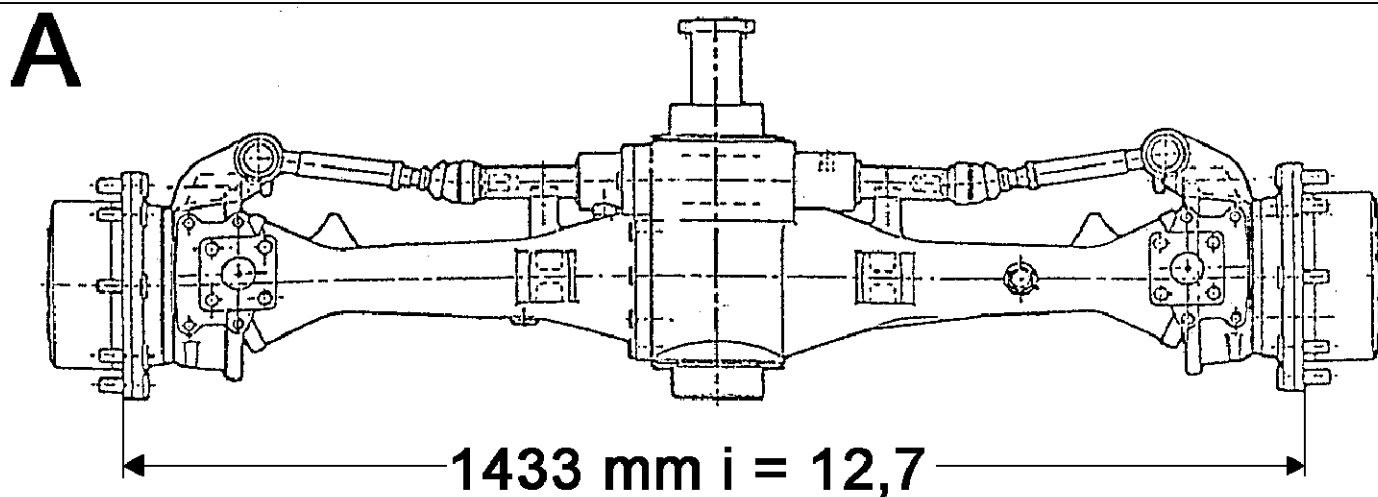


Ref	Onderdeelnummer	Kwt	Beschrijving
1	135700470047	1	SERVOSTUURCYLINDER, , Besteht aus/Consists of/Compose de/Bestående af/È composto da 4 - 15
2	133700470766	1	KIT, GASKET, , Besteht aus/Consists of/Compose de/Bestående af/È composto da 4 - 7, 9 - 11
3	135700471016	1	STAAK, , Besteht aus/Consists of/Compose de/Bestående af/È composto da 10 - 12
4	NSS	1	NIET ALLEEN VERKRIJGBAAR,
5	NSS	1	NIET ALLEEN VERKRIJGBAAR,
6	NSS	1	NIET ALLEEN VERKRIJGBAAR,
7	NSS	1	NIET ALLEEN VERKRIJGBAAR,
8	NSS	1	NIET ALLEEN VERKRIJGBAAR,
9	NSS	1	NIET ALLEEN VERKRIJGBAAR,
10	NSS	2	NIET ALLEEN VERKRIJGBAAR,
11	NSS	1	NIET ALLEEN VERKRIJGBAAR,
12	NSS	1	NIET ALLEEN VERKRIJGBAAR,
13	NSS	1	NIET ALLEEN VERKRIJGBAAR,
14	133700470768	1	KLEM,
20	1397470179	1	KOGELWRIGHT, , Einschließlich/Includes/Avec/Inklusive/Compreso 22 - 24
21	1397470175	1	KOGELWRIGHT, , Einschließlich/Includes/Avec/Inklusive/Compreso 22 - 24
22	190003872369	2	MOER, , M24x1,5
23	190003920431	2	SPLITPEN, , 5x40
24	190003963112	2	SMEERNIPPEL, , AM8x1
25	1397470742	2	FAIRING, LIGHT,

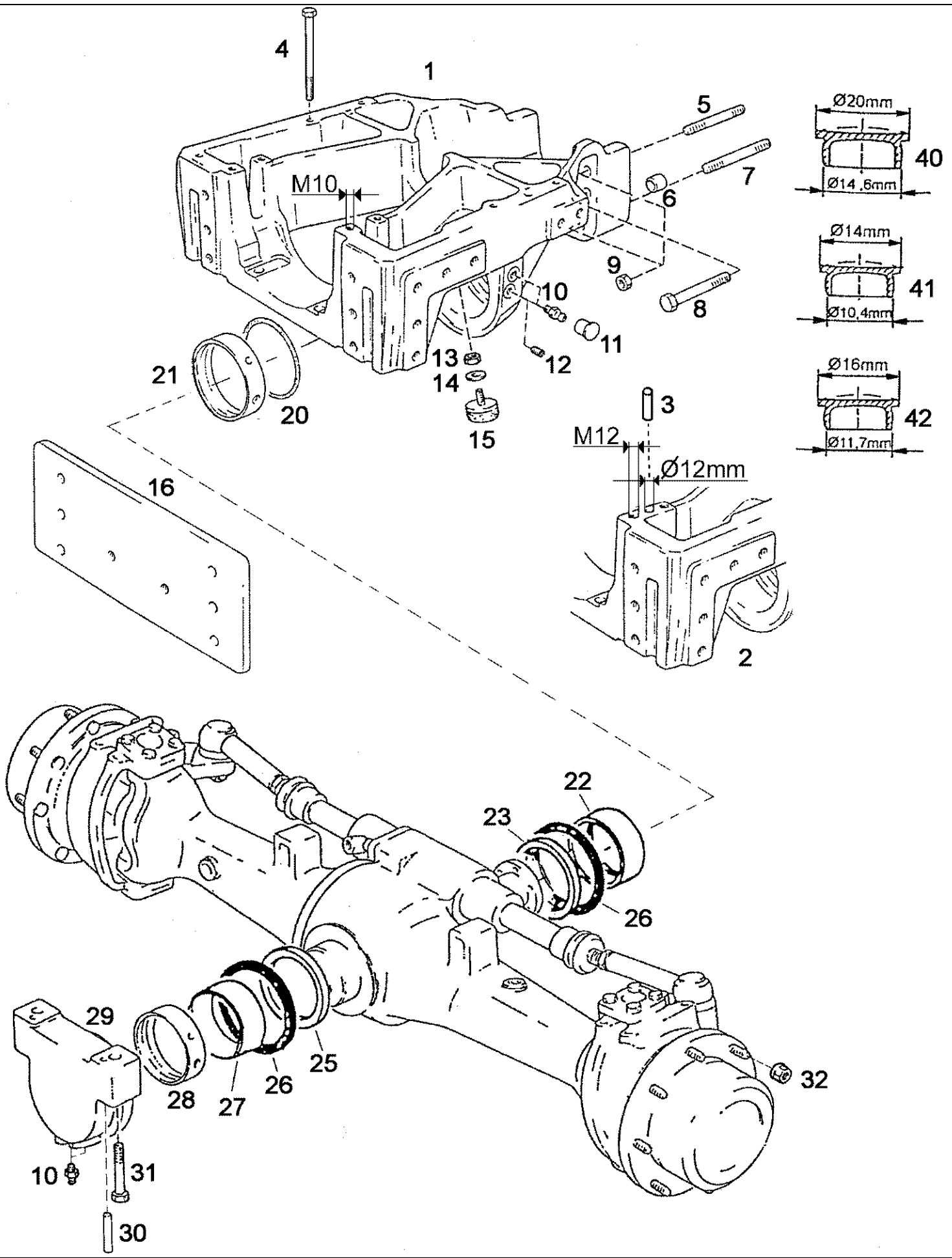




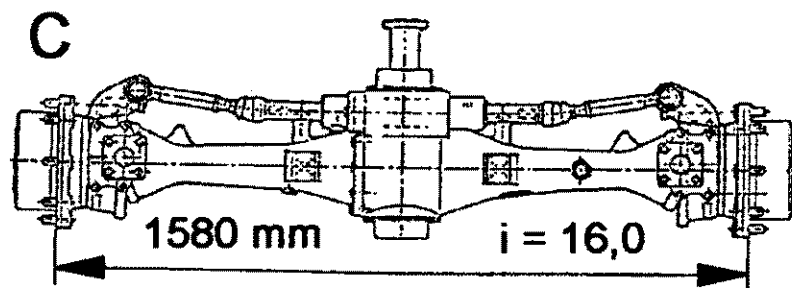
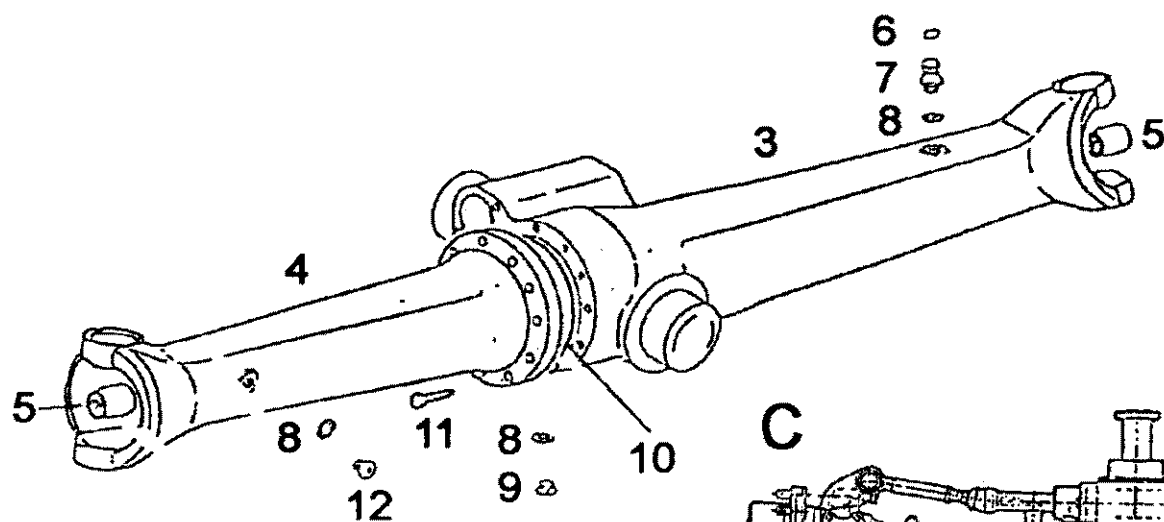
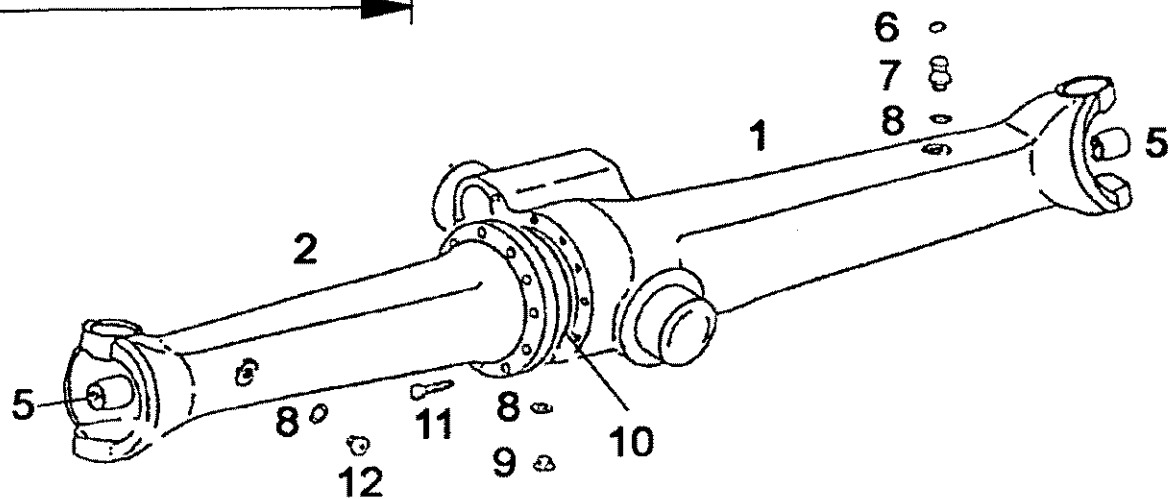
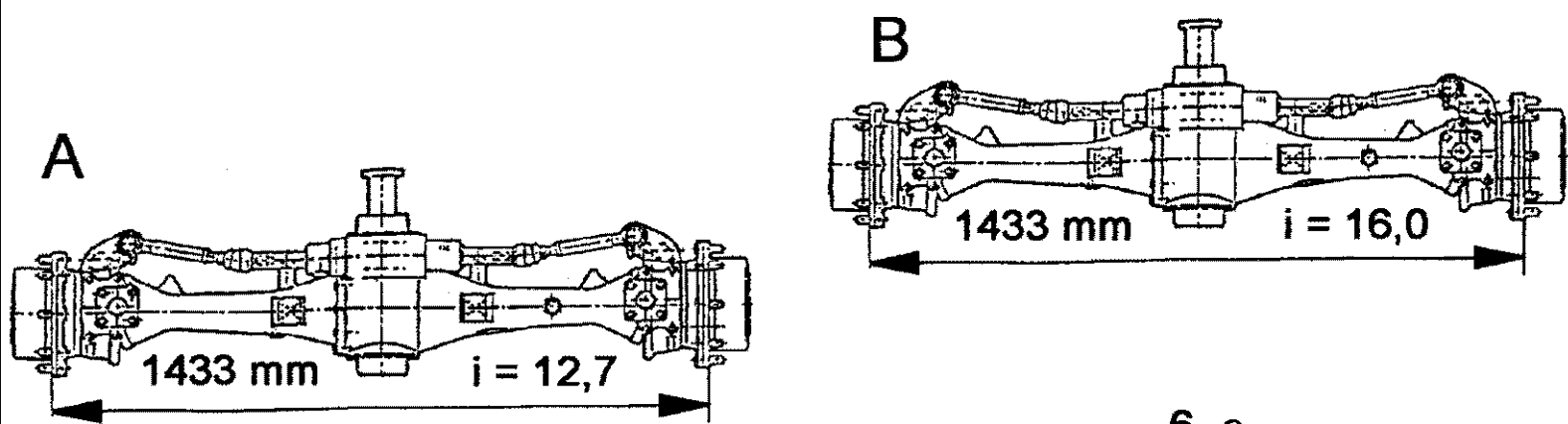
Ref	Onderdeelnummer	Kwt	Beschrijving
1	133700430090	1	TREKSTANG, , Rechts/Right/Droite/Højre/Destra - Besteht aus/Consists of/Compose de/Bestående af/È composto da 2 - 18, 20, 21
2	133700430736	1	KOPPELING, , Einschließlich/Includes/Avec/Inklusive/Compreso 3, 4, 16, 18
3	133700430739	2	RING,
4	133700430738	2	BLAASBALG,
5	190003872345	2	MOER, , M16x1,5
6	190003920347	4	SPLITPEN, , 4x32
7	190003888457	1	MOER, , VM12x1,5
8	190003803540	1	SCHROEF, , M10x1x45-10.9
9	190003803646	1	SCHROEF, , M12x1,5x50
10	133700430735	1	OPVULPIJP,
11	190003888615	6	MOER, , VM10x1
12	133700430730	2	KLEM,
13	190003803550	2	SCHROEF, , M10x1x55
14	133700430734	1	OPVULPIJP,
15	133700430729	2	KLEM,
16	190003803540	1	SCHROEF, , M10x1x45-10.9
17	133700430728	2	BLAASBALG,
18	133700430740	2	RING,
19	133700430732	1	KLEM,
20	190003872351	2	MOER, , M18x1,5
21	133700430727	2	KOGELWRIGHT, , Einschließlich/Includes/Avec/Inklusive/Compreso 6, 17, 18, 20
30	133700430089	1	TREKSTANG, , Links/Left/Gauche/Venstre/Sinistro - Besteht aus/Consists of/Compose de/Bestående af/È composto da 3 - 6, 8, 11, 15, 17, 18, 20, 21, 31 - 34
31	133700430733	1	OPVULPIJP,
32	133700430731	2	KLEM,
33	190003803541	2	SCHROEF, , M10x1x50-10.9
34	133700430737	1	KOPPELING, , Einschließlich/Includes/Avec/Inklusive/Compreso 3 - 6



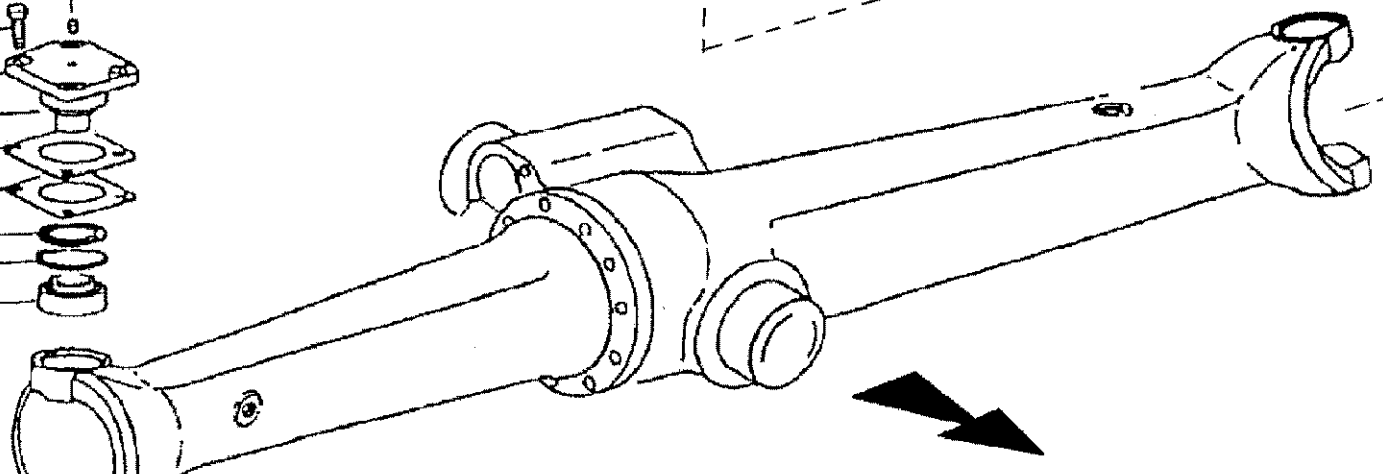
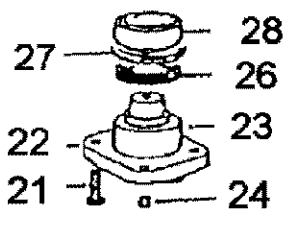
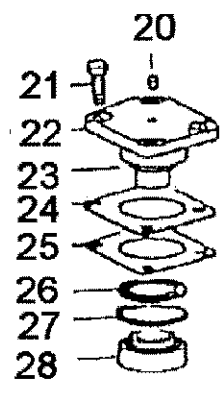
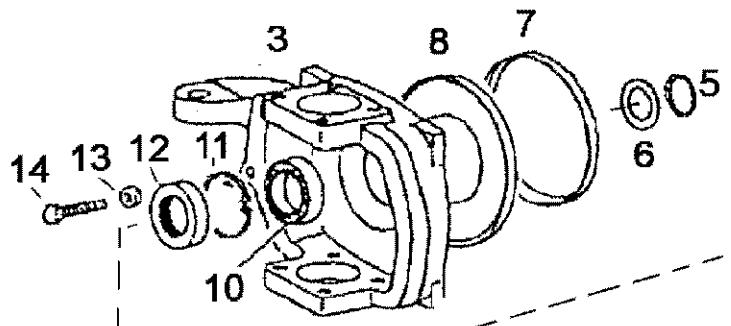
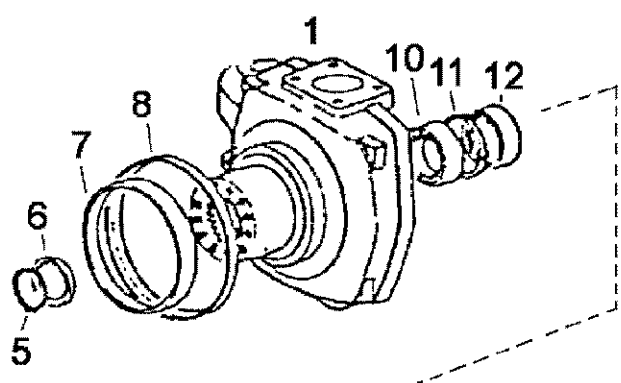
Ref	Onderdeelnummer	Kwt	Beschrijving
A	1-33-341-012	1	4WD-AS (COMPLEET), , B 214 i = 12,7 - Für/For/Pour/Til/Per 955A - Siehe nächste Seite(n)/See next page(s)/Voir page(s) suivante(s)/Se næste side(r)/Vedere pagin(a/e) sequent(e/i)
C	1-33-341-011	1	4WD-AS (COMPLEET), , B 216 LS i = 16,0, mit Sperrdifferential/with locking differential/avec différentiall autobloquant/Med differentialspærre/Con blocco differenziale - Für/For/Pour/Til/Per 964A, 970A - Siehe nächste Seite(n)/See next page(s)/Voir page(s) suivante(s)



Ref	Onderdeelnummer	Kwt	Beschrijving
1	1-33-241-120	1	CARRIER, AXLE, , ----> ..... / Ersetzt/Replaces/Remplace/Udskiftet/Sostituisce 1-33-241-020
2	1-33-241-230	1	CARRIER, AXLE, , ..... ----> / Ersetzt/Replaces/Remplace/Udskiftet/Sostituisce 1-33-241-120, 1-33-241-130
3	1-33-121-008	2	STEL PEN,
4	190003800180	2	SCHROEF, , M12x150-8.8
5	190003810087	2	TAPEIND, , M18x130-10.9
6	1-33-141-016	2	LAGER,KOPPELING DRUKPLAA,
7	190003810099	2	TAPEIND, , M18x140-10.9
8	190003800353	2	SCHROEF, , M18x140-10.9
9	190003870031	4	MOER, , M18-10
10	190003963112	3	SMEERNIPPEL, , AM8x1
11	199000520096	1	FAIRING, LIGHT,
12	190003962007	1	SCHROEF, , M8x1
13	190003888452	2	MOER, , VM10-8
14	190003936107	2	SLUITRING, , 10,5
15	1-33-141-011	2	MOER,
16		1	, PLATTE/PLATE/PLAQUE/PLADE/PIASTRA - Siehe Kapitel 09C/See chapter 09C/Voir chapitre 09C/Se kapitel 09C/Vedere capitolo 09C
20	1-33-141-026	1	O-RING, , Ø122x130
21	1-33-141-040	1	LAGERBUS, , Ersetzt/Replaces/Remplace/Udskiftet/Sostituisce 1-33-141-010
22	1-33-141-024	1	LAGERBUS, , Ø120x123; 50
23	1-33-141-021	1	RING, , Ø123x144; 10
25	1-33-141-022	1	AFSTANDSRING,
26	1-33-141-018	2	SEGMENTRING,
27	1-33-141-023	1	BUSHING, LARGE, , Ø110x120; 50
28	1-33-141-045	1	LAGERBUS, , Ersetzt/Replaces/Remplace/Udskiftet/Sostituisce 1-33-141-015
29	1-33-241-023	1	LAGER, , Ersetzt/Replaces/Remplace/Udskiftet/Sostituisce 1-33-241-022
30	1-33-141-017	2	PEN, , Ø9,7mm x80mm
31	190003800018	2	SCHROEF, , M16x95-10.9
32	190003884236	16	MOER, , A18-8
40	190003171679	14	PLUG, , A14,6x9,5
41	190003171877	8	PLUG, , A10,4x5,5
42	190003179427	2	PLUG, , A11,7x7

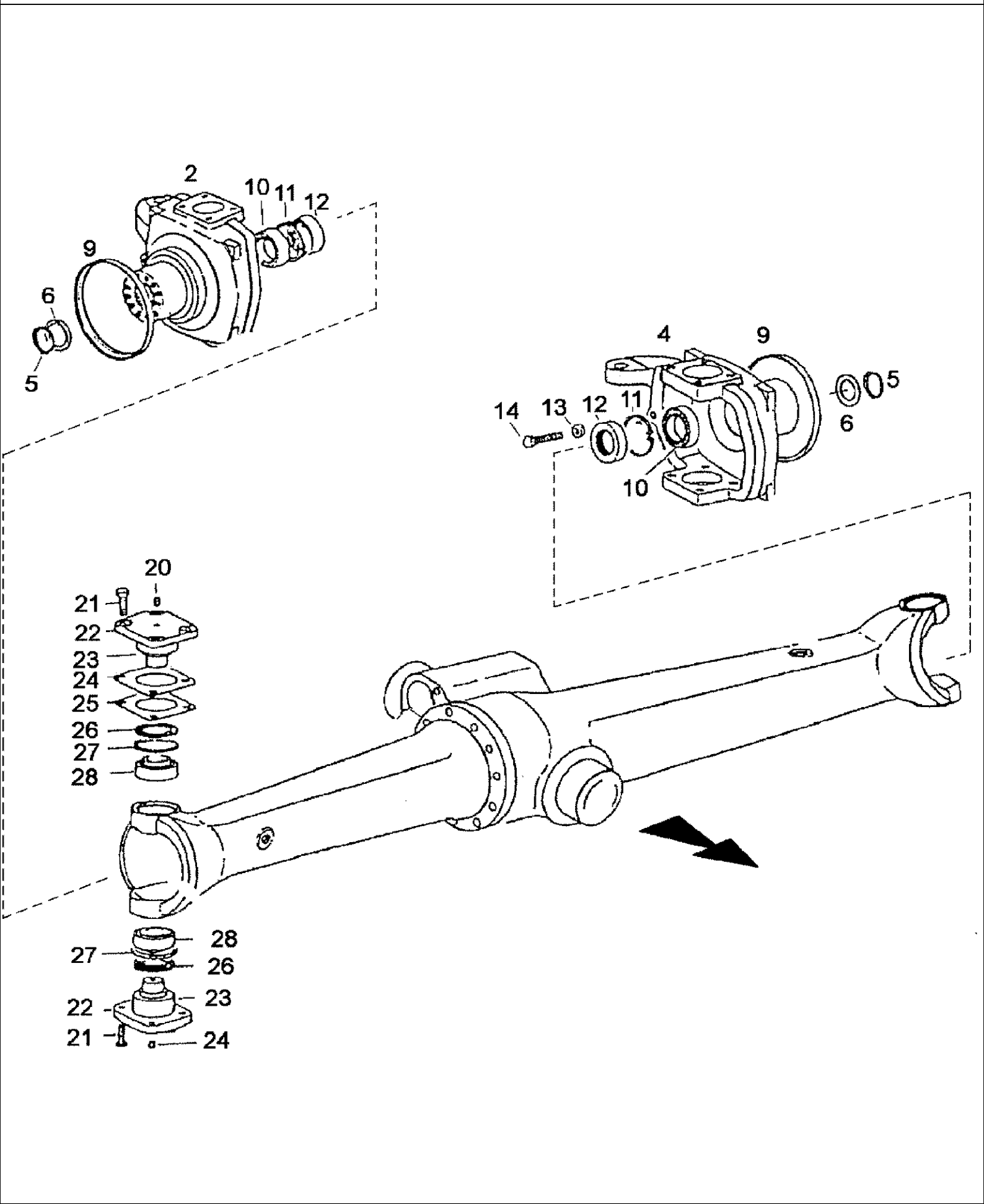


Ref	Onderdeelnummer	Kwt	Beschrijving
1	1-33-741-002	1	SHAFT HOUSING, , Einschließlich/Includes/Avec/Inklusive/Compreso 5 - 9
2	1-33-741-003	1	SHAFT HOUSING, , Einschließlich/Includes/Avec/Inklusive/Compreso 5, 8, 12
3	1-33-741-020	1	SHAFT HOUSING, , Einschließlich/Includes/Avec/Inklusive/Compreso 5 - 9
4	1-33-741-021	1	SHAFT HOUSING, , Einschließlich/Includes/Avec/Inklusive/Compreso 5, 8, 12
5	98-046329	2	LAGERBUS,
6	137700410706	1	O-RING,
7	135700411003	1	SCHROEF, ONTLUCHTING,
8	190003098033	3	DICHTINGSRING, , A26x34-CU
9	1397411027	1	SCHROEF,
10	137700411003	1	O-RING,
11	190003800716	11	SCHROEF, , M14x40-10.9
12	1-33-741-004	1	SCHROEF,

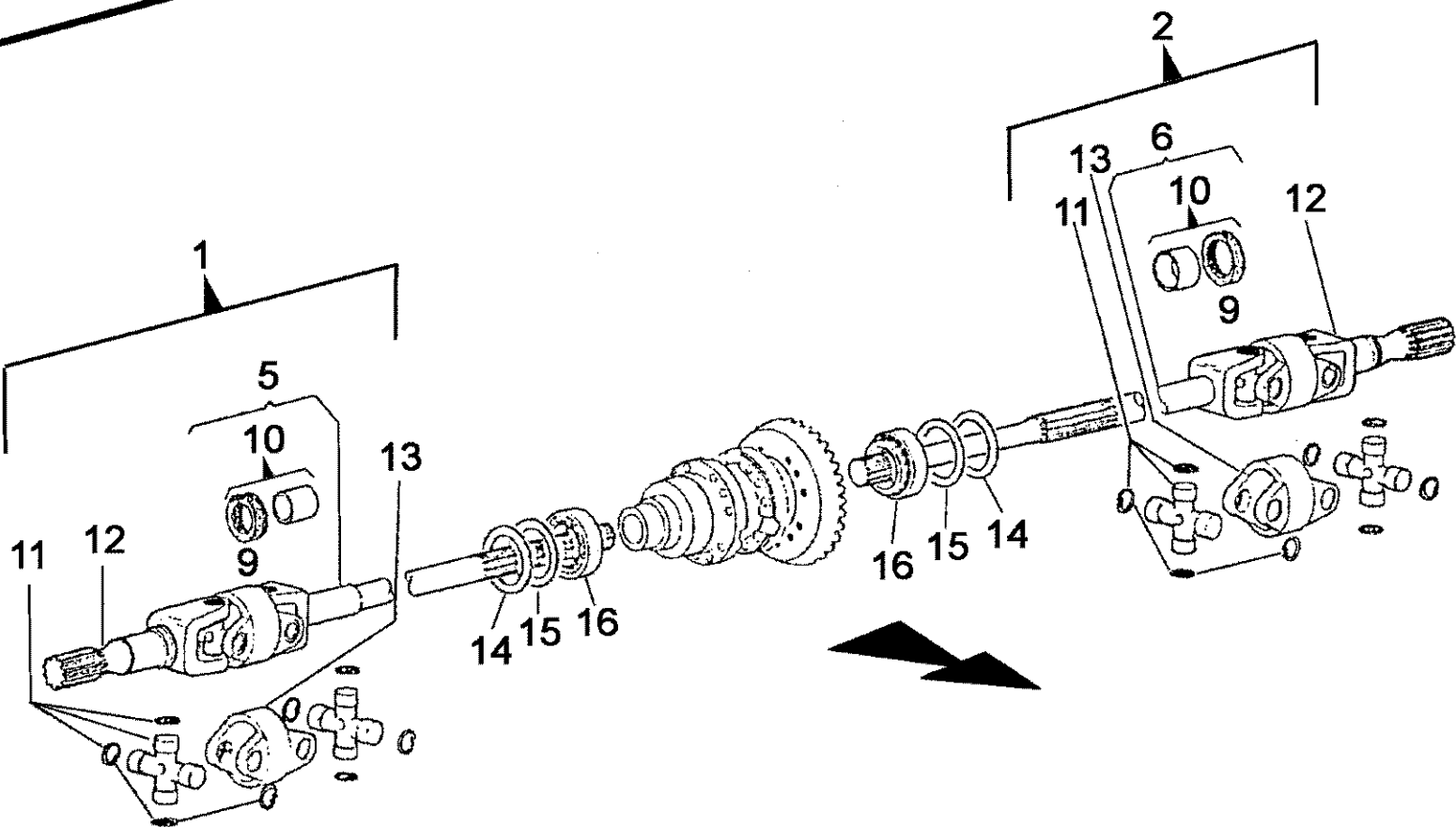
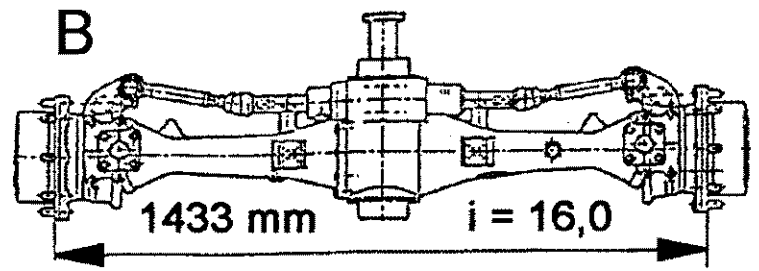
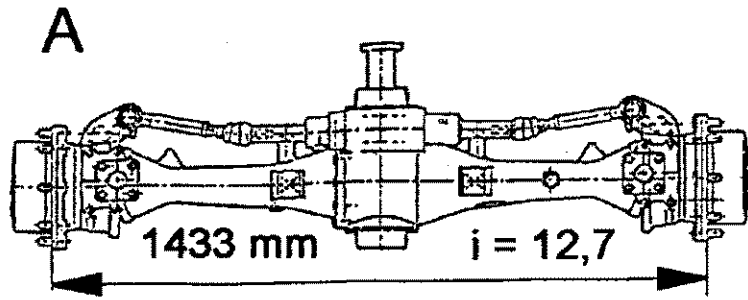




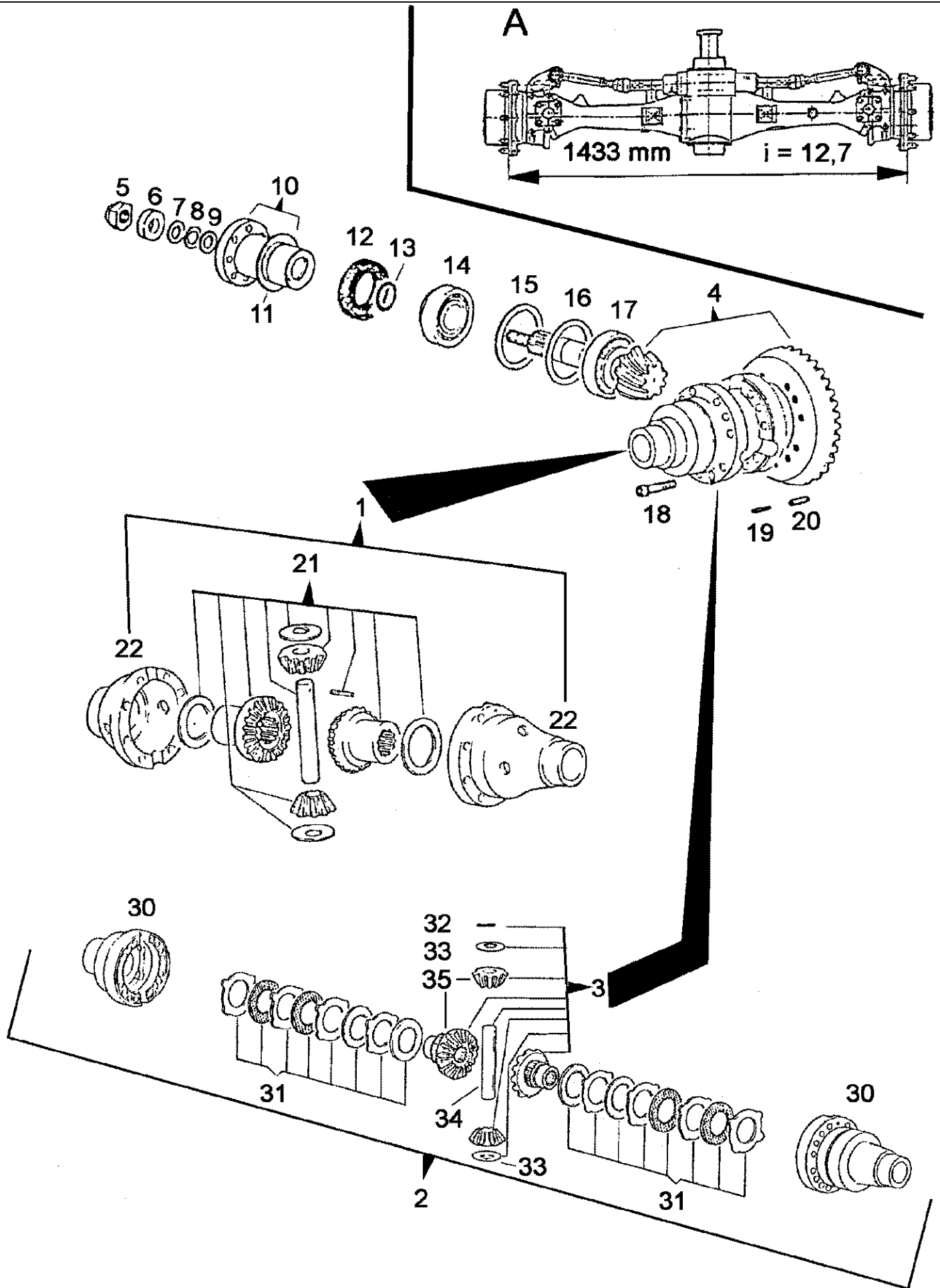
Ref	Onderdeelnummer	Kwt	Beschrijving
1	1-33-741-009	1	HUIS, , Einschließlich/Includes/Avec/Inklusive/Compreso 7, 8
3	1-33-741-010	1	HUIS, , Einschließlich/Includes/Avec/Inklusive/Compreso 7, 8
5	1-33-741-008	2	BOORGVEER,
6	1-33-741-007	2	SCHIJF,
7	135700411076	2	RACE,
8	135700411060	2	RESERVERING,
10	1-33-741-006	2	LAGER, KOGEL,
11	1-33-741-005	2	BOORGVEER,
12	1397421043	2	DICHTINGSRING, , 58x80x16,5
13	135700411065	2	MOER,
14	135700411064	2	SCHROEF,
20	131700411016	4	SCHROEF, , M10x12
21	190003802639	16	SCHROEF, , M12x40-10.9
22	1-33-741-015	4	BEARING COVER,
23	1-33-741-014	4	PIN, PIVOT,
24	135700411052	2	SCHIJF, , 0,2mm
25	135700411053	2	DIKTEPLAAT, , 0,5mm
26	1-33-741-013	4	RING, PACKING,
27	1-33-741-012	4	RACE,
28	135700411005	4	LAGER, ROL,



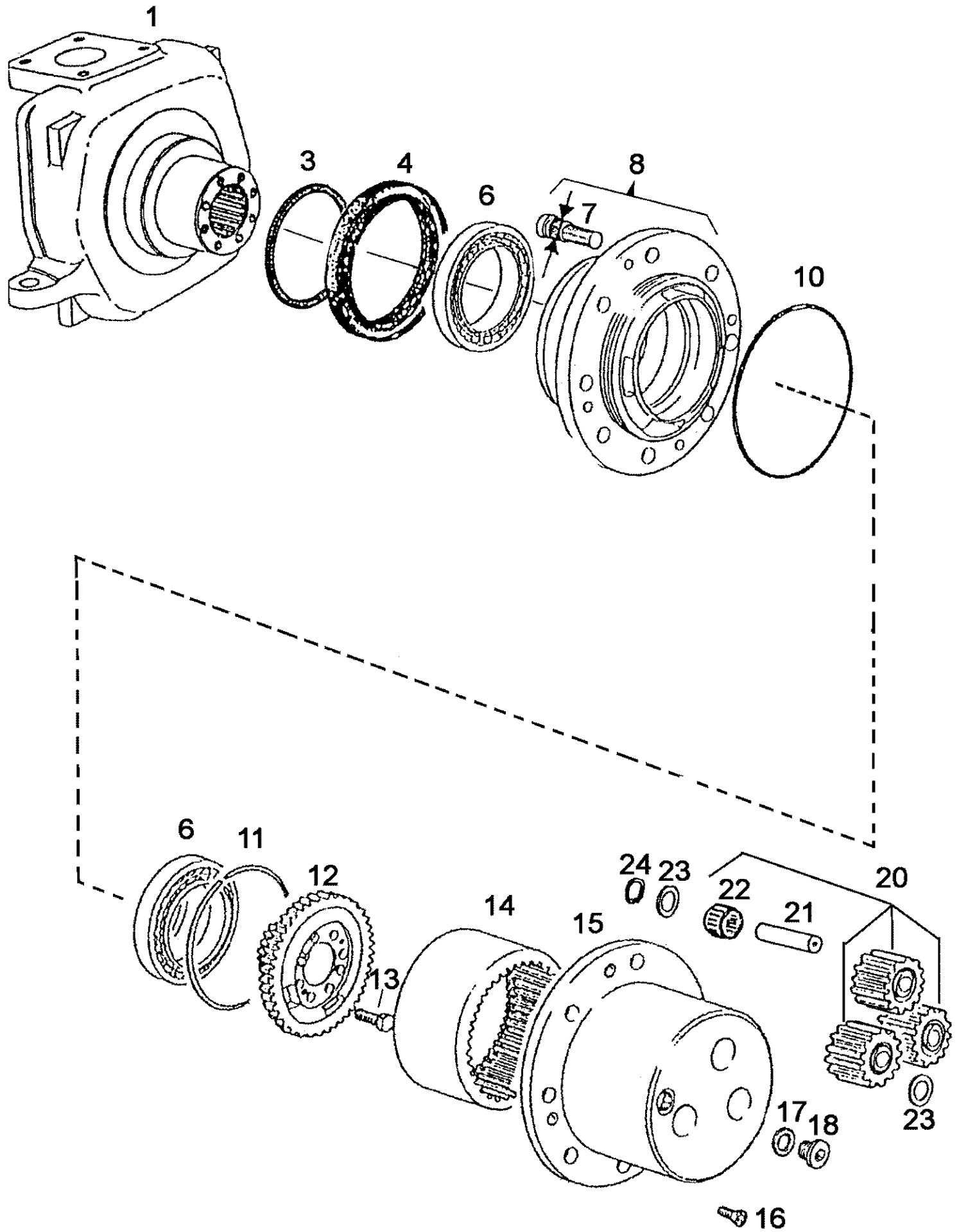
Ref	Onderdeelnummer	Kwt	Beschrijving
2	1-33-741-029	1	HUIS, , Einschließlich/Includes/Avec/Inklusive/Compreso 9
4	1-33-741-030	1	HUIS, , Einschließlich/Includes/Avec/Inklusive/Compreso 9
5	1-33-741-008	2	BOORGVEER,
6	1-33-741-007	2	SCHIJF,
9	137700411005	2	RING,
10	1-33-741-006	2	LAGER, KOGEL,
11	1-33-741-005	2	BOORGVEER,
12	1397421043	2	DICHTINGSRING, , 58x80x16,5
13	135700411065	2	MOER,
14	135700411064	2	SCHROEF,
20	131700411016	4	SCHROEF, , M10x12
21	190003802639	16	SCHROEF, , M12x40-10.9
22	1-33-741-015	4	BEARING COVER,
23	1-33-741-014	4	PIN, PIVOT,
24	135700411052	2	SCHIJF, , 0,2mm
25	135700411053	2	DIKTEPLAAT, , 0,5mm
26	1-33-741-013	4	RING, PACKING,
27	1-33-741-012	4	RACE,
28	135700411005	4	LAGER, ROL,



Ref	Onderdeelnummer	Kwt	Beschrijving
1	1-33-742-055	1	SHAFT, LONG, , Besteht aus/Consists of/Compose de/Bestående af/È composto da 5, 10 - 13
2	1-33-742-049	1	KROONWIEL, , Besteht aus/Consists of/Compose de/Bestående af/È composto da 6, 10 - 13
5	1-33-742-056	1	FORK, LONG SHAFT, , Einschließlich/Includes/Avec/Inklusive/Compreso 10
6	1-33-742-050	1	FORK, SHORT SHAFT, , Einschließlich/Includes/Avec/Inklusive/Compreso 10
9	1-33-742-072	2	DICHTINGSSTUK, , Ø45x65;18,5
10	1-33-742-051	2	BUSHING, LARGE, , Ø40x65;18,5 - Einschließlich/Includes/Avec/Inklusive/Compreso 9
11	1-33-742-054	4	JOINT, SPIDER,
12	1-33-742-052	2	FORK, LONG SHAFT,
13	1-33-742-053	2	KOPPELING,
14	133700421001	2	SLUITRING, , 0,5mm
15	133700421002	2	SLUITRING, , 0,2mm
16	135700421049	2	LAGER, ROL,

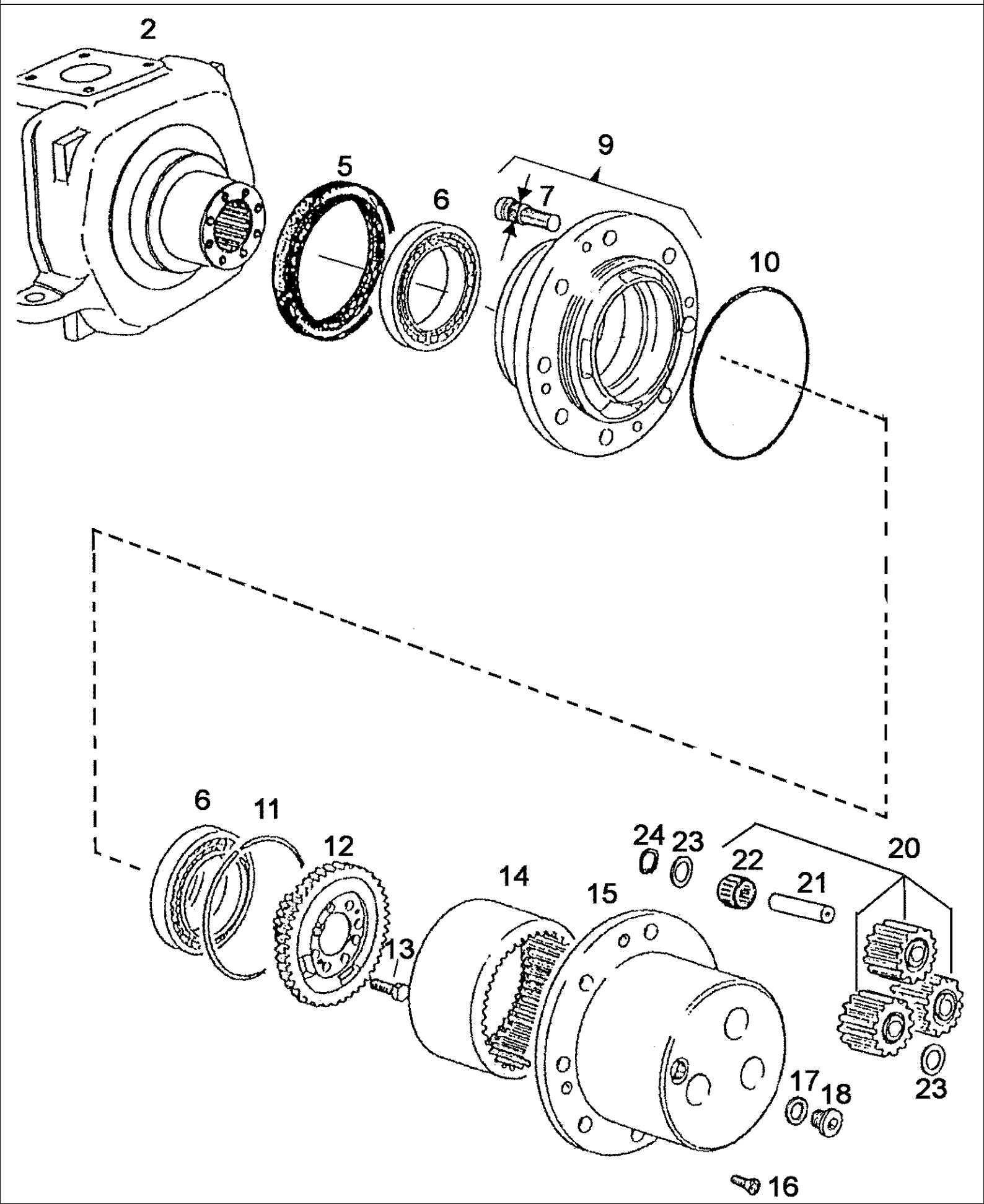


Ref	Onderdeelnummer	Kwt	Beschrijving
1	135700421050	1	DIFFERENTIEEL, , Besteht aus/Consists of/Compose de/Bestående af/È composto da 21, 22
2	135700421075	1	LOCK, DIFFERENTIAL, , Besteht aus/Consists of/Compose de/Bestående af/È composto da 3, 30 - 34
3	135700421077	1	SET,
4	1-33-742-040	1	PINION, CONE, , 14/32T, Siehe Seite(n) vorne/See page(s) before/Voir page(s) avant(es)/Se side(r) forrest/Vedere pagin(a/e) precedent(e/i)
5	1-33-742-048	1	MOER,
6	1-33-742-047	1	SCHIJF,
7	1-33-742-046	X	SLUITRING, , 0,50mm
8	1-33-742-045	X	SLUITRING, , 0,20mm
9	1-33-742-044	X	SLUITRING, , 0,15mm
10	1-33-742-042	1	FLENS, , Einschließlich/Includes/Avec/Inklusive/Compreso 11
11	1-33-742-043	1	RING,
12	1397421032	1	DICHTINGSRING,
13	1-33-742-041	1	O-RING,
14	135700421052	1	LAGER, KOGEL,
15	137700421008	X	INTELSCHIJF, , Ø80x89,5; 0,5
16	137700421007	X	INTELSCHIJF, , Ø80x89,5; 0,2
17	190003326072	1	LAGER,
18	190003862540	12	SCHROEF, , M10x45-10.9
19	190003909644	4	SPANSTIFT, , 6x45
20	190003909672	4	SPANSTIFT, , 10x45
21	135700421051	1	GEAR-SET,
22	135700421039	2	HUIS,
30	135700421076	2	HUIS,
31	135700421078	2	STEL ONDERDELEN,
32	135700421061	1	SPLITPEN/VEILIGHEIDSPEN,
33	135700421079	2	WASHER, THRUST,
34	135700421038	1	SHAFT, GEAR,
35	NSS	1	NIET ALLEEN VERKRIJGBAAR,

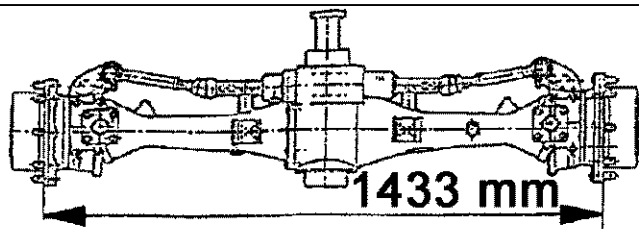




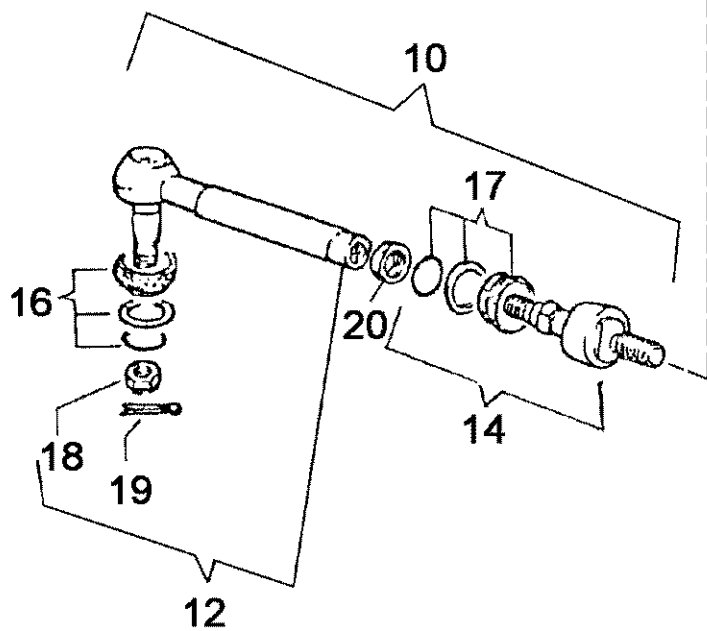
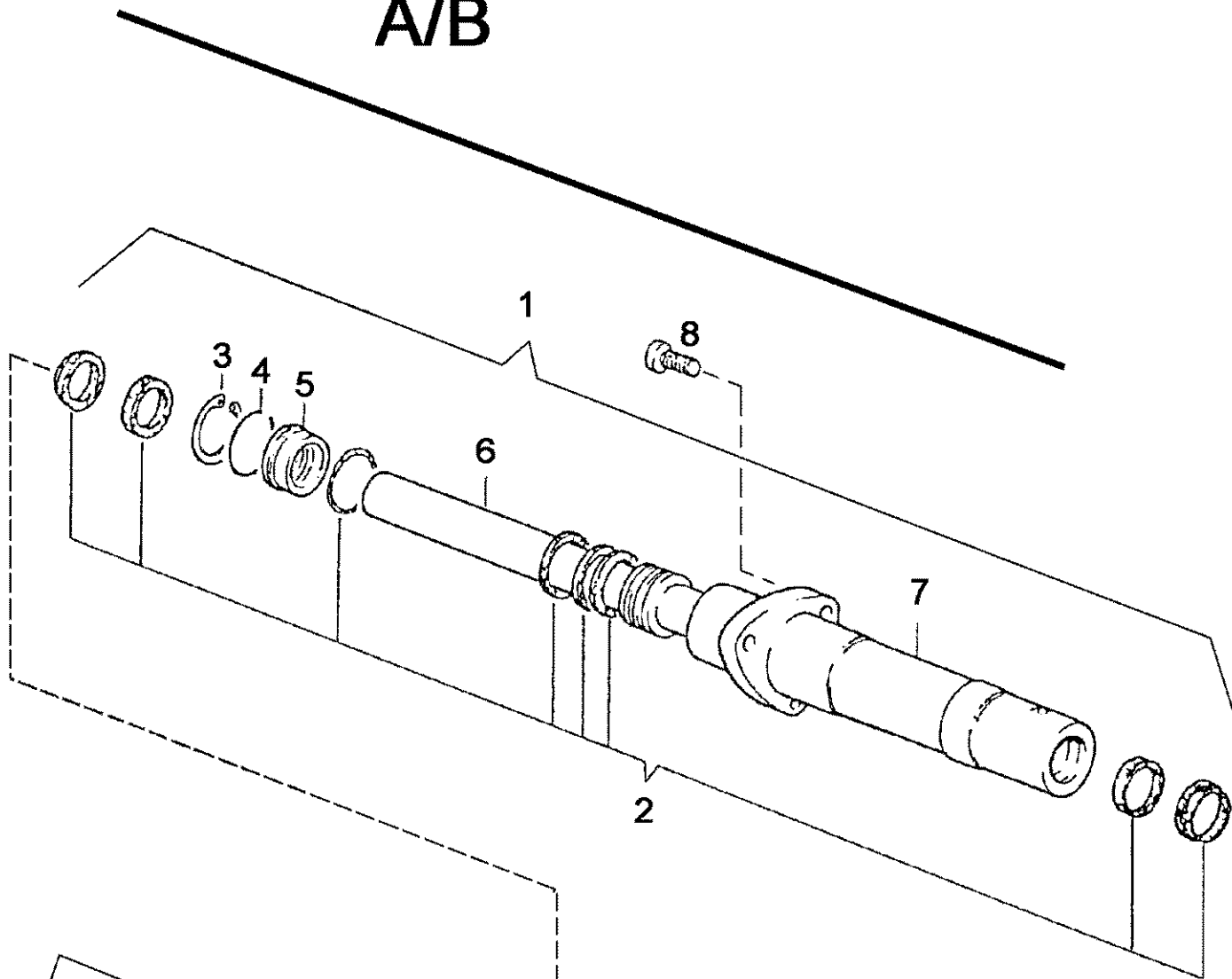
Ref	Onderdeelnummer	Kwt	Beschrijving
1		2	, GEHÄUSE/HOUSING/CARTER/HUS/SCATOLA - Siehe Seite(n) vorne/See page(s) before/Voir page(s) avant(es)/Se side(r) forrest/Vedere pagin(a/e) precedent(e/i)
3	135700421056	2	DICHTINGSRING,
4	135700421057	2	DICHTINGSSTUK,
6	135700421058	4	LAGER, KOGEL,
7	135700411021	X	PIN, LARGE, , Ø22mm
7	1-33-741-031	X	PIN, LARGE, , Ø23,5mm
8	1-33-741-017	2	NAAF, , Einschließlich/Includes/Avec/Inklusive/Compreso 7
10	1-33-741-022	2	RING, PACKING,
11	1-33-741-018	2	BORGPLAAT,
12	1-33-741-019	2	TANDWIEL,
13	135700411070	24	SCHROEF, , M10x35-10,9
14	1-33-742-061	2	KROONWIEL,
15	1-33-741-001	2	DRAGER, TANDWIELEN,
16	190003862031	4	SCHROEF, , M10x20-10.9
17	190003098033	2	DICHTINGSRING, , A26x34-CU
18	1397411027	2	SCHROEF,
20	1-33-742-057	2	STEL ONDERDELEN, , Einschließlich/Includes/Avec/Inklusive/Compreso 21, 22
21	1-33-742-058	6	PIN, LARGE,
22	1-33-742-059	6	LAGER, NAALD,
23	137700420722	12	WASHER, THRUST,
24	1-33-742-060	6	SLUITRING,



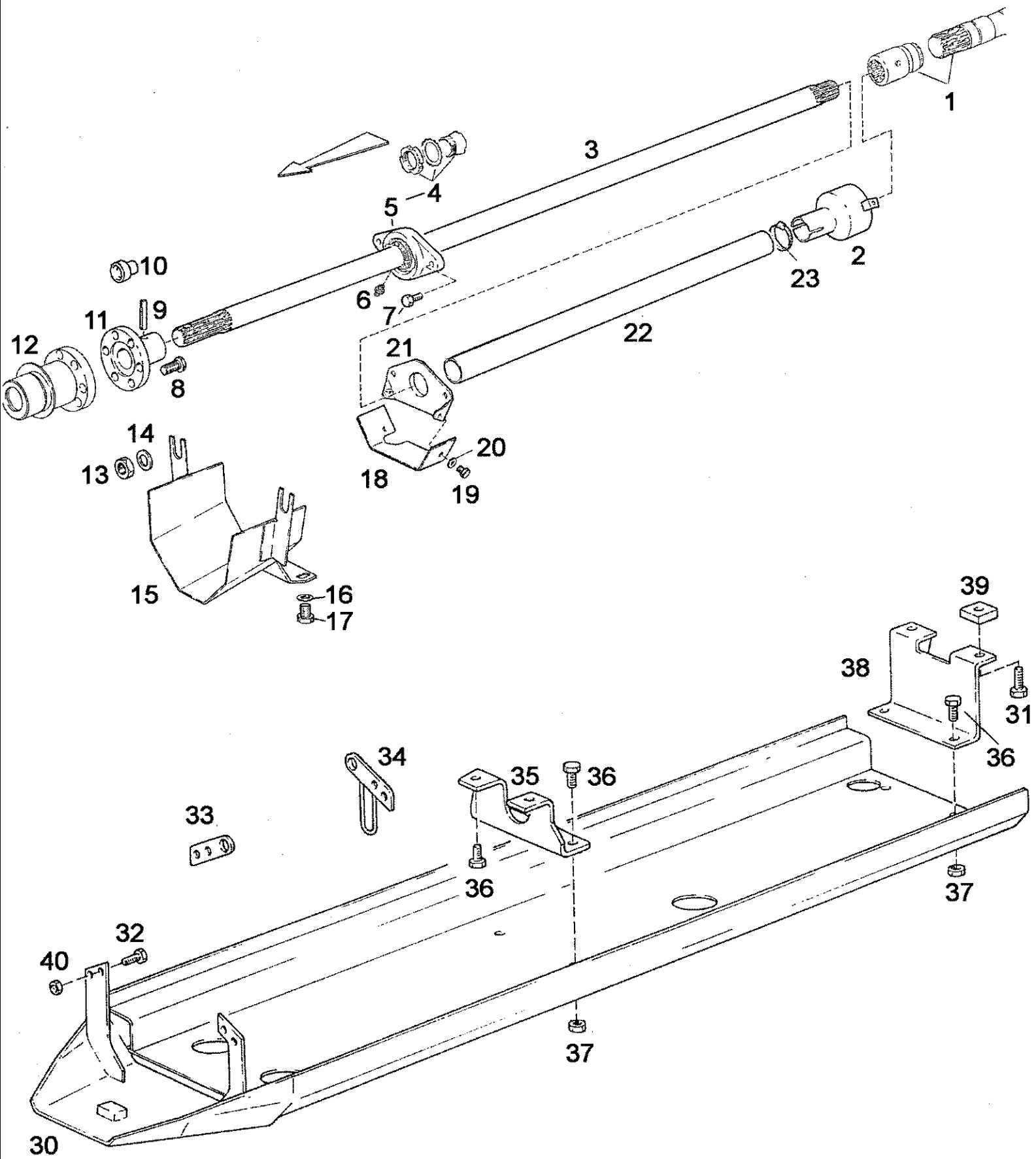
Ref	Onderdeelnummer	Kwt	Beschrijving
2		2	, GEHÄUSE/HOUSING/CARTER/HUS/SCATOLA - Siehe Seite(n) vorne/See page(s) before/Voir page(s) avant(es)/Se side(r) forrest/Vedere pagin(a/e) precedent(e/i)
5	1-33-741-027	2	RING, PACKING,
6	135700421058	4	LAGER, KOGEL,
7	135700411021	X	PIN, LARGE, , Ø22mm
7	1-33-741-031	X	PIN, LARGE, , Ø23,5mm
9	1-33-741-028	2	NAAF, , Einschließlich/Includes/Avec/Inklusive/Compreso 7
10	1-33-741-022	2	RING, PACKING,
11	1-33-741-018	2	BORGPLAAT,
12	1-33-741-019	2	TANDWIEL,
13	135700411070	24	SCHROEF, , M10x35-10,9
14	1-33-742-061	2	KROONWIEL,
15	1-33-741-001	2	DRAGER, TANDWIELEN,
16	190003862031	4	SCHROEF, , M10x20-10.9
17	190003098033	2	DICHTINGSRING, , A26x34-CU
18	1397411027	2	SCHROEF,
20	1-33-742-057	2	STEL ONDERDELEN, , Einschließlich/Includes/Avec/Inklusive/Compreso 21, 22
21	1-33-742-058	6	PIN, LARGE,
22	1-33-742-059	6	LAGER, NAALD,
23	137700420722	12	WASHER, THRUST,
24	1-33-742-060	6	SLUITRING,



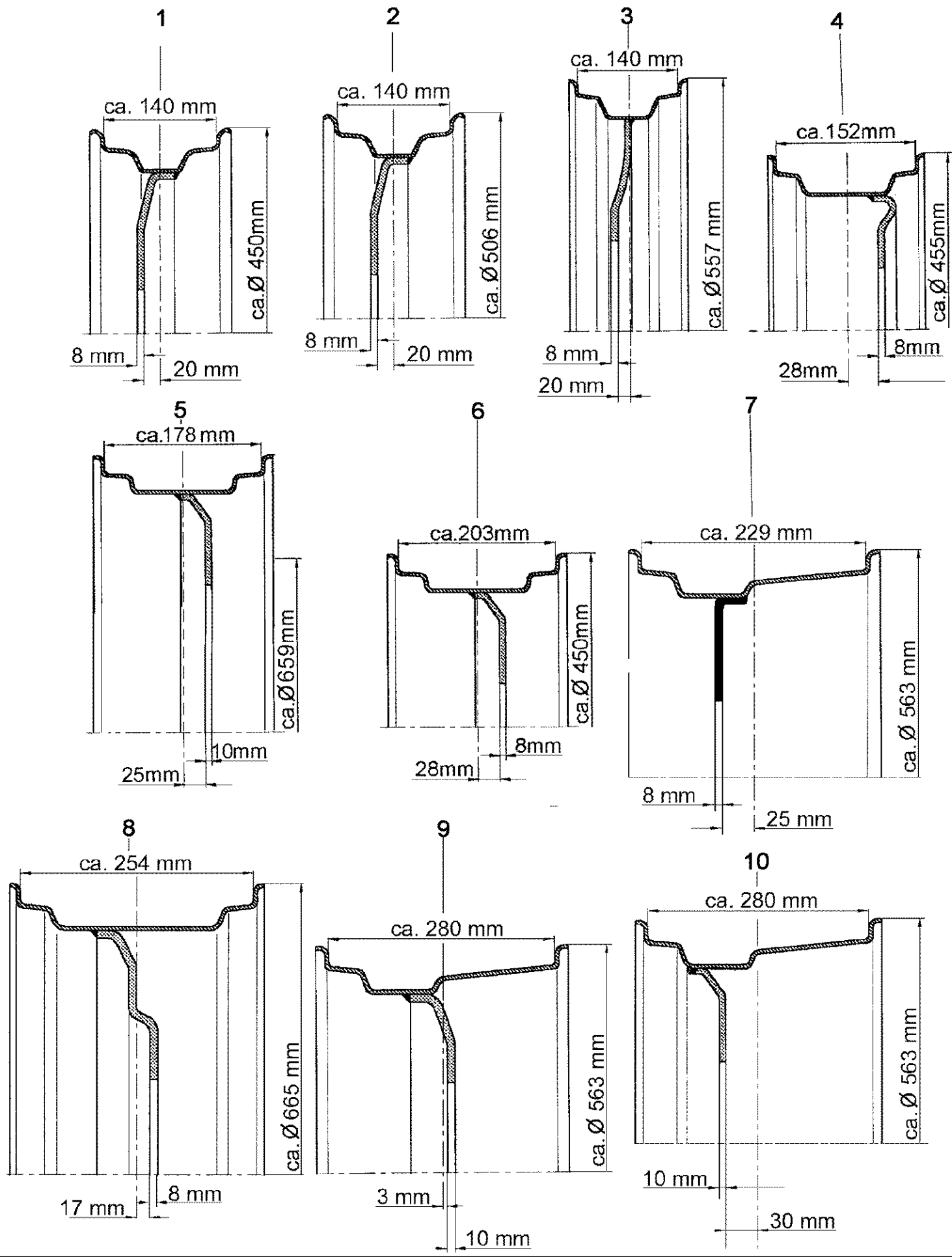
A/B



Ref	Onderdeelnummer	Kwt	Beschrijving
1	1-33-747-002	1	CYLINDER STEERING, , Besteht aus/Consists of/Compose de/Bestående af/È composto da 2 - 7
2	1-33-747-001	1	KIT, GASKET,
3	1-33-747-005	1	BOORGVEER,
4	1-33-747-006	1	SLUITRING,
5	1-33-747-007	1	SLEEVE,
6	1-33-747-003	1	STAAK,
7	1-33-747-004	1	CYLINDER,
8	135700421064	3	SCHROEF,
10	1-33-743-001	2	TREKSTANG, , Besteht aus/Consists of/Compose de/Bestående af/È composto da 12, 14
12	1-33-743-002	2	KOGELWRIGHT, , Einschließlich/Includes/Avec/Inklusive/Compreso 16, 18, 19
14	1-33-743-003	2	KOPPELING, , Einschließlich/Includes/Avec/Inklusive/Compreso 17
16	1-33-743-007	2	KIT, GASKET,
17	1-33-743-008	2	KIT, GASKET,
18	190003872359	2	MOER, , M20x1,5
19	190003920361	2	SPLITPEN, , 4x40
20	1-33-743-004	2	MOER,



Ref	Onderdeelnummer	Kwt	Beschrijving
1		1	, ANTRIEBSWELLE/SHAFT, DRIVE/ARBRE D'ENTRAINEMENT/DRIVAKSEL/ALBERO MOTORE - Siehe Kapitel 06/See chapter 06/Voir chapitre 06/Se kapitel 06/Vedere capitolo 06
2		1	, SCHUTZABDECKUNG/COVER, PROTECTIVE/RECOUVREMENT/BESKYTTELSESAFDÆKNING/COPERTURA PROTETTIVA - Siehe Kapitel 06/See chapter 06/Voir chapitre 06/Se kapitel 06/Vedere capitolo 06
3	1-33-131-007	1	AS,
4	135700310701	1	SET,
5	1-33-131-035	1	HUIS, , Einschließlich/Includes/Avec/Inklusive/Compreso 4 - Ersetzt/Replaces/Remplace/Udskiftet/Sostituisce 135700310015
6	190003963112	1	SMEERNIPPEL, , AM8x1
7	11106231	2	BOUT, Hex, M10 x 25, 10.9, Full Thd, , M10x25-8.8
8	190003802623	6	SCHROEF, , M12x30-10.9
9	190003909656	1	SPANSTIFT, , 8x45
10	1-33-131-064	1	STOOTSTUK, , Ersetzt/Replaces/Remplace/Udskiftet/Sostituisce 9
11	1-33-131-006	1	FLENS,
12		1	, FLANSCH/FLANGE/FLASQUE, BRIDE/FLANGE/FLANGIA - Siehe Seite(n) vorne/See page(s) before/Voir page(s) avant(es)/Se side(r) forrest/Vedere pagin(a/e) precedent(e/i)/
13	190003870059	2	MOER, , M18
14	190003930311	2	SCHIJF, , A19
15	1-33-131-020	1	COVER, PROTECTIVE,
16	190003930282	2	SCHIJF, , A13
17	43151	2	BOUT, Hex, M12 x 20, 8.8, Full Thd, , M12x20-8.8
18	133700310020	1	COVER, PROTECTIVE,
19	336199	2	BOUT, Hex, M8 x 12, 8.8, Full Thd, , M8x12-8.8
20	896-11008	2	SLUITRING, M8 x 17.5 x 2, HT, , 9 x 17 x 2 mm
21	133700310025	1	SHEET,
22	1-33-131-003	1	OPVULPIJP,
23	1-32-373-178	1	KLEM, , 32/50
30	1-35-143-001	1	PROTECTOR,
31	280854	2	BOUT, Hex, M14 x 35, 8.8, Full Thd, , M14x35-8.8
32	190003802527	4	SCHROEF, , M10x30-8.8
33	1-35-143-007	2	VERWISSELBAAR RISTERVOORS,
34	1-35-143-004	1	VERWISSELBAAR RISTERVOORS,
35	1-35-143-006	1	HOEKSTUK,
36	190003802724	6	SCHROEF, , M14x30-8.8
37	190003871329	4	MOER, , M14-8
38	1-35-243-004	1	HOEKSTUK,
39	133700780038	4	PLAAT,
40	100016	4	MOER, M10, CI 8,



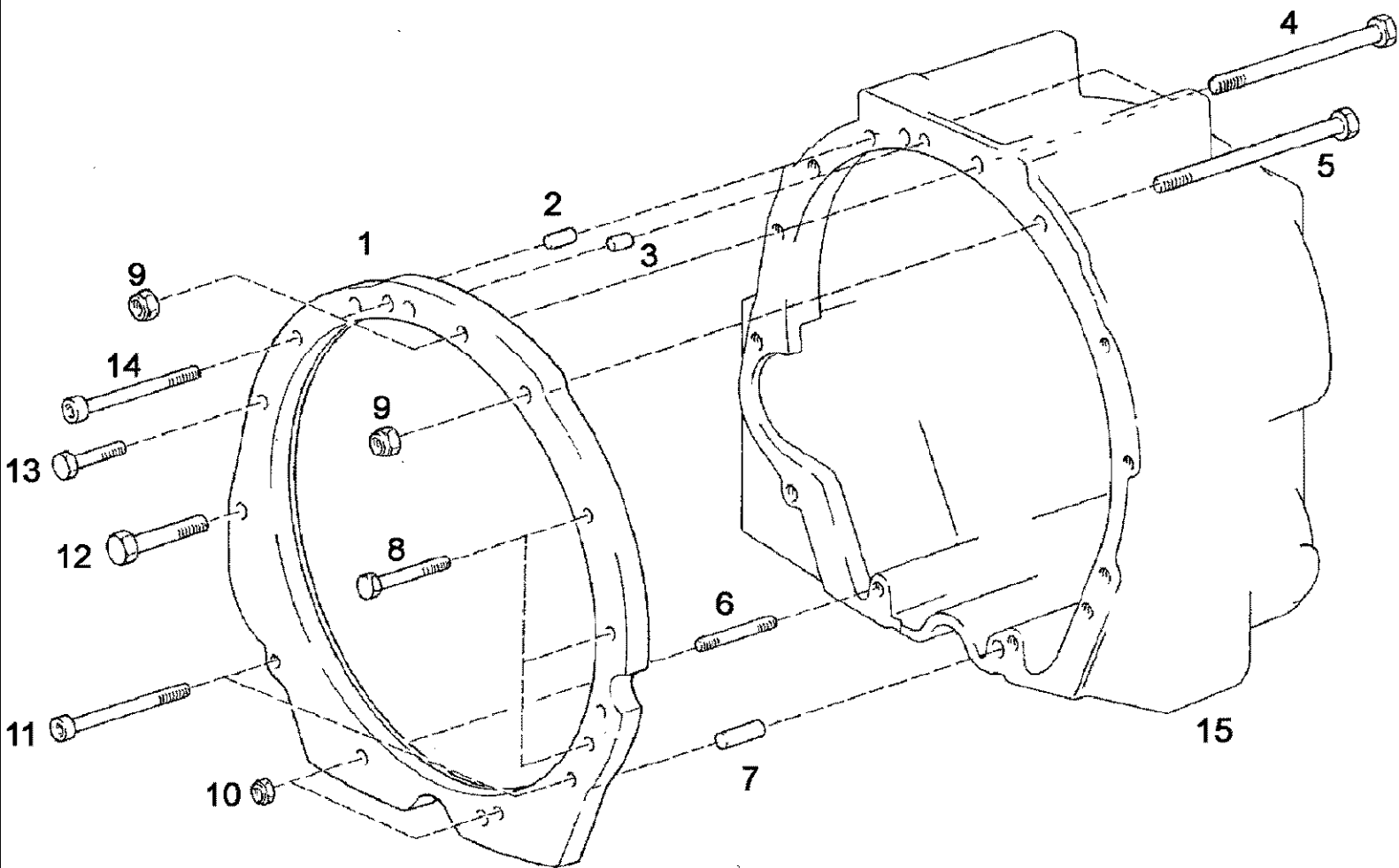


955 STEYR TRACTOR (2/92-6/97) - Besturing

05-25(01) FRONT WHEELS, NOT ADJUSTABLE

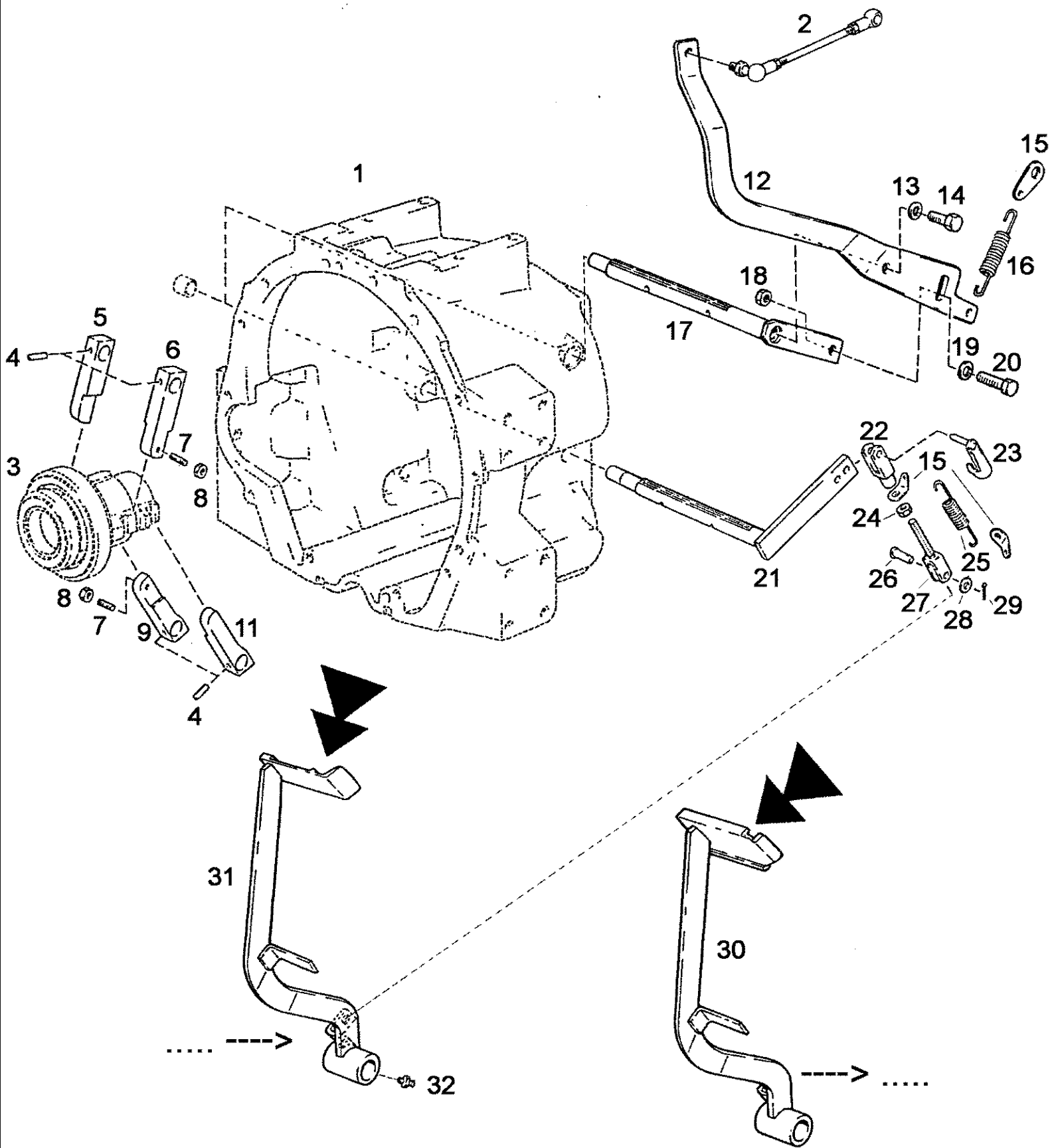
Ref	Onderdeelnummer	Kwt	Beschrijving
1	133700610231	2	WIELVEL, , 5,50Fx16
1	133700610488	2	WIELVEL, , 5,50Fx16
2	133700610311	2	WIELVEL, , 5,50Fx18
3	135700610179	2	WIELVEL, , 5,50Fx20
4	137700610018	2	WIELVEL, , 6,00Fx16
5	133700610123	2	WIELVEL, , W7x24
6	135700610173	2	WIELVEL, , W8Lx16
7	133700610314	2	WIELVEL, , 9x20
7	1295610024	2	WIELVEL, , 9x20
8	135700610185	2	WIELVEL, , W10x24
9	135700610096	2	WIELVEL, , 11x20, ET13
10	133700610383	2	WIELVEL, , 11x20, ET30





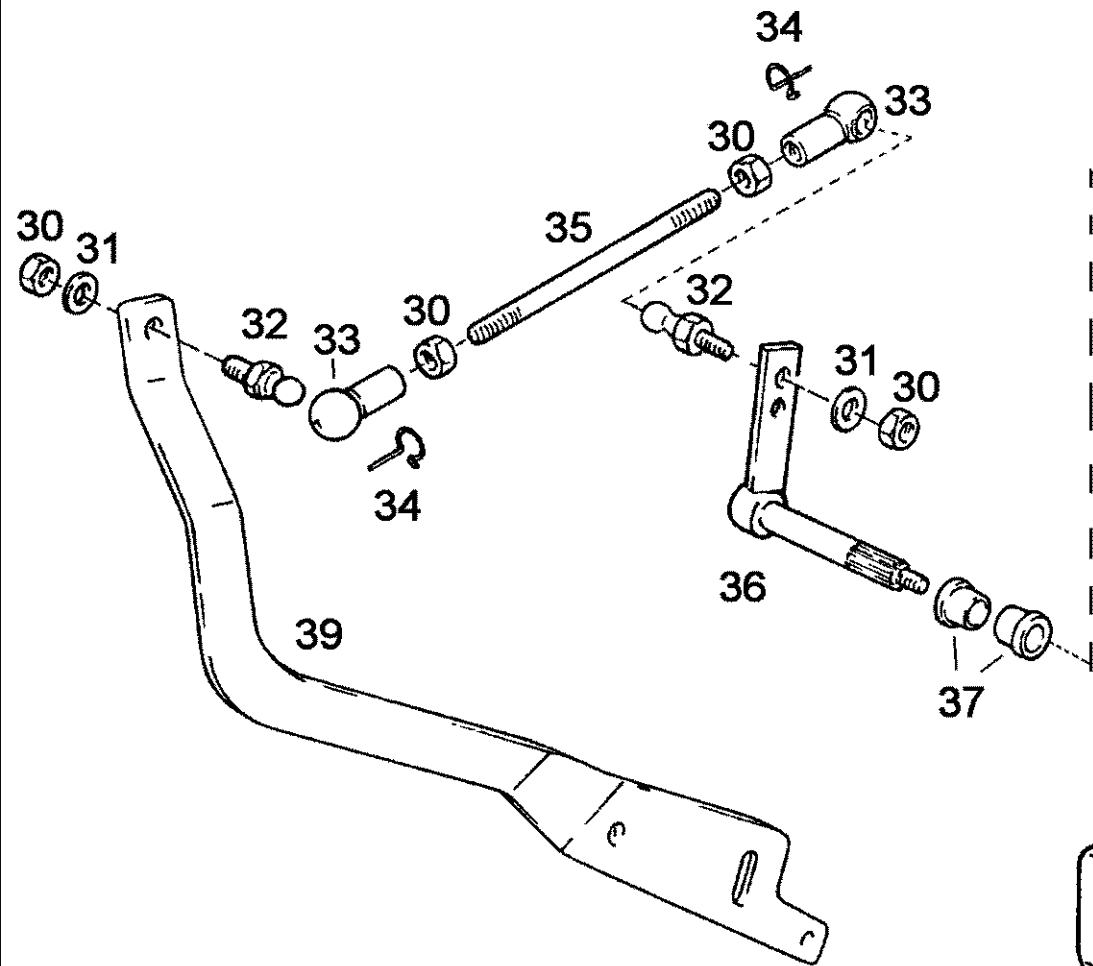
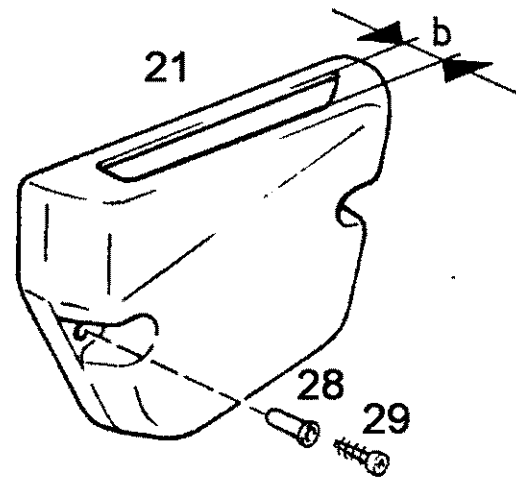
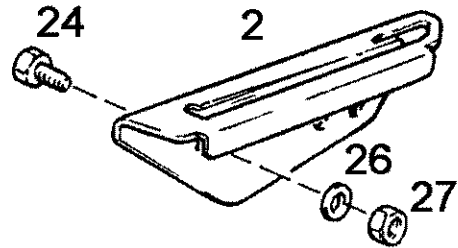
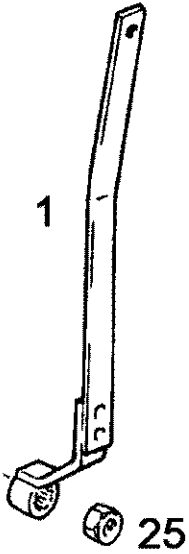
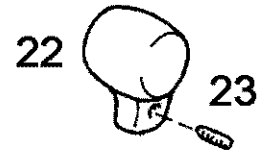
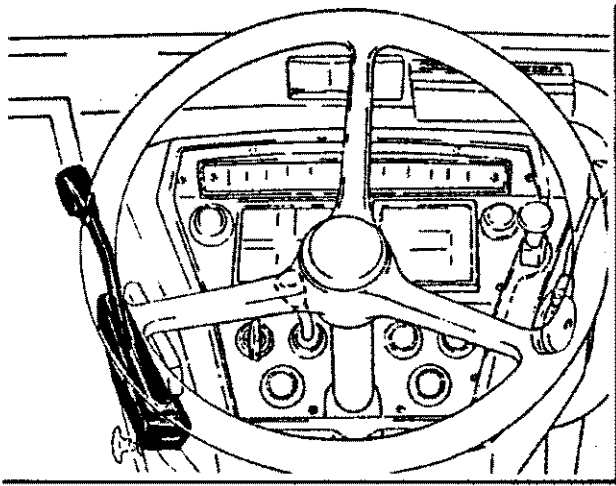
## 06-01(01) ENGINE MOUNTING

Ref	Onderdeelnummer	Kwt	Beschrijving
1	1-33-121-007	1	PLAAT, GROOT,
2	190003901605	1	PEN, , 12m6x28
3	190003901604	1	PEN, , 12m6x20
4	190003800438	2	SCHROEF, , M12x180-10.9
5	190003800200	1	SCHROEF, , M12x190-10.9
6	190003813562	2	TAPEIND, , M10x75-8.8
7	190003900230	1	PEN, , 12m6x45
8	190003800571	3	SCHROEF, , M10x80-8.8
9	832-41312	3	NUT, LOCK, M12 x 1.75, CI 10,
10	190003888452	2	MOER, , VM10-8
11	190003860217	2	SCHROEF, , M10x125-8.8
12	190003800659	1	SCHROEF, , M12x80-8.8
13	190003802549	1	SCHROEF, , M10x55-8.8
14	190003862584	1	SCHROEF, , M10x120-8.8
15		1	, GEHÄUSE/HOUSING/CARTER/HUS/SCATOLA - Siehe nächste Seite(n)/See next page(s)/Voir page(s) suivante(s)/Se næste side(r)/Vedere pagin(a/e) seguent(e/i)



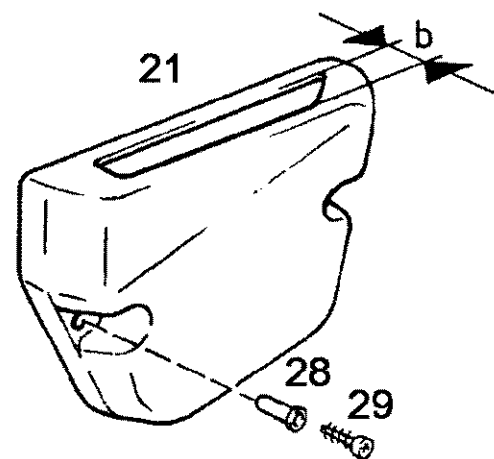
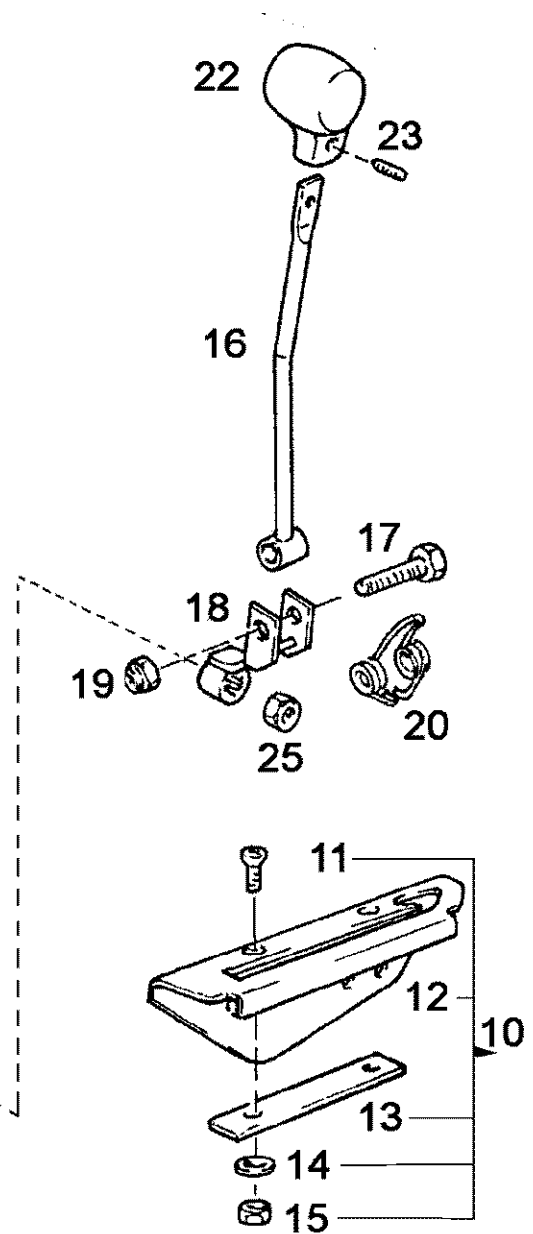
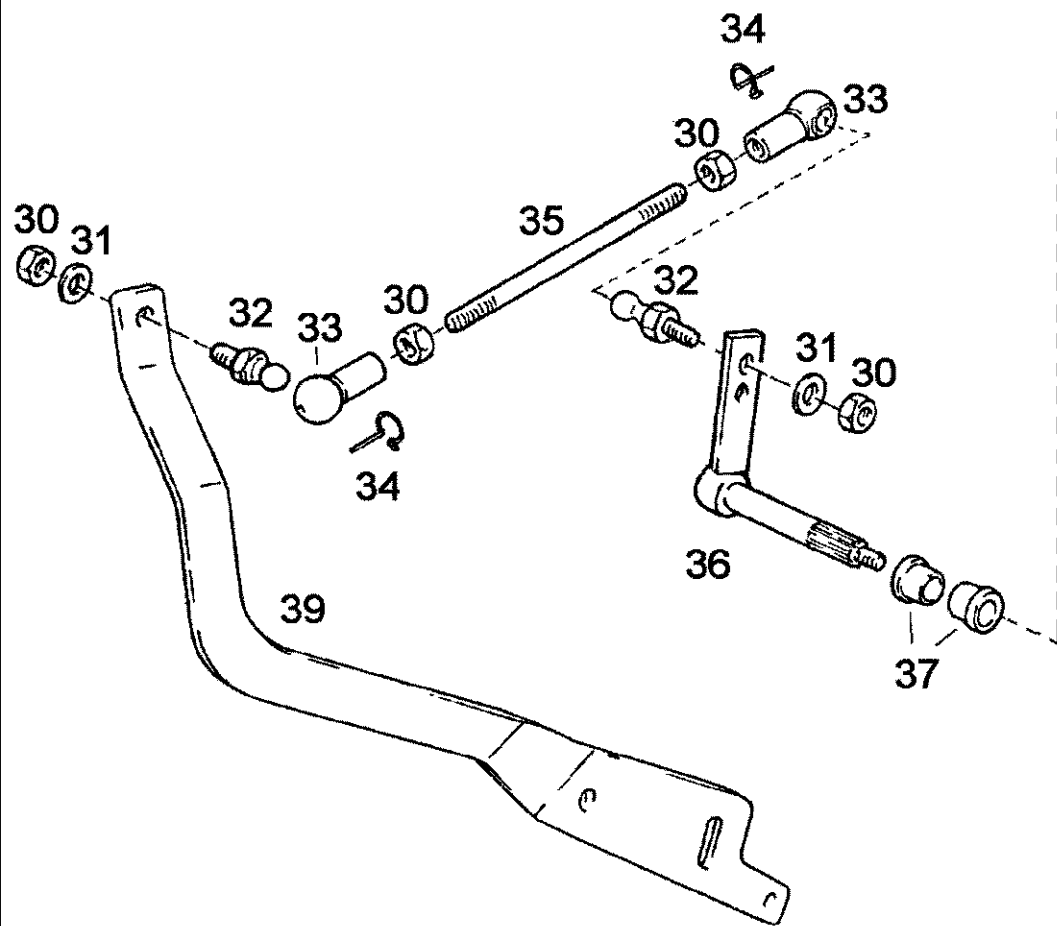
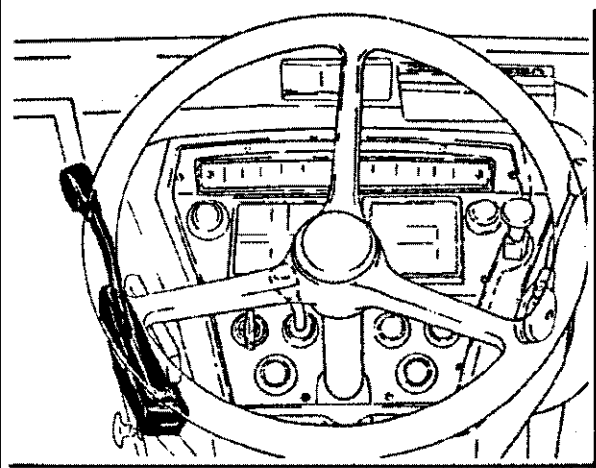
## 06-02(01) CLUTCH CONTROLS AND CLUTCH PEDAL

Ref	Onderdeelnummer	Kwt	Beschrijving
1		1	, GEHÄUSE/HOUSING/CARTER/HUS/SCATOLA -- Siehe nächste Seite(n)/See next page(s)/Voir page(s) suivante(s)/Se næste side(r)/Vedere pagin(a/e) seguent(e/i)
2		1	, STANGE/ROD/TRINGLE/STANG/ASTA - Siehe nächste Seite(n)/See next page(s)/Voir page(s) suivante(s)/Se næste side(r)/Vedere pagin(a/e) seguent(e/i)
3		1	, KUPPLUNGSFLANSCH/COUPLING FLANGE/BRIDE D'ACCOUPEMENT - Siehe nächste Seite(n)/See next page(s)/Voir page(s) suivante(s)/Se næste side(r)/Vedere pagin(a/e) seguent(e/i)
4	190003909627	4	SPANSTIFT, , 6x18
5	133700272168	1	HEFBOOM,
6	133700272169	1	HEFBOOM,
7	190003900228	2	PEN, , M6X35-45H
8	15896221	2	MOER, M6, CI 10, , M6-8-A2C, DIN934
9	133700230121	1	AANSLAGPEN, , Rechts/Right/Droite/Højre/Destra
11	133700230056	1	AANSLAGPEN, , Links/Left/Gauche/Venstre/Sinistro
12	1-34-544-101	1	TUIMELAARSTANG,
13	190003930271	2	SCHIJF, , A10,5-140HV-A3C
14	43138	1	BOUT, Hex, M10 x 20, 8.8, Full Thd,
15	1288350094	3	VERWISSELBAAR RISTERVOORS,
16	1680570027	1	VEER,
17	133700272205	1	AS,
18	190003888452	1	MOER, , VM10-8
19	190003937285	1	SCHIJF,
20	9706704	1	BOUT, Hex, M10 x 35, 8.8, Full Thd, , M10x35-8.8
21	133700230124	1	AS,
22	190003964444	1	VORK, , G10x40
23	1780350054	1	PIN, LARGE, , 10x40
24	100016	1	MOER, M10, CI 8,
25	1680230008	1	VEER,
26	190003903655	1	PEN,
27	133700230081	1	STANG,
28	190003935009	1	SCHIJF,
29	190003920217	1	SPLITPEN, , 3,2x16
30	1-33-123-002	1	HEFBOOM, , ----> .....
31	1-33-123-014	1	HEFBOOM, , ..... ---->
32	190003963112	1	SMEERNIPPEL, , AM8x1

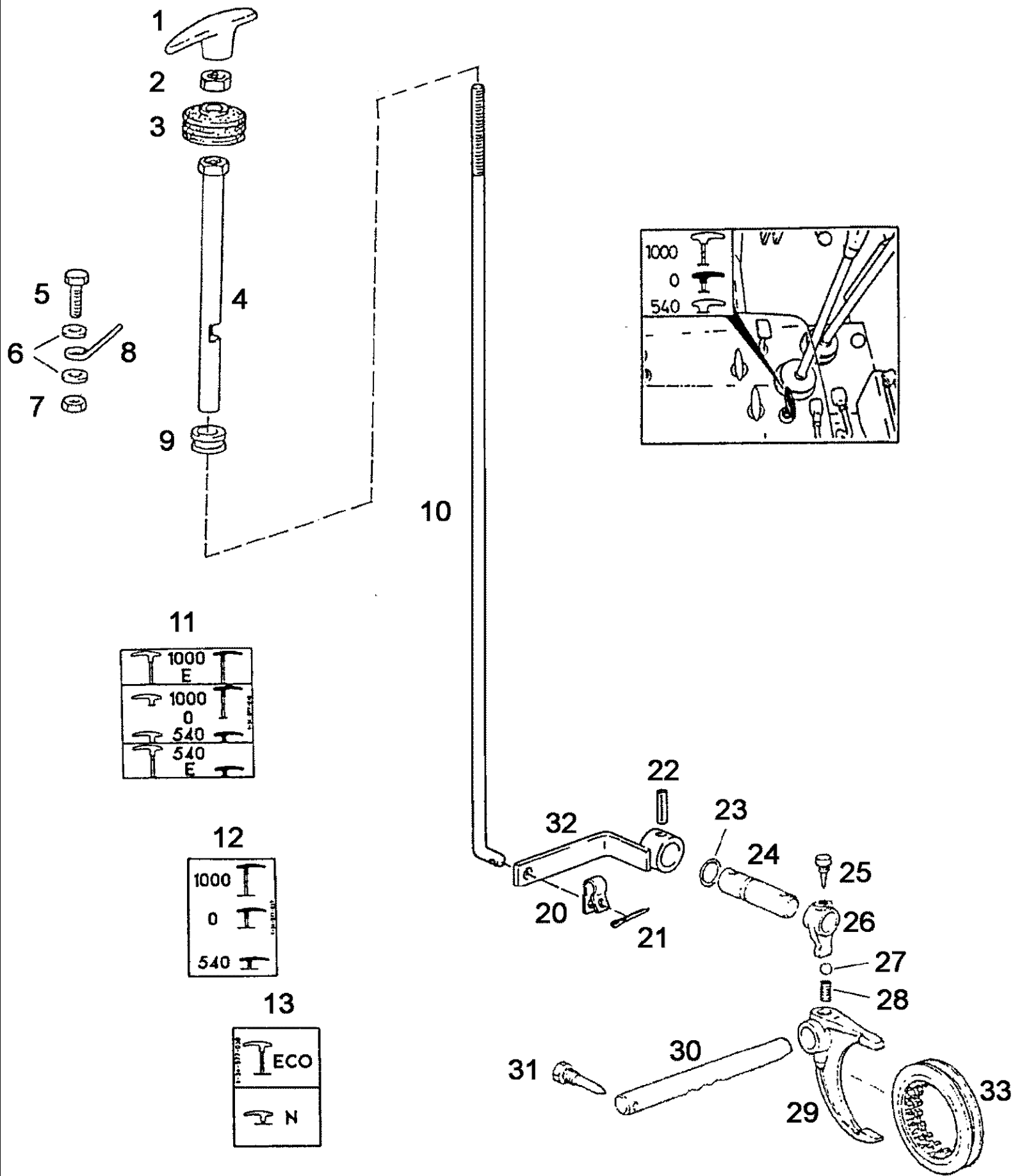


Ref	Onderdeelnummer	Kwt	Beschrijving
1	1-34-544-046	1	HEFBOOM,
2	1-34-544-014	1	HOEKSTUK,
21	1-34-544-115	1	COVER, PROTECTIVE, , b=28mm
22	1397730168	1	HENDEL,
23	190003902708	1	SCHROEF, , M6x10
24	16043224	2	BOUT, Hex, M8 x 16, 8.8, Full Thd,
25	190003888451	1	MOER, , VM8-8
26	190003936103	2	SLUITRING, , 8,4-140HV-A3C-DIN9021
27	190003888451	2	MOER, , VM8-8
28	1-99-942-065	2	AFSTANDSRING,
29	190003840023	2	SCHROEF, , ST3,9 x 32-N-H-BN
30	825-1408	4	MOER, M8, CI 8,
31	896-11008	2	SLUITRING, M8 x 17.5 x 2, HT, , 9 x 17 x 2 mm
32	190003963316	2	KOGELGEWRIGHT, , C13
33	190003963622	2	CUP, BALL, , A13
34	190003936514	2	SCHARNIER, , S13
35	1-34-544-047	1	SCHROEFSTANG,
36	1-34-544-025	1	HEFBOOM,
37	1-34-643-110	2	LAGERBUS, , Ø 12,15
38	1-34-177-105	1	DECAL,
39		1	, UMLENKHEBEL/LEVER, CRANK/LEVIER DE RENVOI/MELLEMARM/LEVA D'INVERSIONE - Siehe Seite(n) vorne/See page(s) before/Voir page(s) avant(es)/Se side(r) forrest/Vedere pagin(a/e) precedent(e/i)

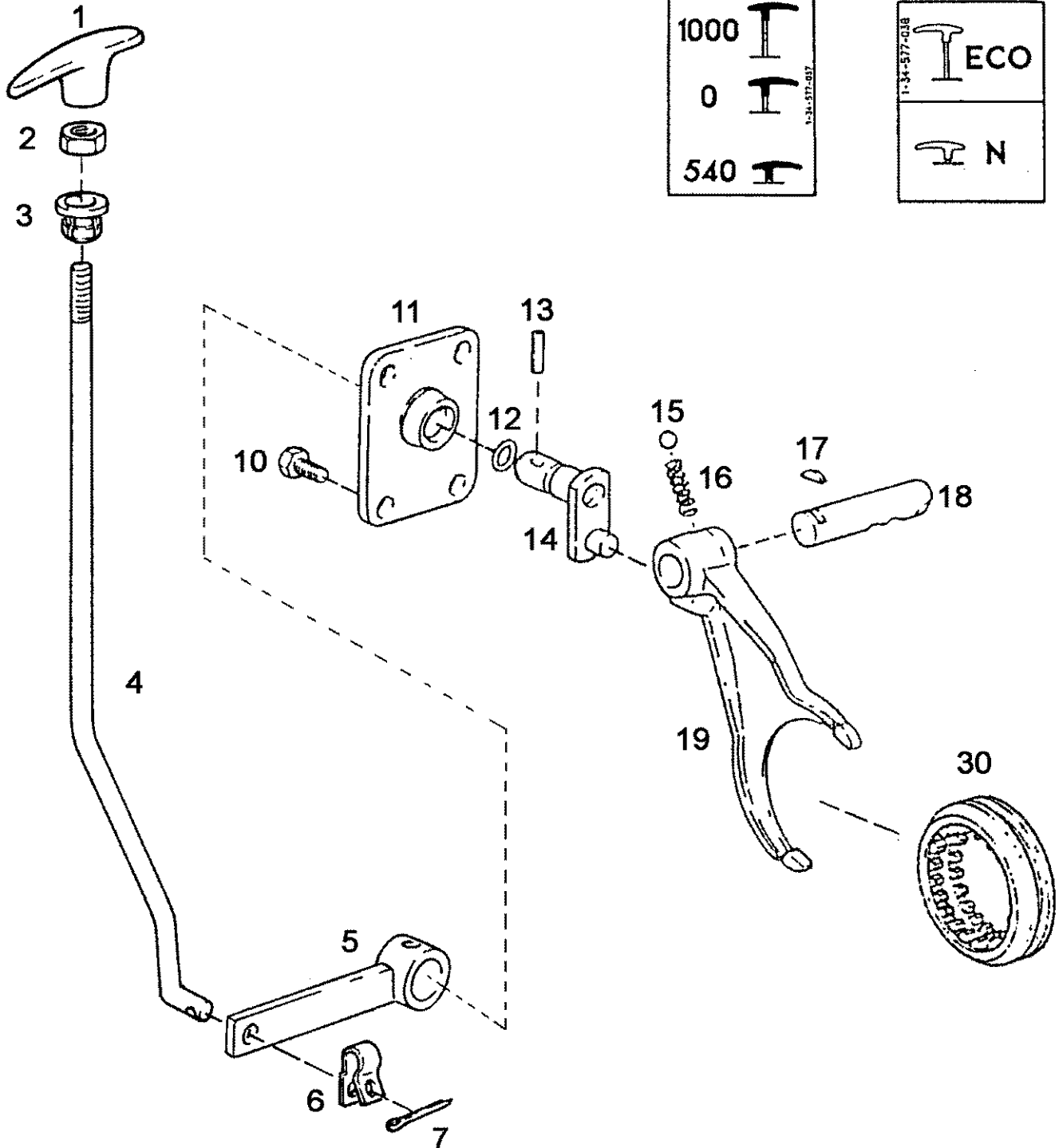
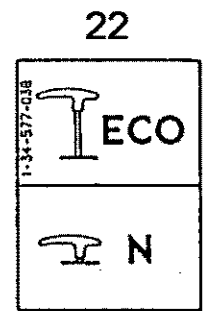
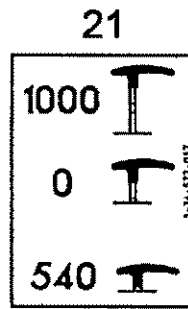
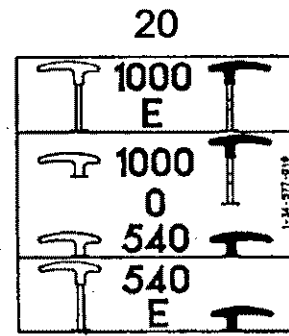
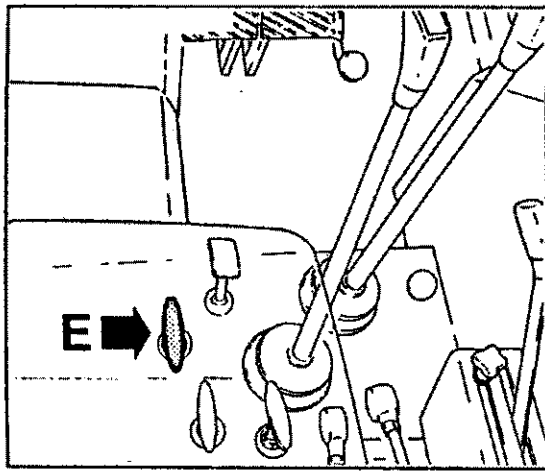




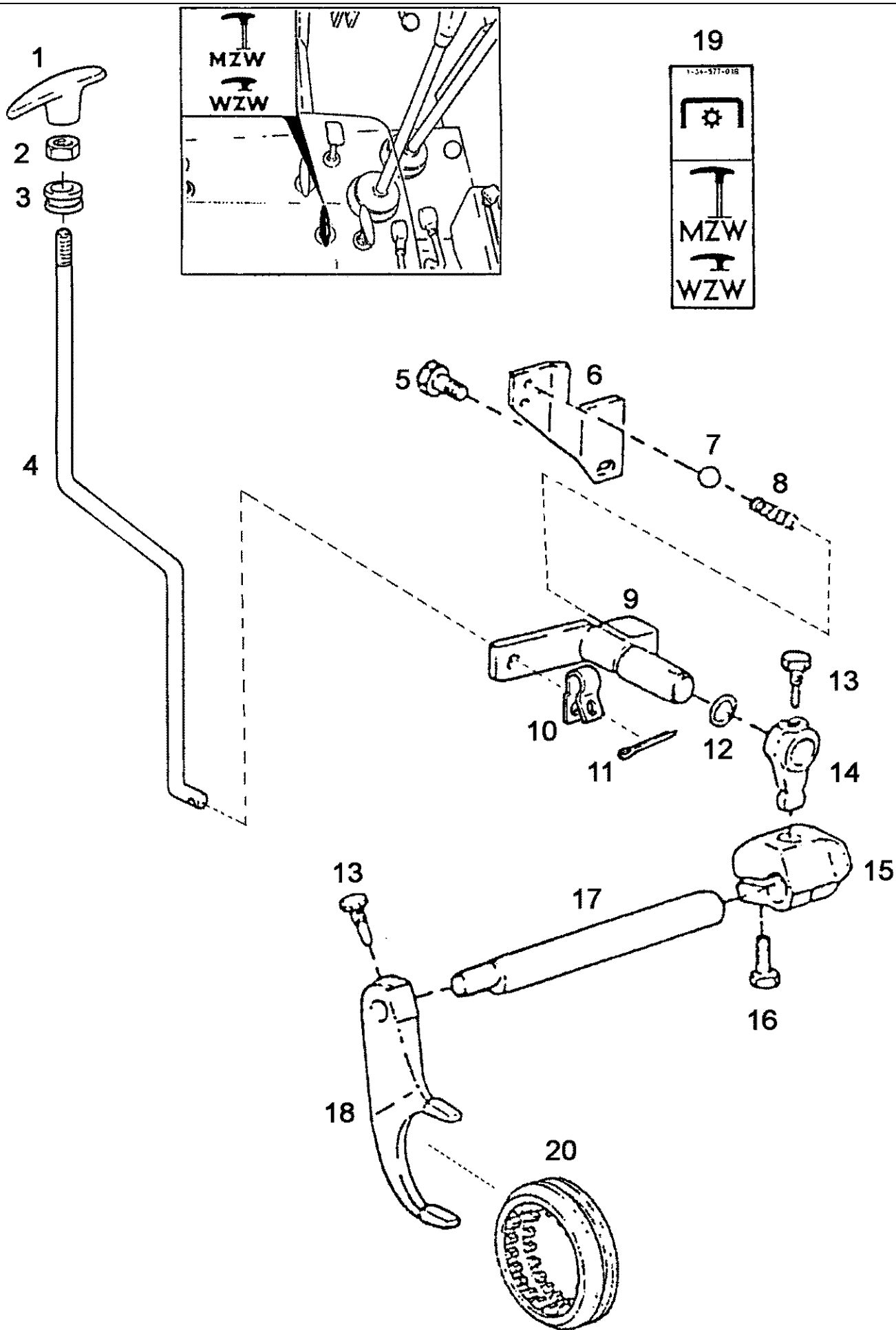
Ref	Onderdeelnummer	Kwt	Beschrijving
10	1-34-544-060	1	HOEKSTUK, , Besteht aus/Consists of/Compose de/Bestående af/È composto da 11 - 15
11	190003820107	2	SCHROEF, , M6x16-4.8
12	1-34-544-065	1	COVER ASSY,
13	1-34-544-059	1	PLAAT, GROOT,
14	190003930251	2	SCHIJF, , A6,4-140HV-A3C
15	15896221	2	MOER, M6, CI 10, , M6-8-A2C, DIN934
16	1-34-544-058	1	HEFBOOM,
17	190003802652	1	SCHROEF, , M12x60-8.8
18	1-34-544-050	1	GELEIDER,
19	100038	1	NUT, LOCK, M12 x 1.75, CI 8,
20	133700272083	1	VEER,
21	1-34-544-107	1	COVER, PROTECTIVE, , b=32mm
22	1397730168	1	HENDEL,
23	190003902708	1	SCHROEF, , M6x10
24	16043224	2	BOUT, Hex, M8 x 16, 8.8, Full Thd,
25	190003888451	1	MOER, , VM8-8
26	190003936103	2	SLUITRING, , 8,4-140HV-A3C-DIN9021
27	190003888451	2	MOER, , VM8-8
28	1-99-942-065	2	AFSTANDSRING,
29	190003840023	2	SCHROEF, , ST3,9 x 32-N-H-BN
30	825-1408	4	MOER, M8, CI 8,
31	896-11008	2	SLUITRING, M8 x 17.5 x 2, HT, , 9 x 17 x 2 mm
32	190003963316	2	KOGELGEWRICHT, , C13
33	190003963622	2	CUP, BALL, , A13
34	190003936514	2	SCHARNIER, , S13
35	1-34-544-047	1	SCHROEFSTANG,
36	1-34-544-025	1	HEFBOOM,
37	1-34-643-110	2	LAGERBUS, , Ø 12,15
38	1-34-177-105	1	DECAL,
39		1	, UMLENKHEBEL/LEVER, CRANK/LEVIER DE RENVOI/MELLEMARM/LEVA D'INVERSIONE - Siehe Seite(n) vorne/See page(s) before/Voir page(s) avant(es)/Se side(r) forrest/Vedere pagin(a/e) precedent(e/i)



Ref	Onderdeelnummer	Kwt	Beschrijving
1	1-99-970-005	1	HENDEL,
2	43362	1	MOER, M8, CI 10,
3	1882270056	1	BLAASBALG,
4	1-34-544-202	1	STOPARM,
5	190003802336	1	SCHROEF, , M6x25-8.8
6	190003936101	2	SLUITRING, , 6,4-140HV-A3C
7	15896221	1	MOER, M6, CI 10, , M6-8-A2C, DIN934
8	133700272058	1	VEER,
9	133700272201	1	LAGERBUS,
10	1-34-544-201	1	TREKBOOM,
11	1-34-577-019	1	DECAL, , ----> .....
12	1-34-577-037	1	DECAL, , ..... ---->
13	1-34-577-038	1	DECAL,
20	1397750128	1	VEER,
21	190003920221	1	SPLITPEN, , 3,2x18
22	190003909684	1	SPANSTIFT, , 8x30
23	1188270029	1	O-RING, , 13x2,5-NBR-70
24	133700270040	1	AS,
25	12700240064	1	SCHROEF,
26	1188270053	1	KOPPELINGSKLAUW, BEWEGEND,
27	190003330148	1	KOGEL, , Ø 8,0mm
28	1206240018	1	SPRING, COMPRESSION,
29	133700270088	1	STEEKVORK,
30	135700270070	1	AS,
31	1397220061	1	SCHROEF,
32	1-34-544-514	1	GELEIDER,
33		1	, MUFFE/SLEEVE, TRANSMISSION/MANCHON/MUFFE/MANICOTTO - Siehe Zapfwelle/See power-take-off/Voir prise de force/Se kraftudtag/Vedere presa di forza

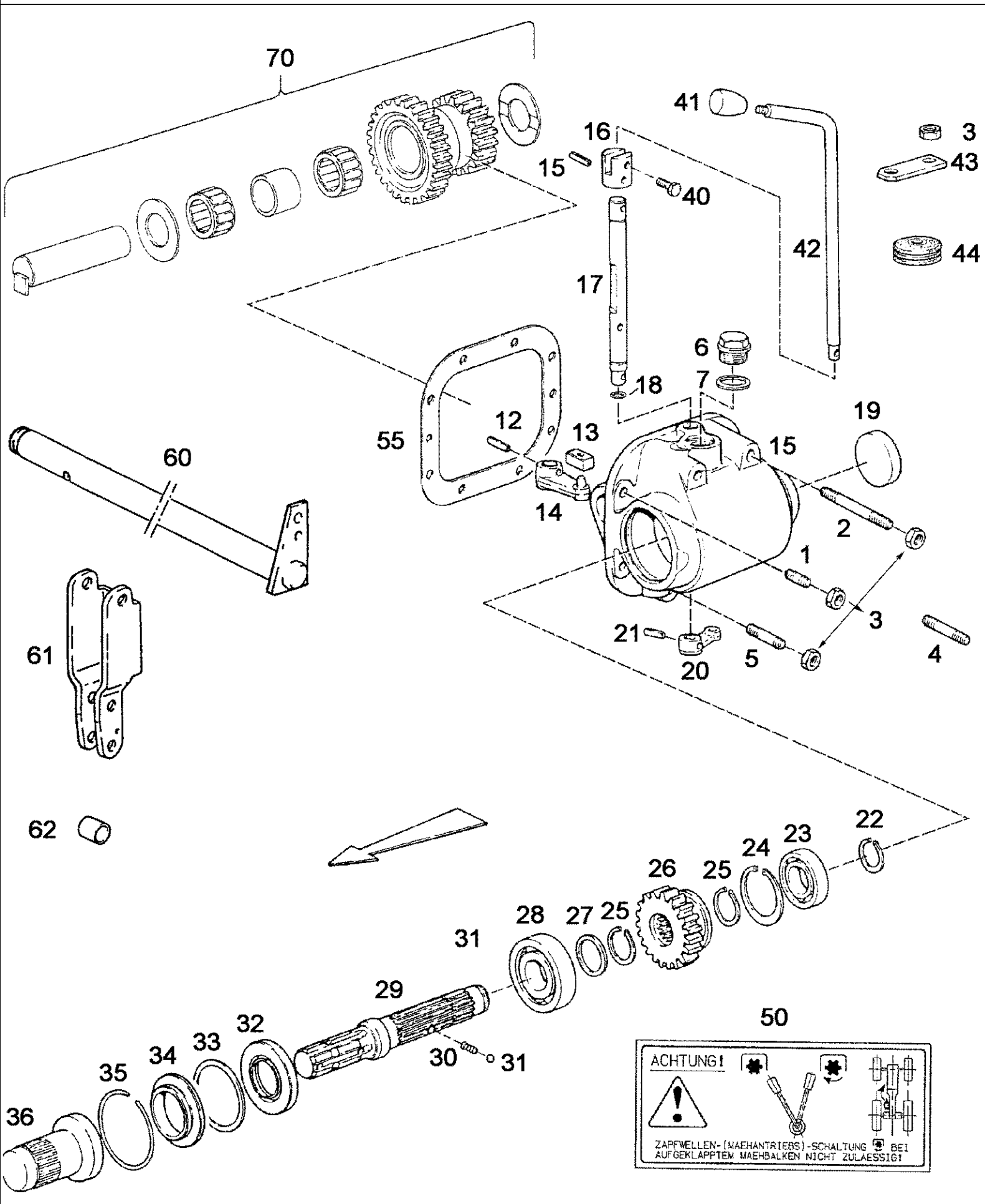


Ref	Onderdeelnummer	Kwt	Beschrijving
1	133700272054	1	HENDEL, , M8
2	43362	1	MOER, M8, CI 10,
3	137700750100	1	LAGERBUS,
4	1-34-544-231	1	TREKBOOM,
5	1-34-544-517	1	HEFBOOM,
6	1397750128	1	VEER,
7	190003920211	1	SPLITPEN, , 3,2x14
10	9706687	2	BOUT, Hex, M12 x 30, 8.8,
11	133700210037	1	COVER,
12	1406070015	1	O-RING,
13	190003909653	1	SPLITPEN, , 8x36
14	133700280008	1	VINGER,
15	190003330148	1	KOGEL, , Ø 8,0mm
16	1206240018	1	SPRING, COMPRESSION,
17	190003960802	1	WOODRUFF KEY, , 3x6,5
18	133700270320	1	AS,
19	133700270319	1	STEEKVORK,
20	1-34-577-019	1	DECAL, , ----> .....
21	1-34-577-037	1	DECAL, , ..... ---->
22	1-34-577-038	1	DECAL,
30		1	, MUFFE/SLEEVE, TRANSMISSION/MANCHON/MUFFE/MANICOTTO - Siehe Zapfwelle/See power-take-off/Voir prise de force/Se kraftudtag/Vedere presa di forza



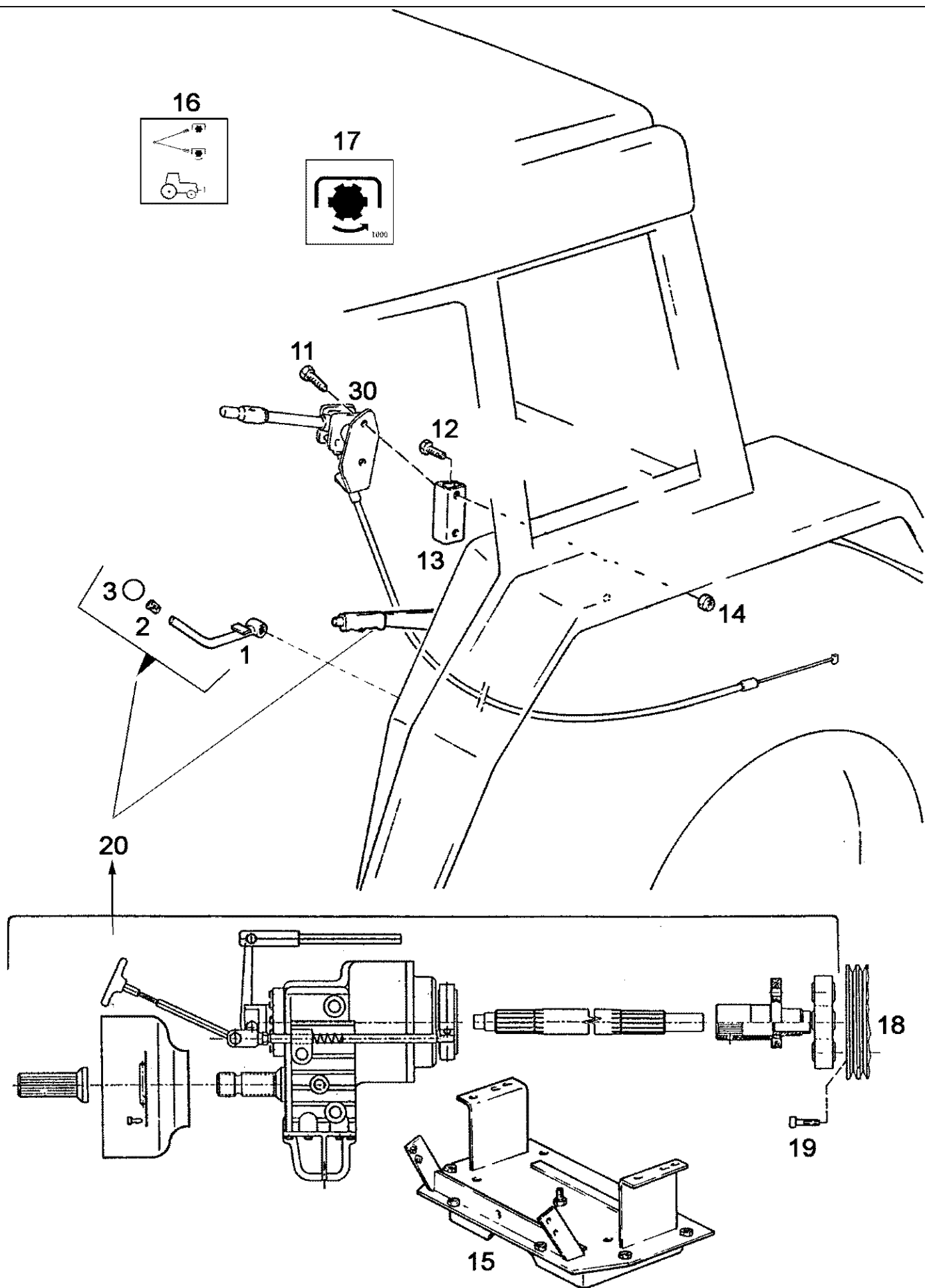
Ref	Onderdeelnummer	Kwt	Beschrijving
1	1-99-970-005	1	HENDEL,
2	43362	1	MOER, M8, CI 10,
3	137700750100	1	LAGERBUS,
4	1-34-544-251	1	TREKBOOM,
5	9706704	1	BOUT, Hex, M10 x 35, 8.8, Full Thd, , M10x35-8.8
6	133700272055	1	KONZOOL,
7	190003330183	1	KOGEL, , Ø10mm
8	11800240023	1	VEER,
9	133700270165	1	HEFBOOM,
10	1397750128	1	VEER,
11	190003920221	1	SPLITPEN, , 3,2x18
12	1188270029	1	O-RING, , 13x2,5-NBR-70
13	12700240064	1	SCHROEF,
14	1188270053	1	KOPPELINGSKLAUW, BEWEGEND,
15	133700270249	1	AANDRIJFKLAUW,
16	43127	2	BOUT, Hex, M8 x 25, 8.8,
17	133700270250	1	AS,
18	133700270178	1	STEEKVORK,
19	1-34-577-018	1	DECAL,
20		1	MUFFE/SLEEVE, TRANSMISSION/MANCHON/MUFFE/MANICOTTO - Siehe Zapfwelle/See power-take-off/Voir prise de force/Se kraftudtag/Vedere presa di forza



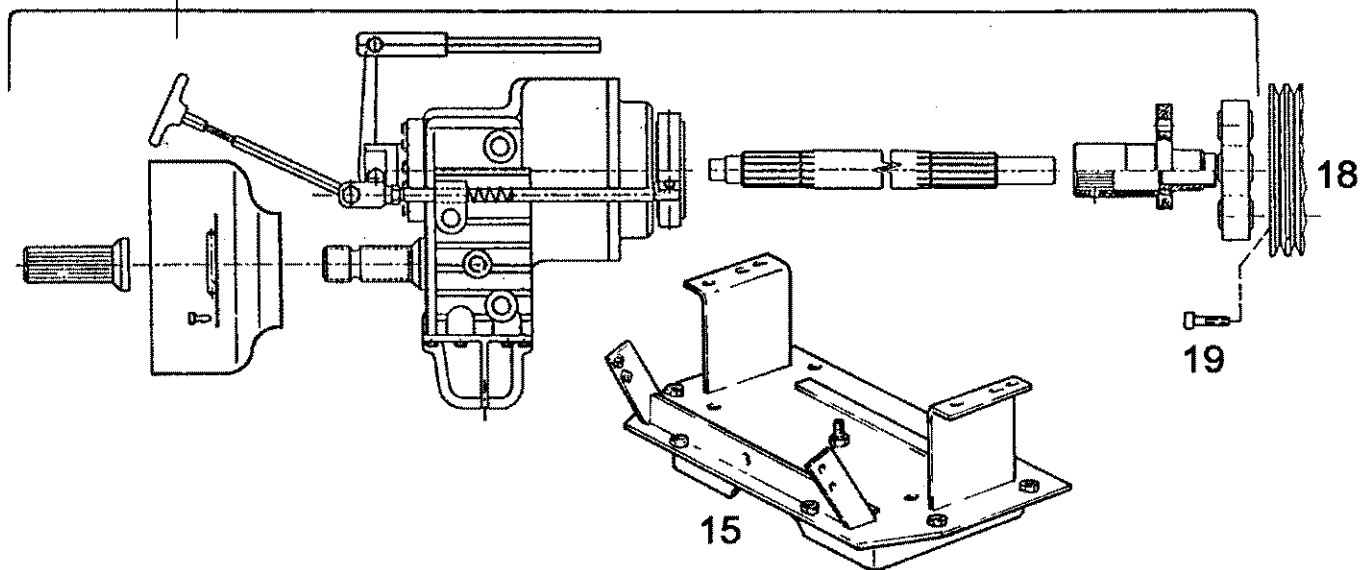
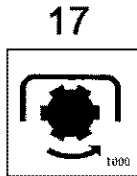
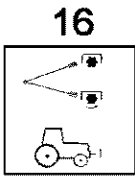
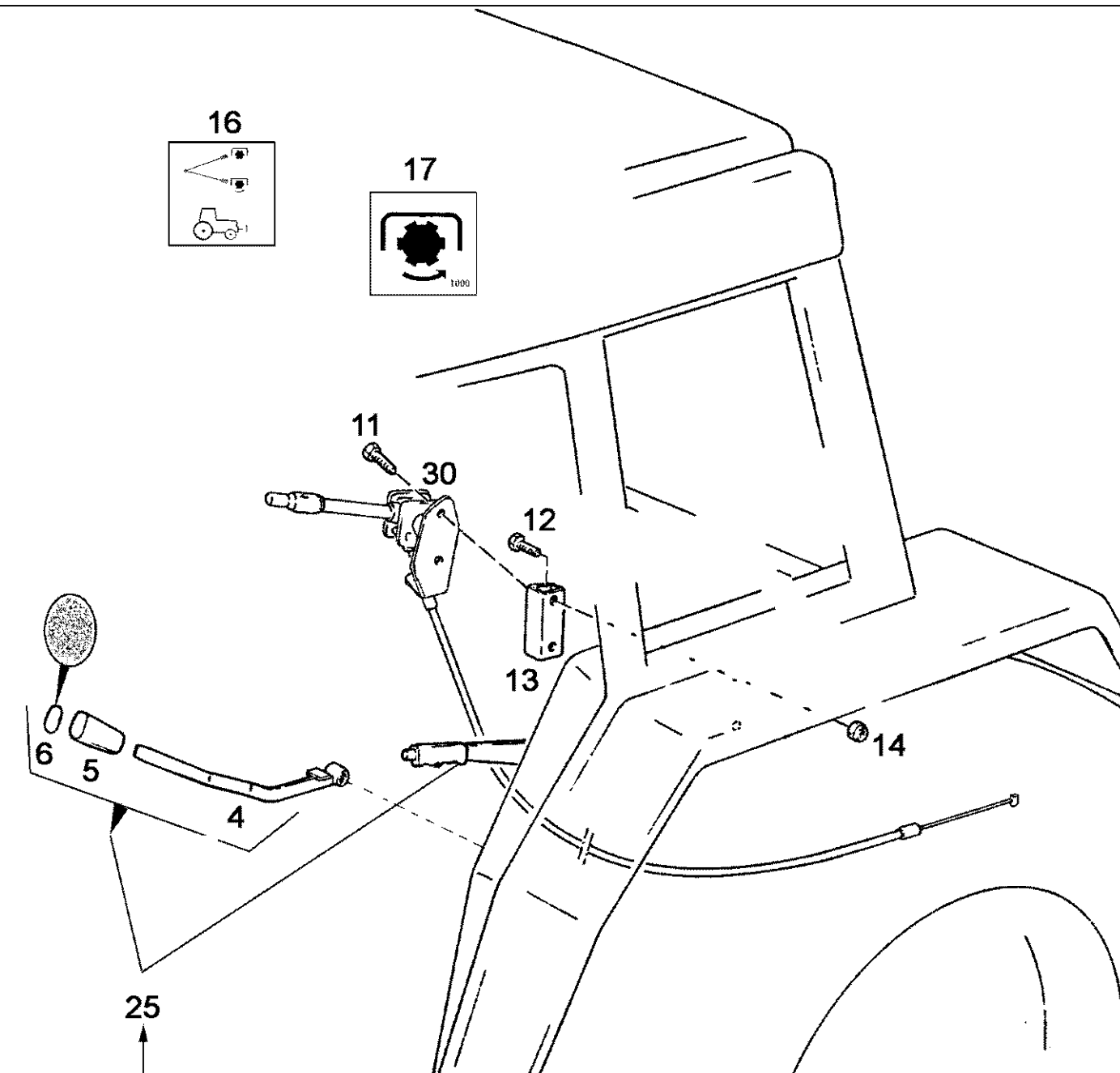


Ref	Onderdeelnummer	Kwt	Beschrijving
	1-33-127-002	1	AFTAKAS, , Besteht aus/Consists of/Compose de/Bestående af/È composto da 1 - 36,
	133700272075	1	AFTAKAS, , Besteht aus/Consists of/Compose de/Bestående af/È composto da 13 - 36
1	190003813628	4	TAPEIND, , M12x30-8.8
2	190003813681	2	TAPEIND, , M12x105-10.9
3	337475	6	MOER, M12, CI 10,
3	190003871344	3	MOER, , M12-10
4	190003813155	1	TAPEIND, , M12x60-8.8
5	190003813647	1	TAPEIND, , M12x55-10.9
6	190003962051	1	AFTAPPLUG, , C-M30x1,5
7	190003098086	1	DICHTINGSRING, , A30x36-CU
12	190003909628	2	SPANSTIFT, , 6x28
13	1288270047	1	LEISLOF,
14	133700270076	1	HEFBOOM,
15	133700270280	1	HUIS,
16	133700270098	1	LAGER,KOPPELING DRUKPLAA,
17	133700270276	1	AS,
18	1288730061	2	O-RING,
19	190003989286	1	PLUG, , 60/8-ST
20	133700270007	1	HEFBOOM,
21	190003909661	1	SPANSTIFT, , 6x24
22	190003933200	1	RING, SNAP, , 30x1,5
23	190003311518	1	LAGER, KOGEL,
24	190003934360	1	SLUITRING, , 72x2,5
25	190003933251	2	RING, SNAP, , 35x1,5
26	133700270074	1	TANDWIEL, , 20 T
27	1292220091	1	WASHER, THRUST,
28	190003311521	1	LAGER,
29	133700270073	1	AFTAKAS,
30	1206240018	1	SPRING, COMPRESSION,
31	190003330148	1	KOGEL, , Ø 8,0mm
32	190003078425	1	DICHTINGSSTUK,
33	1397270071	1	SLUITRING, , 0,1 mm
33	1397270072	1	SLUITRING, , 0,5 mm
34	133700270112	1	BUSHING, LARGE,
35	190003936074	1	VEERRING, , B80
36	1288270096	1	COVER, PROTECTIVE,
40	120100	1	BOUT, Hex, M6 x 20, 8.8,
41	1280570036	1	GRIP,
42	1-33-127-003	1	LEVER, CONTROL,
43	133700272072	1	VERWISSELBAAR RISTERVOORS,
44	1882270056	1	BLAASBALG,

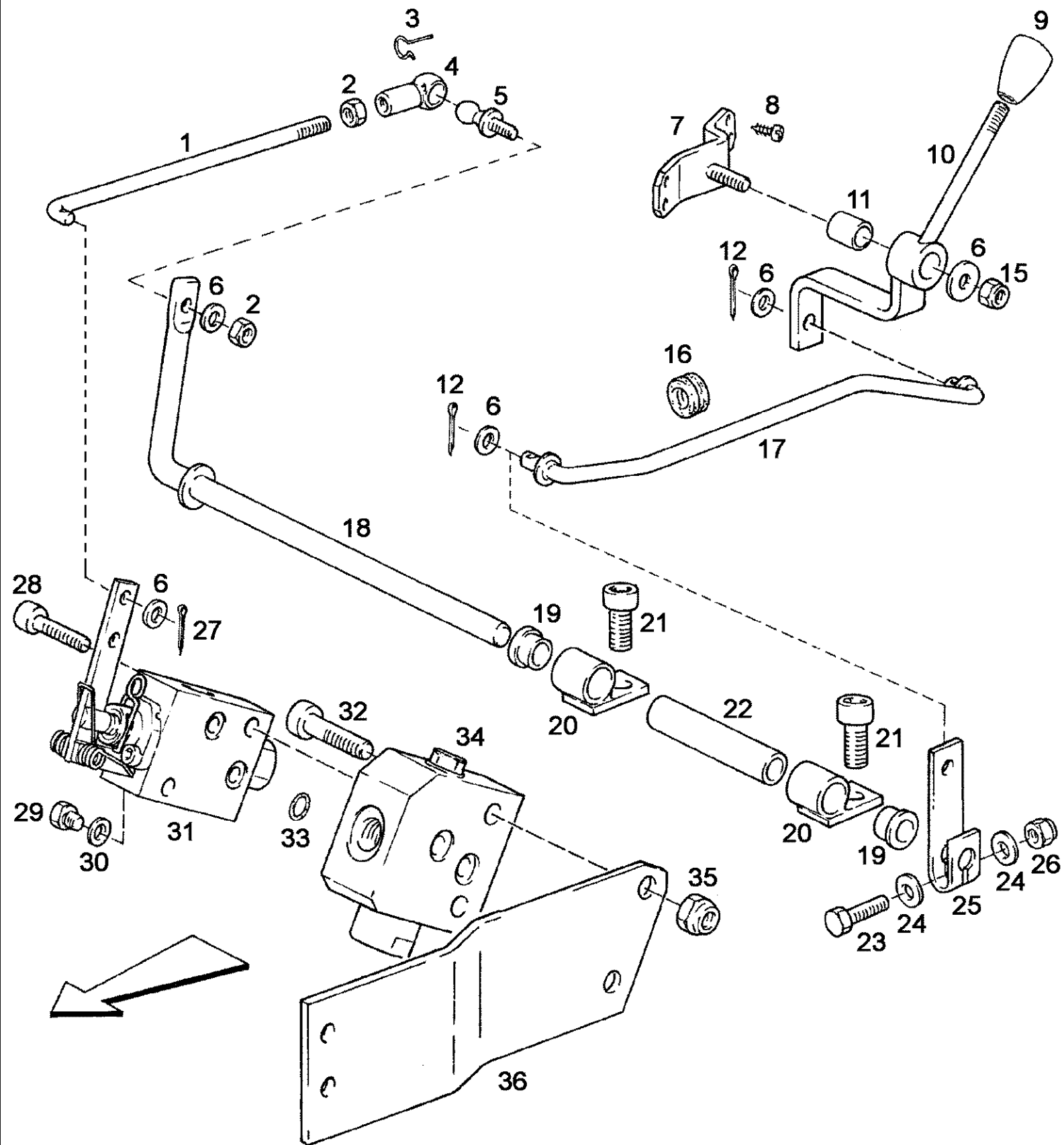
Ref	Onderdeelnummer	Kwt	Beschrijving
50	1-35-178-101	1	DECAL,
55	133700270047	1	SLUITRING, , 0,1mm
55	133700270048	1	SLUITRING, , 0,2mm
60	133700350250	1	AS,
61	153700340009	1	BRAKE LEVER,
62	133700350253	1	AFSTANDSRING,
70		1	ANTRIEB/DRIVE/COMMANDE-ENTRAINEMENT/DREV/AZIONAMENTO/COMANDO - Siehe Zapfwelle/See power-take-off/Voir prise de force/Se kraftudtag/Vedere presa di forza



Ref	Onderdeelnummer	Kwt	Beschrijving
1	1-35-127-046	1	HEFBOOM,
2	133700730397	1	LAGERBUS,
3	133700730395	1	LAGERBUS,
11	43128	1	BOUT, Hex, M8 x 30, 8.8,
12	190003888451	2	MOER, , VM8-8
13	133700930100	1	AFSTANDSRING,
14	190003888451	2	MOER, , VM8-8
15	1-33-155-010	1	RAAM,
16	1-34-577-333	1	DECAL,
17	1-34-577-318	1	DECAL,
18	130100020010	1	RIEMSCHIJF, , Siehe Kapitel 02/See chapter 02/Voir chapitre 02/Se kapitel 02/Vedere capitolo 02
19	190003862540	6	SCHROEF, , M10x45-10.9
20	1-35-127-045	1	AFTAKAS, , Siehe nächste Seite(n)/See next page(s)/Voir page(s) suivante(s)/Se næste side(r)/Vedere pagin(a/e) sequent(e/i)
30	133700930090		HEFBOOM, , Siehe Kapitel 09C/See chapter 09C/Voir chapitre 09C/Se kapitel 09C/Vedere capitolo 09C



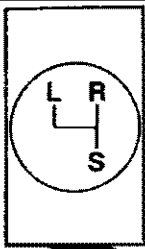
Ref	Onderdeelnummer	Kwt	Beschrijving
4	1-35-127-050	1	HEFBOOM,
5	1-34-644-861	1	GRIP,
6	1-34-644-067	1	CAP ASSY., , Ersetzt/Replaces/Remplace/Udskiftet/Sostituisce 1-34-644-302
11	43128	1	BOUT, Hex, M8 x 30, 8.8,
12	190003888451	2	MOER, , VM8-8
13	133700930100	1	AFSTANDSRING,
14	190003888451	2	MOER, , VM8-8
15	1-33-155-010	1	RAAM,
16	1-34-577-333	1	DECAL,
17	1-34-577-318	1	DECAL,
18	130100020010	1	RIEMSCHIJF, , Siehe Kapitel 02/See chapter 02/Voir chapitre 02/Se kapitel 02/Vedere capitolo 02
19	190003862540	6	SCHROEF, , M10x45-10.9
25	1-35-127-052	1	AFTAKAS, , Siehe nächste Seite(n)/See next page(s)/Voir page(s) suivante(s)/Se næste side(r)/Vedere pagin(a/e) sequent(e/i)
30	133700930090		HEFBOOM, , Siehe Kapitel 09C/See chapter 09C/Voir chapitre 09C/Se kapitel 09C/Vedere capitolo 09C



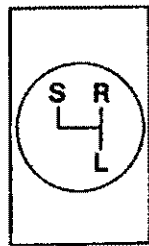


Ref	Onderdeelnummer	Kwt	Beschrijving
1	153700270025	1	STANG,
2	43362	2	MOER, M8, CI 10,
3	190003936514	1	SCHARNIER, , S13-A3C
4	190003963623	1	KOGELGEWRICHT, , B13-A2C
5	190003963316	1	KOGELGEWRICHT, , C13-A2C
6	896-11008	5	SLUITRING, M8 x 17.5 x 2, HT, , A8,4-140HV-A3C
7	133700272104	1	GUIDE, LEVERS,
8	190003840002	4	SCHROEF, , 3,9x16-N-H-BN
9	1280 570036	1	HENDEL,
10	153700270028	1	HEFBOOM,
11	1-99-942-064	1	LAGERBUS,
12	190003920221	2	SPLITPEN, , 3,2x18-ST-A4C
15	190003888451	1	MOER, , Vm8-8-A2C
16	1882 270056	1	BLAASBALG,
17	153700270027	1	STANG,
18	153700270037	1	HEFBOOM,
19	1-34-643-110	2	LAGERBUS,
20	153700270033	1	LAGER,
21	190003862619	2	SCHROEF, , M12x25-8.8-A3C
22	190003171189	1	BUISJE, , l=90
23	43128	1	BOUT, Hex, M8 x 30, 8.8,
24	896-11008	2	SLUITRING, M8 x 17.5 x 2, HT, , A8,4-140HV-A3C
25	153700270035	1	HEFBOOM,
26	190003888451	1	MOER, , VM8-8-A2C
27	190003920221	2	SPLITPEN, , 3,2x18-ST-A4C
28	190003802447	2	SCHROEF, , M8x45-8.8-A2C
29	190003962014	2	PLUG, Hex Wash Hd, M10 x 1, , AM18x1-ST-A3C
30	190003098010	2	DICHTINGSRING, , A10x13,5-CU
31	1-35-127-066	1	KONTROLEKLEP, , Siehe nächste Seite(n)/See next page(s)/Voir page(s) suivante(s)/Se næste side(r)/Vedere pagin(a/e) seguent(e/i)
32	190003862542	2	SCHROEF, , M10x45-8.8-A3C
33	1397 750109	4	O-RING, , 11,3x2,4
34	135700270076	1	PLAAT, GROOT, , Siehe nächste Seite(n)/See next page(s)/Voir page(s) suivante(s)/Se næste side(r)/Vedere pagin(a/e) seguent(e/i)
35	190003888452	2	MOER, , VM10-8-A3C
36	153700270034	1	GUIDE, LEVERS,

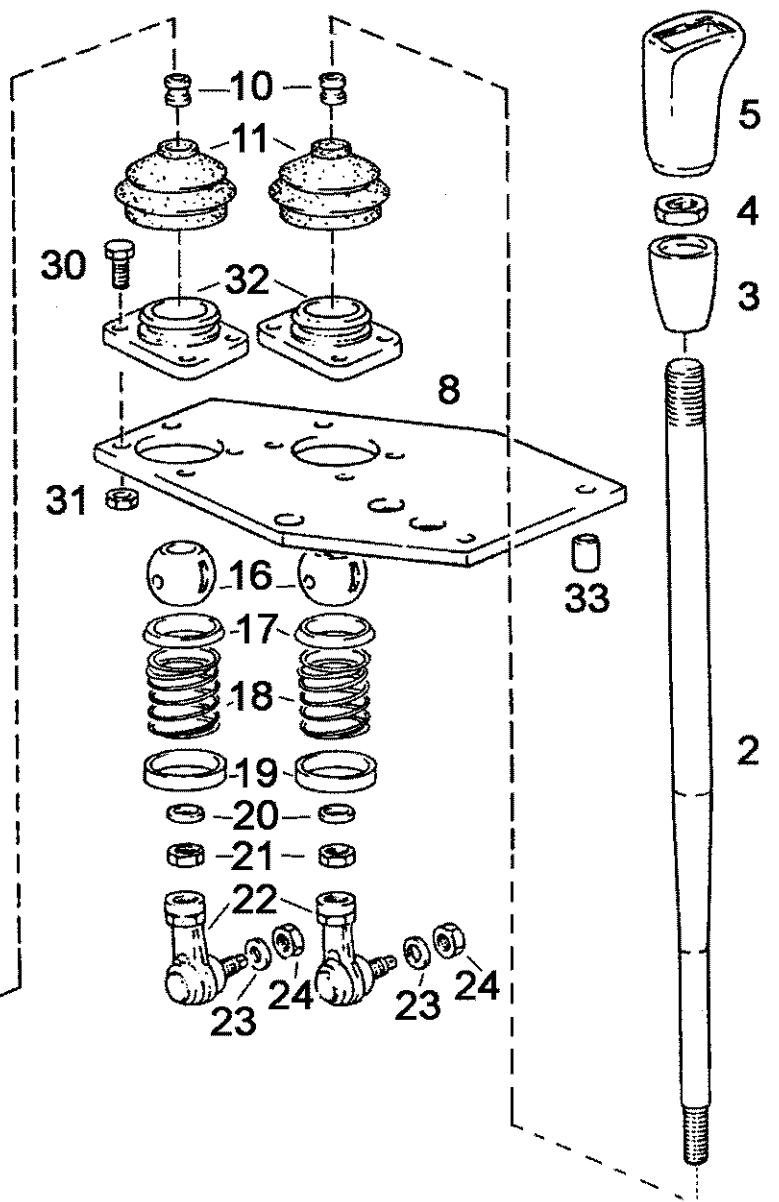
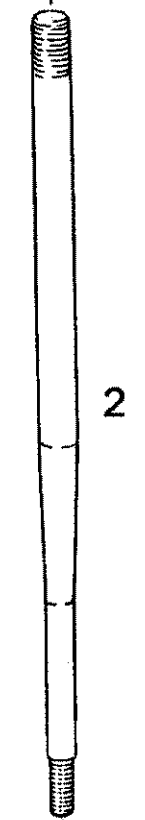
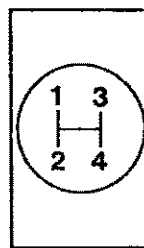
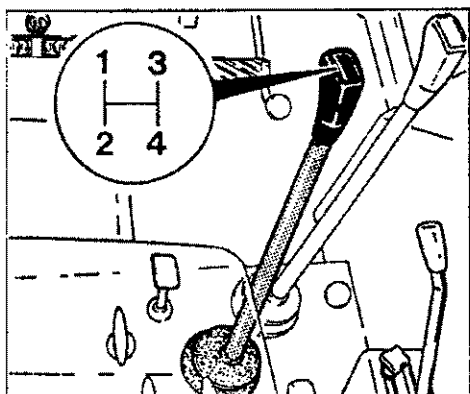
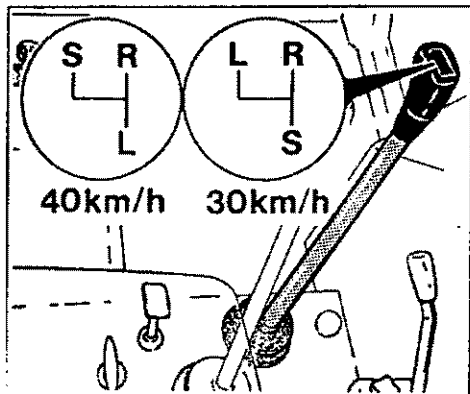
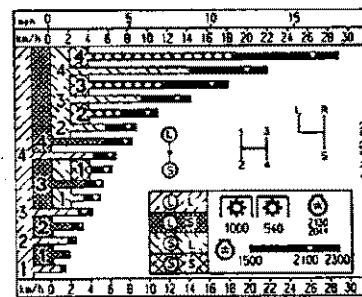
**30 km/h**



**40 km/h**

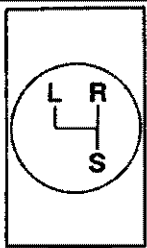


**25**

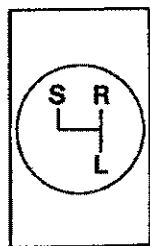


Ref	Onderdeelnummer	Kwt	Beschrijving
1	133700240201	1	SPEED CHANGE LEVER, , Vorschaltgruppe/Preselection group/Groupe preselecteur/Forkoblingsgruppe/Gruppo di preselezione
2	133700240202	1	SPEED CHANGE LEVER, , Gang/Gear/Vitesse/Gear/Marcia 1.- 4.
3	1-34-144-099	1	KABELDOORGANG,
4	1-34-144-098	2	MOER,
5	1-34-144-100	2	GRIP,
6	1-34-144-086	1	SYMBOLLEN, , 30 km/h
6	1-34-144-087	1	SYMBOLLEN, , 40 km/h
7	1-34-144-080	1	SYMBOLLEN,
8	1-34-544-066	1	PLATE, PIVOT,
10	1681270245	2	LAGER,KOPPELING DRUKPLAA,
11	1681270244	2	DICHTINGSSTUK,
16	133700240177	2	KOGEL,
17	1188240014	2	SHELL,
18	1188240015	2	SPRING, COMPRESSION,
19	133700240162	2	VEER,
20	190003930282	2	SCHIJF, , A13
21	337475	2	MOER, M12, CI 10,
22	199100240090	2	KOGELWRIGHT,
23	190003930271	2	SCHIJF, , A10,5-140HV-A3C
24	100016	2	MOER, M10, CI 8,
25	1-34-577-017	1	DECAL, , 30 km/h
25	1-34-577-016	1	DECAL, , 40 km/h
30	43127	8	BOUT, Hex, M8 x 25, 8.8,
31	43362	8	MOER, M8, CI 10,
32	133700240122	2	COVER, , Siehe nächste Seite(n)/See next page(s)/Voir page(s) suivante(s)/Se næste side(r)/Vedere pagin(a/e) sequent(e/i)
33	116002190199	2	LAGERBUS, , Siehe nächste Seite(n)/See next page(s)/Voir page(s) suivante(s)/Se næste side(r)/Vedere pagin(a/e) sequent(e/i)

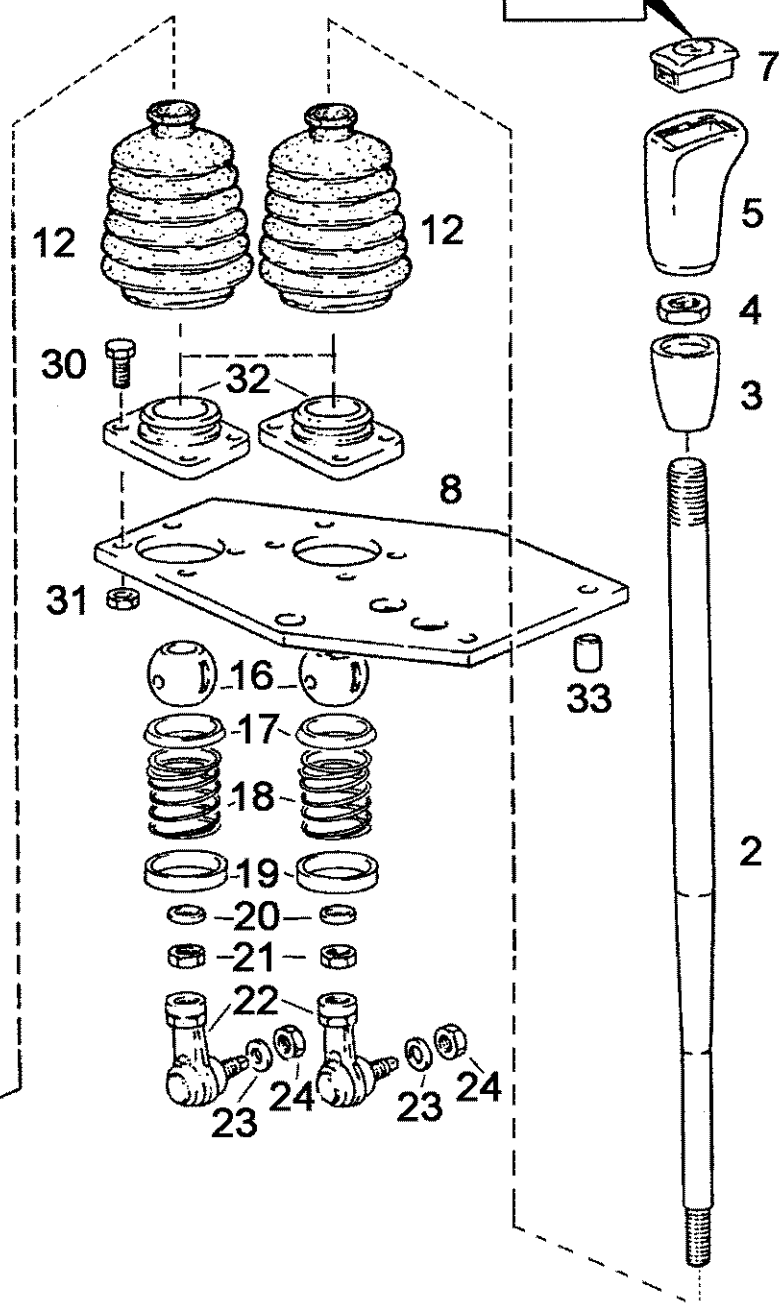
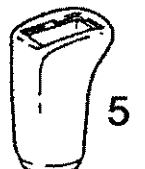
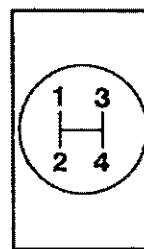
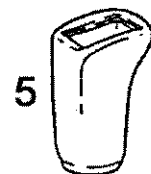
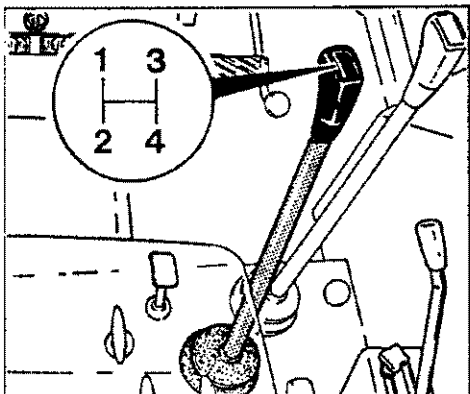
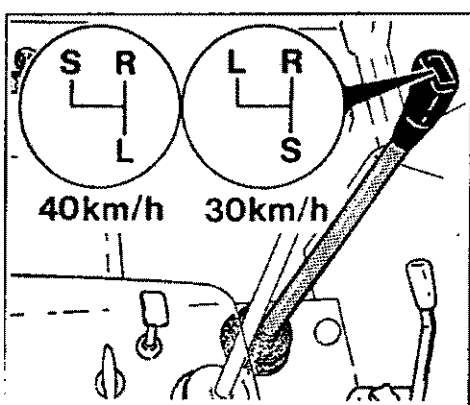
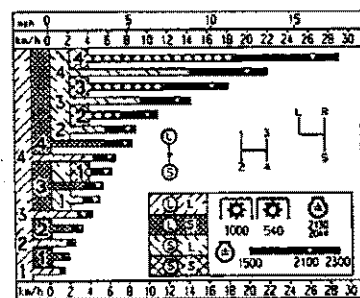
**30 km/h**



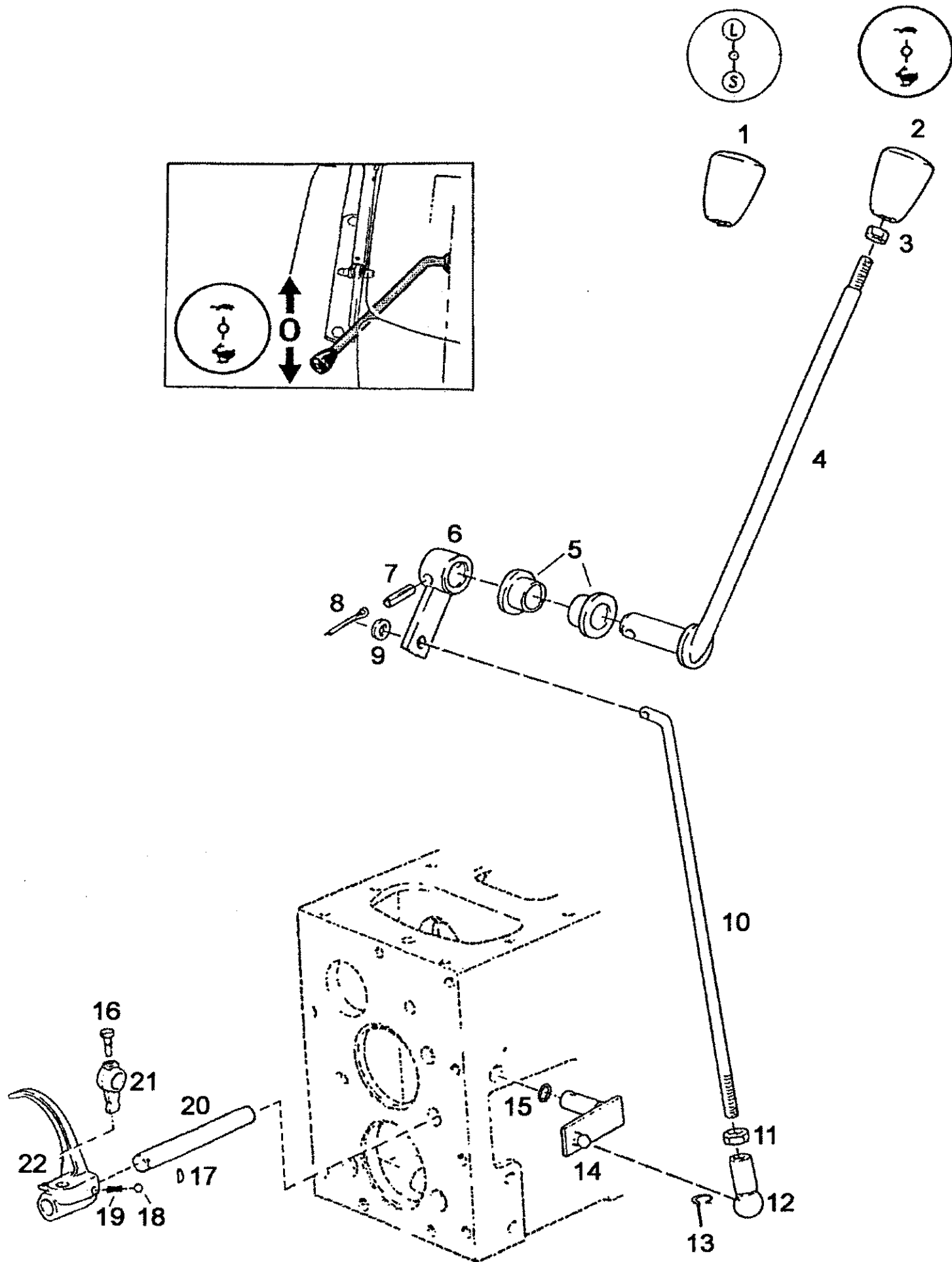
**40 km/h**



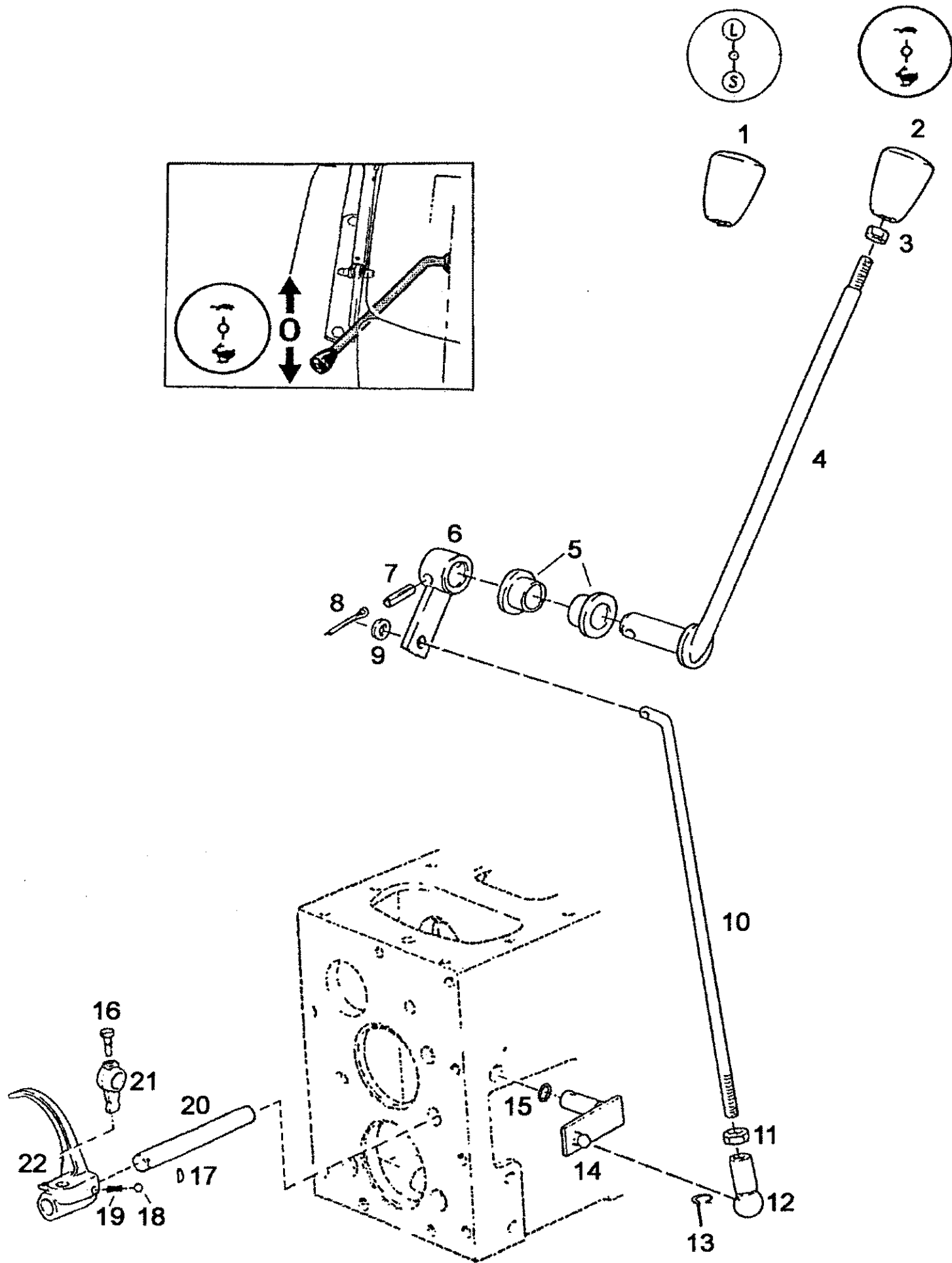
**25**



Ref	Onderdeelnummer	Kwt	Beschrijving
1	133700240201	1	SPEED CHANGE LEVER, , Vorschaltgruppe/Preselection group/Groupe preselecteur/Forkoblingsgruppe/Gruppo di preselezione
2	133700240202	1	SPEED CHANGE LEVER, , Gang/Gear/Vitesse/Gear/Marcia 1.- 4.
3	1-34-144-099	1	KABELDOORGANG,
4	1-34-144-098	2	MOER,
5	1-34-144-100	2	GRIP,
6	1-34-144-086	1	SYMBOLLEN, , 30 km/h
6	1-34-144-087	1	SYMBOLLEN, , 40 km/h
7	1-34-144-080	1	SYMBOLLEN,
8	1-34-544-066	1	PLATE, PIVOT,
12	1-34-144-021	2	BLAASBALG,
16	133700240177	2	KOGEL,
17	1188240014	2	SHELL,
18	1188240015	2	SPRING, COMPRESSION,
19	133700240162	2	VEER,
20	190003930282	2	SCHIJF, , A13
21	337475	2	MOER, M12, CI 10,
22	199100240090	2	KOGELWRIGHT,
23	190003930271	2	SCHIJF, , A10,5-140HV-A3C
24	100016	2	MOER, M10, CI 8,
25	1-34-577-017	1	DECAL, , 30 km/h
25	1-34-577-016	1	DECAL, , 40 km/h
30	43127	8	BOUT, Hex, M8 x 25, 8.8,
31	43362	8	MOER, M8, CI 10,
32	133700240122	2	COVER, , Siehe nächste Seite(n)/See next page(s)/Voir page(s) suivante(s)/Se næste side(r)/Vedere pagin(a/e) sequent(e/i)
33	116002190199	2	LAGERBUS, , Siehe nächste Seite(n)/See next page(s)/Voir page(s) suivante(s)/Se næste side(r)/Vedere pagin(a/e) sequent(e/i)

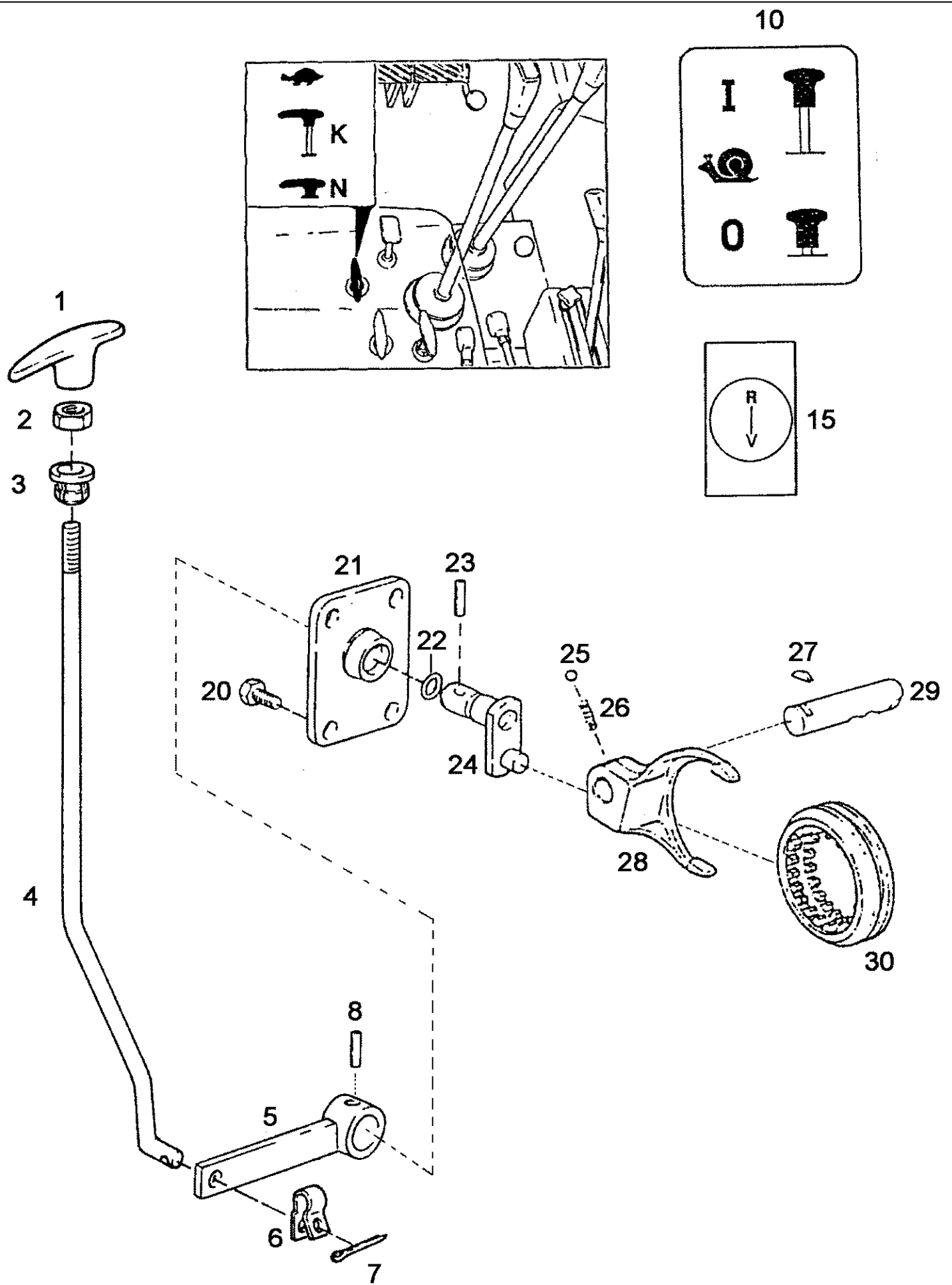


Ref	Onderdeelnummer	Kwt	Beschrijving
1	1188240043	1	HENDEL,
2	1-34-544-327	1	HENDEL, , Ersetzt/Replaces/Remplace/Udskiftet/Sostituisce 1188240043
3	43362	1	MOER, M8, CI 10,
4	1-34-544-407	1	HEFBOOM,
5	1-34-544-409	2	LAGERBUS,
6	1-34-544-402	1	AANDRIJFKLAUW,
7	190003909650	1	SPANSTIFT, , 6x26
8	190003920221	1	SPLITPEN, , 3,2x18
9	190003930261	1	SLUITRING, , A8,4
10	1-34-544-404	1	TREKBOOM,
11	43362	1	MOER, M8, CI 10,
12	190003963623	1	KOGELGEWRIGHT, , B13
13	190003936514	1	SCHARNIER, , S13
14	133700240147	1	HEFBOOM,
15	1188270029	1	O-RING, , 13x2,5-NBR-70
16	12700240064	1	SCHROEF,
17	190003960802	1	WOODRUFF KEY, , 3x6,5
18	190003330148	1	KOGEL, , Ø 8,0mm
19	1206240018	1	SPRING, COMPRESSION,
20	133700240080	1	STANG, , Siehe nächste Seite(n)/See next page(s)/Voir page(s) suivante(s)/Se næste side(r)/Vedere pagin(a/e) sequent(e/i)
21	1188270053	1	KOPPELINGSKLAUW, BEWEGEND, , Siehe nächste Seite(n)/See next page(s)/Voir page(s) suivante(s)/Se næste side(r)/Vedere pagin(a/e) sequent(e/i)
22	133700240086	1	STEEKVORK, , Siehe nächste Seite(n)/See next page(s)/Voir page(s) suivante(s)/Se næste side(r)/Vedere pagin(a/e) sequent(e/i)

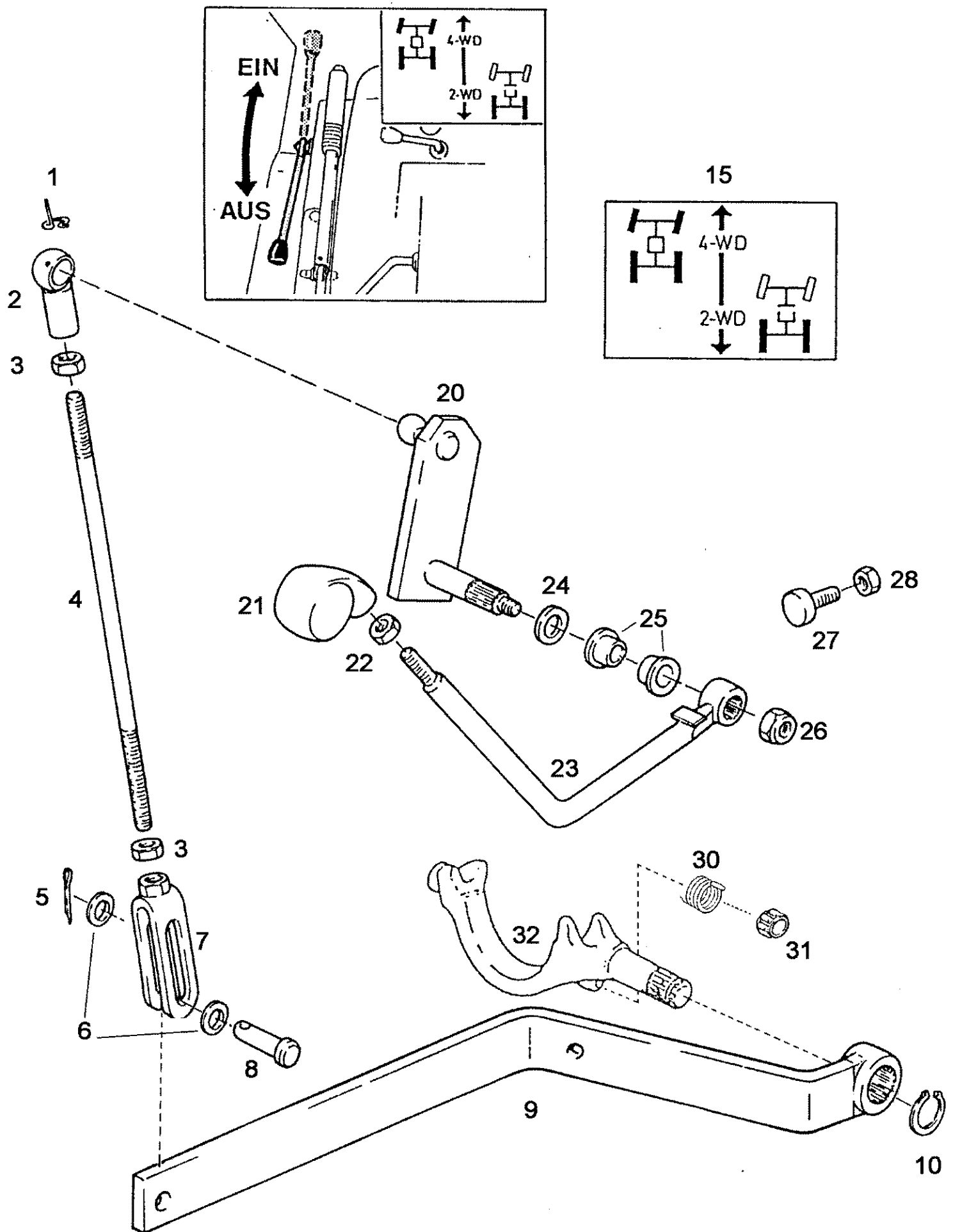




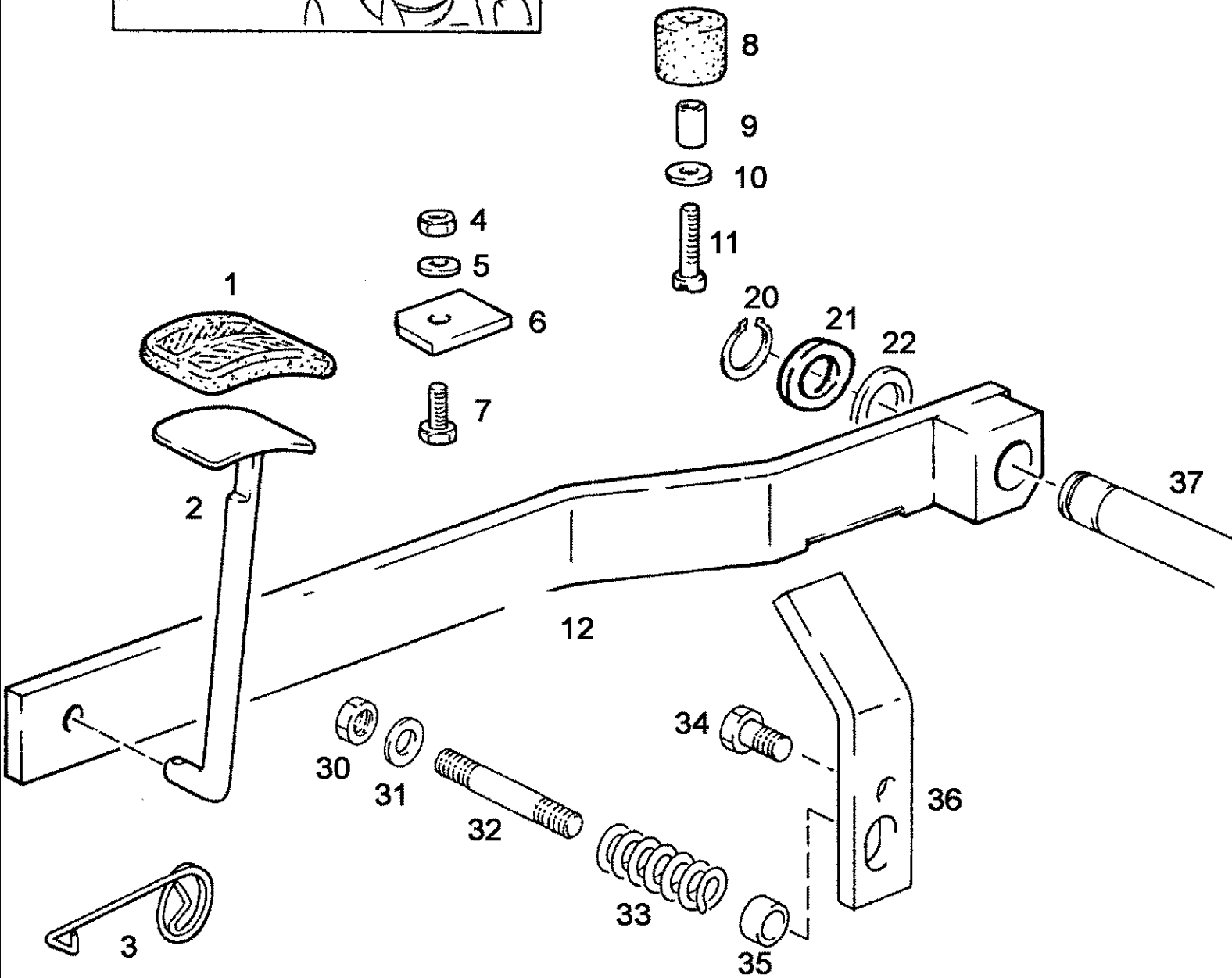
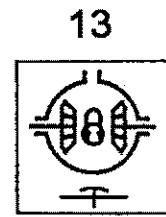
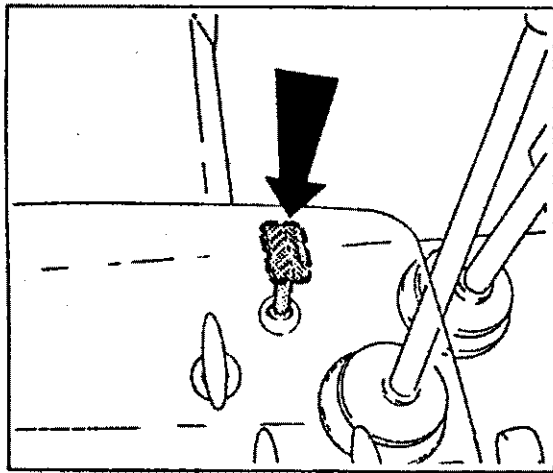
Ref	Onderdeelnummer	Kwt	Beschrijving
1	1188240043	1	HENDEL,
2	1-34-544-327	1	HENDEL, , Ersetzt/Replaces/Remplace/Udskiftet/Sostituisce 1188240043
3	43362	1	MOER, M8, CI 10,
4	1-34-544-407	1	HEFBOOM,
5	1-34-544-409	2	LAGERBUS,
6	1-34-544-402	1	AANDRIJFKLAUW,
7	190003909650	1	SPANSTIFT, , 6x26
8	190003920221	1	SPLITPEN, , 3,2x18
9	190003930261	1	SLUITRING, , A8,4
10	1-34-544-404	1	TREKBOOM,
11	43362	1	MOER, M8, CI 10,
12	190003963623	1	KOGELGEWRIGHT, , B13
13	190003936514	1	SCHARNIER, , S13
14	133700240147	1	HEFBOOM,
15	1188270029	1	O-RING, , 13x2,5-NBR-70
16	12700240064	1	SCHROEF,
17	190003960802	1	WOODRUFF KEY, , 3x6,5
18	190003330148	1	KOGEL, , Ø 8,0mm
19	1206240018	1	SPRING, COMPRESSION,
20	133700240080	1	STANG, , Siehe nächste Seite(n)/See next page(s)/Voir page(s) suivante(s)/Se næste side(r)/Vedere pagin(a/e) sequent(e/i)
21	1188270053	1	KOPPELINGSKLAUW, BEWEGEND, , Siehe nächste Seite(n)/See next page(s)/Voir page(s) suivante(s)/Se næste side(r)/Vedere pagin(a/e) sequent(e/i)
22	133700240079	1	STEEKVORK, , Siehe nächste Seite(n)/See next page(s)/Voir page(s) suivante(s)/Se næste side(r)/Vedere pagin(a/e) sequent(e/i)



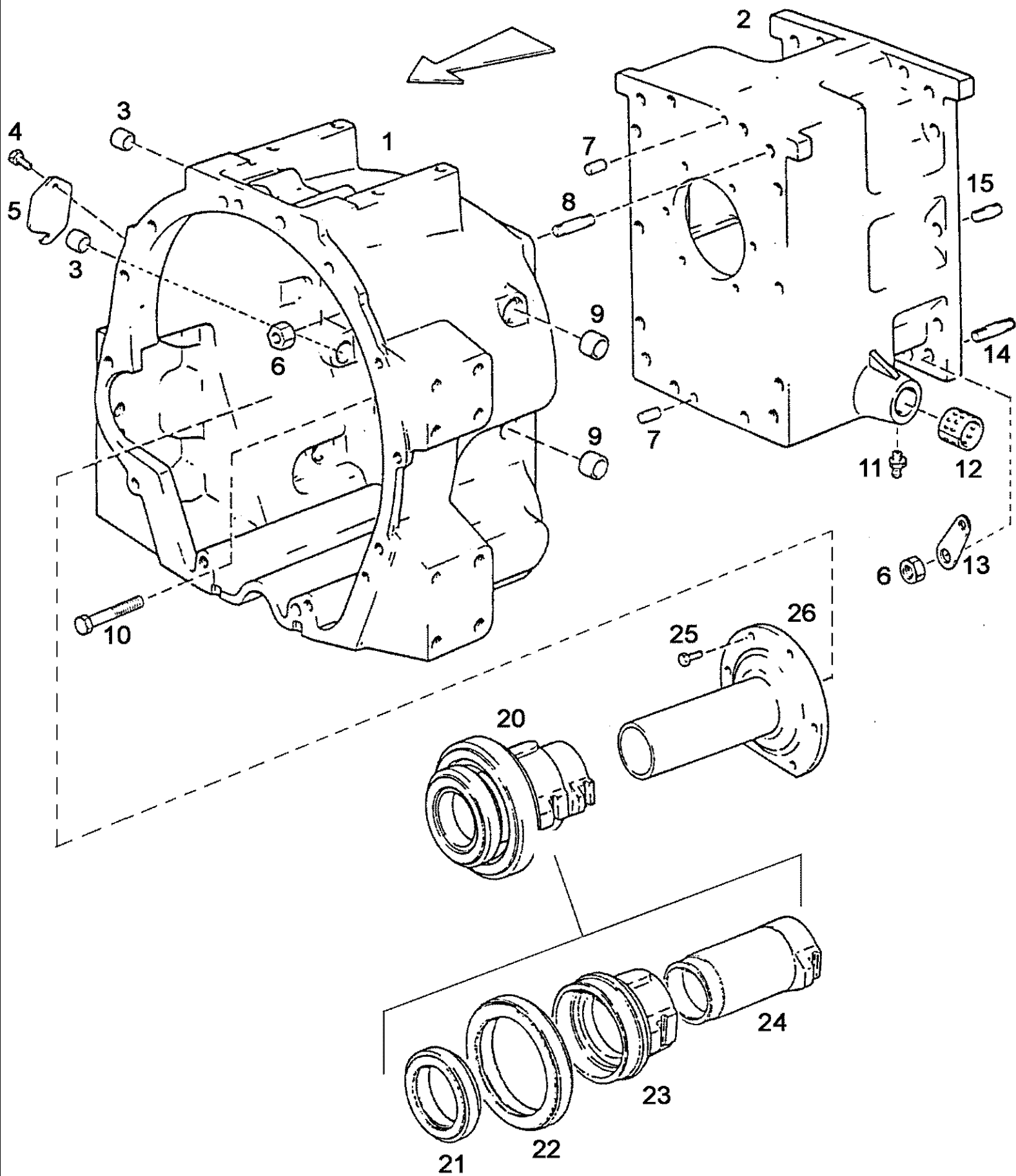
Ref	Onderdeelnummer	Kwt	Beschrijving
1	1-99-970-005	1	HENDEL,
2	43362	1	MOER, M8, CI 10,
3	137700750100	1	LAGERBUS,
4	1-34-544-231	1	TREKBOOM,
5	133700272046	1	HEFBOOM,
6	1397750128	1	VEER,
7	190003920211	1	SPLITPEN, , 3,2x14
8	190003909653	1	SPLITPEN, , 8x36
10	1-34-544-242	1	DECAL,
15	1-34-144-085	1	DECAL,
20	9706687	4	BOUT, Hex, M12 x 30, 8.8,
21	133700210037	1	COVER,
22	1188270029	1	O-RING, , 13x2,5-NBR-70
23	190003909653	1	SPLITPEN, , 8x36
24	133700280008	1	VINGER,
25	190003330148		KOGEL, , Ø 8,0mm
26	1206240018	1	SPRING, COMPRESSION,
27	190003960802	1	WOODRUFF KEY, , 3x6,5
28	133700280011	1	STEEKVORK, , Siehe nächste Seite(n)/See next page(s)/Voir page(s) suivante(s)/Se næste side(r)/Vedere pagin(a/e) sequent(e/i)
29	133700280010	1	AS, , Siehe nächste Seite(n)/See next page(s)/Voir page(s) suivante(s)/Se næste side(r)/Vedere pagin(a/e) sequent(e/i)
30	1192280010	1	SLEEVE, TRANSMISSION, , Siehe Kriechgang/See creep speed /Voir reducteur de vitesse/Se krybegang/Vedere prima ridotta



Ref	Onderdeelnummer	Kwt	Beschrijving
1	190003936519	1	BAIL, , S16-A3C
2	190003963626	1	CUP, BALL, , B16-A3C
3	100016	2	MOER, M10, CI 8,
4	1-34-544-049	1	SCHROEFSTANG,
5	190003920217	1	SPLITPEN, , 3,2x16
6	190003930271	1	SCHIJF, , A10,5-140HV-A3C
7	1-34-544-052	1	GAFFEL,
8	190003903734	1	PIN, LARGE,
9	1-34-544-540	1	HEFBOOM,
10	190003933083	1	SLUITRING, , 19x1,2
15	1-34-477-110	1	DECAL,
20	1-34-544-538	1	AANDRIJFKLAUW,
21	1397730120	1	HENDEL,
22	905852R1	1	MOER, Thin, M8 x 1.25, CI 04, LH, , BM8
23	1-34-544-504	1	HEFBOOM,
24	190003930282	1	SCHIJF, , A13
25	1-34-643-110	2	LAGERBUS, , Ø 12,15
26	190003888451	1	MOER, , VM8-8
27	1-34-643-012	1	AFSCHERMING,
28	15896221	1	MOER, M6, CI 10, , M6-8-A2C, DIN934
30	153700290013	1	VEER,
31	1480270052	1	LAGER, NAALD,
32	153700290011	1	CRADLE, , Siehe Allradantrieb/See all-wheel-drive/Voir quatre-roues directrices/Se firhjulstræk/Vedere trazione integrale

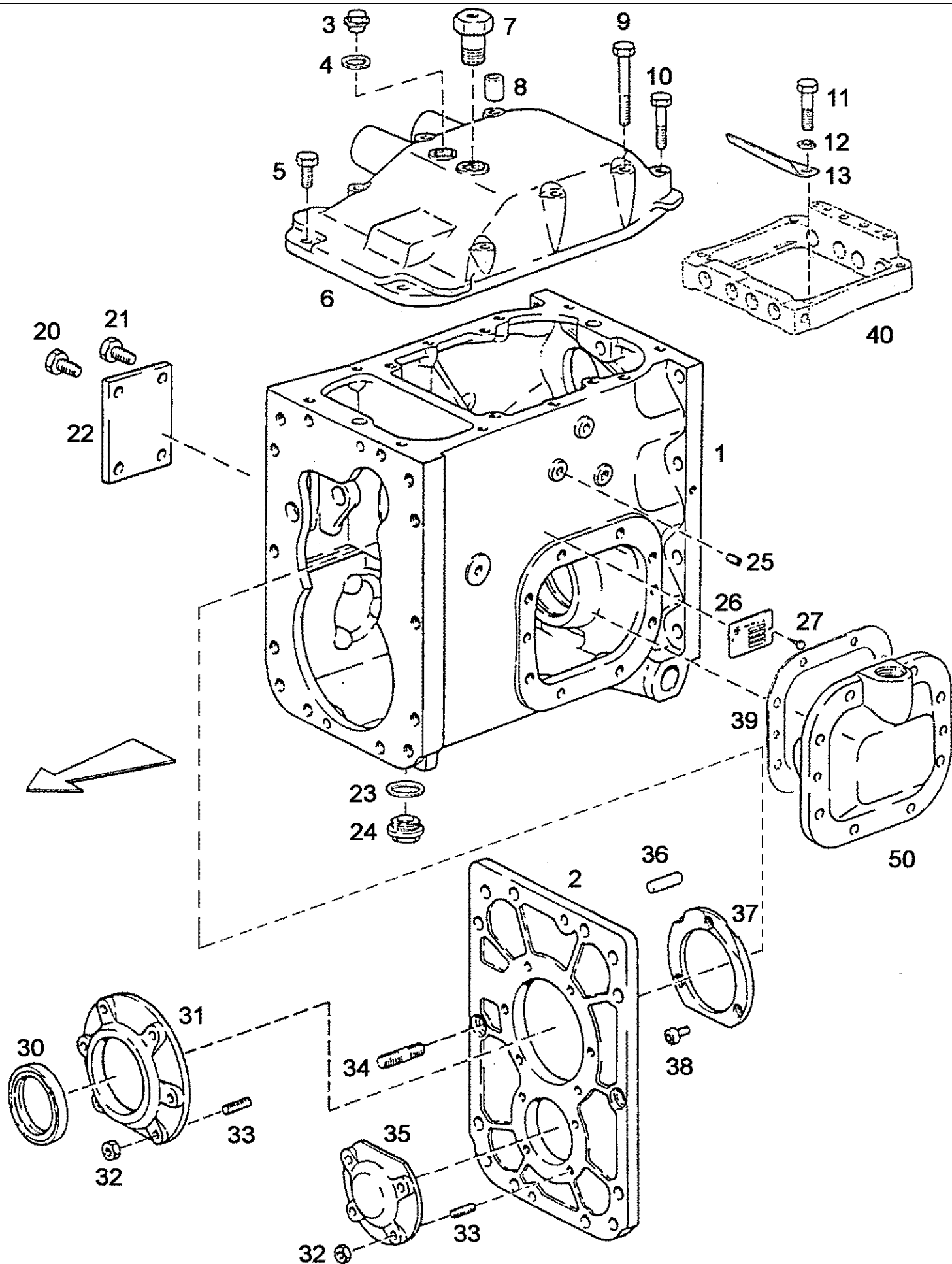


Ref	Onderdeelnummer	Kwt	Beschrijving
1	1-34-444-035	1	RUBBER,
2	1-34-444-047	1	BASIS,
3	1-34-444-042	1	VEER,
4	190003802336	1	SCHROEF, , M6x25-8.8
5	190003930251	2	SCHIJF, , A6,4-140HV-A3C
6	1-34-544-536	1	PLAAT,
7	86508568	1	BOUT, Hex, M6 x 16, 8.8,
8	1181A130007	1	BUFFER, RUBBER,
9	199014360123	1	OPVULPIJP,
10	190003936100	2	SLUITRING, , 5,3-140HV-A3C
11	190003820167	1	SCHROEF, , M5x30
12	1-33-132-003	1	HEFBOOM,
13	1-34-577-319	1	DECAL,
20	190003933100	1	RING, SNAP, , 20x1,2
21	1586230022	1	SCHIJF,
22	1406070015	2	O-RING,
30	190003888452	1	MOER, , VM10-8
31	190003930271	1	SCHIJF, , A10,5-140HV-A3C
32	190003813571	1	TAPEIND, , M10x90-8.8
33	1-34-444-023	1	SPRING, COMPRESSION,
34	190003802527	1	SCHROEF, , M10x30-8.8
35	159000570011	1	AFSTANDSSTUK VOOR BUIZEN,
36	133700320212	1	HOEKSTUK, , Siehe Hinterachsgehäuse/See rear-axle housing/Voir carter de point arriere/Se bagakselhus/Vedere scatola ponte
37	133700320023	1	AS, , Siehe Hinterachs Antrieb/See rear-axle drive/Voir propulsion arriere/Se baghjulstræk/Vedere trazione posteriore

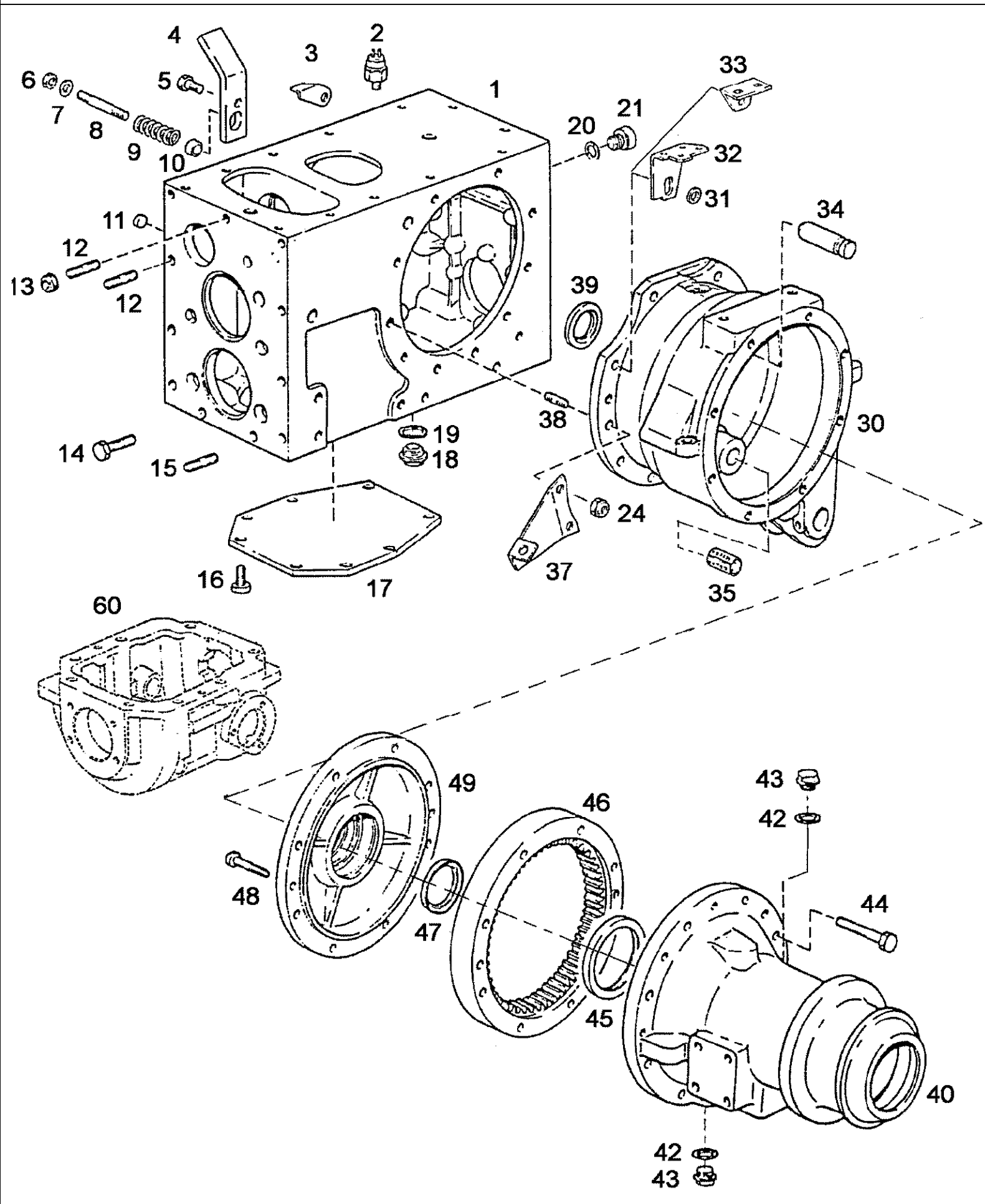




Ref	Onderdeelnummer	Kwt	Beschrijving
1	133700210090	1	HUIS,
2	133700210087	1	HUIS,
3	1192210033	2	LAGERBUS,
4	336199	2	BOUT, Hex, M8 x 12, 8.8, Full Thd, , M8x12-8.8
5	1288210028	1	COVER,
6	832-41312	31	NUT, LOCK, M12 x 1.75, CI 10,
7	190003901512	2	PEN, , 10m6x20
8	190003813647	12	TAPEIND, , M12x55-10.9
9	133700210105	2	BUSHING, LARGE, , Wahlweise/Optional/En option/Efter valg/A scelta
9	180402190108	2	LAGERBUS, , Wahlweise/Optional/En option/Efter valg/A scelta
10	190003800661	1	SCHROEF, , M12x85-8.8-A3C
11	190003963112	2	SMEERNIPPEL, , AM8x1
12	1288210051	2	LAGERBUS,
13	1288350094	2	VERWISSELBAAR RISTERVOORS,
14	190003813647	2	TAPEIND, , M12x55-10.9
15	190003813634	13	TAPEIND, , M12x35-10.9
20	133700210051	1	KOPPELFLENS, , Besteht aus/Consists of/Compose de/Bestående af/È composto da 21 - 24
21	133700210065	1	LAGER, KOGEL,
22	133700210066	1	LAGER, KOGEL,
23	133700210064	1	HUIS,
24	133700210063	1	HUIS,
25	190003802418	6	SCHROEF, , M8x20-8.8
26	133700210127	1	FLENS,

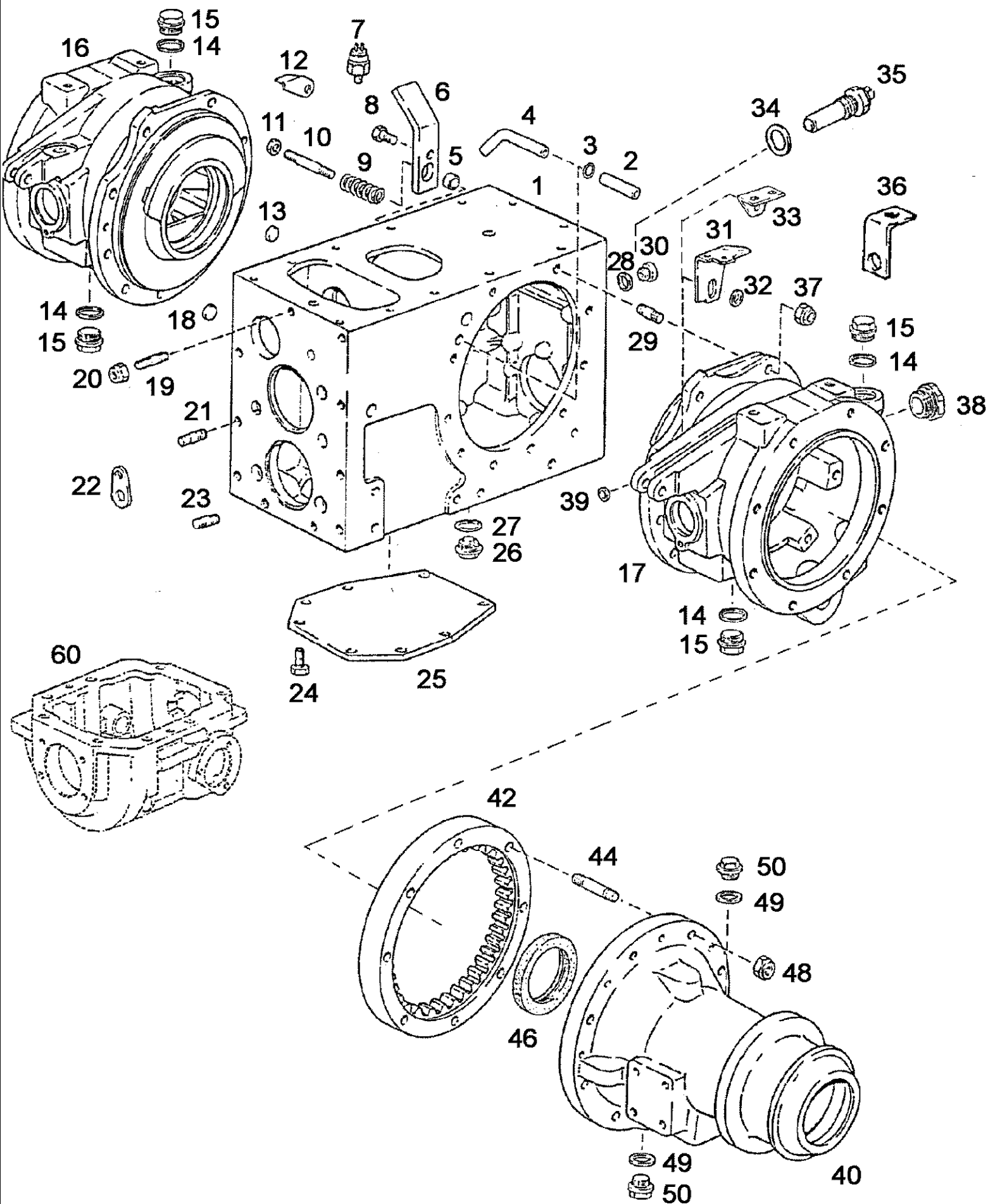


Ref	Onderdeelnummer	Kwt	Beschrijving
1	133700210054	1	HUIS,
2	133700210028	1	IDENTIFICATIEPLAAT,
3	190003962030	1	PLUG, Hex Wash Hd, M18 x 1.5, , A-M18x1,5
4	190003098020	1	DICHTINGSRING, , A18x22-CU
5	11106231	2	BOUT, Hex, M10 x 25, 10.9, Full Thd, , M10x25-8.8
6	133700210038	1	DEKSEL,
7	199000410120	1	ONTLUCHTER,
8	116002190199	2	LAGERBUS,
9	190003800571	4	SCHROEF, , M10x80-8.8
10	190003802547	4	SCHROEF, , M10x50-8.8
11	190003802542	1	SCHROEF, , M10x45-8.8
12	190003931122	1	BORGRING, , A10
13	133700210098	1	COVER, PROTECTIVE,
20	43151	3	BOUT, Hex, M12 x 20, 8.8, Full Thd, , M12x20-8.8
21	190003802622	1	SCHROEF, , M12x25-8.8
22	133700210078	1	COVER,
23	190003098086	1	DICHTINGSRING, , A30x36-CU
24	133700210024	1	SCHROEF,
25	190003902277	2	PEN, , M8x12
26	155700733051	1	PEN,
27	155700733047	2	KLINKNAGEL,
30	190003074349	1	DICHTINGSSTUK, , 60x80x13
31	135700210005	1	DEKSEL,
32	825-1408	10	MOER, M8, CI 8,
33	190003813434	10	TAPEIND, , M8x25-8.8
34	190003813643	14	TAPEIND, , M12x50-10.9
35	135700210004	1	COVER,
36	190003900106	2	PEN, , 10M6x32-ST
37	133700210035	1	HOUDER,
38	190003862017	3	SCHROEF, Cross Csk Hd, M8 x 20, 8.8, , M8x20-8.8
39	133700270047	X	SLUITRING, , 0,1mm
39	133700270048	X	SLUITRING, , 0,2mm
40	133700240048	1	RAAM, , Siehe nächste Seite(n)/See next page(s)/Voir page(s) suivante(s)/Se næste side(r)/Vedere pagin(a/e) seguent(e/i)
50	133700272084	1	COVER, , Siehe nächste Seite(n)/See next page(s)/Voir page(s) suivante(s)/Se næste side(r)/Vedere pagin(a/e) seguent(e/i)



Ref	Onderdeelnummer	Kwt	Beschrijving
1	133700210112	1	HOUSING, AXLE,
2	135700710020	1	CONTACT ELEKTR./HYDR.,
3	1680360005	1	VERWISSELBAAR RISTERVOORS,
4	133700320183	1	HOEKSTUK,
5	190003802527	1	SCHROEF, , M10x30-8.8
6	190003888452	1	MOER, , VM10-8
7	190003930271	1	SCHIJF, , A10,5-140HV-A3C
8	190003813571	1	TAPEIND, , M10x90-8.8
9	1-34-444-023	1	SPRING, COMPRESSION,
10	159000570011	1	AFSTANDSSTUK VOOR BUIZEN,
11	190003989297	2	PLUG, , 18/8-ST
12	190003813634	16	TAPEIND, , M12x35-10.9
12	190003813643	1	TAPEIND, , M12x50-10.9
13	832-41312	20	NUT, LOCK, M12 x 1.75, CI 10,
14	190003802639	4	SCHROEF, , M12x40-10.9
15	190003813636	8	TAPEIND, , M12x40-10.9
16	190003802622	8	SCHROEF, , M12x25-8.8
17	133700210044	1	COVER,
18	133700210024	1	SCHROEF,
19	190003098086	1	DICHTINGSRING, , A30x36-CU
20	190003098020	1	DICHTINGSRING, , A18x22-CU
21	190003962035	1	SCHROEF, , M18x1,5
30	1295330020	1	HUIS, , Links/Left/Gauche/Venstre/Sinistro - Einschließlich/Includes/Avec/Inklusive/Compreso 34
30	1295330022	1	HUIS, , Rechts/Right/Droite/Højre/Destra - Einschließlich/Includes/Avec/Inklusive/Compreso 34
31	190003930282	1	SCHIJF, , A13
32	135700710016	1	GUIDE, LEVERS, , ----> .....
33	153700320038	1	GUIDE, LEVERS, , ..... ---->
34	133700340047	2	PIN, LARGE,
35	1295340026	2	LAGERBUS,
37	133700350161	1	SUPPORT, , Links/Left/Gauche/Venstre/Sinistro
37	133700350160	1	SUPPORT, , Rechts/Right/Droite/Højre/Destra
38	190003813634	20	TAPEIND, , M12x35-10.9
39	190003070040	2	DICHTINGSRING,
40	1190330012	1	SHAFT HOUSING, , Links/Left/Gauche/Venstre/Sinistro
40	1190330013	1	SHAFT HOUSING, , Rechts/Right/Droite/Højre/Destra
42	190003098026	4	DICHTINGSRING, , A22x27-CU
43	190003962038	4	PLUG, Hex Wash Hd, M22 x 1.5, , A-M22x1,5
44	190003802681	16	SCHROEF, , M12x100-8.8
45	190003074471	2	DICHTINGSRING,
46	1192320031	2	RING, ZWENKEND, , 57T
47	190003070017	2	DICHTINGSRING,

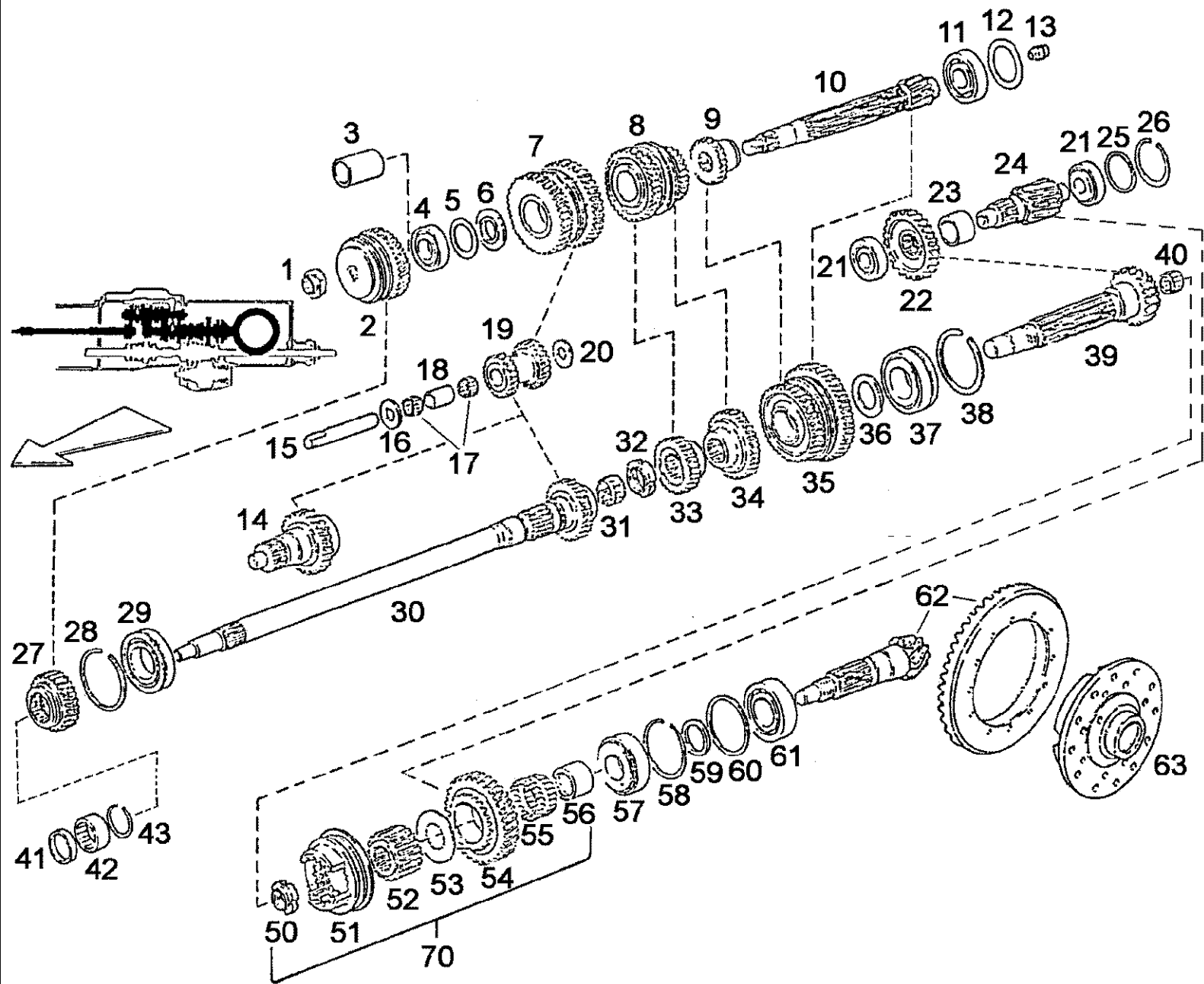
Ref	Onderdeelnummer	Kwt	Beschrijving
48	190003862552	4	SCHROEF, , M10x60-8.8-A3C
49	133700330041	2	BEARING COVER,
60	153700290019	1	HUIS, , Ersetzt/Replaces/Remplace/Udskiftet/Sostituisce 153700290008 - Siehe nächste Seite(n)/See next page(s)/Voir page(s) suivante(s)/Se næste side(r)/Vedere pagin(a/e) sequent(e/i)



Ref	Onderdeelnummer	Kwt	Beschrijving
1	153700210014	1	HOUSING, AXLE,
2	153700210020	1	BUISJE,
3	1406070015	1	O-RING,
4	153700210016	1	BUISJE,
5	159000570011	1	AFSTANDSSTUK VOOR BUIZEN,
6	133700320212	1	HOEKSTUK,
7	135700710020	1	CONTACT ELEKTR./HYDR.,
8	190003802527	1	SCHROEF, , M10x30-8.8
9	1-34-444-023	1	SPRING, COMPRESSION,
10	190003813568	1	TAPEIND,
11	190003888452	1	MOER, , VM10-8
12	1680360005	1	VERWISSELBAAR RISTERVOORS,
13	190003989283	1	PLUG, , 16/10-ST-A3C
14	190003098086	4	DICHTINGSRING, , A30x36-CU
15	190003962051	4	AFTAPPLUG, , C-M30x1,5
16	133700330081	1	HUIS, , Rechts/Right/Droite/Højre/Destra
17	133700330080	1	HUIS, , Links/Left/Gauche/Venstre/Sinistro
18	190003989297	2	PLUG, , 18/8-ST
19	190003813643	1	TAPEIND, , M12x50-10.9
20	832-41312	11	NUT, LOCK, M12 x 1.75, CI 10,
21	190003813636	8	TAPEIND, , M12x40-10.9
22	1288350094	1	VERWISSELBAAR RISTERVOORS,
23	190003813634	2	TAPEIND, , M12x35-10.9
24	190003802622	8	SCHROEF, , M12x25-8.8
25	133700210044	1	COVER,
26	133700210024	1	SCHROEF,
27	190003098086	1	DICHTINGSRING, , A30x36-CU
28	190003098020	1	DICHTINGSRING, , A18x22-CU
29	190003813634	20	TAPEIND, , M12x35-10.9
30	190003962035	1	SCHROEF, , M18x1,5
31	135700710016	1	GUIDE, LEVERS, , ----> .....
32	190003930282	1	SCHIJF, , A13
33	153700320038	1	GUIDE, LEVERS, , ..... ---->
34	1586270015	X	SLUITRING, , 0,5mm
34	1397210093	X	SLUITRING, , 0,9mm
34	1397210089	X	SLUITRING, , 1,1mm
34	1397210090	X	SLUITRING, , 1,3mm
34	1397210091	X	SLUITRING, , 1,5mm
35	155700710026	1	SENSOR, , 71mm lg
36	155700330027	2	HOEKSTUK,
37	832-41312	20	NUT, LOCK, M12 x 1.75, CI 10,



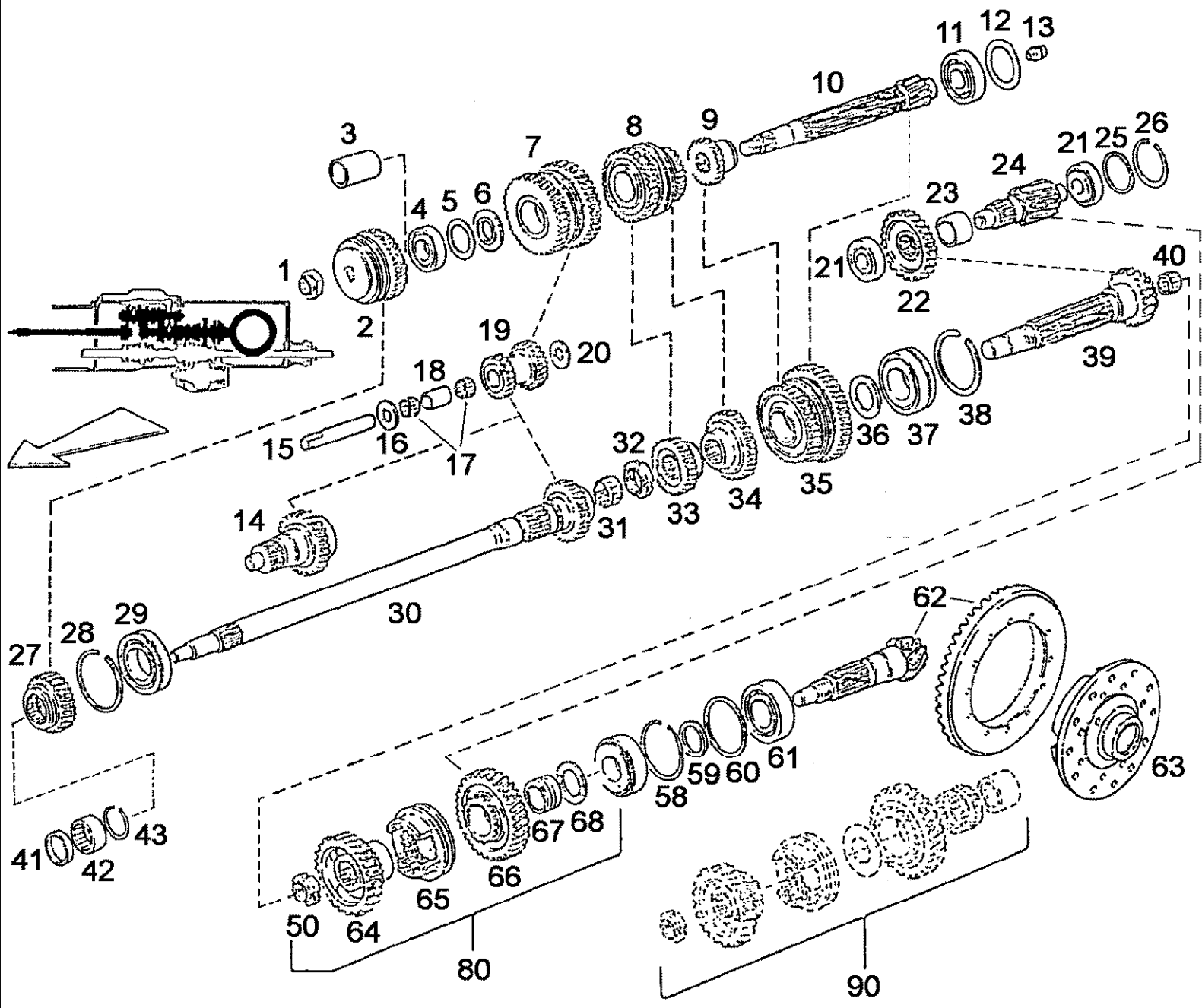
Ref	Onderdeelnummer	Kwt	Beschrijving
38	1397210072	1	KIJKGLAS,
39	190003989481	1	PLUG, , 12/8-ST-A3C
40	1190330012	1	SHAFT HOUSING, , Links/Left/Gauche/Venstre/Sinistro
40	1190330013	1	SHAFT HOUSING, , Rechts/Right/Droite/Højre/Destra
42	133700320209	2	RING, ZWENKEND, , 57T
44	190003810060	16	TAPEIND,
46	190003074471	2	DICHTINGSRING,
48	100038	16	NUT, LOCK, M12 x 1.75, CI 8,
49	190003098026	4	DICHTINGSRING, , A22x27-CU
50	190003962038	4	PLUG, Hex Wash Hd, M22 x 1.5, , A-M22x1,5
60	153700290019	1	HUIS, , Ersetzt/Replaces/Remplace/Udskiftet/Sostituisce 153700290008 - Siehe nächste Seite(n)/See next page(s)/Voir page(s) suivante(s)/Se næste side(r)/Vedere pagin(a/e) sequent(e/i)



Ref	Onderdeelnummer	Kwt	Beschrijving
1	1192220050	1	MOER,
2		1	, SYNCHRONISIERUNG/SYNCHRONIZER/SYNCHRONISEUR/SYNKRONISERING/SINCRONIZZAZIONE - Siehe nächste Seite(n)/See next page(s)/Voir page(s) suivante(s)/Se næste side(r)/Vedere pagin(a/e) sequent(e/i)
3	133700220178	1	AFSTANDSRING, , Siehe nächste Seite(n)/See next page(s)/Voir page(s) suivante(s)/Se næste side(r)/Vedere pagin(a/e) sequent(e/i)
4	190003320028	1	LAGER, KOGEL,
5	180410033	1	SLUITRING, , 0,5mm, Siehe nächste Seite(n)/See next page(s)/Voir page(s) suivante(s)/Se næste side(r)/Vedere pagin(a/e) sequent(e/i)
5	180410034	1	SLUITRING, , 1,0mm, Siehe nächste Seite(n)/See next page(s)/Voir page(s) suivante(s)/Se næste side(r)/Vedere pagin(a/e) sequent(e/i)
6	1288220037	1	WASHER, THRUST,
7		1	, SYNCHRONISIERUNG/SYNCHRONIZER/SYNCHRONISEUR/SYNKRONISERING/SINCRONIZZAZIONE - Siehe nächste Seite(n)/See next page(s)/Voir page(s) suivante(s)/Se næste side(r)/Vedere pagin(a/e) sequent(e/i)
8		1	, SYNCHRONISIERUNG/SYNCHRONIZER/SYNCHRONISEUR/SYNKRONISERING/SINCRONIZZAZIONE - Siehe nächste Seite(n)/See next page(s)/Voir page(s) suivante(s)/Se næste side(r)/Vedere pagin(a/e) sequent(e/i)
9	131700220037	1	TANDWIEL, , 16T
10	133700220433	1	TUSSENAS, , 13T, Einschließlich/Includes/Avec/Inklusive/Compreso 13
11	190003320043	1	LAGER, KOGEL,
12	1180A220033	1	SLUITRING, , 0,1mm
12	1180A220034	1	SLUITRING, , 0,2mm
13	133700220432	1	PLUG,
14	133700280029	1	SHAFT, DRIVE, , 33T, Siehe nächste Seite(n)/See next page(s)/Voir page(s) suivante(s)/Se næste side(r)/Vedere pagin(a/e) sequent(e/i)
15	133700220151	1	PIN, PIVOT, , Ø=18mm
16	133700220349	1	WASHER, THRUST,
17	133700220109	2	LAGER, NAALD, , K18x24x20A
18	133700220107	1	AFSTANDSRING,
19	133700220175	1	TANDWIEL BIJ WIEL, , 19/24T
20	133700220106	1	WASHER, THRUST, , ID=18mm
21	190003326215	2	LAGER, KOGEL,
22	133700220058	1	TANDWIEL, , 23T
23	133700220004	1	AFSTANDSRING,
24	133700220059	1	TUSSENAS, , 13T
25	133700220013	1	SLUITRING, , 1,50mm
25	133700220014	1	SLUITRING, , 1,62mm

Ref	Onderdeelnummer	Kwt	Beschrijving
25	133700220015	1	SLUITRING, , 1,86mm
25	133700220016	1	SLUITRING, , 1,98mm
26	190003934310	1	RING, SNAP, , 62x2
27	133700220110	1	TANDWIEL, , 31T, Ausführung/Version/Version/Type/Versione 30km/h
27	133700220330	1	TANDWIEL, , 37T, Ausführung/Version/Version/Type/Versione 40km/h
28	190003935363	1	VEERRING, , SP85
29	190003311127	1	LAGER, KOGEL,
30	133700220402	1	SHAFT, DRIVE, , 33T
31	133700220029	1	LAGER, NAALD, , K28x40x25JM
32	1192220082	1	NUT, SLOTTED,
33	131700220031	1	TANDWIEL, , 29T
34	1192220115	1	TANDWIEL, , 32T
35		1	, SYNCHRONISIERUNG/SYNCHRONIZER/SYNCHRONISEUR - Siehe nächste Seite(n)/See next page(s)/Voir page(s) suivante(s)/Se næste side(r)/Vedere pagin(a/e) sequent(e/i)
36	133700220056	1	WASHER, THRUST,
37	1292220132	1	LAGER, KOGEL,
38	190003935364	1	VEERRING, , SP90
39	133700220020	1	SHAFT, DRIVE, , 18T
40	1409020024	1	NEEDLE CAGE,
41	190003070001	1	DICHTINGSRING,
42	135700220001	1	LAGER, NAALD,
43	190003933323	1	RING, SNAP, , 42x2,5
50	1292220201	1	NUT, SLOTTED,
51	133700290106	1	SLEEVE, TRANSMISSION,
52	133700220134	1	TANDWIEL BIJ WIEL,
53	133700220132	1	SCHIJF,
54	133700220136	1	TANDWIEL, , 34T
55	133700270157	1	LAGER, NAALD, , K48/60/35
56	133700220135	1	LAGERBUS,
57	133700220146	1	LAGER, ROL,
58	190003934425	1	RING, SNAP, , 85x3
59	133700220180	1	SLUITRING, , 3,75mm
59	133700220181	1	SLUITRING, , 3,90mm
59	133700220182	1	SLUITRING, , 4,10mm
59	133700220185	1	SLUITRING, , 4,15mm
59	133700220186	1	SLUITRING, , 4,20mm
59	133700220187	1	SLUITRING, , 4,25mm
59	133700220183	1	SLUITRING, , 4,30mm
59	133700220184	1	SLUITRING, , 4,40mm
60	133700220024	1	SLUITRING, , 2,8mm
60	133700220025	1	SLUITRING, , 3,0mm

Ref	Onderdeelnummer	Kwt	Beschrijving
60	133700220026	1	SLUITRING, , 3,2mm
60	133700220147	1	SLUITRING, , 3,3mm
60	133700220027	1	SLUITRING, , 3,4mm
60	133700220142	1	SLUITRING, , 3,5mm
60	133700220143	1	SLUITRING, , 3,6mm
60	133700220144	1	SLUITRING, , 3,8mm
61	190003326627	1	LAGER, KOGEL,
62	133700320158	1	KONISCHE KOPPELINGEN, , 8/41 T
63		1	, DIFFERENTIALGEHÄUSE/DIFFERENTIAL HOUSING/NEZ DE PONT/DIFFERENTIALEHUS/SCATOLA DEL DIFFERENZIALE - Siehe nächste Seite(n)/See next page(s)/Voir page(s) suivante(s)/Se næste side(r)/Vedere pagin(a/e) sequent(e/i)
70		1	, SATZ/SET OF/JEU/SÆT/SERIE - Siehe nächste Seite(n)/See next page(s)/Voir page(s) suivante(s)/Se næste side(r)/Vedere pagin(a/e) sequent(e/i)

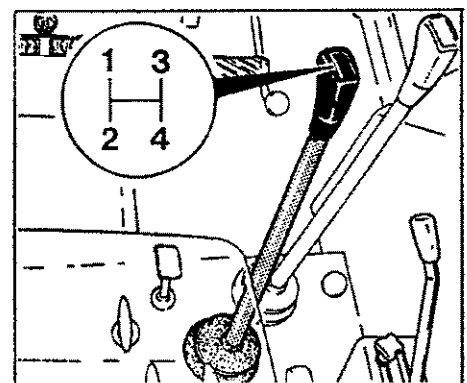
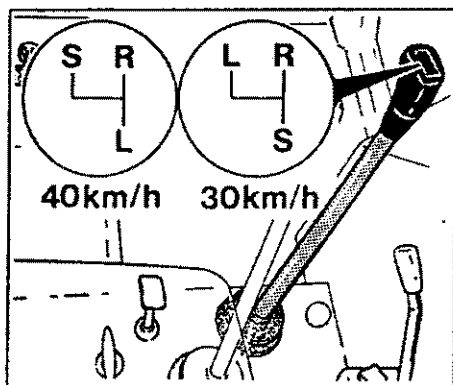
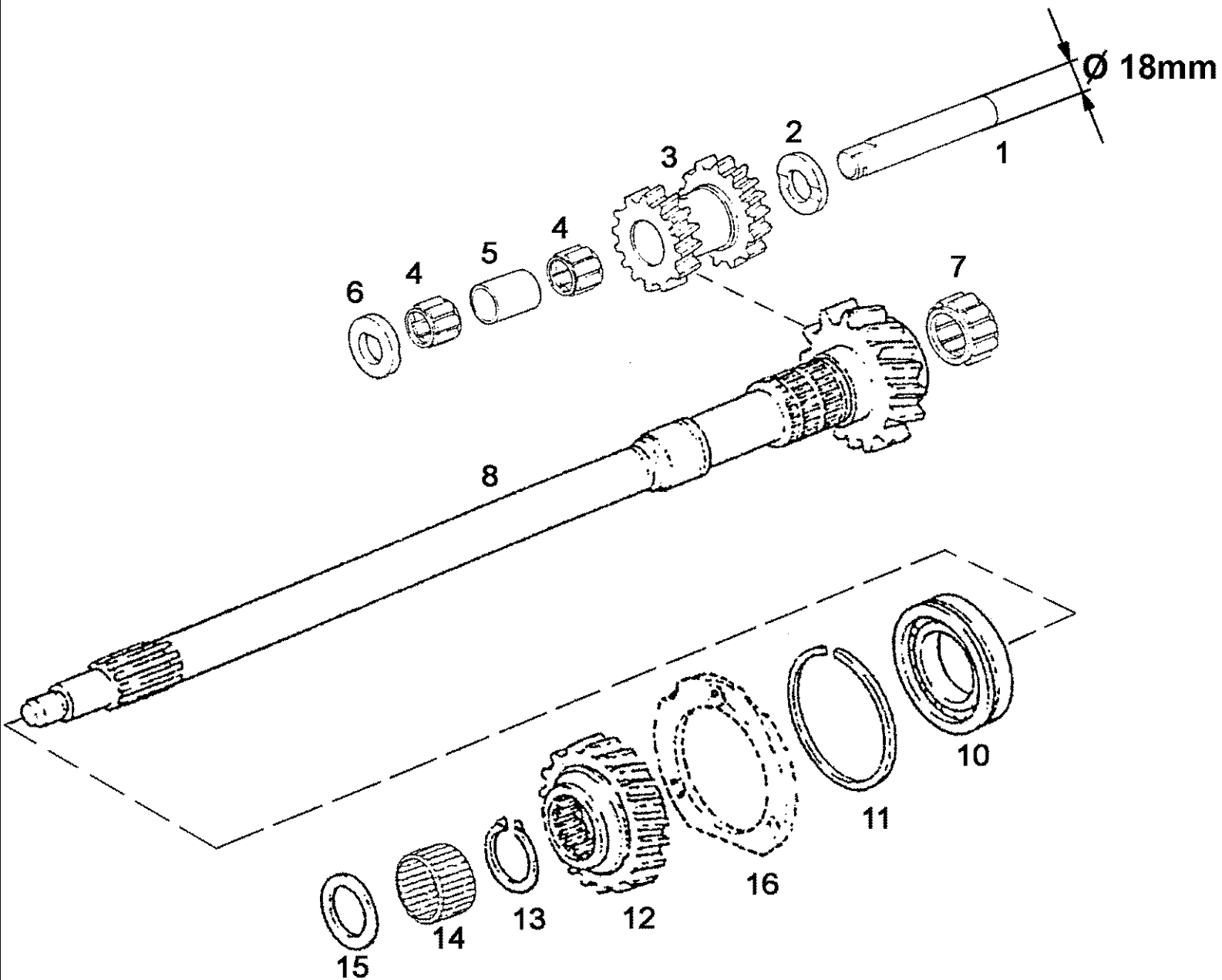


Ref	Onderdeelnummer	Kwt	Beschrijving
1	1192220050	1	MOER,
2		1	, SYNCHRONISIERUNG/SYNCHRONIZER/SYNCHRONISEUR/SYNKRONISERING/SINCRONIZZAZIONE - Siehe nächste Seite(n)/See next page(s)/Voir page(s) suivante(s)/Se næste side(r)/Vedere pagin(a/e) sequent(e/i)
3	133700220178	1	AFSTANDSRING, , Siehe nächste Seite(n)/See next page(s)/Voir page(s) suivante(s)/Se næste side(r)/Vedere pagin(a/e) sequent(e/i)
4	190003320028	1	LAGER, KOGEL,
5	180410033	1	SLUITRING, , 0,5mm, Siehe nächste Seite(n)/See next page(s)/Voir page(s) suivante(s)/Se næste side(r)/Vedere pagin(a/e) sequent(e/i)
5	180410034	1	SLUITRING, , 1,0mm, Siehe nächste Seite(n)/See next page(s)/Voir page(s) suivante(s)/Se næste side(r)/Vedere pagin(a/e) sequent(e/i)
6	1288220037	1	WASHER, THRUST,
7		1	, SYNCHRONISIERUNG/SYNCHRONIZER/SYNCHRONISEUR/SYNKRONISERING/SINCRONIZZAZIONE - Siehe nächste Seite(n)/See next page(s)/Voir page(s) suivante(s)/Se næste side(r)/Vedere pagin(a/e) sequent(e/i)
8		1	, SYNCHRONISIERUNG/SYNCHRONIZER/SYNCHRONISEUR/SYNKRONISERING/SINCRONIZZAZIONE - Siehe nächste Seite(n)/See next page(s)/Voir page(s) suivante(s)/Se næste side(r)/Vedere pagin(a/e) sequent(e/i)
9	131700220037	1	TANDWIEL, , 16T
10	133700220433	1	TUSSENAS, , 13T, Einschließlich/Includes/Avec/Inklusive/Compreso 13
11	190003320043	1	LAGER, KOGEL,
12	1180A220033	1	SLUITRING, , 0,1mm
12	1180A220034	1	SLUITRING, , 0,2mm
13	133700220432	1	PLUG,
14	133700280029	1	SHAFT, DRIVE, , 33T, Siehe nächste Seite(n)/See next page(s)/Voir page(s) suivante(s)/Se næste side(r)/Vedere pagin(a/e) sequent(e/i)
15	133700220151	1	PIN, PIVOT, , Ø=18mm
16	133700220349	1	WASHER, THRUST,
17	133700220109	2	LAGER, NAALD, , K18x24x20A
18	133700220107	1	AFSTANDSRING,
19	133700220175	1	TANDWIEL BIJ WIEL, , 19/24T
20	133700220106	1	WASHER, THRUST, , ID=18mm
21	190003326215	2	LAGER, KOGEL,
22	133700220058	1	TANDWIEL, , 23T
23	133700220004	1	AFSTANDSRING,
24	133700220059	1	TUSSENAS, , 13T
25	133700220013	1	SLUITRING, , 1,50mm
25	133700220014	1	SLUITRING, , 1,62mm

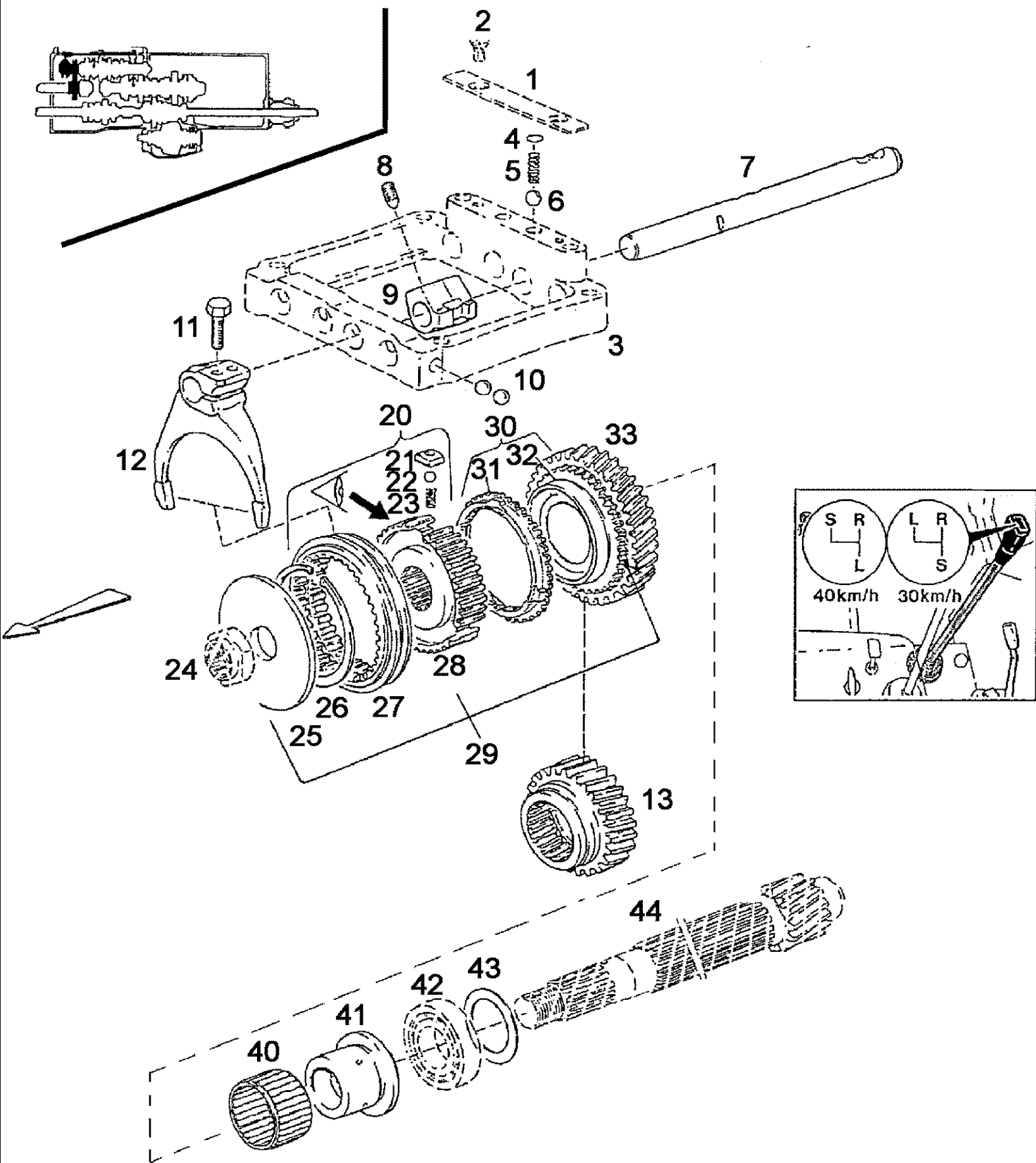
Ref	Onderdeelnummer	Kwt	Beschrijving
25	133700220015		SLUITRING, , 1,86mm
25	133700220016	1	SLUITRING, , 1,98mm
26	190003934310	1	RING, SNAP, , 62x2
27	133700220110	1	TANDWIEL, , 31T, Ausführung/Version/Version/Type/Versione 30km/h
27	133700220330	1	TANDWIEL, , 37T, Ausführung/Version/Version/Type/Versione 40km/h
28	190003935363	1	VEERRING, , SP85
29	190003311127	1	LAGER, KOGEL,
30	133700220402	1	SHAFT, DRIVE, , 33T
31	133700220029	1	LAGER, NAALD, , K28x40x25JM
32	1192220082	1	NUT, SLOTTED,
33	131700220031	1	TANDWIEL, , 29T
34	1192220115	1	TANDWIEL, , 32T
35		1	, SYNCHRONISIERUNG/SYNCHRONIZER/SYNCHRONISEUR/SYNKRONISERING/SINCRONIZZAZIONE - Siehe nächste Seite(n)/See next page(s)/Voir page(s) suivante(s)/Se næste side(r)/Vedere pagin(a/e) seguent(e/i)
36	133700220056	1	WASHER, THRUST,
37	1292220132	1	LAGER, KOGEL,
38	190003935364	1	VEERRING, , SP90
39	133700220020	1	SHAFT, DRIVE, , 18T
40	1409020024	1	NEEDLE CAGE,
41	190003070001	1	DICHTINGSRING,
42	135700220001	1	LAGER, NAALD,
43	190003933323	1	RING, SNAP, , 42x2,5
50	1292220201	1	NUT, SLOTTED,
57	133700220146	1	LAGER, ROL,
58	190003934425	1	RING, SNAP, , 85x3
59	133700220180	1	SLUITRING, , 3,75mm
59	133700220181	1	SLUITRING, , 3,90mm
59	133700220182	1	SLUITRING, , 4,10mm
59	133700220185	1	SLUITRING, , 4,15mm
59	133700220186	1	SLUITRING, , 4,20mm
59	133700220187	1	SLUITRING, , 4,25mm
59	133700220183	1	SLUITRING, , 4,30mm
59	133700220184	1	SLUITRING, , 4,40mm
60	133700220024	1	SLUITRING, , 2,8mm
60	133700220025	1	SLUITRING, , 3,0mm
60	133700220026	1	SLUITRING, , 3,2mm
60	133700220147	1	SLUITRING, , 3,3mm
60	133700220027	1	SLUITRING, , 3,4mm
60	133700220142	1	SLUITRING, , 3,5mm



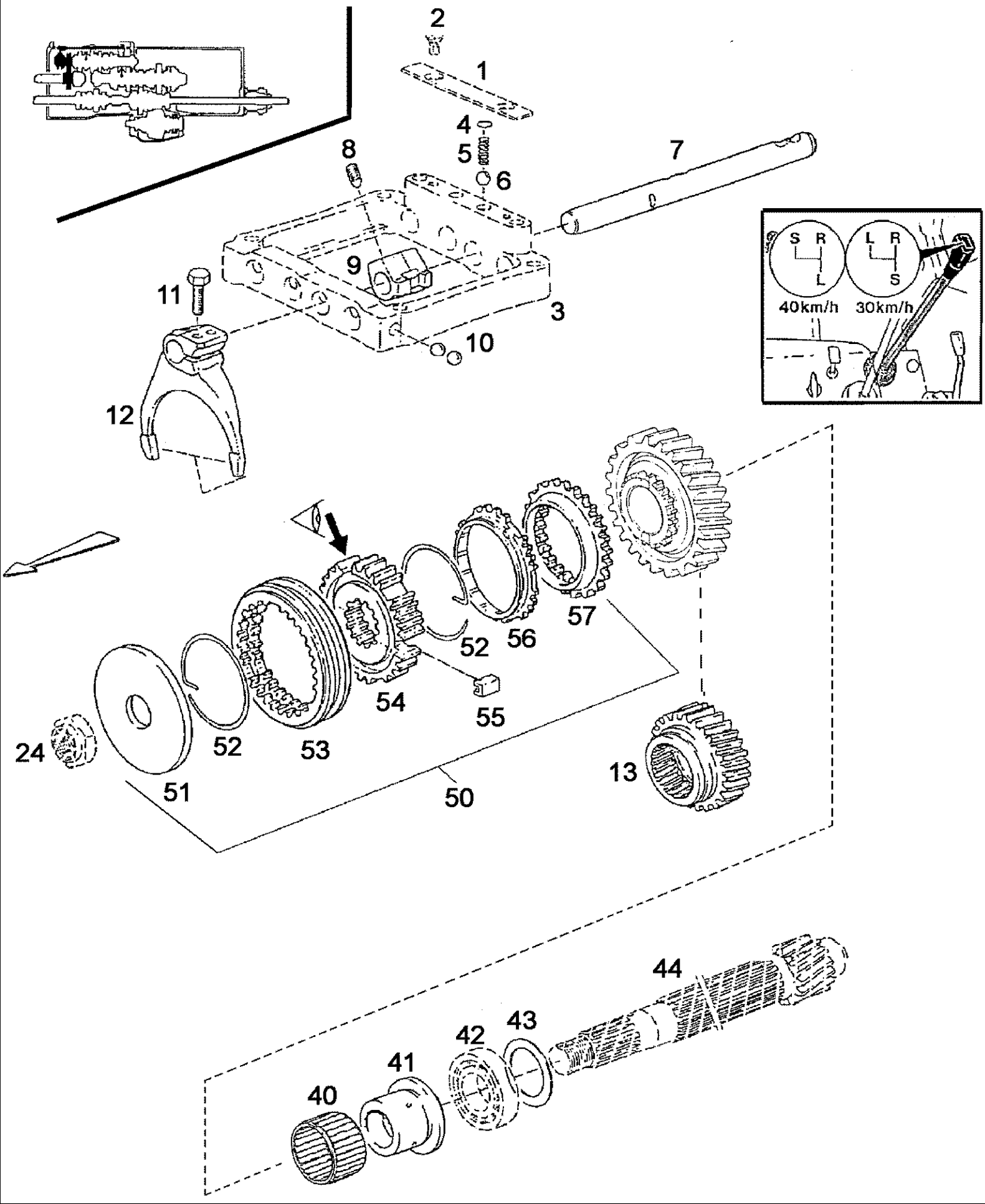
Ref	Onderdeelnummer	Kwt	Beschrijving
60	133700220143	1	SLUITRING, , 3,6mm
60	133700220144	1	SLUITRING, , 3,8mm
61	190003326627	1	LAGER, KOGEL,
62	133700320158	1	KONISCHE KOPPELINGEN, , 8/41 T
63		1	, DIFFERENTIALGEHÄUSE/CARRIER ASSY. DIFF./NEZ DE PONT/DIFFERENTIALEHUS/SCATOLA DEL DIFFERENZIALE - Siehe nächste Seite(n)/See next page(s)/Voir page(s) suivante(s)/Se næste side(r)/Vedere pagin(a/e) seguent(e/i)
64	133700220196	1	TANDWIEL BIJ WIEL, , 33T
65	133700220053	1	SLEEVE, TRANSMISSION,
66	133700220036	1	TANDWIEL, , 34T
67	1192220137	1	SLEEVE ASSY,
68	133700220056	1	WASHER, THRUST,
80		1	, SATZ/SET OF/JEU/SÆT/SERIE - Siehe nächste Seite(n)/See next page(s)/Voir page(s) suivante(s)/Se næste side(r)/Vedere pagin(a/e) seguent(e/i)
90		1	, SATZ/SET OF/JEU/SÆT/SERIE - Siehe nächste Seite(n)/See next page(s)/Voir page(s) suivante(s)/Se næste side(r)/Vedere pagin(a/e) seguent(e/i)



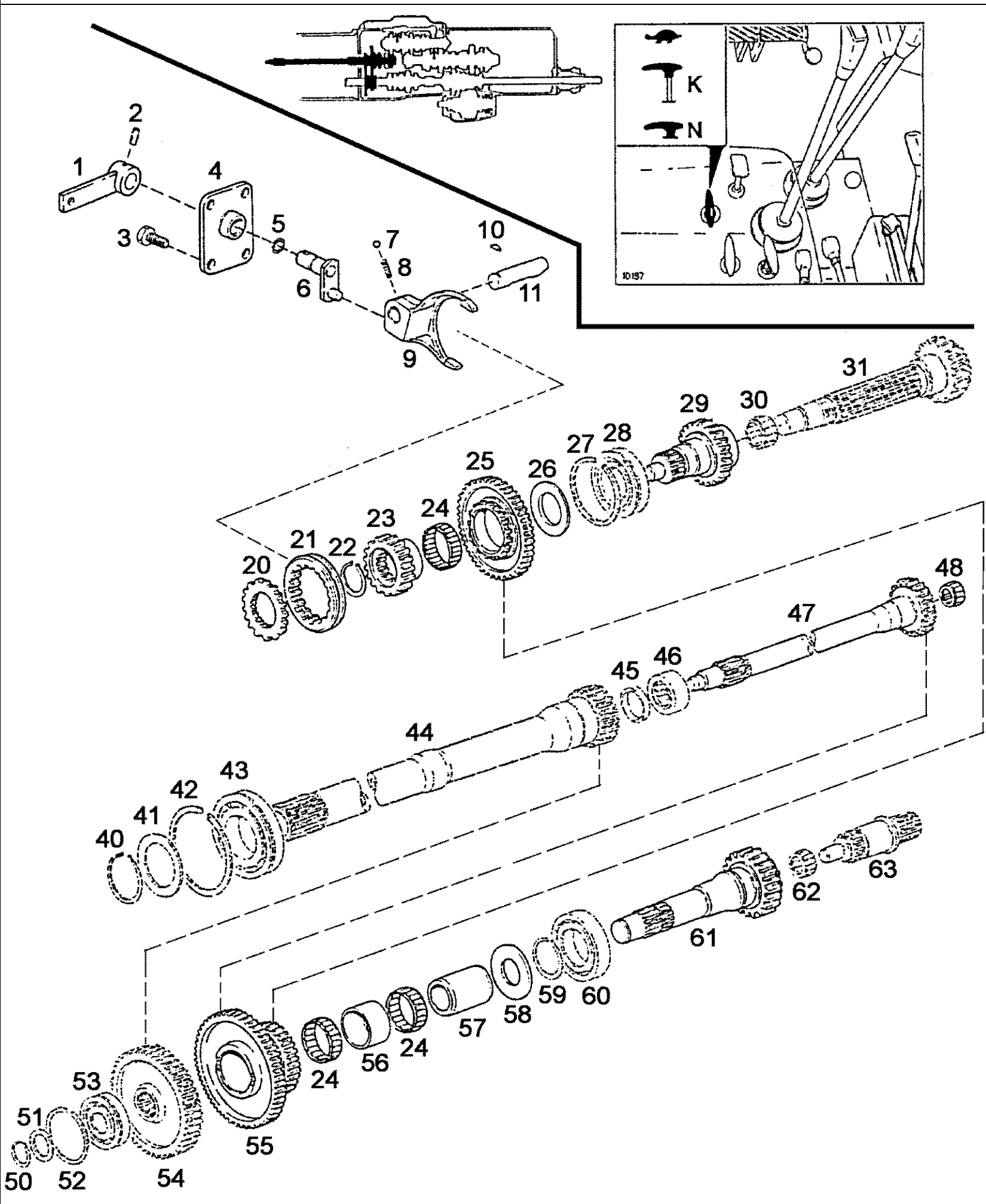
Ref	Onderdeelnummer	Kwt	Beschrijving
1	133700220151	1	PIN, PIVOT, , Ø=18mm
2	133700220106	1	WASHER, THRUST, , ID=18mm
3	133700220175	1	TANDWIEL BIJ WIEL, , 19/24T
4	133700220109	2	LAGER, NAALD, , K18x24x20A
5	133700220107	1	AFSTANDSRING,
6	133700220349	1	WASHER, THRUST,
7	133700220029	1	LAGER, NAALD, , K28x40x25JM
8	133700220402	1	SHAFT, DRIVE, , 33T
10	190003311127	1	LAGER, KOGEL,
11	190003935363	1	VEERRING, , SP85
12	133700220110	1	TANDWIEL, , 31T, Ausführung/Version/Version/Type/Versione 30km/h
12	133700220330	1	TANDWIEL, , 37T, Ausführung/Version/Version/Type/Versione 40km/h
13	190003933323	1	RING, SNAP, , 42x2,5
14	135700220001	1	LAGER, NAALD,
15	190003070001	1	DICHTINGSRING,
16	133700210035	1	HOUDER, , Siehe Getriebegehäuse/See transmission housing/Voir carter de transmission/Se gearkasselus/Vedere scatola del cambio



Ref	Onderdeelnummer	Kwt	Beschrijving
1	1292240041	1	PANEELWERK, , Siehe nächste Seite(n)/See next page(s)/Voir page(s) suivante(s)/Se næste side(r)/Vedere pagin(a/e) sequent(e/i)
2	190003862016	2	SCHROEF, , M8x16-10.9
3	133700240048	1	RAAM, , Siehe nächste Seite(n)/See next page(s)/Voir page(s) suivante(s)/Se næste side(r)/Vedere pagin(a/e) sequent(e/i)
4	11800240023	1	VEER,
5	11800240023	1	VEER,
6	190003330183	3	KOGEL, , Ø10mm
7	133700240118	1	STANG,
8	190003902746	2	SCHROEF, , M10x16
9	133700240053	1	AANDRIJFKLAUW,
10	190003330183	3	KOGEL, , Ø10mm
11	43127	2	BOUT, Hex, M8 x 25, 8.8,
12	133700240115	1	STEEKVORK,
13	133700220110	1	TANDWIEL, , 31T, Ausführung/Version/Version/Type/Versione 30km/h
13	133700220330	1	TANDWIEL, , 37T, ,Ausführung/Version/Version/Type/Versione 40km/h
20	133700220309	1	SYNCHRONISATOR, , Besteht aus/Consists of/Compose de/Bestående af/È composto da 21 - 23, 27, 28
21	1192220134	3	DRUKPLAAT,
22	190003330114	3	KOGEL, , 6,5mm
23	1192220133	3	SPRING, COMPRESSION,
24	1192220050	1	MOER, , Siehe Seite(n) vorne/See page(s) before/Voir page(s) avant(es)/Se side(r) forrest/Vedere pagin(a/e) precedent(e/i)
25	133700220231	1	SCHIJF,
26	190003934400	1	BORGVEER, , 80x2,5
27	NSS	1	NIET ALLEEN VERKRIJGBAAR,
28	NSS	1	NIET ALLEEN VERKRIJGBAAR,
29	NSS	1	NIET ALLEEN VERKRIJGBAAR,
30	133700220306	1	SYNCHRONISATOR, , Besteht aus/Consists of/Compose de/Bestående af/È composto da 31, 32
31	NSS	1	NIET ALLEEN VERKRIJGBAAR,
32	NSS	1	NIET ALLEEN VERKRIJGBAAR,
33	133700220304	1	TANDWIEL, , 37T, Ausführung/Version/Version/Type/Versione 30km/h
33	133700220333	1	TANDWIEL, , 31T, Ausführung/Version/Version/Type/Versione 40km/h
40	1188220038	1	LAGER, NAALD,
41	133700220232	1	SLEEVE ASSY,
42	190003320028	1	LAGER, KOGEL, , Siehe Seite(n) vorne/See page(s) before/Voir page(s) avant(es)/Se side(r) forrest/Vedere pagin(a/e) precedent(e/i)
43	180410033	1	SLUITRING, , 0,5mm
43	180410034	1	SLUITRING, , 1,0mm
44	133700220433	1	TUSSENAS, , 13T, Siehe Seite(n) vorne/See page(s) before/Voir page(s) avant(es)/Se side(r) forrest/Vedere pagin(a/e) precedent(e/i)



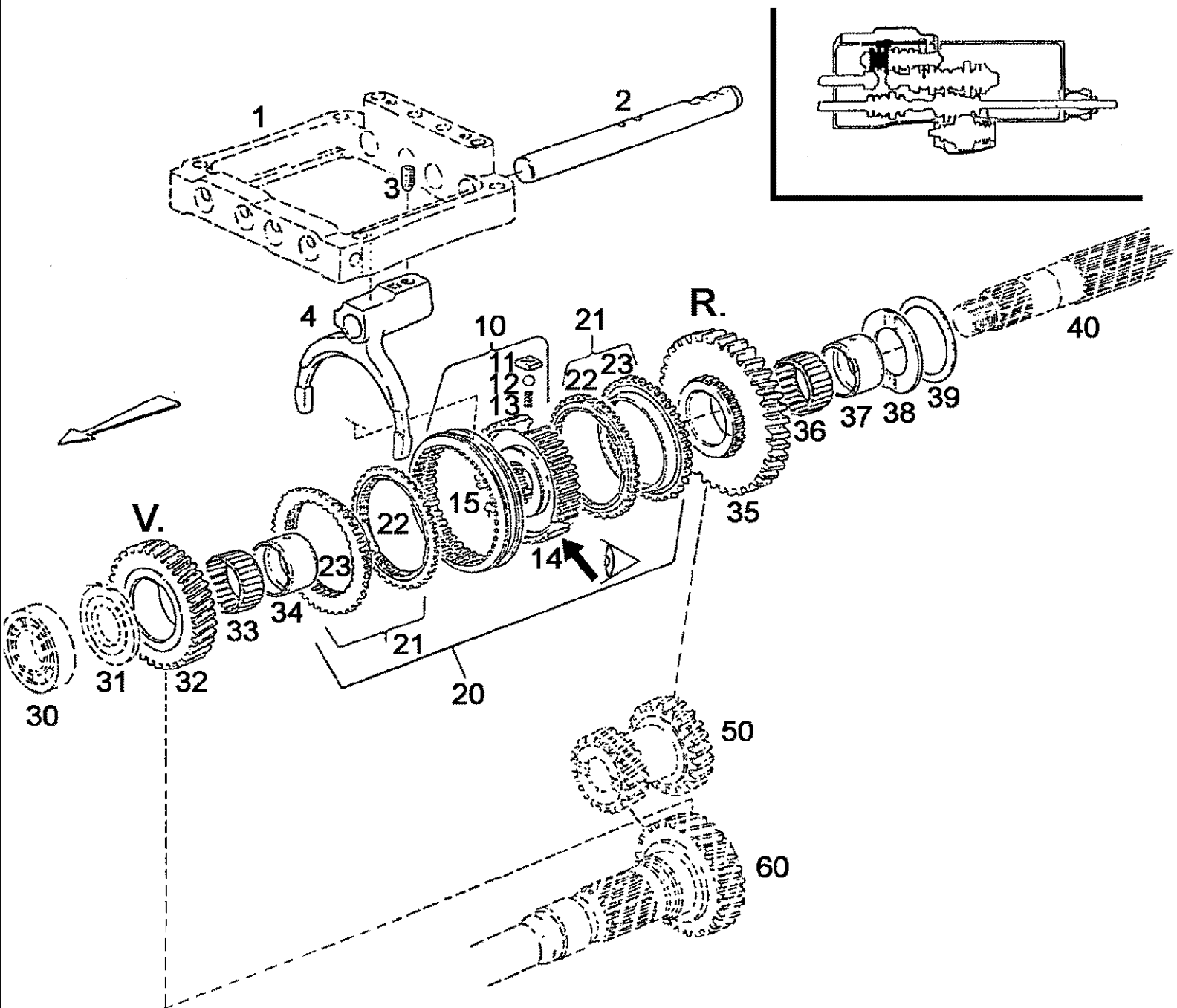
Ref	Onderdeelnummer	Kwt	Beschrijving
1	1292240041	1	PANEELWERK, , Siehe nächste Seite(n)/See next page(s)/Voir page(s) suivante(s)/Se næste side(r)/Vedere pagin(a/e) sequent(e/i)
2	190003862016	2	SCHROEF, , M8x16-10.9
3	133700240048	1	RAAM, , Siehe nächste Seite(n)/See next page(s)/Voir page(s) suivante(s)/Se næste side(r)/Vedere pagin(a/e) sequent(e/i)
4	11800240023	1	VEER,
5	11800240023	1	VEER,
6	190003330183	3	KOGEL, , Ø10mm
7	133700240118	1	STANG,
8	190003902746	2	SCHROEF, , M10x16
9	133700240053	1	AANDRIJFKLAUW,
10	190003330183	3	KOGEL, , Ø10mm
11	43127	2	BOUT, Hex, M8 x 25, 8.8,
12	133700240115	1	STEEKVORK,
13	133700220110	1	TANDWIEL, , 31T, Ausführung/Version/Version/Type/Versione 30km/h
13	133700220330	1	TANDWIEL, , 37T, Ausführung/Version/Version/Type/Versione 40km/h
24	1192220050	1	MOER, , Siehe Seite(n) vorne/See page(s) before/Voir page(s) avant(es)/Se side(r) forrest/Vedere pagin(a/e) precedent(e/i)
33	133700220304	1	TANDWIEL, , 37T, Ausführung/Version/Version/Type/Versione 30km/h
33	133700220333	1	TANDWIEL, , 31T, Ausführung/Version/Version/Type/Versione 40km/h
40	1188220038	1	LAGER, NAALD,
41	133700220232	1	SLEEVE ASSY,
42	190003320028	1	LAGER, KOGEL, , Siehe Seite(n) vorne/See page(s) before/Voir page(s) avant(es)/Se side(r) forrest/Vedere pagin(a/e) precedent(e/i)
43	180410033	1	SLUITRING, , 0,5mm
43	180410034	1	SLUITRING, , 1,0mm
44	133700220433	1	TUSSENAS, , 13T, Siehe Seite(n) vorne/See page(s) before/Voir page(s) avant(es)/Se side(r) forrest/Vedere pagin(a/e) precedent(e/i)
50	153700220048	1	SYNCHRONIZER, , Besteht aus/Consists of/Compose de/Bestående af/È composto da 51 - 57 - Ersetzt/Replaces/Remplace/Udskiftet/Sostituisce 153700220004
51	153700220711	1	SCHIJF,
52	153700220704	2	VEER,
53	NSS	1	NIET ALLEEN VERKRIJGBAAR,
54	NSS	1	NIET ALLEEN VERKRIJGBAAR,
55	153700220703	3	PAD, WEAR,
56	153700220709	1	RING, SYNCHRO,
57	153700220710	1	RING, SYNCHRO,



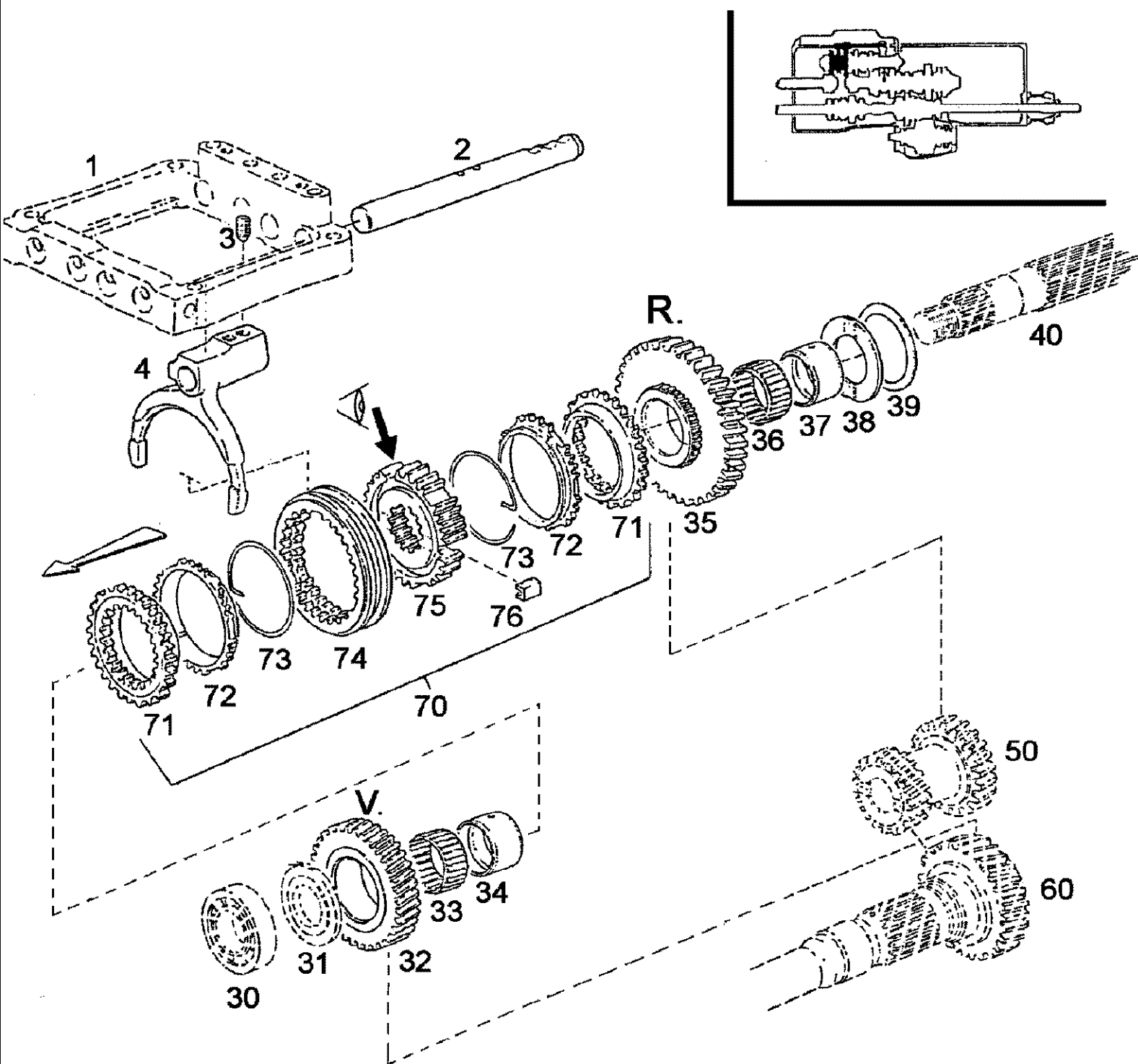


Ref	Onderdeelnummer	Kwt	Beschrijving
1	133700272046	1	HEFBOOM,
2	190003909653	1	SPLITPEN, , 8x36
3	9706687	2	BOUT, Hex, M12 x 30, 8.8,
4	133700210037	1	COVER,
5	1188270029	1	O-RING, , 13x2,5-NBR-70
6	133700280008	1	VINGER,
7	190003330148	1	KOGEL, , Ø 8,0mm
8	1206240018	1	SPRING, COMPRESSION,
9	133700280011	1	STEEKVORK,
10	190003960802	1	WOODRUFF KEY, , 3x6,5
11	133700280010	1	AS,
20	133700280005	1	PLATE, DRIVE,
21	1192280010	1	SLEEVE, TRANSMISSION,
22	190003933300	1	RING, SNAP, , 40x1,75
23	1192280008	1	TANDWIEL BIJ WIEL,
24	1380250039	3	LAGER, NAALD,
25	133700280024	1	TANDWIEL, , 46T
26	1192280011	1	WASHER, THRUST,
27	190003935363	1	VEERRING, , SP85
28	190003311127	1	LAGER, KOGEL, , Siehe Seite(n) vorne/See page(s) before/Voir page(s) avant(es)/Se side(r) forrest/Vedere pagin(a/e) precedent(e/i)
29	133700280029	1	SHAFT, DRIVE, , 33T
30	133700220029	1	LAGER, NAALD, , K28x40x25JM
31	133700220020	1	SHAFT, DRIVE, , 18T, Siehe Seite(n) vorne/See page(s) before/Voir page(s) avant(es)/Se side(r) forrest/Vedere pagin(a/e) precedent(e/i)
40	190003933451	1	BORGVEER, , 60X2
41	1395220165	1	SLUITRING,
42	190003935375	1	SLUITRING, , SP110
43	190003311136	1	LAGER, KOGEL,
44	133700270063	1	AS, , 23T, Siehe nächste Seite(n)/See next page(s)/Voir page(s) suivante(s)/Se næste side(r)/Vedere pagin(a/e) sequent(e/i)
45	190003070001	1	DICHTINGSRING, , Siehe Seite(n) vorne/See page(s) before/Voir page(s) avant(es)/Se side(r) forrest/Vedere pagin(a/e) precedent(e/i)
46	135700220001	1	LAGER, NAALD, , Siehe Seite(n) vorne/See page(s) before/Voir page(s) avant(es)/Se side(r) forrest/Vedere pagin(a/e) precedent(e/i)
47	133700280034	1	SHAFT, DRIVE, , 22T
48	1188220066	1	LAGER, NAALD, , K20x28x20C
50	190003933200	1	RING, SNAP, , 30x1,5
51	1292270016	1	SCHIJF,
52	190003935359	1	VEERRING, , SP72
53	190003311518	1	LAGER, KOGEL,

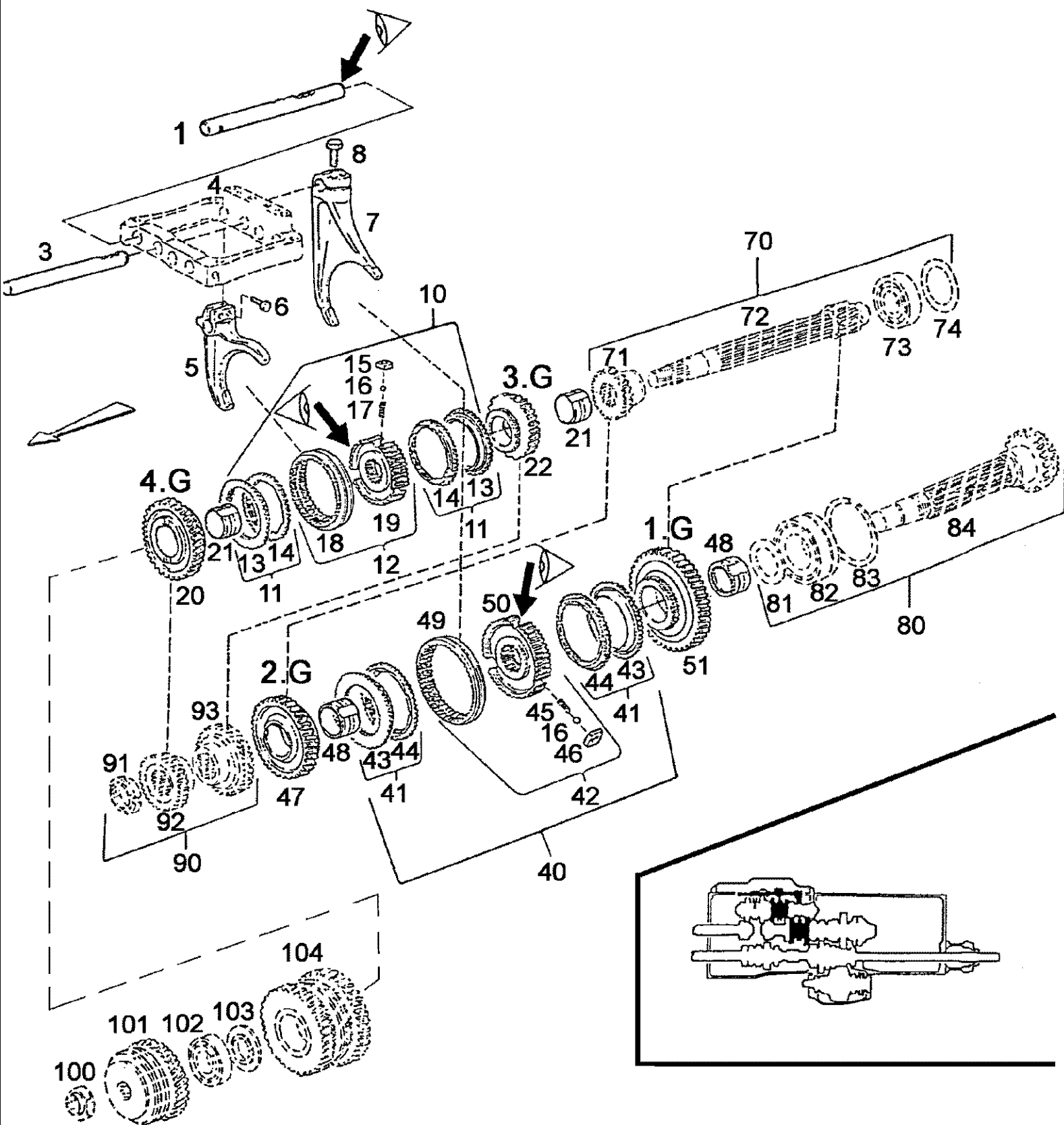
Ref	Onderdeelnummer	Kwt	Beschrijving
54	133700270093	1	TANDWIEL, , 49T, Siehe nächste Seite(n)/See next page(s)/Voir page(s) suivante(s)/Se næste side(r)/Vedere pagin(a/e) sequent(e/i)
55	133700280025	1	TANDWIEL BIJ WIEL, , 59/26T
56	133700280003	1	AFSTANDSRING,
57	133700280014	1	SLEEVE ASSY,
58	133700280015	1	RING,
59	190003933400	1	RING, SNAP, , 50x2
60	190003311030	1	LAGER, KOGEL, , Siehe nächste Seite(n)/See next page(s)/Voir page(s) suivante(s)/Se næste side(r)/Vedere pagin(a/e) sequent(e/i)
61	135700270010	1	AFTAKAS,
62	1409020024	1	NEEDLE CAGE,
63	133700270085	1	JACKSHAFT, , Siehe nächste Seite(n)/See next page(s)/Voir page(s) suivante(s)/Se næste side(r)/Vedere pagin(a/e) sequent(e/i)



Ref	Onderdeelnummer	Kwt	Beschrijving
1	133700240048	1	RAAM, , Siehe nächste Seite(n)/See next page(s)/Voir page(s) suivante(s)/Se næste side(r)/Vedere pagin(a/e) sequent(e/i)
2	133700240117	1	STANG,
3	190003902746	2	SCHROEF, , M10x16
4	133700240116	1	STEEKVORK, , Siehe Getriebeschaltung/See transmission gear shift control/Voir commande de changement de vitesses/Se gearkassebetjening/Vedere leva del cambio
10	133700220307	1	SYNCHRONISATOR, , Besteht aus/Consists of/Compose de/Bestående af/È composto da 11-15
11	1192220134	3	DRUKPLAAT,
12	190003330114	3	KOGEL, , 6,5mm,
13	1192220133	3	SPRING, COMPRESSION,
14	NSS	1	NIET ALLEEN VERKRIJGBAAR,
15	NSS	1	NIET ALLEEN VERKRIJGBAAR,
20	NSS	2	NIET ALLEEN VERKRIJGBAAR,
21	133700220306	2	SYNCHRONISATOR, , Besteht aus/Consists of/Compose de/Bestående af/È composto da 22, 23
22	NSS	2	NIET ALLEEN VERKRIJGBAAR,
23	NSS	2	NIET ALLEEN VERKRIJGBAAR,
30	190003320028	1	LAGER, KOGEL, , Siehe Seite(n) vorne/See page(s) before/Voir page(s) avant(es)/Se side(r) Forrest/Vedere pagin(a/e) precedent(e/i)
31	180410033	1	SLUITRING, , 0,5mm, Siehe Seite(n) vorne/See page(s) before/Voir page(s) avant(es)/Se side(r) Forrest/Vedere pagin(a/e) precedent(e/i)
31	180410034	1	SLUITRING, , 1,0mm, Siehe Seite(n) vorne/See page(s) before/Voir page(s) avant(es)/Se side(r) Forrest/Vedere pagin(a/e) precedent(e/i)
32	133700220308	1	TANDWIEL, , 34T
33	1188220038	1	LAGER, NAALD,
34	133700220326	1	SLEEVE ASSY,
35	133700220302	1	TANDWIEL, , 44T
36	133700220221	1	LAGER, NAALD, , K40/45/24
37	133700220327	1	SLEEVE ASSY,
38	133700270079	1	WASHER, THRUST,
39	1288270041	1	SLUITRING, , 0,4mm
40	133700220433	1	TUSSENAS, , 13T, Siehe Seite(n) vorne/See page(s) before/Voir page(s) avant(es)/Se side(r) Forrest/Vedere pagin(a/e) precedent(e/i)
50	133700220175	1	TANDWIEL BIJ WIEL, , 19/24T
60	133700220402	1	SHAFT, DRIVE, , 33T, Siehe Seite(n) vorne/See page(s) before/Voir page(s) avant(es)/Se side(r) Forrest/Vedere pagin(a/e) precedent(e/i)



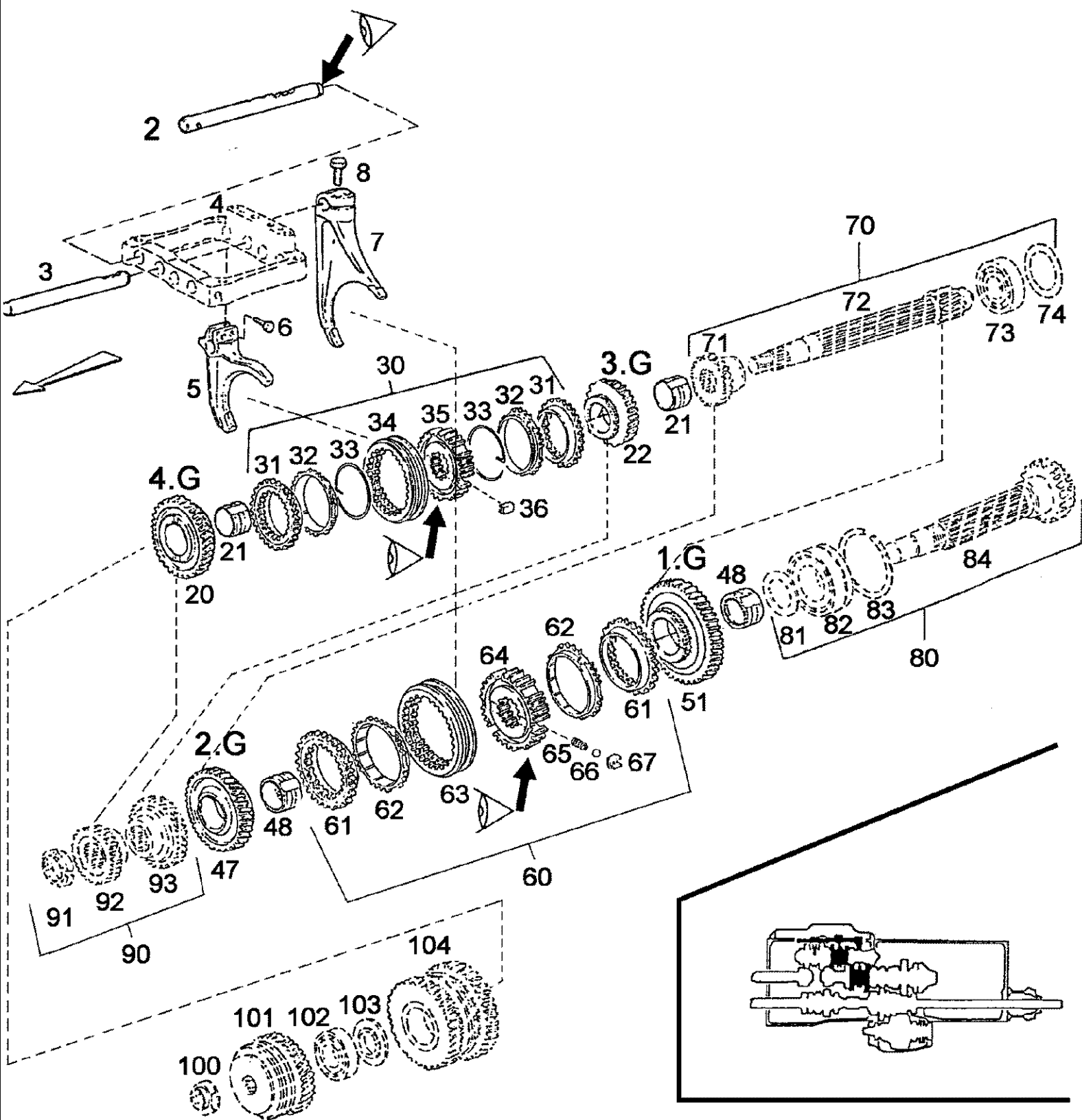
Ref	Onderdeelnummer	Kwt	Beschrijving
1	133700240048	1	RAAM, , Siehe nächste Seite(n)/See next page(s)/Voir page(s) suivante(s)/Se næste side(r)/Vedere pagin(a/e) sequent(e/i)
2	133700240117	1	STANG,
3	190003902746	2	SCHROEF, , M10x16
4	133700240116	1	STEEKVORK, , Siehe Getriebebeschaltung/See transmission gear shift control/Voir commande de changement de vitesses/Se gearkassebetjening/Vedere leva del cambio
30	190003320028	1	LAGER, KOGEL, , Siehe Seite(n) vorne/See page(s) before/Voir page(s) avant(es)/Se side(r) forrest/Vedere pagin(a/e) precedent(e/i)
31	180410033	1	SLUITRING, , 0,5mm, Siehe Seite(n) vorne/See page(s) before/Voir page(s) avant(es)/Se side(r) forrest/Vedere pagin(a/e) precedent(e/i)
31	180410034	1	SLUITRING, , 1,0mm, Siehe Seite(n) vorne/See page(s) before/Voir page(s) avant(es)/Se side(r) forrest/Vedere pagin(a/e) precedent(e/i)
32	133700220308	1	TANDWIEL, , 34T
33	1188220038	1	LAGER, NAALD,
34	133700220326	1	SLEEVE ASSY,
35	133700220302	1	TANDWIEL, , 44T
36	133700220221	1	LAGER, NAALD, , K40/45/24
37	133700220327	1	SLEEVE ASSY,
38	133700270079	1	WASHER, THRUST,
39	1288270041	1	SLUITRING, , 0,4mm
40	133700220433	1	TUSSENAS, , 13T, Siehe Seite(n) vorne/See page(s) before/Voir page(s) avant(es)/Se side(r) forrest/Vedere pagin(a/e) precedent(e/i)
50	133700220175	1	TANDWIEL BIJ WIEL, , 19/24T
60	133700220402	1	SHAFT, DRIVE, , 33T, Siehe Seite(n) vorne/See page(s) before/Voir page(s) avant(es)/Se side(r) forrest/Vedere pagin(a/e) precedent(e/i)
70	153700220047	1	SYNCHRONISATOR, , Besteht aus/Consists of/Compose de/Bestående af/È composto da 71 - 76 - Ersetzt/Replaces/Remplace/Udskiftet/Sostituisce 153700220005
71	153700220710	2	RING, SYNCHRO,
72	153700220709	2	RING, SYNCHRO,
73	153700220704	2	VEER,
74	NSS	1	NIET ALLEEN VERKRIJGBAAR,
75	NSS	1	NIET ALLEEN VERKRIJGBAAR,
76	153700220703	3	PAD, WEAR,



Ref	Onderdeelnummer	Kwt	Beschrijving
1	133700240054	1	STANG,
3	133700240110	1	STANG,
4	133700240048	1	RAAM, , Siehe nächste Seite(n)/See next page(s)/Voir page(s) suivante(s)/Se næste side(r)/Vedere pagin(a/e) seguent(e/i)
5	133700240109	1	STEEKVORK, , Siehe Getriebebeschaltung/See transmission gear shift control/Voir commande de changement de vitesses/Se gearkassebetjening/Vedere leva del cambio
6	120104	2	BOUT, Hex, M8 x 20, 8.8,
7	133700240108	1	STEEKVORK, , Siehe Getriebebeschaltung/See transmission gear shift control/Voir commande de changement de vitesses/Se gearkassebetjening/Vedere leva del cambio
8	43127	2	BOUT, Hex, M8 x 25, 8.8,
10	NSS	1	NIET ALLEEN VERKRIJGBAAR,
11	133700220306	2	SYNCHRONISATOR, , Besteht aus/Consists of/Compose de/Bestående af/È composto da 13, 14
12	133700220307	1	SYNCHRONISATOR, , Besteht aus/Consists of/Compose de/Bestående af/È composto da 15 - 19
13	NSS	2	NIET ALLEEN VERKRIJGBAAR,
14	NSS	2	NIET ALLEEN VERKRIJGBAAR,
15	1192220134	3	DRUKPLAAT,
16	190003330114	3	KOGEL, , 6,5mm
17	1192220133	3	SPRING, COMPRESSION,
18	NSS	1	NIET ALLEEN VERKRIJGBAAR,
19	NSS	1	NIET ALLEEN VERKRIJGBAAR,
20	131700220032	1	TANDWIEL, , 38T
21	133700220325	2	SLEEVE ASSY,
22	133700220299	1	TANDWIEL, , 27T
40	NSS	1	NIET ALLEEN VERKRIJGBAAR,
41	133700220310	2	LICHAAM, , Besteht aus/Consists of/Compose de/Bestående af/È composto da 43, 44
42	135700220347	1	SYNCHRONISATOR, , Besteht aus/Consists of/Compose de/Bestående af/È composto da 16, 45, 46, 49, 50
43	NSS	2	NIET ALLEEN VERKRIJGBAAR,
44	NSS	2	NIET ALLEEN VERKRIJGBAAR,
45	135700220043	3	SPRING, COMPRESSION,
46	135700220044	3	DRUKPLAAT,
47	131700220036	1	TANDWIEL, , 31T
48	133700220121	2	SLEEVE ASSY,
49	NSS	1	NIET ALLEEN VERKRIJGBAAR,
50	NSS	1	NIET ALLEEN VERKRIJGBAAR,
51	133700220297	1	TANDWIEL, , 44T
70		1	, SATZ/SET OF/JEU/SÆT/SERIE - Siehe Getrieberäder und -wellen/See transmission wheel and -shaft/Voir pneumatique de boîte de vitesses avec -arbre/Se gearkassehjul og -aksler/Vedere ingranaggi e alberi della trasmissione
71	131700220037	1	TANDWIEL, , 16T
72	133700220433	1	TUSSENAS, , 13T

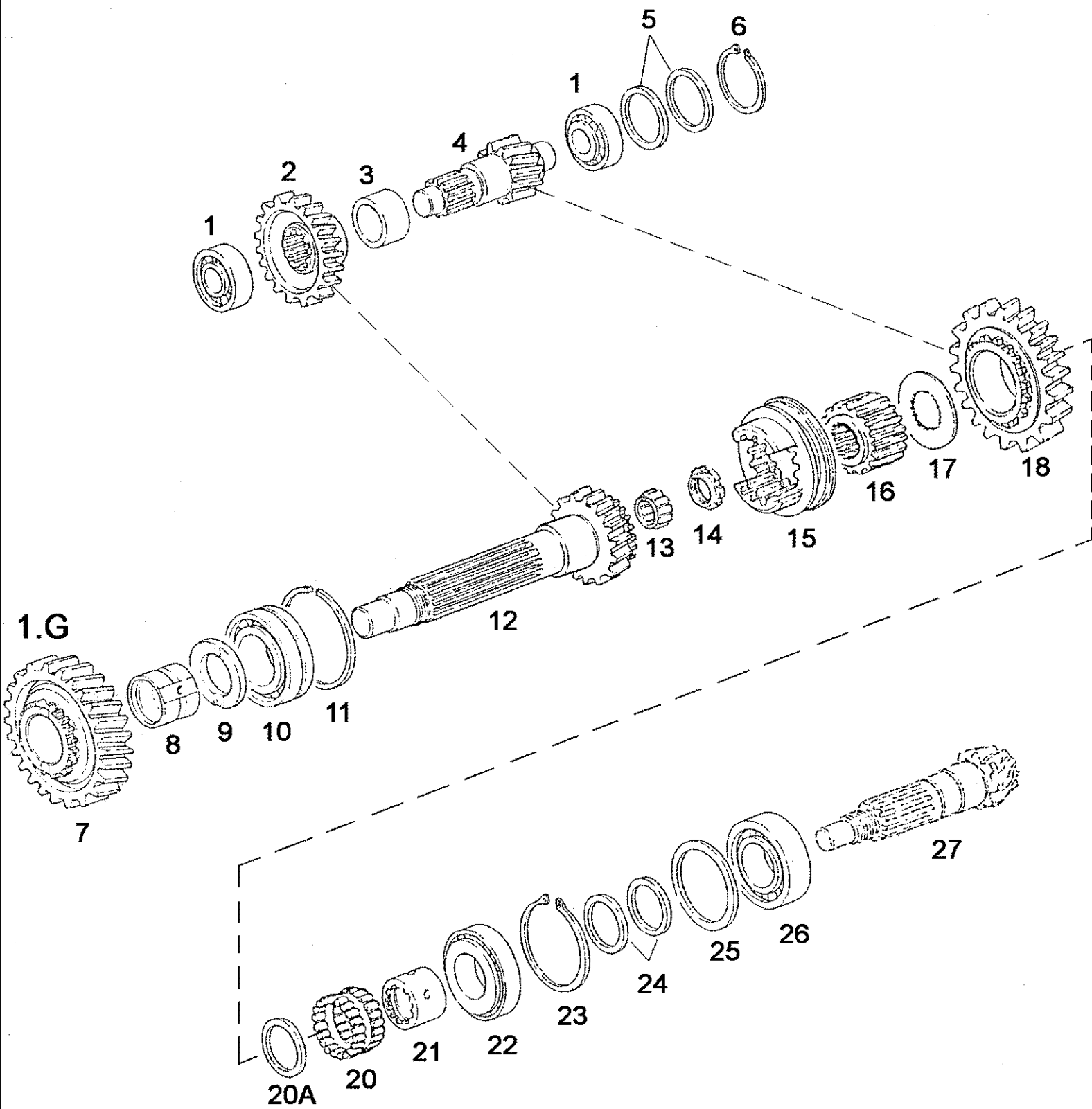


Ref	Onderdeelnummer	Kwt	Beschrijving
73	190003320043	1	LAGER, KOGEL,
74	1180A220033	1	SLUITRING, , 0,1mm
74	1180A220034	1	SLUITRING, , 0,2mm
80		1	, SATZ/SET OF/JEU/SÆT/SERIE - Siehe Getrieberäder und -wellen/See transmission wheel and -shaft/Voir pneumatique de boite de vitesses avec -arbre/Se gearkassehjulo og -aksler/Vedere ingranaggi e alberi della trasmissione
81	133700220056	1	WASHER, THRUST,
82	1292220132	1	LAGER, KOGEL,
83	190003935364	1	VEERRING, , SP90
84	133700220020	1	SHAFT, DRIVE, , 18T
100	1192220050	1	MOER, , Siehe Getrieberäder und -wellen/See transmission wheel and -shaft/Voir pneumatique de boite de vitesses avec -arbre/Se gearkassehjulo og -aksler/Vedere ingranaggi e alberi della trasmissione
101		1	, SATZ/SET OF/JEU/SÆT/SERIE - Siehe Vorschaltgruppe, synchronisiert/See preselection group, synchronized/Voir groupe préselecteur, synchronisé/Se forkoblingsgruppe, synkroniseret/Vedere gruppo di preselezione, sincronizzato
102	190003320028	1	LAGER, KOGEL, , Siehe Getrieberäder und -wellen/See transmission wheel and -shaft/Voir pneumatique de boite de vitesses avec -arbre/Se gearkassehjulo og -aksler/Vedere ingranaggi e alberi della trasmissione
103	1288220037	1	WASHER, THRUST,
104		1	, SATZ/SET OF/JEU/SÆT/SERIE - Siehe Vorwärts- und Rückwärtsschaltung/See forward- and reverse controls/Voir commandes de marche avant- et de marche arriere/Se forad- og bakke, gear/Vedere cambio marcia avanti e indietro



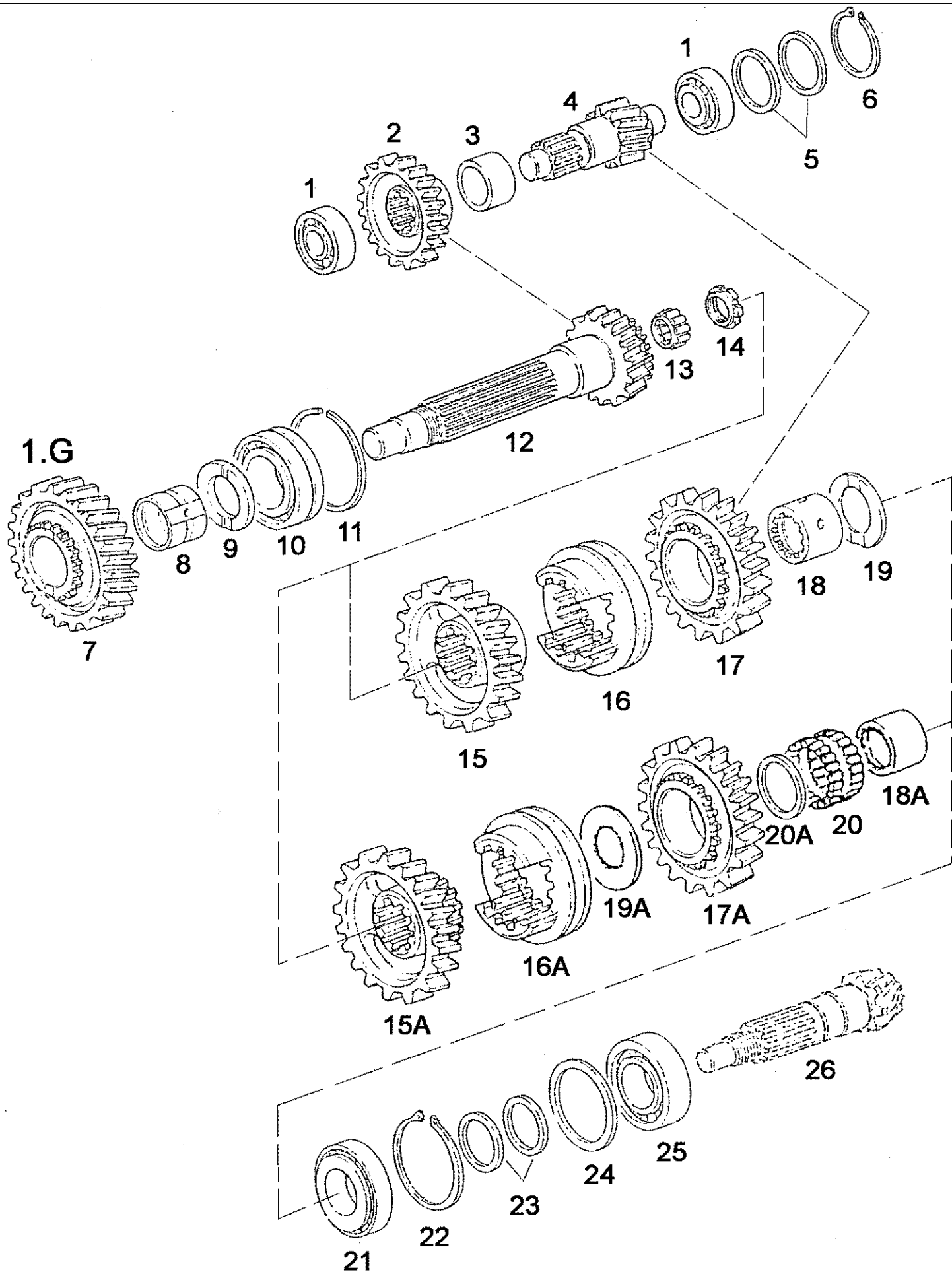
Ref	Onderdeelnummer	Kwt	Beschrijving
2	153700240124	1	STANG,
3	133700240110	1	STANG,
4	133700240048	1	RAAM, , Siehe nächste Seite(n)/See next page(s)/Voir page(s) suivante(s)/Se næste side(r)/Vedere pagin(a/e) seguent(e/i)
5	133700240109	1	STEEKVORK, , Siehe Getriebeschaltung/See transmission gear shift control/Voir commande de changement de vitesses/Se gearkassebetjening/Vedere leva del cambio
6	120104	2	BOUT, Hex, M8 x 20, 8.8,
7	133700240108	1	STEEKVORK, , Siehe Getriebeschaltung/See transmission gear shift control/Voir commande de changement de vitesses/Se gearkassebetjening/Vedere leva del cambio
8	43127	2	BOUT, Hex, M8 x 25, 8.8,
20	131700220032	1	TANDWIEL, , 38T
21	133700220325	2	SLEEVE ASSY,
22	133700220299	1	TANDWIEL, , 27T
30	153700220047	1	SYNCHRONISATOR, , Besteht aus/Consists of/Compose de/Bestående af/È composto da 31 - 36 - Ersetzt/Replaces/Remplace/Udskiftet/Sostituisce 153700220003
31	153700220710	2	RING, SYNCHRO,
32	153700220702	2	RING, SYNCHRO,
33	153700220704	2	VEER,
34	NSS	1	NIET ALLEEN VERKRIJGBAAR,
35	NSS	1	NIET ALLEEN VERKRIJGBAAR,
36	153700220703	3	PAD, WEAR,
47	131700220036	1	TANDWIEL, , 31T
48	133700220121	2	SLEEVE ASSY,
51	133700220297	1	TANDWIEL, , 44T
60	153700220052	1	SYNCHRONISATOR, , Besteht aus/Consists of/Compose de/Bestående af/È composto da 61 - 67 - Ersetzt/Replaces/Remplace/Udskiftet/Sostituisce 153700220002
61	153700220708	2	LICHAAM,
62	153700220707	2	RING, SYNCHRO,
63	NSS	1	NIET ALLEEN VERKRIJGBAAR,
64	NSS	1	NIET ALLEEN VERKRIJGBAAR,
65	153700220701	3	VEER,
66	153700220705	3	KOGEL,
67	153700220706	3	PAD, WEAR,
70		1	, SATZ/SET OF/JEU/SÆT/SERIE - Siehe Getrieberäder und -wellen/See transmission wheel and -shaft/Voir pneumatique de boîte de vitesses avec -arbre/Se gearkassehjul og -aksler/Vedere ingranaggi e alberi della trasmissione
71	131700220037	1	TANDWIEL, , 16T
72	133700220433	1	TUSSENAS, , 13T
73	190003320043	1	LAGER, KOGEL,
74	1180A220033	1	SLUITRING, , 0,1mm
74	1180A220034	1	SLUITRING, , 0,2mm

Ref	Onderdeelnummer	Kwt	Beschrijving
80		1	, SATZ/SET OF/JEU/SÆT/SERIE - Siehe Getrieberäder und -wellen/See transmission wheel and -shaft/Voir pneumatique de boite de vitesses avec -arbre/Se gearkassehjulg og -aksler/Vedere ingranaggi e alberi della trasmissione
81	133700220056	1	WASHER, THRUST,
82	1292220132	1	LAGER, KOGEL,
83	190003935364	1	VEERRING, , SP90
84	133700220020	1	SHAFT, DRIVE, , 18T
100	1192220050	1	MOER, , Siehe Getrieberäder und -wellen/See transmission wheel and -shaft/Voir pneumatique de boite de vitesses avec -arbre/Se gearkassehjulg og -aksler/Vedere ingranaggi e alberi della trasmissione
101		1	, SATZ/SET OF/JEU/SÆT/SERIE - Siehe Vorschaltgruppe, synchronisiert/See preselection group, synchronized/Voir groupe préselecteur, synchronisé/Se forkoblingsgruppe, synkroniseret/Vedere gruppo di preselezione, sincronizzato
102	190003320028	1	LAGER, KOGEL, , Siehe Getrieberäder und -wellen/See transmission wheel and -shaft/Voir pneumatique de boite de vitesses avec -arbre/Se gearkassehjulg og -aksler/Vedere ingranaggi e alberi della trasmissione
103	1288220037	1	WASHER, THRUST,
104		1	, SATZ/SET OF/JEU/SÆT/SERIE - Siehe Vorwärts- und Rückwärtsschaltung/See forward- and reverse controls/Voir commandes de marche avant- et de marche arriere/Se forad- og bakke, gear/Vedere cambio marcia avanti e indietro



Ref	Onderdeelnummer	Kwt	Beschrijving
1	190003326215	2	LAGER, KOGEL,
2	133700220058	1	TANDWIEL, , 23T
3	133700220004	1	AFSTANDSRING,
4	133700220059	1	TUSSENAS, , 13T
5	133700220013	X	SLUITRING, , 1,50mm
5	133700220014	X	SLUITRING, , 1,62mm
5	133700220015	X	SLUITRING, , 1,86mm
5	133700220016	X	SLUITRING, , 1,98mm
6	190003934310	1	RING, SNAP, , 62x2
7	133700220297	1	TANDWIEL, , 44T, Siehe Seite(n) vorne/See page(s) before/Voir page(s) avant(es)/Se side(r) forrest/Vedere pagin(a/e) precedent(e/i)
8	133700220121	1	SLEEVE ASSY,
9	133700220056	1	WASHER, THRUST,
10	133700220354	1	LAGER, KOGEL, , Ersetzt/Replaces/Remplace/Udskiftet/Sostituisce 1292220132
11	190003935364	1	VEERRING, , SP90
12	133700220020	1	SHAFT, DRIVE, , 18T
13	1409020024	1	NEEDLE CAGE,
14	133700220408	1	NUT, SLOTTED, , Ersetzt/Replaces/Remplace/Udskiftet/Sostituisce 1292220201
15	133700290106	1	SLEEVE, TRANSMISSION,
16	133700220134	1	TANDWIEL BIJ WIEL,
17	133700220132	1	SCHIJF,
18	133700220136	1	TANDWIEL, , 34T
20	133700270157	1	LAGER, NAALD, , K48/60/35, ----> . . . .
20	153700220060	1	LAGER, NAALD, , K55/60/32, . . . .---->
20A	153700220058	1	AFSTANDSRING, , . . . .---->
21	133700220353	1	SLEEVE ASSY, , ----> . . . . / Ersetzt/Replaces/Remplace/Udskiftet/Sostituisce 133700220135
21	153700220057	1	LAGERBUS, , . . . .---->
22	153700220036	1	LAGER, ROL, , Ersetzt/Replaces/Remplace/Udskiftet/Sostituisce 133700220146
23	190003934425	1	RING, SNAP, , 85x3
24	133700220180	X	SLUITRING, , 3,75mm
24	133700220181	X	SLUITRING, , 3,90mm
24	133700220182	X	SLUITRING, , 4,10mm
24	133700220185	X	SLUITRING, , 4,15mm
24	133700220186	X	SLUITRING, , 4,20mm
24	133700220187	X	SLUITRING, , 4,25mm
24	133700220183	X	SLUITRING, , 4,30mm
24	133700220437	X	SLUITRING, , 4,35mm
24	133700220184	X	SLUITRING, , 4,40mm
25	133700220024	X	SLUITRING, , 2,8mm
25	133700220025	X	SLUITRING, , 3,0mm
25	133700220355	X	SLUITRING, , 3,1mm

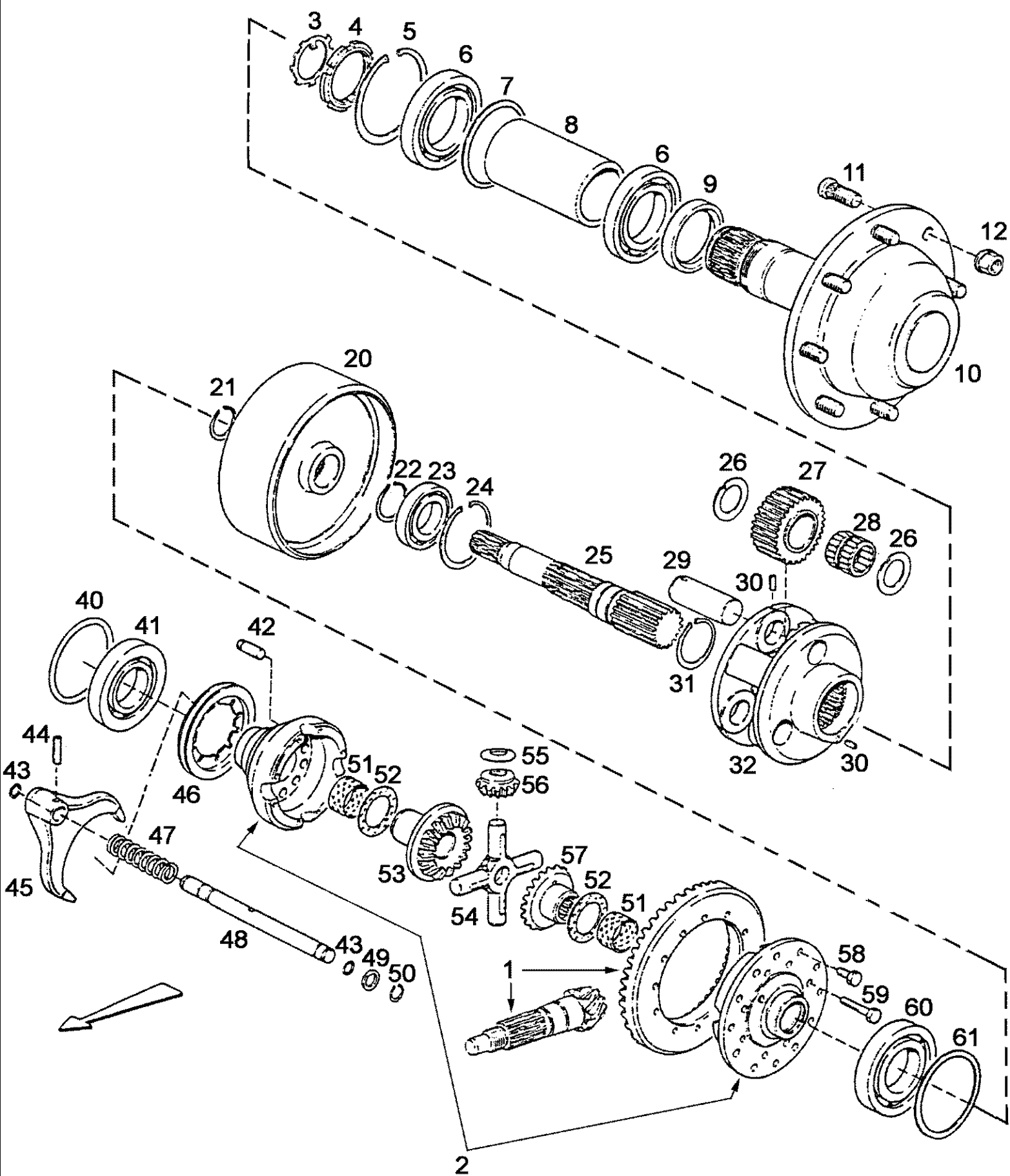
Ref	Onderdeelnummer	Kwt	Beschrijving
25	133700220026	X	SLUITRING, , 3,2mm
25	133700220147	X	SLUITRING, , 3,3mm
25	133700220027	X	SLUITRING, , 3,4mm
25	133700220142	X	SLUITRING, , 3,5mm
25	133700220143	X	SLUITRING, , 3,6mm
25	133700220144	X	SLUITRING, , 3,8mm
26	190003326627	1	LAGER, KOGEL,
27	133700320158	1	KONISCHE KOPPELINGEN, , 8/41 T, Siehe nächste Seite(n)/See next page(s)/Voir page(s) suivante(s)/Se næste side(r)/Vedere pagin(a/e) seguent(e/i)





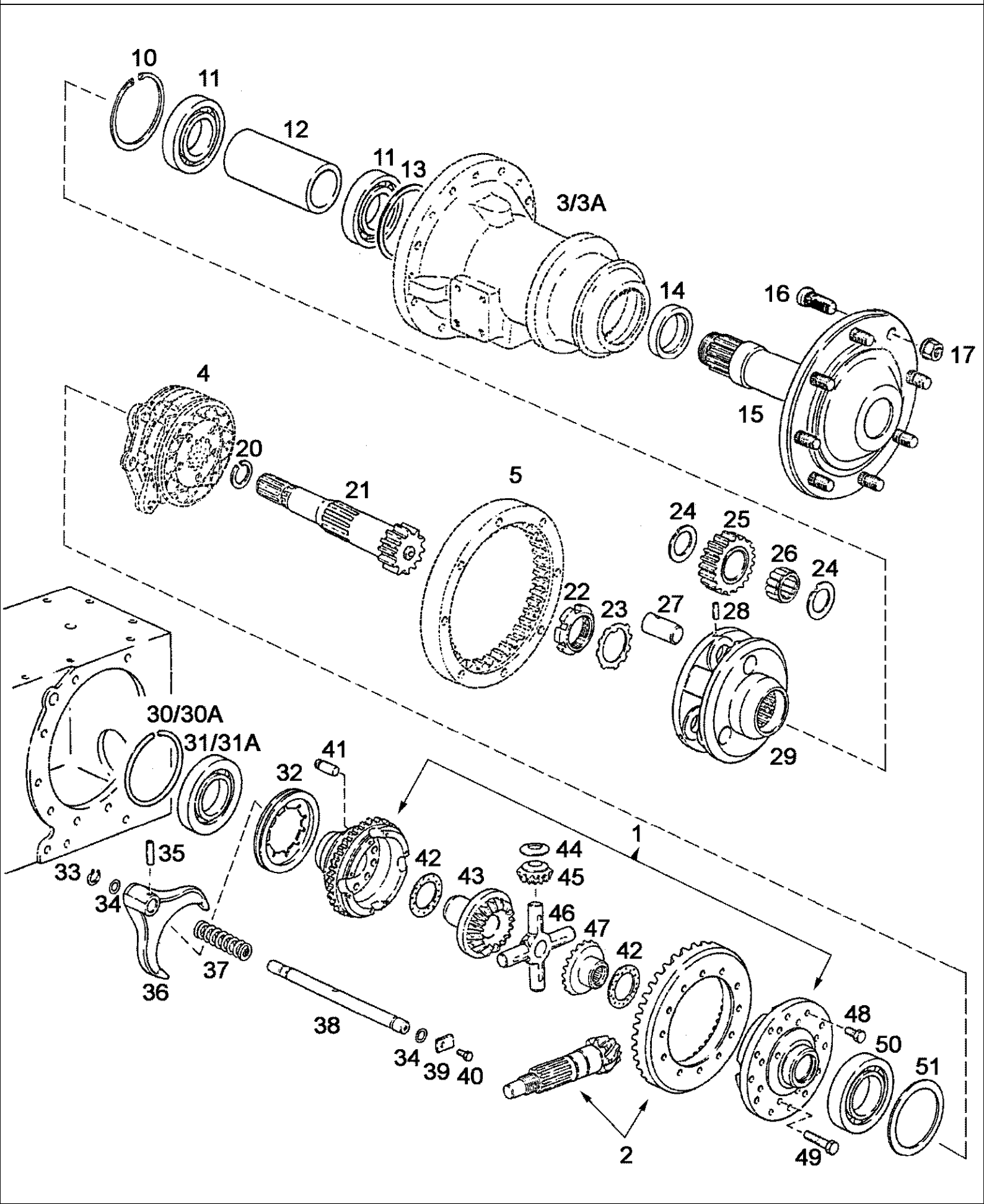
Ref	Onderdeelnummer	Kwt	Beschrijving
1	190003326215	2	LAGER, KOGEL,
2	133700220058	1	TANDWIEL, , 23T
3	133700220004	1	AFSTANDSRING,
4	133700220059	1	TUSSENAS, , 13T
5	133700220013	X	SLUITRING, , 1,50mm
5	133700220014	X	SLUITRING, , 1,62mm
5	133700220015	X	SLUITRING, , 1,86mm
5	133700220016	X	SLUITRING, , 1,98mm
6	190003934310	1	RING, SNAP, , 62x2
7	133700220297	1	TANDWIEL, , 44T, Siehe Seite(n) vorne/See page(s) before/Voir page(s) avant(es)/Se side(r) forrest/Vedere pagin(a/e) precedent(e/i)
8	133700220121	1	SLEEVE ASSY,
9	133700220056	1	WASHER, THRUST,
10	133700220354	1	LAGER, KOGEL, , Ersetzt/Replaces/Remplace/Udskiftet/Sostituisce 1292220132
11	190003935364	1	VEERRING, , SP90
12	133700220020	1	SHAFT, DRIVE, , 18T
13	1409020024	1	NEEDLE CAGE,
14	133700220408	1	NUT, SLOTTED, , Ersetzt/Replaces/Remplace/Udskiftet/Sostituisce 1292220201
15	133700220196	1	TANDWIEL BIJ WIEL, , 33T
15A	133700290105	1	TANDWIEL BIJ WIEL, , 33T
16	133700220053	1	SLEEVE, TRANSMISSION,
16A	133700290106	1	SLEEVE, TRANSMISSION,
17	133700220036	1	TANDWIEL, , 34T
17A	133700220136	1	TANDWIEL, , 34T
18	1192220137	1	SLEEVE ASSY,
18A	133700220353	1	SLEEVE ASSY, , ----> ..... / Ersetzt/Replaces/Remplace/Udskiftet/Sostituisce 133700220135
18A	153700220057	1	LAGERBUS, , . . . .---->
19	133700220056	1	WASHER, THRUST,
19A	133700220132	1	SCHIJF,
20	133700270157	1	LAGER, NAALD, , K48/60/35, ----> .....
20	153700220060	1	LAGER, NAALD, , K55/60/32, ..... ---->
20A	153700220058	1	AFSTANDSRING, , . . . .---->
21	153700220036	1	LAGER, ROL, , Ersetzt/Replaces/Remplace/Udskiftet/Sostituisce 133700220146
22	190003934425	1	RING, SNAP, , 85x3
23	133700220180	X	SLUITRING, , 3,75mm
23	133700220181	X	SLUITRING, , 3,90mm
23	133700220182	X	SLUITRING, , 4,10mm
23	133700220185	X	SLUITRING, , 4,15mm
23	133700220186	X	SLUITRING, , 4,20mm
23	133700220187	X	SLUITRING, , 4,25mm
23	133700220183	X	SLUITRING, , 4,30mm

Ref	Onderdeelnummer	Kwt	Beschrijving
23	133700220437	X	SLUITRING, , 4,35mm
23	133700220184	X	SLUITRING, , 4,40mm
24	133700220024	X	SLUITRING, , 2,8mm
24	133700220025	X	SLUITRING, , 3,0mm
24	133700220355	X	SLUITRING, , 3,1mm
24	133700220026	X	SLUITRING, , 3,2mm
24	133700220147	X	SLUITRING, , 3,3mm
24	133700220027	X	SLUITRING, , 3,4mm
24	133700220142	X	SLUITRING, , 3,5mm
24	133700220143	X	SLUITRING, , 3,6mm
24	133700220144	X	SLUITRING, , 3,8mm
25	190003326627	1	LAGER, KOGEL,
26	133700320158	1	KONISCHE KOPPELINGEN, , 8/41 T, Siehe nächste Seite(n)/See next page(s)/Voir page(s) suivante(s)/Se næste side(r)/Vedere pagin(a/e) seguent(e/i)



Ref	Onderdeelnummer	Kwt	Beschrijving
1	133700320158	1	KONISCHE KOPPELINGEN, , 8/41 T
2	133700320501	1	HUIS,
3	190003936452	2	BORGPLAAT,
4	1190320029	2	NUT, SLOTTED,
5	190003934520	2	RING, SNAP, , 120x4
6	190003311039	4	LAGER, KOGEL,
7	1188320023	1	SLUITRING, , 0,4mm
8	1190320065	2	AFSTANDSSTUK VOOR BUIZEN,
9	133700320189	2	AFSTANDSRING,
10	133700320084	2	DRAAGAS, , Einschließlich/Includes/Avec/Inklusive/Compreso 4, 11
11	133700320113	16	TAPEIND,
12	190003880013	16	MOER, , A20-8
20	133700340008	2	DRUM, BRAKE, , Siehe Kapitel 07/See chapter 07/Voir chapitre 07/Se kapitel 07/Vedere capitolo 07
21	190003933321	2	RING, SNAP, , 42X1,75
22	190003933400	2	RING, SNAP, , 50x2
23	190003311070	2	LAGER, KOGEL,
24	190003934450	2	RING, SNAP, , 90x3
25	133700320083	2	SHAFTED PINION, , 15T
26	1190320036	12	WASHER, THRUST,
27	133700320152	6	GEAR WHEEL, , 20T
28	133700320153	6	LAGER, NAALD,
29	1190320026	6	PIN, LARGE,
30	190003909627	8	SPANSTIFT, , 6x18
31	190003933462	2	BORGVEER, , 65x2,5
32	1190320028	2	PLANEETWIELDRAGER,
40	133700330063	1	RING,
41	133700320146	1	LAGER, KOGEL,
42	1288320106	10	PIN, LARGE,
43	1406070015	2	O-RING,
44	190003909653	1	SPLITPEN, , 8x36
45	133700320002	1	STEEKVORK,
46	1288320105	1	RING,
47	1292320136	1	SPRING, COMPRESSION,
48	133700320023	1	AS,
49	1586230022	1	SCHIJF,
50	190003933100	1	RING, SNAP, , 20x1,2
51	1188320020	2	LAGERBUS,
52	1188320017	X	SLUITRING, , 0,9mm
52	1188320018	X	SLUITRING, , 1,0mm
52	1188320019	X	SLUITRING, , 1,1mm
53	133700320077	1	KONISCHE KOPPELINGEN, , 18T

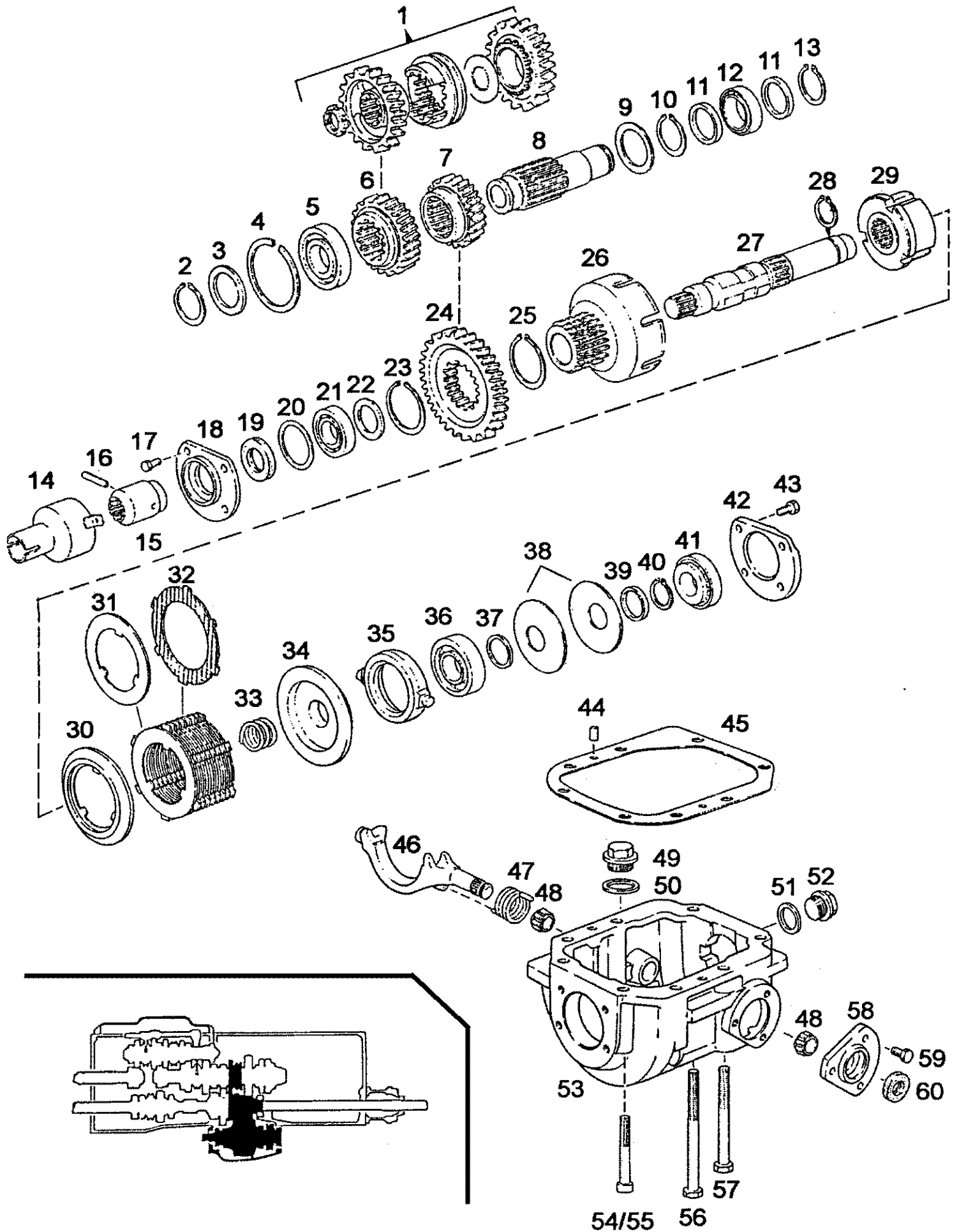
Ref	Onderdeelnummer	Kwt	Beschrijving
54	133700320082	1	SPIDER, DIFF.,
55	1190320052	4	WASHER, THRUST,
56	133700320014	4	NULLASTTANDWIEL, , 10 T
57	133700320076	1	KONISCHE KOPPELINGEN, , 18T
58	190003802528	12	SCHROEF, , M10x25-10.9
59	190003802555	8	SCHROEF, , M10x55-10.9
60	133700320137	1	LAGER, KOGEL,
61	1288320012	1	SLUITRING, , 0,1mm
61	1288320013	1	SLUITRING, , 0,2mm
61	1288320014	1	SLUITRING, , 0,4mm
61	1288320108	1	SLUITRING, , 1,0mm



Ref	Onderdeelnummer	Kwt	Beschrijving
1	133700320501	1	HUIS,
2	133700320158	1	KONISCHE KOPPELINGEN, , 8/41 T
3	1190330012	1	SHAFT HOUSING, , Links/Left/Gauche/Venstre/Sinistro
3A	1190330013	1	SHAFT HOUSING, , Rechts/Right/Droite/Højre/Destra
4		1	, SERVOBREMSE/BRAKE SERVO/SERVO-FREIN/SERVOBREMSE/SERVOFRENO - Siehe Kapitel 07/See chapter 07/Voir chapitre 07/Se kapitel 07/Vedere capitolo 07
5	133700320209	2	RING, ZWENKEND, , 57T
10	190003934520	2	RING, SNAP, , 120x4
11	190003311039	4	LAGER, KOGEL,
12	1190320065	2	AFSTANDSSTUK VOOR BUIZEN,
13	1188320023	1	SLUITRING, , 0,4mm
14	133700320189	2	AFSTANDSRING,
15	133700320084	2	DRAAGAS, , Einschließlich/Includes/Avec/Inklusive/Compreso 16, 22
16	133700320113	16	TAPEIND,
17	190003880013	16	MOER, , A20-8
20	190003930124	2	RING, SNAP, , 35
21	133700320210	2	SHAFTED PINION, , 15T
22	1190320029	2	NUT, SLOTTED,
23	190003936452	2	BORGPLAAT,
24	1190320036	12	WASHER, THRUST,
25	133700320152	6	GEAR WHEEL, , 20T
26	133700320153	6	LAGER, NAALD,
27	1190320026	6	PIN, LARGE,
28	190003909627	6	SPANSTIFT, , 6x18
29	1190320028	2	PLANEETWIELDRAGER,
30	133700330063	1	RING, , ----> ..... / Nur mit/Only with/Selement avec/Kun med/Solo con REF 31
30A	133700330083	1	SPACER, RING, , ..... ----> / Nur mit/Only with/Selement avec/Kun med/Solo con REF 31A
31	133700320146	1	LAGER, KOGEL, , ----> ..... / Nur mit/Only with/Selement avec/Kun med/Solo con REF 30
31A	190003311036	1	LAGER, KOGEL, , ..... ----> / Nur mit/Only with/Selement avec/Kun med/Solo con REF 30A
32	1288320105	1	RING,
33	190003933100	1	RING, SNAP, , 20x1,2
34	1406070015	2	O-RING,
35	190003909653	1	SPLITPEN, , 8x36
36	133700320002	1	STEEKVORK,
37	1292320136	1	SPRING, COMPRESSION,
38	133700320214	1	AS,
39	133700320213	1	PLAAT,
40	336199	1	BOUT, Hex, M8 x 12, 8.8, Full Thd, , M8x12-8.8
41	1288320106	10	PIN, LARGE,
42	1188320017	X	SLUITRING, , 0,9mm
42	1188320018	X	SLUITRING, , 1,0mm

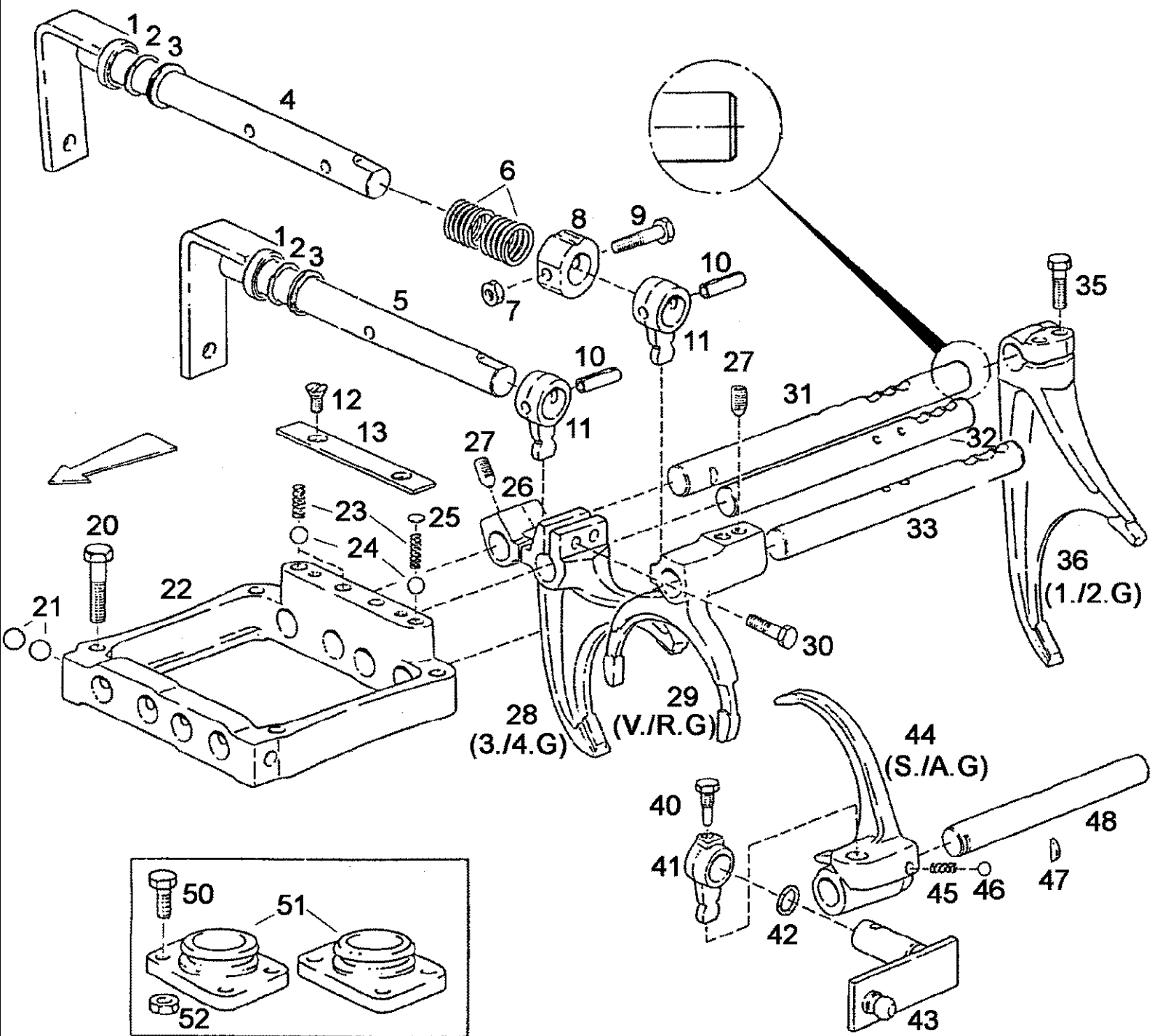
Ref	Onderdeelnummer	Kwt	Beschrijving
42	1188320019	X	SLUITRING, , 1,1mm
43	133700320208	1	KONISCHE KOPPELINGEN, , 18T
44	1190320052	4	WASHER, THRUST,
45	133700320014	4	NULLASTTANDWIEL, , 10 T
46	133700320082	1	SPIDER, DIFF.,
47	133700320207	1	KONISCHE KOPPELINGEN, , 18T
48	190003802528	12	SCHROEF, , M10x25-10.9
49	190003802555	8	SCHROEF, , M10x55-10.9
50	133700320137	1	LAGER, KOGEL,
51	1288320012	1	SLUITRING, , 0,1mm
51	1288320013	1	SLUITRING, , 0,2mm
51	1288320014	1	SLUITRING, , 0,4mm
51	1288320108	1	SLUITRING, , 1,0mm



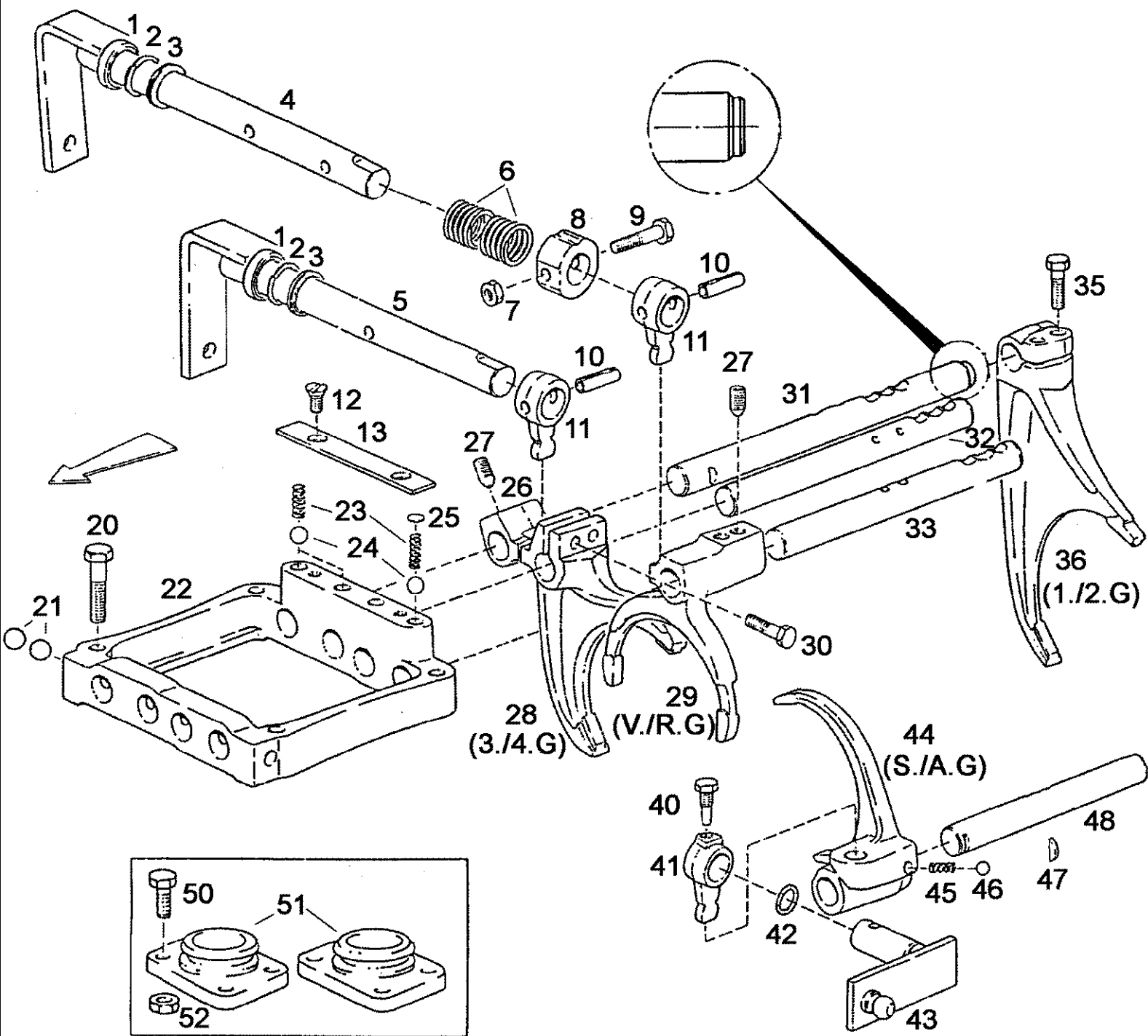


Ref	Onderdeelnummer	Kwt	Beschrijving
1		1	, ZAHNRADSATZ/GEAR, SEAT/JEU DE PIGNONS/TANDHJUL SÆT/RUOTA DENTATA SERIE - Siehe Seite(n) vorne/See page(s) before/Voir page(s) avant(es)/Se side(r) forrest/Vedere pagin(a/e) precedent(e/i)
2	190003933403	1	SNAP RING, , 50x3
3	1192270018	1	SLUITRING,
4	190003935364	1	VEERRING, , SP90
5	190003323641	1	LAGER, KOGEL,
6	133700290273	1	TANDWIEL, , 28T, Ersetzt/Replaces/Remplace/Udskiftet/Sostituisce 133700220054
7	153700290010	1	TANDWIEL, , 34T, Ersetzt/Replaces/Remplace/Udskiftet/Sostituisce 153700290007
8	133700220145	1	AS,
9	133700220057	1	SCHIJF,
10	190003933971	1	RING, SNAP, , 52x3
11	133700270171	2	WASHER, THRUST,
12	133700290043	1	LAGER, NAALD, , 45/65/20
13	190003933351	1	RING, SNAP, , 45x1,75
14	133700310019	1	COVER, PROTECTIVE,
15	133700290258	1	SLEEVE, TRANSMISSION,
16	190003909656	1	SPANSTIFT, , 8x45
17	120104	8	BOUT, Hex, M8 x 20, 8.8,
18	133700290259	1	DEKSEL,
19	190003070011	1	O-RING,
20	1397290076	1	SLUITRING, , 0,10mm
20	1397290077	1	SLUITRING, , 0,15mm
20	1397290078	1	SLUITRING, , 0,40mm
21	190003326022	1	LAGER, KOGEL,
22	133700290234	1	WASHER, THRUST,
23	190003933500	2	RING, SNAP, , 70x2,5
24	155700290041	1	TANDWIEL, , 53T
24	155700290042	1	TANDWIEL, , 56T
25	190003933500	2	RING, SNAP, , 70x2,5
26	133700290231	1	HOUSING, CLUTCH,
27	153700290002	1	AS,
28	190003933242	1	RING, SNAP, , 34x2,5
29	133700290232	1	LAGERBUS,
30	1288220011	1	RING, THRUST,
31	155700290038	11	RIB, , Wahlweise/Optional/En option/Efter valg/A scelta
31	1397290105	11	RIB, , Wahlweise/Optional/En option/Efter valg/A scelta
32	155700290037	10	RIB,
33	199012470034	1	SPRING, COMPRESSION,
34	153700290003	1	PAD, WEAR,
35	153700290004	1	UITWERPER,

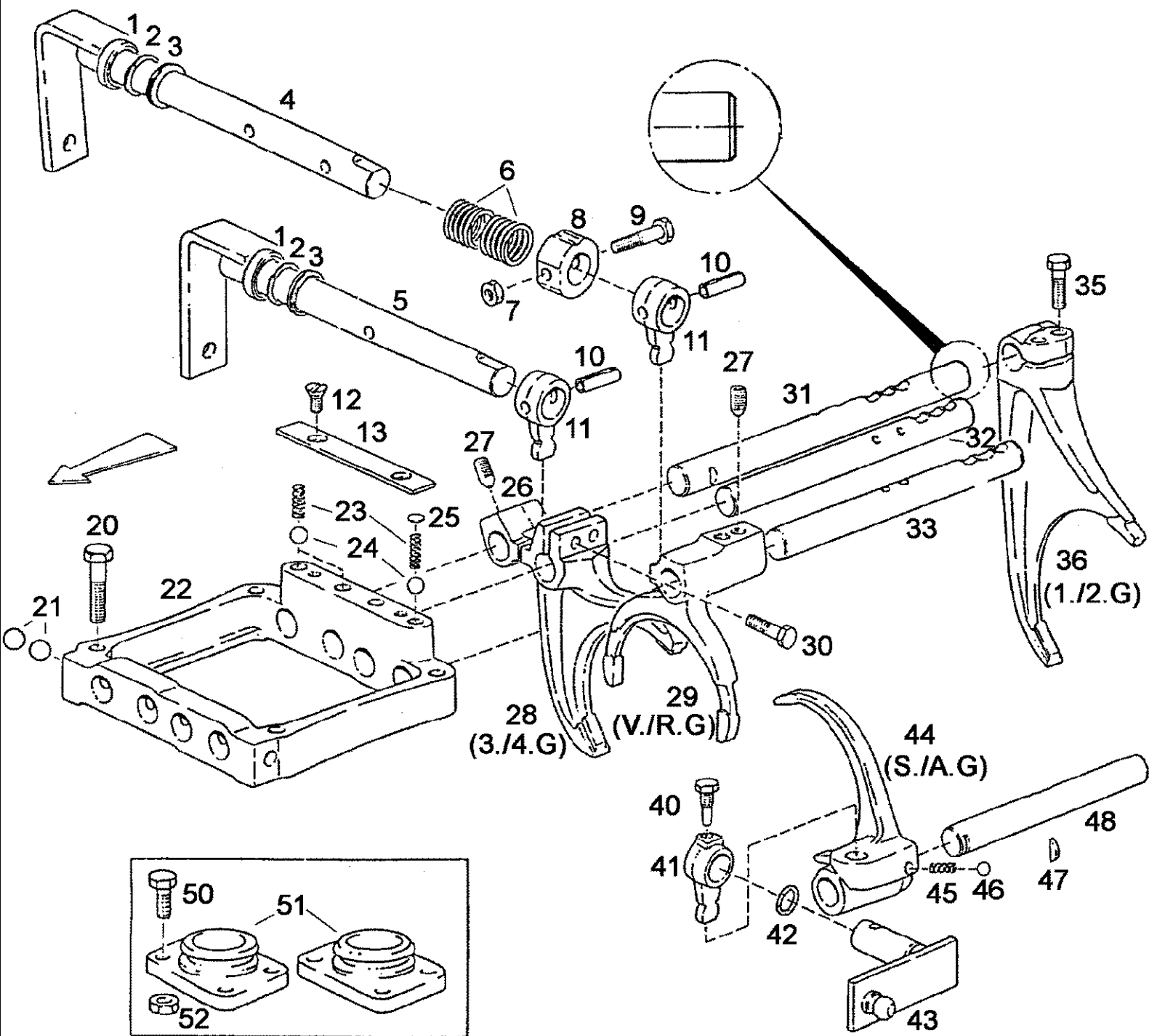
Ref	Onderdeelnummer	Kwt	Beschrijving
36	190003310061	1	LAGER, KOGEL,
37	133700290077	1	SLUITRING, , 2,5mm
38	153700290005	6	SPRING, BELLEVILLE,
39	133700290077	1	SLUITRING, , 2,5mm
39	133700290080	1	SLUITRING, , 3,0mm
39	133700290081	1	SLUITRING, , 3,5mm
39	133700290082	1	SLUITRING, , 4,0mm
39	133700290083	1	SLUITRING, , 4,5mm
39	133700290084	1	SLUITRING, , 5,0mm
39	133700290085	1	SLUITRING, , 5,5mm
39	135700290017	1	SLUITRING, , 6,0mm
39	135700290018	1	SLUITRING, , 6,5mm
40	190003933242	1	RING, SNAP, , 34x2,5
41	190003320123	1	STEL RINGEN +0.8,
42	133700290035	1	COVER,
43	120104	8	BOUT, Hex, M8 x 20, 8.8,
44	190003901507	2	PEN, , 10m6x16
45	133700290153	1	DIKTEPLAAT, , 0,2mm
45	133700290154	1	SLUITRING, , 0,3mm
46	153700290011	1	CRADLE,
47	153700290013	1	VEER,
48	1480270052	2	LAGER, NAALD,
49	190003960010	1	SCHROEF, , M33x2
50	190003098071	1	DICHTINGSRING, , A33x39-CU
51	190003098086	1	DICHTINGSRING, , A30x36-CU
52	190003962051	1	AFTAPPLUG, , C-M30x1,5
53	153700290019	1	HUIS, , Ersetzt/Replaces/Remplace/Udskiftet/Sostituisce 153700290008
54	190003862665	2	SCHROEF, , M12x90-10.9
55	190003862674	1	SCHROEF, , M12x100-10.9
56	190003800699	1	SCHROEF, , M12x160-8.8
57	190003800654	4	SCHROEF, , M12x130-10.9
58	153700290012	1	COVER,
59	120104	3	BOUT, Hex, M8 x 20, 8.8,
60	190003078150	1	DICHTINGSSTUK,



Ref	Onderdeelnummer	Kwt	Beschrijving
1	133700240063	2	RING, SCRAPER,
2	133700240064	2	DICHTINGSRING,
3	133700240065	2	RESERVERING,
4	133700240159	1	STANG,
5	133700240158	1	STANG,
6	180302010029	2	VEER,
7	190003888608	1	MOER, , VM6-8
8	133700240026	1	AANDRIJFKLAUW,
9	190003802349	1	SCHROEF, , M6x40-8.8
10	190003909684	2	SPANSTIFT, , 8x30
11	133700240025	2	VINGER,
12	190003862016	2	SCHROEF, , M8x16-10.9
13	1292240041	1	PANEELWERK,
20	190003802538	4	SCHROEF, , M10x40-8.8
21	190003330222	2	KOGEL, , Ø12mm
22	133700240048	1	RAAM,
23	11800240023	3	VEER,
24	190003330183	3	KOGEL, , Ø10mm
25	133700240009	1	SCHIJF,
26	133700240053	1	AANDRIJFKLAUW,
27	190003902746	6	SCHROEF, , M10x16
28	133700240109	1	STEEKVORK,
29	133700240116	1	STEEKVORK,
30	120104	1	BOUT, Hex, M8 x 20, 8.8,
31	133700240054	1	STANG,
32	133700240110	1	STANG,
33	133700240117	1	STANG,
35	43127	2	BOUT, Hex, M8 x 25, 8.8,
36	133700240108	1	STEEKVORK,
40	12700240064	1	SCHROEF,
41	1188270053	1	KOPPELINGSKLAUW, BEWEGEND,
42	1188270029	1	O-RING, , 13x2,5-NBR-70
43	133700240147	1	HEFBOOM,
44	133700240086	1	STEEKVORK,
45	1206240018	1	SPRING, COMPRESSION,
46	190003330148	1	KOGEL, , Ø 8,0mm
47	190003960802	1	WOODRUFF KEY, , 3x6,5
48	133700240080	1	STANG,
50	43127	8	BOUT, Hex, M8 x 25, 8.8,
51	133700240122	2	COVER,
52	43362	8	MOER, M8, CI 10,

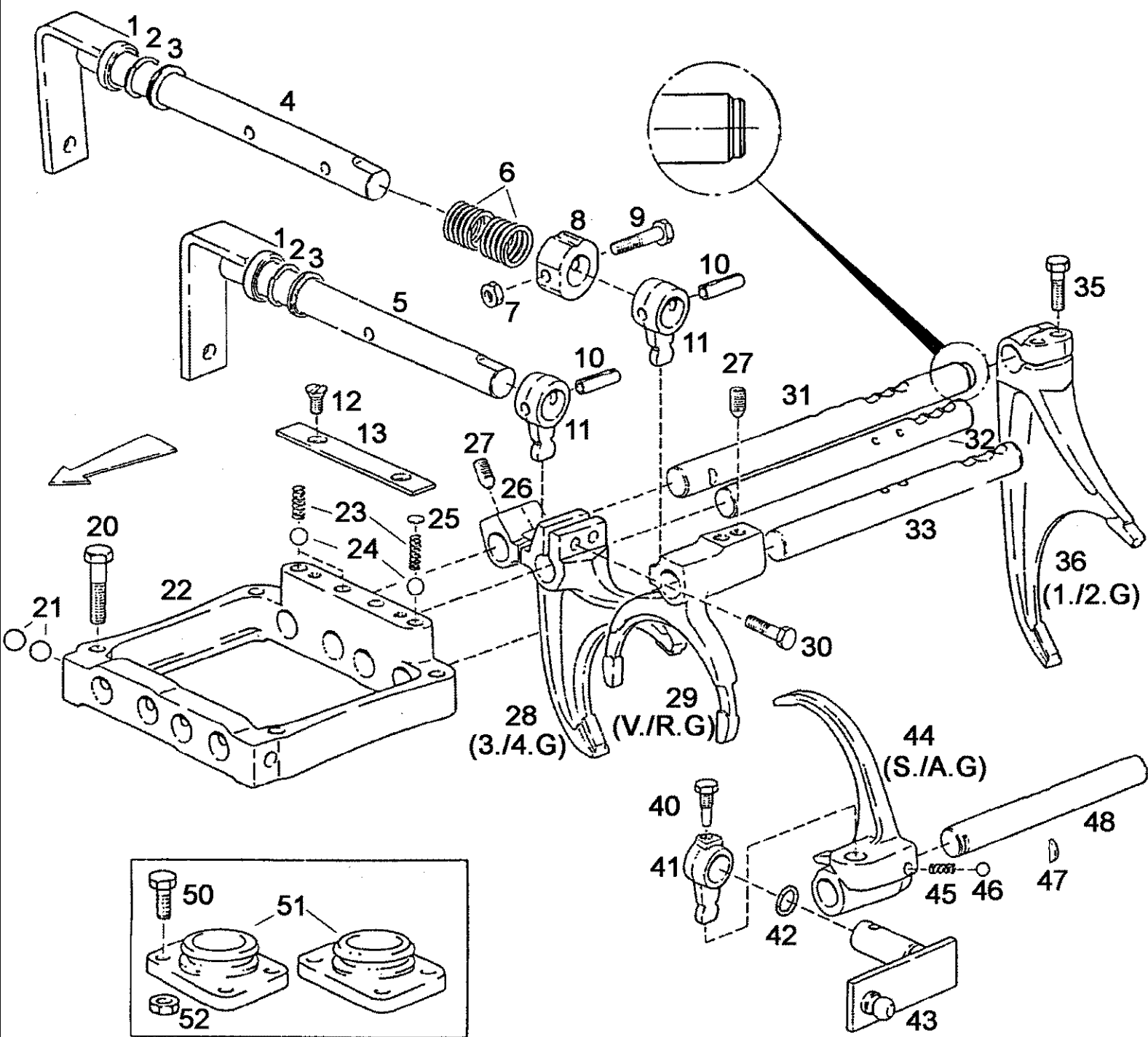


Ref	Onderdeelnummer	Kwt	Beschrijving
1	133700240063	2	RING, SCRAPER,
2	133700240064	2	DICHTINGSRING,
3	133700240065	2	RESERVERING,
4	133700240159	1	STANG,
5	133700240158	1	STANG,
6	180302010029	2	VEER,
7	190003888608	1	MOER, , VM6-8
8	133700240026	1	AANDRIJFKLAUW,
9	190003802349	1	SCHROEF, , M6x40-8.8
10	190003909684	2	SPANSTIFT, , 8x30
11	133700240025	2	VINGER,
12	190003862016	2	SCHROEF, , M8x16-10.9
13	1292240041	1	PANEELWERK,
20	190003802538	4	SCHROEF, , M10x40-8.8
21	190003330222	2	KOGEL, , Ø12mm
22	133700240048	1	RAAM,
23	11800240023	3	VEER,
24	190003330183	3	KOGEL, , Ø10mm
25	133700240009	1	SCHIJF,
26	133700240053	1	AANDRIJFKLAUW,
27	190003902746	6	SCHROEF, , M10x16
28	133700240109	1	STEEKVORK,
29	133700240116	1	STEEKVORK,
30	120104	1	BOUT, Hex, M8 x 20, 8.8,
31	133700240124	1	STANG,
32	133700240110	1	STANG,
33	133700240117	1	STANG,
35	43127	2	BOUT, Hex, M8 x 25, 8.8,
36	133700240108	1	STEEKVORK,
40	12700240064	1	SCHROEF,
41	1188270053	1	KOPPELINGSKLAUW, BEWEGEND,
42	1188270029	1	O-RING, , 13x2,5-NBR-70
43	133700240147	1	HEFBOOM,
44	133700240086	1	STEEKVORK,
45	1206240018	1	SPRING, COMPRESSION,
46	190003330148	1	KOGEL, , Ø 8,0mm
47	190003960802	1	WOODRUFF KEY, , 3x6,5
48	133700240080	1	STANG,
50	43127	8	BOUT, Hex, M8 x 25, 8.8,
51	133700240122	2	COVER,
52	43362	8	MOER, M8, CI 10,

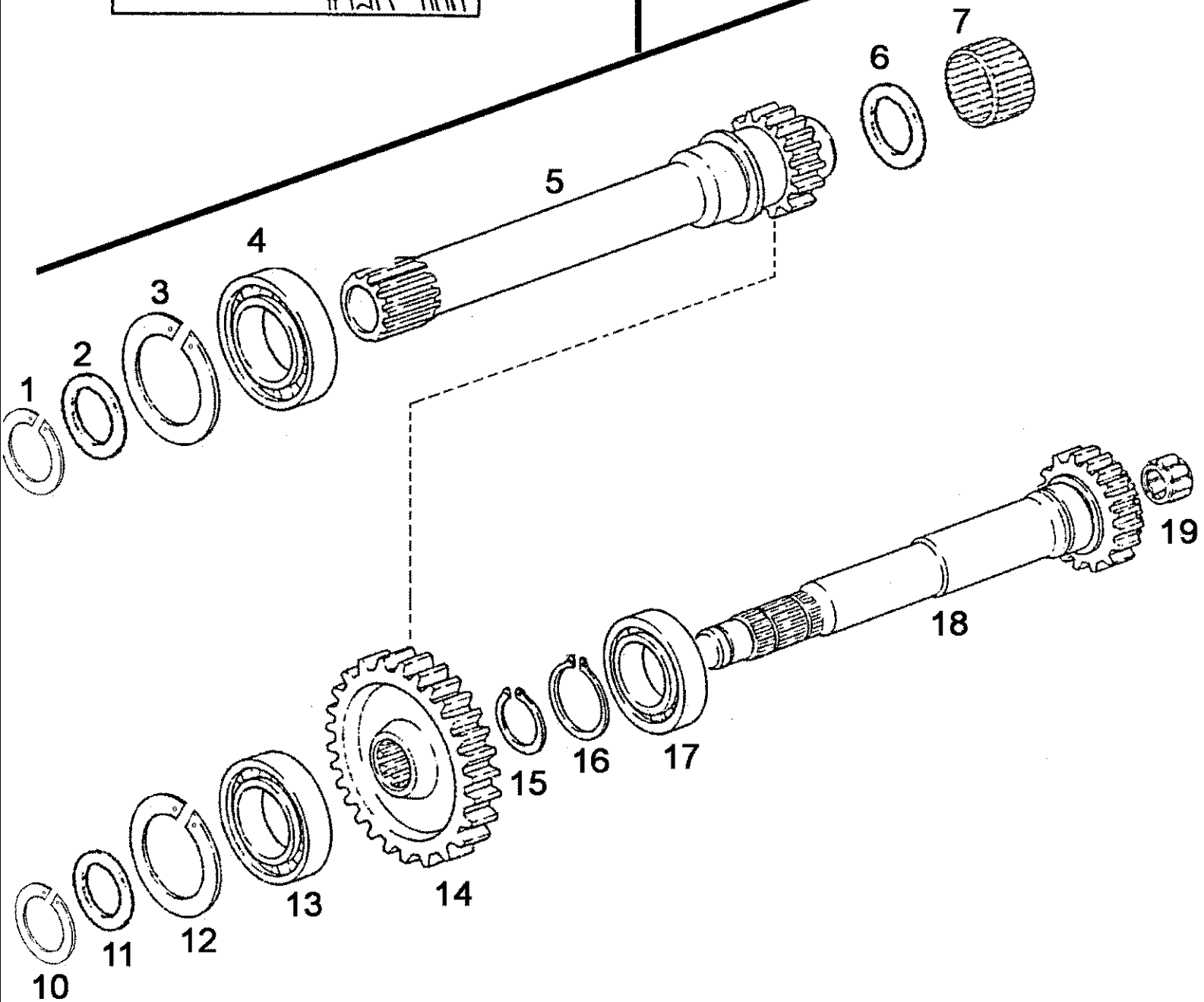
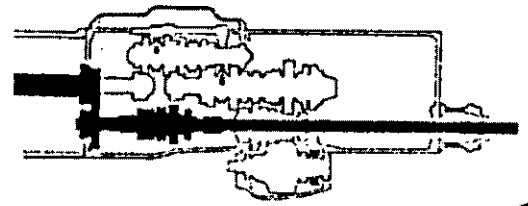
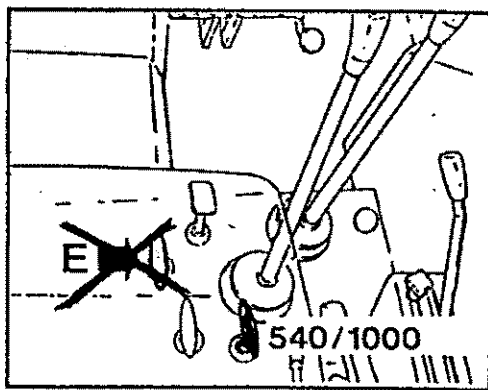




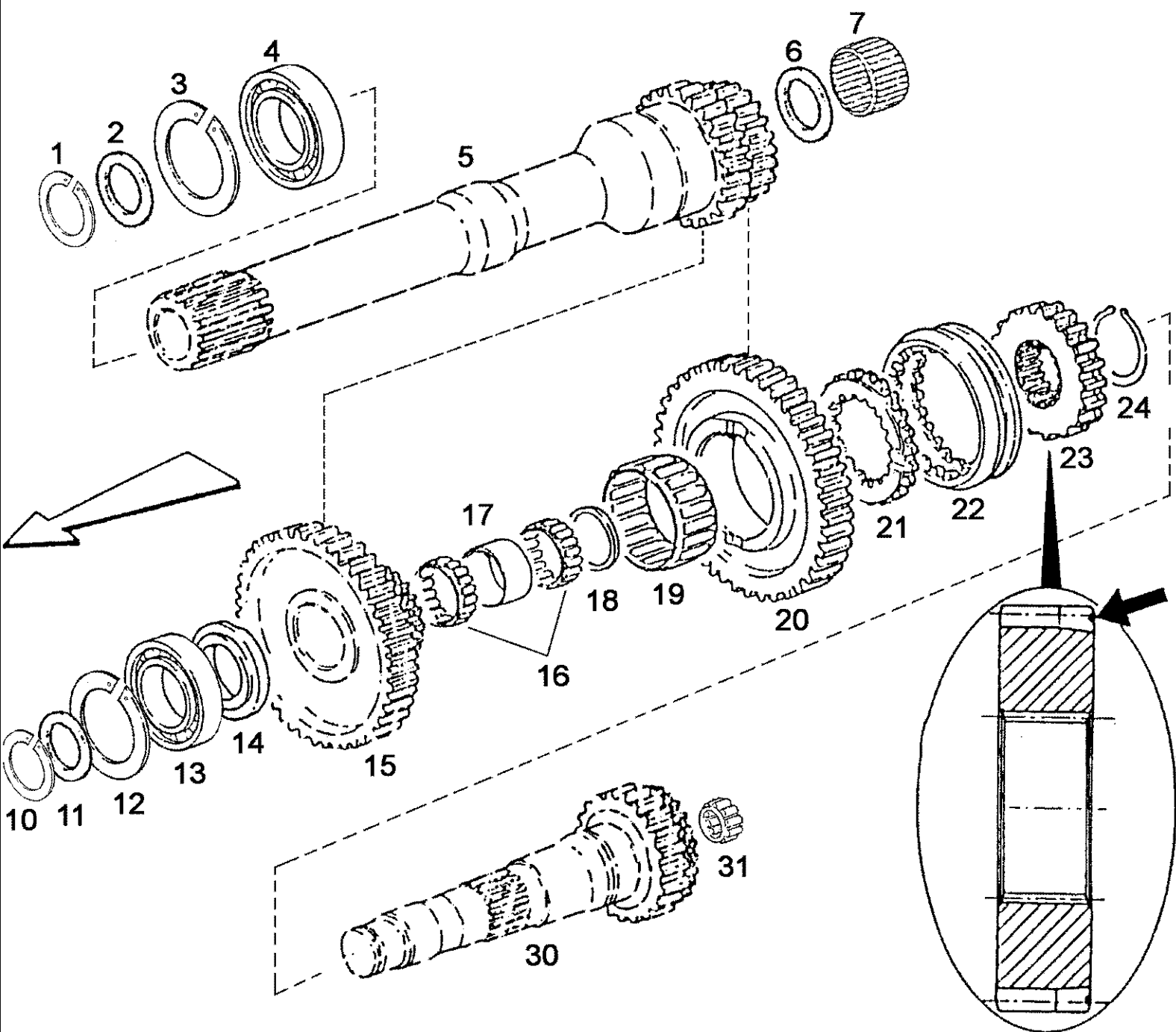
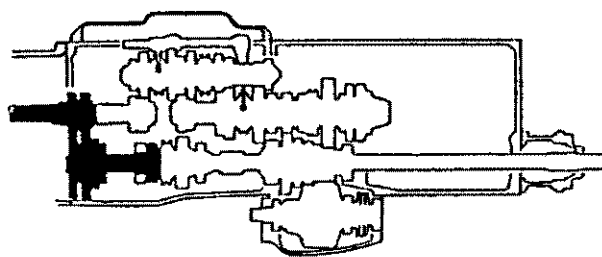
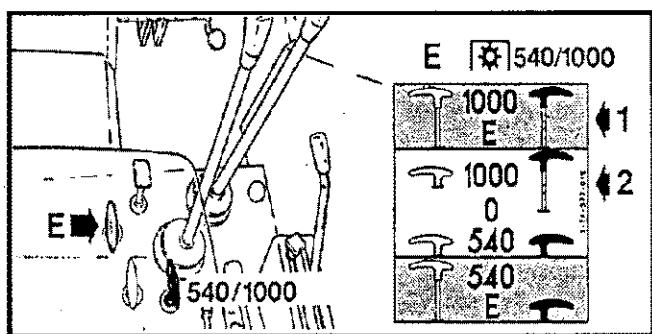
Ref	Onderdeelnummer	Kwt	Beschrijving
1	133700240063	2	RING, SCRAPER,
2	133700240064	2	DICHTINGSRING,
3	133700240065	2	RESERVERING,
4	133700240159	1	STANG,
5	133700240158	1	STANG,
6	180302010029	2	VEER,
7	190003888608	1	MOER, , VM6-8
8	133700240026	1	AANDRIJFKLAUW,
9	190003802349	1	SCHROEF, , M6x40-8.8
10	190003909684	2	SPANSTIFT, , 8x30
11	133700240025	2	VINGER,
12	190003862016	2	SCHROEF, , M8x16-10.9
13	1292240041	1	PANEELWERK,
20	190003802538	4	SCHROEF, , M10x40-8.8
21	190003330222	2	KOGEL, , Ø12mm
22	133700240048	1	RAAM,
23	11800240023	3	VEER,
24	190003330183	3	KOGEL, , Ø10mm
25	133700240009	1	SCHIJF,
26	133700240053	1	AANDRIJFKLAUW,
27	190003902746	6	SCHROEF, , M10x16
28	133700240109	1	STEEKVORK,
29	133700240116	1	STEEKVORK,
30	120104	1	BOUT, Hex, M8 x 20, 8.8,
31	133700240054	1	STANG,
32	133700240110	1	STANG,
33	133700240117	1	STANG,
35	43127	2	BOUT, Hex, M8 x 25, 8.8,
36	133700240108	1	STEEKVORK,
40	12700240064	1	SCHROEF,
41	1188270053	1	KOPPELINGSKLAUW, BEWEGEND,
42	1188270029	1	O-RING, , 13x2,5-NBR-70
43	133700240147	1	HEFBOOM,
44	133700240079	1	STEEKVORK,
45	1206240018	1	SPRING, COMPRESSION,
46	190003330148	1	KOGEL, , Ø 8,0mm
47	190003960802	1	WOODRUFF KEY, , 3x6,5
48	133700240080	1	STANG,
50	43127	8	BOUT, Hex, M8 x 25, 8.8,
51	133700240122	2	COVER,
52	43362	8	MOER, M8, CI 10,



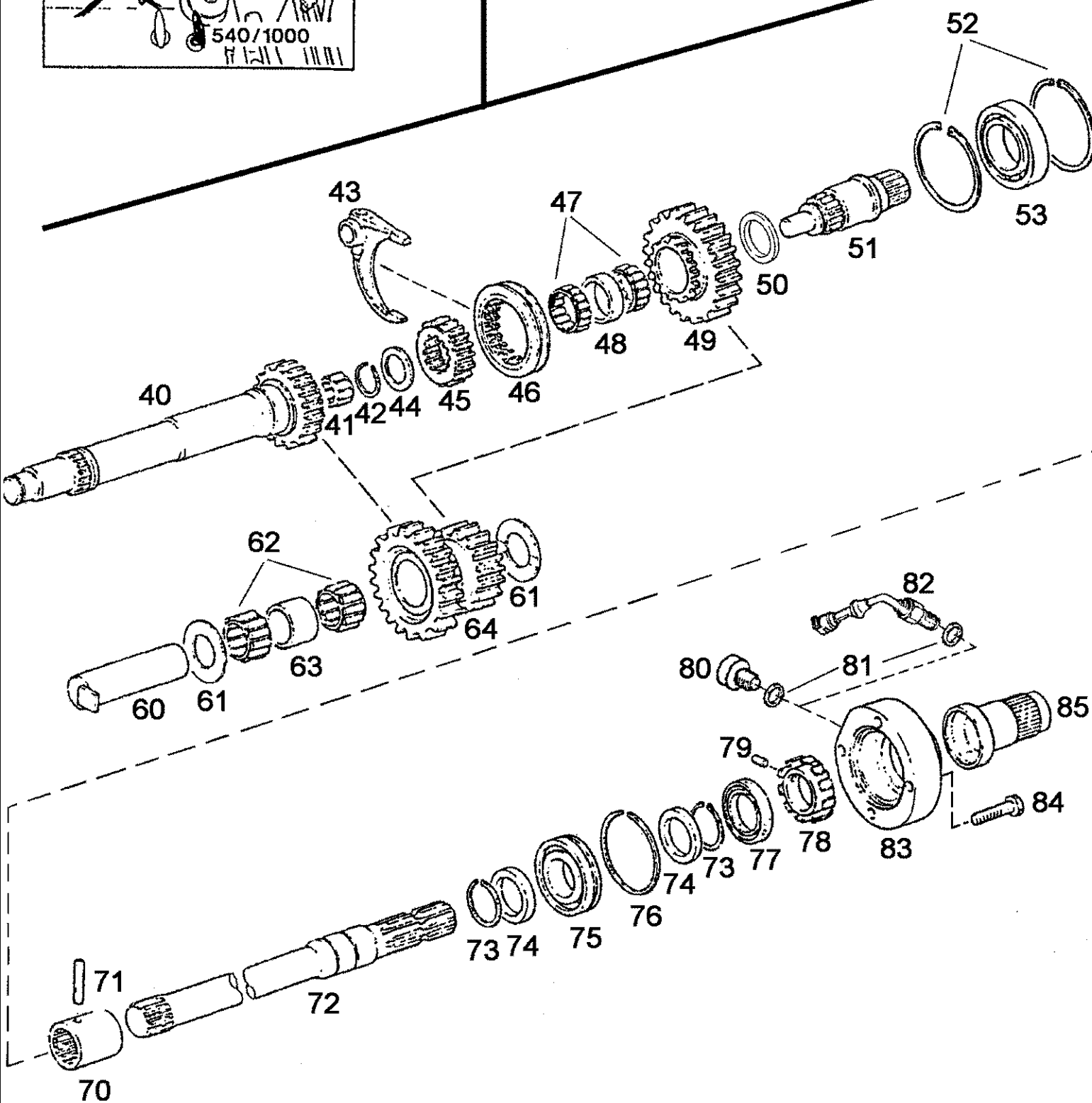
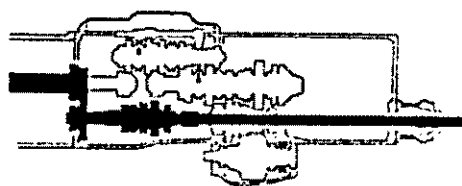
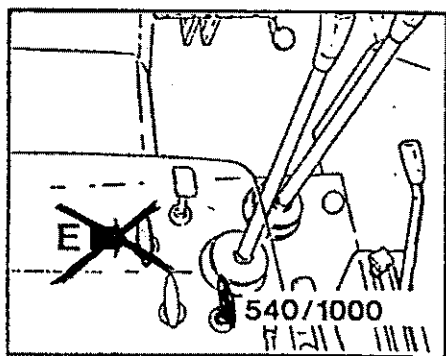
Ref	Onderdeelnummer	Kwt	Beschrijving
1	133700240063	2	RING, SCRAPER,
2	133700240064	2	DICHTINGSRING,
3	133700240065	2	RESERVERING,
4	133700240159	1	STANG,
5	133700240158	1	STANG,
6	180302010029	2	VEER,
7	190003888608	1	MOER, , VM6-8
8	133700240026	1	AANDRIJFKLAUW,
9	190003802349	1	SCHROEF, , M6x40-8.8
10	190003909684	2	SPANSTIFT, , 8x30
11	133700240025	2	VINGER,
12	190003862016	2	SCHROEF, , M8x16-10.9
13	1292240041	1	PANEELWERK,
20	190003802538	4	SCHROEF, , M10x40-8.8
21	190003330222	2	KOGEL, , Ø12mm
22	133700240048	1	RAAM,
23	11800240023	3	VEER,
24	190003330183	3	KOGEL, , Ø10mm
25	133700240009	1	SCHIJF,
26	133700240053	1	AANDRIJFKLAUW,
27	190003902746	6	SCHROEF, , M10x16
28	133700240109	1	STEEKVORK,
29	133700240116	1	STEEKVORK,
30	120104	1	BOUT, Hex, M8 x 20, 8.8,
31	153700240124	1	STANG,
32	133700240110	1	STANG,
33	133700240117	1	STANG,
35	43127	2	BOUT, Hex, M8 x 25, 8.8,
36	133700240108	1	STEEKVORK,
40	12700240064	1	SCHROEF,
41	1188270053	1	KOPPELINGSKLAUW, BEWEGEND,
42	1188270029	1	O-RING, , 13x2,5-NBR-70
43	133700240147	1	HEFBOOM,
44	133700240079	1	STEEKVORK,
45	1206240018	1	SPRING, COMPRESSION,
46	190003330148	1	KOGEL, , Ø 8,0mm
47	190003960802	1	WOODRUFF KEY, , 3x6,5
48	133700240080	1	STANG,
50	43127	8	BOUT, Hex, M8 x 25, 8.8,
51	133700240122	2	COVER,
52	43362	8	MOER, M8, CI 10,



Ref	Onderdeelnummer	Kwt	Beschrijving
1	190003933451	2	BORGVEER, , 60X2
2	1395220165	1	SLUITRING,
3	190003935375	1	SLUITRING, , SP110
4	190003311136	1	LAGER, KOGEL,
5	133700270063	1	AS, , 23T
6	190003070001	1	DICHTINGSRING,
7	135700220001	1	LAGER, NAALD,
10	190003933200	1	RING, SNAP, , 30x1,5
11	1292270016	1	SCHIJF,
12	190003935359	1	VEERRING, , SP72
13	190003311518	1	LAGER, KOGEL,
14	133700270093	1	TANDWIEL, , 49T
15	190003933251	1	RING, SNAP, , 35x1,5
16	190003933400	1	RING, SNAP, , 50x2
17	190003311030	1	LAGER, KOGEL,
18	133700270090	1	AFTAKAS, , 21 T
19	1409020024	1	NEEDLE CAGE,

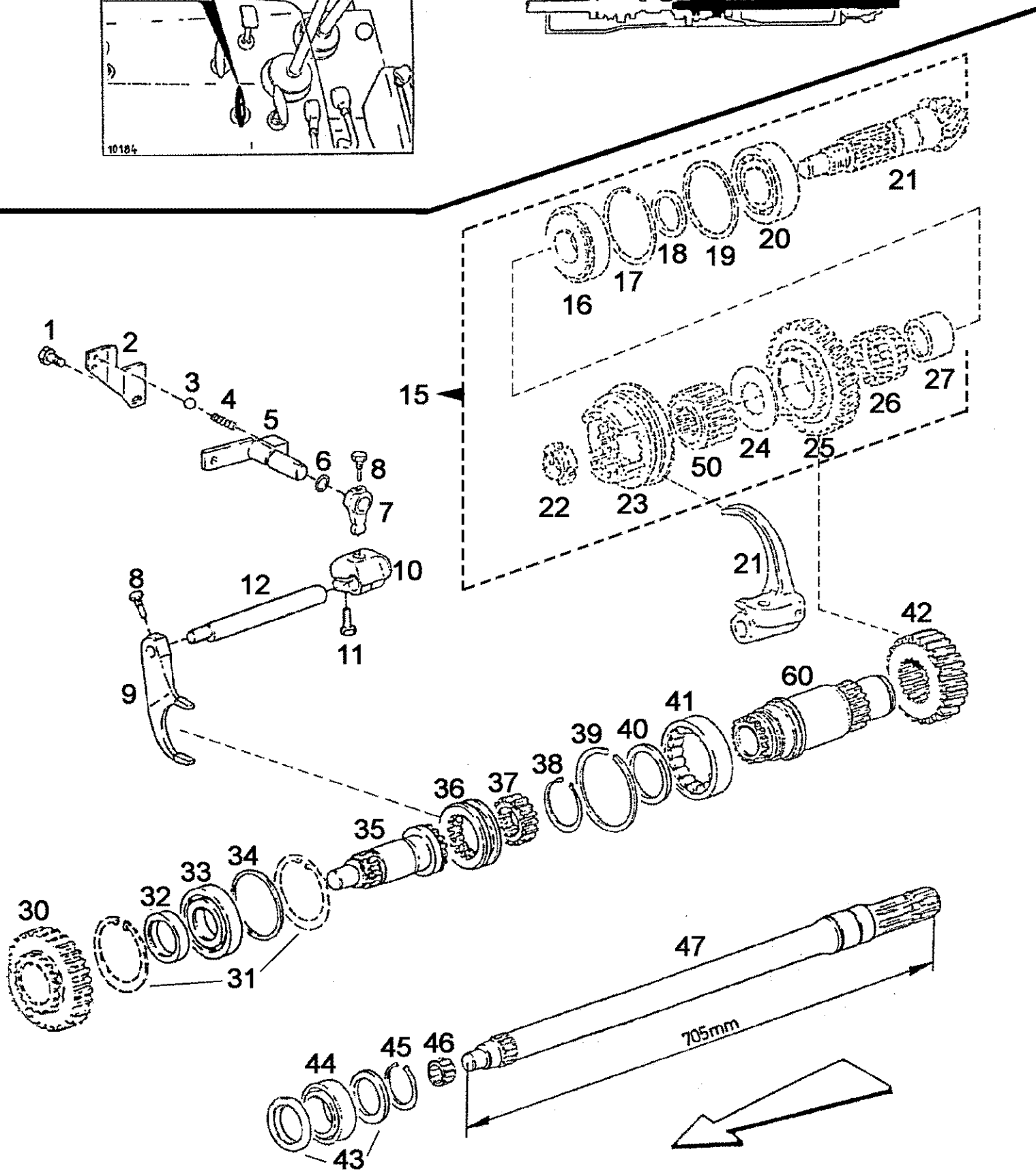
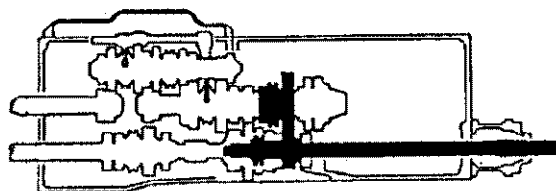
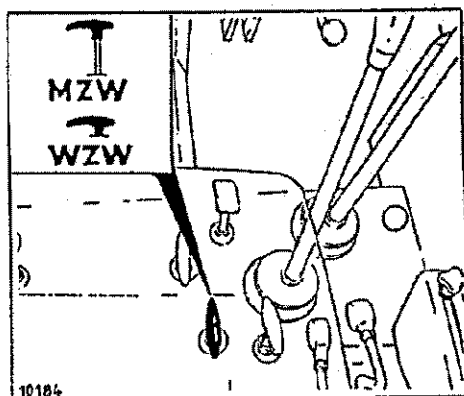


Ref	Onderdeelnummer	Kwt	Beschrijving
1	190003933451	1	BORGVEER, , 60X2
2	1395220165	1	SLUITRING,
3	190003935375	1	SLUITRING, , SP110
4	190003311136	1	LAGER, KOGEL,
5	133700270300	1	AS, , 23/27T
6	190003070001	1	DICHTINGSRING,
7	135700220001	1	LAGER, NAALD,
10	190003933200	1	RING, SNAP,
11	1292 270016	1	SCHIJF,
12	190003935359	1	VEERRING,
13	190003311518	1	LAGER, KOGEL,
14	133700270323	1	SCHIJF,
15	135700270048	1	TANDWIEL, , 45T
16	1180A280030	2	LAGER, NAALD,
17	135700270058	1	AFSTANDSSTUK VOOR BUIZEN,
18	1397290158	1	SLUITRING,
19	1395220158	1	LAGER, NAALD, , K60x65x30
20	133700270349	1	TANDWIEL, , 49T
21	135700270054	1	AANDRIJFKLAUW,
22	135700270056	1	SLEEVE, TRANSMISSION,
23	135700270055		COUPLING, SPLINED,
24	190003933300	1	RING, SNAP, , 40x1,75
30	133700270321	1	AFTAKAS, , 21 T, Siehe nächste Seite(n)/See next page(s)/Voir page(s) suivante(s)/Se næste side(r)/Vedere pagin(a/e) segent(e/i)
31	1409020024	1	NEEDLE CAGE,



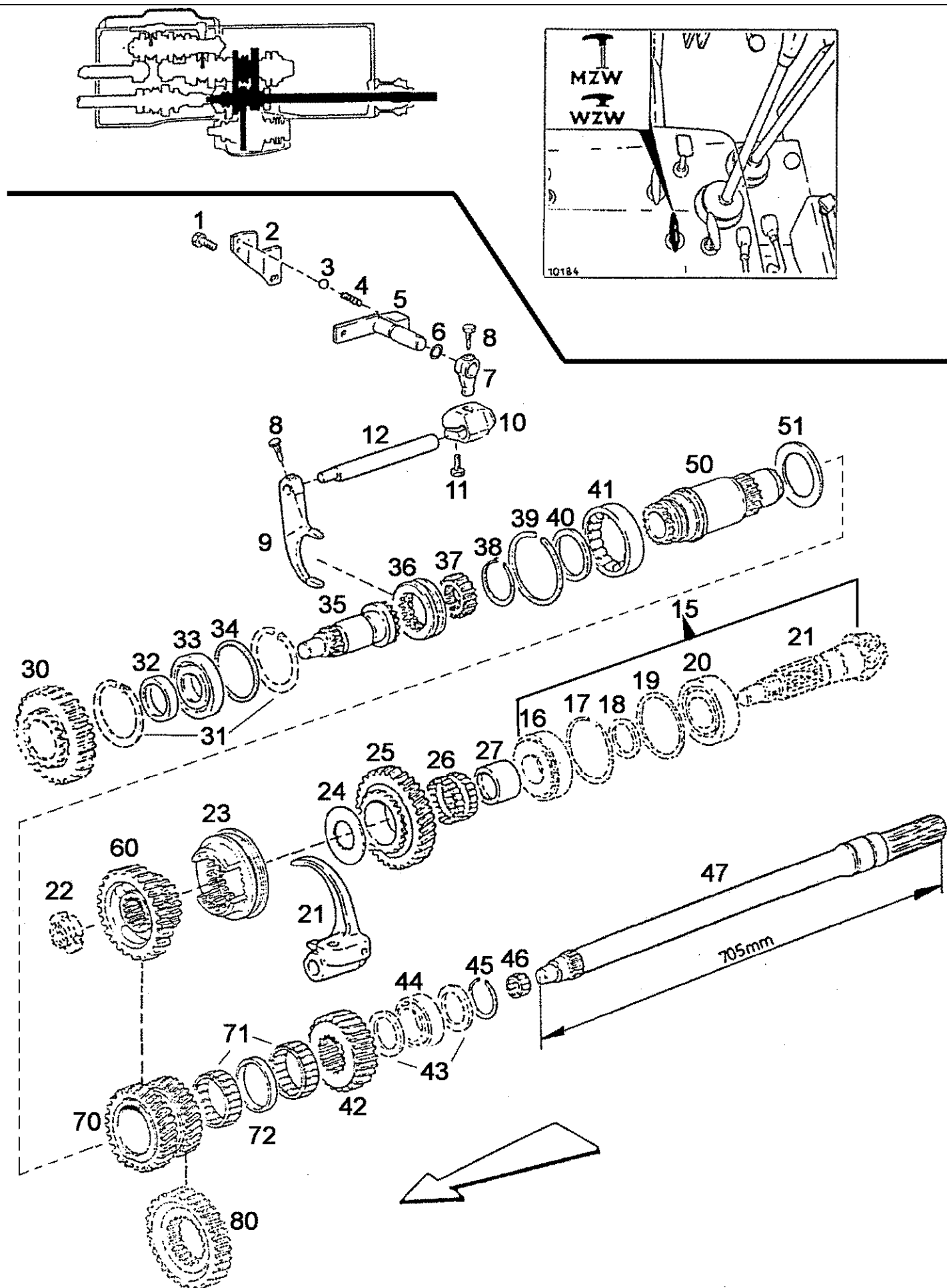


Ref	Onderdeelnummer	Kwt	Beschrijving
40	133700270321	1	AFTAKAS, , 21 T, Siehe Seite(n) vorne/See page(s) before/Voir page(s) avant(es)/Se side(r) forrest/Vedere pagin(a/e) precedent(e/i)
41	1409020024	1	NEEDLE CAGE,
42	190003933200	1	RING, SNAP, , 30x1,5
43	133700270088	1	STEEKVORK, , Siehe Zapfwellenbetätigung/See P.T.O. control/Voir controle de Prise de Force/Se kraftudtagbetjening/Vedere azionamento della presa di forza
44	1292270016	1	SCHIJF,
45	1292220178	1	BEHUIZING, SYNCHRONISATIE,
46	133700270087	1	SLEEVE, TRANSMISSION,
47	1188220061	2	NEEDLE CAGE,
48	133700270092	1	AFSTANDSRING,
49	133700270080	1	TANDWIEL, , 28 T
50	1188220063	1	WASHER, THRUST,
51	133700270085	1	JACKSHAFT,
52	190003934400	2	BORGVEER, , 80x2,5
53	190003311421	1	LAGER, KOGEL,
60	133700270213	1	PIN, PIVOT,
61	133700270079	2	WASHER, THRUST,
62	133700270089	2	NEEDLE CAGE,
63	133700270084	1	LAGERBUS,
64	133700270078	1	TANDWIEL BIJ WIEL, , 28/21T
70	133700270096	1	SLEEVE, TRANSMISSION,
71	190003909634	1	SPANSTIFT, , 6x50
72	133700270482	1	AFTAKAS, , L=656mm
72	133700272001	1	AFTAKAS, , L=705mm, Mit Wegzapfwelle/With ground speed P.T.O. shaft/Avec prise de force routiere/Med hjulafhængigt kraftudtag/Con presa di forza in movimento
73	190003933304	2	BORGVEER, , 40x2,5
74	1188220063	2	WASHER, THRUST,
75	190003311124	1	LAGER, KOGEL,
76	190003935362	1	VEERRING, , SP80
77	190003074426	1	DICHTINGSSTUK, , 40x62x8
78	133700270473	1	ZENDER,
79	190003902708	1	SCHROEF, , M6x10
80	190003962035	1	SCHROEF, , M18x1,5
81	190003098020	1	DICHTINGSRING, , A18x22-CU
82	135700710025	1	SENSOR, , l=24mm, ----> 04032
82	155700710025	1	SENSOR, , l=24mm, 04033 ---->
83	133700272208	1	BEARING COVER,
84	190003802547	4	SCHROEF, , M10x50-8.8
85	1288270096	1	COVER, PROTECTIVE,



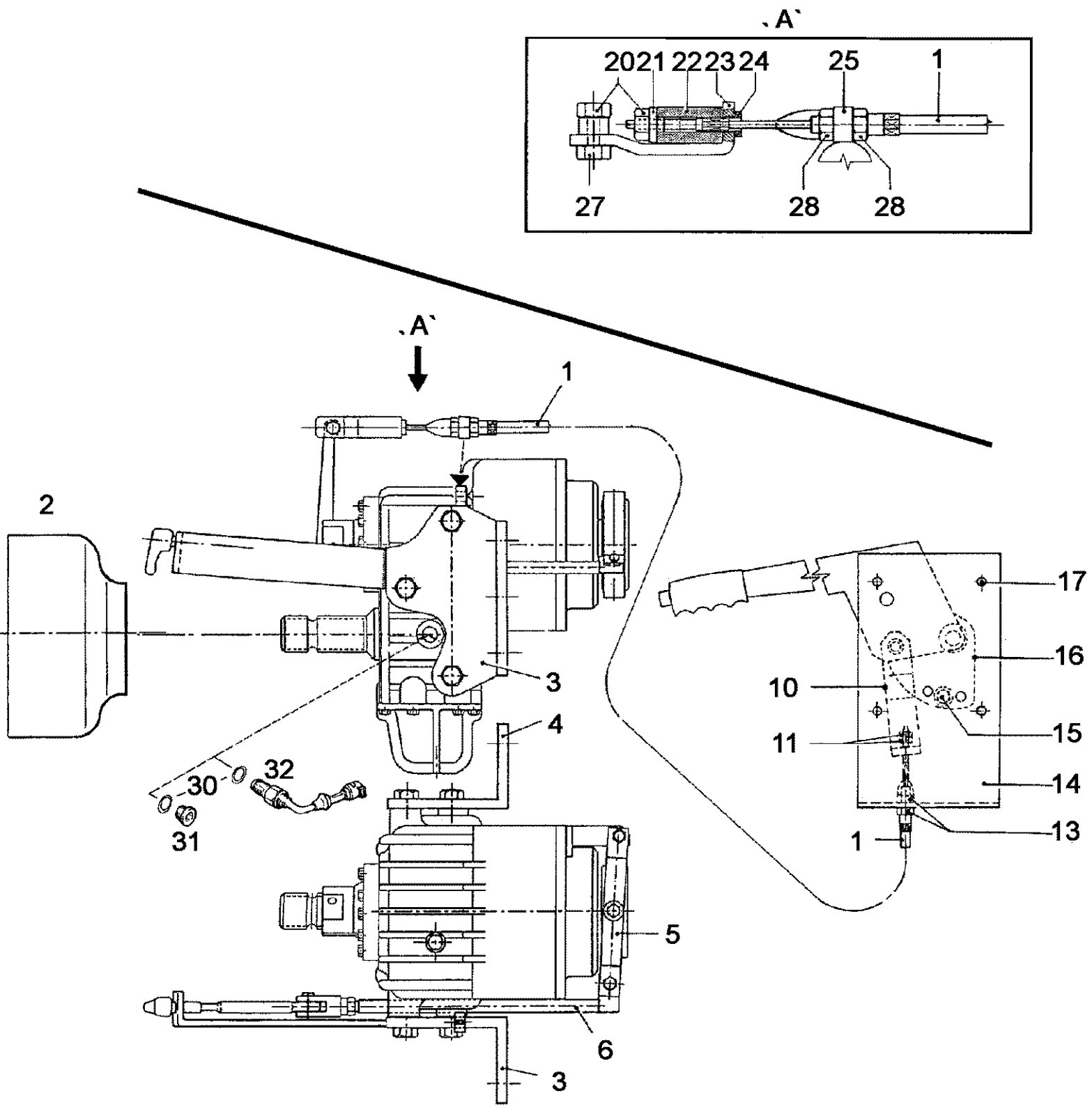
Ref	Onderdeelnummer	Kwt	Beschrijving
1	190003802535	1	SCHROEF, , M10x35-8.8
2	133700272055	1	KONZOOI,
3	190003330183	1	KOGEL, , 10mm
4	11800240023	1	VEER,
5	133700270165	1	HEFBOOM,
6	1188270029	1	O-RING,
7	1188270053	1	KOPPELINGSKLAUW, BEWEGEND,
8	12700240064	2	SCHROEF,
9	133700270178	1	STEEKVORK,
10	133700270249	1	AANDRIJFKLAUW,
11	43127	2	BOUT, Hex, M8 x 25, 8.8,
12	133700270250	1	AS,
15		1	, ZAHNRADSATZ/GEAR, SEAT/JEU DE PIGNONS/TANDHJUL SÆT/RUOTA DENTATA SERIE - Siehe Seite(n) vorne/See page(s) before/Voir page(s) avant(es)/Se side(r) forrest/Vedere pagin(a/e) precedent(e/i)
16	133700220146	1	LAGER, ROL,
17	190003934425	1	RING, SNAP, , 85x3
18	133700220180	1	SLUITRING, , 3,75mm
18	133700220181	1	SLUITRING, , 3,90mm
18	133700220182	1	SLUITRING, , 4,10mm
18	133700220185	1	SLUITRING, , 4,15mm
18	133700220186	1	SLUITRING, , 4,20mm
18	133700220187	1	SLUITRING, , 4,25mm
18	133700220183	1	SLUITRING, , 4,30mm
18	133700220184	1	SLUITRING, , 4,40mm
19	133700220024	1	SLUITRING, , 2,8mm
19	133700220025	1	SLUITRING, , 3,0mm
19	133700220026	1	SLUITRING, , 3,2mm
19	133700220147	1	SLUITRING, , 3,3mm
19	133700220027	1	SLUITRING, , 3,4mm
19	133700220142	1	SLUITRING, , 3,5mm
19	133700220143	1	SLUITRING, , 3,6mm
19	133700220144	1	SLUITRING, , 3,8mm
20	190003326627	1	LAGER, KOGEL,
21	133700320158	1	KONISCHE KOPPELINGEN, , 8/41 T, Siehe Seite(n) vorne/See page(s) before/Voir page(s) avant(es)/Se side(r) forrest/Vedere pagin(a/e) precedent(e/i)
22	1292220201	1	NUT, SLOTTED,
23	133700290106	1	SLEEVE, TRANSMISSION,
24	133700220132	1	SCHIJF,
25	133700220136	1	TANDWIEL, , 34T
26	133700270157	1	LAGER, NAALD, , K48/60/35

Ref	Onderdeelnummer	Kwt	Beschrijving
27	133700220135	1	LAGERBUS,
30	133700270080	1	TANDWIEL, , 28T, Siehe Seite(n) vorne/See page(s) before/Voir page(s) avant(es)/Se side(r) forrest/Vedere pagin(a/e) precedent(e/i)
31	190003934400	2	BORGVEER,
32	133700270158	1	AFSTANDSRING,
33	133700272090	1	LAGER, KOGEL,
34	1480290073	1	SLUITRING,
35	133700270160	1	JACKSHAFT,
36	133700270159	1	SLEEVE, TRANSMISSION,
37	133700270161	1	TANDWIEL BIJ WIEL,
38	190003933430	1	SLUITRING, , 55x3
39	190003935364	1	VEERRING, , SP90
40	133700270172	1	SCHIJF,
41	190003322333	1	LAGER, KOGEL,
42	133700272130	1	TANDWIEL, , 26T
43	133700270171	2	WASHER, THRUST,
44	133700290043	1	LAGER, NAALD,
45	190003933351	1	RING, SNAP,
46	1188220066	1	LAGER, NAALD, , K20x28x20
47	133700272001	1	AFTAKAS, , Siehe Seite(n) vorne/See page(s) before/Voir page(s) avant(es)/Se side(r) forrest/Vedere pagin(a/e) precedent(e/i)
50	133700220134	1	TANDWIEL BIJ WIEL,
60	133700270162	1	AS,



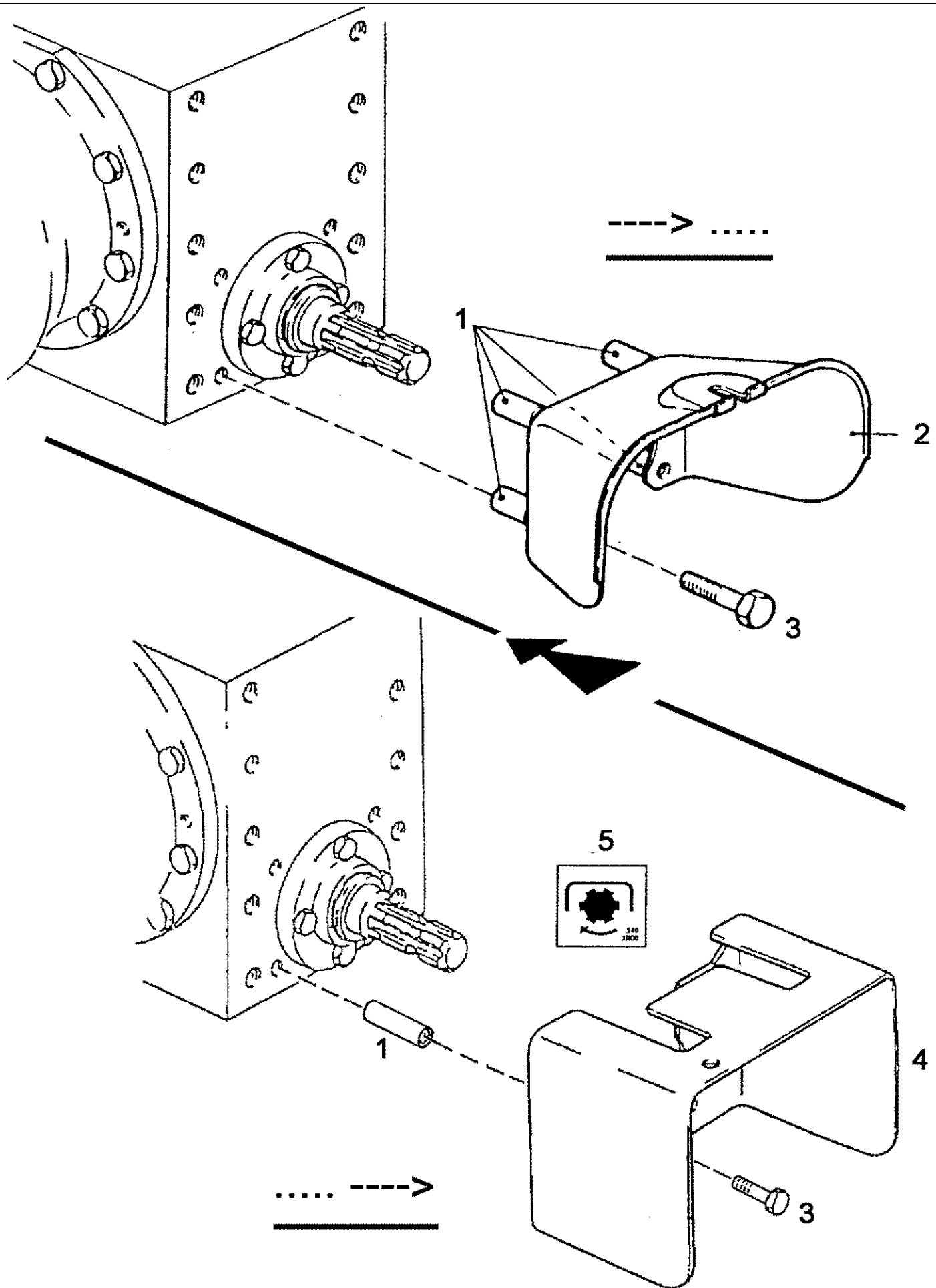
Ref	Onderdeelnummer	Kwt	Beschrijving
1	190003802535	1	SCHROEF, , M10x35-8.8
2	133700272055	1	KONZOOOL,
3	190003330183	1	KOGEL, , 10mm
4	11800240023	1	VEER,
5	133700270165	1	HEFBOOM,
6	1188270029	1	O-RING,
7	1188270053	1	KOPPELINGSKLAUW, BEWEGEND,
8	12700240064	2	SCHROEF,
9	133700270178	1	STEEKVORK,
10	133700270249	1	AANDRIJFKLAUW,
11	43127	2	BOUT, Hex, M8 x 25, 8.8,
12	133700270250	1	AS,
15		1	, ZAHNRADSATZ/GEAR, SEAT/JEU DE PIGNONS/TANDHJUL SÆT/RUOTA DENTATA SERIE - Siehe Seite(n) vorne/See page(s) before/Voir page(s) avant(es)/Se side(r) forrest/Vedere pagin(a/e) precedent(e/i)
16	133700220146	1	LAGER, ROL,
17	190003934425	1	RING, SNAP, , 85x3
18	133700220180	1	SLUITRING, , 3,75mm
18	133700220181	1	SLUITRING, , 3,90mm
18	133700220182	1	SLUITRING, , 4,10mm
18	133700220185	1	SLUITRING, , 4,15mm
18	133700220186	1	SLUITRING, , 4,20mm
18	133700220187	1	SLUITRING, , 4,25mm
18	133700220183	1	SLUITRING, , 4,30mm
18	133700220184	1	SLUITRING, , 4,40mm
19	133700220024	1	SLUITRING, , 2,8mm
19	133700220025	1	SLUITRING, , 3,0mm
19	133700220026	1	SLUITRING, , 3,2mm
19	133700220147	1	SLUITRING, , 3,3mm
19	133700220027	1	SLUITRING, , 3,4mm
19	133700220142	1	SLUITRING, , 3,5mm
19	133700220143	1	SLUITRING, , 3,6mm
19	133700220144	1	SLUITRING, , 3,8mm
20	190003326627	1	LAGER, KOGEL,
21	133700320158	1	KONISCHE KOPPELINGEN, , 8/41 T, Siehe Seite(n) vorne/See page(s) before/Voir page(s) avant(es)/Se side(r) forrest/Vedere pagin(a/e) precedent(e/i)
22	1292220201	1	NUT, SLOTTED,
23	133700290106	1	SLEEVE, TRANSMISSION,
24	133700220132	1	SCHIJF,
25	133700220136	1	TANDWIEL, , 34T, Siehe Seite(n) vorne/See page(s) before/Voir page(s) avant(es)/Se side(r) forrest/Vedere pagin(a/e) precedent(e/i)

Ref	Onderdeelnummer	Kwt	Beschrijving
26	133700270157	1	LAGER, NAALD, , K48/60/35
27	133700220135	1	LAGERBUS,
30	133700270080	1	TANDWIEL, , 28T, Siehe Seite(n) vorne/See page(s) before/Voir page(s) avant(es)/Se side(r) forrest/Vedere pagin(a/e) precedent(e/i)
31	190003934400	2	BORGVEER,
32	133700270158	1	AFSTANDSRING,
33	133700272090	1	LAGER, KOGEL,
34	1480290073	1	SLUITRING,
35	133700270160	1	JACKSHAFT,
36	133700270159	1	SLEEVE, TRANSMISSION,
37	133700270161	1	TANDWIEL BIJ WIEL,
38	190003933430	1	SLUITRING, , 55x3
39	190003935364	1	VEERRING, , SP90
40	133700270172	1	SCHIJF,
41	190003322333	1	LAGER, KOGEL,
42	133700272130	1	TANDWIEL, , 26T
43	133700270171	2	WASHER, THRUST,
44	133700290043	1	LAGER, NAALD,
45	190003933351	1	RING, SNAP,
46	1188220066	1	LAGER, NAALD, , K20x28x20
47	133700272001	1	AFTAKAS, , Siehe Seite(n) vorne/See page(s) before/Voir page(s) avant(es)/Se side(r) forrest/Vedere pagin(a/e) precedent(e/i)
50	133700290115	1	AS,
51	1395220165	1	SLUITRING,
60	133700290105	1	TANDWIEL BIJ WIEL, , 33T, Siehe Seite(n) vorne/See page(s) before/Voir page(s) avant(es)/Se side(r) forrest/Vedere pagin(a/e) precedent(e/i)
70	153700290009	1	TANDWIEL BIJ WIEL, , 28/34T
71	1395220158	2	LAGER, NAALD,
72	133700290114	1	AFSTANDSRING,
80	155700290041	1	TANDWIEL, , 53T, Siehe Seite(n) vorne/See page(s) before/Voir page(s) avant(es)/Se side(r) forrest/Vedere pagin(a/e) precedent(e/i)
80	155700290042	1	TANDWIEL, , 56T, Siehe Seite(n) vorne/See page(s) before/Voir page(s) avant(es)/Se side(r) forrest/Vedere pagin(a/e) precedent(e/i)

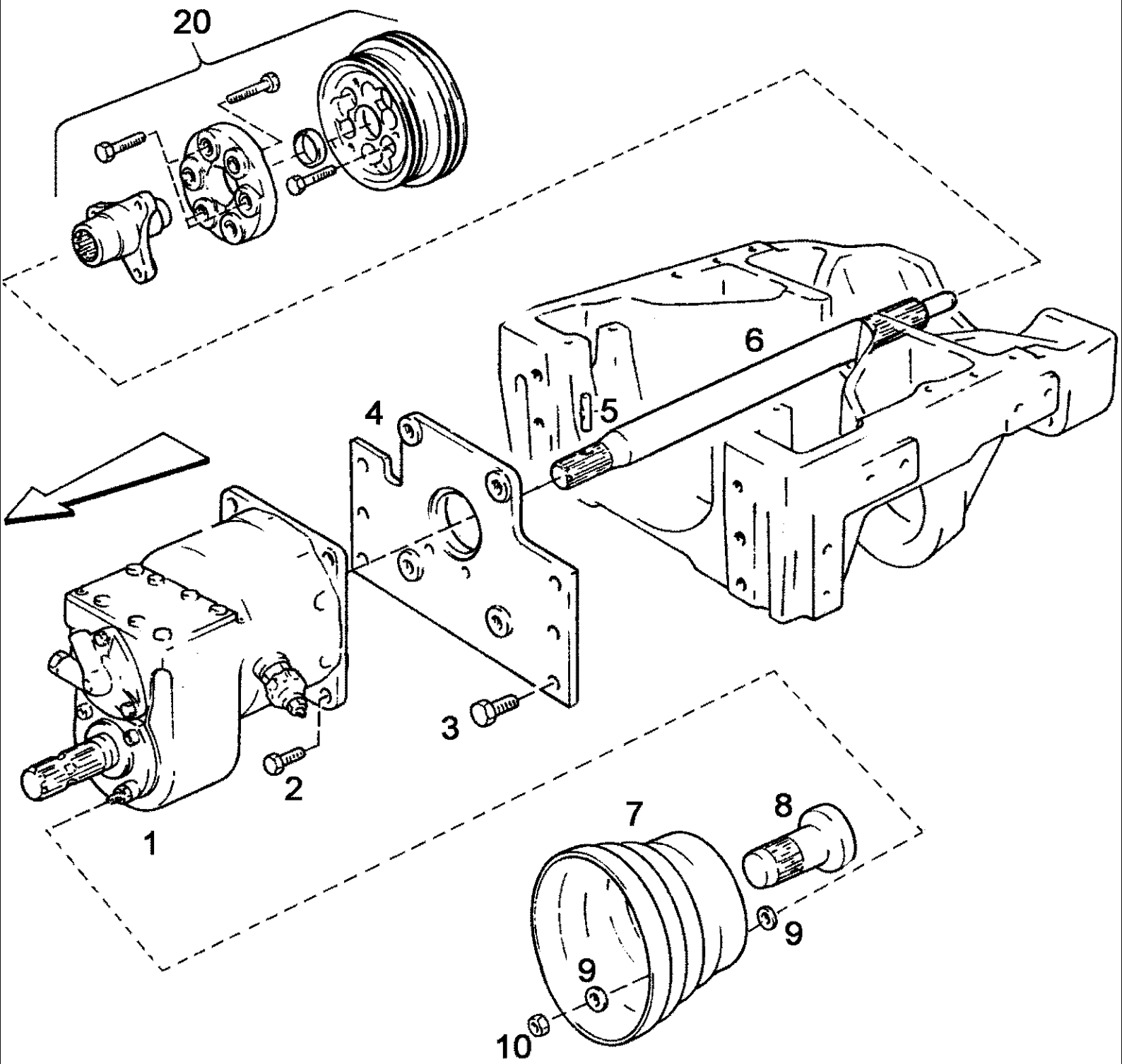




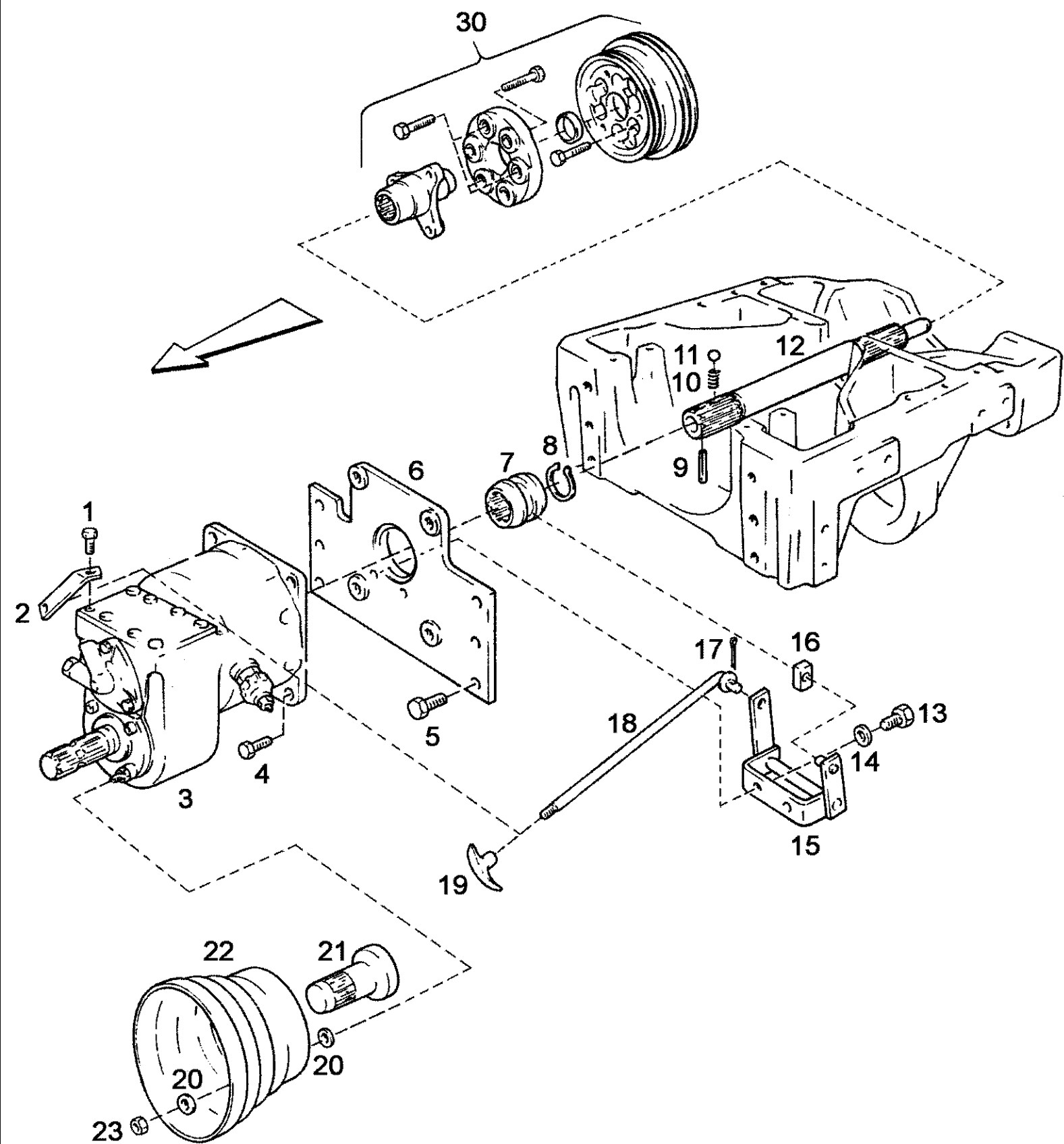
Ref	Onderdeelnummer	Kwt	Beschrijving
	1-35-127-052	1	AFTAKAS, , Besteht aus/Consists of/Compose de/Bestående af/È composto da de 1 - 28
1	1-35-795-191	1	BOWDENBEDIENING,
2	1-35-727-744	1	AFSCHERMING,
3	1-35-727-749	1	FLENS, , Links/Left/Gauche/Venstre/Sinistro
4	1-35-727-748	1	FLENS, , Rechts/Right/Droite/Højre/Destra
5	1-35-727-135	1	RING ASSY.,
6	1-35-727-752	1	THREADED ROD,
10	1-35-727-755	1	RIEM,
	190003930271	2	SCHIJF, , A10,5-140HV-A3C
11	15896221	2	MOER, M6, CI 10, , M6-8-A2C, DIN934
	190003936101	2	SLUITRING, , 6,4-140HV-A3C
13	100016	2	MOER, M10, CI 8,
	190003930251	2	SCHIJF, , A6,4-140HV-A3C
14	1-35-727-754	1	HOUDER,
15	NSS	1	NIET ALLEEN VERKRIJGBAAR,
16	1-35-727-756	1	DETENT,
	190003930271	1	SCHIJF, , A10,5-140HV-A3C
17	NSS	2	NIET ALLEEN VERKRIJGBAAR,
20	15896221	2	MOER, M6, CI 10, , M6-8-A2C, DIN934
	190003930251	2	SCHIJF, , A6,4-140HV-A3C
21	1-35-795-351	1	SCHIJF,
22	1-35-795-350	1	ELEMENT, SPRING,
23	1-35-795-353	1	KNIESTUK,
24	1-35-795-349	1	GELEIDER,
25	1-35-727-753	1	SNIJRING,
27	190003802341	1	SCHROEF, , M6x30-8.8
28	100016	2	MOER, M10, CI 8,
30	190003098020	1	DICHTINGSRING, , A18x22-CU
31	190003962035	1	SCHROEF, , M18x1,5-ST-A3C
32	135700710024	1	SENSOR, , l=35mm, ----> 04032 - Siehe Kapitel 04/See chapter 04/Voir chapitre 04/Se kapitel 04/Vedere capitolo 04
32	1-40-271-040	1	SENSOR, , l=35mm, 04033 ----> - Siehe Kapitel 04/See chapter 04/Voir chapitre 04/Se kapitel 04/Vedere capitolo 04



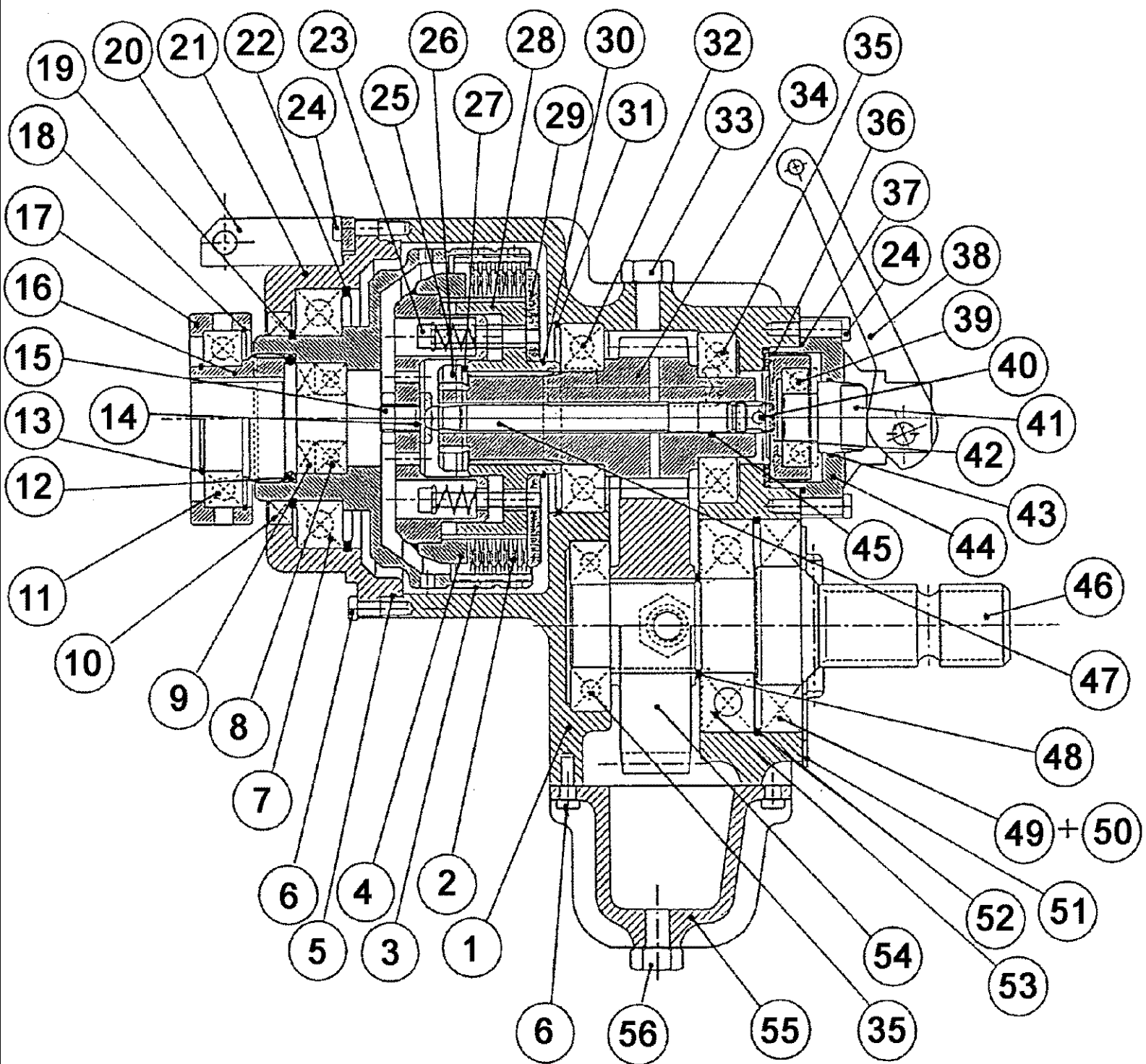
Ref	Onderdeelnummer	Kwt	Beschrijving
1	133700940002	4	AFSTANDSSTUK VOOR BUIZEN,
2	1188940001	1	AFSCHERMING, , ----> .....
3	190003800653	4	SCHROEF, , M12x70-8.8-A3C
4	133700940004	1	COVER, PROTECTIVE, , ..... ---->
5	1-34-577-303	1	DECAL,



Ref	Onderdeelnummer	Kwt	Beschrijving
1	1-35-127-035	1	TRANSMISSIE, , Siehe nächste Seite(n)/See next page(s)/Voir page(s) suivante(s)/Se næste side(r)/Vedere pagin(a/e) sequent(e/i)
2	190003802724	4	SCHROEF, , M14x30-8.8-A3C
3	190003802822	6	SCHROEF, , M16x35-8.8-A3C
4	153700270022	1	PLAAT, GROOT,
5	190003904253	1	PEN, , 6x40-ST50
6	1-35-127-037	1	NO DESCRIPTION,
7	133700270146	1	AFSCHERMING,
8	1288270096	1	COVER, PROTECTIVE,
9	190003930261	4	SLUITRING, , A8,4-14OHV-A3C
10	43362	2	MOER, M8, CI 10,
20		1	, SATZ/SET OF/JEU/SÆT/SERIE - Siehe Kapitel 02/See chapter 02/Voir chapitre 02/Se kapitel 02/Vedere capitolo 02 : Keilriemenscheibe/V-Belt Pulley/Pouilie courr. trap.



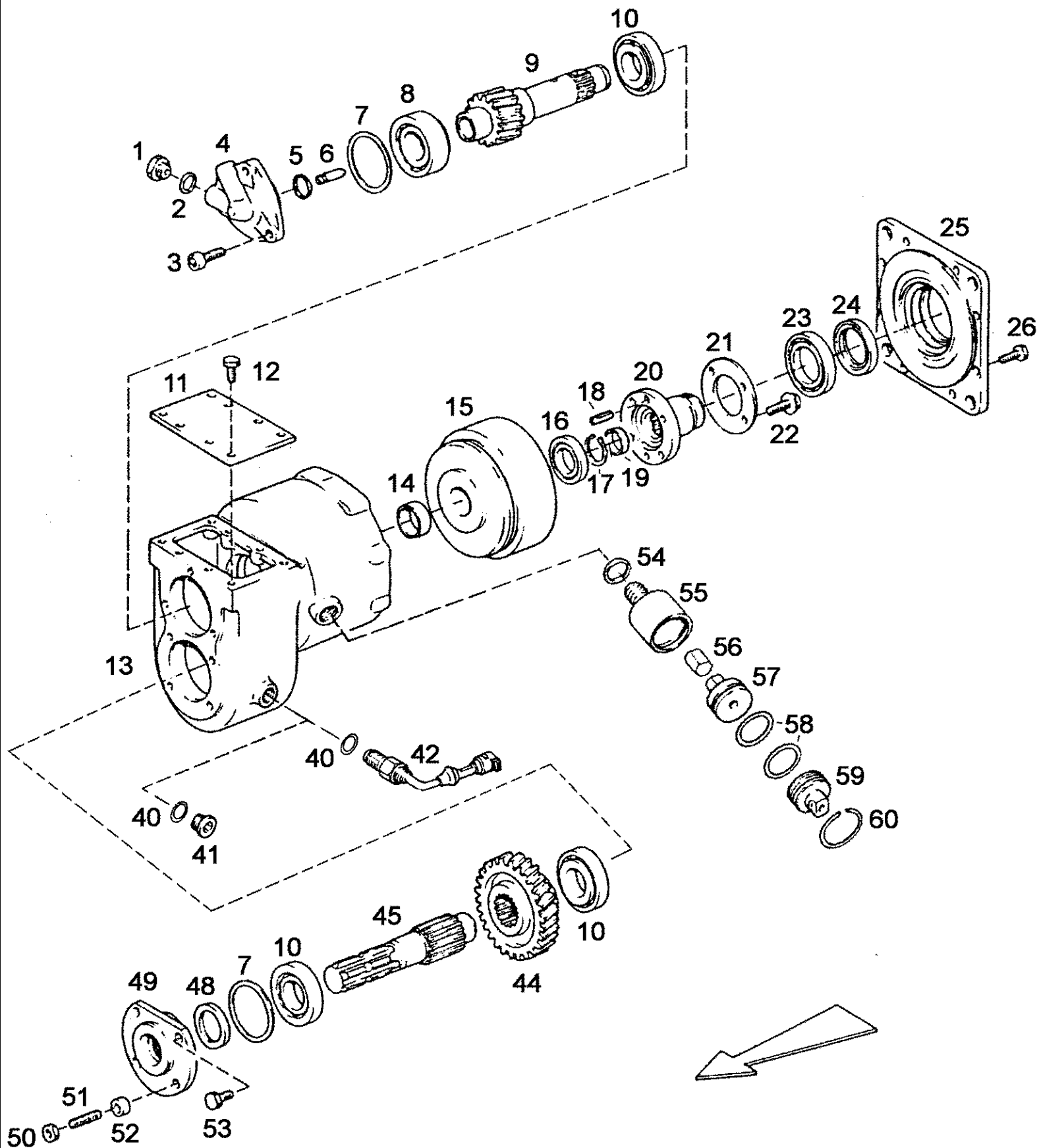
Ref	Onderdeelnummer	Kwt	Beschrijving
1	190003802444	1	SCHROEF, , M8x25-10.9-A2C
2	153700270024	1	VERWISSELBAAR RISTERVOORS,
3	1-35-127-020	1	TRANSMISSIE, , Siehe nächste Seite(n)/See next page(s)/Voir page(s) suivante(s)/Se næste side(r)/Vedere pagin(a/e) seguent(e/i)
4	190003802724	4	SCHROEF, , M14x30-8.8-A3C
5	190003802822	6	SCHROEF, , M16x35-8.8-A3C
6	153700270022	1	PLAAT, GROOT,
7	137700270060	1	SLEEVE,
8	190003933321	1	RING, SNAP, , 42x1,75
9	190003909696	1	SPANSTIFT, , 6x36
10	1206240018	1	SPRING, COMPRESSION,
11	190003330148	1	KOGEL, , 9,0mm-V
12	153700270019	2	AS,
13	11106231	2	BOUT, Hex, M10 x 25, 10.9, Full Thd, , M10x25-8.8-A3C
14	190003930271	2	SCHIJF, , A10,5-140HV-A3C
15	153700270018	1	GUIDE, LEVERS,
16	1288270047	1	LEISLOF,
17	190003920231	1	SPLITPEN, , 3,2x22-ST-A4C
18	153700270023	1	STANG,
19	1-99-970-005	1	HENDEL, , Schwarz/Black/Noir/Sort/Nero
20	190003930261	4	SLUITRING, , A8,4-140HV-A3C
21	1288270096	1	COVER, PROTECTIVE,
22	133700270146	2	AFSCHERMING,
23	43362	2	MOER, M8, CI 10,
30		1	, SATZ/SET OF/JEU/SÆT/SERIE - Siehe Kapitel 02/See chapter 02/Voir chapitre 02/Se kapitel 02/Vedere capitolo 02 : Keilriemenscheibe/V-Belt Pulley/Poullie courr. trap.





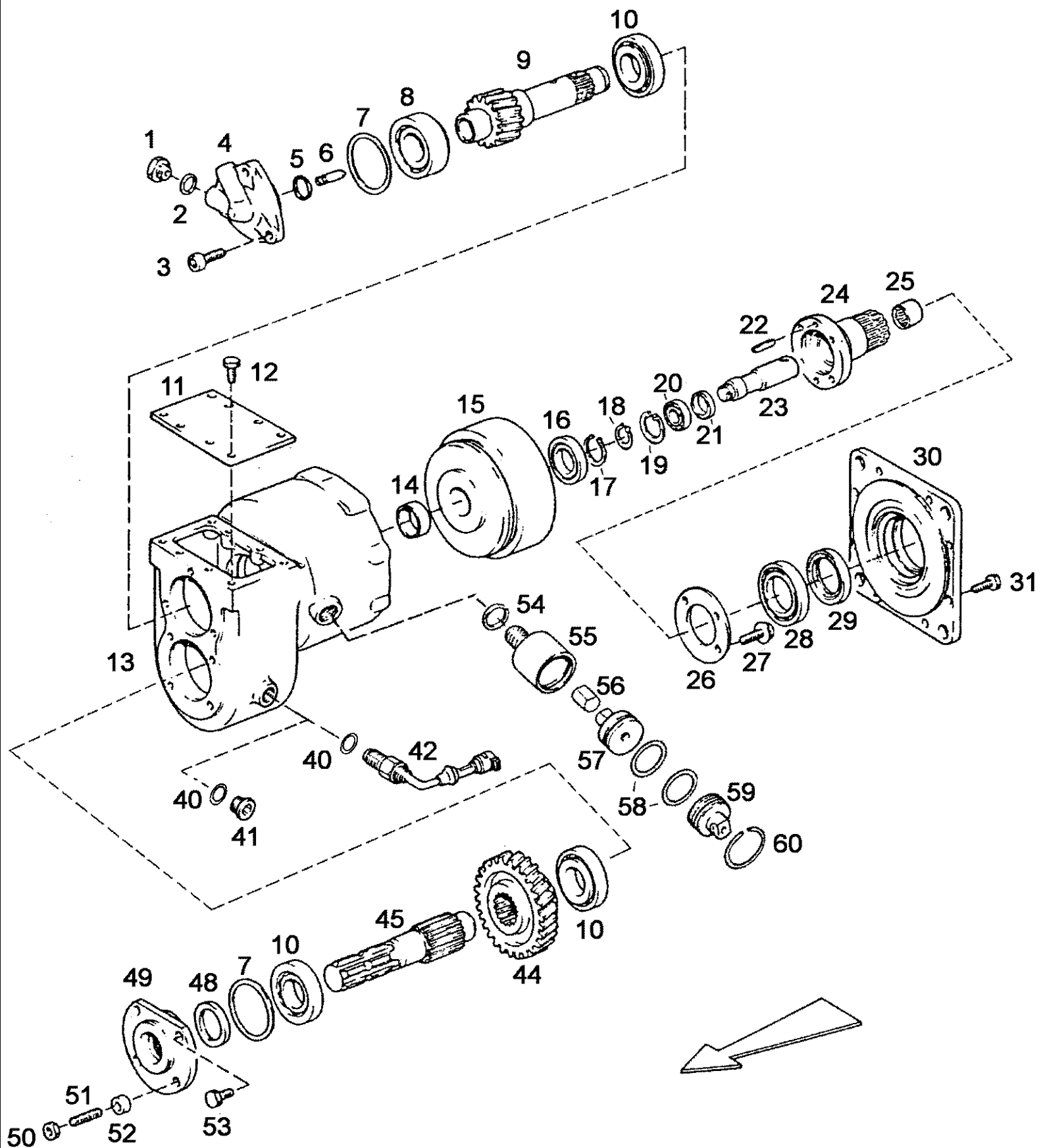
Ref	Onderdeelnummer	Kwt	Beschrijving
1	1-35-727-114	1	HUIS,
2	1-35-727-056	7	RIB,
	1-35-727-057	6	RIB,
3	1-35-727-123	1	HOUSING, CLUTCH,
4	1-35-727-122	1	DRUKPLAAT,
5	1-35-727-105	1	O-RING,
6	86531615	16	SCHROEF, Hex Soc Hd, M6 x 20, 8.8, , M6x20-8.8
	190003931082	16	SLUITRING, , A6
7	190003310142	1	LAGER, KOGEL,
8	1-31-727-004	1	STEL RINGEN +0.8,
9	1-35-727-102	1	SEAL, SHAFT,
10	1-35-727-103	1	SEAL, SHAFT,
11	190003310410	1	LAGER, KOGEL,
12	1-35-727-108	1	O-RING,
13	1-35-727-208	1	BORGPLAAT,
14	1-35-727-109	1	BOUT,
15	190003870239	1	MOER, , BM12-04-A3C
16	1-35-727-125	1	SLEEVE,
17	1-35-727-126	1	RACE, RING,
18	190003934375	1	BORGPLAAT, , 75x2,5
19	190003933500	1	RING, SNAP, , 70x2,5
20	1-35-727-131	1	SATELIETDRAGER,
21	1-35-727-116	1	COVER,
22	190003934510	1	SLUITRING, , 110x4
23	190003862346	12	SCHROEF, , M6x45-8.8
	190003932308	12	SLUITRING, , 6,4-140HV-A3C
24	190003862332	14	SCHROEF,
	190003931082	14	SLUITRING, , A6
25	1-35-727-110	1	SPRING, COMPRESSION,
26	1-35-727-218	1	NUT, SLOTTED,
27	1-35-727-219	1	SNAP RING,
28	1-35-727-121	1	SATELIETDRAGER,
29	1-35-727-120	1	PLAAT, GROOT,
30	1-35-727-204	1	SLUITRING,
31	190003934400	1	BORGVEER, , 80x2,5
32	190003311024	1	LAGER, KOGEL,
33	1-35-727-101	1	ONTLUCHTER,
34	1-35-727-117	1	TANDWIEL, , 15T
35	190003311021	2	LAGER, KOGEL,
36	1-35-727-132	1	LINING, BRAKE,
37	1-35-727-107	1	O-RING,

Ref	Onderdeelnummer	Kwt	Beschrijving
38	1-35-727-130	1	LEVER, CONTROL,
39	1-31-727-005	1	STEL RINGEN +0.8,
40	1-35-727-220	2	PEN,
41	1-35-727-129	1	PIN, LARGE,
42	1-35-727-127	1	DRUKPLAAT,
43	1-35-727-106	1	O-RING,
44	1-35-727-128	1	FLENS,
45	1-35-727-111	1	LAGERBUS,
46	1-35-727-124	1	SHAFT, DRIVE,
47	1-35-727-119	1	BOUT,
48	1-35-727-206	1	SLUITRING,
49	1-35-727-104	1	SEAL, SHAFT,
50	190003862316	3	SCHROEF, , M6x16-8.8-A2C
	190003932308	3	SLUITRING, , 6,4-140HV-A3C
51	1-35-727-133	1	FLENS,
52	190003934450	1	RING, SNAP, , 90x3
53	190003311424	1	LAGER, KOGEL,
54	1-35-727-118	1	TANDWIEL, , 29T
55	1-35-727-115	1	PAN, OIL,
56	1-35-727-112	1	BOLT, SPECIAL,
57	1-35-727-113	1	KIJKGLAS, , Ohne Abbildung/Without illustration/Sans illustration



Ref	Onderdeelnummer	Kwt	Beschrijving
A	1-35-127-035	1	TRANSMISSIE, , Besteht aus/Consists of/Compose de/Bestående af/È composto da 1 - 26, 44- 60
1	190003962025	1	PLUG, Hex, M14 x 1.5, , M14x1,5-ST-A3C
2	190003098014	1	DICHTINGSRING, , A14x18-CU-DIN7603
3	190003862527	3	SCHROEF, , M10x25-8.8-A3C
4	137700279092	1	COVER,
5	137700279016	1	RING,
6	137700279093	1	PIN, LARGE,
7	137700279075	1	SCHIJF, , 0,5mm
7	137700279080	1	SCHIJF, , 1,0mm
7	137700279081	1	SCHIJF, , 1,1mm
7	137700279082	1	SCHIJF, , 1,2mm
7	137700279083	1	SCHIJF, , 1,3mm
7	137700279084	1	SCHIJF, , 1,4mm
7	137700279085	1	SCHIJF, , 1,5mm
8	190003326121	1	KEGEL,
9	137700279029	1	SHAFT, DRIVE, , 14T
10	190003326022	3	LAGER, KOGEL,
11	137700270012	1	COVER,
12	16043224	8	BOUT, Hex, M8 x 16, 8.8, Full Thd,
13	137700270078	1	HUIS,
14	137700279015	1	AFSTANDSRING,
15	137700279126	1	KOPPELING, , Siehe nächste Seite(n)/See next page(s)/Voir page(s) suivante(s)/Se næste side(r)/Vedere pagin(a/e) sequent(e/i)
16	190003310518	1	LAGER, KOGEL,
17	190003933200	1	RING, SNAP, , 30x1,5
18	190003909652	1	SPANSTIFT, , 8x20
19	190003961905	1	PLUG, , B30-A6C
20	137700270009	1	FLENS,
21	137700279104	1	SCHIJF,
22	137700279103	4	SCHROEF,
23	190003310527	1	LAGER, KOGEL,
24	190003074429	1	SEAL, SHAFT,
25	137700270008	1	COVER,
26	190003802443	8	SCHROEF, , M8x20-10.9-A2C
40	190003098020	1	DICHTINGSRING, , A18x22-CU
41	190003962035	1	SCHROEF, , M18x1,5-ST-A3C
42	135700710024	1	SENSOR, , l=35mm, ----> 04032 - Siehe Kapitel 04/See chapter 04/Voir chapitre 04/Se kapitel 04/Vedere capitolo 04
42	1-40-271-040	1	SENSOR, , l=35mm, 04033 ----> - Siehe Kapitel 04/See chapter 04/Voir chapitre 04/Se kapitel 04/Vedere capitolo 04
44	137700279089	1	TANDWIEL, , 29T

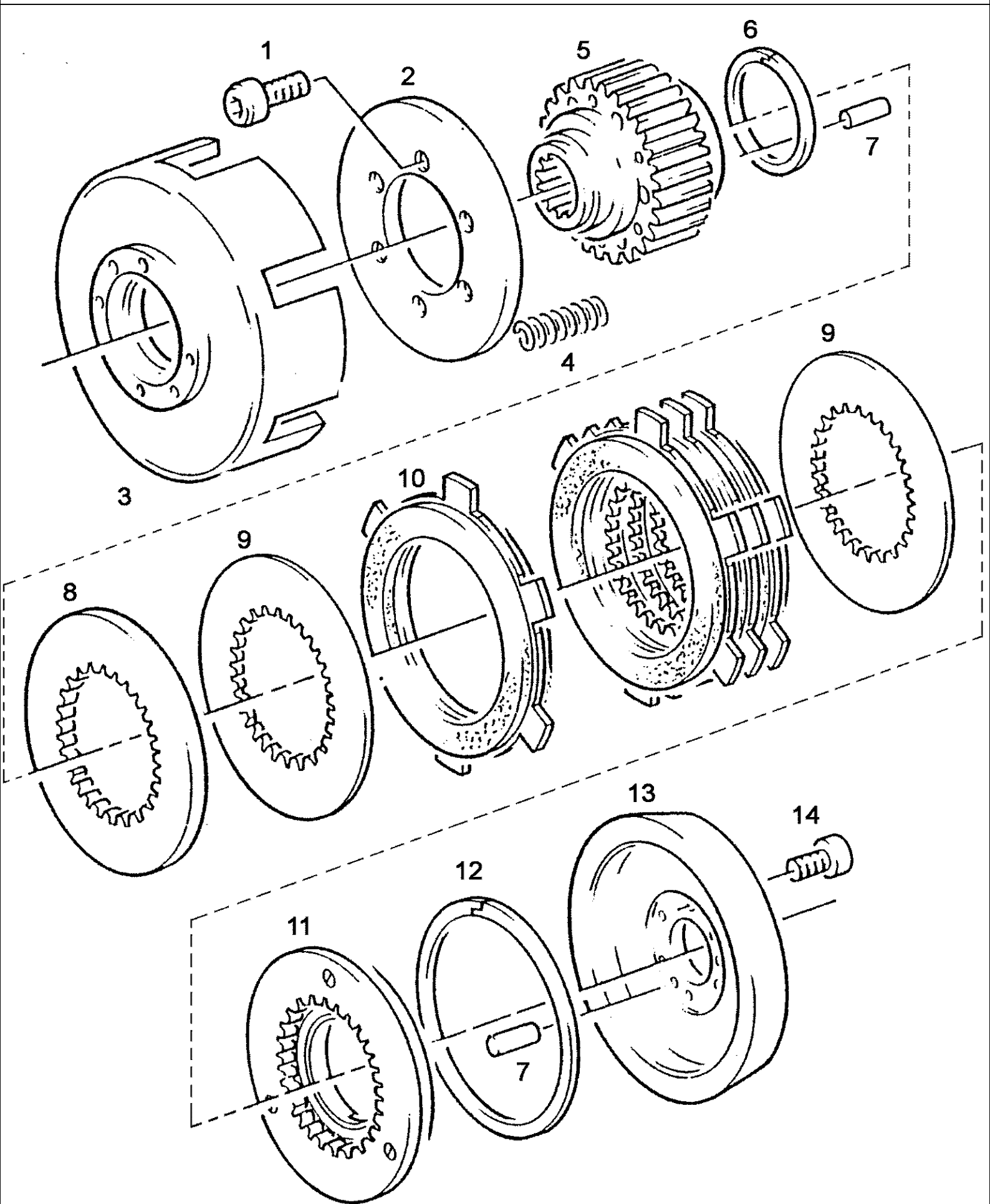
Ref	Onderdeelnummer	Kwt	Beschrijving
45	137700270003	1	AFTAKAS,
48	190003074418	1	SEAL, SHAFT,
49	137700270010	1	BEARING COVER,
50	43362	2	MOER, M8, CI 10,
51	190003813447	2	SCHROEF, , M8x35-8.8-A2C
52	1614010133	1	AFSTANDSRING,
53	190003802415	2	SCHROEF, , M8x18-8.8-A2C
54	190003098069	1	RING, PACKING,
55	137700270056	1	CYLINDER,
56	1377000270029	1	
57	137700270057	1	ZUIGER,
58	1609050039	2	RING, PACKING,
59	137700270058	1	COVER,
60	190003936046	1	VEERRING, , B45



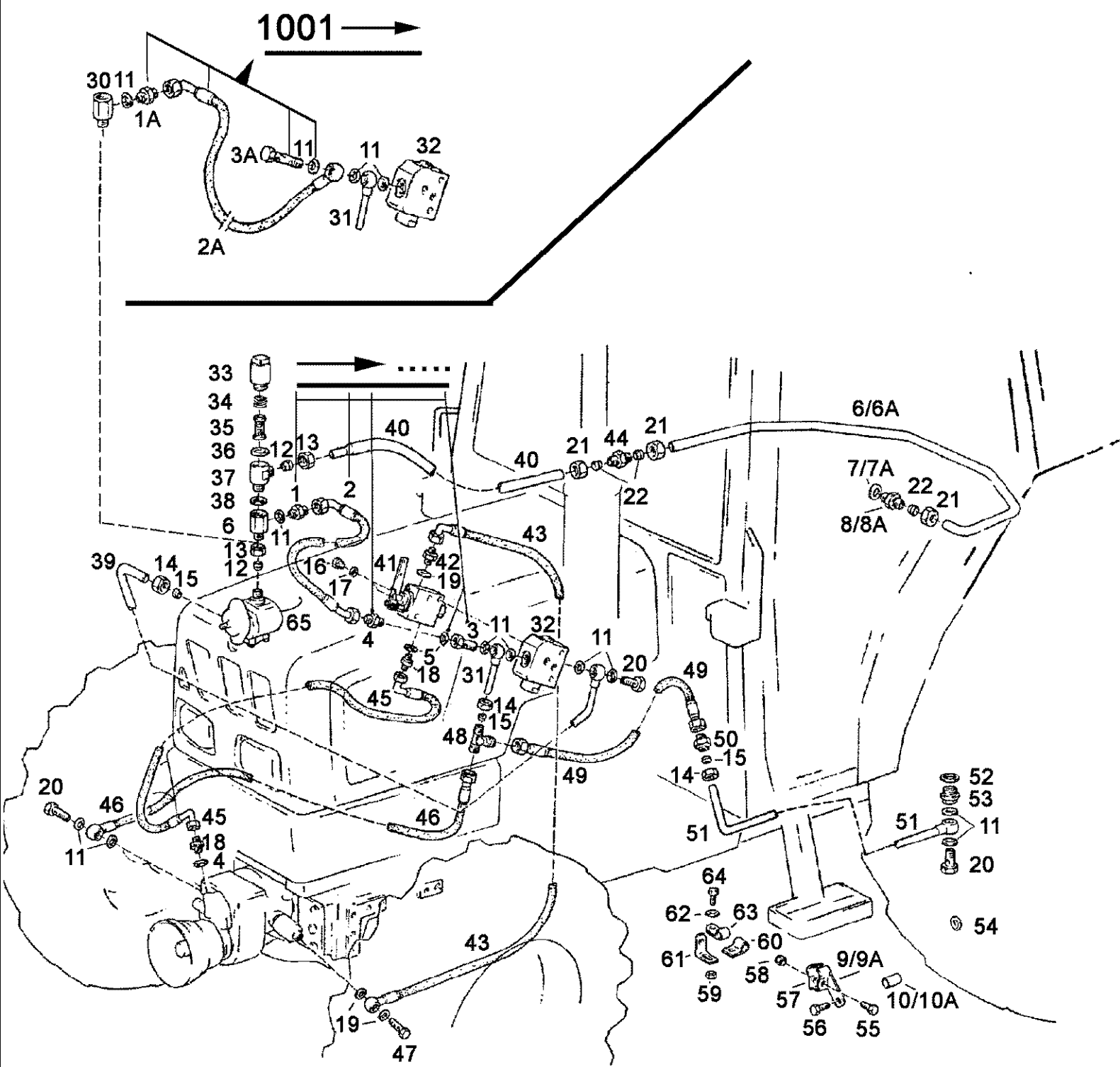
Ref	Onderdeelnummer	Kwt	Beschrijving
A	1-35-127-020	1	TRANSMISSIE, , Besteht aus/Consists of/Compose de/Bestående af/È composto da 1 - 31, 44 - 60
1	190003962025	1	PLUG, Hex, M14 x 1.5, , M14x1,5-ST-A3C
2	190003098014	1	DICHTINGSRING, , A14x18-CU-DIN7603
3	190003862527	3	SCHROEF, , M10x25-8.8-A3C
4	137700279092	1	COVER,
5	137700279016	1	RING,
6	137700279093	1	PIN, LARGE,
7	137700279075	1	SCHIJF, , 0,5mm
7	137700279080	1	SCHIJF, , 1,0mm
7	137700279081	1	SCHIJF, , 1,1mm
7	137700279082	1	SCHIJF, , 1,2mm
7	137700279083	1	SCHIJF, , 1,3mm
7	137700279084	1	SCHIJF, , 1,4mm
7	137700279085	1	SCHIJF, , 1,5mm
8	190003326121	1	KEGEL,
9	137700279029	1	SHAFT, DRIVE, , 14T
10	190003326022	3	LAGER, KOGEL,
11	137700270012	1	COVER,
12	16043224	8	BOUT, Hex, M8 x 16, 8.8, Full Thd,
13	137700270078	1	HUIS,
14	137700279015	1	AFSTANDSRING,
15	137700279126	1	KOPPELING, , Siehe nächste Seite(n)/See next page(s)/Voir page(s) suivante(s)/Se næste side(r)/Vedere pagin(a/e) sequent(e/i)
16	190003310518	1	LAGER, KOGEL,
17	190003933200	1	RING, SNAP, , 30x1,5
18	190003933072	1	RING, SNAP, , 17x1
19	190003934175	1	RING, SNAP, , 35x1,5
20	190003310033	1	LAGER, KOGEL,
21	190003078137	1	SEAL, SHAFT,
22	190003909652	1	SPANSTIFT, , 8x20
23	137700270072	1	AS,
24	137700270071	1	FLENS,
25	137700270073	1	LAGER, NAALD,
26	137700279104	1	SCHIJF,
27	137700279103	1	SCHROEF,
28	190003310527	1	LAGER, KOGEL,
29	190003074429	1	SEAL, SHAFT,
30	137700270008	1	COVER,
31	190003802443	8	SCHROEF, , M8x20-10.9-A2C
40	190003098020	1	DICHTINGSRING, , A18x22-CU
41	190003962035	1	SCHROEF, , M18x1,5-ST-A3C

Ref	Onderdeelnummer	Kwt	Beschrijving
42	135700710024	1	SENSOR, , l=35mm, ----> 04032 - Siehe Kapitel 04/See chapter 04/Voir chapitre 04/Se kapitel 04/Vedere capitolo 04
42	1-40-271-040	1	SENSOR, , l=35mm, 04033 ----> - Siehe Kapitel 04/See chapter 04/Voir chapitre 04/Se kapitel 04/Vedere capitolo 04
44	137700279089	1	TANDWIEL, , 29T
45	137700270003	1	AFTAKAS,
48	190003074418	1	SEAL, SHAFT,
49	137700270010	1	BEARING COVER,
50	43362	2	MOER, M8, CI 10,
51	190003813447	2	SCHROEF, , M8x35-8.8-A2C
52	1614010133	1	AFSTANDSRING,
53	190003802415	2	SCHROEF, , M8x18-8.8-A2C
54	190003098069	1	RING, PACKING,
55	137700270056	1	CYLINDER,
56	1377000270029	1	
57	137700270057	1	ZUIGER,
58	1609050039	2	RING, PACKING,
59	137700270058	1	COVER,
60	190003936046	1	VEERRING, , B45



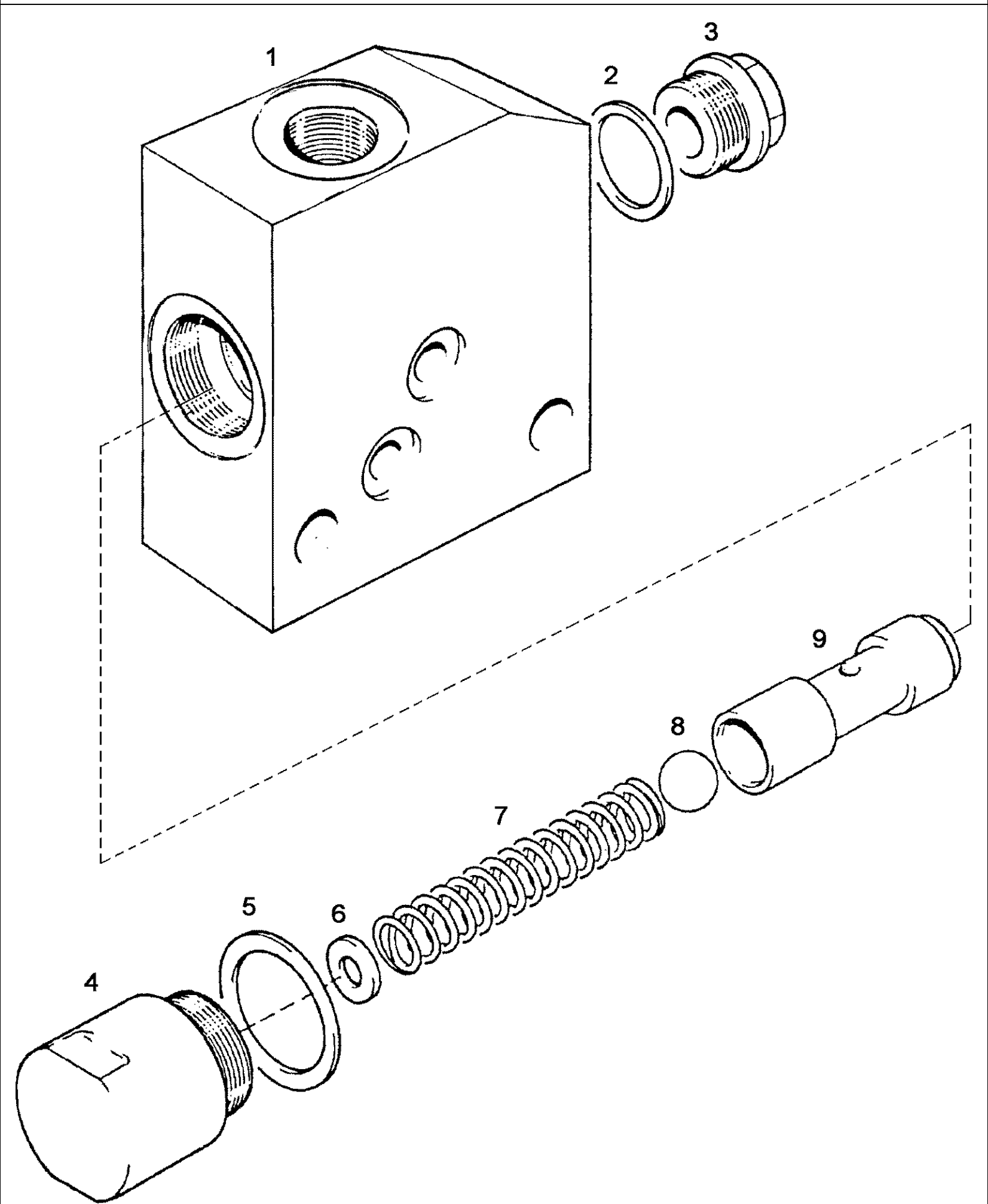


Ref	Onderdeelnummer	Kwt	Beschrijving
A	137700279126	1	KOPPELING, , Besteht aus/Consists of/Compose de/Bestående af/È composto da 1 - 14
1	190003862315	6	SCHROEF, , M6x16-10.9
2	137700279106	1	SLUITRING,
3	137700279105	1	HOUSING, CLUTCH,
4	137700279111	6	SPRING, COMPRESSION,
5	137700279112	1	SATELIETDRAGER,
6	137700279114	1	RING,
7	190003901216	2	PEN, , 6x16-ST
8	137700279107	1	PLATE, DRIVE,
9	137700279108	5	CLUTCH PLATE,
10	137700279109	4	CLUTCH PLATE,
11	137700279113	1	ZUIGER,
12	137700279116	1	RING,
13	137700279125	1	CYLINDER,
14	190003862311	6	SCHROEF, , M6x12-10.9-A2R

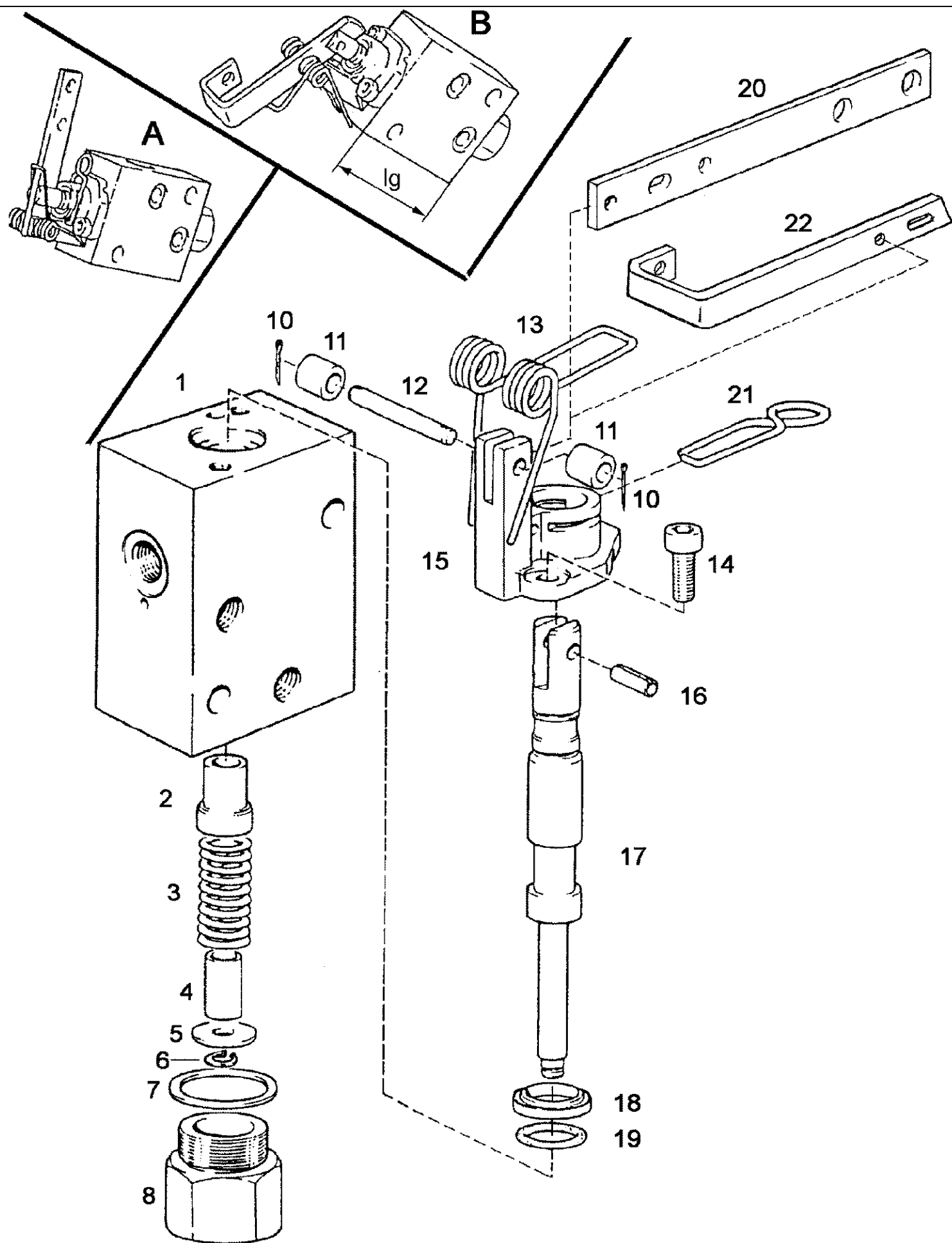


Ref	Onderdeelnummer	Kwt	Beschrijving
1	1390470038	1	SCHROEF, , ----> ....., Nur mit/Only with/Selement avec/Kun med/Solo con 2, 3, 4
1A	190003559494	1	VERBINDING, , L15A-M-ST-A3C, ..... ---->, Nur mit/Only with/Selement avec/Kun med/Solo con 2A, 3
2	1-35-127-004	1	FLEXIBELE BUIS, , ----> ....., Nur mit/Only with/Selement avec/Kun med/Solo con 1, 3, 4, 5
2A	1-35-127-041	1	FLEXIBELE BUIS, , ..... ---->, Nur mit/Only with/Selement avec/Kun med/Solo con 1A, 3A
3	153700270040	1	HOLLE SCHROEF, , ----> ....., Nur mit/Only with/Selement avec/Kun med/Solo con 1, 2, 4
3A	1-35-127-040	1	VIJZELSCHROEF, , ..... ---->, Nur mit/Only with/Selement avec/Kun med/Solo con 1A, 2A
4	1-35-127-007	1	FITTING, , ----> ....., Nur mit/Only with/Selement avec/Kun med/Solo con 1, 2, 3
5	190003098014	3	DICHTINGSRING, , A14x18-CU-DIN7603
6	1-35-127-021	1	AANZUIGLEIDING, , ----> ....., Nur mit/Only with/Selement avec/Kun med/Solo con 7, 8
6A	133700732161	1	BUISJE, , ..... ---->, Nur mit/Only with/Selement avec/Kun med/Solo con 7A, 8A
7	190003098086	4	DICHTINGSRING, , A30x36-CU, Nur mit/Only with/Selement avec/Kun med/Solo con 6, 8
7A	190003098071	1	DICHTINGSRING, , A33x39-CU, Nur mit/Only with/Selement avec/Kun med/Solo con 6A, 8A
8	1-35-127-022	1	COUPLING JOINT, , ----> ....., Nur mit/Only with/Selement avec/Kun med/Solo con 6, 7
8A	190003551247	1	FITTING, , L28A-M-ST-A3C, ..... ---->, Nur mit/Only with/Selement avec/Kun med/Solo con 6A, 7A
9	1-35-127-031	1	CLAMP, , ----> ....., Nur mit/Only with/Selement avec/Kun med/Solo con 10
9A	1-35-127-018	1	CLAMP, , ..... ---->, Nur mit/Only with/Selement avec/Kun med/Solo con 10A
10	135700730117	1	AFSTANDSSTUK VOOR BUIZEN, , ----> ....., Nur mit/Only with/Selement avec/Kun med/Solo con 9
10A	1292230060	1	AFSTANDSSTUK VOOR BUIZEN, , ..... ---->, Nur mit/Only with/Selement avec/Kun med/Solo con 9A
11	190003098020	9	DICHTINGSRING, , A18x22-CU
12	190003559567	2	TONNETJE, , L22-ST-A3C
13	190003559510	2	NUT, TUBE, , AL22-A3C
14	190003559515	3	MOER, , AL15-A3C
15	190003559562	3	TONNETJE, , L15-ST-A3C
16	190003962014	2	PLUG, Hex Wash Hd, M10 x 1, , AM10x1-ST-A3C
17	190003098010	2	DICHTINGSRING, , A10x13,5-CU
18	190003559488	2	VERBINDING, , L10A-M-ST-A3C
19	190003098012	3	DICHTINGSRING, , A12x15,5-CU
20	190003962632	3	VIJZELSCHROEF, , 15-3
21	190003559505	3	NUT, TUBE, , AL28-A3C
22	190003559566	3	TONNETJE, , L28-ST-A3C
30	153700270041	1	FITTING,
31	1-35-127-015	1	TUBE ASSY.,
32	135700270076	1	PLAAT, GROOT, , Siehe nächste Seite(n)/See next page(s)/Voir page(s) suivante(s)/Se næste side(r)/Vedere pagin(a/e) seguent(e/i)
33	1292730033	1	FILTERELEMENT,
34	1288730283	1	VEER,
35	1292730086	1	FILTER,
36	190003098040	1	DICHTINGSRING, , A32x38-CU
37	1188730138	1	SCHROEF,
38	190003098031	1	DICHTINGSRING, , A26x31-CU
39	1-35-127-100	1	LEIDING,

Ref	Onderdeelnummer	Kwt	Beschrijving
40	133700732158	1	BUISJE, , Ersetzt/Replaces/Remplace/Udskiftet/Sostituisce 1-35-127-012
41	1-35-127-066	1	KONTROLEKLEP, , Ersetzt/Replaces/Remplace/Udskiftet/Sostituisce 1-35-127-025 - Siehe nächste Seite(n)/See next page(s)/Voir page(s) suivante(s)/Se næste side(r)/Vedere pagin(a/e) sequent(e/i)
42	190003559487	1	FITTING, , L8A-M-ST-A3C
43	1-35-127-005	1	FLEXIBELE BUIS,
44	190003551243	1	FITTING, , L28-ST-A3C
45	1-35-127-003	1	FLEXIBELE BUIS,
46	1-35-127-001	1	FLEXIBELE BUIS,
47	190003962612	1	VIJZELSCHROEF, , 8-3
48	190003559954	1	FITTING, , L15-ST-A3C
49	1-35-127-002	1	FLEXIBELE BUIS,
50	190003559968	1	VERBINDING, , L15-ST-A3C
51	1-35-127-008	1	TUBE ASSY.,
52	190003098086	1	DICHTINGSRING, , A30x36-CU
53	135700270080	1	SCHROEF,
54	190003098091	1	SEAL ASSY., , A28x33-CU
55	190003800334	1	SCHROEF, , M6x30-8.8-A2C
56	190003800521	1	SCHROEF, , M10x35-8.8-A3C
57	1390730078	1	CLAMP,
58	190003888608	1	MOER, , VM6-8-A2C
59	15896221	5	MOER, M6, CI 10, , M6-8-A2C, DIN934
60	199000360408	1	KLEM,
61	1-35-127-010	4	HOEKSTUK,
62	190003930251	5	SCHIJF, , A6,4-140HV-A3C
63	1609E110049	4	KLEM,
64	86508568	5	BOUT, Hex, M6 x 16, 8.8,
65		1	, Siehe Kapitel 02/See chapter 02/Voir chapitre 02/Se kapitel 02/Vedere capitolo 02

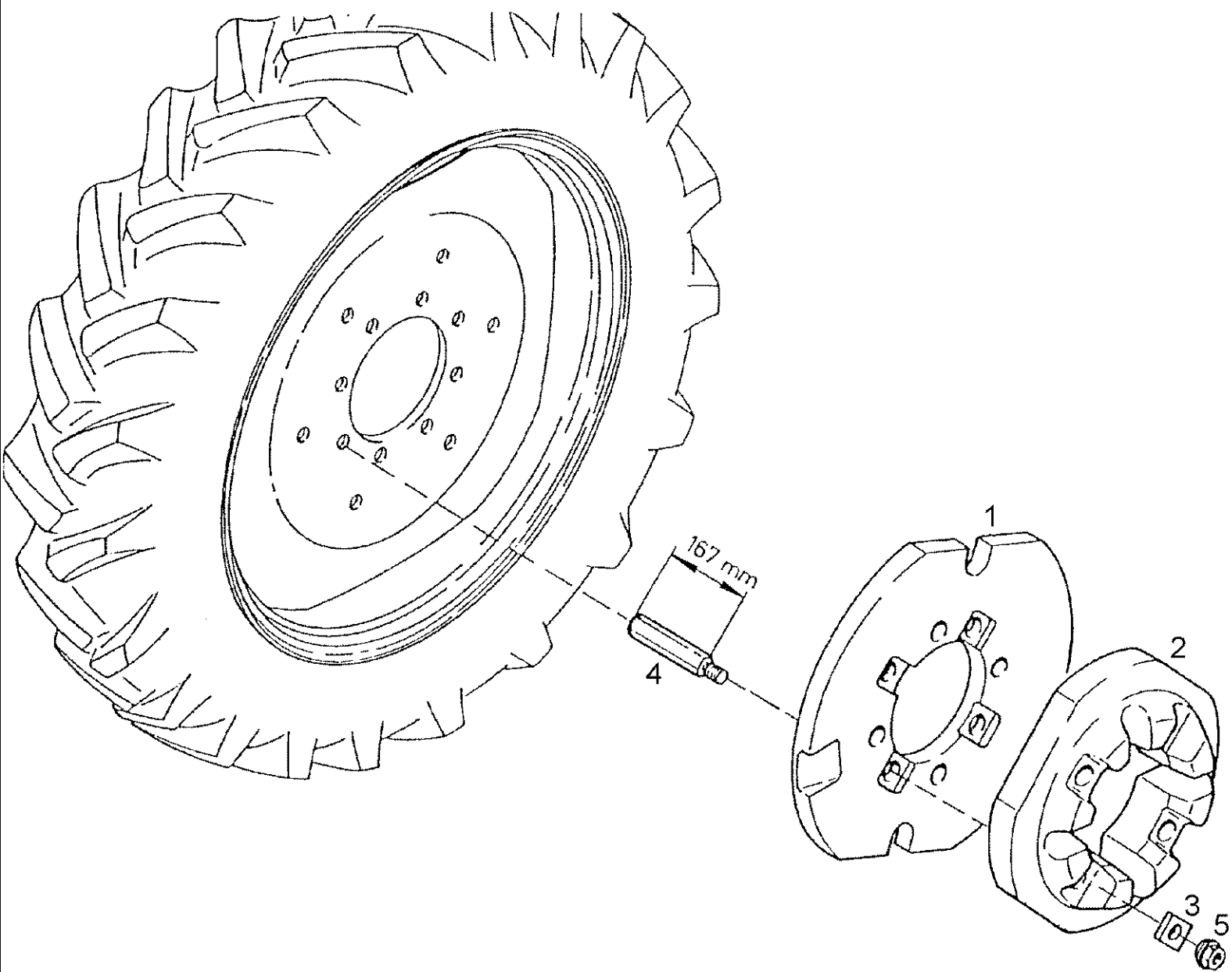


Ref	Onderdeelnummer	Kwt	Beschrijving
A	135700270076	1	PLAAT, GROOT, , Besteht aus/Consists of/Compose de/Bestående af/È composto da 1 - 9
1	135700270077	1	PLAAT, GROOT,
2	190003098020	1	DICHTINGSRING, , A18x22-CU
3	190003962030	1	PLUG, Hex Wash Hd, M18 x 1.5, , AM18x1,5-ST-A3C
4	1397750159	1	SCHOEP,
5	190003098031	1	DICHTINGSRING, , A26x31-CU
6	190003935004	1	SCHIJF, , 6-ST-A3C
7	1397750158	1	SPRING, COMPRESSION,
8	190003330543	1	KOGEL, , 11mm-III
9	1397750161	1	ZUIGER,



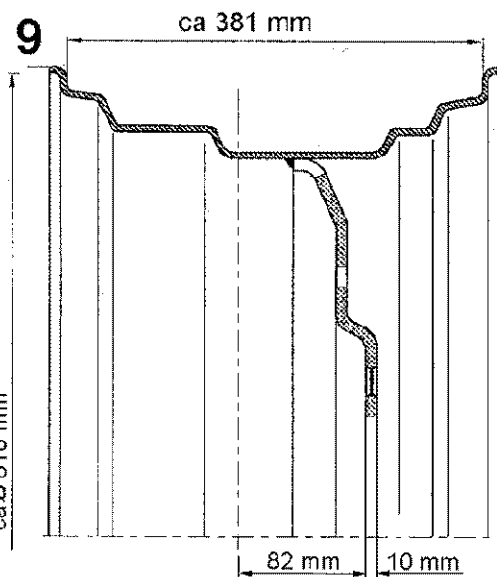
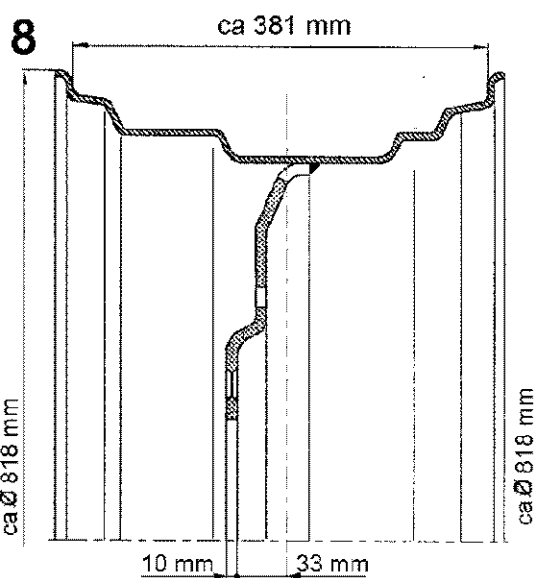
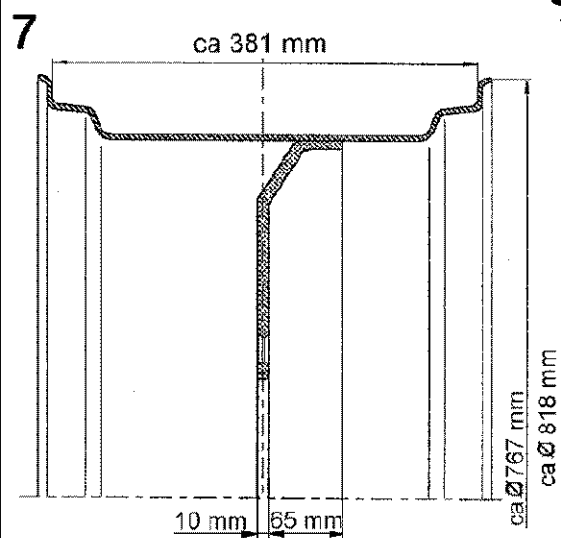
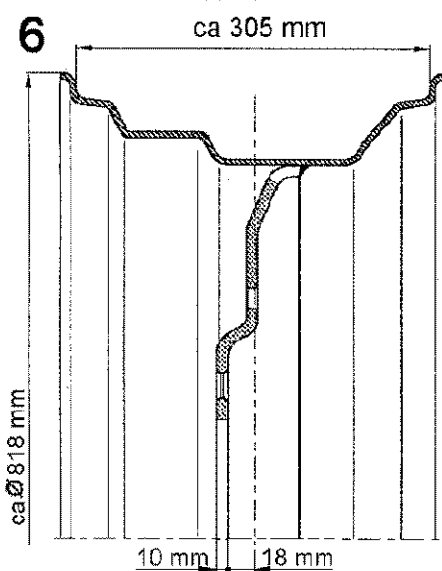
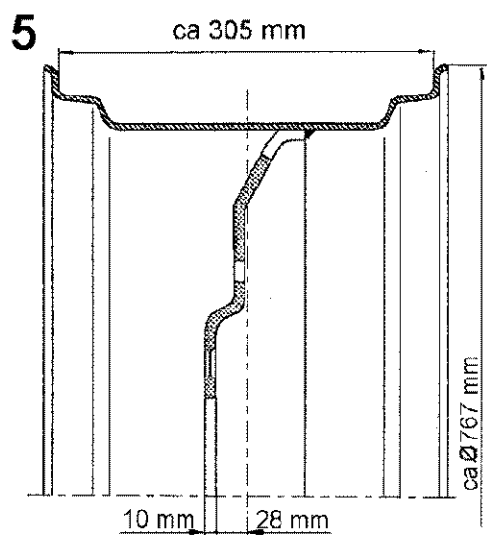
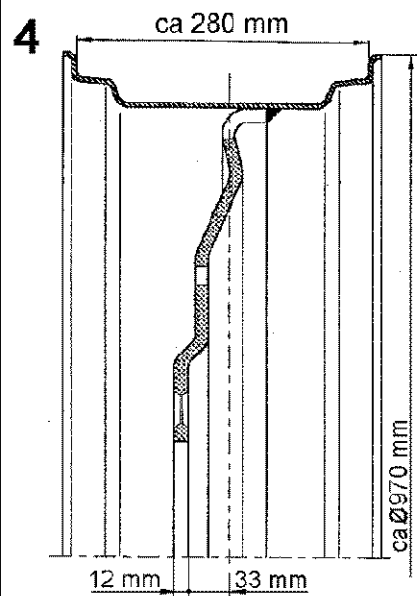
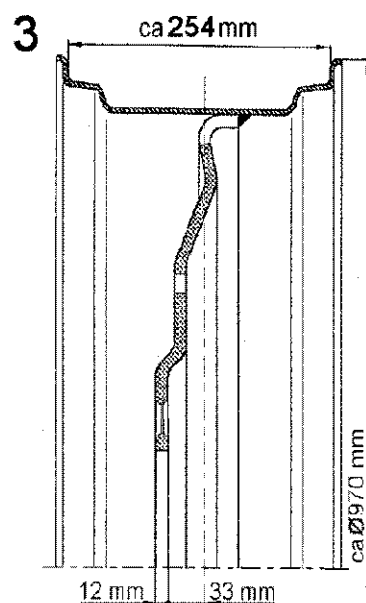
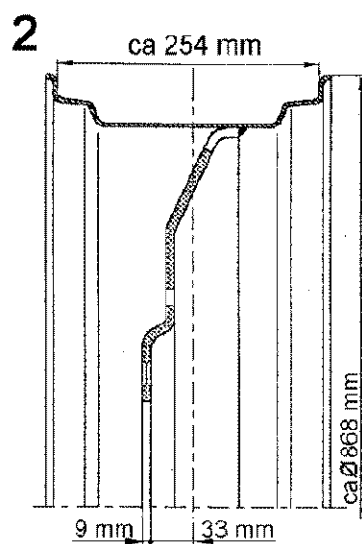
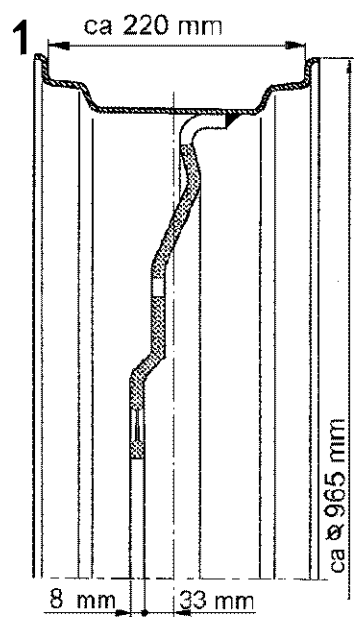


Ref	Onderdeelnummer	Kwt	Beschrijving
A	1-35-127-025	1	KONTROLEKLEP, , ----> ....., Besteht aus/Consists of/Compose de/Bestående af/È composto da 1 - 21 - Ersetzt/Replaces/Remplace/Udskiftet/Sostituisce 137700750124
B	1-35-127-066	1	KONTROLEKLEP, , ..... ---->, l=83,5mm / Besteht aus/Consists of/Compose de/Bestående af/È composto da 1 - 19, 22 - Ersetzt/Replaces/Remplace/Udskiftet/Sostituisce 1-35-127-025
1	1397750136	1	HUIS,
2	1397750020	1	LAGER,KOPPELING DRUKPLAA,
3	1397750165	1	SPRING, COMPRESSION,
4	1397750021	1	AFSTANDSRING,
5	1397750176	1	SCHIJF,
6	190003933010	1	SLUITRING, , 6x0,7
7	190003098031	1	DICHTINGSRING, , A26x31-CU
8	1397750177	1	SCHROEF,
10	190003920000	2	SPLITPEN, , 1,2x10-ST-A4C
11	1397750188	2	LAGER,KOPPELING DRUKPLAA,
12	190003900023	1	PIN, LARGE, , 5H11x40x36-ST-A3C
13	1397750189	1	VEER,
14	190003862316	1	SCHROEF, , M6x16-8.8-A2C
15	1397750017	1	COVER,
16	190003909663	1	SPANSTIFT, , 5x14
17	1397750174	1	BEDIENING,
18	1397750084	1	RING, SCRAPER,
19	1397750110	1	O-RING,
20	137700750005	1	HEFBOOM, , ----> .....
21	133000753020	1	VEER, , ----> ....., Ersetzt/Replaces/Remplace/Udskiftet/Sostituisce 1397750085
22	1-35-127-064	1	HEFBOOM, , ..... ---->



## 06-65(01) REAR WHEEL WEIGHT

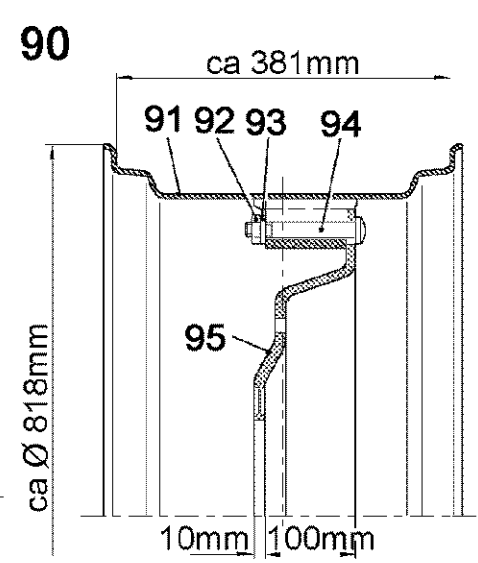
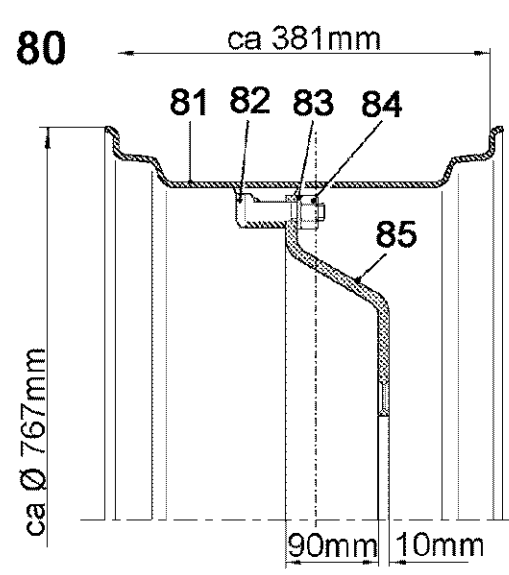
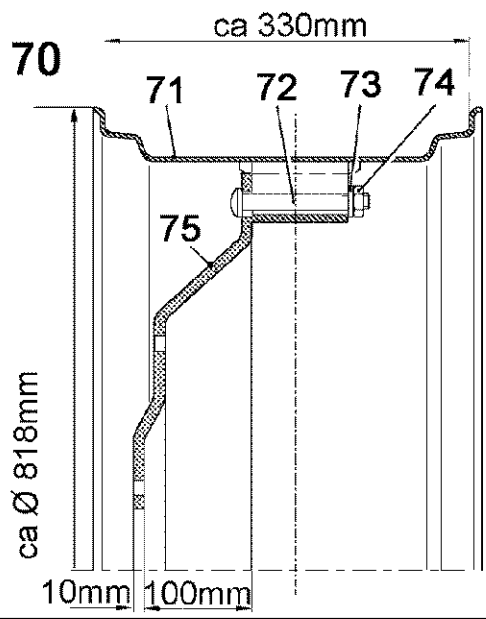
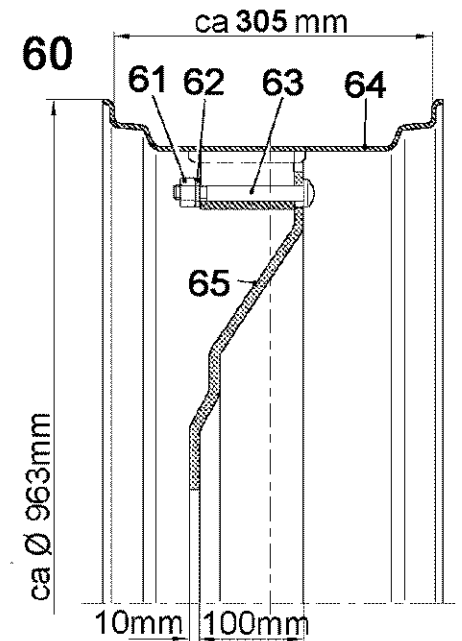
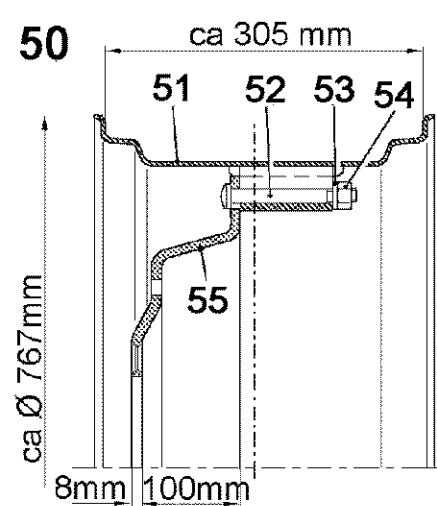
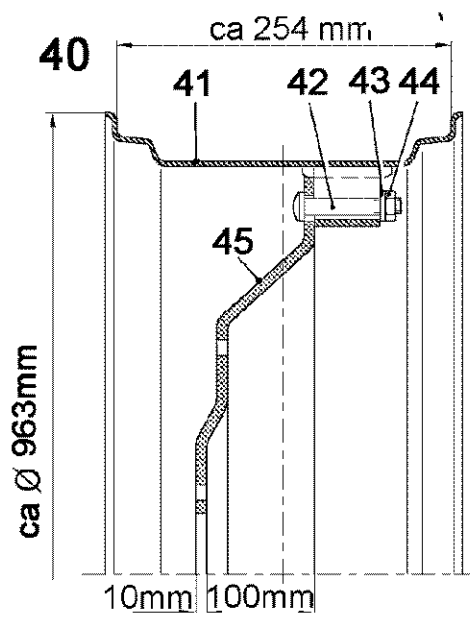
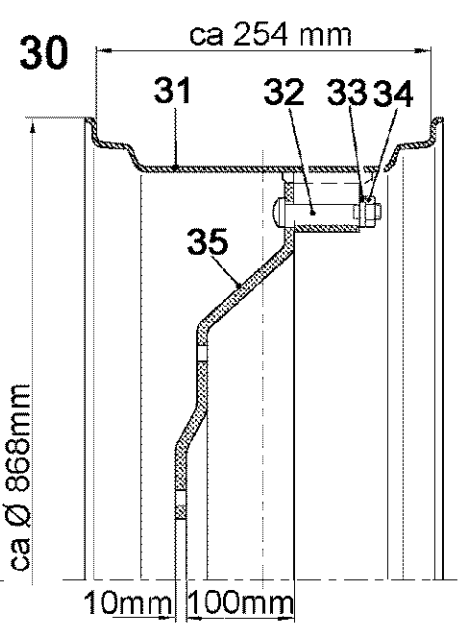
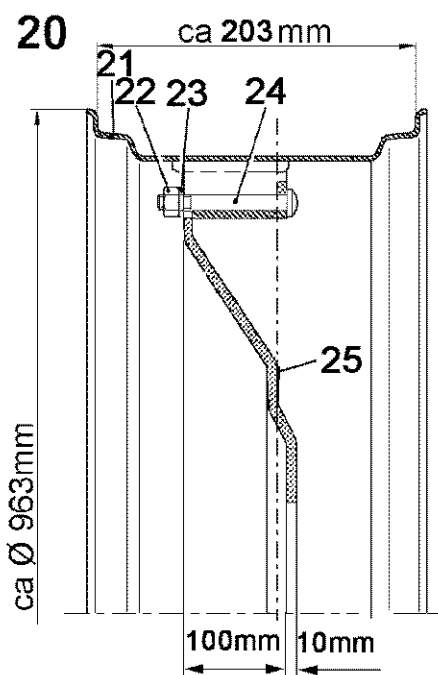
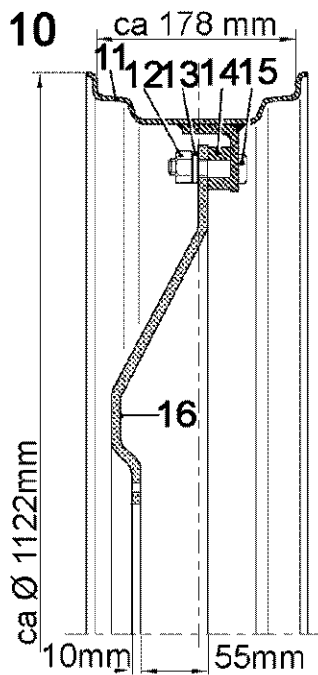
Ref	Onderdeelnummer	Kwt	Beschrijving
1	1192610005	4	BALLAST,
2	133700610242	2	WIELGEWICHTEN,
3	1390610044	8	PLAAT,
4	133700610243	8	PEN,
5	190003880013	16	MOER, , A20-8



955 STEYR TRACTOR (2/92-6/97) - Aandrijflijn

06-66(01) REAR WHEELS, NOT ADJUSTABLE

Ref	Onderdeelnummer	Kwt	Beschrijving
1	133700610109	2	WIELVEL, , W8x36
2	1292610013	2	WIELVEL, , W10x32
3	133700610290	2	WIEL, , W10x36
4	133700610291	2	WIELVEL, , W11x36
5	133700612009	2	WIELVEL, , W12x28
6	133700610113	2	WIELVEL, , DW12x30
7	1-33-161-183	2	WIELVEL, , W15Lx28
8	135700610186	2	WIELVEL, , DW15Lx30, ET33
9	1-33-161-084	2	WIELVEL, , DW15Lx30, ET92

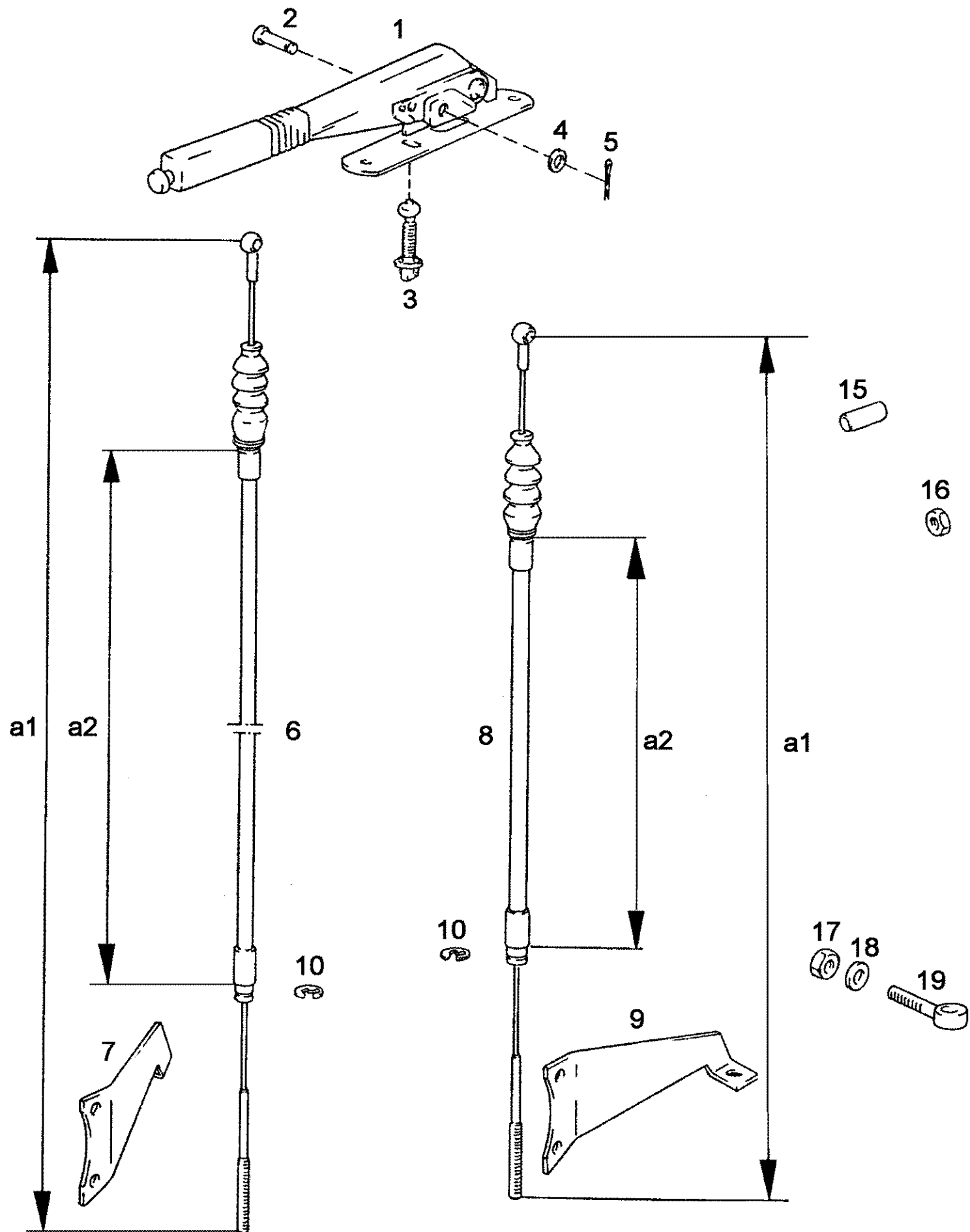


Ref	Onderdeelnummer	Kwt	Beschrijving
10	133700610284	2	WIEL, , W7x42 - Besteht aus/Consists of/Compose de/Bestående af/È composto da 11 - 16
11	NSS	2	NIET ALLEEN VERKRIJGBAAR,
12	1-33-761-003	16	MOER, , M16x1,5
13	1-33-761-002	16	SCHIJF,
14	NSS	16	NIET ALLEEN VERKRIJGBAAR,
15	NSS	16	NIET ALLEEN VERKRIJGBAAR,
16	NSS	2	NIET ALLEEN VERKRIJGBAAR,
20	133700610250	2	WIELVEL, , W8x36 - Besteht aus/Consists of/Compose de/Bestående af/È composto da 21 - 25
21	NSS	2	NIET ALLEEN VERKRIJGBAAR,
22	NSS	16	NIET ALLEEN VERKRIJGBAAR,
23	NSS	16	NIET ALLEEN VERKRIJGBAAR,
24	NSS	16	NIET ALLEEN VERKRIJGBAAR,
25	NSS	16	NIET ALLEEN VERKRIJGBAAR,
30	133700610066	2	WIELVEL, , W10x32 - Besteht aus/Consists of/Compose de/Bestående af/È composto da 31 - 35
31	NSS	2	NIET ALLEEN VERKRIJGBAAR,
32	NSS	16	NIET ALLEEN VERKRIJGBAAR,
33	1-33-761-002	16	SCHIJF,
34	NSS	16	NIET ALLEEN VERKRIJGBAAR,
35	NSS	2	NIET ALLEEN VERKRIJGBAAR,
40	133700610707	2	WIEL, , W10x36 - Besteht aus/Consists of/Compose de/Bestående af/È composto da 41 - 45
41	NSS	2	NIET ALLEEN VERKRIJGBAAR,
42	NSS	16	NIET ALLEEN VERKRIJGBAAR,
43	NSS	16	NIET ALLEEN VERKRIJGBAAR,
44	NSS	16	NIET ALLEEN VERKRIJGBAAR,
45	NSS	2	NIET ALLEEN VERKRIJGBAAR,
50	133700612004	2	WIELVEL, , W12x28 - Besteht aus/Consists of/Compose de/Bestående af/È composto da 51 - 55
51	NSS	2	NIET ALLEEN VERKRIJGBAAR,
52	NSS	16	NIET ALLEEN VERKRIJGBAAR,
53	NSS	16	NIET ALLEEN VERKRIJGBAAR,
54	1-33-761-003	16	MOER, , M16x1,5
55	NSS	2	NIET ALLEEN VERKRIJGBAAR,
60	133700610071	2	WIELVEL, , W12x36C - Besteht aus/Consists of/Compose de/Bestående af/È composto da 61 - 65
61	133700610712	16	MOER, , M16x1,5
62	354479A1	16	SLUITRING,
63	354480A1	16	SCHROEF, , M16x1,5x125
64	NSS	2	NIET ALLEEN VERKRIJGBAAR,
65	NSS	2	NIET ALLEEN VERKRIJGBAAR,
70	133700610080	2	WIELVEL, , W13x30 - Besteht aus/Consists of/Compose de/Bestående af/È composto da 71 - 75
71	NSS	2	NIET ALLEEN VERKRIJGBAAR,
72	NSS	16	NIET ALLEEN VERKRIJGBAAR,
73	1-33-761-002	16	SCHIJF,

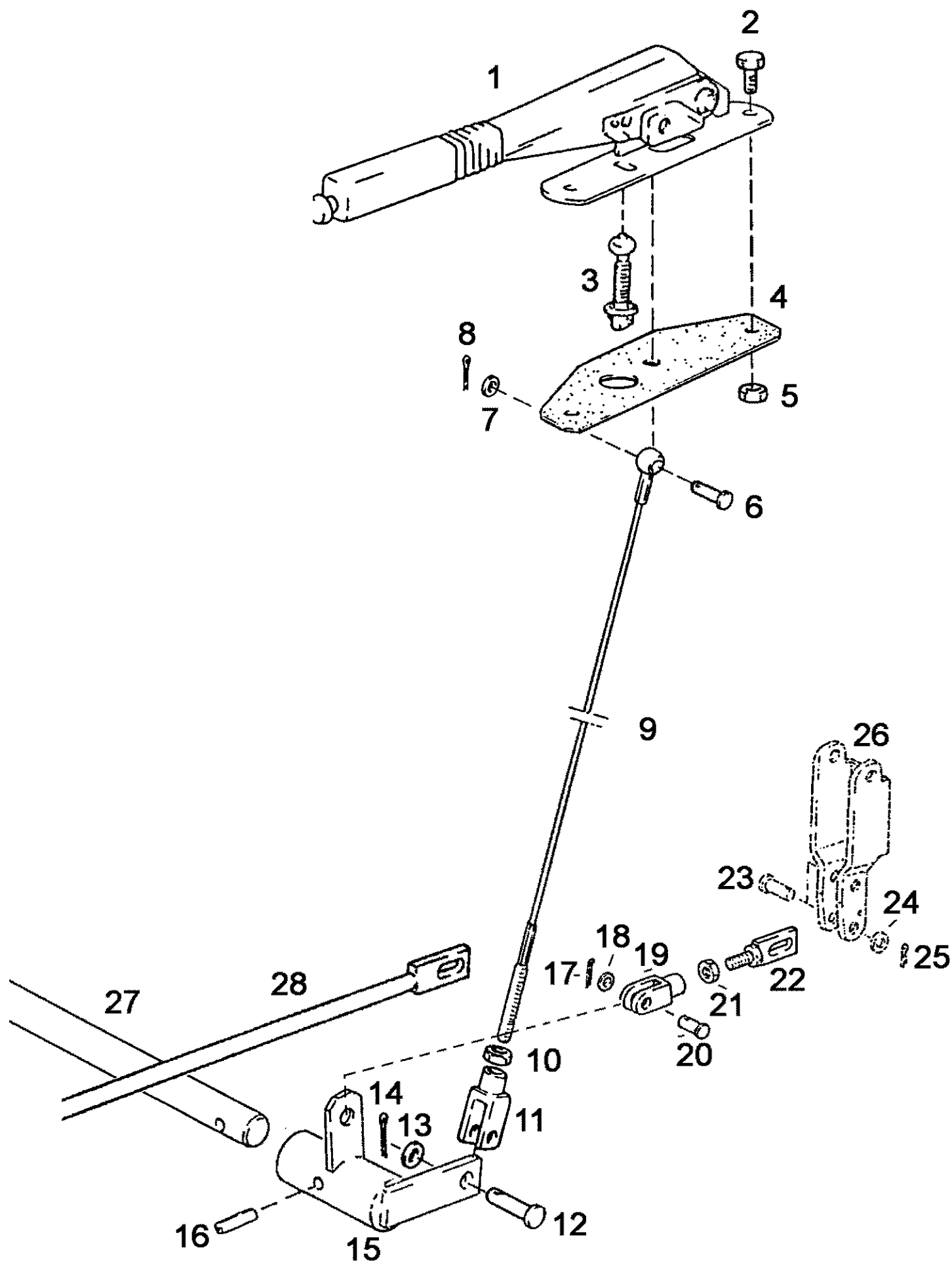
Ref	Onderdeelnummer	Kwt	Beschrijving
74	1-33-761-003	16	MOER, , M16x1,5
75	NSS	2	NIET ALLEEN VERKRIJGBAAR,
80	1-33-161-269	2	WIELVEL, , W15Lx28 - Besteht aus/Consists of/Compose de/Bestående af/È composto da 81 - 85
81	NSS	2	NIET ALLEEN VERKRIJGBAAR,
82	299594A1	12	BOUT,
83	133700610710	12	SCHIJF,
84	133700610709	12	MOER, , M18x1,5
85	NSS	2	NIET ALLEEN VERKRIJGBAAR,
90	133700610073	2	WIELVEL, , W15Lx30 - Besteht aus/Consists of/Compose de/Bestående af/È composto da 91 - 95
91	NSS	2	NIET ALLEEN VERKRIJGBAAR,
92	133700610712	16	MOER, , M16x1,5
93	354479A1	16	SLUITRING,
94	NSS	16	NIET ALLEEN VERKRIJGBAAR,
95	NSS	2	NIET ALLEEN VERKRIJGBAAR,



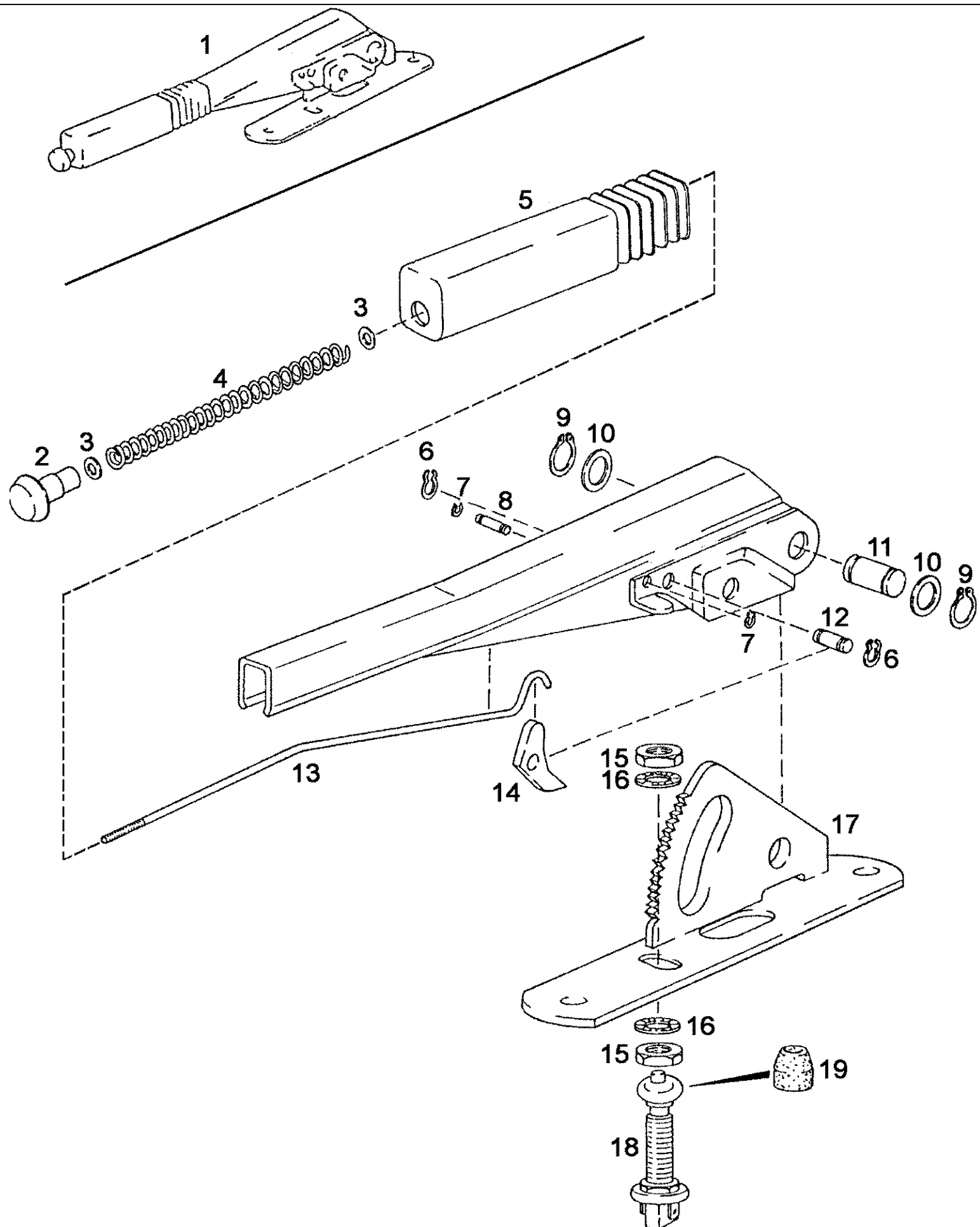




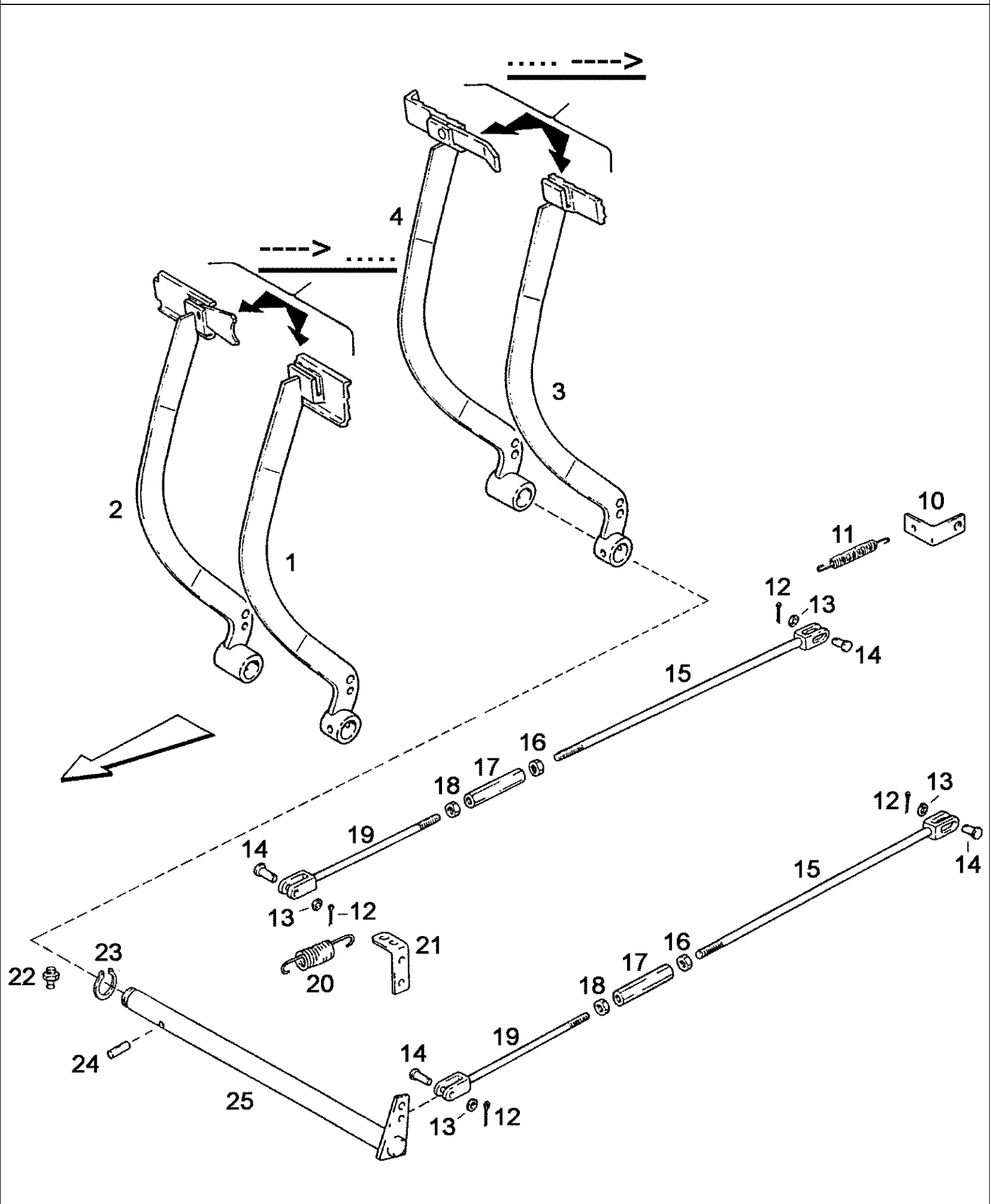
Ref	Onderdeelnummer	Kwt	Beschrijving
1	1-34-443-091	1	HANDREM, , Siehe nächste Seite(n)/See next page(s)/Voir page(s) suivante(s)/Se næste side(r)/Vedere pagin(a/e) sequent(e/i)
2	190003900064	1	BOUT, , 10H11x50x45
3	1-34-743-001	1	SCHAKELAAR,
4	190003930271	1	SCHIJF, , A10,5-140HV-A3C
5	190003920217	1	SPLITPEN, , 3,2x16-ST-A4C
6	133700350154	1	CABLE ASSY., , Rechts/Right/Droite/Højre/Destra
7	133700350160	1	SUPPORT, , Rechts/Right/Droite/Højre/Destra
8	133700350155	1	CABLE ASSY., , Links/Left/Gauche/Venstre/Sinistro
9	133700350161	1	SUPPORT, , Links/Left/Gauche/Venstre/Sinistro
10	190003936622	2	SLUITRING, , 12-A3C
15	1-99-942-021	2	AFSTANDSSTUK VOOR BUIZEN,
16	190003871517	6	MOER, , M10x1-05-A3C-DIN936
17	100038	2	NUT, LOCK, M12 x 1.75, CI 8,
18	190003930282	2	SCHIJF, , 13-140HV-A3C
19	190003860571	2	SCHROEF, , LCM12x35-4.6-A3C



Ref	Onderdeelnummer	Kwt	Beschrijving
1	1-34-443-091	1	HANDREM, , Siehe nächste Seite(n)/See next page(s)/Voir page(s) suivante(s)/Se næste side(r)/Vedere pagin(a/e) seguent(e/i)
2	190003802506	2	SCHROEF, , M10x16-8.8-A3C
3	1-34-743-001	1	SCHAKELAAR,
4	1-34-543-001	1	DICHTINGSSTUK,
5	190003888452	2	MOER, , VM10-8-A3C
6	190003900066	1	PIN, LARGE, , 10H11x40x35-ST_A3C
7	190003930271	1	SCHIJF, , A10,5-140HV-A3C
8	190003920221	1	SPLITPEN, , 3,2x18-ST-A4C
9	1-33-135-090	1	ROPE, METAL,
10	100016	1	MOER, M10, CI 8,
11	190003964444	1	VORK, , G10x40-A3C
12	190003903645	1	PIN, LARGE, , 10H11x28x24-ST-A3C
13	190003930271	1	SCHIJF, , A10,5-140HV-A3C
14	190003920217	1	SPLITPEN, , 3,2x16-St-A4C
15	131700350019	1	NAAF, , Links/Left/Gauche/Venstre/Sinistro
16	190003904275	1	PEN, , 10x45-ST
17	190003920217	2	SPLITPEN, , 3,2x16-ST-A4C
18	190003930271	2	SCHIJF, , A10,5-140HV-A3C
19	190003964436	1	VORK, , G10x20-A3C, Siehe nächste Seite(n)/See next page(s)/Voir page(s) suivante(s)/Se næste side(r)/Vedere pagin(a/e) seguent(e/i)
20	190003903645	1	PIN, LARGE, , 10H11x28x24-ST-A3C
21	100016	1	MOER, M10, CI 8,
22	133700350248	1	STANG, , Siehe nächste Seite(n)/See next page(s)/Voir page(s) suivante(s)/Se næste side(r)/Vedere pagin(a/e) seguent(e/i)
23	190003903206	2	PIN, LARGE, , 12H11x45x40-ST-A3C
24	190003930282	4	SCHIJF, , A13-140HV-A3C
25	190003920321	3	SPLITPEN, , 4x20-ST-A4C
26	153700340017	1	BRAKE LEVER, , Siehe nächste Seite(n)/See next page(s)/Voir page(s) suivante(s)/Se næste side(r)/Vedere pagin(a/e) seguent(e/i)
27		1	, BREMSWELLE/BRAKE SHAFT/ARGRE DE FREIN - Siehe nächste Seite(n)/See next page(s)/Voir page(s) suivante(s)/Se næste side(r)/Vedere pagin(a/e) seguent(e/i)
28		1	, STANGE/ROD/BARRE/STANG/ASTA - Siehe nächste Seite(n)/See next page(s)/Voir page(s) suivante(s)/Se næste side(r)/Vedere pagin(a/e) seguent(e/i)

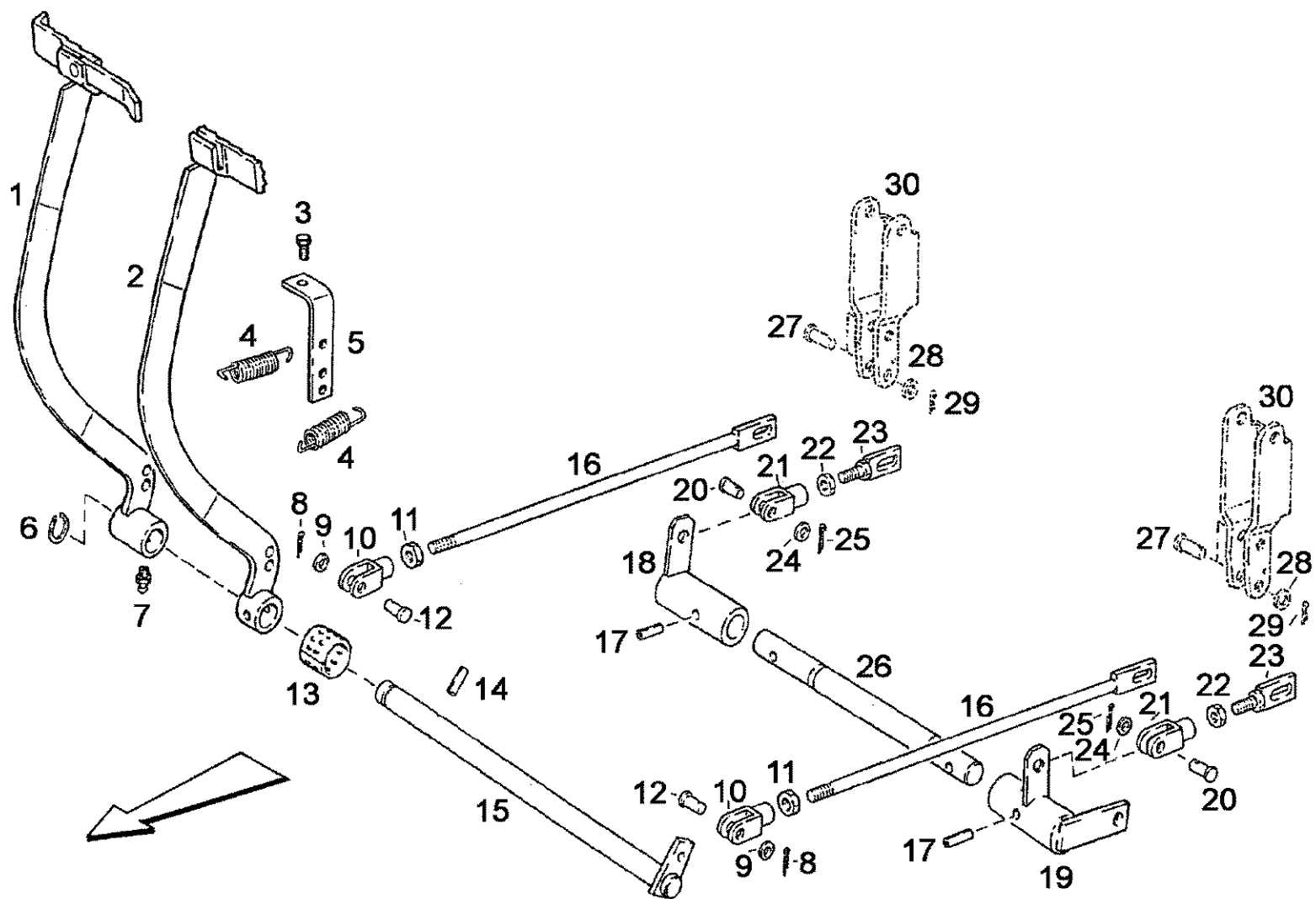


Ref	Onderdeelnummer	Kwt	Beschrijving
1	1-34-443-091	1	HANDREM, , Besteht aus/Consists of/Compose de/Bestående af/È composto da 2 - 22
2	1-34-743-008	1	DRUKKNOP,
3	1-34-743-009	2	SPRING, BELLEVILLE,
4	1-34-743-007	1	VEER,
5	1-34-743-003	1	HANDGREEP,
6	1-34-743-013	2	BORGVEER, , Ø8mm
7	1-34-743-018	2	BOORGVEER, , Ø5mm
8	1-34-743-010	1	BOUT,
9	1-34-743-014	2	BORGVEER, , Ø14mm
10	1-34-743-015	2	SLUITRING,
11	1-34-743-012	1	BOUT,
12	1-34-743-011	1	PEN,
13	1-34-743-004	1	STANG,
14	1-34-743-006	1	DETENT,
15	1-34-743-005	2	MOER,
16	1-34-743-016	2	SLUITRING,
17	1-34-743-002	1	STEUN,
18	1-34-743-001	1	SCHAKELAAR, , Einschließlich/Includes/Avec/Inklusive/Compreso 22 - Siehe Kapitel 04/See chapter 04/Voir chapitre 04/Se kapitel 04/Vedere capitolo 04
19	1-34-743-019	1	BOOT,
	1-34-743-017	1	SLUITRING, , Ø12mm

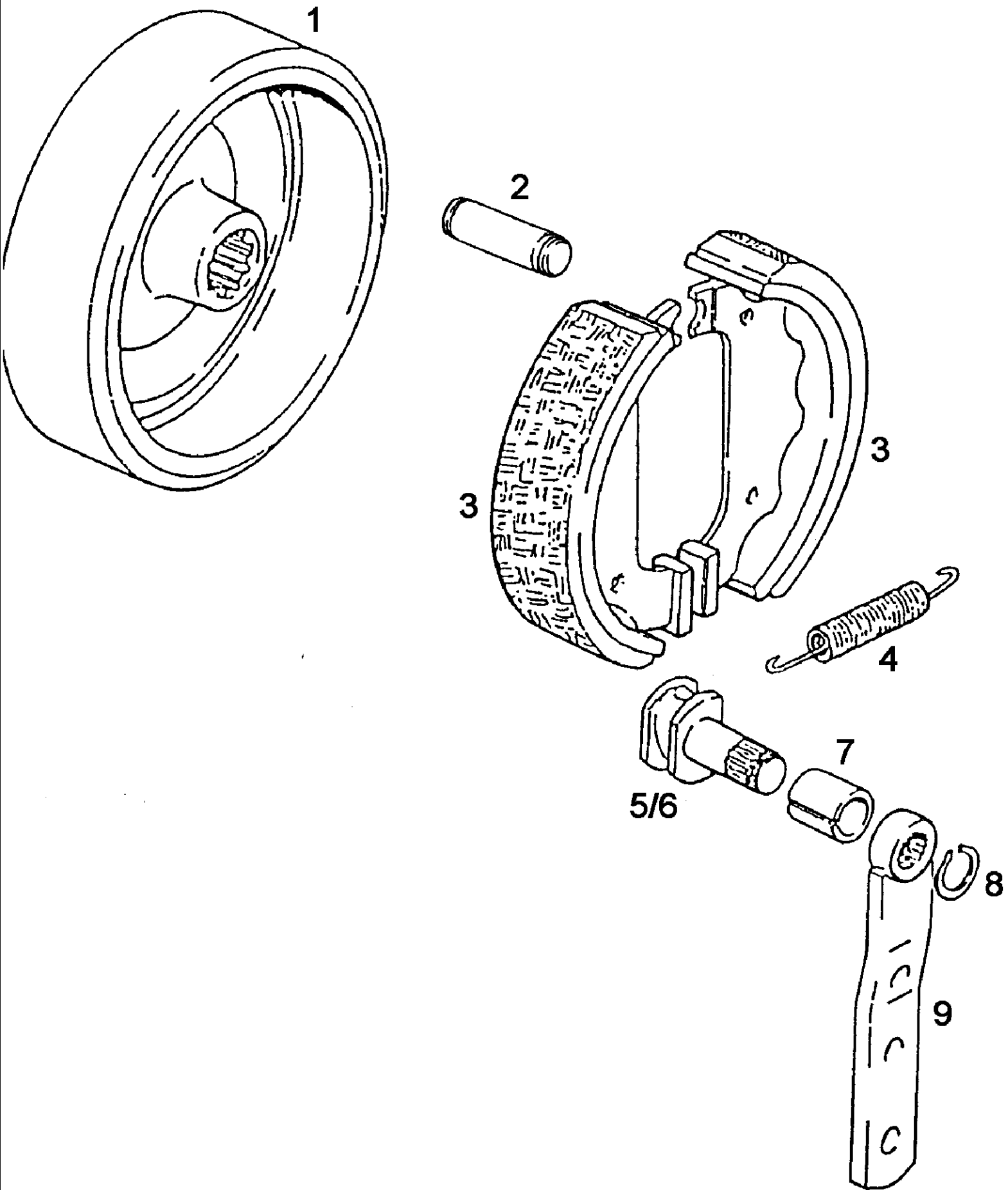




Ref	Onderdeelnummer	Kwt	Beschrijving
1	1-33-135-004	1	BRAKE LEVER, , ----> ..... - Links/Left/Gauche/Venstre/Sinistro
2	1-33-135-005	1	BRAKE LEVER, , ----> ..... - Rechts/Right/Droite/Højre/Destra
3	1-33-135-091	1	BRAKE LEVER, , ..... ----> - Links/Left/Gauche/Venstre/Sinistro
4	1-33-135-092	1	BRAKE LEVER, , ..... ----> - Rechts/Right/Droite/Højre/Destra
10	133700360046	2	HOEKSTUK,
11	1288350093	2	VEER,
12	190003920217	4	SPLITPEN, , 3,2x16-St-A4C
13	190003930271	4	SCHIJF, , A10,5-140HV-A3C
14	190003903655	4	PEN, , 10H11x30x26-ST-A3C
15	133700350163	2	STANG,
16	190003871301	2	MOER, , M10LH-8-A3C
17	1188350004	2	TRUSS ROD,
18	100016	2	MOER, M10, CI 8,
19	1190350036	2	STANG,
20	1680230008	2	VEER,
21	1-33-135-114	1	HOEKSTUK,
22	190003963112	1	SMEERNIPPEL, , AM8x1-A3F
23	190003933141	1	SLUITRING, , 28x1,5
24	190003904080	1	PEN, , 8x40-ST
25	133700350229	1	AS,



Ref	Onderdeelnummer	Kwt	Beschrijving
1	1-33-135-092	1	BRAKE LEVER, , Rechts/Right/Droite/Højre/Destra
2	1-33-135-091	1	BRAKE LEVER, , Links/Left/Gauche/Venstre/Sinistro
3	336199	2	BOU, Hex, M8 x 12, 8.8, Full Thd, , M8x12-8.8-A2C
4	1680230008	2	VEER,
5	1-33-135-114	1	HOEKSTUK,
6	190003933141	1	SLUITRING, , 28x1,5
7	190003963112	1	SMEERNIPPEL, , AM8x1-A3F
8	190003920321	2	SPLITPEN, , 4x20-ST-A4C
9	190003930282	2	SCHIJF, , A13-140HV-A3C
10	190003964448	2	VORK, , G12x24-A3C
11	337475	2/1	MOER, M12, CI 10,
12	190003903221	2	PIN, LARGE, , 12H11x35x29-ST-A3C
13	1288210051	2	LAGERBUS,
14	190003904080	1	PEN, , 8x40-ST
15	133700350245	1	AS,
16	133700350239	2	STANG,
17	190003904275	2	PEN, , 10x45-ST
18	131700350020	1	NAAF, , Rechts/Right/Droite/Højre/Destra
19	131700350019	1	NAAF, , Links/Left/Gauche/Venstre/Sinistro
20	190003903645	2	PIN, LARGE, , 10H11x28x24-ST-A3C
21	190003964436	2	VORK, , G10x20-A3C
22	100016	2	MOER, M10, CI 8,
23	133700350248	2	STANG,
24	190003930271	4	SCHIJF, , A10,5-140HV-A3C
25	190003920217	4	SPLITPEN, , 3,2x16-ST-A4C
26	133700350086	1	AS,
27	190003903206	4	PIN, LARGE, , 12H11x45x40-ST-A3C
28	190003930282	8	SCHIJF, , A13-140HV-A3C
29	190003920321	6	SPLITPEN, , 4x20-ST-A4C
30		2	, BREMSHEBEL/BRAKE LEVER/LEVIER DE FREIN - Siehe nächste Seite(n)/See next page(s)/Voir page(s) suivante(s)/Se næste side(r)/Vedere pagin(a/e) seguent(e/i)

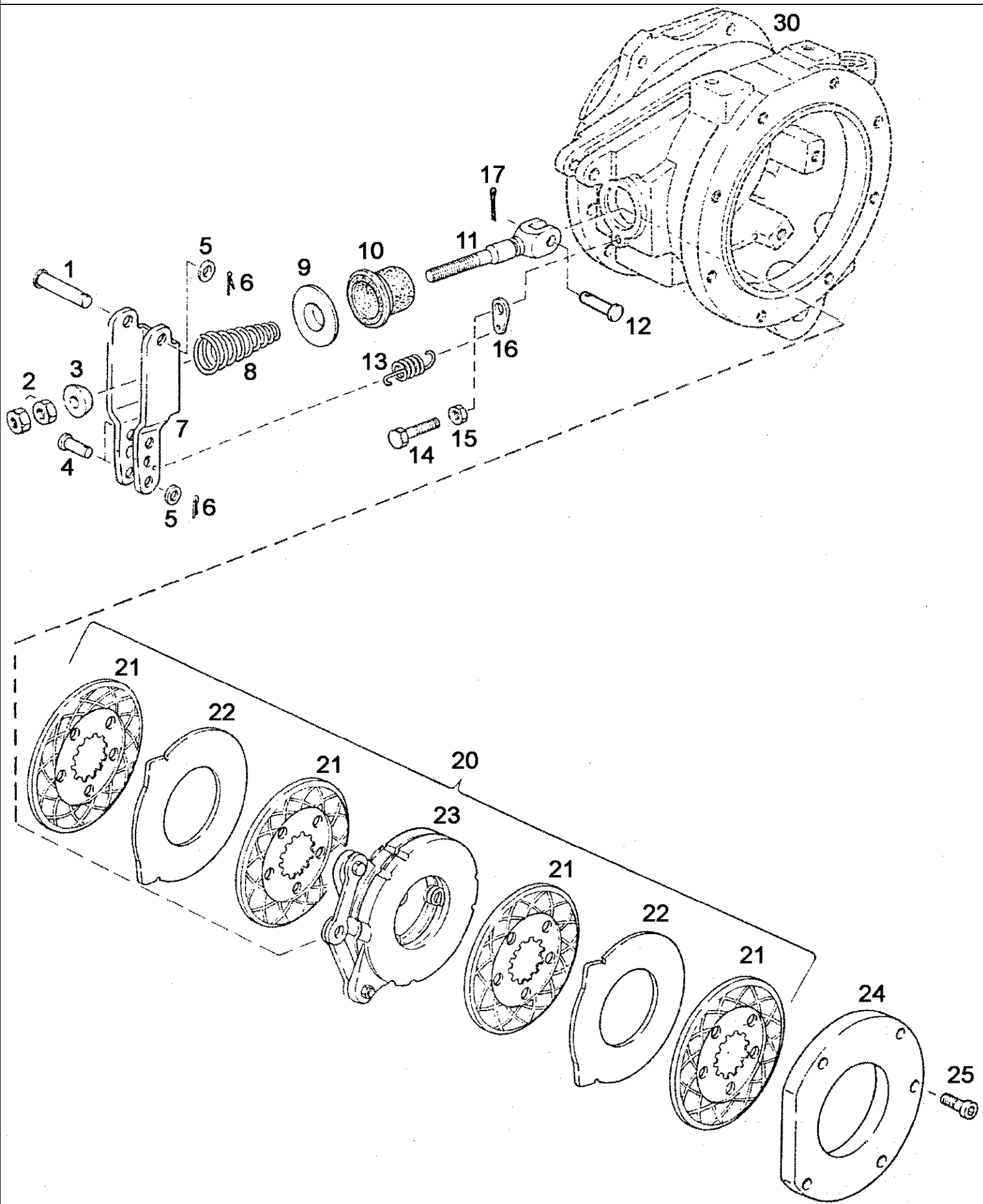


955 STEYR TRACTOR (2/92-6/97) - Remmen

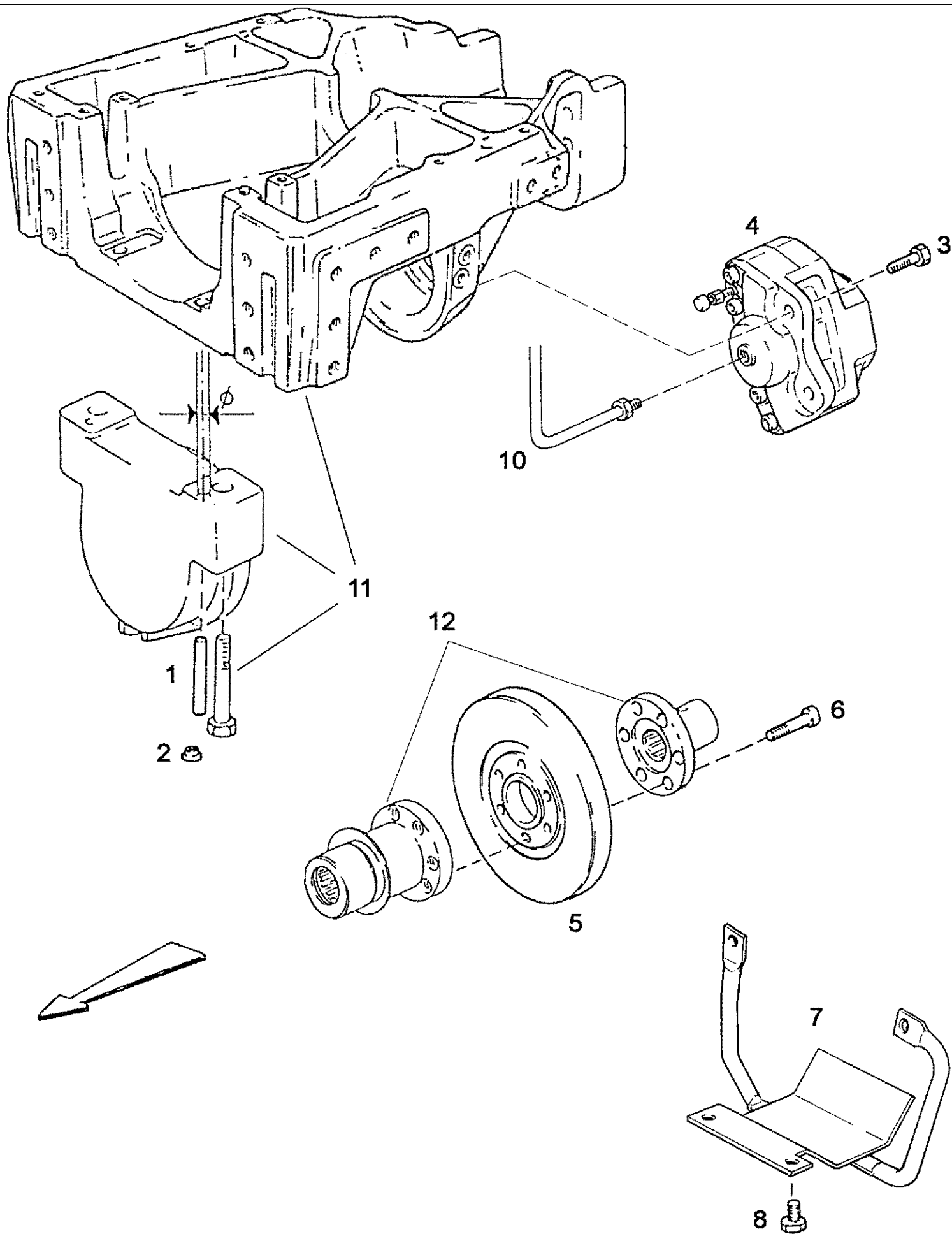
07-06(01) REAR WHEEL BRAKE / ----> 01738

Ref	Onderdeelnummer	Kwt	Beschrijving
1	133700340008	2	DRUM, BRAKE,
2	133700340047	2	PIN, LARGE,
3	133700340098	4	SHOE, BRAKE,
4	1288340042	2	SPRING, TENSION,
5	133700340006	1	AS, , Rechts/Right/Droite/Højre/Destra
6	133700340007	1	AS, , Links/Left/Gauche/Venstre/Sinistro
7	1295340026	2	LAGERBUS,
8	190003933111	2	SLUITRING, , 24x1,2
9	133700340072	2	HEFBOOM,

----> 01738



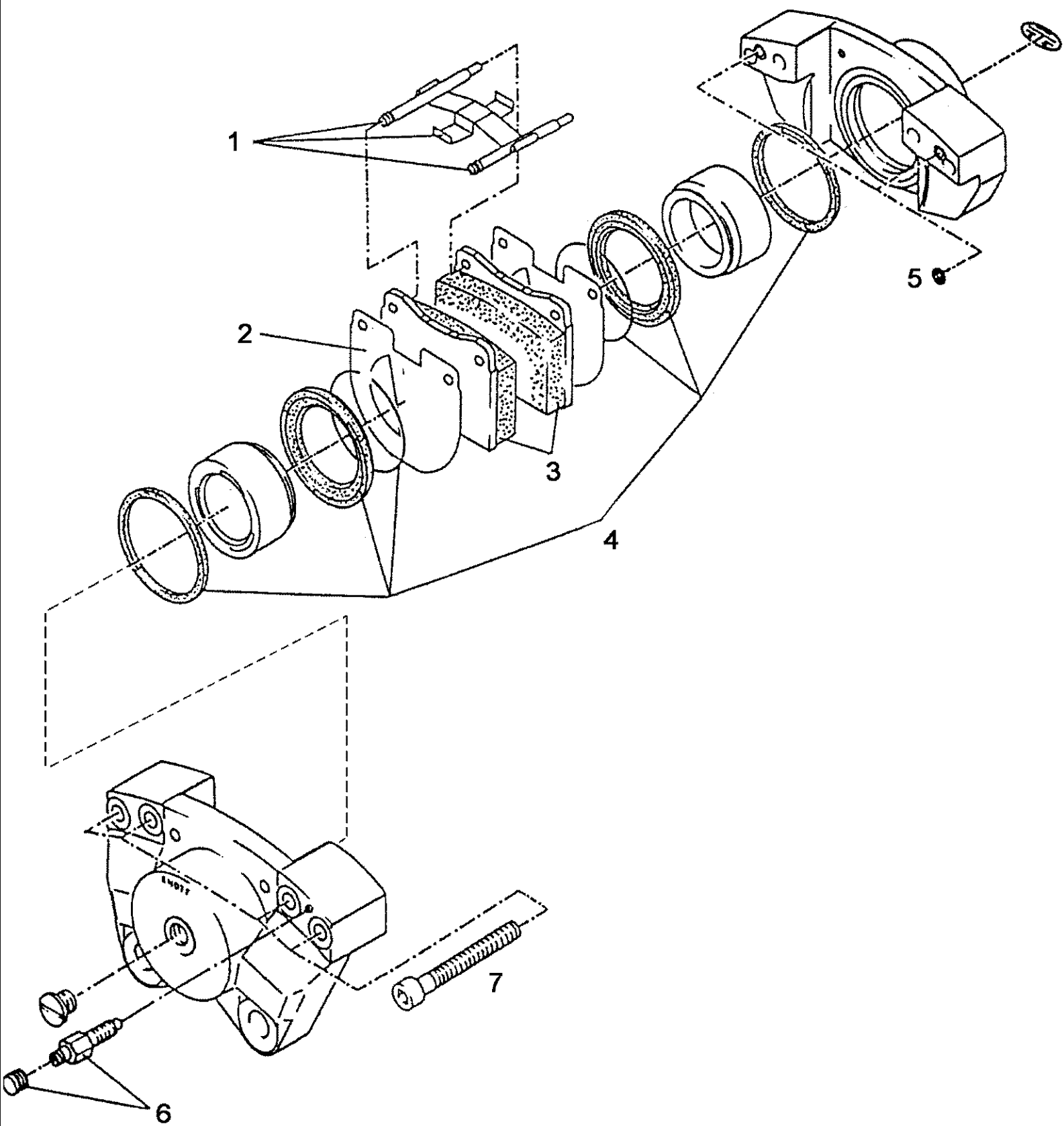
Ref	Onderdeelnummer	Kwt	Beschrijving
1	190003900229	2	PIN, LARGE, , 12H11x75x70
2	337475	4	MOER, M12, CI 10,
3	133700340104	2	SCHIJF,
4	190003903206	4	PIN, LARGE, , 12H11x45x40
5	190003930282	6	SCHIJF, , A13
6	190003920321	6	SPLITPEN, , 4x20
7	153700340007	2	BRAKE LEVER, , Ersetzt/Replaces/Remplace/Udskiftet/Sostituisce 153700340017
8	133700340105	2	SPRING, COMPRESSION,
9	133700340101	2	COVER, PROTECTIVE,
10	133700340103	2	DICHTINGSBESCHERMING,
11	133700340086	2	STANG,
12	133700340090	2	PIN, LARGE,
13	1395340127	2	SPRING, TENSION,
14	190003802451	2	SCHROEF, Hex, M8 x 50, 8.8, , M8x50-8.8
15	43362	2	MOER, M8, CI 10,
16	1188570073	2	VERWISSELBAAR RISTERVOORS,
17	190003920143	2	SPLITPEN, , 2x20,
20	133700340063	2	REM (COMPLEET), , Besteht aus/Consists of/Compose de/Bestående af/È composto da 21 - 23
21	133700340106	8	SCHIJF,
22	133700340107	4	SLUITRING,
23	133700340108	2	DRUKPLAAT,
24	133700330102	2	COVER,
25	190003860177	10	SCHROEF, , M12x35-8.8
30		1	, BREMSGEHÄUSE/BRAKE HOUSING/CARTER DE FREIN - Siehe Kapitel 06/See chapter 06/Voir chapitre 06/Se kapitel 06/Vedere capitolo 06





## 07-09(01) BRAKES FRONT AXLE

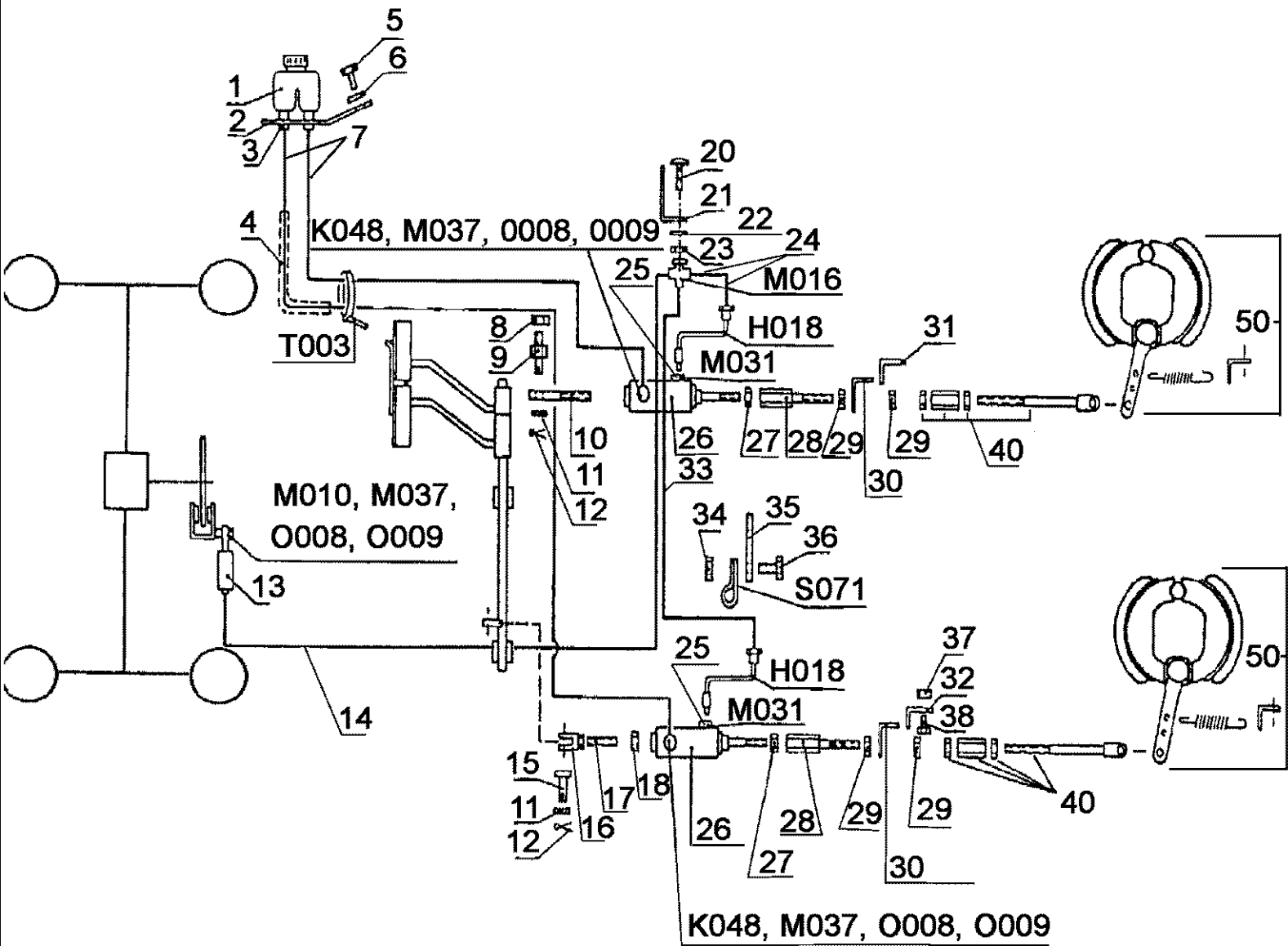
Ref	Onderdeelnummer	Kwt	Beschrijving
1	1-33-141-017	2	PEN, , Ø9,7mm x80mm, Wenn vorhanden/If existing/Si existant
1	1-33-141-019	2	PEN, , Ø9,7mm x45mm, Wenn vorhanden/If existing/Si existant
2	190003171877	2	PLUG, , A10,4x5,5
3	190003802623	4	SCHROEF, , M12x30-10.9
4	1-33-244-001	1	BRAKE, , Siehe nächste Seite(n)/See next page(s)/Voir page(s) suivante(s)/Se næste side (r)/Vedere pagin(a/e) sequent(e/i)
5	1-33-144-001	1	REMSCHIJF,
6	190003862642	8	SCHROEF, , M12x50-10.9
7	1-33-144-010	1	COVER, PROTECTIVE,
8	43151	2	BOUT, Hex, M12 x 20, 8.8, Full Thd, , M12x20-8.8
10		1	, ROHRLEITUNGEN/PIPES/TUYAUTAGE/RØRLEDNINGER/TUBAZIONI - Siehe nächste Seite(n)/See next page(s)/Voir page(s) suivante(s)/Se næste side (r)/Vedere pagin(a/e) sequent(e/i)
11		1	, VORDERACHSTRÄGER / ALLRAD/FRONT AXLE SUPPORT / M.F.D./SUPPORT D'ESSIEU DIRECTEUR / 4 RM./FORAKSELSTØTTE / FIRHJULSTRÆK/SUPPORTO ASSALE ANTERIORE / TRAZIONE INTEGRALE - Siehe Kapitel 05/See chapter 05/Voir chapitre 05/Se kapitel 05/Vedere capitolo 05
12		1	, FLANSCH/FLANGE/FLASQUE, BRIDE/FLANGE/FLANGIA - Siehe Kapitel 05/See chapter 05/Voir chapitre 05/Se kapitel 05/Vedere capitolo 05



955 STEYR TRACTOR (2/92-6/97) - Remmen

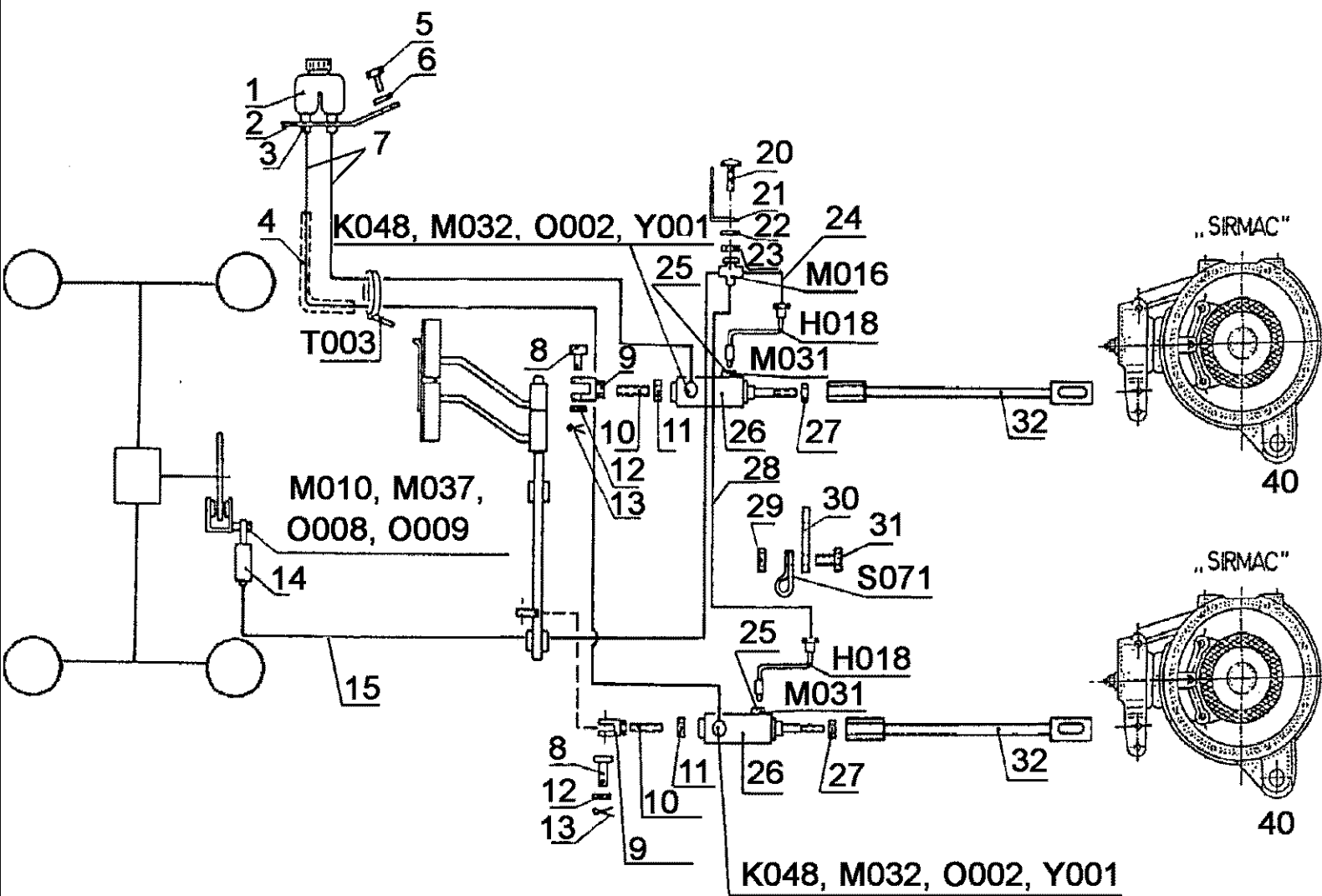
07-10(01) BRAKE CALIPER - DISASSEMBLED

Ref	Onderdeelnummer	Kwt	Beschrijving
A	1-33-244-001	1	BRAKE, , Besteht aus/Consists of/Compose de/Bestående af/È composto da 1 - 7
1	135700440705	1	SET OF PARTS,
2	135700440708	2	SHEET,
3	135700441804	1	LINING, BRAKE, , Ersetzt/Replaces/Remplace/Udskiftet/Sostituisce 135700440704
4	135700440706	1	SET,
5	299963A1	2	DICHTINGSRING, , Mineralölbeständig/Mineral lubricant/Resistant à huile minérale/Modstandsdygtig overfor mineralsk olie/Resistente all'olio minerale
6	135700440707	1	ONTLUCHTER,
7	299964A1	4	SCHROEF,



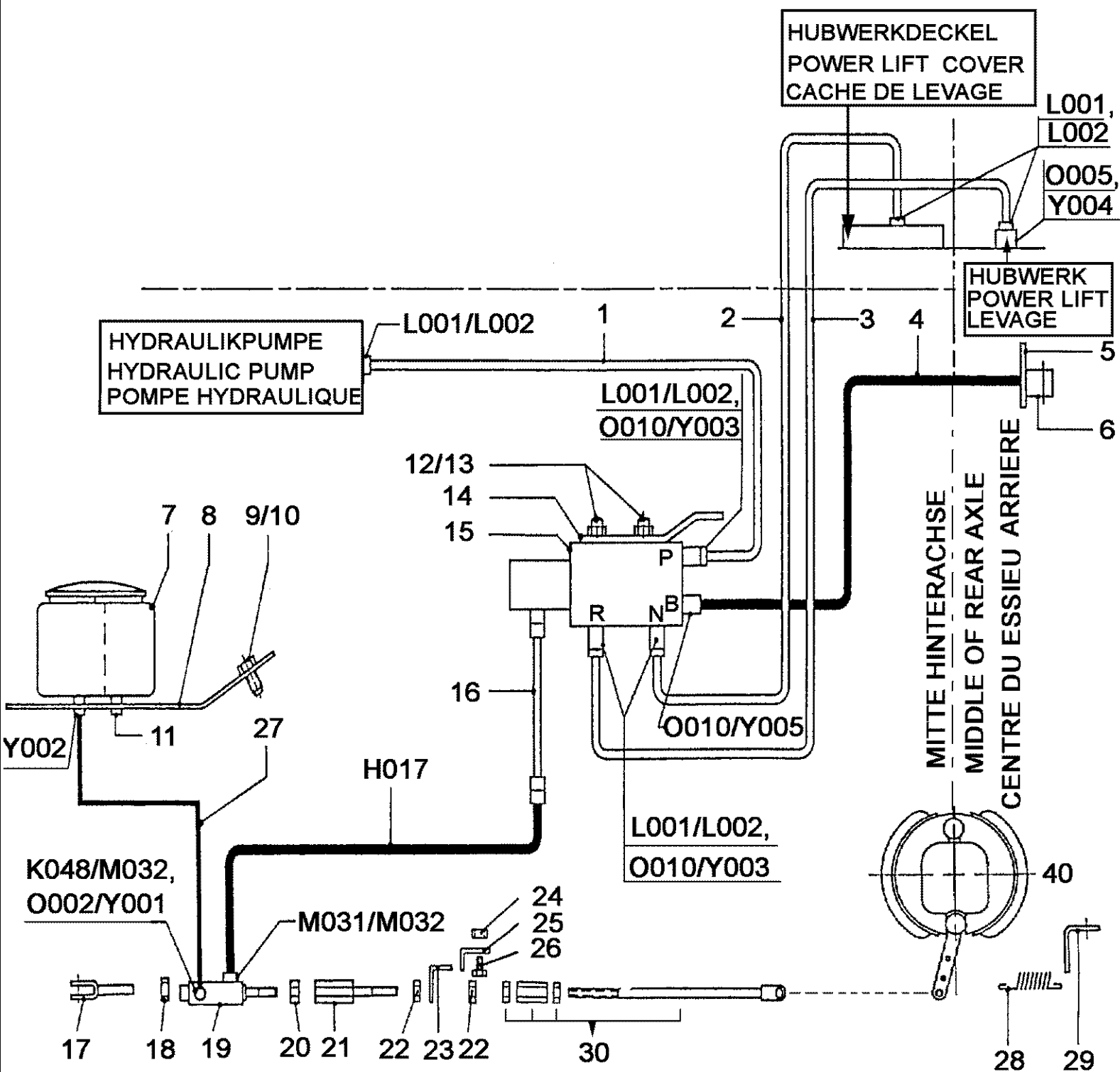
Ref	Onderdeelnummer	Kwt	Beschrijving
1	137700350022	1	CONTAINER, , Siehe nächste Seite(n)/See next page(s)/Voir page(s) suivante(s)/Se næste side(r)/Vedere pagin(a/e) seguent(e/i)
2	1-33-144-015	1	HOEKSTUK,
3	190003129014	2	KABELDOORGANG, , 14x1
4	133700530024	1	FLEXIBELE BUIS, , l=410mm
5	190003802401	1	SCHROEF, , M8x10-8.8-A2C
6	190003930261	1	SLUITRING, , A8,4-140HV-A3C
7	190003179782	2	OPVULPIJP, , 6x1 PA11, l=1150mm
8	100038	1	NUT, LOCK, M12 x 1.75, CI 8,
9	1-33-144-008	1	SCHROEF,
10	1-33-144-007	1	PLAAT, GROOT,
11	190003930282	2	SCHIJF, , A13-140HV-A3C
12	190003920328	2	SPLITPEN, , 4x22-ST-A4C
13	137700350052	1	VALVE,
14	1-33-144-018	1	REMLEIDING,
15	190003903212	1	PIN, LARGE, , 12H11x35x30-ST-A3C
16	190003964448	1	VORK, , G12x24-A3C
17	190003813638	1	TAPEIND, , M12x35-8.8-A3C
18	190003871522	1	MOER, , M12-05-A3C
20	190003834310	1	SCHROEF, , M6x16-MU-A2C
21	1-35-127-010	1	HOEKSTUK,
22	190003930058	1	SCHIJF, , 5,5-A3C
23	15896221	1	MOER, M6, CI 10, , M6-8-A2C, DIN934
24	135700440008	1	REMLEIDING,
25	190003098011	2	DICHTINGSRING, , A10x16-CU
26	133700360053	2	SENSOR, , Siehe nächste Seite(n)/See next page(s)/Voir page(s) suivante(s)/Se næste side(r)/Vedere pagin(a/e) seguent(e/i)
27	190003871313	2	MOER, , M12LH-8-A3C
28	133700360050	2	SLEEVE, TRANSMISSION,
29	190003871301	4	MOER, , M10LH-8-A3C
30	133700730078	2	HOEKSTUK,
31	1-33-144-016	1	HOEKSTUK, , Rechts/Right/Droite/Højre/Destra
32	1-33-144-017	1	HOEKSTUK, , Links/Left/Gauche/Venstre/Sinistro
33	135700440007	1	REMLEIDING,
34	825-1405	1	MOER, M5, CI 8,
35	1288350094	1	VERWISSELBAAR RISTERVOORS,
36	190003802216	1	SCHROEF, , M5x12-8.8.A2C
37	1586230019	1	ROL,
38	190003802634	1	SCHROEF, , M12x40-8.8-A3C

Ref	Onderdeelnummer	Kwt	Beschrijving
40		2	, ZUGSTANGE/DRAWBAR/BARRE DE TRACTION/TRÆKBOM/BARRA DI TRAZIONE - Siehe Seite(n) vorne/See page(s) before/Voir page(s) avant(es)/Se side(r) forrest/Vedere pagin(a/e) precedent(e/i)
50		2	, HINTERRADBREMSE/REAR WHEEL BRAKE/FREIN SUR ROUES ARRIERE/BAGHJULSBREMSE/FRENO RUOTE POSTERIORI - Siehe Seite(n) vorne/See page(s) before/Voir page(s) avant(es)/Se side(r) forrest/Vedere pagin(a/e) precedent(e/i)

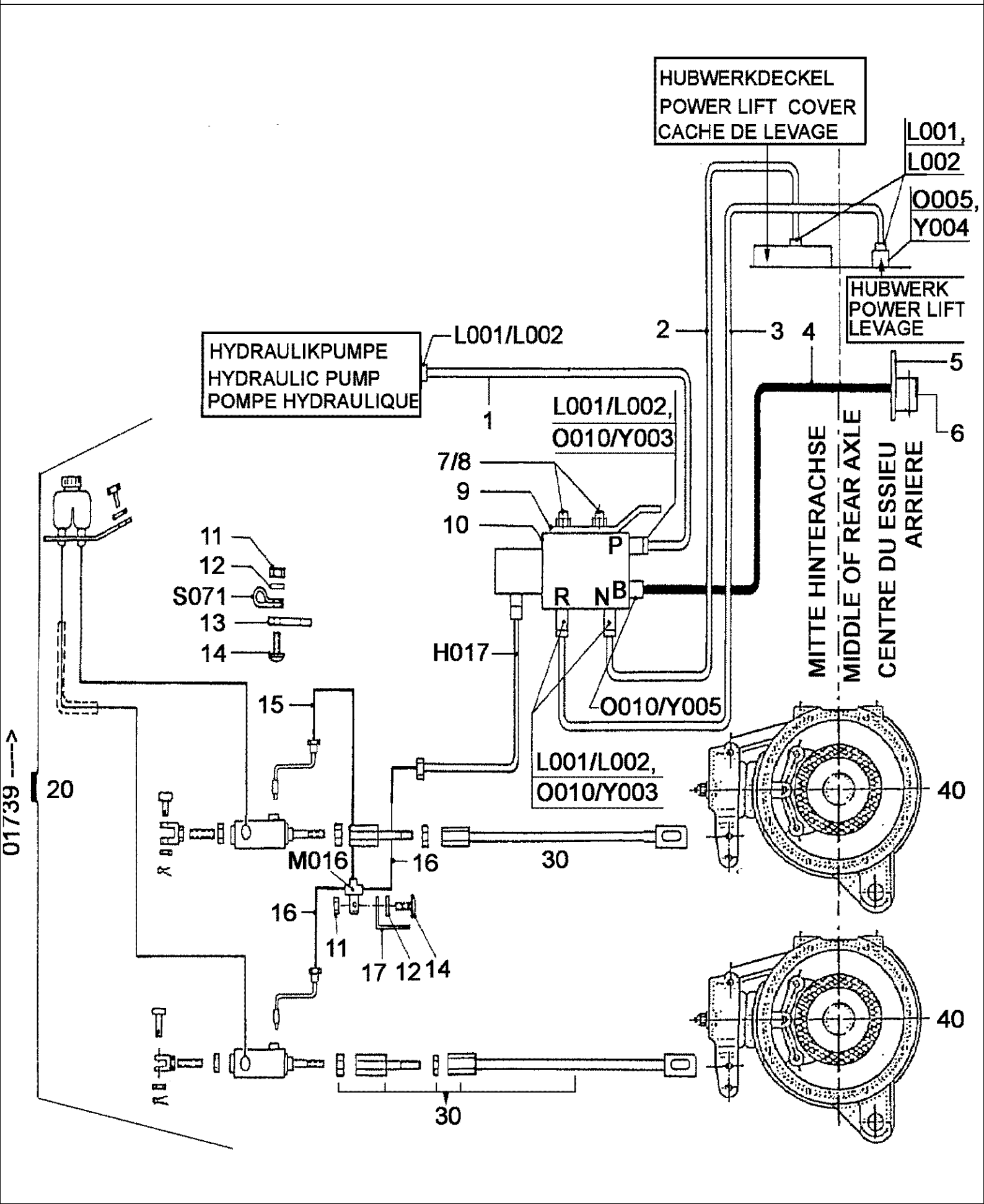


Ref	Onderdeelnummer	Kwt	Beschrijving
1	137700350022	1	CONTAINER, , Siehe nächste Seite(n)/See next page(s)/Voir page(s) suivante(s)/Se næste side(r)/Vedere pagin(a/e) sequent(e/i)
2	1-33-144-015	1	HOEKSTUK,
3	190003129014	1	KABELDOORGANG, , 14x1
4	133700530024	1	FLEXIBELE BUIS, , l=410mm
5	190003802401	1	SCHROEF, , M8x10-8.8-A2C
6	190003930261	1	SLUITRING, , A8,4-140HV-A3C
7	190003179782	2	OPVULPIJP, , 6x1, PA11, l=1150mm
8	190003903212	2	PIN, LARGE, , 12H11x35x30-ST-A3C
9	190003964448	2	VORK, , G12x24-A3C
10	190003813638	2	TAPEIND, , M12x35-8.8-A3C
11	190003871522	2	MOER, , M12-05-A3C
12	190003930282	2	SCHIJF, , A13-140HV-A3C
13	190003920328	2	SPLITPEN, , 4x22-ST-A4C
14	137700350052	1	VALVE,
15	1-33-144-018	1	REMLEIDING,
20	190003834310	1	SCHROEF, , M6x16-MU-A2C
21	1-35-127-010	1	HOEKSTUK,
22	190003930058	1	SCHIJF, , 5,5-A3C
23	15896221	1	MOER, M6, CI 10, , M6-8-A2C, DIN934
24	135700440008	1	REMLEIDING,
25	190003098011	2	DICHTINGSRING,
26	1-33-136-023	2	ZENDER, , Siehe nächste Seite(n)/See next page(s)/Voir page(s) suivante(s)/Se næste side(r)/Vedere pagin(a/e) sequent(e/i)
27	190003871313	3	MOER, , M12LH-8-A3C
28	135700440007	1	REMLEIDING,
29	825-1405	1	MOER, M5, CI 8,
30	1288350094	1	VERWISSELBAAR RISTERVOORS,
31	190003802216	1	SCHROEF, , M12-8.8-A2C
32	1-33-135-045	2	STANG,
40		2	, HINTERRADBREMSE/REAR WHEEL BRAKE/FREIN SUR ROUES ARRIERE/BAGHJULSBREMSE/FRENO RUOTE POSTERIORI - Siehe Seite(n) vorne/See page(s) before/Voir page(s) avant(es)/Se side(r) forrest/Vedere pagin(a/e) precedent(e/i))

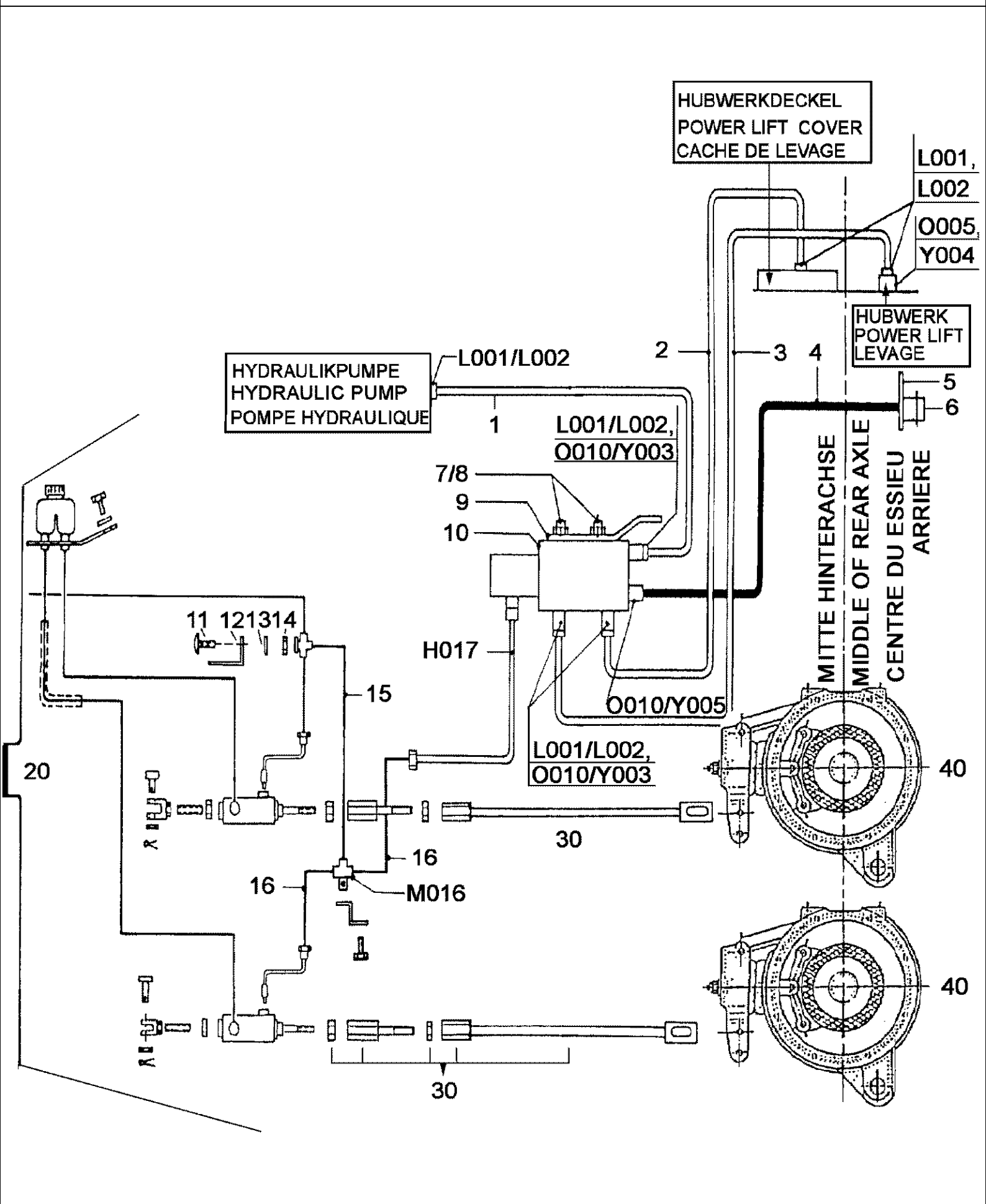




Ref	Onderdeelnummer	Kwt	Beschrijving
1	1-33-135-025	1	DRUKLEIDING,
2	1-33-135-026	1	DRUKLEIDING,
3	1-33-135-031	1	TUBE ASSY.,
4	133700470189	1	FLEXIBELE BUIS,
5	1-33-135-118	1	HOEKSTUK,
6	137700350043	1	SNELKOPPELING,
7	137700350022	1	CONTAINER, , Siehe nächste Seite(n)/See next page(s)/Voir page(s) suivante(s)/Se næste side(r)/Vedere pagin(a/e) sequent(e/i)
8	1-33-144-015	1	HOEKSTUK,
9	190003802401	1	SCHROEF, , M8x10-8.8-A2C
10	896-11008	1	SLUITRING, M8 x 17.5 x 2, HT, , 8,4-140HV-A3C
11	190003911416	1	KLINKNAGEL, , 6x16-ST
12	190003802466	2	SCHROEF, , M8x65-8.8-A2C
13	43362	2	MOER, M8, CI 10,
14	1-33-135-032	1	GUIDE, LEVERS,
15	133700350205	1	VALVE, BRAKE, , Siehe nächste Seite(n)/See next page(s)/Voir page(s) suivante(s)/Se næste side(r)/Vedere pagin(a/e) sequent(e/i)
16	135700440008	1	REMLEIDING,
17	133700360052	1	STANG,
18	337475	1	MOER, M12, CI 10,
19	1-33-136-023	1	ZENDER, , Siehe nächste Seite(n)/See next page(s)/Voir page(s) suivante(s)/Se næste side(r)/Vedere pagin(a/e) sequent(e/i)
20	190003871313	1	MOER, , M12LH-8-A3C
21	133700360050	1	SLEEVE, TRANSMISSION,
22	190003871301	2	MOER, , M10LH-8-A3C
23	133700730078	1	HOEKSTUK,
24	1586230019	1	ROL,
25	1-33-144-017	1	HOEKSTUK,
26	190003802642	1	SCHROEF, , M12x45-8.8-A3C
27	190003179782	2	OPVULPIJP, , 6x1-PA11, l=1150mm
28	1680570027	1	VEER,
29	1-33-135-096	1	HOEKSTUK,
30		2	, ZUGSTANGE/DRAWBAR/BARRE DE TRACTION/TRÆKBOM/BARRA DI TRAZIONE - Siehe Seite(n) vorne/See page(s) before/Voir page(s) avant(es)/Se side(r) forrest/Vedere pagin(a/e) precedent(e/i)
40		2	, HINTERRADBREMSE/REAR WHEEL BRAKE/FREIN SUR ROUES ARRIERE/BAGHJULSBREMSE/FRENO RUOTE POSTERIORI - Siehe Seite(n) vorne/See page(s) before/Voir page(s) avant(es)/Se side(r) forrest/Vedere pagin(a/e) precedent(e/i)

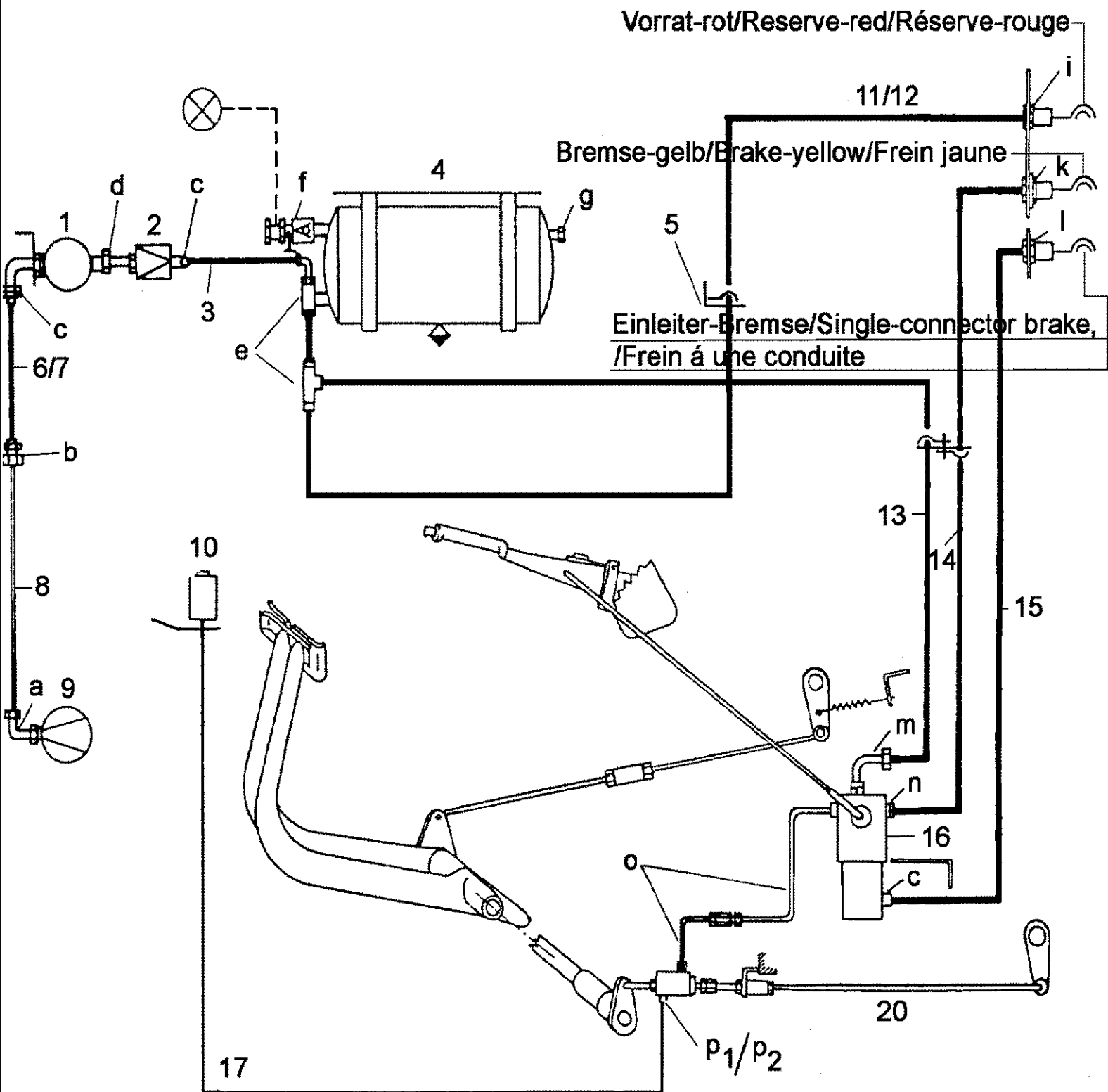


Ref	Onderdeelnummer	Kwt	Beschrijving
1	1-33-135-025	1	DRUKLEIDING,
2	1-33-135-026	1	DRUKLEIDING,
3	1-33-135-031	1	TUBE ASSY.,
4	133700470189	1	FLEXIBELE BUIS,
5	1-33-135-118	1	HOEKSTUK,
6	137700350043	1	SNELKOPPELING,
7	190003802466	2	SCHROEF, , M8x65-8.8-A2C
8	825-1408	2	MOER, M8, CI 8,
9	1-33-135-032	1	GUIDE, LEVERS,
10	1-33-135-119	1	VALVE, BRAKE, , Ersetzt/Replaces/Remplace/Udskiftet/Sostituisce 1-33-135-318 - Siehe nächste Seite(n)/See next page(s)/Voir page(s) suivante(s)/Se næste side(r)/Vedere pagin(a/e) sequent(e/i)-135-318
11	15896221	2	MOER, M6, CI 10, , M6-8-A2C, DIN934
12	190003930058	2	SCHIJF, , 5,5-A3C
13	1288350094	1	VERWISSELBAAR RISTERVOORS,
14	190003834310	2	SCHROEF, , M6x16-MU-A2C
15	135700440007	1	REMLEIDING,
16	135700440008	2	REMLEIDING,
17	1-35-127-010	1	HOEKSTUK,
20		1	, ROHRLEITUNGSPLAN/PIPINGS DIAGRAM/PLAN TUYAUTAGE/RØRLEDNINGSPPLAN/SCHEMA DELLE TUBAZIONI 01739 ----> - Siehe Seite(n) vorne/See page(s) before/Voir page(s) avant(es)/Se side(r) forrest/Vedere pagin(a/e) precedent(e/i)
30		2	, ZUGSTANGE/DRAWBAR/BARRE DE TRACTION/TRÆKBOM/BARRA DI TRAZIONE - Siehe Seite(n) vorne/See page(s) before/Voir page(s) avant(es)/Se side(r) forrest/Vedere pagin(a/e) precedent(e/i)
40		2	, HINTERRADBREMSE/REAR WHEEL BRAKE/FREIN SUR ROUES ARRIERE/BAGHJULSBREMSE/FRENO RUOTE POSTERIORI - Siehe Seite(n) vorne/See page(s) before/Voir page(s) avant(es)/Se side(r) forrest/Vedere pagin(a/e) precedent(e/i)



## 07-15(01) PIPING DIAGRAM FOR HYDRAULIC TRAILER BRAKE WITH CARDAN SHAFT (VAAST)BRAKE

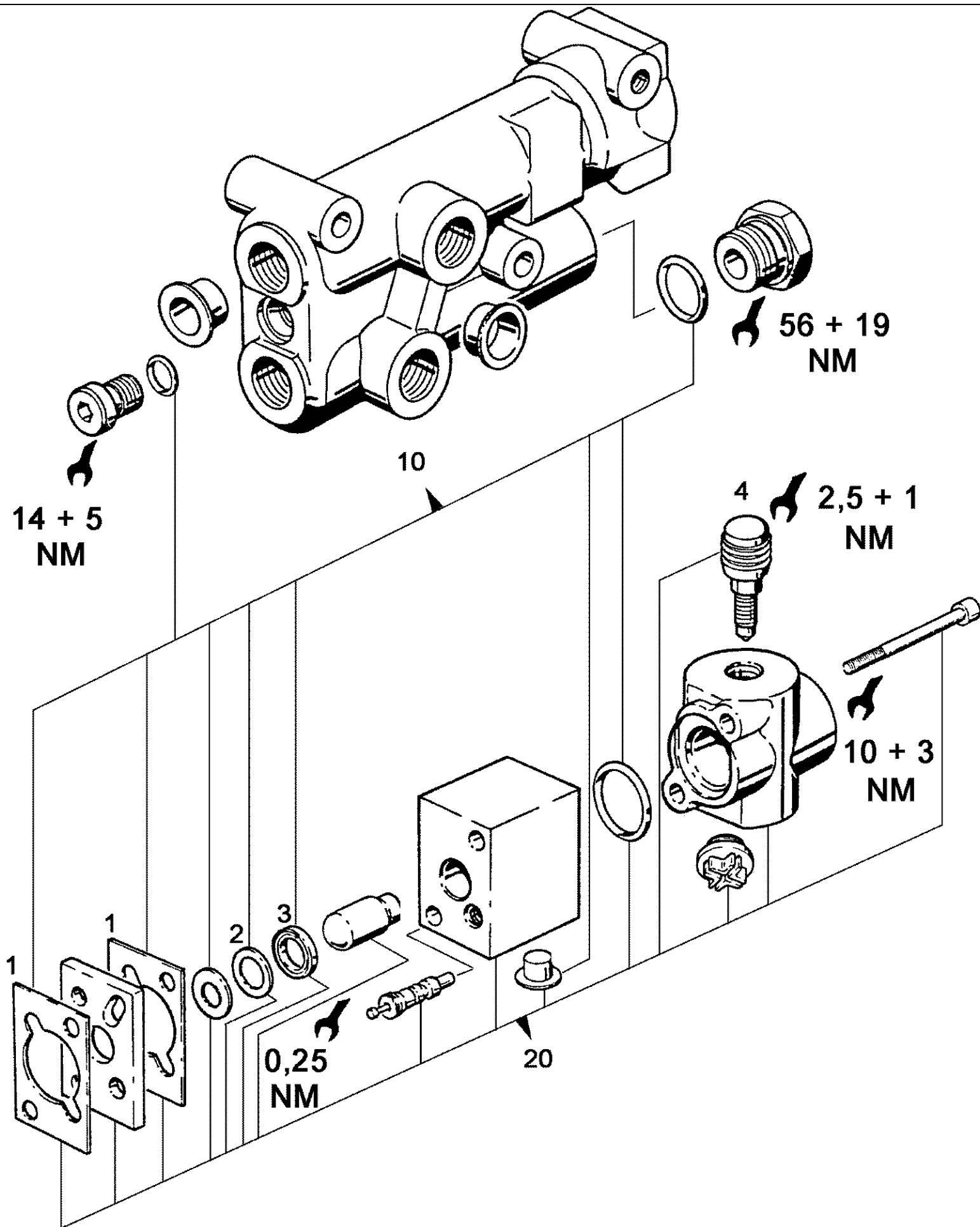
Ref	Onderdeelnummer	Kwt	Beschrijving
1	1-33-135-025	1	DRUKLEIDING,
2	1-33-135-026	1	DRUKLEIDING,
3	1-33-135-031	1	TUBE ASSY.,
4	133700470189	1	FLEXIBELE BUIS,
5	1-33-135-118	1	HOEKSTUK,
6	137700350043	1	SNELKOPPELING,
7	190003802466	2	SCHROEF, , M8x65-8.8-A2C
8	825-1408	2	MOER, M8, CI 8,
9	1-33-135-032	1	GUIDE, LEVERS,
10	1-33-135-034	1	VALVE, BRAKE, , Siehe nächste Seite(n)/See next page(s)/Voir page(s) suivante(s)/Se næste side(r)/Vedere pagin(a/e) sequent(e/i)
11	190003834310	1	SCHROEF, , M6x16-MU-A2C
12	1-35-127-010	1	HOEKSTUK,
13	190003930058	1	SCHIJF, , 5,5-A3C
14	15896221	1	MOER, M6, CI 10, , M6-8-A2C, DIN934
15	135700440007	1	REMLEIDING,
16	135700440008	2	REMLEIDING,
20		1	, ROHRLEITUNGSPLAN/PIPINGS DIAGRAM/PLAN TUYAUTAGE/RØRLEDNINGSP/LAN/SCHEMA DELLE TUBAZIONI / ----> 01738/ 01739 ---->/ - Siehe Seite(n) vorne/See page(s) before/Voir page(s) avant(es)/Se side(r) forrest/Vedere pagin(a/e) precedent(e/i)
30		2	, ZUGSTANGE/DRAWBAR/BARRE DE TRACTION/TRÆKBOM/BARRA DI TRAZIONE - Siehe Seite(n) vorne/See page(s) before/Voir page(s) avant(es)/Se side(r) forrest/Vedere pagin(a/e) precedent(e/i)
40		2	, HINTERRADBREMSE/REAR WHEEL BRAKE/FREIN SUR ROUES ARRIERE/BAGHJULSBREMSE/FRENO RUOTE POSTERIORI - Siehe Seite(n) vorne/See page(s) before/Voir page(s) avant(es)/Se side(r) forrest/Vedere pagin(a/e) precedent(e/i)



## 07-16(01) PIPING DIAGRAM FOR COMBINED ONE-LINE AND TWO-LINES BRAKE SYSTEM

Ref	Onderdeelnummer	Kwt	Beschrijving
1	1-33-136-006	1	REGELAAR, , Siehe nächste Seite(n)/See next page(s)/Voir page(s) suivante(s)/Se næste side(r)/Vedere pagin(a/e) sequent(e/i)
2	1-33-136-004	1	PUMP, , Wahlweise/Optional/En option/Efter valg/A scelta - Siehe nächste Seite(n)/See next page(s)/Voir page(s) suivante(s)/Se næste side(r)/Vedere pagin(a/e) sequent(e/i)
2	1-33-136-009	1	PUMP, , Wahlweise/Optional/En option/Efter valg/A scelta - Siehe nächste Seite(n)/See next page(s)/Voir page(s) suivante(s)/Se næste side(r)/Vedere pagin(a/e) sequent(e/i)
3	190003179785	1	FLEXIBELE SLANG, , l=700mm
4	190003559087	1	TANK AIR, , ----> 01738, 246 Ø - Siehe nächste Seite(n)/See next page(s)/Voir page(s) suivante(s)/Se næste side(r)/Vedere pagin(a/e) sequent(e/i)
4	190003559090	1	TANK AIR, , 01739 ---->, 206 Ø - Siehe nächste Seite(n)/See next page(s)/Voir page(s) suivante(s)/Se næste side(r)/Vedere pagin(a/e) sequent(e/i)
5		1	, SCHELLE/CLAMP/COLLIER/KLEMME/COLLARE, Siehe nächste Seite(n)/See next page(s)/Voir page(s) suivante(s)/Se næste side(r)/Vedere pagin(a/e) sequent(e/i)
6	190003179785	1	FLEXIBELE SLANG, , l=350mm, ----> 01738
7	190003179785	1	FLEXIBELE SLANG, , l=840mm, 01739 ---->
8	1-33-136-014	1	LEIDING,
9	130100130045	1	COMPRESSOR, , Wahlweise/Optional/En option/Efter valg/A scelta - Siehe Kapitel 02/See chapter 02/Voir chapitre 02/Se kapitel 02/Vedere capitolo 02
9	130100130046	1	COMPRESSOR, , Wahlweise/Optional/En option/Efter valg/A scelta - Siehe Kapitel 02/See chapter 02/Voir chapitre 02/Se kapitel 02/Vedere capitolo 02
10	137700350022	1	CONTAINER, , Siehe nächste Seite(n)/See next page(s)/Voir page(s) suivante(s)/Se næste side(r)/Vedere pagin(a/e) sequent(e/i)
11	190003179785	1	FLEXIBELE SLANG, , l=1050mm, ----> 01738
12	190003179785	1	FLEXIBELE SLANG, , l=1250mm, 01739 ---->
13	190003179785	1	FLEXIBELE SLANG, , l=1690mm
14	190003179785	1	FLEXIBELE SLANG, , l=480mm
15	190003179785	1	FLEXIBELE SLANG, , l=760mm
16	1397350192	1	BEDIENING, , ----> 01738, Siehe nächste Seite(n)/See next page(s)/Voir page(s) suivante(s)/Se næste side(r)/Vedere pagin(a/e) sequent(e/i)
16	1-33-136-061	1	VALVE, BRAKE, , 01739 ---->, Siehe nächste Seite(n)/See next page(s)/Voir page(s) suivante(s)/Se næste side(r)/Vedere pagin(a/e) sequent(e/i)
20		2	, ZUGSTANGE/DRAWBAR/BARRE DE TRACTION/TRÆKBOM/BARRA DI TRAZIONE - Siehe Seite(n) vorne/See page(s) before/Voir page(s) avant(es)/Se side(r) forrest/Vedere pagin(a/e) precedent(e/i)

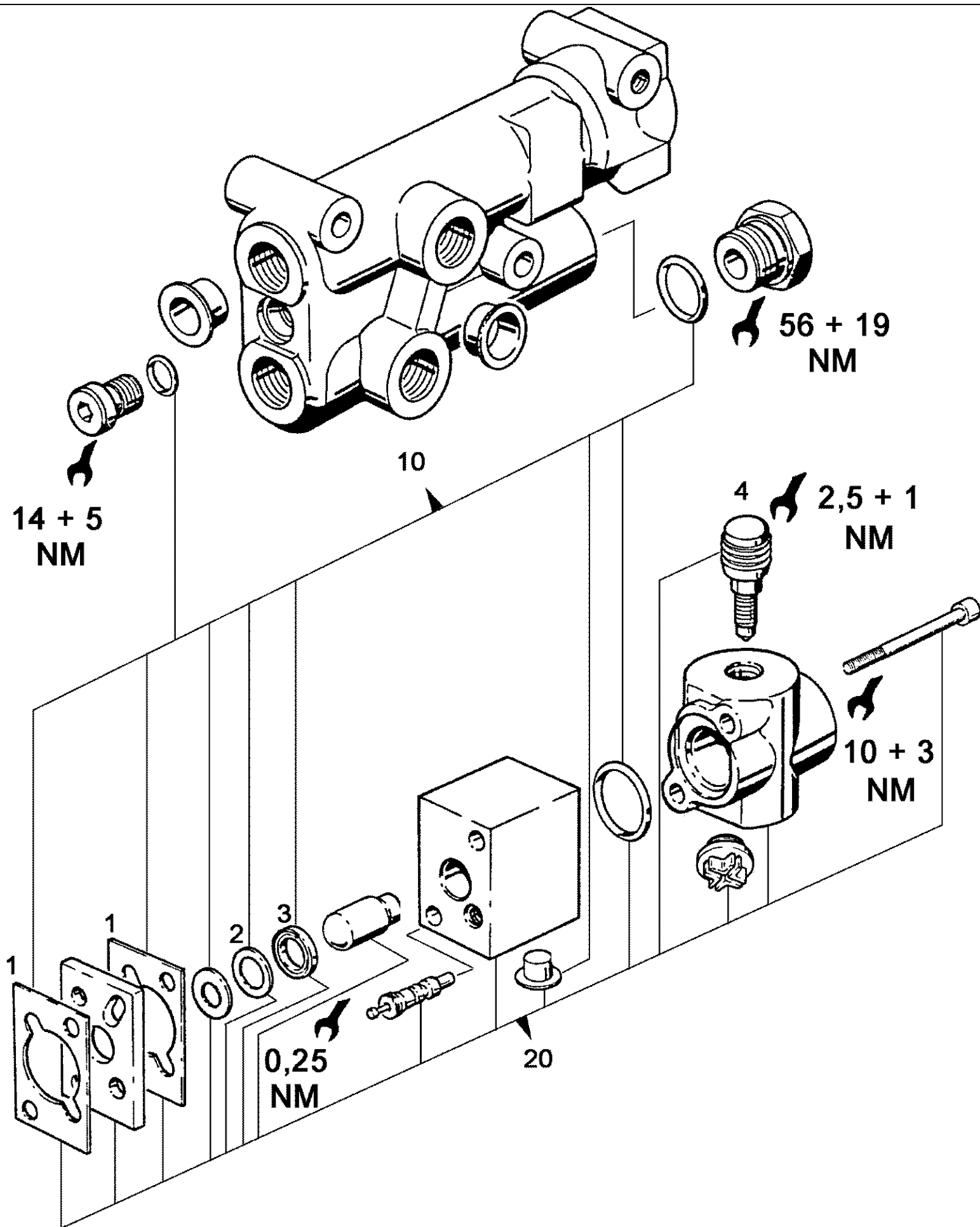




955 STEYR TRACTOR (2/92-6/97) - Remmen

07-17(01) BRAKE VALVE DISASSEMBLED

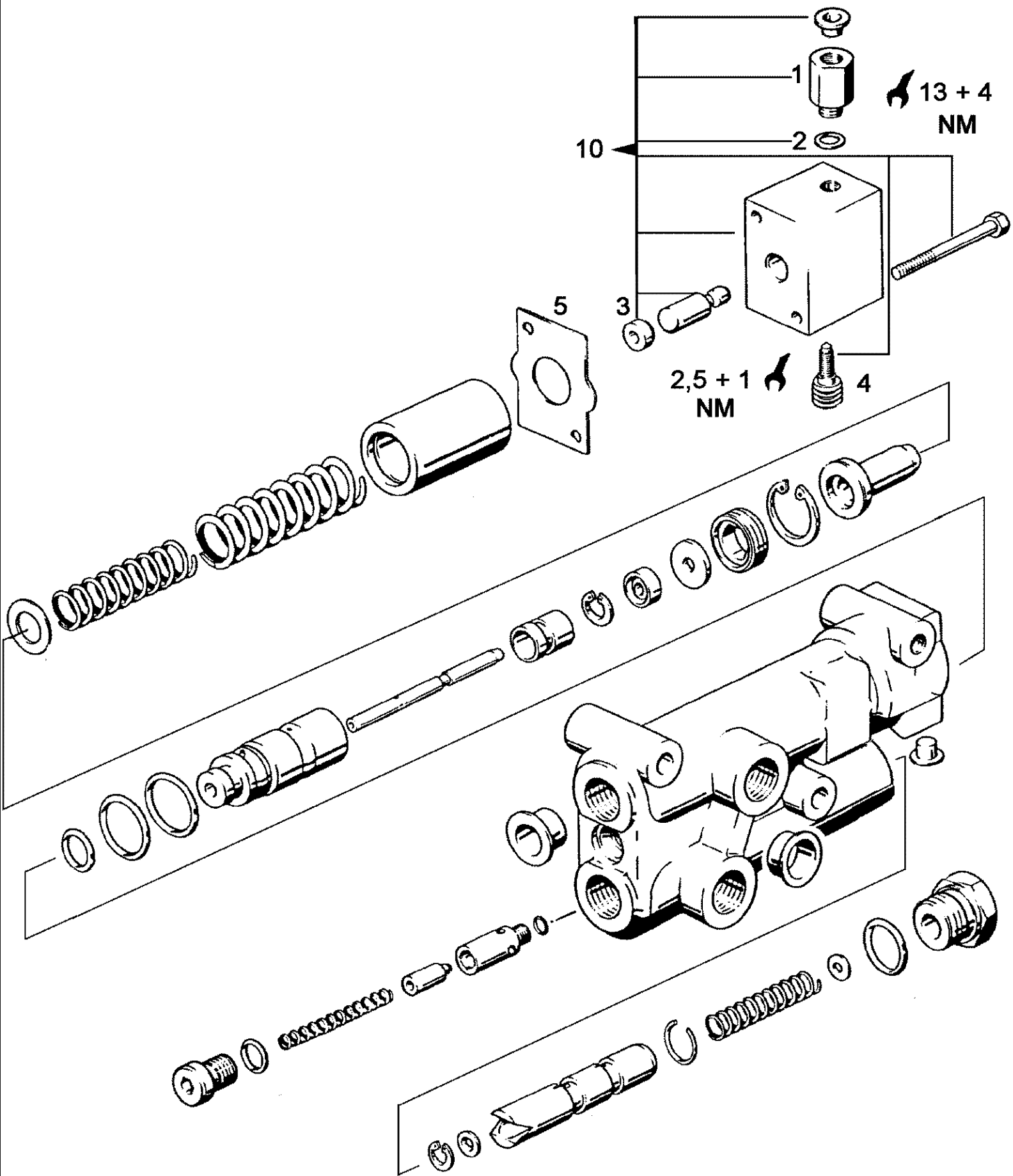
Ref	Onderdeelnummer	Kwt	Beschrijving
-	1-33-135-034	1	VALVE, BRAKE,
1	137700350804	2	DICHTINGSSTUK,
2	1-33-735-006	1	RESERVERING,
3	1-33-735-003	1	MOER,
4	137700350801	1	VALVE,
10	1-33-735-008	1	KIT, GASKET,
20	1-33-735-009	1	SET OF PARTS,



955 STEYR TRACTOR (2/92-6/97) - Remmen

07-18(01) BRAKE VALVE DISASSEMBLED

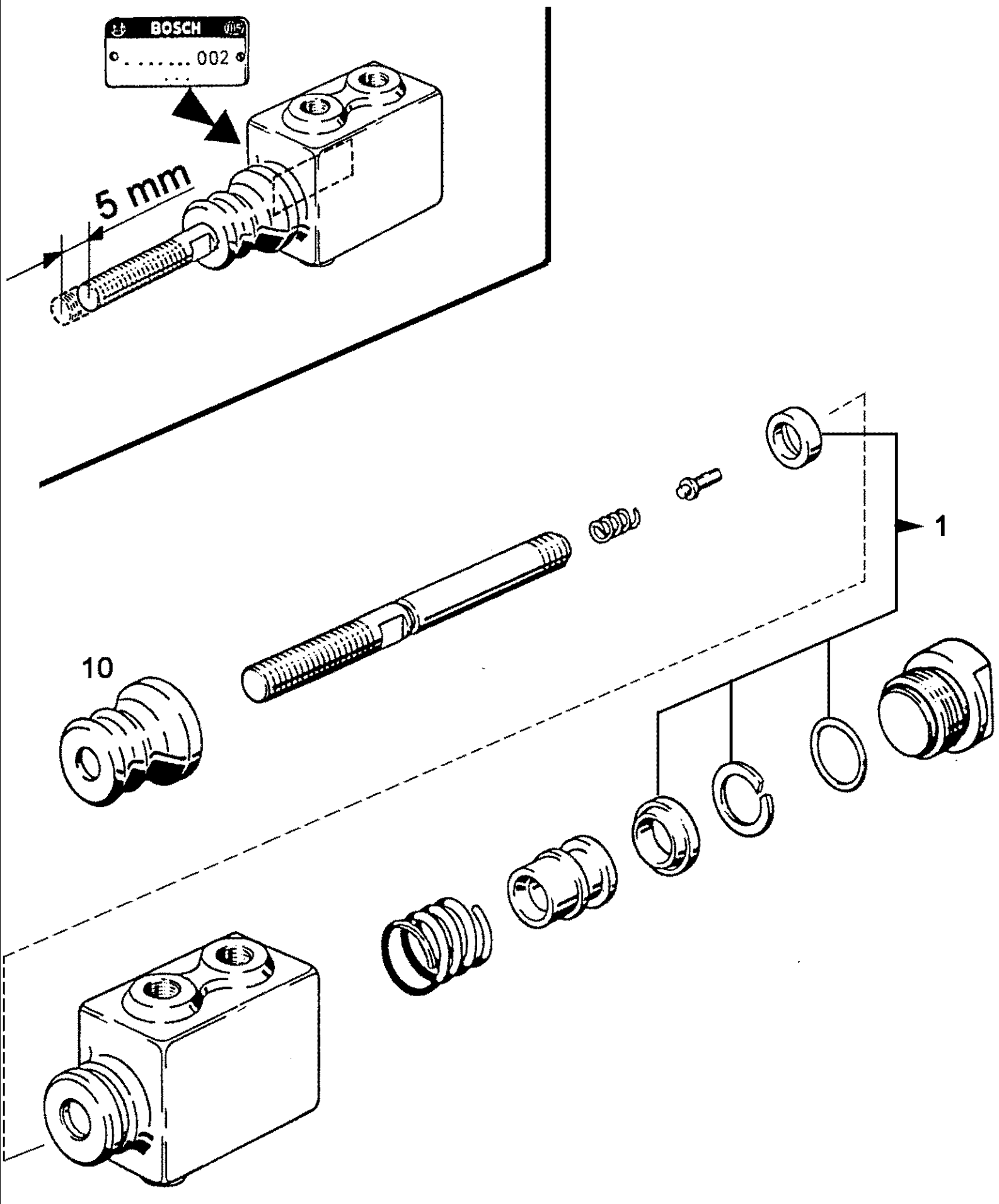
Ref	Onderdeelnummer	Kwt	Beschrijving
-	1-33-135-119	1	VALVE, BRAKE,
1	137700350804	2	DICHTINGSSTUK,
2	137700350805	1	KIT, GASKET,
3	1-33-735-005	1	DRAAGFLENS VOOR AFDICHTIN,
4	137700350801	1	VALVE,
10	1-33-735-010	1	KIT, GASKET,
20	1-33-735-011	1	SET OF PARTS,



955 STEYR TRACTOR (2/92-6/97) - Remmen

07-19(01) BRAKE VALVE DISASSEMBLED

Ref	Onderdeelnummer	Kwt	Beschrijving
-	133700350205	1	VALVE, BRAKE,
1	1295350703	1	FITTING,
2	190003098010	1	DICHTINGSRING, , A10x13,5-CU
3	1295350706	1	MOER,
4	3147107R1	1	ONTLUCHTER,
5	1295350705	1	DICHTINGSSTUK,
10	133700350802	1	SET OF PARTS, , 14 Ø - Ersetzt/Replaces/Remplace/Udskiftet/Sostituisce 133700350702

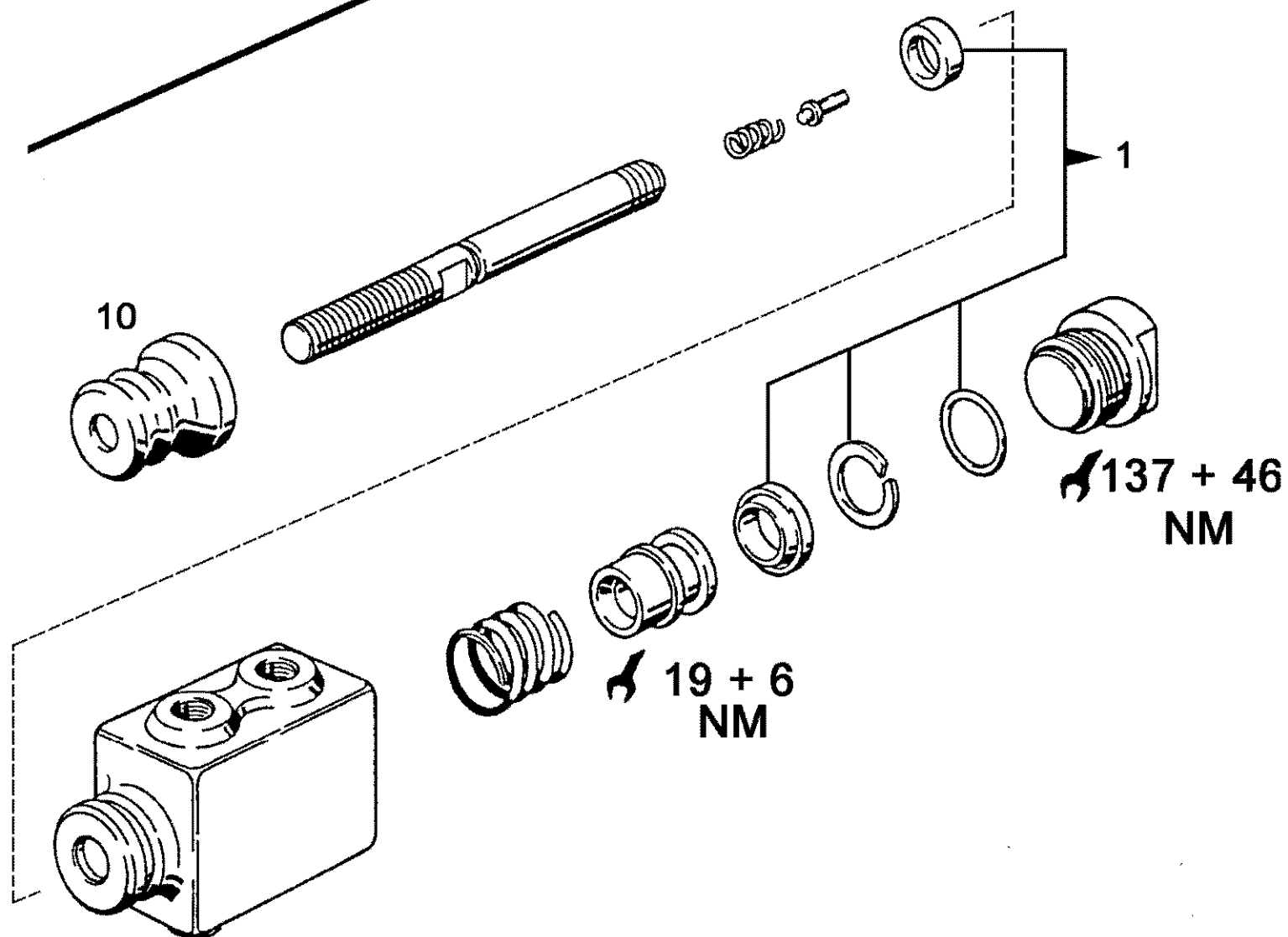
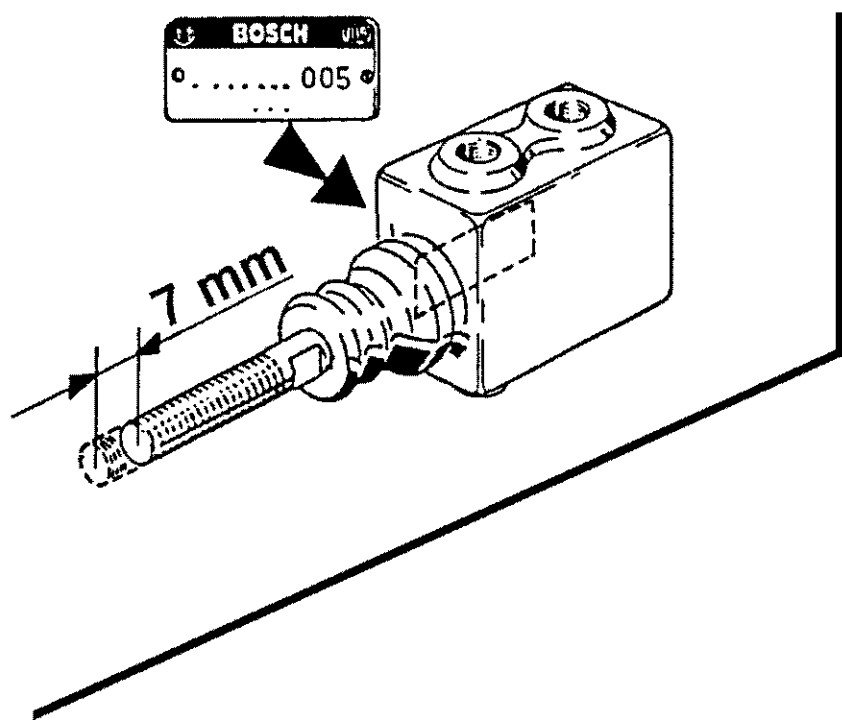


955 STEYR TRACTOR (2/92-6/97) - Remmen

07-20(01) PRESSURE GENERATOR DISASSEMBLED

Ref	Onderdeelnummer	Kwt	Beschrijving
-	133700360053	1	SENSOR,
1	133700360710	1	SET,
10	133700360709	1	BLAASBALG,

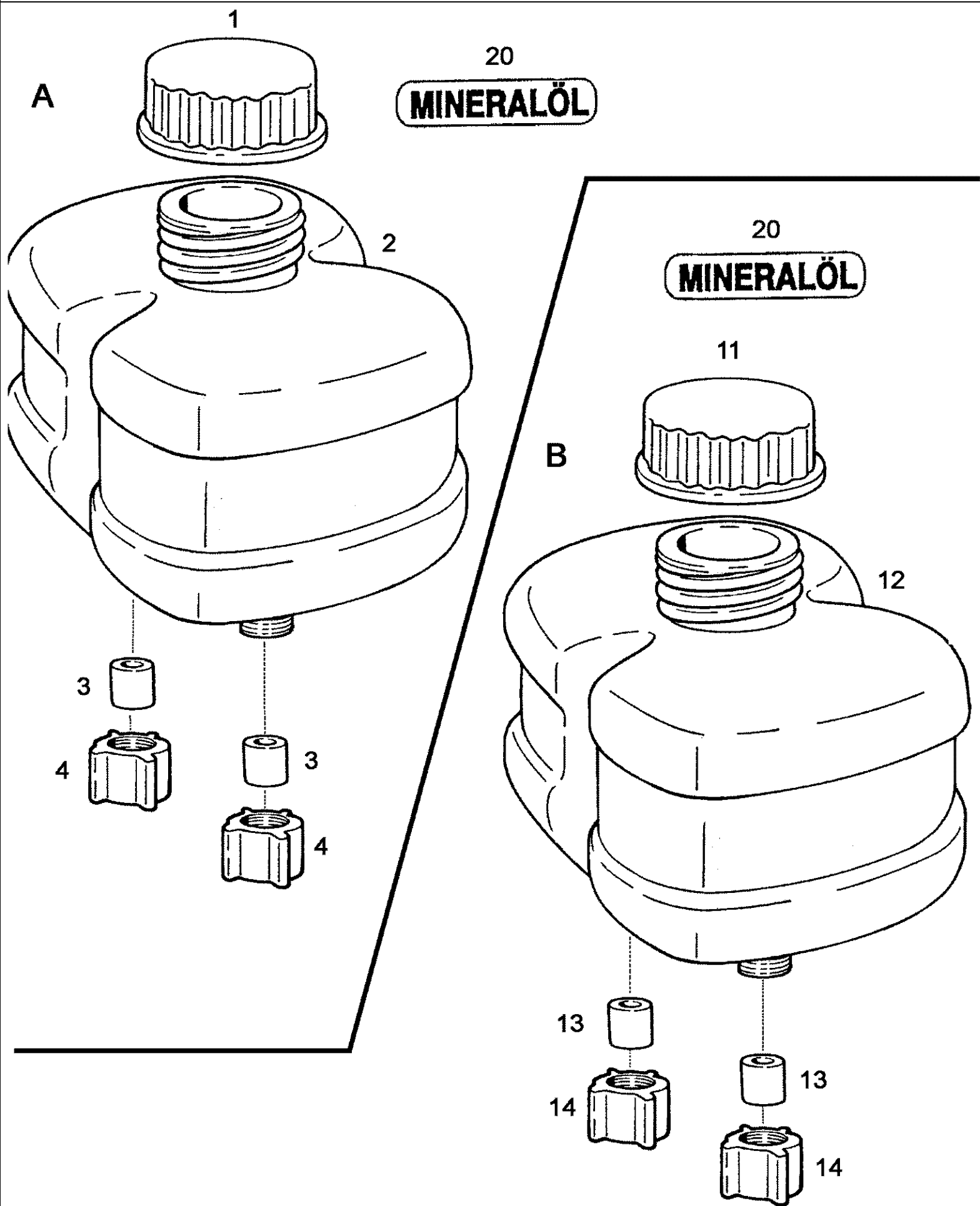




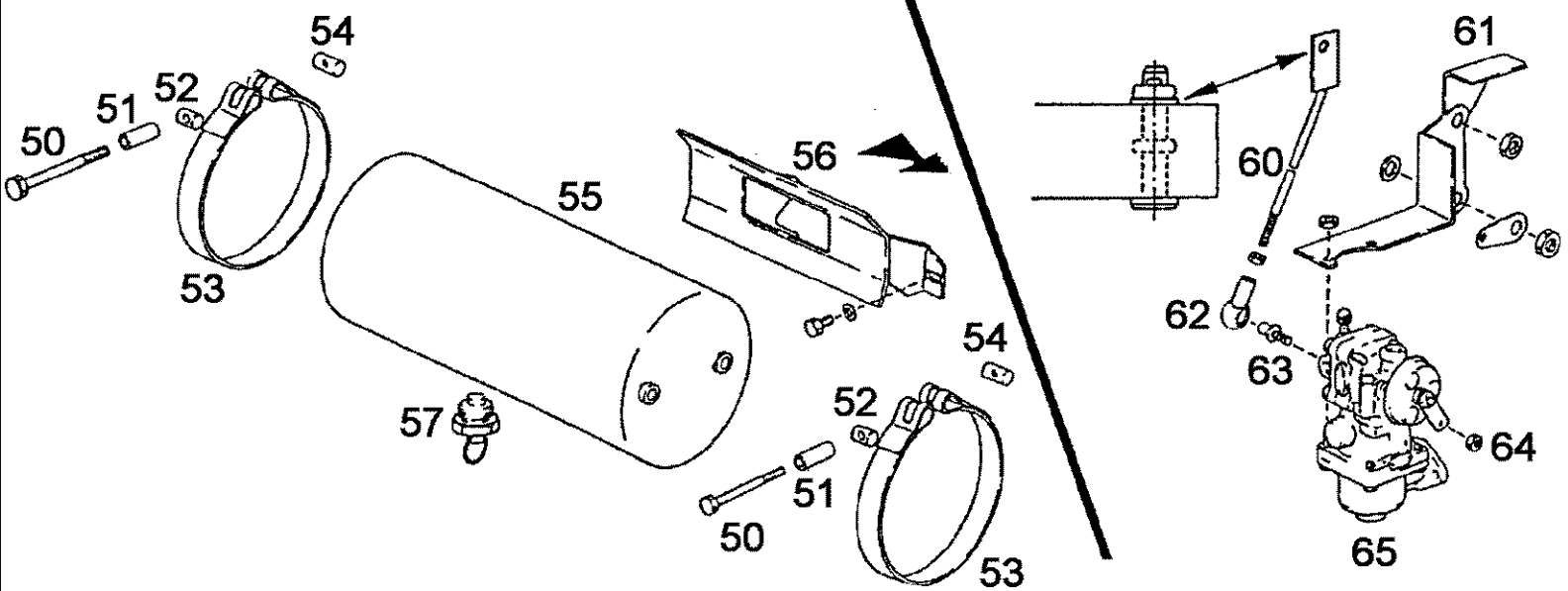
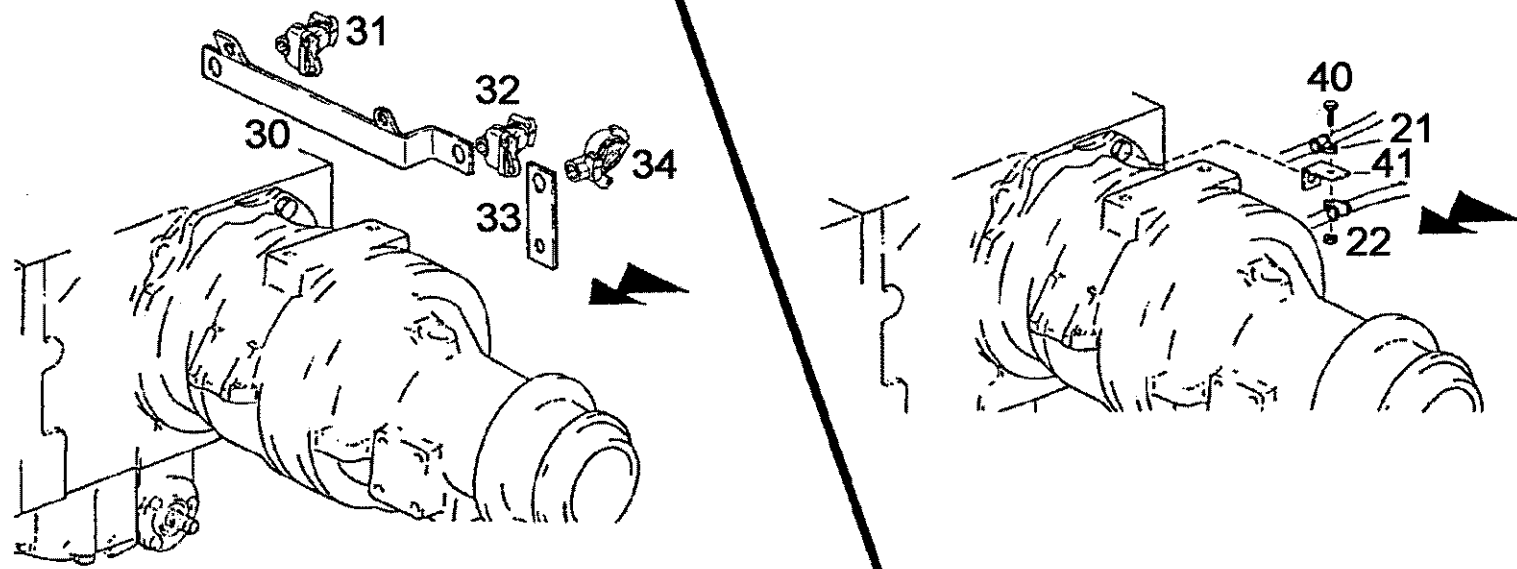
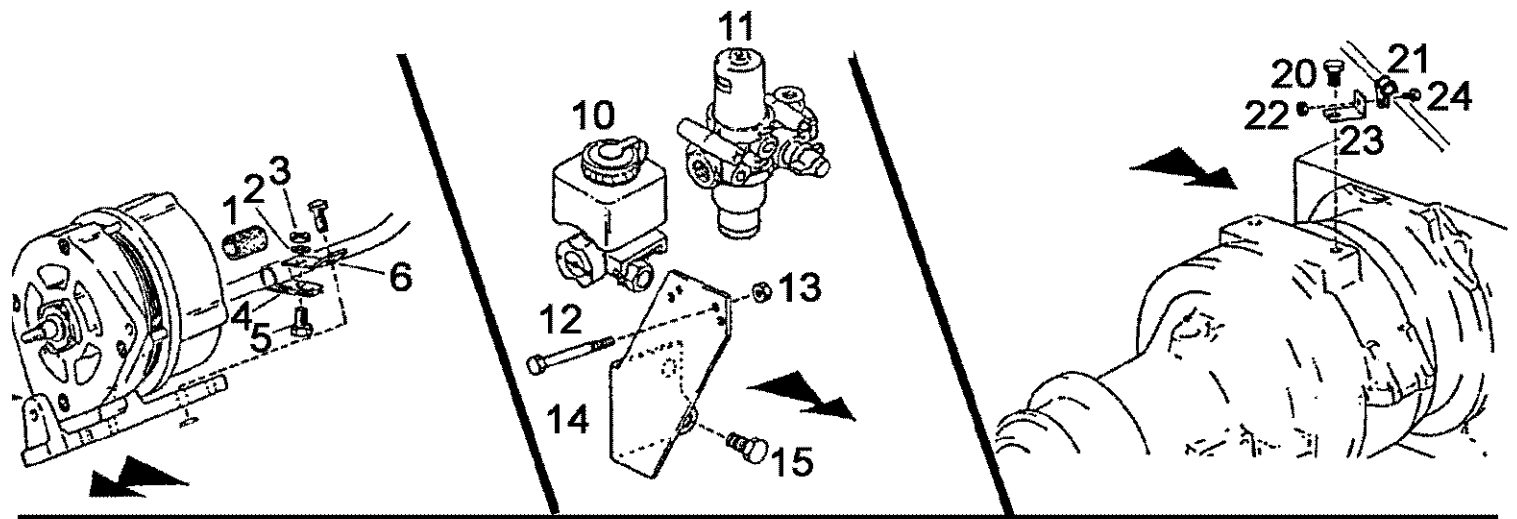
955 STEYR TRACTOR (2/92-6/97) - Remmen

07-21(01) PRESSURE GENERATOR DISASSEMBLED

Ref	Onderdeelnummer	Kwt	Beschrijving
-	1-33-136-023	1	ZENDER,
1	133700360710	1	SET,
10	133700360709	1	BLAASBALG,
11	1-33-736-001	1	VALVE,



Ref	Onderdeelnummer	Kwt	Beschrijving
A	137700350022	1	CONTAINER, , Besteht aus/Consists of/Compose de/Bestående af/È composto da 1 - 4
B	1-33-135-200	1	RESERVOIR, BRAKE FLUID, , Besteht aus/Consists of/Compose de/Bestående af/È composto da 11 - 14 - Ersetzt/Replaces/Remplace/Udskiftet/Sostituisce 137700350022
1	137700350039	1	CAP, FILLER, , Schwarz/Black/Noir/Sort/Nero
2	NSS	1	NIET ALLEEN VERKRIJGBAAR,
3	137700350040	2	PLUG,
4	137700350036	2	NUT, LOCK, , Grün/Green/Vert/Grøn/Verde
11	340661A1	1	CAP, FILLER,
12	NSS	1	NIET ALLEEN VERKRIJGBAAR,
13	1-33-135-210	2	PLUG,
14	NSS	2	NIET ALLEEN VERKRIJGBAAR,
20	1-33-135-050	1	DECAL,

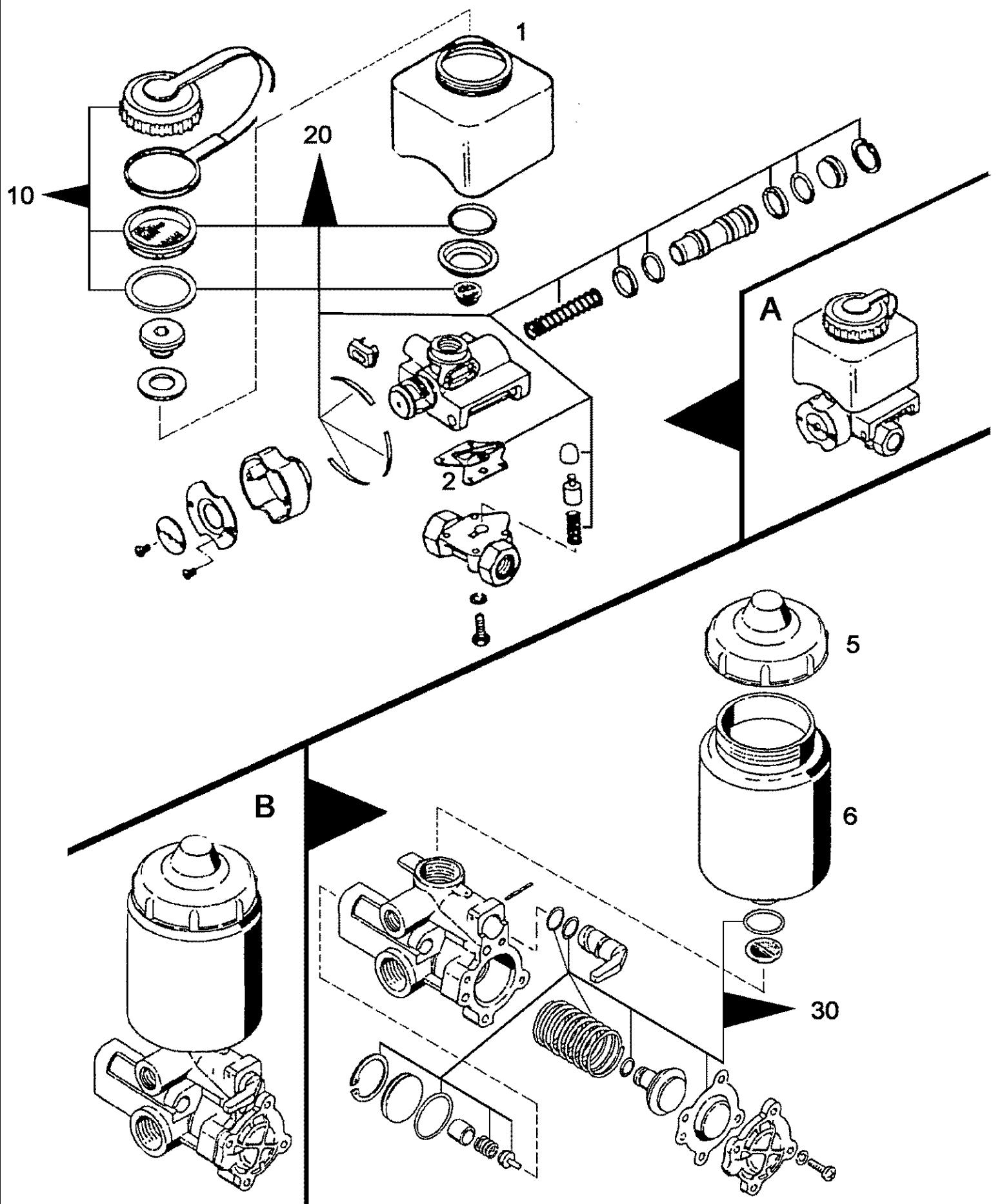


## 07-23(01) BRAKE UNITS FOR COMBINED ONE-LINE AND TWO-LINES BRAKE SYSTEM

Ref	Onderdeelnummer	Kwt	Beschrijving
1	190003489250	1	FLEXIBELE BUIS, , l=40mm
2	896-11008	1	SLUITRING, M8 x 17.5 x 2, HT, , A8,4.140HV-A3C
3	825-1408	1	MOER, M8, CI 8,
4	199000360408	1	KLEM,
5	16043224	1	BOUT, Hex, M8 x 16, 8.8, Full Thd,
6	1397550065	1	VERWISSELBAAR RISTERVOORS,
10	1-33-136-004	1	PUMP, , Wahlweise/Optional/En option/Efter valg/A scelta - Siehe nächste Seite(n)/See next page(s)/Voir page(s) suivante(s)/Se næste side(r)/Vedere pagin(a/e) seguent(e/i)
10	1-33-136-009	1	PUMP, , Wahlweise/Optional/En option/Efter valg/A scelta - Siehe nächste Seite(n)/See next page(s)/Voir page(s) suivante(s)/Se næste side(r)/Vedere pagin(a/e) seguent(e/i)
11	1-33-136-006	1	REGELAAR, , Siehe nächste Seite(n)/See next page(s)/Voir page(s) suivante(s)/Se næste side(r)/Vedere pagin(a/e) seguent(e/i)
12	190003800023	2	SCHROEF, , M8x90-8.8-A2C
13	190003888451	2	MOER, , VM8-8-A2C
14	1-33-136-003	1	GUIDE, LEVERS,
15	190003802714	2	SCHROEF, Hex, M14 x 25, 8.8, , M14x25-8.8-A3C
20	190003802608	1	SCHROEF, , M12x16-8.8-A3C
21	159000360217	2	KLEM,
22	15896221	2	MOER, M6, CI 10, , M6-8-A2C, DIN934
23	1-35-127-010	1	HOEKSTUK,
24	86508568	1	BOUT, Hex, M6 x 16, 8.8,
30	1-33-136-010	1	GUIDE, LEVERS,
31	189100360130	1	SNELKOPPELING, , Siehe nächste Seite(n)/See next page(s)/Voir page(s) suivante(s)/Se næste side(r)/Vedere pagin(a/e) seguent(e/i)
32	189100360131	1	SNELKOPPELING, , Siehe nächste Seite(n)/See next page(s)/Voir page(s) suivante(s)/Se næste side(r)/Vedere pagin(a/e) seguent(e/i)
33	1-33-136-012	1	PLAAT, GROOT,
34	189000360444	1	SNELKOPPELING, , Siehe nächste Seite(n)/See next page(s)/Voir page(s) suivante(s)/Se næste side(r)/Vedere pagin(a/e) seguent(e/i)
40	120100	1	BOUT, Hex, M6 x 20, 8.8,
41	1880360096	1	STEUNBEUGEL,
50	190003802493	2	SCHROEF, , M8x110-8.8-A2C
51	1213S550107	2	AFSTANDSSTUK VOOR BUIZEN,
52	1209190017	2	PIN, LARGE,
53	199000190046	2	BEVESTIGINGSBAND, , ----> 01738
53	133700360029	2	BEVESTIGINGSBAND, , 01739 ---->
54	11700550013	2	PIN, LARGE,
55	190003559087	1	TANK AIR, , ----> 01738, 246 Ø
55	190003559090	1	TANK AIR, , 01739 ---->, 206 Ø
56	1-33-136-001	1	GUIDE, LEVERS, , ----> 01738
56	1-33-136-036	1	GUIDE, LEVERS, , 01739 ---->

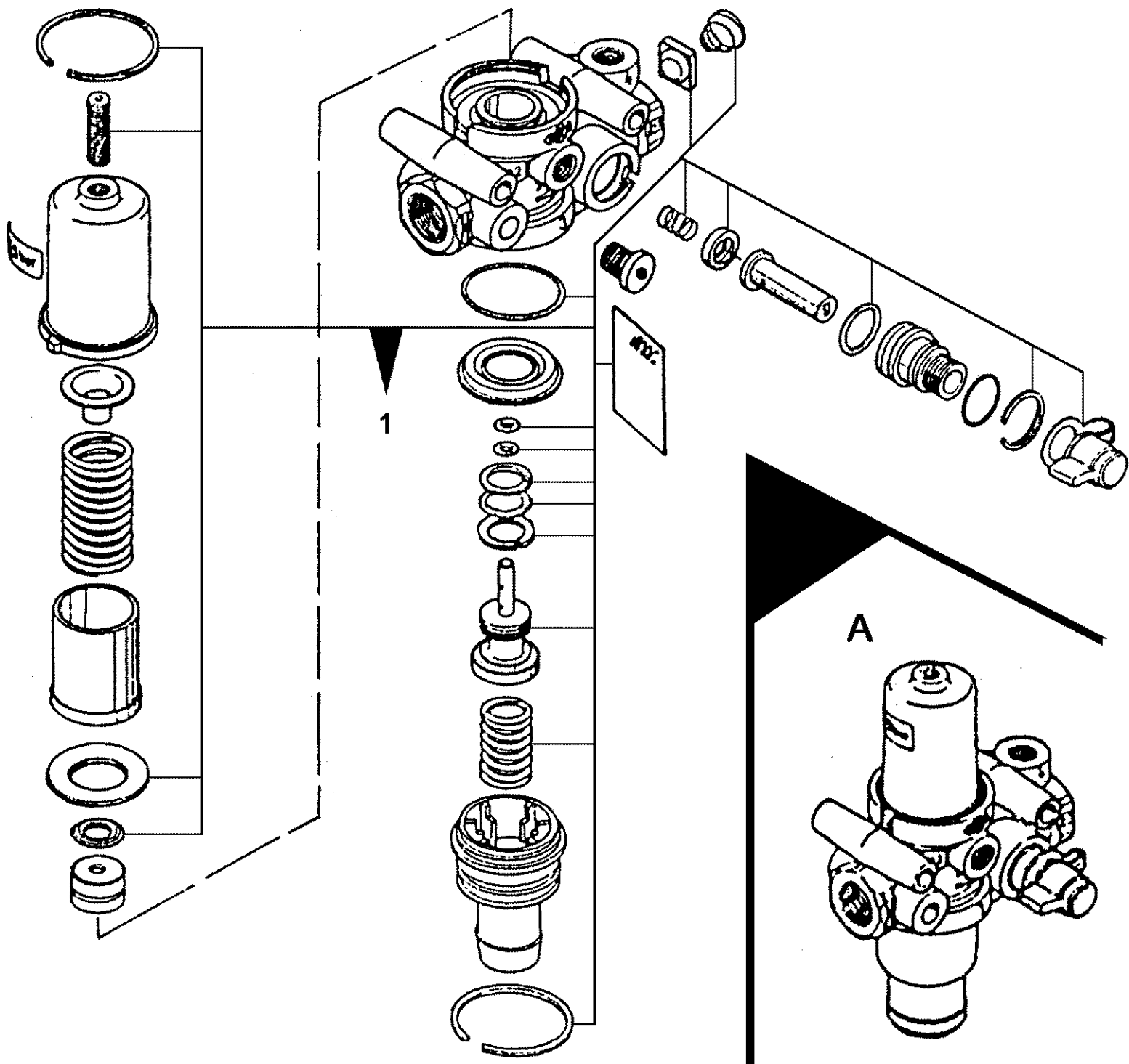
## 07-23(01) BRAKE UNITS FOR COMBINED ONE-LINE AND TWO-LINES BRAKE SYSTEM

Ref	Onderdeelnummer	Kwt	Beschrijving
56	1-33-136-079	1	GUIDE, LEVERS, , Ersetzt/Replaces/Remplace/Udskiftet/Sostituisce 1-33-136-001, 1-33-136-036
57	179200360424	1	OVERDRUKVENTIEL, , Siehe nächste Seite(n)/See next page(s)/Voir page(s) suivante(s)/Se næste side(r)Vedere pagin(a/e) seguent(e/i)
60	1-33-136-020	1	STANG, , ----> 01738
60	1-33-136-034	1	STANG, , 01739 ---->
61	1-33-136-024	1	GUIDE, LEVERS, , ----> 01738
61	1-33-136-032	1	GUIDE, LEVERS, , 01739 ---->
62	190003963614	1	KOGELWRIGHT, , A10-2C
63	190003963313	1	KOGELHOUDER, , C10-A2C
64	15896221	1	MOER, M6, CI 10, , M6-8-A2C, DIN934
65	1397350192	1	BEDIENING, , ----> 01738
-	1397350731	1	SET, , ----> 01738, Hydraulisch/Hydraulic/Hydraulique/Hydrauliske/Idraulico
-	1397350732	1	SET, , Pneumatisch/Pneumatic/Pneumatique/Pneumatisk/Pneumatici
65	1-33-136-061	1	VALVE, BRAKE, , 01739 ---->
-	1397350737	1	SET, , 01739 ---->Hydraulisch/Hydraulic/Hydraulique/Hydrauliske/Idraulico
-	1397350732	1	SET, , Pneumatisch/Pneumatic/Pneumatique/Pneumatisk/Pneumatici





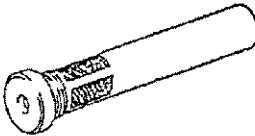
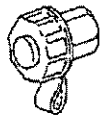
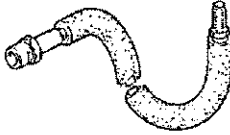
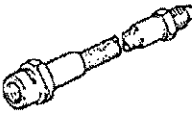
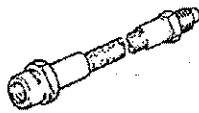

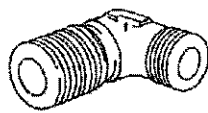
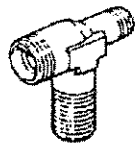


















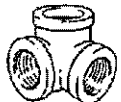

Ref	Onderdeelnummer	Kwt	Beschrijving
A	1-33-136-004	1	PUMP, , Wahlweise/Optional/En option/Efter valg/A scelta - Einschließlich/Includes/Avec/Inklusive/Compreso 1, 2, 10, 20
B	1-33-136-009	1	PUMP, , Wahlweise/Optional/En option/Efter valg/A scelta - Einschließlich/Includes/Avec/Inklusive/Compreso 5, 6, 30
1	133700360713	1	CONTAINER,
2	133700360716	1	DICHTINGSSTUK,
5	133700360704	1	CAP, FILLER,
6	133700360703	1	TANK,
10	133700360714	1	COVER,
20	133700360712	1	SET,
30	133700360711	1	SPARE PART SET,



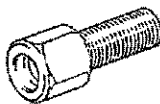

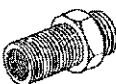






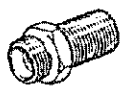

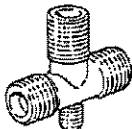












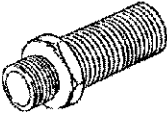
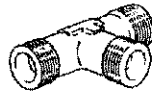





955 STEYR TRACTOR (2/92-6/97) - Remmen

07-25(01) PRESSURE REGULATOR DISASSEMBLED

Ref	Onderdeelnummer	Kwt	Beschrijving
A	1-33-136-006	1	REGELAAR,
1	1-33-736-002	1	HERSTELKIT,

B	<p><b>B075</b> 891 00 36 0010</p>  <p>Autom. Entwässerungsventil</p>	<p><b>B083</b> 891 00 36 0013</p>  <p>Prüfanschluß</p>				
H	<p><b>H002</b> 880 36 0042</p>  <p>10 x 540 Bremschlauch</p>	<p><b>H017</b> 900 03 55 9720</p>  <p>BB 10 x 450 Bremschlauch</p>	<p><b>H018</b> 900 03 55 9721</p>  <p>BB 10 x 320 Bremschlauch</p>			
K	<p><b>K024</b> 990 14 28 0016</p>  <p>PA 6 x 1 Einsteckhülse</p>	<p><b>K026</b> 990 00 36 0410</p>  <p>M 26 x 1,5/15 Winkelstück</p>	<p><b>K040</b> 991 00 36 0114</p>  <p>12/M 16 x 1,5/6 T-Stück</p>	<p><b>K044</b> 990 14 23 0013</p>  <p>M 12/PA 6 x 1 Einschlagringstück</p>	<p><b>K047</b> 990 14 23 0017</p>  <p>M 14/PA 10 x 1 Einschlagringstück</p>	<p><b>K048</b> 990 14 23 0018</p>  <p>M 14/PA 6 x 1 Einschlagringstück</p>
K	<p><b>K055</b> 991 00 36 0161</p>  <p>M 22 x 1,5/M 16 x 1,5 Reduzierstück</p>	<p><b>K058</b> 990 00 36 2210</p>  <p>M 22 x 1,5 Muffe</p>	<p><b>K074</b> 991 00 36 0252</p>  <p>PA 12 x 1,5 Verstärkungshülse</p>	<p><b>K075</b> 991 00 36 0253</p>  <p>PA 12 x 1,5 Klemmring</p>	<p><b>K141</b> 692 00 27 0141</p>  <p>M 12 x 1,5/PA 6 x 1 Rohrstützen</p>	<p><b>K142</b> 692 00 27 0142</p>  <p>M 16 x 1,5/PA 6 x 1 Rohrstützen</p>
K	<p><b>K144</b> 692 00 27 0144</p>  <p>M 16 x 1,5/PA 8 x 1 Rohrstützen</p>	<p><b>K145</b> 692 00 27 0145</p>  <p>M 16 x 1,5/PA 12 x 1,5 Rohrstützen</p>	<p><b>K147</b> 692 00 27 0147</p>  <p>M 12 x 1,5/P3 Einsteckstutzen</p>	<p><b>K149</b> 692 00 27 0149</p>  <p>M 16 x 1,5/P3 Einsteckstutzen</p>	<p><b>K150</b> 692 00 27 0150</p>  <p>M 16 x 1,5/P4 Einsteckstutzen</p>	<p><b>K151</b> 692 00 27 0151</p>  <p>M 22 x 1,5/P4 Einsteckstutzen</p>
K	<p><b>K152</b> 692 00 27 0152</p>  <p>M 12 x 1,5/P3 L-Steckblock</p>	<p><b>K153</b> 692 00 27 0153</p>  <p>M 16 x 1,5/P4 L-Steckblock</p>	<p><b>K155</b> 692 00 27 0155</p>  <p>M 16 x 1,5/M 16 x 1,5/P4 T-Steckblock</p>	<p><b>K159</b> 692 00 27 0159</p>  <p>M 16 x 1,5/M 16 x 1,5/P4 Doppel-L-Steckblock</p>	<p><b>K161</b> 692 00 27 0161</p>  <p>M 16 x 1,5/M 16 x 1,5/ M 16 x 1,5 T-Block</p>	




















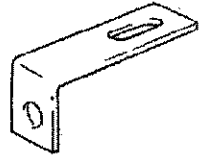


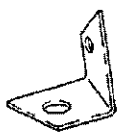


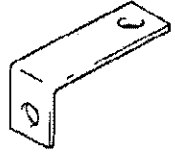
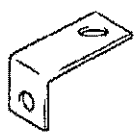







Ref	Onderdeelnummer	Kwt	Beschrijving
B			
075	189100360010	1	VALVE,
083	189100360013	1	AANSLUITSTUK,
H			
002	1880360042	1	FLEXIBELE BUIS, , 10x540
017	190003559720	1	FLEXIBELE BUIS, , BB10x450
018	190003559721	1	FLEXIBELE BUIS, , BB10x320
K			
024	199014280016	1	LAGER,KOPPELING DRUKPLAA, , PA6x1
026	199000360410	1	KOPPELING, , M26x1,5/15
040	199100360114	1	TEE, , 12/M16x1,5/6
044	199014230013	1	FITTING, , M12/PA6x1
047	199014230017	1	FITTING, , M14/PA10x1
048	199014230018	1	FITTING, , M14/PA6x1
K			
055	199100360161	1	VERBINDING, , M22x1,5/M16x1,5
058	199000362210	1	LAGERBUS, , M22x1,5
074	199100360252	1	LAGER,KOPPELING DRUKPLAA, , PA12x1,5
075	199100360253	1	SNIJRING, , PA12x1,5
141	169200270141	1	VERLOOPSTUK, , M12x1,5/PA6x1
142	169200270142	1	VERLOOPSTUK, , M16x1,5/PA6x1
K			
144	169200270144	1	VERBINDING, , M16x1,5/PA8x1
145	169200270145	1	KOPPELING, , M16x1,5/PA12x1,5
147	169200270147	1	FITTING, , M12x1,5/P3
149	169200270149	1	FITTING, , M16x1,5/P3
150	169200270150	1	FITTING, , M16x1,5/P4
151	169200270151	1	FITTING, , M22x1,5/P4
K			
152	169200270152	1	HOEKIJZER, , M12x1,5/P3
153	169200270153	1	HOEKIJZER, , M16x1,5/P4
155	169200270155	1	TEE, , M16x1,5/M16x1,5/P4
159	169200270159	1	TEE, , M16x1,5/M16x1,5/P4
161	169200270161	1	TEE, , M16x1,5/M16x1,5/M16,1,5

<b>K</b>	K304 991 00 27 0304	K305 991 00 27 0305	K306 991 00 27 0306			
						
	M 16 x 1,5i / M 16 x 1,5i Schottstutzen	M 22 x 1,5i / M 16 x 1,5i Schottstutzen	M 16 x 1,5 / M 22 x 1,5i / M 22 x 1,5i Schottstutzen			
<b>L</b>	L001 900 03 55 9520	L002 900 03 55 9562	L003 900 03 55 9538	L004 900 03 55 9539	L005 900 03 55 9711	L008 900 03 55 9386
						
	DIN 3872 - L15-PH Überwurfmutter	DIN 3861 - L15-ST-A3C Schneidring	DIN 3867-AL 15- A3C Druckring	DIN 74297 - D12 - ZINK Dichtring	DIN 74298 - 15 Verbindungsstück	DIN 74313-B16 M 26 x 1,5 - A3C Stutzen
<b>L</b>	L009 900 03 55 9385	L010 900 03 55 9668	L020 900 03 55 9375	L023 900 03 55 9547	L024 900 03 55 9778	L027 900 03 87 1545
						
	DIN 74313 - D 16 M 22 x 1,5 Stutzen	DIN 74301 - A 15 Stutzen	DIN 74303 - B - PH Kreuzstück	DIN 74305 - M 22 x 1,5 - A3C Sechskantmutter	DIN 74305-M 26 x 1,5 - A3C Sechskantmutter	DIN 936 - M 16 x 1,5-05 -A3C Sechskantmutter
<b>L</b>	L028 900 03 87 1547	L058 900 03 96 2029	L059 900 03 96 2038	L078 900 03 55 9509	L079 900 03 55 9558	L080 900 03 55 9514
						
	DIN 936 - M 18 x 1,5 Sechskantmutter	DIN 7604 - A - M 16 x 1,5 Verschlusschraube	DIN 7604 - A-M 22 x 1,5-ST-A3C Verschlusschraube	DIN 3870 AL 8A3C Überwurfmutter	DIN 3861 L8 - st - A3C Schneidring	DIN 3870 - AL 12 Überwurfmutter
<b>L</b>	L081 900 03 55 9563	L088 900 03 55 9946	L089 900 03 55 9490	L090 900 03 55 9949	L095 900 03 55 9958	L098 900 03 55 9959
						
	DIN 3861 - L 12 Schneidring	DIN 74315 - A 12 M 16 x 1,5 Stutzen	DIN 3901 - L 12 M Stutzen	DIN 74313-C 12 M 16 x 1,5 Stutzen	DIN 3908 - L 12 Stutzen	DIN 741313 - C 12 M 22 x 1,5 Stutzen
<b>M</b>	M009 880 36 0005	M010 880 36 0006	M011 880 36 0068	M016 2700 36 0014		
						
	14 / M 12 x 1 Ringstutzen	14 / M 12 x 1 Ringstutzen	14 / M 12 x 1 / M 12 x 1 Ringstutzen	M 12 x 1 Verteiler		

## 955 STEYR TRACTOR (2/92-6/97) - Remmen

## 07-27(01) PIPE UNIONS K - M

Ref	Onderdeelnummer	Kwt	Beschrijving
K			
304	199100270304	1	VERBINDING, , M16x1,5i/M16x1,5i
305	199100270305	1	FITTING, , M22x1,5i/M16x1,5i
306	199100270306	1	FITTING, , M16x1,5/M22x1,5i/M22x1,5i
L			
001	190003559520	1	NUT, TUBE, , DIN3872-L15-PH
002	190003559562	1	TONNETJE, , DIN3861-L15-3C
003	190003559538	1	RING, THRUST, , DIN3867-AL15-A3C
004	190003559539	1	SEAL ASSY., , DIN74297-D12-ZINK
005	190003559711	1	FITTING, , DIN74298-15
008	190003559386	1	VERBINDING, , DIN74313-B16M26x1,5-A3C
L			
009	190003559385	1	VERBINDING, , DIN74313-D16M22x1,5
010	190003559668	1	KOPPELING, , DIN74301-A15
020	190003559375	1	CROSS, , DIN74303-B-PH
023	190003559547	1	MOER, , DIN74305-M22x1,5-A3C,
024	190003559778	1	MOER, , DIN74305-M26x1,5-A3C
027	190003871545	1	MOER, , M16x1,5-05-A3C-DIN936
L			
028	190003871547	1	MOER, , M18x1,5-A3C-DIN936
058	190003962029	1	SCHROEF, , DIN7604-A-M16x1,5-A3C
059	190003962038	1	PLUG, Hex Wash Hd, M22 x 1.5, , DIN7604-A-M22x1,5-A3C
078	190003559509	1	NUT, TUBE, , DIN3870AL8A3C
079	190003559558	1	TONNETJE, , DIN3861I8-st-A3C
080	190003559514	1	NUT, TUBE, , DIN3870-AL12
L			
081	190003559563	1	TONNETJE, , DIN3861-L12
088	190003559946	1	VERBINDING, , DIN74315-A12M16x1,5
089	190003559490	1	FITTING, , DIN3901-L12M
090	190003559949	1	FITTING, , DIN74313-C12M16x1,5
095	190003559958	1	TEE, , DIN3908-L12
098	190003559959	1	FITTING, , DIN74313-C12M22x1,5
M			
009	1880360005	1	FITTING, , 14/M12x1
010	1880360006	1	FITTING, , 14/M12x1
011	1880360068	1	VERBINDINGSBOUT, , 14/M12x1/M12x1
016	12700360014	1	DISTRIBUTOR, OIL, , M12x1

<b>M</b>	M031 395 35 0063	M032 395 35 0070	M036 190 35 0140	M037 292 35 0043	M041 292 35 0044	M042 395 35 0049	
							
	M 12 x 1 / M 10 x 1 Schraubstützen	10,2 x 17 CU Dichttring	M 10 x 1 Verschlußschraube	14 / M 12 x 1 Hohlschraube	14 / M 12 x 1 / M 10 x 1 Ringstützen	M 12 x 1 / M 12 x 1 Zwischenstück	
<b>O</b>	O002 900 03 09 8014	O003 900 03 09 8016	O004 900 03 09 8026	O005 900 03 09 8031	O008 900 03 09 8015	O009 900 03 09 8013	O010 900 03 09 8021
							
	DIN 7603 A 14 x 18 Dichtring	DIN 7603 - A 16 x 20 - CU Dichtring	DIN 7603 - A 22 x 27 - CU Dichtring	DIN 7603 - A 26 x 31 - CU Dichtring	DIN 7603 - A 14 x 20 - CU Dichtring	DIN 7603 A 12 x 18 CU Dichtring	DIN 7603 A 18 x 24 C Dichtring
<b>P</b>	P002 990 00 36 0409	P004 406 05 0013	P005 990 00 36 0292	P006 406 07 0015	P011 991 00 36 0319	P013 680 25 0092	
							
	M 26 x 1,5 Druckring	25,3 x 2,4 D.Ring	M 16 x 1,5 Druckring	DR 15,3 x 2,4 D.Ring	M 22 x 1,5 Druckring	DR 20 x 3 D.Ring	
<b>R</b>	R021 990 12 36 0441	R039 990 00 36 2186	R043 680 36 0316	R050 991 00 36 0166	R072 390 41 0062	R074 991 00 82 0050	
							
	Winkel	Winkel	Platte	Winkel	Winkel	Lasche	
<b>R</b>	R093 -99-974-237	R105 -99-974-236					
							
	Winkel	Winkel					
<b>S</b>	S008 380 91 36 0181	S042 680 36 0315	S050 80 73 0149	S061 900 03 55 9810	S071 590 00 36 0181	S074 590 00 36 0183	S086 590 00 36 0217
							
	20 Ø Schelle	15 Ø Schelle	20 / 15 Schelle	DIN 74225 - 14 Bremschlauchhalter	6 Ø Rohrschelle	10 Ø Rohrschelle	12 Ø Schelle



Ref	Onderdeelnummer	Kwt	Beschrijving
M			
031	1395350063	1	FITTING, , M12x1/M10x1
032	1395350070	1	RING, PACKING, , 10,2x17CU
036	1190350140	1	SPOEL, , M10x1
037	1292350043	1	VIJZELSCHROEF, , 14/M12x1
041	1292350044	1	FITTING, , 14/M12x1/M10x1
042	1395350049	1	VIJZELSCHROEF, , M12x1/M12x1
O			
002	190003098014	1	DICHTINGSRING, , A14x18-CU-DIN7603
003	190003098016	1	DICHTINGSRING, , DIN7603-A16x20-CU
004	190003098026	1	DICHTINGSRING, , DIN7603-A22x27-CU
005	190003098031	1	DICHTINGSRING, , DIN7603-A26x31-CU
008	190003098015	1	DICHTINGSRING, , DIN7603-A14x20-CU
009	190003098013	1	DICHTINGSRING, , DIN7603A12x18-CU
010	190003098021	1	DICHTINGSRING, , DIN7603A18x24-CU
P			
002	199000360409	1	RING, THRUST, , M26x1,5
004	1406050013	1	O-RING, , 25,3x2,4
005	199000360292	1	RING, THRUST, , M16x1,5
006	1406070015	1	O-RING, , DR15,3x2,4
011	199100360319	1	RING, THRUST, , M22x1,5
013	1680250092	1	O-RING, , DR20x3
R			
021	199012360441	1	HOEKSTUK,
039	199000362186	1	HOEKSTUK,
043	1680360316	1	PLAAT,
050	199100360166	1	HOEKSTUK,
072	1390410062	1	HOEKSTUK,
074	199100820050	1	VERWISSELBAAR RISTERVOORS,
R			
093	1-99-974-237	1	HOEKSTUK,
105	1-99-974-236	1	HOEKSTUK,
S			
008	138091360181	1	CLAMP, , 20 Ø
042	1680360315	1	CLAMP, , 15 Ø
050	180730149	1	CLAMP, , 20/15
061	190003559810	1	HOUDER, , DIN74225-14
071	159000360181	1	KLEM, , 6 Ø
074	159000360183	1	LEIDINGKLEM, , 10 Ø
086	159000360217	1	KLEM, , 12 Ø

S

S105  
397 47 0118



12 Ø  
Schelle

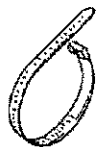
T

T001  
38 09 136 0166



Klemmleiste

T003 = T010  
900 03 17 1697



N 5199 - A 5 x 180  
Kabelbinder

T004  
610 00 06 0211



15 x 21  
Gummischlauch

T015  
990 00 36 2004



9 x 15  
Gummischlauch

T026  
991 00 36 0134



Distanzhülse

U

U060  
615 00 01 0032



Winkel

Y

Y001  
395 35 0028



14 / M 10 x 1  
Hohlschraube

Y002  
900 03 12 9014



N 05496 14 x 1  
Gummitülle

Y003  
900 03 55 9494



DIN 3901 L 15 AM  
Stutzen

Y004  
192 47 0099



M 22 x 1,5 / M 26 x 1,5  
Reduzierstück

Y005  
390 47 0038



M 18 x 1,5 / M 18 x 1,5  
Einschraubverschraubung

Y

Y006  
180327030007



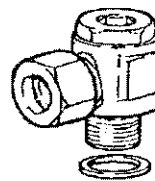
M 22 x 1,5 / M 22 x 1,5 / 30 / 54  
Einschraubstutzen

Y007  
180327030008



M 22 x 1,5 / M 22 x 1,5 / 12 / 34  
Einschraubstutzen

Y008  
133700470161



O002  
M 18 x 1,5 / M 22 x 1,5 15 Ø  
Schwenkverschraubung

Y009  
190003559493



DIN 3952 L 15  
L-Stutzen

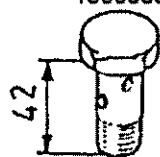
Y

Y010  
190003962632



DIN 7643 - 15 - 3  
Hohlschraube

Y011  
190003962633



DIN 7643 - 15 - S  
Hohlschraube

Ref	Onderdeelnummer	Kwt	Beschrijving
S			
105	1397470118	1	CLAMP, , 12 Ø
T			
001	138091360166	1	AANSLUITSTRIP,
003	190003171697	1	BEVESTIGINGSKLEM, , A5x180 / K02
004	161000060211	1	AFSTANDSRING, , 15x21
010	190003171697	1	BEVESTIGINGSKLEM, , A5x180 / K02
015	199000362004	1	AFSTANDSRING, , 9x15
026	199100360134	1	AFSTANDSRING,
U			
060	161500010032	1	HOEKSTUK,
Y			
001	1395350028	1	VIJZELSCHROEF, , 14/M10x1
002	190003129014	1	KABELDOORGANG, , DIN05496-14x1
003	190003559494	1	VERBINDING, , DIN3901-L15AM
004	1192470099	1	RESTRICTOR, , M22x1,5/M26x1,5
005	1390470038	1	SCHROEF, , M18x1,5/M18x1,5
006	180327030007	1	MOER VOOR BUIZEN, , M22x1,5/M22x1,5/30/54
007	180327030008	1	FITTING, , M22x1,5/M33x1,5/12/34
008	133700470161	1	JOINT, SWING, , M18x1,5/M22x1,5-15Ø
009	190003559493	1	VERBINDING, , DIN03952-L15
010	190003962632	1	VIJZELSCHROEF, , DIN07643-15-3
011	190003962633	1	VIJZELSCHROEF, , DIN07643-15-S

Z

Z001  
990 00 36 0155 wa



Entwässerungsventil

Z001  
792 00 36 0332 wa  
792 00 36 0424 wa  
792 00 36 0412 wa

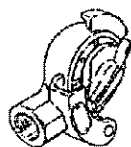
791 00 36 0044 wa

791 00 36 0193 wa  
791 00 36 0086 wa

Z001  
790 00 36 0313 wa

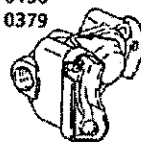
Z

Z043  
900 00 36 2223  
890 00 36 0444



Kupplungskopf

Z048  
791 00 36 0008  
791 00 36 0013  
891 00 36 0127  
792 00 36 0306  
891 00 36 0130  
792 00 36 0379



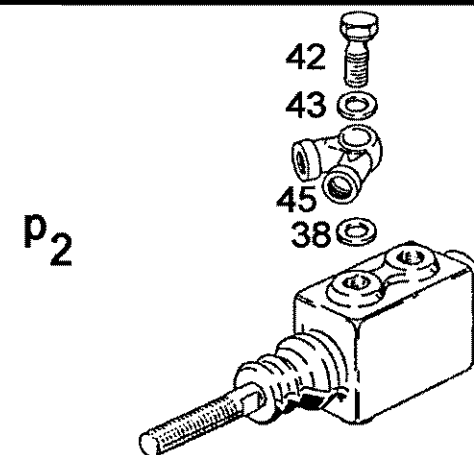
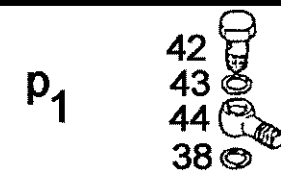
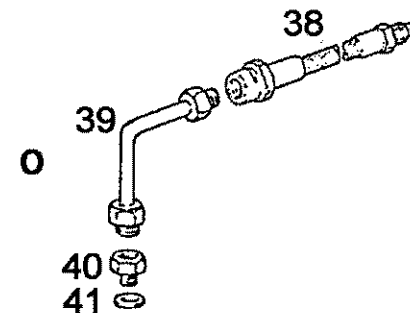
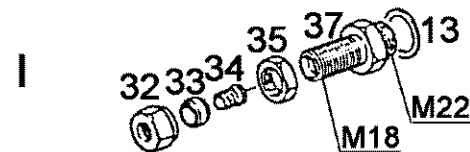
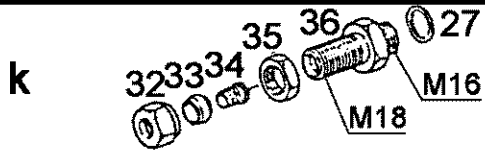
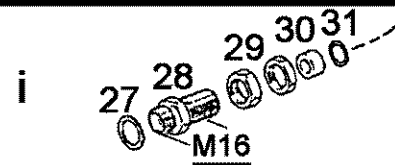
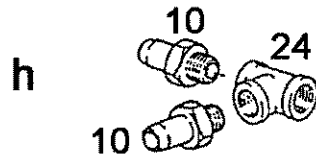
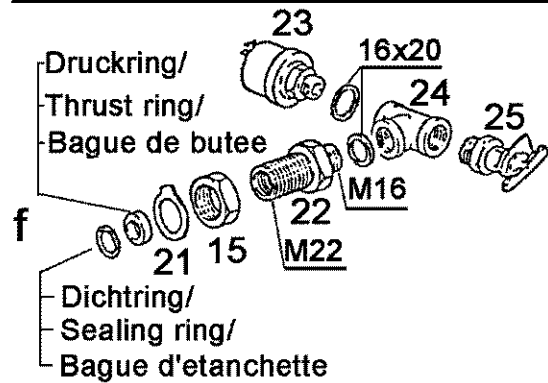
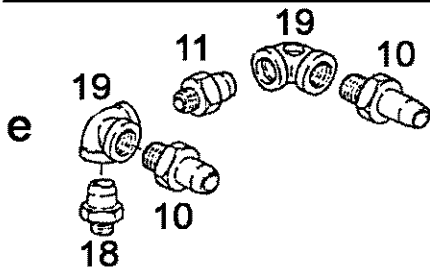
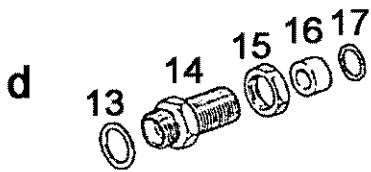
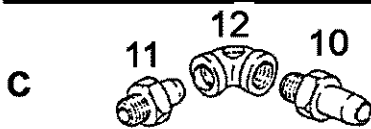
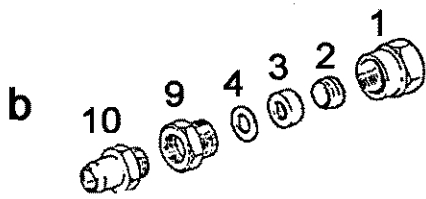
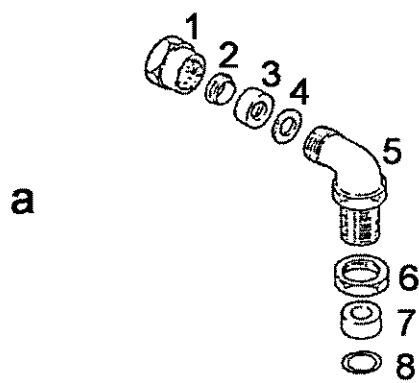
Kupplungskopf

Z049  
791 00 36 0009  
791 00 36 0014  
891 00 36 0128  
792 00 36 0307  
891 00 36 0131  
792 00 36 0380

## 07-30(01) PIPE UNIONS Z

Ref	Onderdeelnummer	Kwt	Beschrijving
Z			
001	199000360155	1	VALVE, DRAIN, , Wahlweise/Optional/En option/Efter valg/A scelta
001	179200360332	1	VALVE, DRAIN, , Wahlweise/Optional/En option/Efter valg/A scelta
001	179200360424	1	OVERDRUKVENTIEL, , Wahlweise/Optional/En option/Efter valg/A scelta
001	179200360412	1	VALVE, DRAIN, , Wahlweise/Optional/En option/Efter valg/A scelta
001	179100360044	1	VALVE, DRAIN, , Wahlweise/Optional/En option/Efter valg/A scelta
001	179100360193	1	VALVE, DRAIN, , Wahlweise/Optional/En option/Efter valg/A scelta
001	179100360086	1	VALVE, DRAIN, , Wahlweise/Optional/En option/Efter valg/A scelta
001	179000360313	1	VALVE, DRAIN, , Wahlweise/Optional/En option/Efter valg/A scelta
043	199000362223	1	COUPLING, BREAK AWAY, , Wahlweise/Optional/En option/Efter valg/A scelta
043	189000360444	1	SNELKOPPELING, , Wahlweise/Optional/En option/Efter valg/A scelta
048	179100360008	1	COUPLING, BREAK AWAY, , Wahlweise/Optional/En option/Efter valg/A scelta
048	179100360013	1	COUPLING, BREAK AWAY, , Wahlweise/Optional/En option/Efter valg/A scelta
048	189100360127	1	COUPLING, BREAK AWAY, , Wahlweise/Optional/En option/Efter valg/A scelta
048	179200360306	1	COUPLING, BREAK AWAY, , Wahlweise/Optional/En option/Efter valg/A scelta
048	189100360130	1	SNELKOPPELING, , Wahlweise/Optional/En option/Efter valg/A scelta
048	179200360379	1	COUPLING, BREAK AWAY, , Wahlweise/Optional/En option/Efter valg/A scelta
049	179100360009	1	COUPLING, BREAK AWAY, , Wahlweise/Optional/En option/Efter valg/A scelta
049	179100360014	1	COUPLING, BREAK AWAY, , Wahlweise/Optional/En option/Efter valg/A scelta
049	189100360128	1	COUPLING, BREAK AWAY, , Wahlweise/Optional/En option/Efter valg/A scelta
049	179200360307	1	COUPLING, BREAK AWAY, , Wahlweise/Optional/En option/Efter valg/A scelta
049	189100360131	1	SNELKOPPELING, , Wahlweise/Optional/En option/Efter valg/A scelta
049	179200360380	1	COUPLING, BREAK AWAY, , Wahlweise/Optional/En option/Efter valg/A scelta

07-31(01) PIPE UNIONS FOR COMBINED ONE-LINE AND TWO-LINES BRAKE SYSTEM



## 07-31(01) PIPE UNIONS FOR COMBINED ONE-LINE AND TWO-LINES BRAKE SYSTEM

Ref	Onderdeelnummer	Kwt	Beschrijving
1	190003559520	1	NUT, TUBE, , L15-PM
2	190003559562	1	TONNETJE, , L15-ST-A3C
3	190003559538	1	RING, THRUST, , AL15-A3C
4	190003559539	1	SEAL ASSY., , D12-ZINK
5	199000360410	1	KOPPELING,
6	190003559778	1	MOER, , M26x1,5-PH
7	199000360409	1	RING, THRUST,
8	1406050013	1	O-RING,
9	199100360161	1	VERBINDING,
10	169200270145	1	KOPPELING,
11	169200270151	1	FITTING,
12	169200270153	1	HOEKIJZER,
13	190003098026	1	DICHTINGSRING, , A22x27-CU
14	190003559385	1	VERBINDING, , D16M22x1,5-PH
15	190003559547	1	MOER, , M22x1,5-A3C
16	199100360319	1	RING, THRUST,
17	1680250092	1	O-RING,
18	169200270150	1	FITTING,
19	169200270159	1	TEE,
21	1292770137	1	CONNECTOR,
22	199100270306	1	FITTING,
23	169200710001	1	ZENDER,
24	169200270161	1	TEE,
25	1-33-136-013	1	CONNECTION,
26	190003962038	1	PLUG, Hex Wash Hd, M22 x 1.5, , M22x1,5-ST-A3C
27	190003098016	1	DICHTINGSRING, , A16x20-CU
28	169200360123	1	FITTING,
29	190003871545	1	MOER, , M16x1,5-05-A3C-DIN936
30	199000360292	1	RING, THRUST,
31	1406070015	1	O-RING,
32	190003559514	1	NUT, TUBE, , AL12-A3C
33	199100360253	1	SNIJRING,
34	199100360252	1	LAGER,KOPPELING DRUKPLAA,
35	190003871547	1	MOER, , M18x1,5-A3C-DIN936
36	190003559949	1	FITTING, , C12M16x1,5-A3C
37	190003559959	1	FITTING, , C12M22x1,5-A3C
38	190003559720	1	FLEXIBELE BUIS, , BE10x450
39	135700440008	1	REMLEIDING,
40	1395350063	1	FITTING,
41	1395350070	1	RING, PACKING,
42	1395350070	1	RING, PACKING,

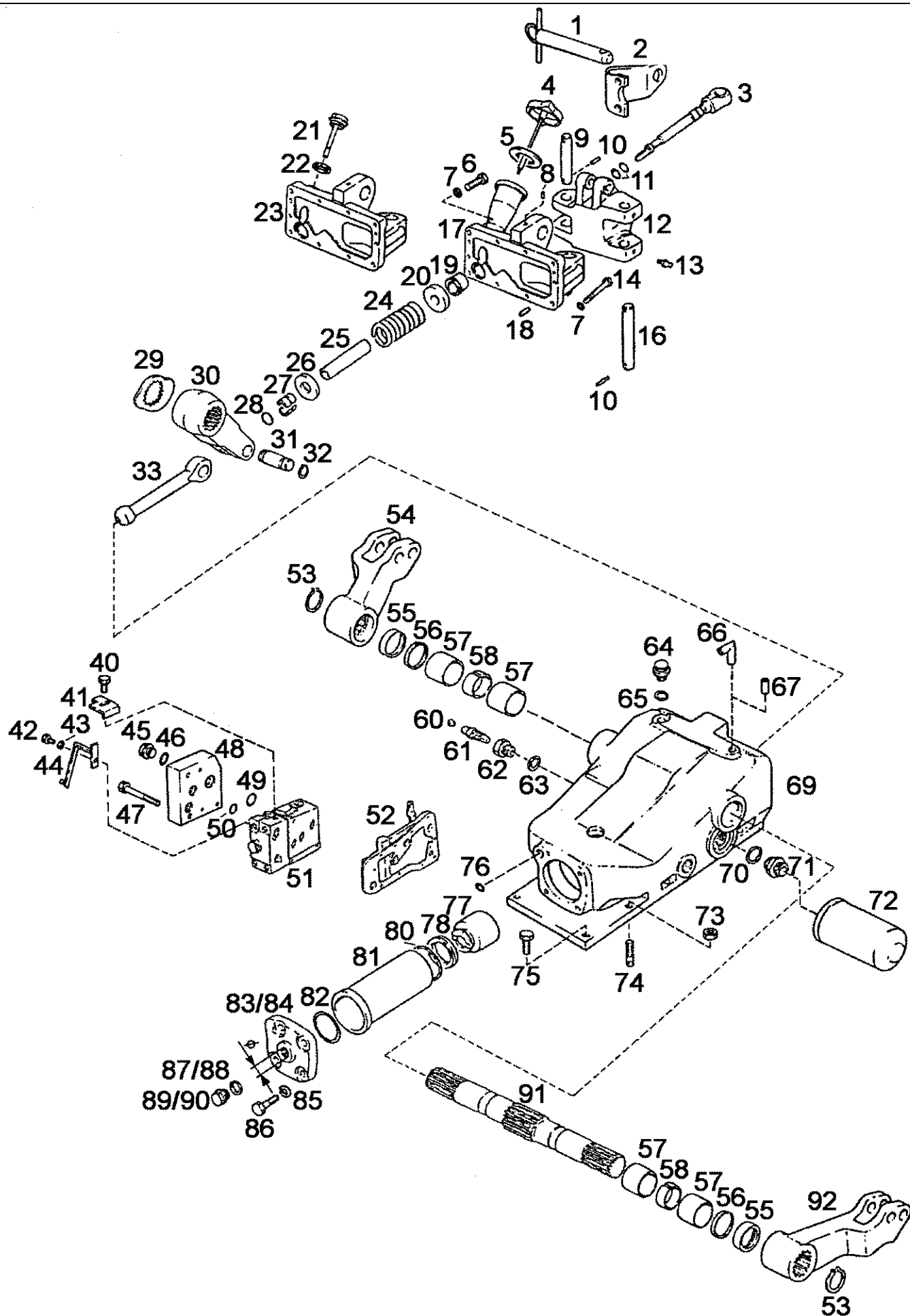
955 STEYR TRACTOR (2/92-6/97) - Remmen

07-31(01) PIPE UNIONS FOR COMBINED ONE-LINE AND TWO-LINES BRAKE SYSTEM

Ref	Onderdeelnummer	Kwt	Beschrijving
43	190003098014	1	DICHTINGSRING, , A14x18-CU-DIN7603
44	199014230018	1	FITTING,
45	1880360068	1	VERBINDINGSBOUT,



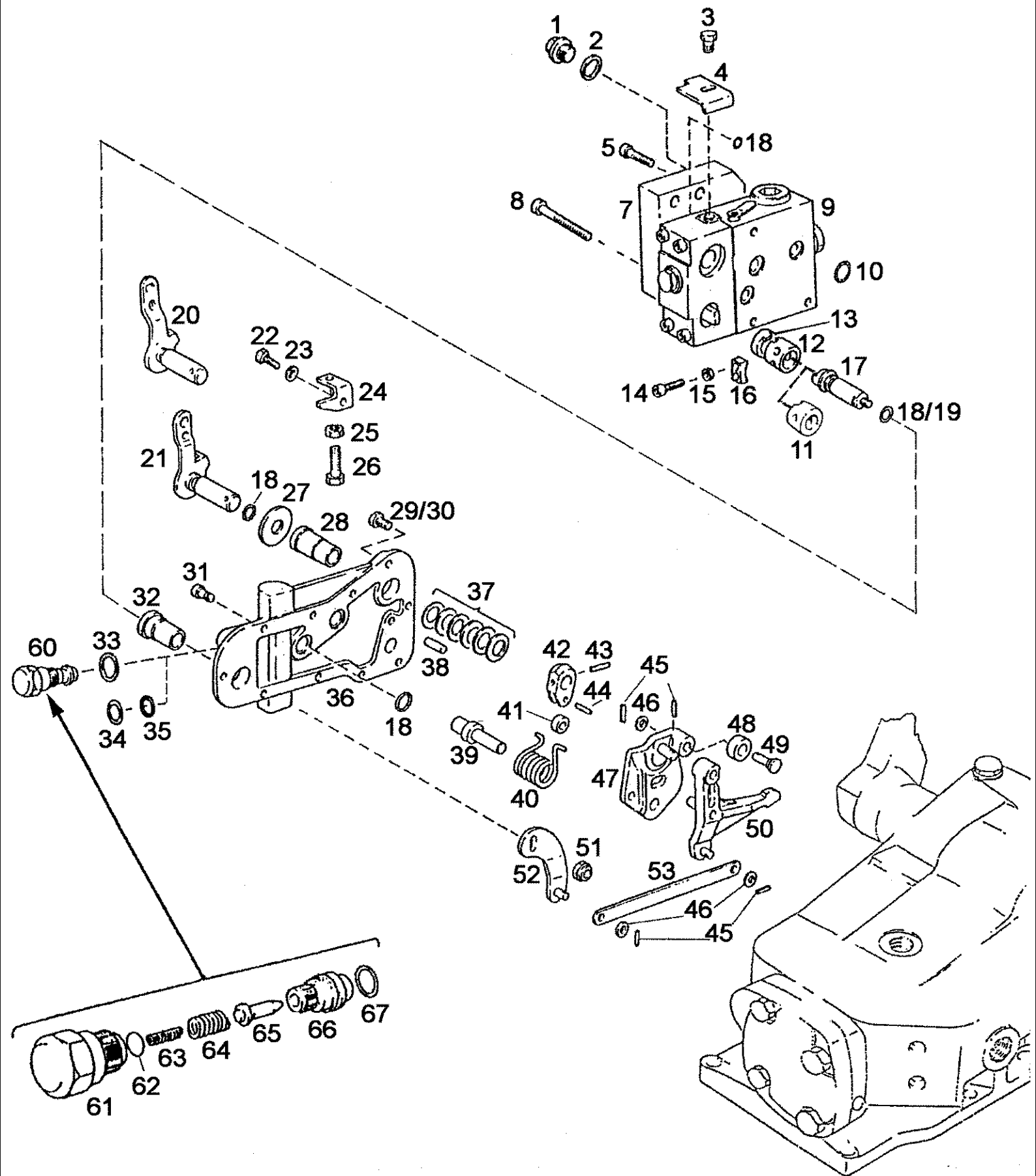




Ref	Onderdeelnummer	Kwt	Beschrijving
1	1-32-273-230	1	HEFINRICHTING, HYDRAULISC, , Besteht aus/Consists of/Compose de/Bestående af/È composto da 1-3,6-16,18-66,69-82,84-86,88,90-92 - Ersetzt/Replaces/Remplace/Udskiftet/Sostituisce 133700732488
1	135700730314	1	PIN, LARGE, , Siehe nächste Seite(n)/See next page(s)/Voir page(s) suivante(s)/Se næste side(r)/Vedere pagin(a/e) seguent(e/i)
2	135700730250	1	VERGRENDLING, , Siehe nächste Seite(n)/See next page(s)/Voir page(s) suivante(s)/Se næste side(r)/Vedere pagin(a/e) seguent(e/i)
3	1288730149	1	STANG,
4	133700733008	1	NO DESCRIPTION, , ----> .....
5	1380K730280	1	DICHTING, RUBBER, , ----> .....
6	190003803639	9	SCHROEF, , M12x1,5x40-8.8-A3C
7	190003931142	10	BORGRING, , A12-FST-A3C
8	190003909678	1	SPANSTIFT, , 6x20
9	1290730035	1	PIN, LARGE,
10	190003909630	4	SPANSTIFT, , 6x32
11	135700730038	2	O-RING, , 20,2x3
12	1292730051	1	ARM,
13	190003963115	2	SMEERNIPPEL, , CM8x1-A3F
14	190003803662	1	SCHROEF, , M12x1,5x100-8.8-A3C
16	1290730037	1	PIN, LARGE,
17	133700733011	1	HUIS, , ----> ..... - Hinten/Rear/Derrière/Bagest/Posteriore
18	190003901512	2	PEN, , 10M6x20-ST
19	1288730232	1	LAGERBUS,
20	1288730072	1	SCHIIF, , Hinten/Rear/Derrière/Bagest/Posteriore
21	133700733020	1	PEILSTANG, , ..... ---->
22	190003098086	1	DICHTINGSRING, , A30x36-CU - ..... ---->
23	133700733006	1	COVER, , ..... ---->Hinten/Rear/Derrière/Bagest/Posteriore
24	135700730040	1	VEER,
25	135700730041	1	OPVULPIJP,
26	1288730071	1	SCHIIF, , Vorne/Front/Avant/Forrest/Anteriore
27	1292730203	2	LAGER, CUP,
28	1288730129	1	VEERRING,
29	1288730153	1	NOK,
30	1288730057	1	HEFBOOM,
31	1288730009	1	PIN, LARGE,
32	190003933141	2	SLUITRING, , 28x1,5
33	1390730098	1	DRIJFSTANG/ZUIGERPAKKING,
40	336199	1	BOUT, Hex, M8 x 12, 8.8, Full Thd, , M8x12-A2C
41	1397730055	1	STOOTSTUK,
42	86977726	1	BOUT, Hex, M6 x 12, 8.8,
43	190003931082	1	SLUITRING, , A6-FST-A3C

Ref	Onderdeelnummer	Kwt	Beschrijving
44	131700730207	1	HOEKSTUK,
45	190003962030	1	PLUG, Hex Wash Hd, M18 x 1.5, , A-M18x1,5-ST-A3C
46	190003098020	1	DICHTINGSRING, , A18x22-CU
47	190003800023	3	SCHROEF, , M8x90-8.8-A2C
48	155700733044	1	DEKSEL, , Einschließlich/Includes/Avec/Inklusive/Compreso 159, 160 - Siehe nächste Seite(n)/See next page(s)/Voir page(s) suivante(s)/Se næste side(r)/Vedere pagin(a/e) seguent(e/i)
49	1397750113	2	O-RING, , 23,4x2,4
50	1397750110	1	O-RING, , 16,3x2,4
51	1397730222	1	KONTROLEKLEP, , Siehe nächste Seite(n)/See next page(s)/Voir page(s) suivante(s)/Se næste side(r)/Vedere pagin(a/e) seguent(e/i)
52	133700730060	1	DEKSEL, , Siehe nächste Seite(n)/See next page(s)/Voir page(s) suivante(s)/Se næste side(r)/Vedere pagin(a/e) seguent(e/i)
53	190003933428	2	RING, SNAP, , 55x2
54	135700730004	1	HEFARM, , Rechts/Right/Droite/Højre/Destra
55	190003070036	2	DICHTINGSSTUK, , 55x70x8
56	1288730005	2	SCHIJF,
57	1288730360	4	LAGERBUS,
58	1288730007	2	LAGERBUS,
60	190003171877	1	PLUG, , A10,4x5,5
61	135700730065	1	SCHOEP,
62	135700730064	1	SCHROEF,
63	190003098031	1	DICHTINGSRING, , A26x31-CU
64	190003961309	1	SCHROEF, , M22x1,5-ST-A3C
65	190003098026	1	DICHTINGSRING, , A22x27-CU
66	137700730049	1	ELLEBOOG,
67	1390730058	1	VALVE BLEEDER, , ----> .....
69	135700730011	1	HUIS, , Einschließlich/Includes/Avec/Inklusive/Compreso 4 - Ersetzt/Replaces/Remplace/Udskiftet/Sostitutisce 135700730080
70	190003098071	1	DICHTINGSRING, , A33x39-CU
71	133700730026	1	FITTING,
72	133700730095	1	FILTER, HYDRAULISCHE OLIE, , Wahlweise/Optional/En option/Efter valg/A scelta - Kurz/Short/Court/Kort/Corto
72	137700750066	1	FILTER, HYDRAULISCHE OLIE, , Wahlweise/Optional/En option/Efter valg/A scelta - Lang/Long/Longue/Lang/Lungo
73	100016	10	MOER, M10, CI 8,
74	190003813532	10	TAPEIND, , M10x30-8.8-A3C
75	9706704	2	BOUT, Hex, M10 x 35, 8.8, Full Thd, , M10x35-8.8-A3C
76	1397750110	1	O-RING, , 16,3x2,4
77	1288730066	1	ZUIGER,
78	135700730039	1	RING, PACKING,
80	1288270005	1	O-RING, , 78x2

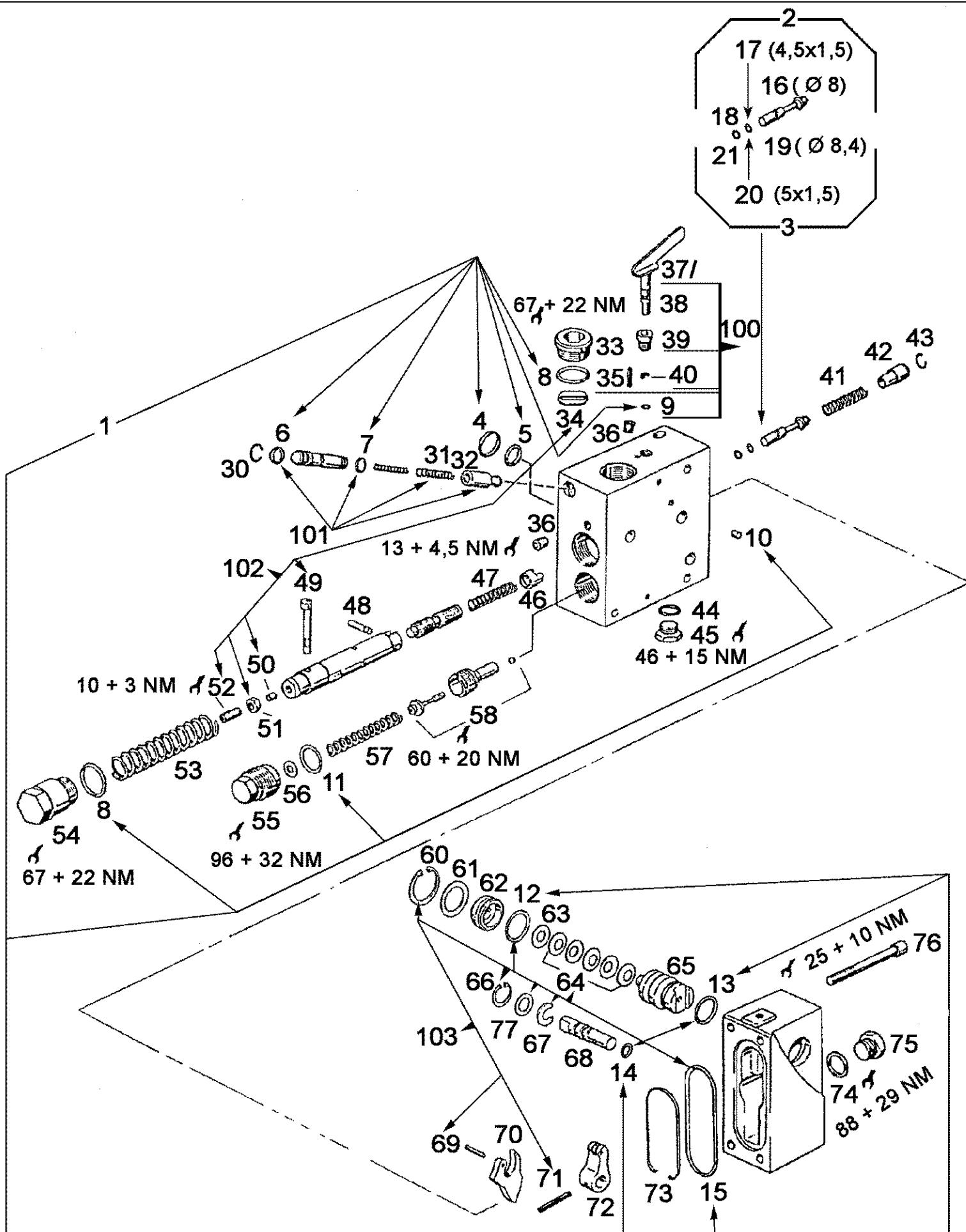
Ref	Onderdeelnummer	Kwt	Beschrijving
81	1288730060	1	LAGERBUS,
82	135700730037	1	O-RING, , 79x3,5
83	135700730030	1	COVER, , ----> ..... / Ø M18x1,5
84	135700733001	1	COVER, , ..... ---->/ Ø M16x1,5
85	190003931162	4	BORGRING, , A14-FST-A3C
86	190003800733	4	SCHROEF, , M14x55-10.9-A3C
87	190003098020	1	DICHTINGSRING, , A18x22-CU - ----> .....
88	190003098016	1	DICHTINGSRING, , A16x20-CU - ..... ---->
89	190003962030	1	PLUG, Hex Wash Hd, M18 x 1.5, , A-M-18x1,5-ST-A3C - ----> .....
90	190003962029	1	SCHROEF, , A-M16x1,5-ST-A3C - ..... ---->
91	1288730058	1	AS,
92	135700730003	1	HEFARM, , Links/Left/Gauche/Venstre/Sinistro



Ref	Onderdeelnummer	Kwt	Beschrijving
1	190003962030	1	PLUG, Hex Wash Hd, M18 x 1.5, , A-M18x1,5
2	190003098020	1	DICHTINGSRING, , A18x22-CU
3	336199	1	BOUT, Hex, M8 x 12, 8.8, Full Thd, , M8x12-8.8
4	1397730055	1	STOOTSTUK,
5	86531615	2	SCHROEF, Hex Soc Hd, M6 x 20, 8.8, , M6x20-8.8
7	155700733044	1	DEKSEL, , Einschließlich/Includes/Avec/Inklusive/Compreso 49, 50
8	190003800023	3	SCHROEF, , M8x90-8.8
9	1397730222	1	KONTROLEKLEP, , Siehe nächste Seite(n)/See next page(s)/Voir page(s) suivante(s)/Se næste side(r)/Vedere pagin(a/e) sequent(e/i)
10	1397750113	1	O-RING, , 23,3x2,4mm
11	133700730058	1	CONNECTOR, , ----> .....
12	153700733015	1	CONNECTOR, , ..... ----> / Nur mit/Only with/Selement avec/Kun med/Solo con 13 - Ersetzt/Replaces/Remplace/Udskiftet/Sostituisce 133700730058
13	153700733016	1	AANDRIJFKLAUW, , ..... ----> / Nur mit/Only with/Selement avec/Kun med/Solo con 12
14	133700730074	2	SCHROEF, , M6x30-10.9-A2C
15	15896221	2	MOER, M6, CI 10, , M6-8-A2C, DIN934
16	133700730059	1	AFSTANDSRING,
17	1288730182	1	PIN, LARGE,
18	1397750110	5	O-RING, , 16,3x2,4mm
19	1397750109	1	O-RING, , 11,3x2,4mm
20	1397730205	1	HEFBOOM, , ----> .....
21	155700733095	1	HEFBOOM, , ..... ---->
22	43127	1	BOUT, Hex, M8 x 25, 8.8,
23	190003931102	1	BORGRING, , A8
24	1288 730124	1	HOEKSTUK,
25	825-1405	2	MOER, M5, CI 8,
26	15213321	1	BOUT, Hex, M8 x 35, 8.8,
27	1288730126	1	FRICTIERING,
28	135700730201	1	LAGERBUS,
29	120104	8	BOUT, Hex, M8 x 20, 8.8,
30	43127	1	BOUT, Hex, M8 x 25, 8.8,
31	190003862427	1	SCHROEF, , M8x20-8.8
32	1288730147	1	LAGERBUS,
33	190003098026	1	DICHTINGSRING, , A22x27-CU
34	133700730702	1	RESERVERING,
35	133700730701	1	O-RING,
36	133700730060	1	DEKSEL, , Einschließlich/Includes/Avec/Inklusive/Compreso 2 - 4
37	190003220002	6	SPRING, BELLEVILLE, , C31,5GR1
38	190003901424	1	PEN, , 8M6x24-ST
39	1288730211	2	PIN, LARGE,
40	1288730175	1	VEER,

Ref	Onderdeelnummer	Kwt	Beschrijving
41	1288730053	1	ZWENKWIEL, , 5M6x12-ST
42	1292730124	1	HEFBOOM,
43	190003909620	1	SPANSTIFT, , 5x24
44	190003901212	1	PEN,
45	190003909606	4	SPLITPEN, , 3x18
46	896-11008	3	SLUITRING, M8 x 17.5 x 2, HT, , A8,4
47	1292730122	1	HEFBOOM,
48	1288730100	1	ZWENKWIEL,
49	1288730202	1	PIN, LARGE,
50	1288730386	1	TUIMELAARSTANG,
51	190003888451	1	MOER, , VM8-8
52	1288730158	1	HEFBOOM,
53	1288730212	1	STANG,
60	133700730176	1	VALVE, , Besteht aus/Consists of/Compose de/Bestående af/È composto da de 52 - 58
61	133700730148	1	SCHROEF,
62	133700730157	1	SCHIJF,
63	133700730159	1	VEER,
64	133700730158	1	VEER,
65	133700730150	1	ZUIGER,
66	133700730149	1	SEAT, VALVE,
67	133700730177	1	RING, PACKING,

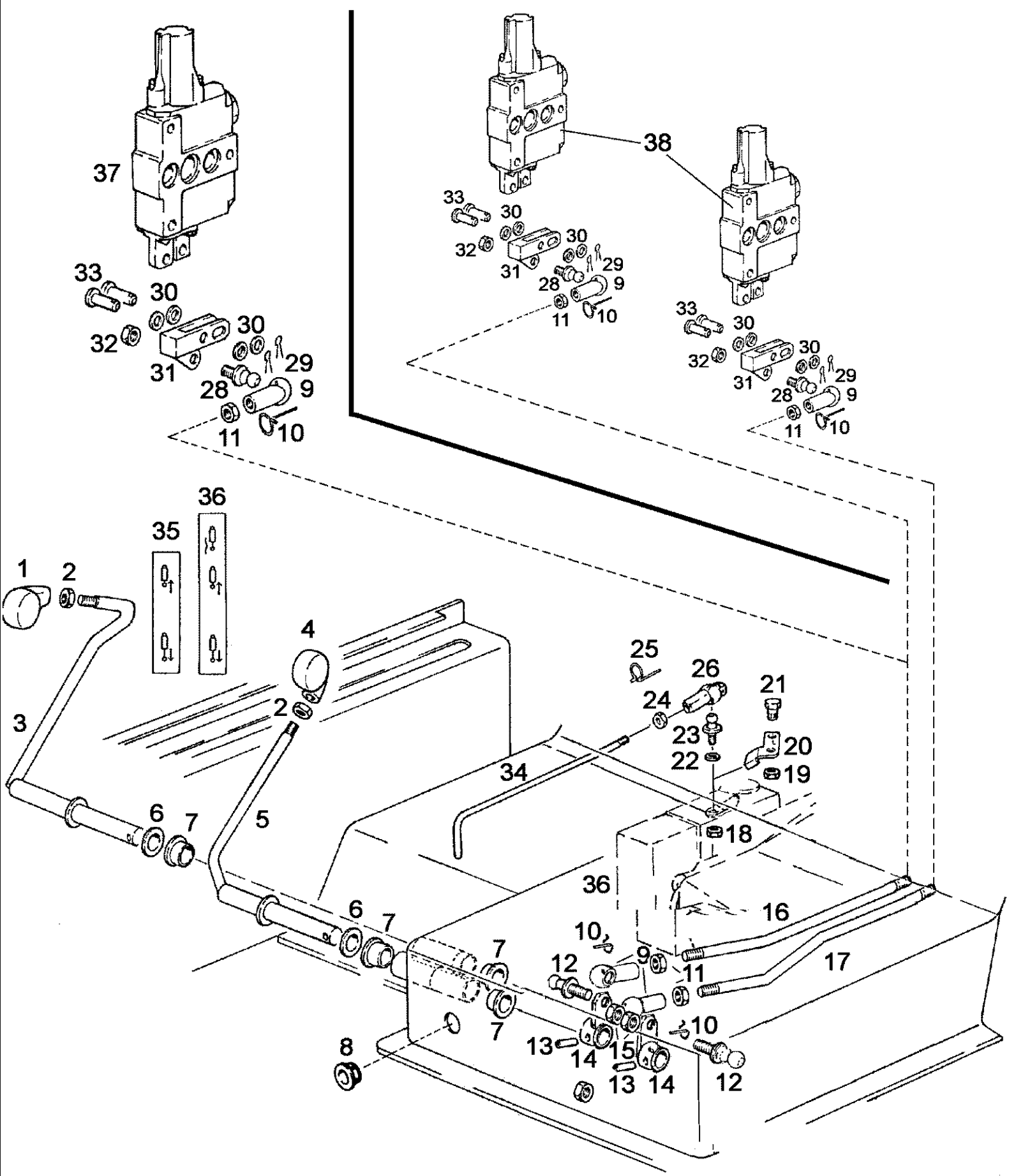




## 08-03(01) CONTROL VALVE DISASSEMBLED

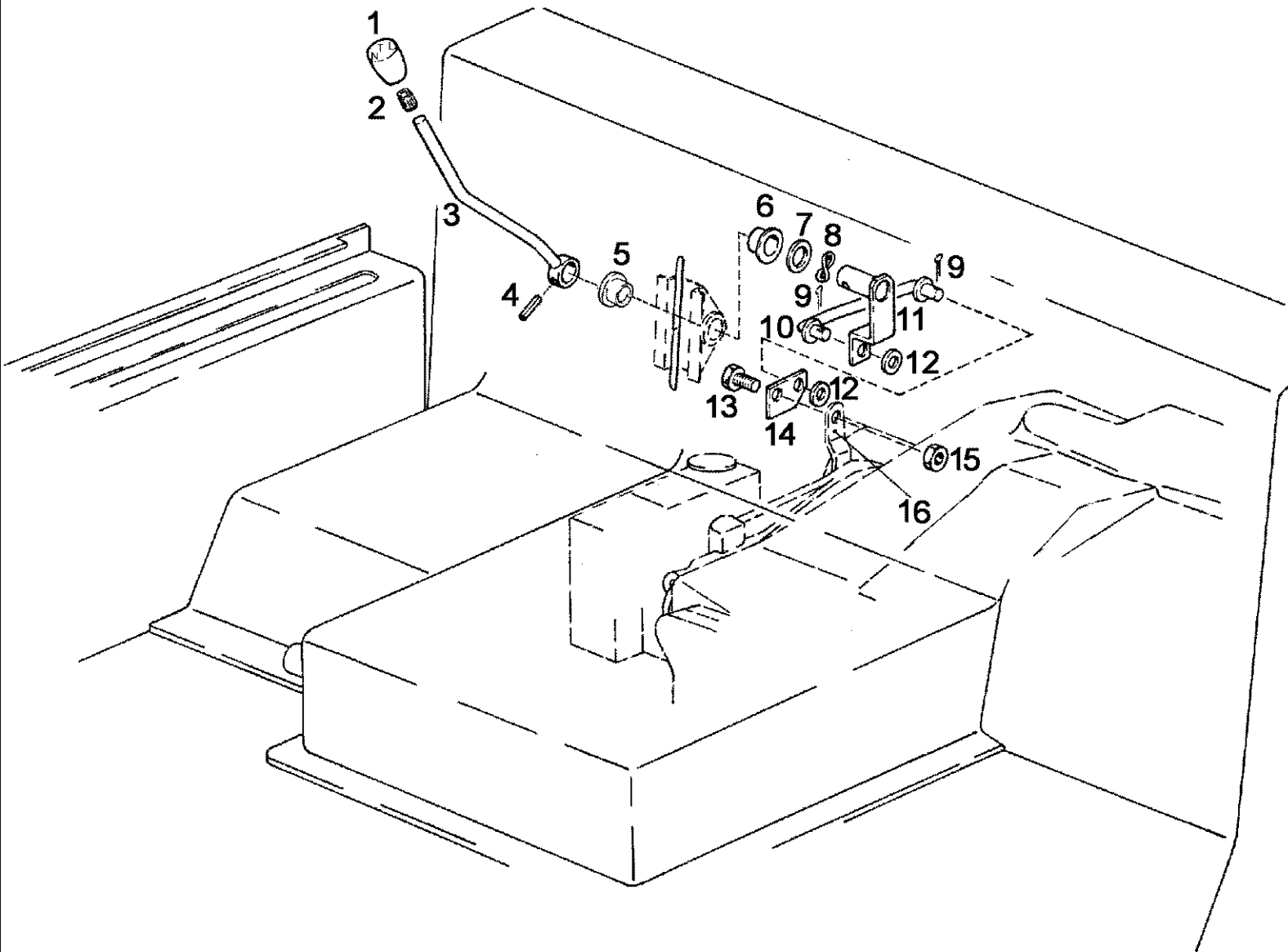
Ref	Onderdeelnummer	Kwt	Beschrijving
-	1397730222	1	KONTROLEKLEP, , Besteht aus/Consists of/Compose de/Bestående af/È composto da 1 - 76
1	1397730709	1	KIT, GASKET, , Besteht aus/Consists of/Compose de/Bestående af/È composto da 4 - 15
2	1397731016	1	KIT, GASKET, , Besteht aus/Consists of/Compose de/Bestående af/È composto da 16 - 18
3	1397731018	1	KIT, GASKET, , Besteht aus/Consists of/Compose de/Bestående af/È composto da 19 - 21
4	1397730770	6	RESERVERING,
5	1397730766	6	O-RING,
6	NSS	1	NIET ALLEEN VERKRIJGBAAR,
7	NSS	1	NIET ALLEEN VERKRIJGBAAR,
8	NSS	2	NIET ALLEEN VERKRIJGBAAR,
9	NSS	1	NIET ALLEEN VERKRIJGBAAR,
10	NSS	1	NIET ALLEEN VERKRIJGBAAR,
11	NSS	1	NIET ALLEEN VERKRIJGBAAR,
12	NSS	1	NIET ALLEEN VERKRIJGBAAR,
13	NSS	1	NIET ALLEEN VERKRIJGBAAR,
14	NSS	1	NIET ALLEEN VERKRIJGBAAR,
15	NSS	1	NIET ALLEEN VERKRIJGBAAR,
16	NSS	1	NIET ALLEEN VERKRIJGBAAR,
17	NSS	1	NIET ALLEEN VERKRIJGBAAR,
18	NSS	1	NIET ALLEEN VERKRIJGBAAR,
19	NSS	1	NIET ALLEEN VERKRIJGBAAR,
20	NSS	1	NIET ALLEEN VERKRIJGBAAR,
21	NSS	1	NIET ALLEEN VERKRIJGBAAR,
30	1397730743	1	SLUITRING,
31	1397730745	1	SPRING, COMPRESSION,
32	NSS	1	NIET ALLEEN VERKRIJGBAAR,
33	1397730728	1	SCHROEF,
34	1397730742	1	WASHER, RUBBER,
35	190003909605	1	SPANSTIFT, , 3x16
36	1397730726	2	PLUG, , M10x1,5
37	1397730750	1	SCHUIFSTUK, , Ø9 f7
38	1397 730793	1	SPOEL, , Ø9,2 f7
39	1397730752	1	VIJZELSCHROEF,
40	1397730751	1	SLUITRING,
41	1397730748	1	SPRING, COMPRESSION,
42	1397730747	1	SEAT, SPRING,
43	190003936214	1	SLUITRING, , 14
44	190003098020	1	DICHTINGSRING, , A18x22-CU
45	1397730755	1	SCHROEF,
46	1397730734	1	CUP, SPRING,
47	1397730735	1	SPRING, COMPRESSION,
48	1397730733	1	PIN, LARGE,

Ref	Onderdeelnummer	Kwt	Beschrijving
49	1397730739	1	EXCENTRIEK,
50	1288730705	1	PLUG,
51	905852R1	1	MOER, Thin, M8 x 1.25, CI 04, LH, , BM8
52	190003902631	1	SCHROEF, , M8x16-45H
53	1397730740	1	SPRING, COMPRESSION,
54	1397730741	1	SCHROEF,
55	1397730738	1	PERNO DE ARADO,
56	1288730736	X	DIKTEPLAAT, , 0,25mm
56	1188730709	X	DIKTEPLAAT, , 0,50mm
56	1397730724	X	DIKTEPLAAT, , 2,50mm
57	1397730737	1	SPRING, COMPRESSION,
58	1397730736	1	VALVE,
60	190003934175	1	RING, SNAP, , 35x1,5
61	1288730748	1	SCHIJF,
62	1288730746	1	CUP, SPRING,
63	1190730727	X	SCHIJF, , 0,30mm
63	1288730745	X	SCHIJF, , 1,00mm
64	1288730744	5	SPRING, BELLEVILLE,
65	1397731025	1	AS,
66	1397730754	1	BOORGVEER,
67	1190730729	1	SCHIJF,
68	1288730750	1	AS,
69	190003900067	1	SPANSTIFT, , 4M6x18-ST
70	1397730732	1	LEVER, CONTROL,
71	1288730752	1	PEN,
72	1397730753	1	AANDRIJFKLAUW,
73	1397730729	1	VEER,
74	190003098026	1	DICHTINGSRING, , A22x27-CU
75	190003962038	1	PLUG, Hex Wash Hd, M22 x 1.5, , A-M22x1,5
76	190003860183	4	SCHROEF, , M8x65-10.9
100	1397731005	1	KIT, GASKET, , Besteht aus/Consists of/Compose de/Bestående af/È composto da 9, 35, 37, 39, 40
101	1397731004	1	KIT, GASKET, , Besteht aus/Consists of/Compose de/Bestående af/È composto da 6, 7, 31, 32
102	1397731007	1	KIT, GASKET, , Besteht aus/Consists of/Compose de/Bestående af/È composto da 34, 49 - 52
103	1397731006	1	KIT, GASKET, , Besteht aus/Consists of/Compose de/Bestående af/È composto da 12 - 15, 60, 64, 66, 67, 69, 71, 77



Ref	Onderdeelnummer	Kwt	Beschrijving
1	1397730120	1	HENDEL,
2	905852R1	1	MOER, Thin, M8 x 1.25, CI 04, LH, , BM8-04-A2C
3	131700730212	1	LEVER, CONTROL,
4	133700730454	1	HENDEL, , Rot/Red/Rouge/Rød/Rosso
5	131700730216	1	LEVER, CONTROL,
6	133700410168	X	SLUITRING,
7	1-34-544-409	2/4	LAGERBUS,
8	137700750100	1	LAGERBUS,
9	190003963623	2/4	KOGELGEWRIGHT, , B13-A2C
10	190003936514	2/4	SCHARNIER, , S13-A3C
11	825-1408	2/4	MOER, M8, CI 8,
12	190003963316	1/2	KOGELGEWRIGHT, , C13-A2C
13	190003909650	1/2	SPANSTIFT, , 6x26
14	131700730213	1/2	AANDRIJFKLAUW,
15	190003888451	1/2	MOER, , VM8-A2C
16	133700732026	1	STANG,
17	133700732338	1	STANG,
18	190003888608	1	MOER, , VM6-8-A2C
19	15896221	1	MOER, M6, CI 10, , M6-8-A2C, DIN934
20	133700732290	1	HEFBOOM,
21	190003802307	1	SCHROEF, , M6x10-8.8-A2C
22	190003930251	2	SCHIJF, , A6,4-140HV-A3C
23	190003963313	1	KOGELHOUDER, , C10-A2C
24	15896221	1	MOER, M6, CI 10, , M6-8-A2C, DIN934
25	190003936513	1	SLUITPEN, , S10-A3C
26	190003963616	1	KOGELPEN, , B10
27	133700732291	1	KOGELGEWRIGHT, , B10-A2C
28	190003963316	1/2	KOGELGEWRIGHT, , C13-A2C
29	190003920041	2/4	SPLITPEN, , 1,6x14-ST-A4C
30	896-11008	4/8	SLUITRING, M8 x 17.5 x 2, HT, , A8,4-140HV_A3C
31	131700730257	1/2	HOEKSTUK, , Ersetzt/Replaces/Remplace/Udskiftet/Sostituisce 131700730215
32	190003888451	2/4	MOER, , VM8-8-A2C
33	190003903628	2/4	PEN, , 8H11x28x25-ST-A3C
34	131700730256	1	STANG,
35	133700732511	1	DECAL,
36	133700732512	1	DECAL,
37		1	, ZUSATZSTEUERGERÄT/AUXILIARY VALVE/VALVE AUXILIAIRE/EKSTRA STYRENHED/CENTRALINA SUPPLEMENTARE - Siehe nächste Seite(n)/See next page(s)/Voir page(s) suivante(s)/Se næste side(r)/Vedere pagin(a/e) seguent(e/i)

Ref	Onderdeelnummer	Kwt	Beschrijving
38		1	, STEUERGERÄT/CONTROL VALVE/DISTRIBUTEUR/STYREENHED/CENTRALINA - Siehe Seite(n) vorne/See page(s) before/Voir page(s) avant(es)/Se side(r) forrest/Vedere pagin(a/e) precedent(e/i)

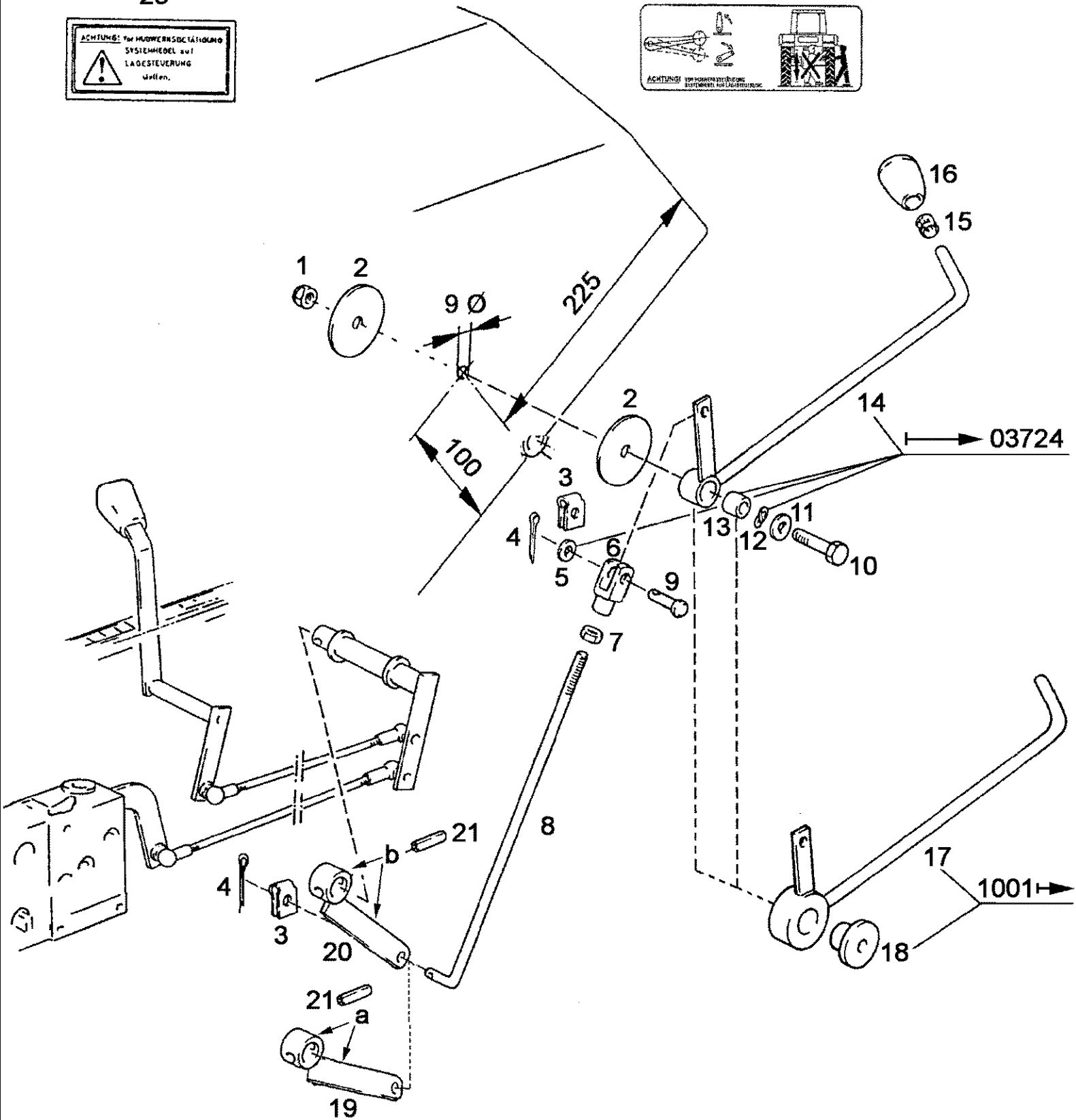
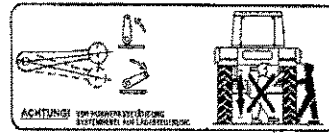
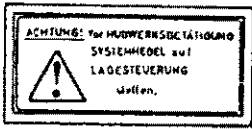


Ref	Onderdeelnummer	Kwt	Beschrijving
1	1288730225	1	GRIP,
2	1288730233	1	LAGERBUS,
3	133700730483	1	LEVER, CONTROL, , N-T-L
4	190003909650	1	SPANSTIFT, , 6x26
5	1-34-544-411	1	LAGERBUS,
6	1-34-544-408	1	LAGERBUS,
7	190003930301	1	SLUITRING, , A17-140HV-A3C
8	190003932018	1	WASHER, SPRING, , B16-FST-A3C
9	190003920217	2	SPLITPEN, , 3,2x16-ST-A4C
10	131700730248	1	STANG,
11	131700730210	1	TUIMELAARSTANG,
12	190003930271	2	SCHIJF, , A10,5-140HV-A3C
13	43138	1	BOUT, Hex, M10 x 20, 8.8, Full Thd,
14	133700730477	1	VERWISSELBAAR RISTERVOORS,
15	190003888452	1	MOER, , VM10-8-A3C
16	1397730205	1	HEFBOOM, , ----> ..... - Siehe Seite(n) vorne/See page(s) before/Voir page(s) avant(es)/Se side(r) forrest/Vedere pagin(a/e) precedent(e/i)
16	155700733095	1	HEFBOOM, , ..... ----> - Siehe Seite(n) vorne/See page(s) before/Voir page(s) avant(es)/Se side(r) forrest/Vedere pagin(a/e) precedent(e/i)

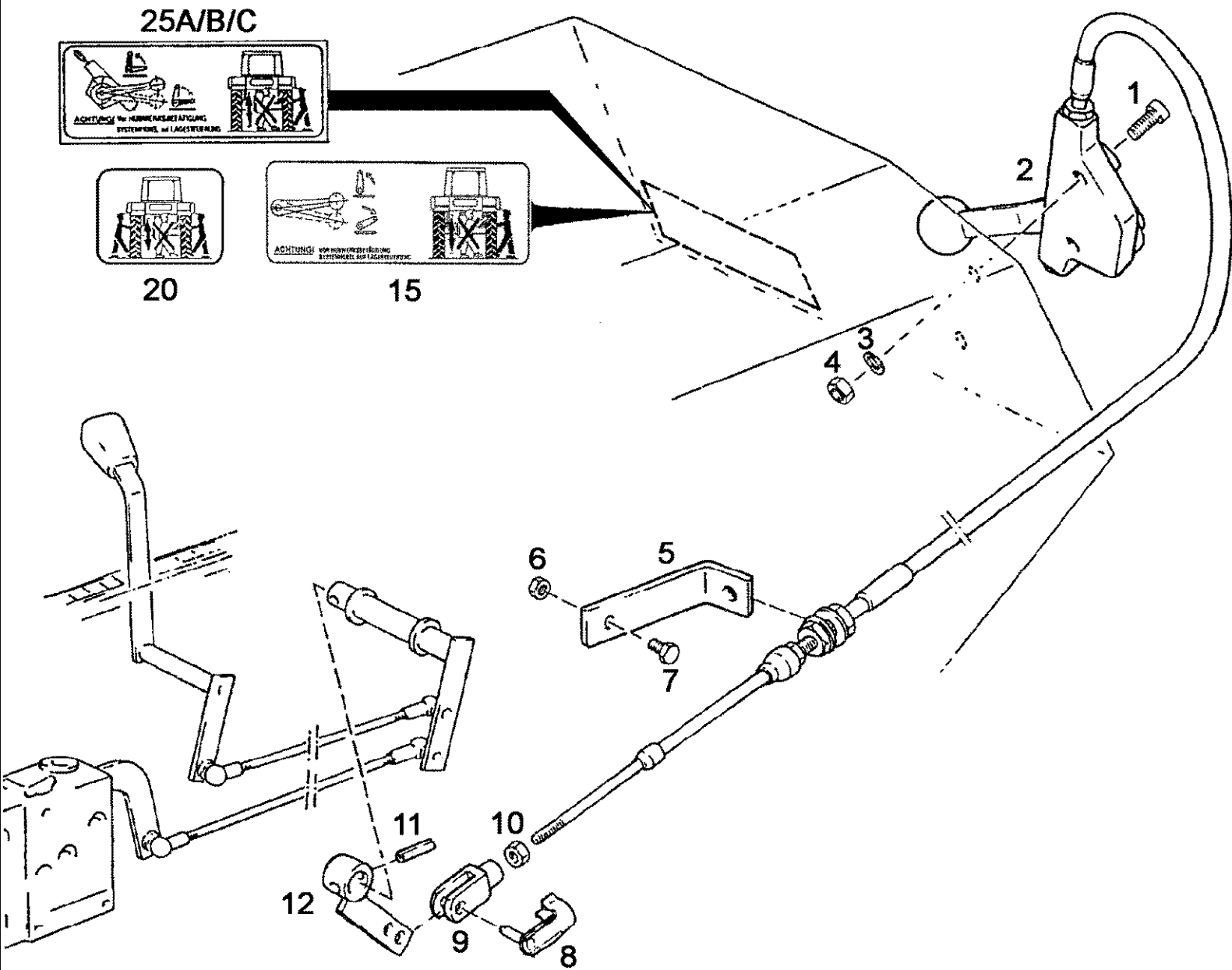


25

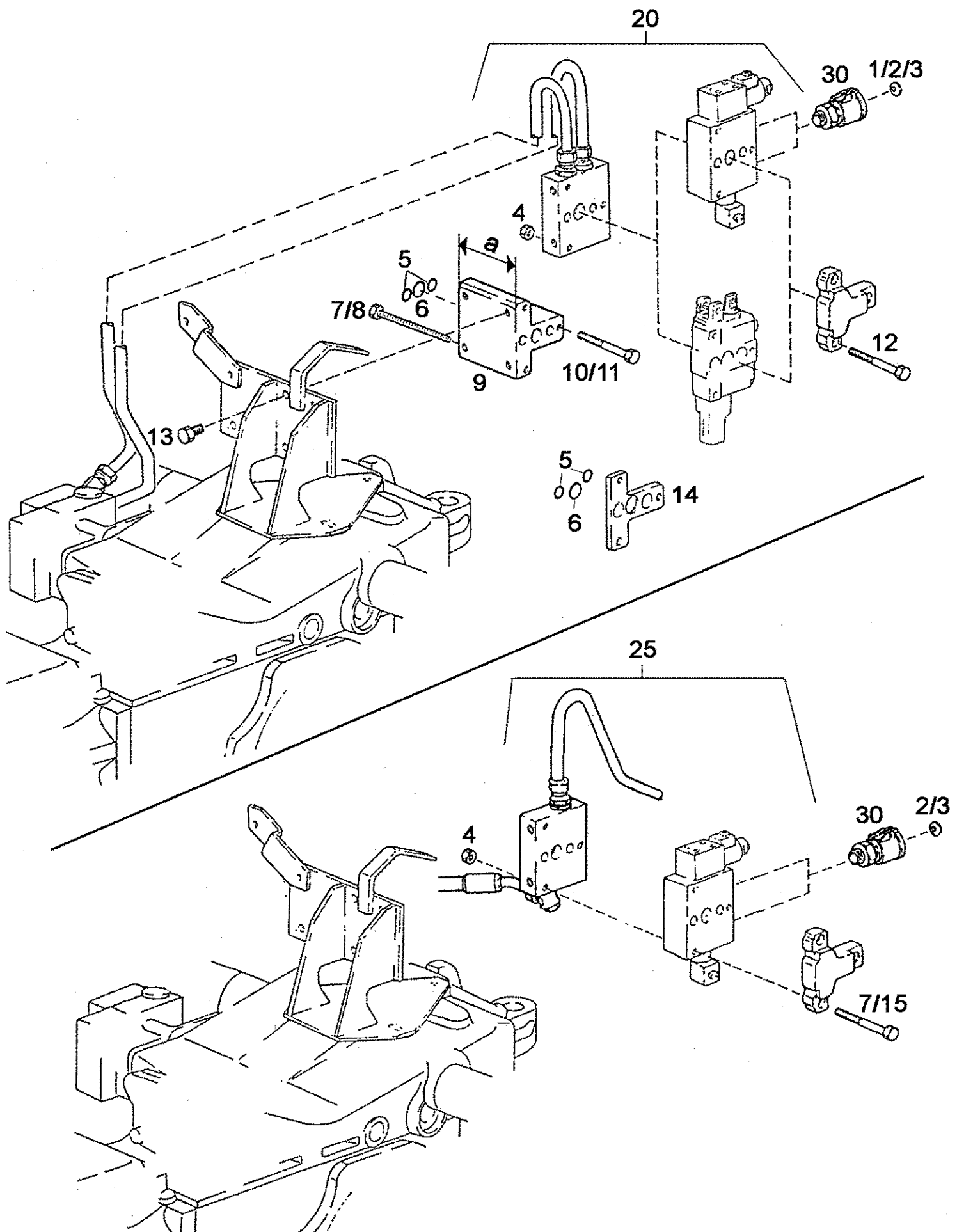
30



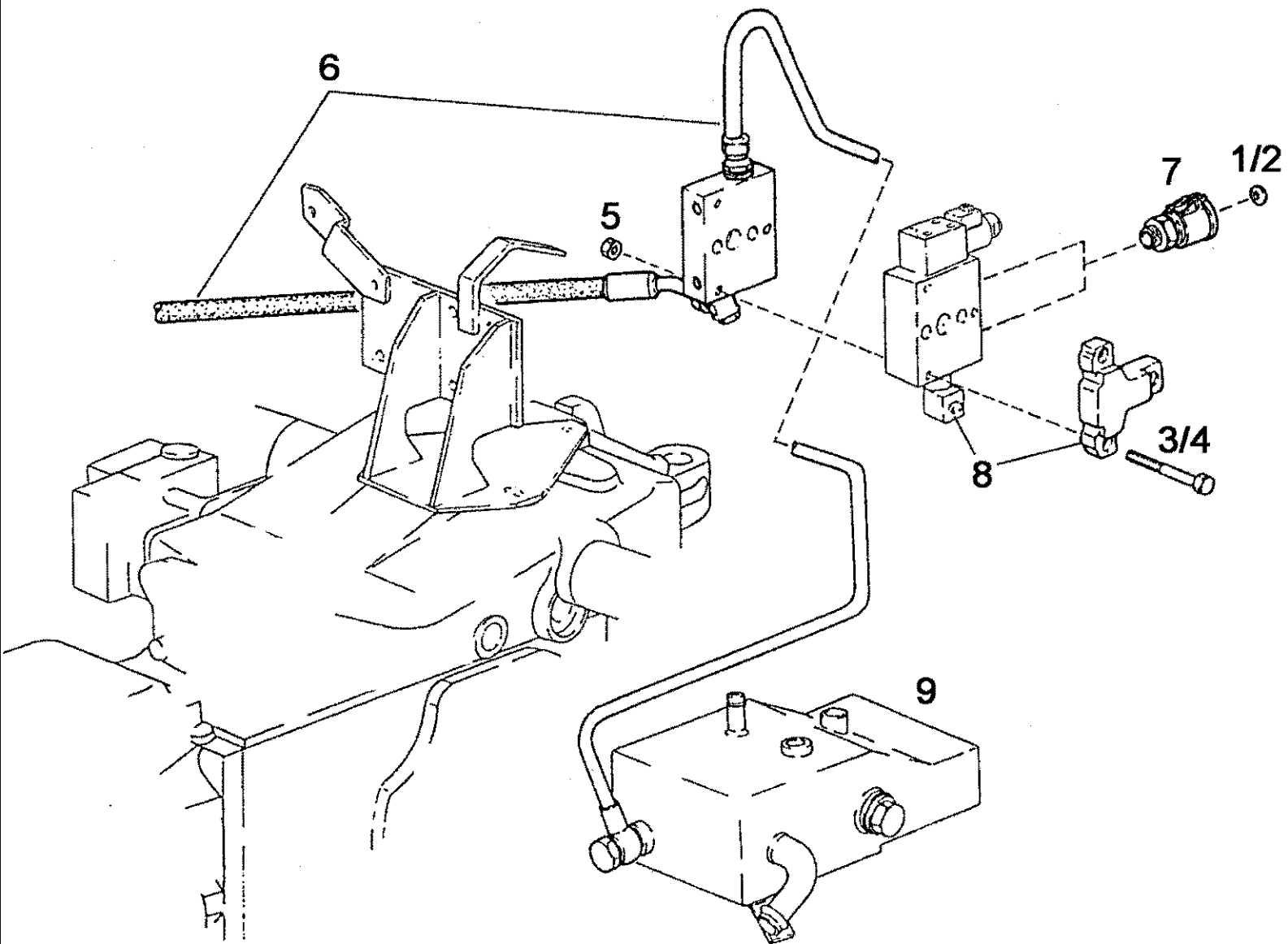
Ref	Onderdeelnummer	Kwt	Beschrijving
1	190003888451	1	MOER, , VM8-8-A2C
2	131700730252	2	SLUITRING,
3	1397750128	2	VEER,
4	190003920121	2	SPLITPEN, , 2x14-ST-A4C
5	896-11008	1	SLUITRING, M8 x 17.5 x 2, HT, , A8,4-140HV-A3C, 03725---->
6	190003964418	1	GAFFEL, , G8x16-A2C
7	825-1408	1	MOER, M8, CI 8,
8	133700730490	1	SCHROEFSTANG,
9	190003903133	1	PIN, LARGE, , 8H11x22x19-ST-A3C
10	190003802447	1	SCHROEF, , M8x45-8.8-A2C
11	190003932613	1	SCHIJF, , R9-100HV-A3C
12	190003932038	1	WASHER, SPRING, , B14-FST-A3C, ----> 03724
13	1-99-942-064	1	LAGERBUS, , ----> 03724
14	135700730304	1	HEFBOOM, , ----> 03724
15	1288730233	1	LAGERBUS,
16	1288730229	1	GRIP,
17	1-32-173-088	1	LEVER, CONTROL, , 03725---->, Ersetzt/Replaces/Remplace/Udskiftet/Sostituisce 133700732324
18	133700732328	1	LAGERBUS, , 03725---->
19	133700730488	1	AANDRIJFKLAUW, , a= ca. 42° - ----> .....
20	133700732339	1	AANDRIJFKLAUW, , b= ca. 58° - ..... ---->
21	190003909661	1	SPANSTIFT, , 6x24
-	190003935007	1	SCHIJF, , 8-ST-A3C
25	1397730204	1	DECAL, , ----> .....
30	1-34-677-611	1	DECAL, ..... ---->, Ersetzt/Replaces/Remplace/Udskiftet/Sostituisce 1397730204



Ref	Onderdeelnummer	Kwt	Beschrijving
1	190003802349	1	SCHROEF, , M6x40-8.8
2	1-34-544-621	1	REMOTE CONTROL, , Ersetzt/Replaces/Remplace/Udskiftet/Sostituisce 1-34-544-631
3	190003936101	1	SLUITRING, , 6,4-140HV-A3C
4	825-1405	1	MOER, M5, CI 8,
5	1-34-544-301	1	HOEKSTUK,
6	825-1408	1	MOER, M8, CI 8,
7	43127	1	BOUT, Hex, M8 x 25, 8.8,
8	133700290129	1	PIN, LARGE,
9	190003964423	1	GAFFEL, , G8x32-A2C
10	825-1405	1	MOER, M5, CI 8,
11	190003909661	1	SPANSTIFT, , 6x24
12	1-34-544-303	1	LEVER, CONTROL,
15	1-34-577-302	1	DECAL, , Deutsch/German/Allemand/Tysk/Tedesco - ----> .....
15	1-34-577-330	1	DECAL, , Französisch/French/Francais/Fransk/Francese - ----> .....
20	1-34-677-610	2	DECAL,
25A	1-34-677-611	1	DECAL, , Deutsch/German/Allemand/Tysk/Tedesco: MHR - ..... ---->/Ersetzt/Replaces/Remplace/Udskiftet/Sostituisce 1-34-577-302
25B	1-34-677-618	1	DECAL, , Englisch/English/Anglais/Engelsk/Inglese: MHR - ..... ---->
25C	1-34-677-616	1	DECAL, , Französisch/French/Francais/Fransk/Francese: MHR - ..... ---->/Ersetzt/Replaces/Remplace/Udskiftet/Sostituisce 1-34-577-330

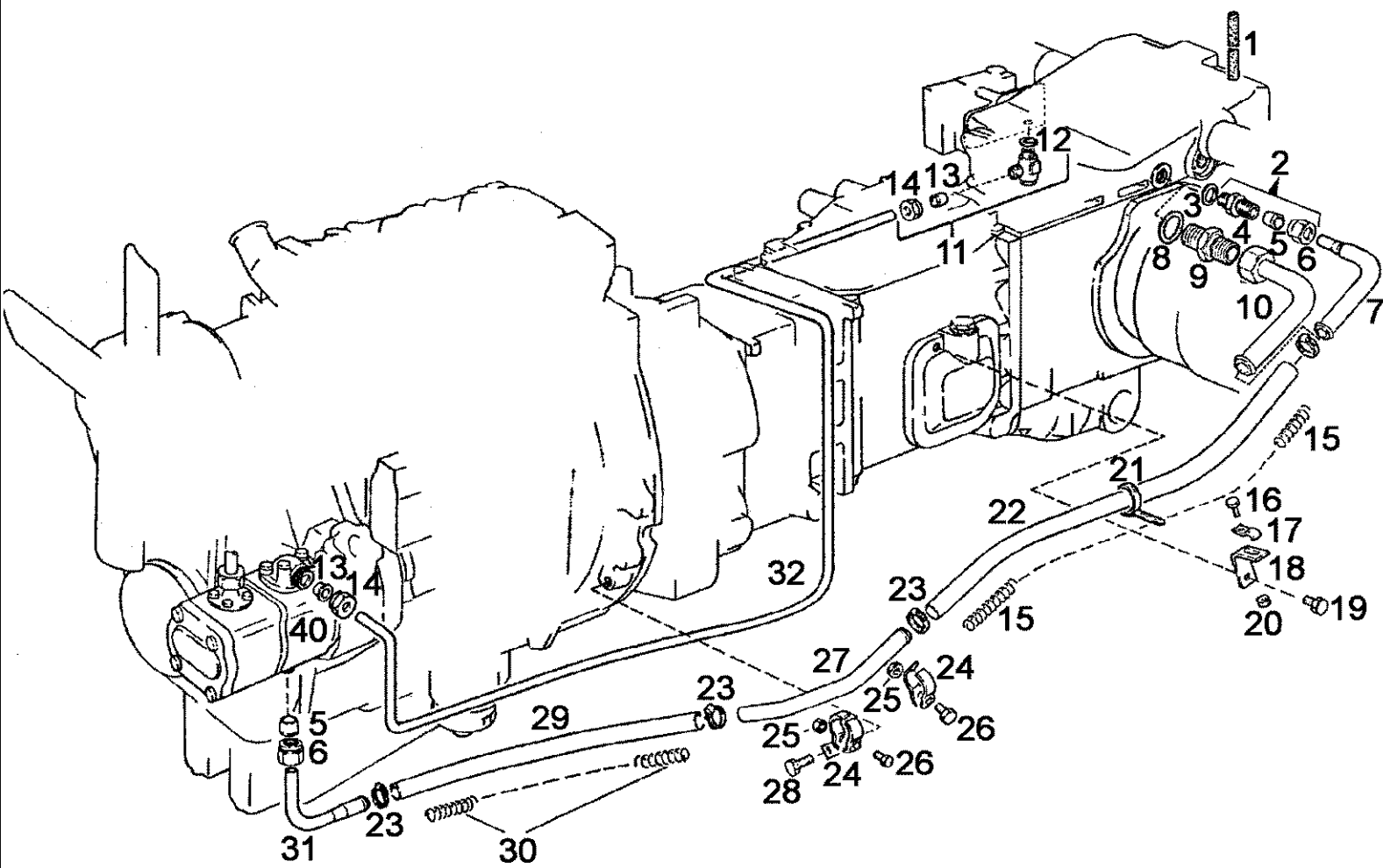


Ref	Onderdeelnummer	Kwt	Beschrijving
1	1-32-573-242	2	DRAADKLEM, , Rot+/Red+/Rouge+/Rød+/Rosso+
1	1-32-573-252	2	DRAADKLEM, , Rot-/Red-/Rouge-/Rød-/Rosso-
2	1-32-573-246	2	KLEM, , Grün+/Green+/Vert+/Grøn+/Verde+
2	1-32-573-256	2	KLEM, , Grün-/Green-/Vert-/Grøn-/Verde-
3	1-32-573-245	2	KLEM, , Blau+/Blue+/Bleu+/Blå+/Blu+
3	1-32-573-255	2	KLEM, , Blau-/Blue-/Bleu-/Blå-/Blu-
4	825-1408	3	MOER, M8, CI 8,
5	1397750110	2	O-RING, , 16,3x2,4
6	190003120574	2	RING, PACKING, , 25,3x2,4-DR150H
7	190003800497	3	SCHROEF, , M8x160-8.8-A2C
8	190003800493	3	SCHROEF, , M8x150-8.8-A2C
9	155700733040	1	PLATE, BACK, , a=88mm - Ersetzt/Replaces/Remplace/Udskiftet/Sostituisce 153700730062
9	155700730137	1	BLOK, , a=130mm
10	190003800472	3	SCHROEF, , M8x85-8.8-A2C
11	190003800494	3	SCHROEF, , M8x140-8.8-A2C
12	190003800479	3	SCHROEF, , M8x100-8.8-A2C
13	11106231	4	BOUT, Hex, M10 x 25, 10.9, Full Thd, , M10x25-8.8
14	155700730064	1	AFSTANDSRING, , Wahlweise/Optional/En option/Efter valg/A scelta
14	155700730109	1	AFSTANDSRING, , Wahlweise/Optional/En option/Efter valg/A scelta
15	190003802493	3	SCHROEF, , M8x110-8.8-A2C
20		X	, STEUERGERÄT/CONTROL VALVE/DISTRIBUTEUR/STYREENHED/CENTRALINA - Siehe nächste Seite(n)/See next page(s)/Voir page(s) suivante(s)/Se næste side(r)/Vedere pagin(a/e) seguent(e/i)
25		X	, STEUERGERÄT/CONTROL VALVE/DISTRIBUTEUR/STYREENHED/CENTRALINA - Siehe nächste Seite(n)/See next page(s)/Voir page(s) suivante(s)/Se næste side(r)/Vedere pagin(a/e) seguent(e/i)
30		X	, KUPPLUNGSMUFFE/SLEEVE, COUPLING/MANCHON/KOBLINGSMUFFE/MANICOTTO DISTACCO FRIZIONE - Siehe nächste Seite(n)/See next page(s)/Voir page(s) suivante(s)/Se næste side(r)/Vedere pagin(a/e) seguent(e/i)

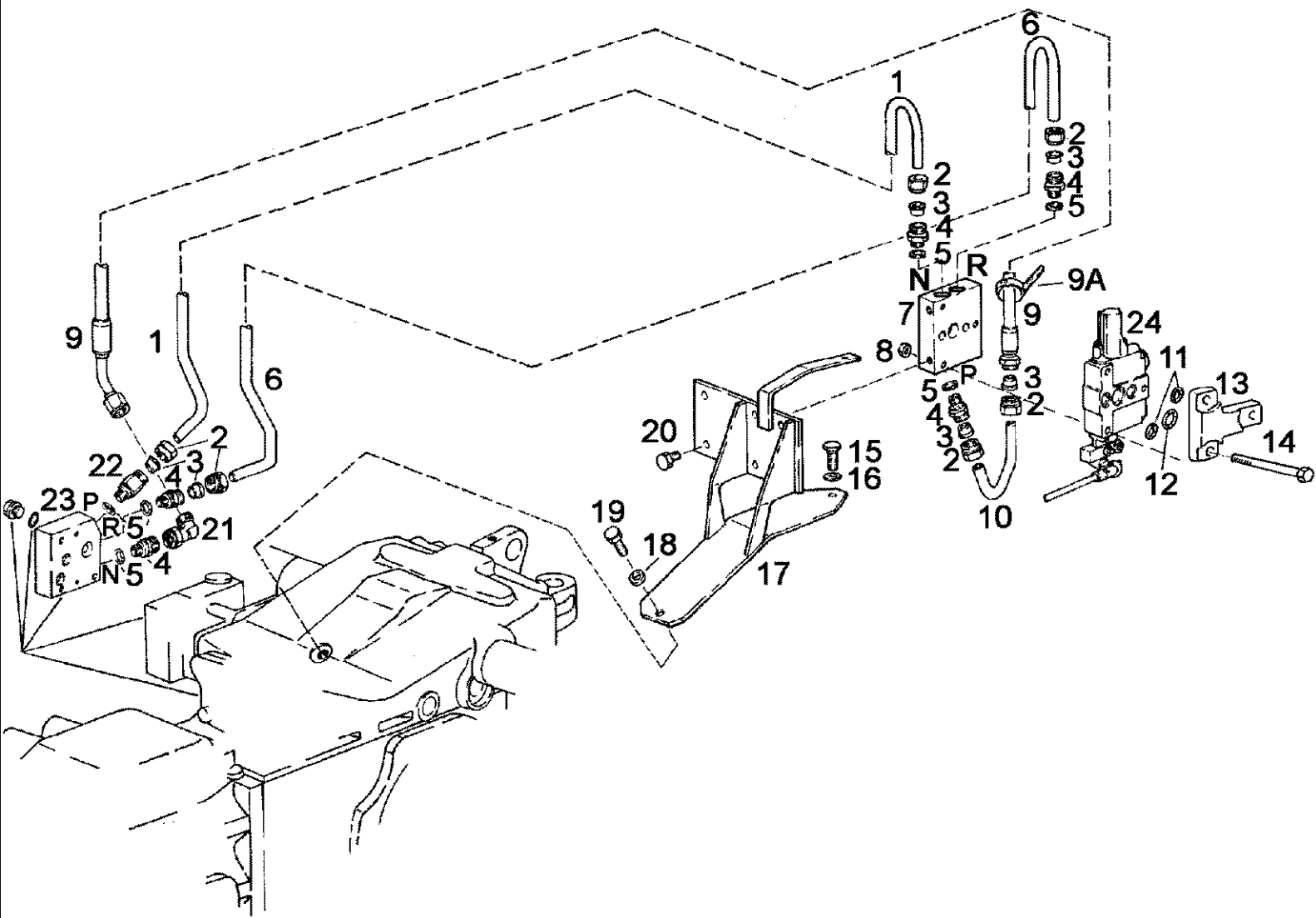


Ref	Onderdeelnummer	Kwt	Beschrijving
1	1-32-573-246	1	KLEM, , Grün+/Green+/Vert+/Grøn+/Verde+
1	1-32-573-256	1	KLEM, , Grün-/Green-/Vert-/Grøn-/Verde-
2	1-32-573-245	1	KLEM, , Blau+/Blue+/Bleu+/Blå+/Blu+
2	1-32-573-255	1	KLEM, , Blau-/Blue-/Bleu-/Blå-/Blu-
3	190003802493	1	SCHROEF, , M8x110-8.8-A2C
5	825-1408	1	MOER, M8, CI 8,
4	190003800497	1	SCHROEF, , M8x160-8.8-A2C
5	825-1408	1	MOER, M8, CI 8,
6		1	, HYDRAULIKKREISLAUF/HYDRAULIC CIRCUIT/CIRCUIT HYDRAULIQUE/HYRAULIKKREDSLØB/CIRCUITI IDRAULICO - Siehe nächste Seite(n)/See next page(s)/Voir page(s) suivante(s)/Se næste side(r)/Vedere pagin(a/e) sequent(e/i)
7		1	, KUPPLUNGSMUFFE/SLEEVE, COUPLING/MANCHON/KOBLINGSMUFFE/MANICOTTO DISTACCO FRIZIONE - Siehe nächste Seite(n)/See next page(s)/Voir page(s) suivante(s)/Se næste side(r)/Vedere pagin(a/e) sequent(e/i)
8		1	, STEUERGERÄT/CONTROL VALVE/DISTRIBUTEUR/STYREENHED/CENTRALINA - Siehe nächste Seite(n)/See next page(s)/Voir page(s) suivante(s)/Se næste side(r)/Vedere pagin(a/e) sequent(e/i)
9		1	, ÖLBEHÄLTER/OIL CONTAINER/RESERVOIR D'HUILE/OLIEBEHOLDERT/SERBATOIO OLIO - Siehe nächste Seite(n)/See next page(s)/Voir page(s) suivante(s)/Se næste side(r)/Vedere pagin(a/e) sequent(e/i)

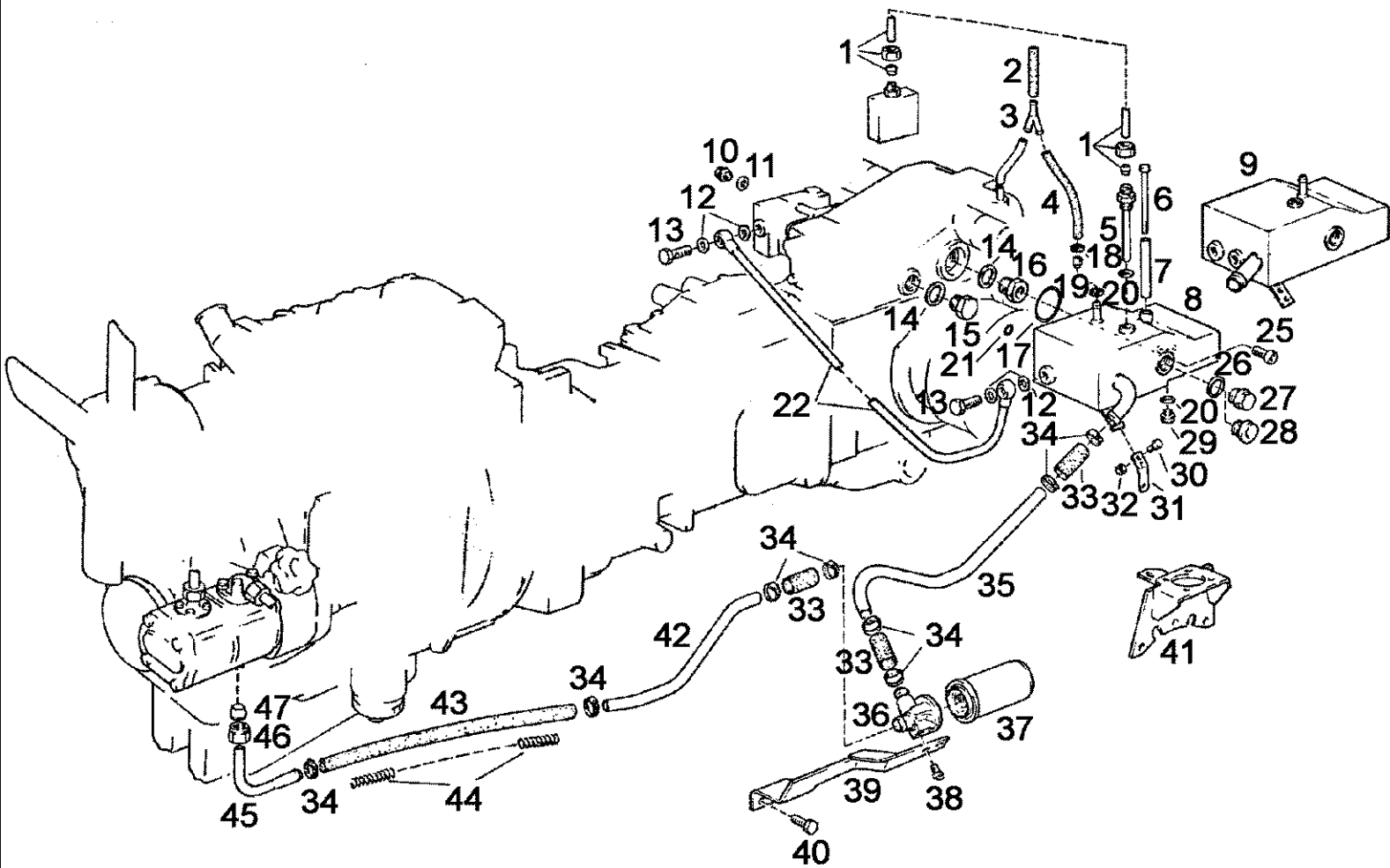




Ref	Onderdeelnummer	Kwt	Beschrijving
1	1614150045	1	FLEXIBELE BUIS,
2	190003559872	1	SCHROEF, , CL28-ST - Besteht aus/Consists of/Compose de/Bestående af/È composto da 3 - 6
3	190003098071	1	DICHTINGSRING, , A33x39-CU/ ----> .....
4	190003551247	1	FITTING, , L28A-M-ST-A3C/ ----> .....
5	190003559566	2	TONNETJE, , L28-ST-A3C/ ----> .....
6	190003559505	2	NUT, TUBE, , AL28-A3C/ ----> .....
7	133700732146	1	BUISJE, , Hinten/Rear/Derrière/Bagest/Posteriore/----> .....
8	190003098064	1	RING, PACKING, , A42x49-CU/..... ---->
9	190003551367	1	FITTING, , L35A-M-ST-A3C/..... ---->
10	1-32-273-107	1	OPVULPIJP, , Hinten/Rear/Derrière/Bagest/Posteriore/..... ---->
11	133700470161	1	JOINT, SWING, , Besteht aus/Consists of/Compose de/Bestående af/È composto da 12 - 14
12	133700470139	1	O-RING,
13	190003559562	1	TONNETJE, , L15-ST-A3C
14	190003559515	1	MOER, , AL15-A3C
15	133700732152	1	STAALDRAAD, , Hinten/Rear/Derrière/Bagest/Posteriore
16	86977726	1	BOUT, Hex, M6 x 12, 8,8,
17	1188770026	1	CLAMP,
18	1-35-127-010	1	HOEKSTUK,
19	190003844558	1	SCHROEF, , 6,3x16
20	190003888608	1	MOER, , VM6-8-A2C
21	190003170283	1	BUISKLEM, , A8x280 / K04
22	133700732151	1	LEIDING, , Hinten/Rear/Derrière/Bagest/Posteriore
23	190003989305	4	SPANHULS, , 3248-A3C
24	135700730091	3	CLAMP,
25	190003888451	2	MOER, , VM8-8-A2C
26	15213321	2	BOUT, Hex, M8 x 35, 8,8,
27	133700732145	1	BUISJE, , Mitte/Centre/Centre/Midtfor/Centro
28	133700732032	1	CLAMP,
29	133700732149	1	LEIDING, , Vorne/Front/Avant/Forrest/Anteriore
30	133700732150	1	STAALDRAAD, , Vorne/Front/Avant/Forrest/Anteriore
31	133700732144	1	ELLEBOOG, , Vorne/Front/Avant/Forrest/Anteriore
32	133700732048	1	DRUKLEIDING,
40		1	, HYDRAULIKPUMPE/HYDRAULIC PUMP/POMPE HYDRAULIQUE/HYDRAULIKPUMPE/POMPA IDRAULICA - Siehe Seite(n) vorne/See page(s) before/Voir page(s) avant(es)/Se side(r) forrest/Vedere pagin(a/e) precedent(e/i)

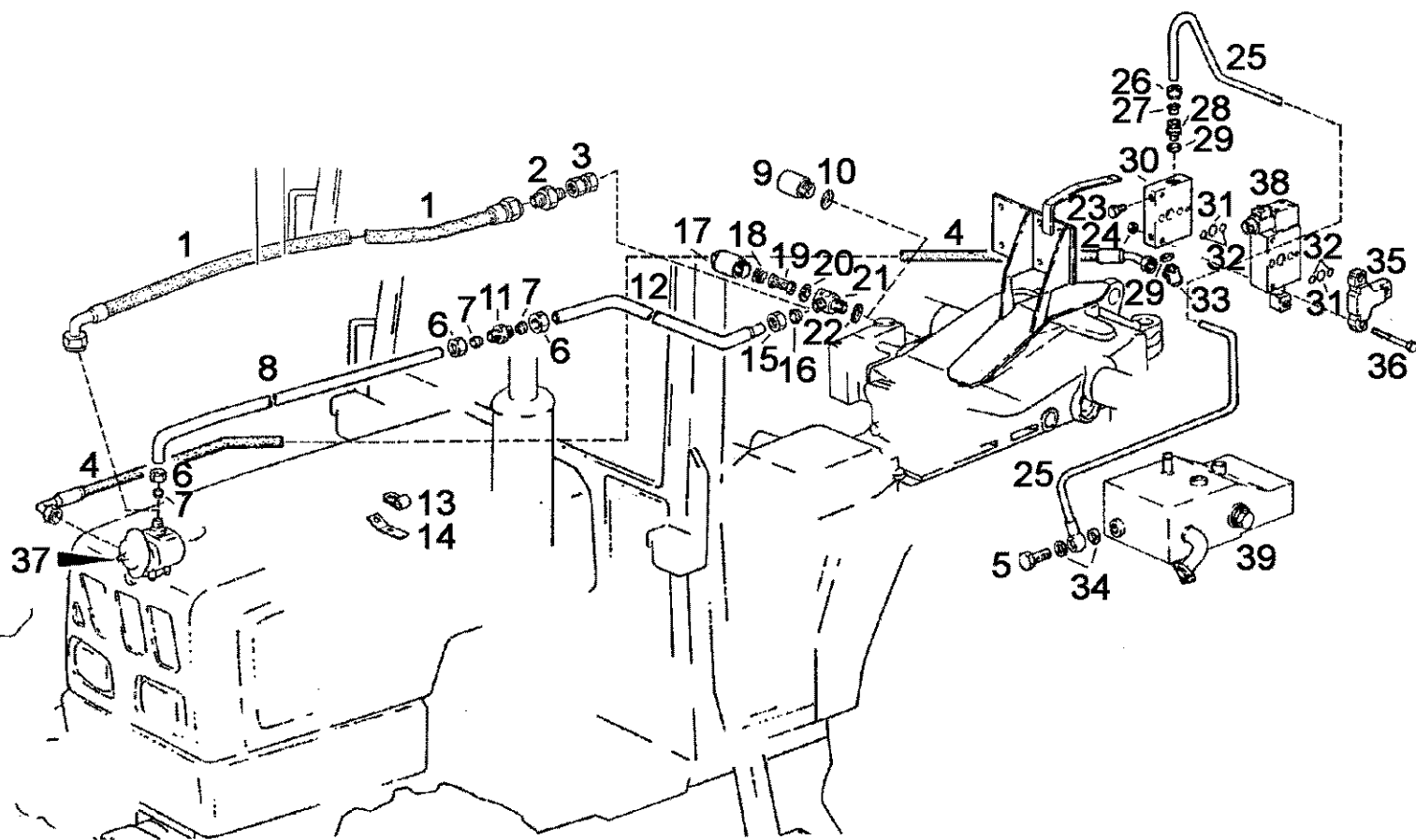


Ref	Onderdeelnummer	Kwt	Beschrijving
1	133700730450	1	OPVULPIJP,
2	190003559515	6	MOER, , AL15-A3C
3	190003559562	6	TONNETJE, , L15-ST-A3C
4	190003559494	5	VERBINDING, , L15A-M-ST-A3C
5	190003098021	6	DICHTINGSRING, , A18x24-CU
6	133700730449	1	LEIDING,
7	155700730341	1	PLAAT, , Ersetzt/Replaces/Remplace/Udskiftet/Sostituisce 155700730107
8	825-1408	3	MOER, M8, CI 8,
9	133700732170	1	FLEXIBELE BUIS, , l=720mm
9A	190003171697	2	BEVESTIGINGSKLEM, , A5x180 / K02
10	133700732171	1	BUISJE,
11	1397750110	2	O-RING, , 16,3x2,4
12	190003120574	1	RING, PACKING, , 25,3x2,4-DR150H
13	155700730163	1	PLAAT, , Ersetzt/Replaces/Remplace/Udskiftet/Sostituisce 155700730108
14	190003802455	3	SCHROEF, , M8x55-8.8-A2C - Wahlweise/Optional/En option/Efter valg/A scelta
15	190003802538	1	SCHROEF, , M10x40-8.8-A3C
16	190003930271	1	SCHIJF, , A10,5-140HV-A3C
17	133700732214	1	GUIDE, LEVERS,
18	190003930282	1	SCHIJF, , A13-140HV-A3C
19	190003802632	1	SCHROEF, , M12x35-8.8-A3C
20	43138	2	BOUT, Hex, M10 x 20, 8.8, Full Thd,
21	190003559493	1	VERBINDING, , L15-ST-A3C
22	133700732232	1	VERLOOPSTUK, , M18x1,5-M22x1,5
23		1	, ANSCHLUSSPLATTE/CONNECTING PLATE/PLAQUE DE RACCORDEMENT/TILSLUTNINGSPLADE/PIASTRA DI RACCORDO - Siehe Seite(n) vorne/See page(s) before/Voir page(s) avant(es)/Se side(r) forrest/Vedere pagin(a/e) precedent(e/i)
24		1	, ZUSATZSTEUERGERÄT/AUXILIARY VALVES EGE/VALVE AUXILIAIRE/EKSTRA STYREENHED/CENTRALINA SUPPLEMENTARE - Siehe nächste Seite(n)/See next page(s)/Voir page(s) suivante(s)/Se næste side(r)/Vedere pagin(a/e) seguent(e/i)



Ref	Onderdeelnummer	Kwt	Beschrijving
1	133700732125	1	BUISLEIDING, , 15x1,5x600
2	190003169195	2	FLEXIBELE BUIS, , 13x20x120
3	133700732128	1	FITTING,
4	190003169195	1	FLEXIBELE BUIS, , 13x20x280
5	133700730109	1	BUISLEIDING,
6	190003800180	1	SCHROEF, , Für/For/Pour/Til/Per 955/A
7	133700732046	1	OPVULPIJP, , Für/For/Pour/Til/Per 955/A
8	133700732014	1	CONTAINER, , Für/For/Pour/Til/Per 955/A
9	133700732470	1	OIL RESERVOIR, , Für/For/Pour/Til/Per 964/A,970A - Ersetzt/Replaces/Remplace/Udskiftet/Sostituisce 133700730493
10	190003962030	2	PLUG, Hex Wash Hd, M18 x 1.5, , A-M-18x1,5-ST-A3C
11	190003098020	2	DICHTINGSRING, , A18x22-CU
12	190003098026	4	DICHTINGSRING, , A22x27-CU
13	190003962643	2	VIJZELSCHROEF, , 18/3
14	190003098071	1	DICHTINGSRING, , A33x39-CU
15	190003960010	1	SCHROEF, , M33x2-ST-A3C
16	133700730499	1	SCHROEF, , M33x1,5
17	1192730010	1	O-RING, , 70x4
18	190003989302	1	KLEM, , 13/19-A3C
19	133700732226	1	VALVE,
20	190003098026	2	DICHTINGSRING, , A22x27-CU
21	1397750110	1	O-RING, , 16,3x2,4
22	133700732123	1	BUISLEIDING,
25	133700730297	1	SCHROEF,
26	190003098062	1	RING, PACKING, , M38x44-CU
27	190003962066	1	SCHROEF, , C-M38x1,5-ST-A3C - Wahlweise/Optional/En option/Efter valg/A scelta
28	12700330038	1	SCHROEF, , M38x1,5 - Wahlweise/Optional/En option/Efter valg/A scelta
29	190003962038	1	PLUG, Hex Wash Hd, M22 x 1.5, , A-M-22x1,5-ST-A3C
30	190003802415	2	SCHROEF, , M8x18-8.8-A2C
31	133700732137	1	HOEKSTUK,
32	825-1408	2	MOER, M8, CI 8,
33	190003160004	3	FLEXIBELE BUIS, , 35x43x80
34	190003989305	6/8	SPANHULS, , 32/48-A3C
35	133700732018	1	AANZUIGLEIDING, , 955/A/964/A, 970A ----> .....
35	133700732565	1	AANZUIGLEIDING, , 964/A, 970A ..... ---->
36	135700730068	1	COVER, FILTER,
37	1397750036	1	FILTER,
38	43138	2	BOUT, Hex, M10 x 20, 8.8, Full Thd,
39	133700732129	1	KONZOOL,
40	190003800721	2	SCHROEF, , M14x45-8.8-A3C
41	133700732117	1	LAGER, , Für/For/Pour/Til/Per 955/A

Ref	Onderdeelnummer	Kwt	Beschrijving
42	133700732153	1	OPVULPIJP, , ..... ---->
43	133700732149	1	LEIDING, ..... ---->
44	133700732150	1	STAALDRAAD, ..... ---->
45	133700732144	1	ELLEBOOG, , ..... ---->
46	190003559505	1	NUT, TUBE, , AL28-A3C
47	190003559566	1	TONNETJE, , L28-ST-A3C



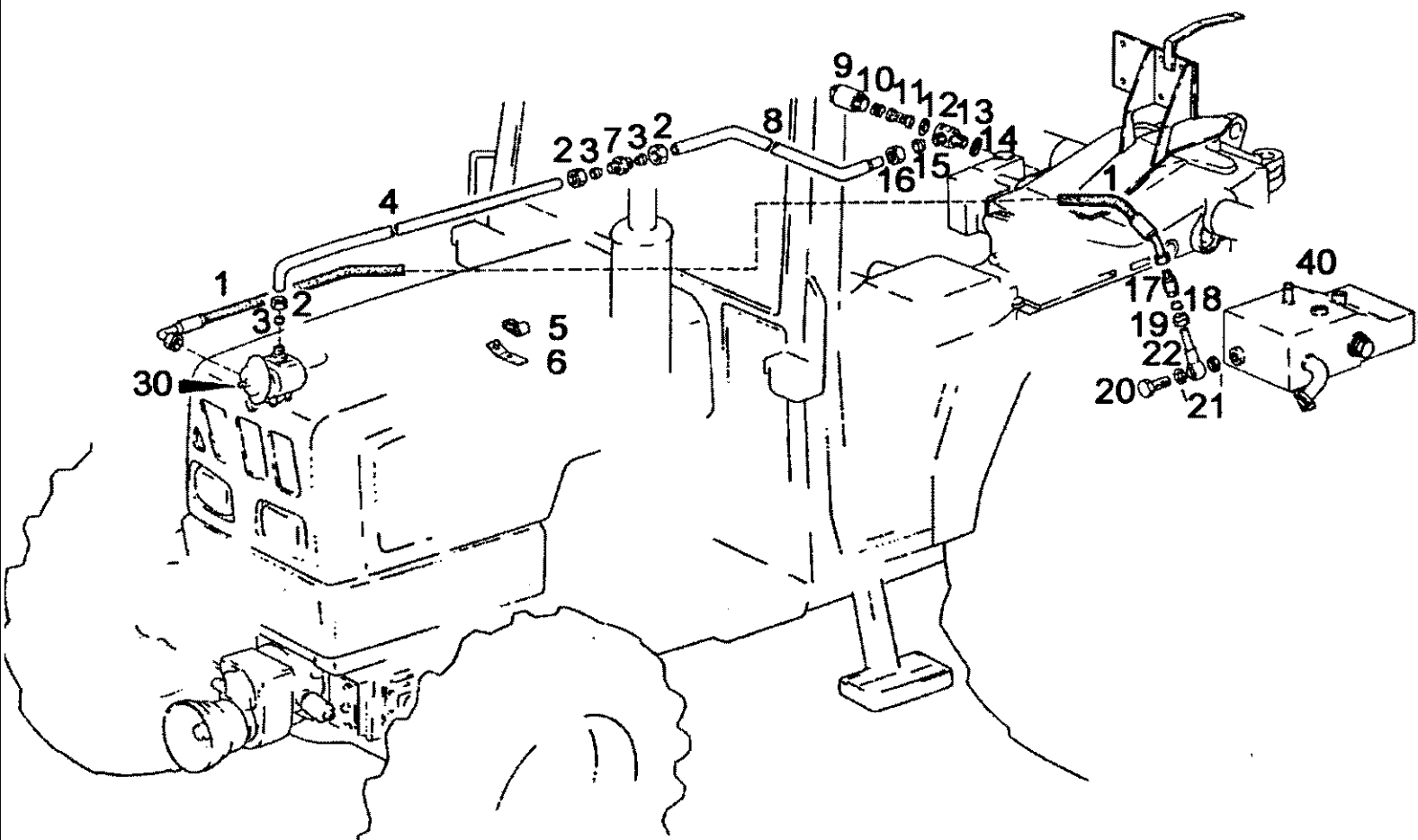


## 955 STEYR TRACTOR (2/92-6/97) - Hydraulisch Systeem

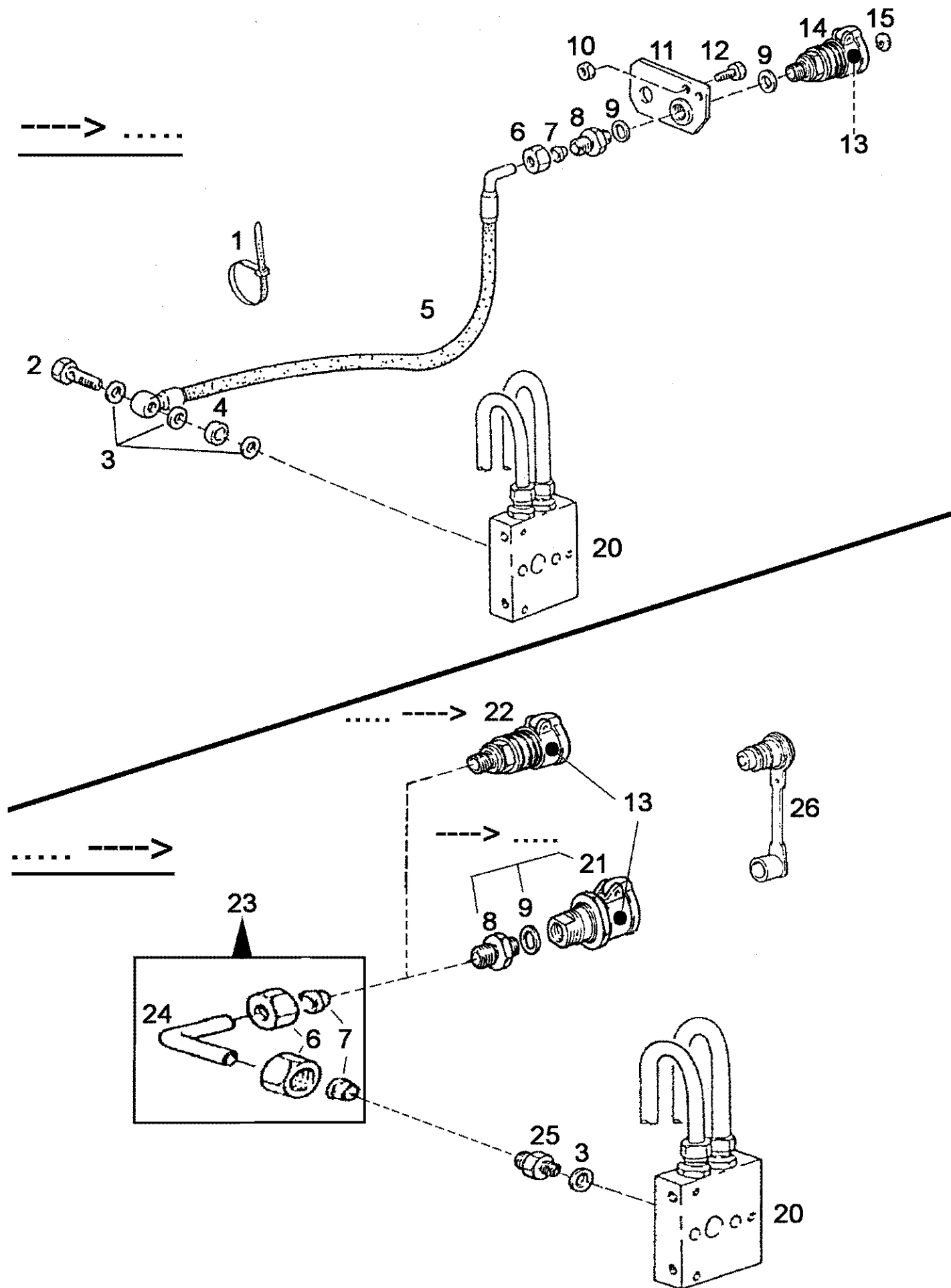
## 08-13(01) HYDRAULIC CIRCUIT - 2ND CIRCUIT

Ref	Onderdeelnummer	Kwt	Beschrijving
1	133700732507	1	FLEXIBELE BUIS,
2	133700732509	3	RESTRICTOR,
3	133700732508	1	FITTING,
4	1-32-273-007	1	FLEXIBELE BUIS, , Ersetzt/Replaces/Remplace/Udskiftet/Sostituisce 133700732218
5	190003962643	1	VIJZELSCHROEF, , 18-3
6	190003559505	3	NUT, TUBE, , AL28-A3C
7	190003559566	3	TONNETJE, , L28-ST-A3C
8	133700732217	1	AANZUIGLEIDING, , Vorne/Front/Avant/Forrest/Anteriore
9	1-35-127-112	1	RESTRICTOR, , ..... ---->
10	190003098040	1	DICHTINGSRING, , ..... ---->
11	190003551243	1	FITTING, , L28-ST-A3C
12	133700732155	1	TUBE ASSY., , Hinten/Rear/Derrière/Bagest/Posteriore
13	1609E110049	1	KLEM,
14	1397350164	1	VERWISSELBAAR RISTERVOORS,
15	190003559510	1	NUT, TUBE, , AL22 -A3C
16	190003559567	1	TONNETJE, , L22-ST-A3C
17	1292730033	1	FILTERELEMENT,
18	1288730283	1	VEER,
19	1292730086	1	FILTER,
20	190003098040	1	DICHTINGSRING, , A32x38-CU
21	1188730138	1	SCHROEF,
22	190003098031	1	DICHTINGSRING, , A26x31-CU
23	43138	2	BOUT, Hex, M10 x 20, 8.8, Full Thd,
24	825-1408	3	MOER, M8, CI 8,
25	133700732475	1	LEIDING, , Ersetzt/Replaces/Remplace/Udskiftet/Sostituisce 133700732216
26	190003559515	1	MOER, , AL15-A3C
27	190003559562	1	TONNETJE, , L15-ST-A3C
28	190003559494	1	VERBINDING, , L15A-M-ST-A3C
29	190003098021	2	DICHTINGSRING, , A18x24-CU
30	1-32-373-002	1	PLAAT, , Ersetzt/Replaces/Remplace/Udskiftet/Sostituisce 155700730106
31	190003120574	1/1	RING, PACKING, , 25,3x2,4-DR150H
32	1397750110	2/2	O-RING,
33	133700470161	1	JOINT, SWING,
34	190003098026	2	DICHTINGSRING, , A22x27-CU
-	190003559968	1	VERBINDING, , L15-ST-A3C
35	155700730335	1	PLAAT, , Ersetzt/Replaces/Remplace/Udskiftet/Sostituisce 155700730108 - Wahlweise/Optional/En option/Efter valg/A scelta
35	155700730163	1	PLAAT, , Wahlweise/Optional/En option/Efter valg/A scelta
36	190003802455	3	SCHROEF, , M8x55-8.8-A2C
36	190003802493	3	SCHROEF, , M8x110-8.8.A2C
36	190003800497	3	SCHROEF, , M8x160-8.8-A2C

Ref	Onderdeelnummer	Kwt	Beschrijving
37		X	, HYDRAULIKPUMPE/HYDRAULIC PUMP/POMPE HYDRAULIQUE/HYDRAULIKPUMPE/POMPA IDRAULICA - Siehe Kapitel 02/See chapter 02/Voir chapitre 02/Se kapitel 02/Vedere capitolo 02
38		1/2	, STEUERGERÄT/CONTROL VALVE/DISTRIBUTEUR/STYREENHED/CENTRALINA - Siehe nächste Seite(n)/See next page(s)/Voir page(s) suivante(s)/Se næste side(r)/Vedere pagin(a/e) sequent(e/i)
39		1	, ÖLBEHÄLTER/OIL CONTAINER/RESERVOIR D'HUILE/OLIEBEHOLDER/SERBATOIO OLIO - Siehe Seite(n) vorne/See page(s) before/Voir page(s) avant(es)/Se side(r) forrest/Vedere pagin(a/e) precedent(e/i)

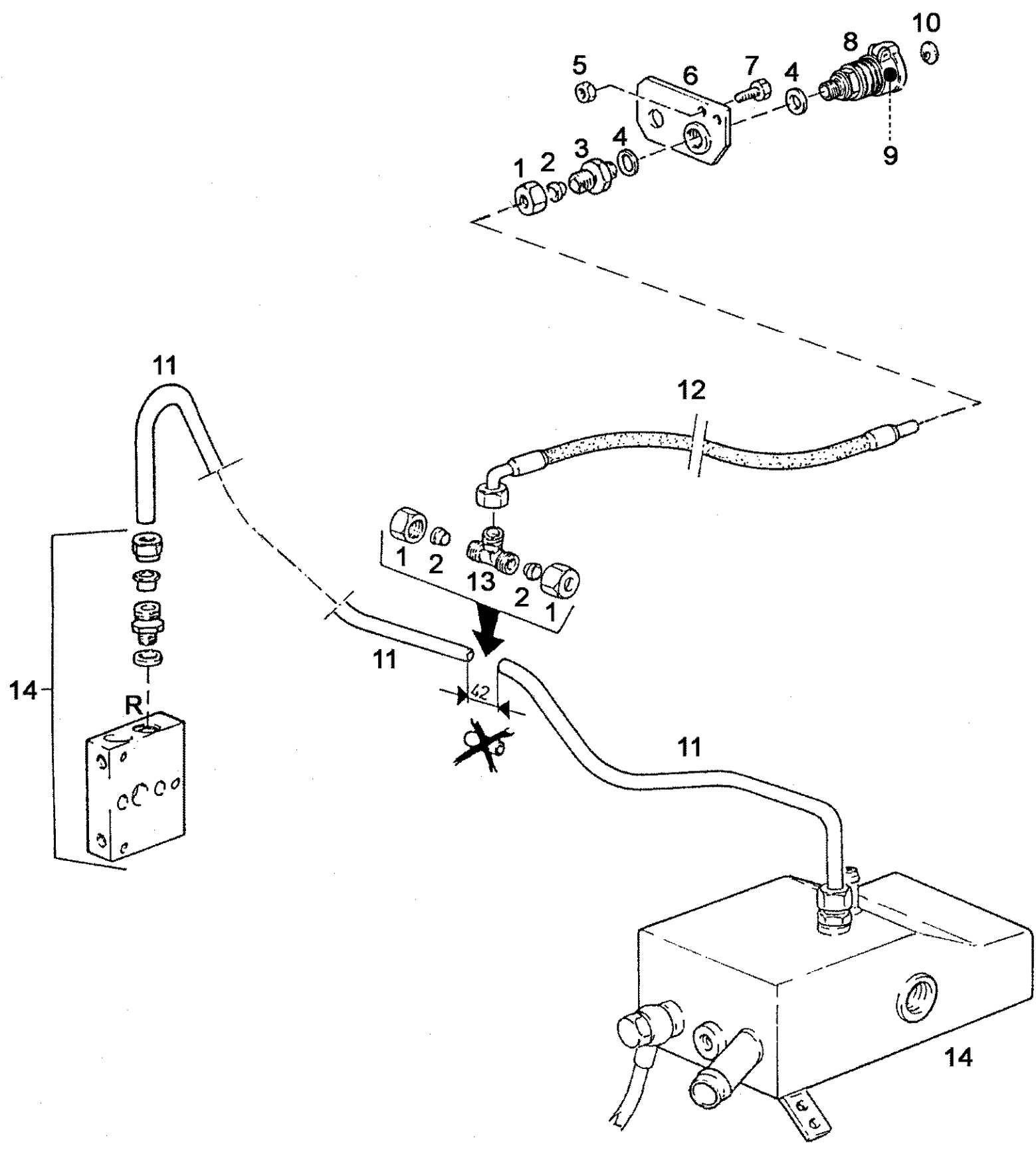


Ref	Onderdeelnummer	Kwt	Beschrijving
1	137700210053	1	FLEXIBELE BUIS,
2	190003559505	1	NUT, TUBE, , AL28-A3C
3	190003559566	1	TONNETJE, , L28-ST-A3C
4	133700732217	1	AANZUIGLEIDING,
5	1609E110049	1	KLEM,
6	1397350164	1	VERWISSELBAAR RISTERVOORS,
7	190003551243	1	FITTING, , L28-ST-A3C
8	133700732155	1	TUBE ASSY.,
9	1292730033	1	FILTERELEMENT,
10	1288730283	1	VEER,
11	1292730086	1	FILTER,
12	190003098040	1	DICHTINGSRING, , A32x38-CU
13	1188730138	1	SCHROEF,
14	190003098031	1	DICHTINGSRING, , A26x31-CU
15	190003559567	1	TONNETJE, , L22-ST--A3C
16	190003559510	1	NUT, TUBE, , AL22-A3C
17	190003559968	1	VERBINDING, , L15-ST-A3C
18	190003559562	1	TONNETJE, , L15-ST-A3C
19	190003559515	1	MOER, , AL15-A3C
20	190003962643	1	VIJZELSCHROEF, , 18-3
21	190003098026	1	DICHTINGSRING, , A22x27-CU
22	133700730393	1	LEIDING,
30		X	, HYDRAULIKPUMPE/HYDRAULIC PUMP/POMPE HYDRAULIQUE/HYDRAULIKPUMPE/POMPA IDRAULICA - Siehe Kapitel 02/See chapter 02/Voir chapitre 02/Se kapitel 02/Vedere capitolo 02
40		1	, ÖLBEHÄLTER/OIL CONTAINER/RESERVOIR D'HUILE/OLIEBEHOLDER/SERBATOIO OLIO - Siehe Seite(n) vorne/See page(s) before/Voir page(s) avant(es)/Se side(r) forrest/Vedere pagin(a/e) precedent(e/i)



## 08-15(01) PRESSURELESS RETURN

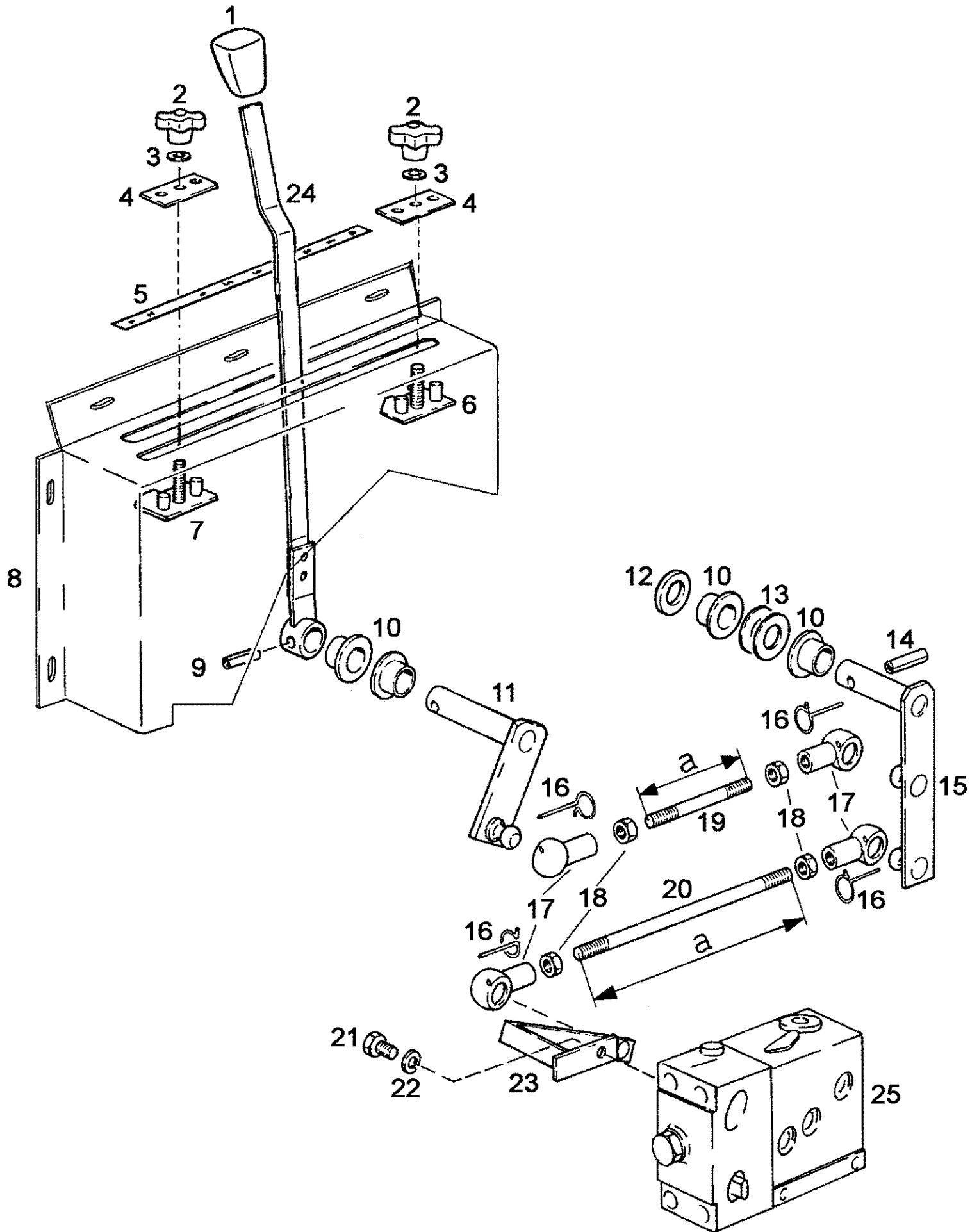
Ref	Onderdeelnummer	Kwt	Beschrijving
1	190003170283	2	BUISKLEM, , A8x280 / K04
2	190003962633	1	VIJZELSCHROEF, , 15-S
3	190003098020	3	DICHTINGSRING, , A18x22-CU
4	133700472001	1	RESERVERING, , 18x25; 7
5	133700730480	1	FLEXIBELE BUIS,
6	190003559515	1	MOER, , AL15
7	190003559562	1	TONNETJE, , L15
8	180327030007	1	MOER VOOR BUIZEN, , M22x1,5/M22x1,5
9	190003098026	2	DICHTINGSRING, , A22x27-CU
10	825-1408	2	MOER, M8, CI 8,
11	133700730478	1	GUIDE, LEVERS,
12	120104	2	BOUT, Hex, M8 x 20, 8.8,
13	1-32-373-173	4	PLUG, , Ersetzt/Replaces/Remplace/Udskiftet/Sostituisce 155700730710
14	1-32-373-175	4	SNELKOPPELING, , Einschließlich/Includes/Avec/Inklusive/Compreso 13 - Ersetzt/Replaces/Remplace/Udskiftet/Sostituisce 155700730066
15	1-32-573-218	1	KNOP, , Ersetzt/Replaces/Remplace/Udskiftet/Sostituisce 133700730336 - Weiss/White/Blanc/Hvid/Bianco
20		X	, HYDRAULIKPUMPE/HYDRAULIC PUMP/POMPE HYDRAULIQUE/HYDRAULIKPUMPE/POMPA IDRAULICA - Siehe Kapitel 02/See chapter 02/Voir chapitre 02/Se kapitel 02/Vedere capitolo 02
21	135700730218	2	COUPLING, SPLINED, , Einschließlich/Includes/Avec/Inklusive/Compreso 13
22	1-32-373-175	4	SNELKOPPELING, , Einschließlich/Includes/Avec/Inklusive/Compreso 13 - Ersetzt/Replaces/Remplace/Udskiftet/Sostituisce 135700730218
23	133700732564	1	PIPE, RETURN, , Besteht aus/Consists of/Compose de/Bestående af/È composto da 6, 7, 24
24	NSS	1	NIET ALLEEN VERKRIJGBAAR,
25	190003559494	1	VERBINDING, , L15A-M
26	1288730249	2	COUPLING, SPLINED,



## 08-16(01) PRESSURELESS RETURN OF 2. HYDRAULIC CIRCUIT

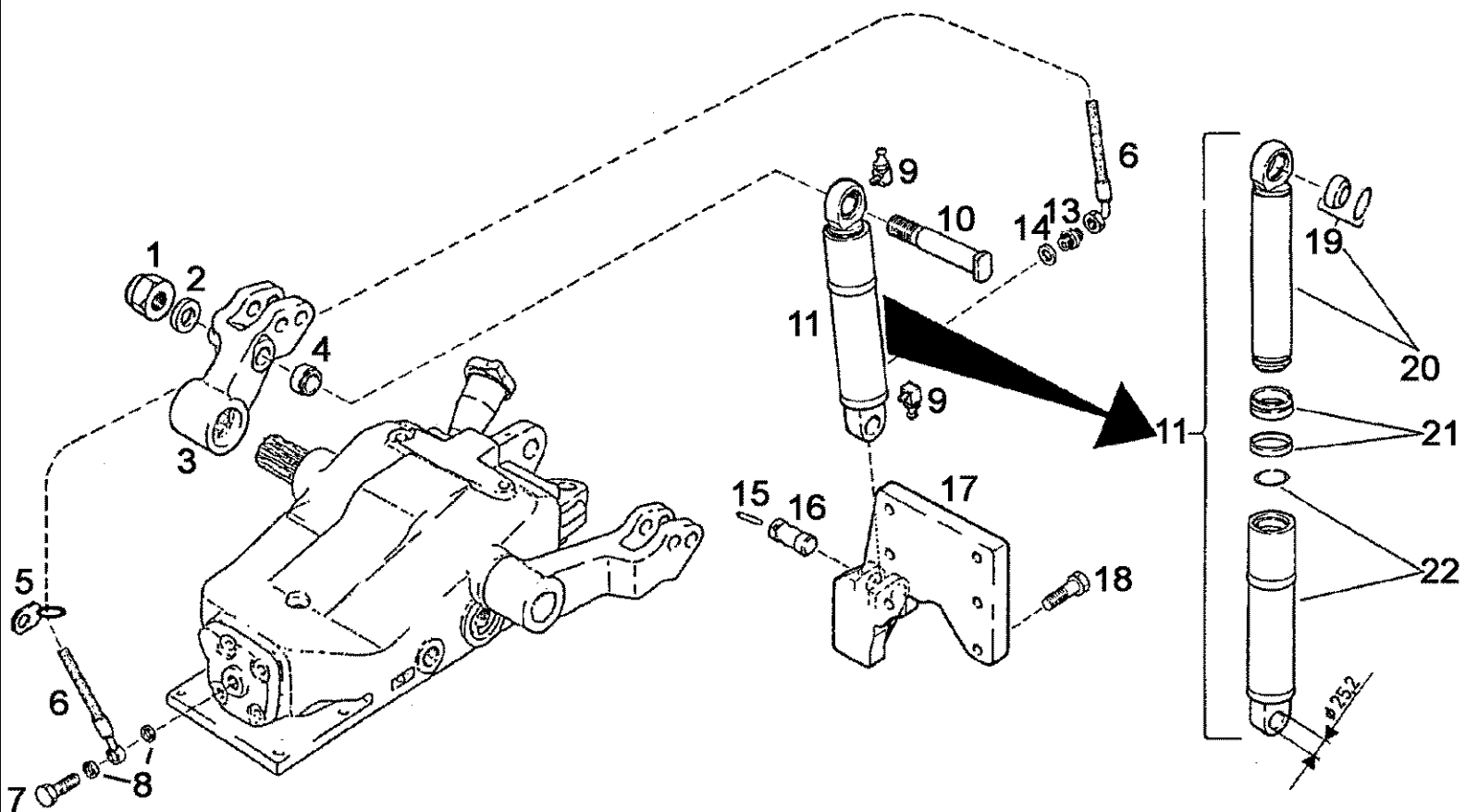
Ref	Onderdeelnummer	Kwt	Beschrijving
1	190003559515	1	MOER, , AL15
2	190003559562	1	TONNETJE, , L15
3	180327030007	1	MOER VOOR BUIZEN, , M22x1,5/M22x1,5
4	190003098026	1	DICHTINGSRING, , A22x27-CU
5	825-1408	1	MOER, M8, CI 8,
6	133700730478	1	GUIDE, LEVERS,
7	120104	1	BOUT, Hex, M8 x 20, 8.8,
8	1-32-373-175	1	SNELKOPPELING, , Einschließlich/Includes/Avec/Inklusive/Compreso 10A - Ersetzt/Replaces/Remplace/Udskiftet/Sostituisce 155700730066
9	1-32-373-173	1	PLUG, , Ersetzt/Replaces/Remplace/Udskiftet/Sostituisce 155700730710
10	1-32-573-218	1	KNOP, , Weiss/White/Blanc/Hvid/Bianco
11	133700732125	1	BUISLEIDING,
12	1397470158	1	FLEXIBELE BUIS,
13	190003559954	1	FITTING,
14		1	, HYDRAULIKKREISLAUF/HYDRAULIC CIRCUIT/CIRCUIT HYDRAULIQUE/HYDRAULIKKREDSLØB/CIRCUITO IDRAULICO - Siehe Seite(n) vorne/See page(s) before/Voir page(s) avant(es)/Se side(r) forrest/Vedere pagin(a/e) precedent(e/i)



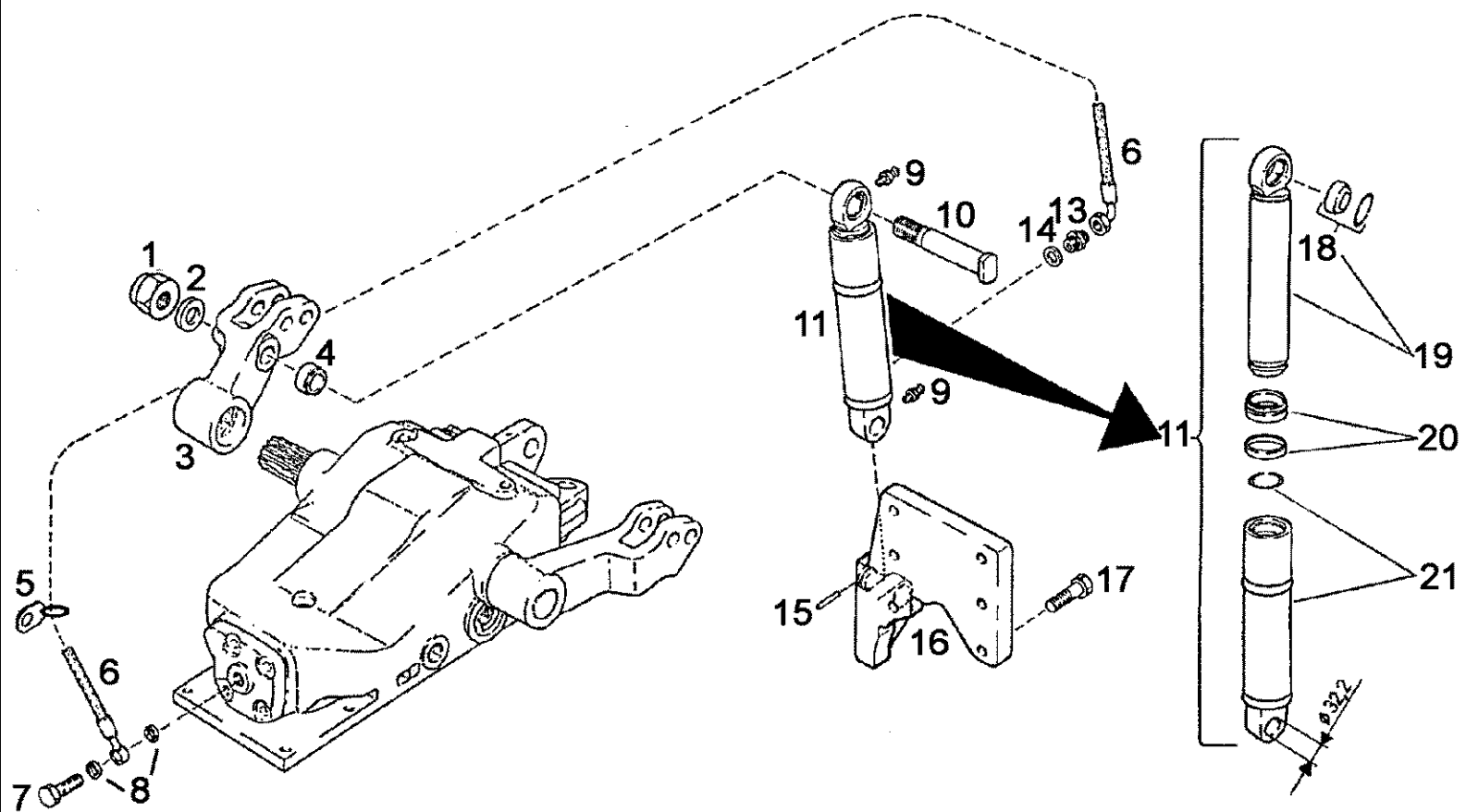


## 08-17(01) HYDRAULIC OPERATION

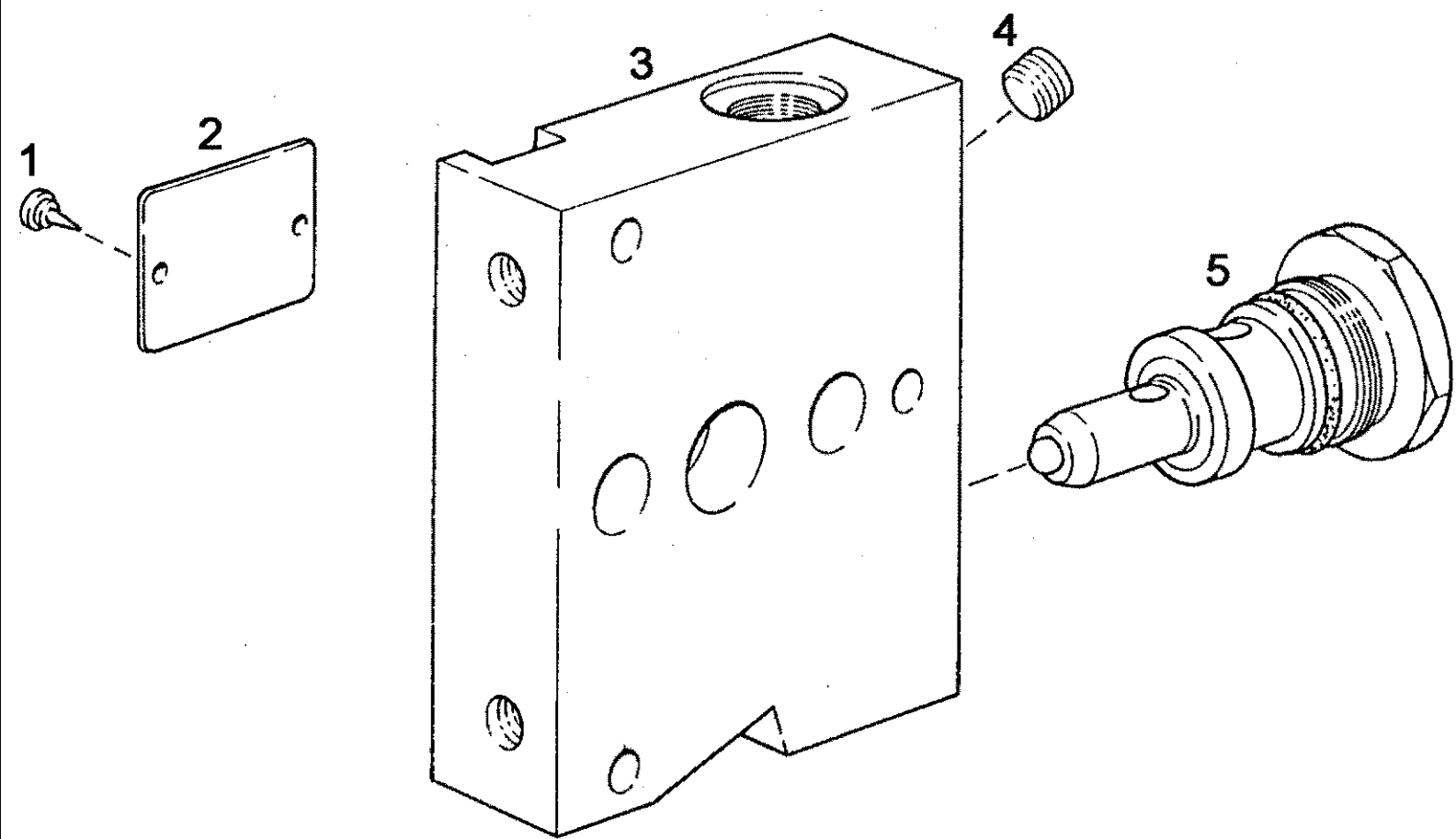
Ref	Onderdeelnummer	Kwt	Beschrijving
1	133700730465	1	GRIP,
2	1397730128	2	HENDEL,
3	190003932612	2	SCHIJF, , R6,6-100HV-A3C
4	133700730476	2	SLIDE,
5	131700732510	1	DECAL, , Ersetzt/Replaces/Remplace/Udskiftet/Sostituisce 131700730246
6	133700730471	1	STOOTSTUK, , Oben/Over/En 'haut/Ovenfor/Superiore
7	133700730473	1	STOOTSTUK, , Unten/Below/En bas/Nedenfor/Inferiore
8	1-34-518-205	1	GUIDE, LEVERS, , Ersetzt/Replaces/Remplace/Udskiftet/Sostituisce 1-34-518-203 - Siehe Kapitel 9B/See chapter 9B/Voir chapitre 9B/Se kapitel 9B/Vedere capitolo 9B
9	190003909650	1	SPANSTIFT, , 6x26
10	1-34-544-408	4	LAGERBUS,
11	131700730203	1	KRUKARM,
12	190003930301	1	SLUITRING, , A17-140HV-A3C
13	133700410168	X	SLUITRING,
14	190003909631	1	SPANSTIFT, , 6x30
15	133700730486	1	KRUKARM,
16	190003936514	4	SCHARNIER, , S13-A3C
17	190003963623	4	KOGELGEWRIGHT, , B13-A2C
18	43362	4	MOER, M8, CI 10,
19	131700730205	1	STANG, , a=95mm
20	131700730206	1	STANG, , a=175mm
21	86977726	1	BOUT, Hex, M6 x 12, 8.8,
22	190003931082	1	SLUITRING, , A6-FST-A3C
23	131700730268	1	HEFBOOM,
24	131700730266	1	HEFBOOM,
25		1	, STEUERGERÄT/CONTROL VALVE/DISTRIBUTEUR/STYREENHED/CENTRALINA - Siehe Seite(n) vorne/See page(s) before/Voir page(s) avant(es)/Se side(r) forrest/Vedere pagin(a/e) precedent(e/i)



Ref	Onderdeelnummer	Kwt	Beschrijving
1	190003888478	1	MOER, , VM24-8-A3C
2	190003930341	1	SLUITRING, , A25-ST-A3C
3	133700730470	1	ARM, ROCKER,
4	133700730451	1	LAGERBUS,
5	135700730034	1	STEUN,
-	190003930282	1	SCHIJF, , A13-140HV-A3C
-	43151	1	BOUT, Hex, M12 x 20, 8.8, Full Thd, , M12x20-8.8-A3C
6	133700730452	1	FLEXIBELE BUIS,
7	190003962627	1	VIJZELSCHROEF, , 12-3
8	190003098017	2	RING, PACKING, , A16x22-CU
9	190003963115	2	SMEERNIPPEL, , CM8x1-A3F
10	133700730444	1	PIN, PIVOT,
11	133700730469	1	CYLINDER, , Besteht aus/Consists of/Compose de/Bestående af/È composto da 19, 20, 21
13	1390470039	1	KOPPELING,
14	190003098020	1	DICHTINGSRING, , A18x22-CU
15	190003909642	1	SPANSTIFT, , 6x60
16	133700730435	1	PIN, PIVOT,
17	133700732020	1	GUIDE, LEVERS,
-	190003802732	4	SCHROEF, , M14x40-8.8-A3C
18	190003800733	6	SCHROEF, , M14x55-10.9-A3C
19	133700730705	1	LAGER,
20	133700730706	1	STAAK, , Einschließlich/Includes/Avec/Inklusive/Compreso 23
21	133700730707	1	KIT, GASKET,
22	NSS	1	NIET ALLEEN VERKRIJGBAAR,



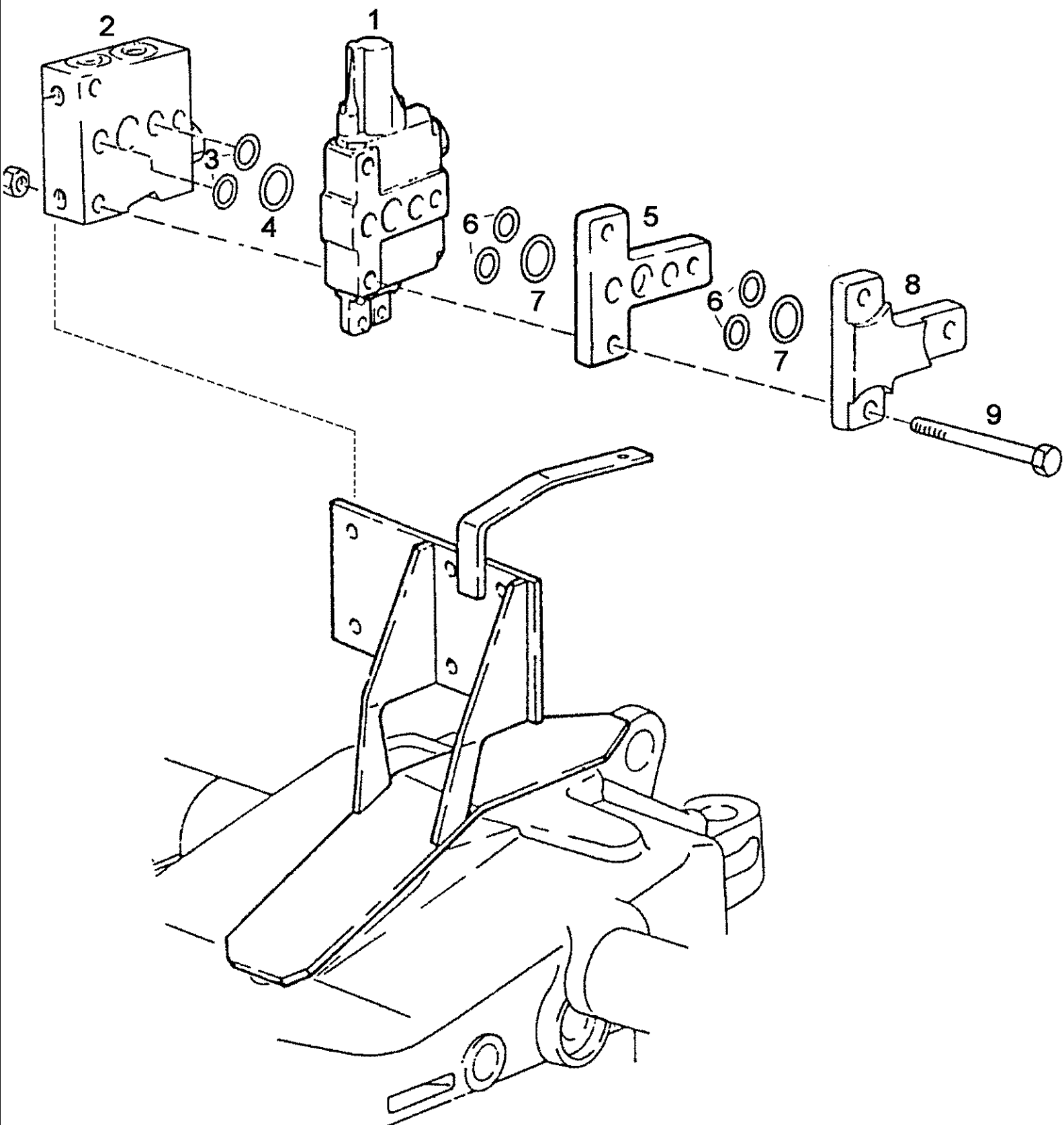
Ref	Onderdeelnummer	Kwt	Beschrijving
1	190003888478	1	MOER, , VM24-8-A3C
2	190003930341	1	SLUITRING, , A25-ST-A3C
3	133700730470	1	ARM, ROCKER,
4	133700730451	1	LAGERBUS,
5	135700730034	1	STEUN,
-	43151	1	BOUT, Hex, M12 x 20, 8.8, Full Thd, , M12x20-8.8-A3C
-	190003930282	1	SCHIJF, , A13-140HV-A3C
6	133700730452	1	FLEXIBELE BUIS,
7	190003962627	1	VIJZELSCHROEF, , 12-3
8	190003098017	2	RING, PACKING, , A16x22-CU
9	190003963112	2	SMEERNIPPEL, , AM8x1-A3F
10	133700730444	1	PIN, PIVOT,
11	133700732186	1	CYLINDER, , Besteht aus/Consists of/Compose de/Bestående af/È composto da 18, 19, 20
13	1390470039	1	KOPPELING,
14	190003098021	1	DICHTINGSRING, , A18x24-CU
15	190003909655	1	SPANSTIFT, , 8x50
16	133700732169	1	GUIDE, LEVERS,
17	190003800733	6	SCHROEF, , M14x55-10.9-A3C
18	133700730705	1	LAGER,
19	133700730706	1	STAAK, , Einschließlich/Includes/Avec/Inklusive/Compreso 23
20	133700730707	1	KIT, GASKET,
21	133700730759	1	CYLINDER,



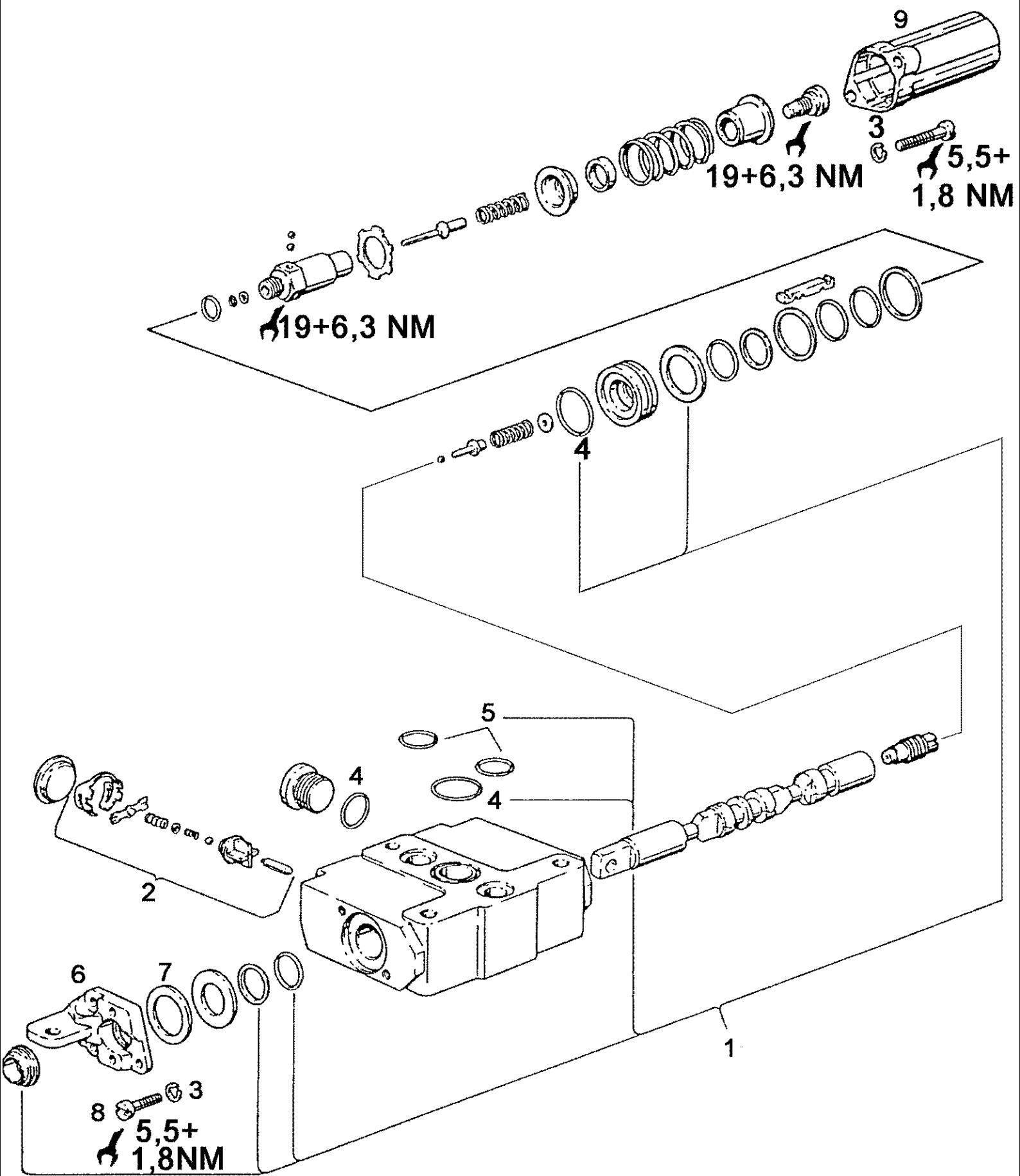
## 08-20(01) CONNECTING PLATE

Ref	Onderdeelnummer	Kwt	Beschrijving
-	155700730106	1	PLAAT,
1	155700733047	1	KLINKNAGEL,
2	155700733051	1	PEN,
3	155700733037	1	PLAAT,
4	190003960002	1	SCHROEF, , M12x1,5-ST-A3C
5	1395730070	1	VALVE,

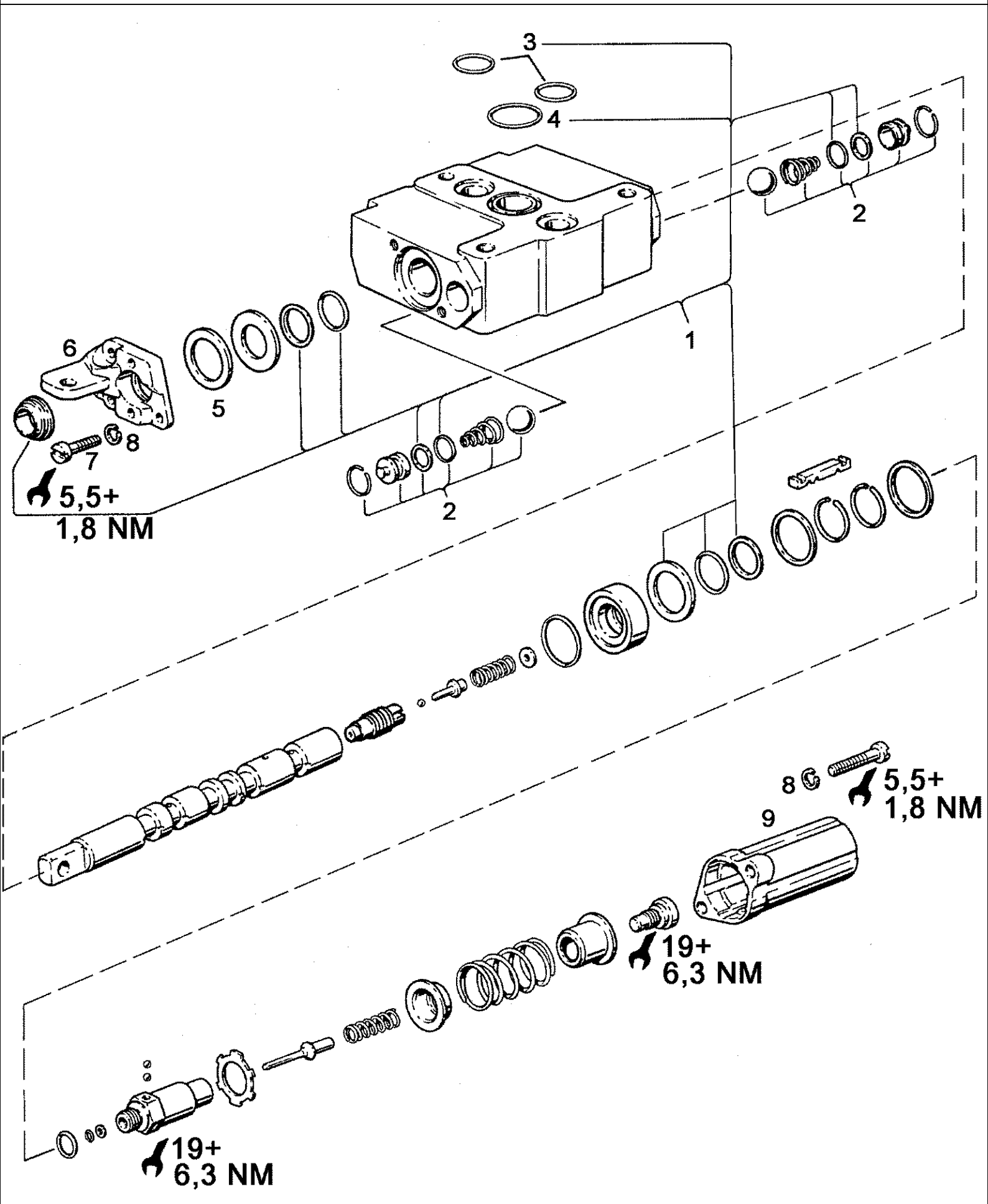




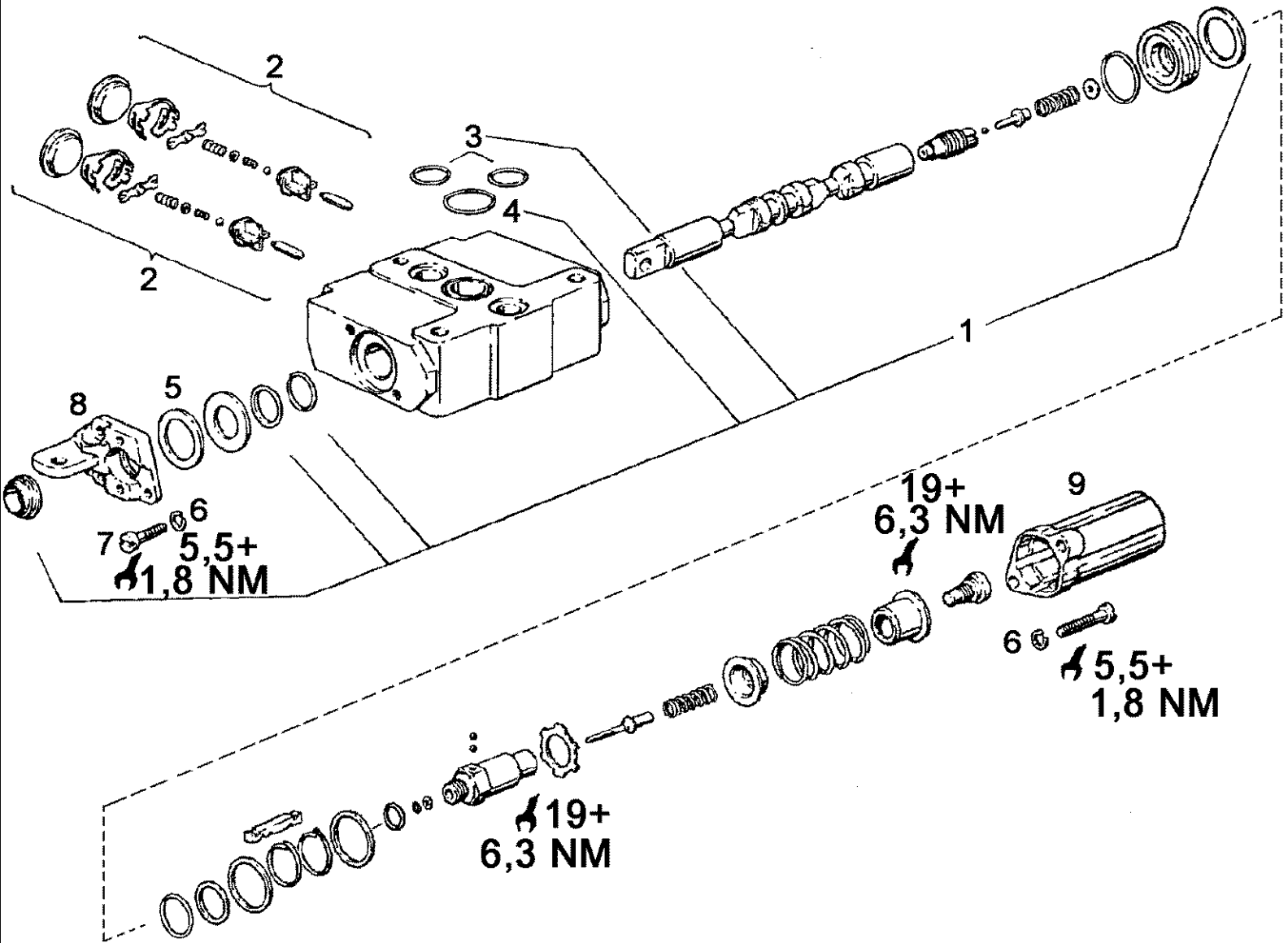
Ref	Onderdeelnummer	Kwt	Beschrijving
1	155700730210	1	KLEPSEGMENT, HYD, , Ersetzt/Replaces/Remplace/Udskiftet/Sostituisce 155700730060 - Siehe nächste Seite(n)/See next page(s)/Voir page(s) suivante(s)/Se næste side(r)/Vedere pagin(a/e) sequent(e/i)
1	155700730271	1	KONTROLEKLEP, , Ersetzt/Replaces/Remplace/Udskiftet/Sostituisce 155700730161 - Siehe nächste Seite(n)/See next page(s)/Voir page(s) suivante(s)/Se næste side(r)/Vedere pagin(a/e) sequent(e/i)
1	155700730233	1	KLEPSEGMENT, HYD, , Ersetzt/Replaces/Remplace/Udskiftet/Sostituisce 155700730101 - Siehe nächste Seite(n)/See next page(s)/Voir page(s) suivante(s)/Se næste side(r)/Vedere pagin(a/e) sequent(e/i)
1	155700730186	1	KLEPSEGMENT, HYD, , Siehe nächste Seite(n)/See next page(s)/Voir page(s) suivante(s)/Se næste side(r)/Vedere pagin(a/e) sequent(e/i)
2	155700730341	1	PLAAT, , Ersetzt/Replaces/Remplace/Udskiftet/Sostituisce 155700730107, 0300 - Siehe Seite(n) vorne/See page(s) before/Voir page(s) avant(es)/Se side(r) forrest/Vedere pagin(a/e) precedent(e/i)
3	155700730705	1	O-RING, , 18x2,5 - Siehe nächste Seite(n)/See next page(s)/Voir page(s) suivante(s)/Se næste side(r)/Vedere pagin(a/e) sequent(e/i)
4	155700730704	1	O-RING, , 26x2,5 - Siehe nächste Seite(n)/See next page(s)/Voir page(s) suivante(s)/Se næste side(r)/Vedere pagin(a/e) sequent(e/i)
5	155700730109	1	AFSTANDSRING, , Wahlweise/Optional/En option/Efter valg/A scelta
5	155700730064	1	AFSTANDSRING, , Wahlweise/Optional/En option/Efter valg/A scelta
6	1397750110	1	O-RING, , 16,3x2,4
7	190003120574	1	RING, PACKING, , 25,3x2,4-DR150H
8	155700730162	1	PLAAT, GROOT, , Ersetzt/Replaces/Remplace/Udskiftet/Sostituisce 155700730108 - Siehe Seite(n) vorne/See page(s) before/Voir page(s) avant(es)/Se side(r) forrest/Vedere pagin(a/e) precedent(e/i)
9	190003802455	1	SCHROEF, , M8x55-8.8-A2C



Ref	Onderdeelnummer	Kwt	Beschrijving
-	155700730210	1	KLEPSEGMENT, HYD, , Ersetzt/Replaces/Remplace/Udskiftet/Sostituisce 155700730060
1	155700730706	1	KIT, GASKET,
2	155700730707	1	SET OF PARTS,
3	190003931082	4	SLUITRING, , A6
4	155700730704	3	O-RING, , 26x2,5
5	155700730705	2	O-RING, , 18x2,5
6	155700730712	1	DEKSEL,
7	155700730702	1	SCHIJF,
8	190003822317	2	SCHROEF, , M6x12-48-A2C
9	155700730742	1	COVER, PROTECTIVE,

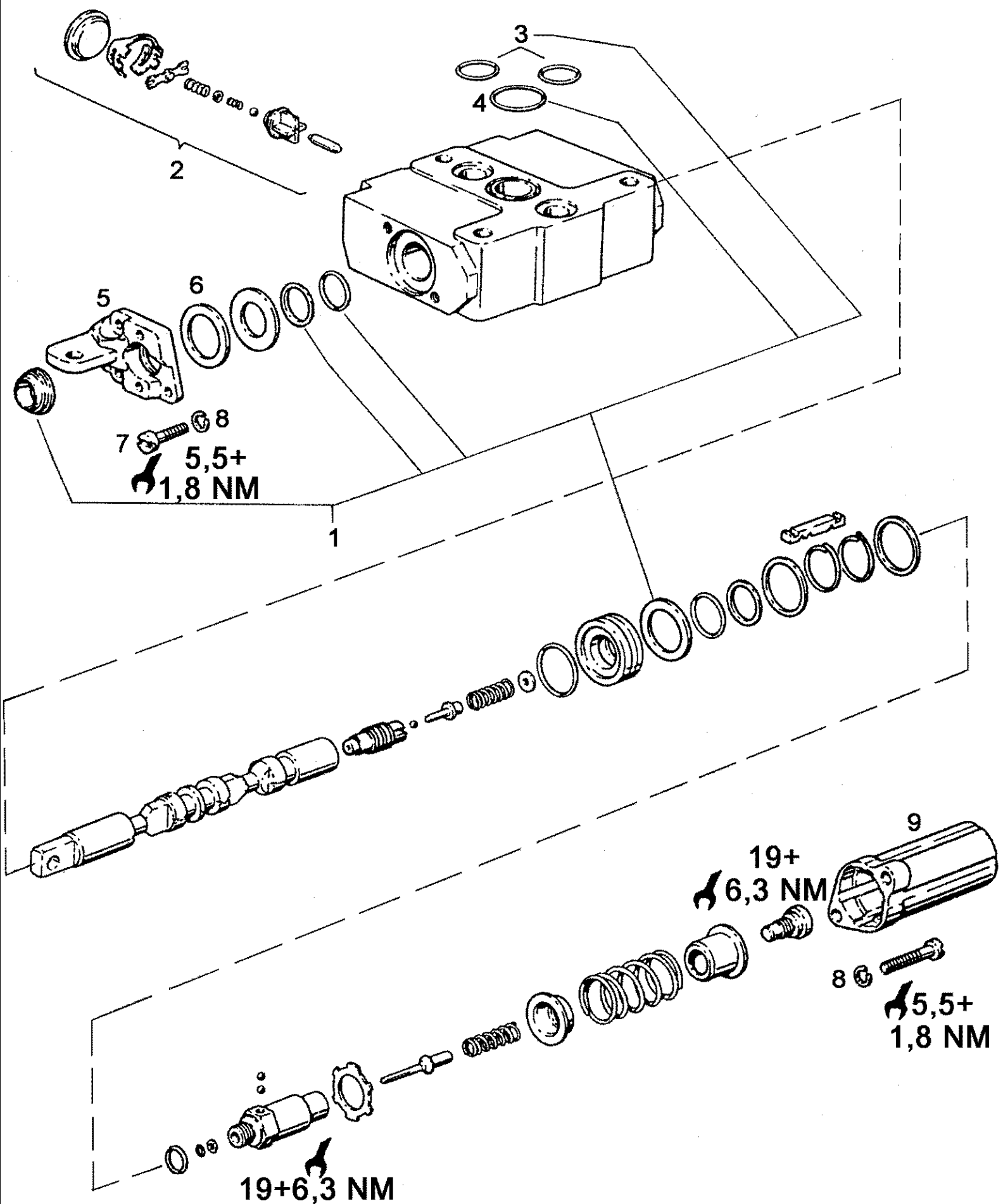


Ref	Onderdeelnummer	Kwt	Beschrijving
-	155700730271	1	KONTROLEKLEP, , Ersetzt/Replaces/Remplace/Udskiftet/Sostituisce 155700730061
1	155700730706	1	KIT, GASKET,
2	155700730703	2	SET OF PARTS,
3	155700730705	2	O-RING, , 18x2,5
4	155700730704	1	O-RING, , 26x2,5
5	155700730702	1	SCHIJF,
6	155700730708	2	DEKSEL,
7	190003822317	2	SCHROEF, , M6x12-8.8-A2R
8	190003931082	4	SLUITRING, , A6
9	155700730742	1	COVER, PROTECTIVE,



Ref	Onderdeelnummer	Kwt	Beschrijving
-	155700730233	1	KLEPSEGMENT, HYD, , Ersetzt/Replaces/Remplace/Udskiftet/Sostituisce 155700730101
1	155700730706	1	KIT, GASKET,
2	155700730707	2	SET OF PARTS,
3	155700730705	2	O-RING, , 18x2,5
4	155700730704	1	O-RING, , 26x2,5
5	155700730702	1	SCHIJF,
6	190003931082	4	SLUITRING, , A6
7	190003822317	2	SCHROEF, , M6x12-8.8-A2R
8	155700730708	2	DEKSEL,
9	155700730742	1	COVER, PROTECTIVE,

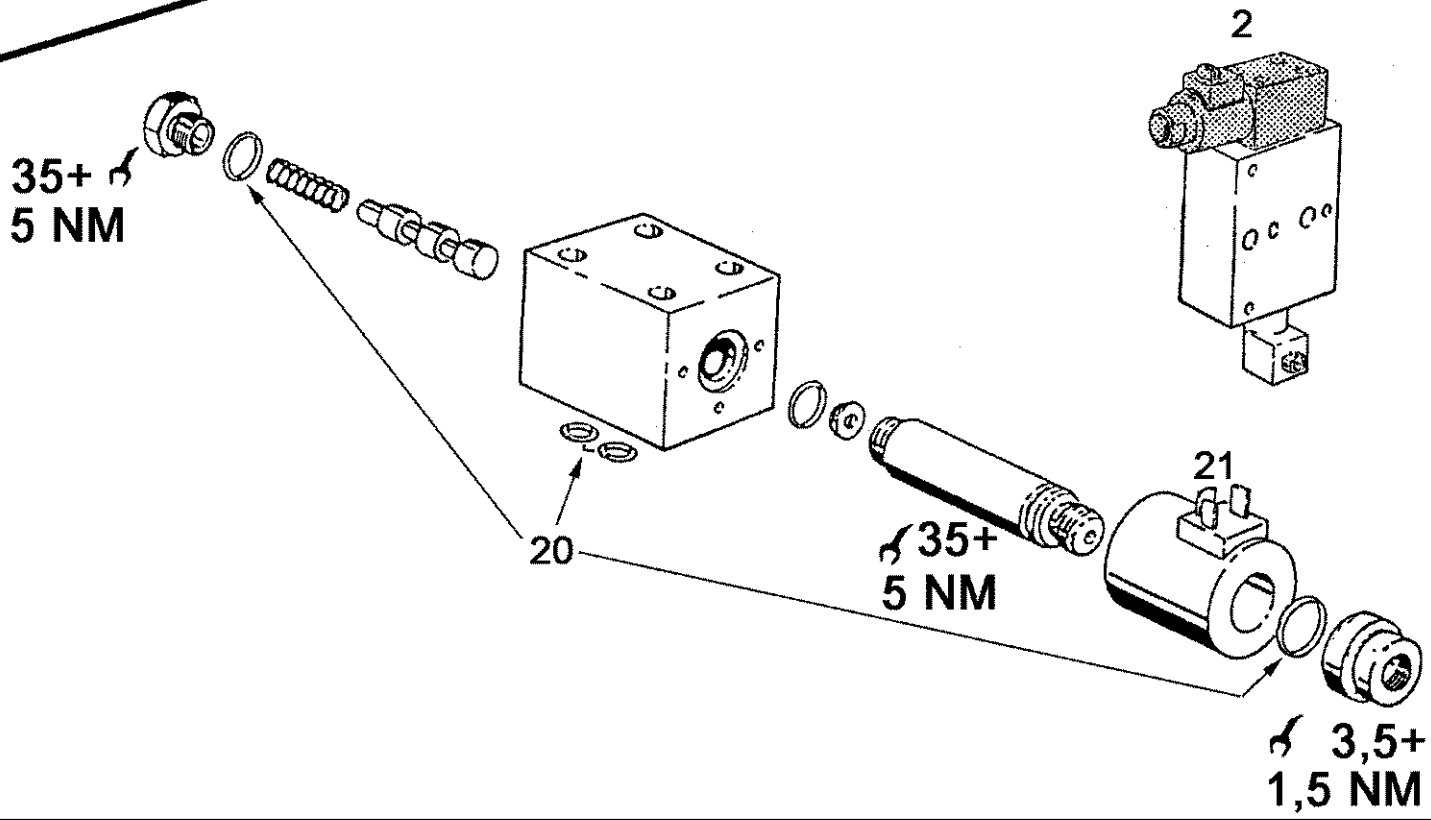
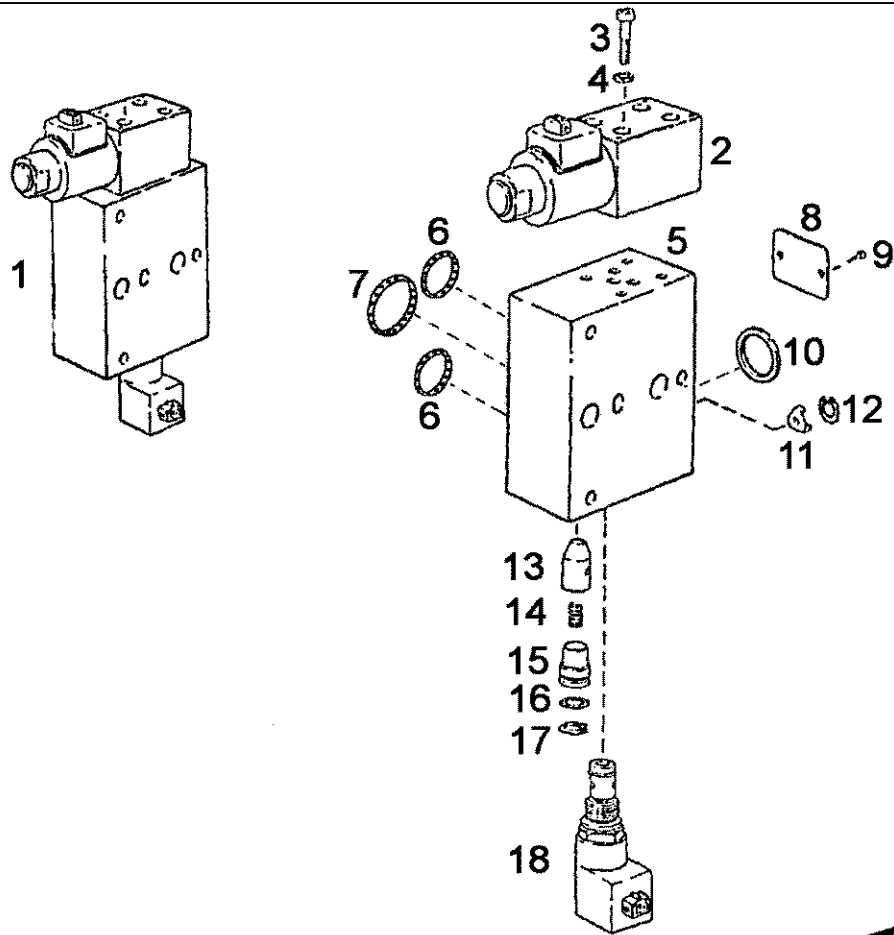




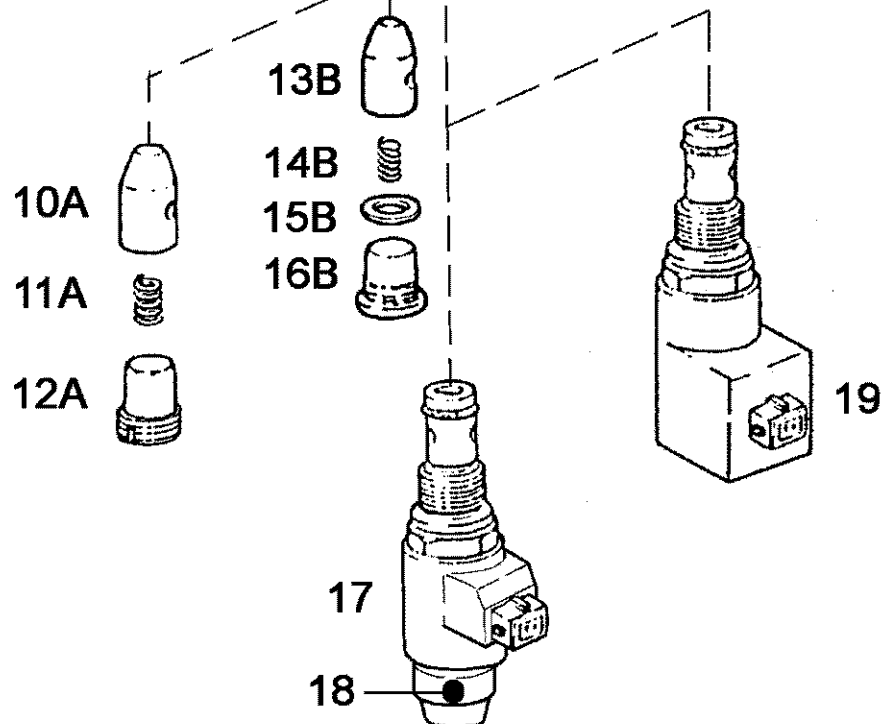
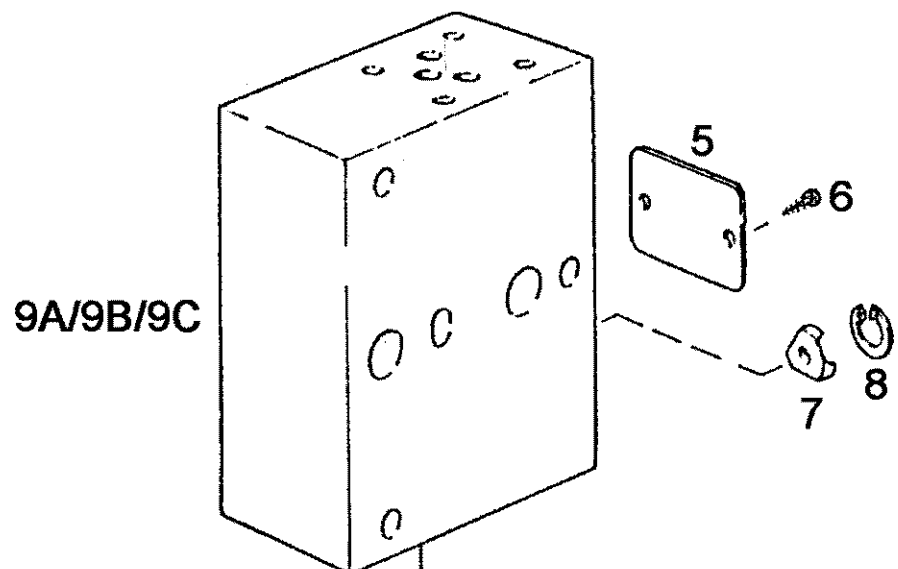
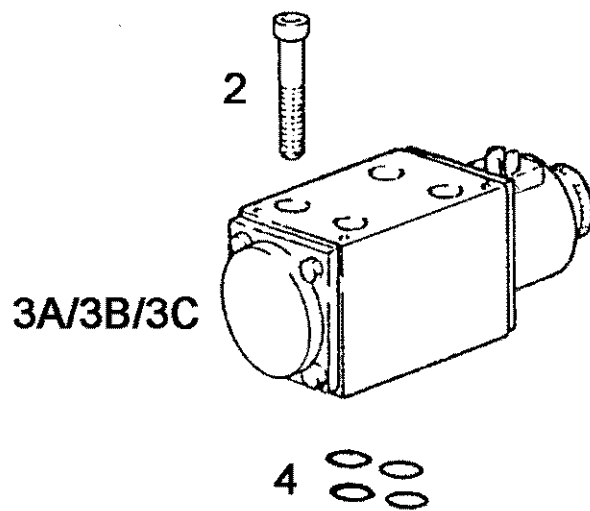
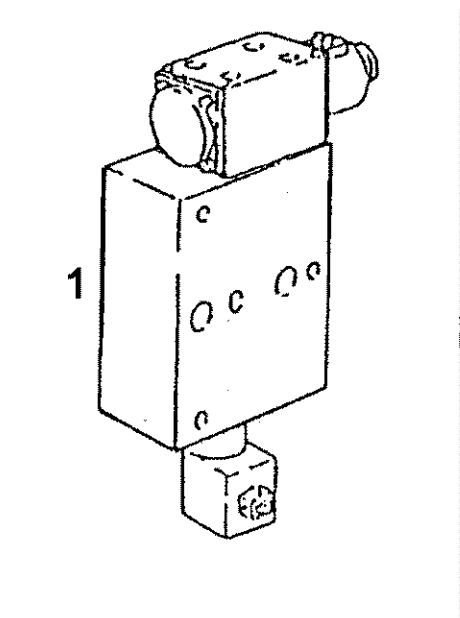
955 STEYR TRACTOR (2/92-6/97) - Hydraulisch Systeem

08-25(01) SUPPLEMENTARY CONTROL UNIT, DOUBLE ACTING - MECHANICAL WITH STOP VALVE B

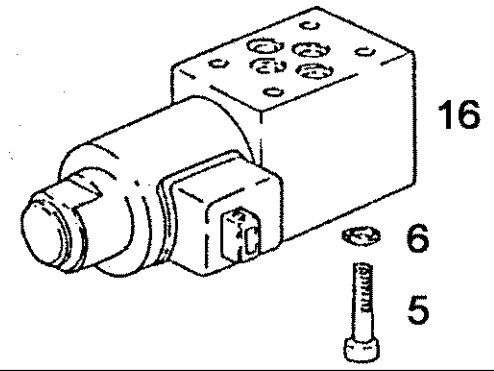
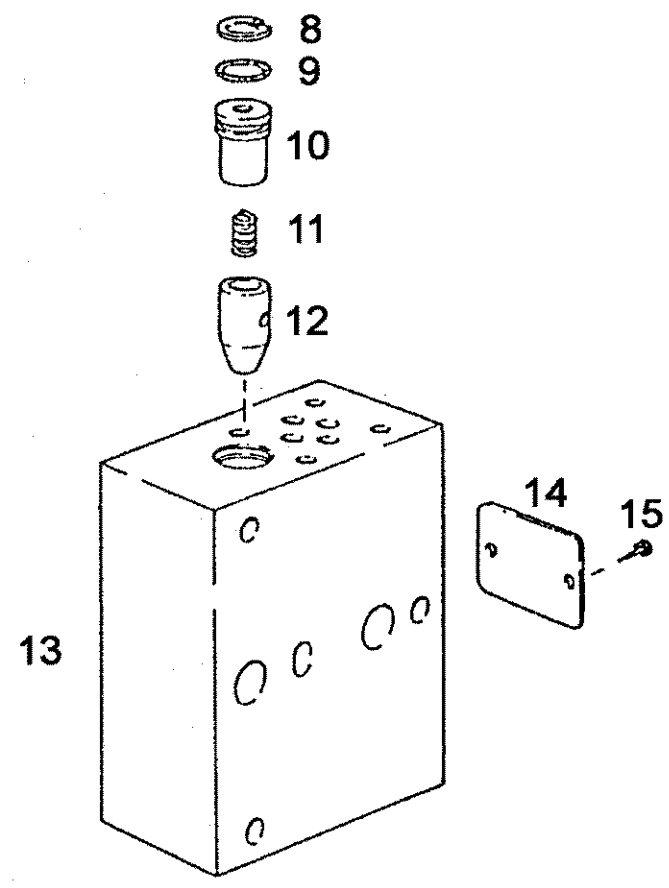
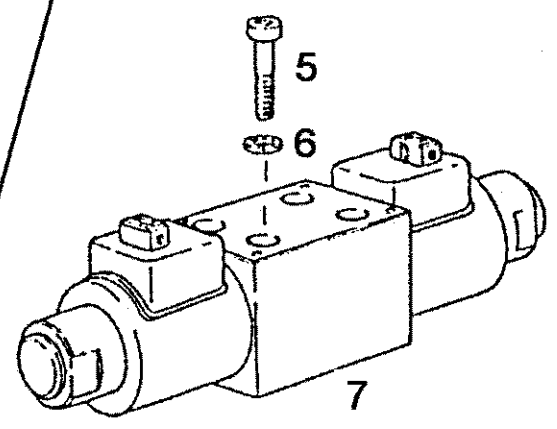
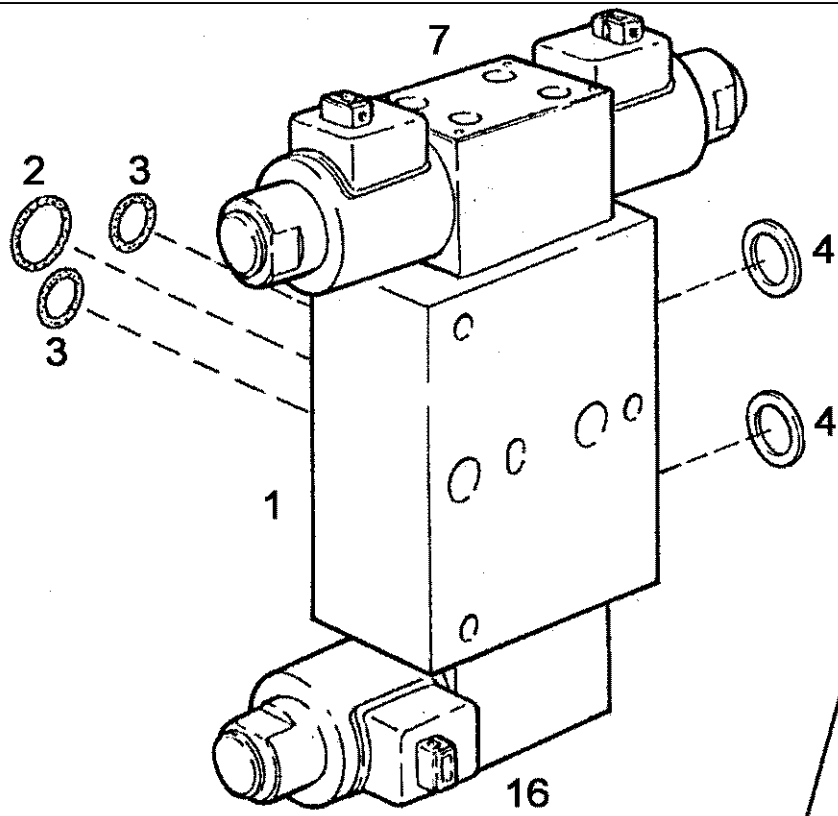
Ref	Onderdeelnummer	Kwt	Beschrijving
-	155700730186	1	KLEPSEGMENT, HYD,
1	155700730706	1	KIT, GASKET,
2	155700730707	1	SET OF PARTS,
3	155700730705	2	O-RING, , 18x2,5
4	155700730704	1	O-RING, , 26x2,5
5	155700730708	1	DEKSEL,
6	155700730702	1	SCHIJF,
7	190003822317	2	SCHROEF, , M6x12-4,8-A2C
8	190003931082	2	SLUITRING, , A6
9	155700730742	1	COVER, PROTECTIVE,



Ref	Onderdeelnummer	Kwt	Beschrijving
1	155700730103	1	KONTROLEKLEP, ----> ....., Besteht aus/Consists of/Compose de/Bestående af/È composto da 1-18
2	1397753003	1	VALVE,
3	190003862232	4	SCHROEF, , M5x30-8.8-A2C, DIN912
4	190003935462	4	SLUITRING, , A5,1-A3C
5	155700733003	1	VALVE BLOCK,
6	1397750110	1	O-RING, , 16,3x2,4-DR150H
7	190003120574	1	RING, PACKING, , 25,3x2,4-DR150H
8	155700733051	1	PEN,
9	155700733047	2	KLINKNAGEL,
10	190003098026	1	DICHTINGSRING, , A22x27-CU
11	139900750052	1	VLINDER,
12	190003934063	1	BOORGVEER, , 17x1
13	1397730221	1	ZUIGER,
14	1288750061	1	SPRING, COMPRESSION,
15	155700733030	1	PIN, LARGE,
16	1306A010019	1	O-RING,
17	190003934075	1	BORGPLAAT, , 18x1
18	139900753002	1	VALVE,
20	139900750724	1	KIT, GASKET,
21	139900750723	1	SPINDLE,

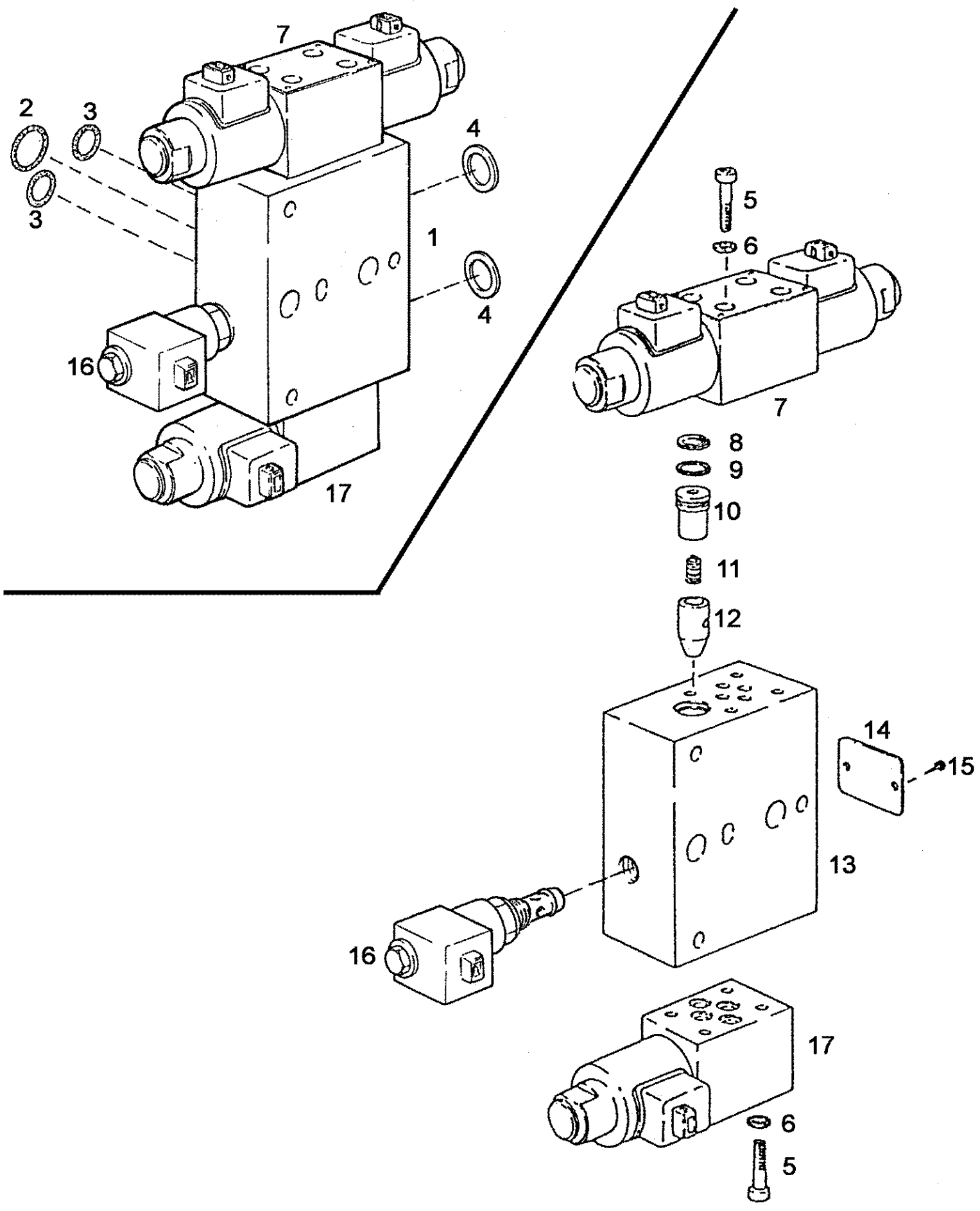


Ref	Onderdeelnummer	Kwt	Beschrijving
1	155700730301	1	KONTROLEKLEP, ----> ....., Besteht aus/Consists of/Compose de/Bestående af/È composto da 2, 4 - 7, 19, 9A - 12A, 3B
1	155700730346	1	KONTROLEKLEP, ----> ....., Besteht aus/Consists of/Compose de/Bestående af/È composto da 2, 4 - 8, 19, 3B, 9B, 13B - 16B
1	1-32-373-026	1	KONTROLEKLEP, ..... ---->, Ersetzt/Replace/Remplace 155700730103, 155700730301, 155700730346 - Besteht aus/Consists of/Compose de/Bestående af/È composto da 2, 4 - 8, 17, 13B - 16B, 3C, 9C
2	190003860243	8	SCHROEF, , M5x45-10.9-A2C
3A	155700753048	1	KLEP,
3B	155700733066	1	SATELIETDRAGER,
3C	155700753069	1	STOOTLAGER,
4	1-32-773-095	1	DICHTINGSKIT,
5	155700733051	1	PEN,
6	155700733047	2	KLINKNAGEL,
7	139900750052	1	VLINDER,
8	190003934063	1	BOORGVEER, , 17x1
9A	155700733003	1	VALVE BLOCK,
9B	155700733098	1	VALVE BLOCK,
9C	155700733172	1	VALVE BLOCK,
10A	1397730221	1	ZUIGER,
11A	1288750061	1	SPRING, COMPRESSION,
12A	155700733072	1	PIN, LARGE,
13B	1397730221	1	ZUIGER,
14B	1288750061	1	SPRING, COMPRESSION,
15B	190003098020	1	DICHTINGSRING, , A18x22-CU
16B	155700733099	1	SCHROEF,
17	155700753077	1	INZETSTUK, , Einschließlich/Includes/Avec/Inklusive/Compreso 18
18	1-32-773-094	1	RESERVOIRDOP,
19	139900753002	1	VALVE,

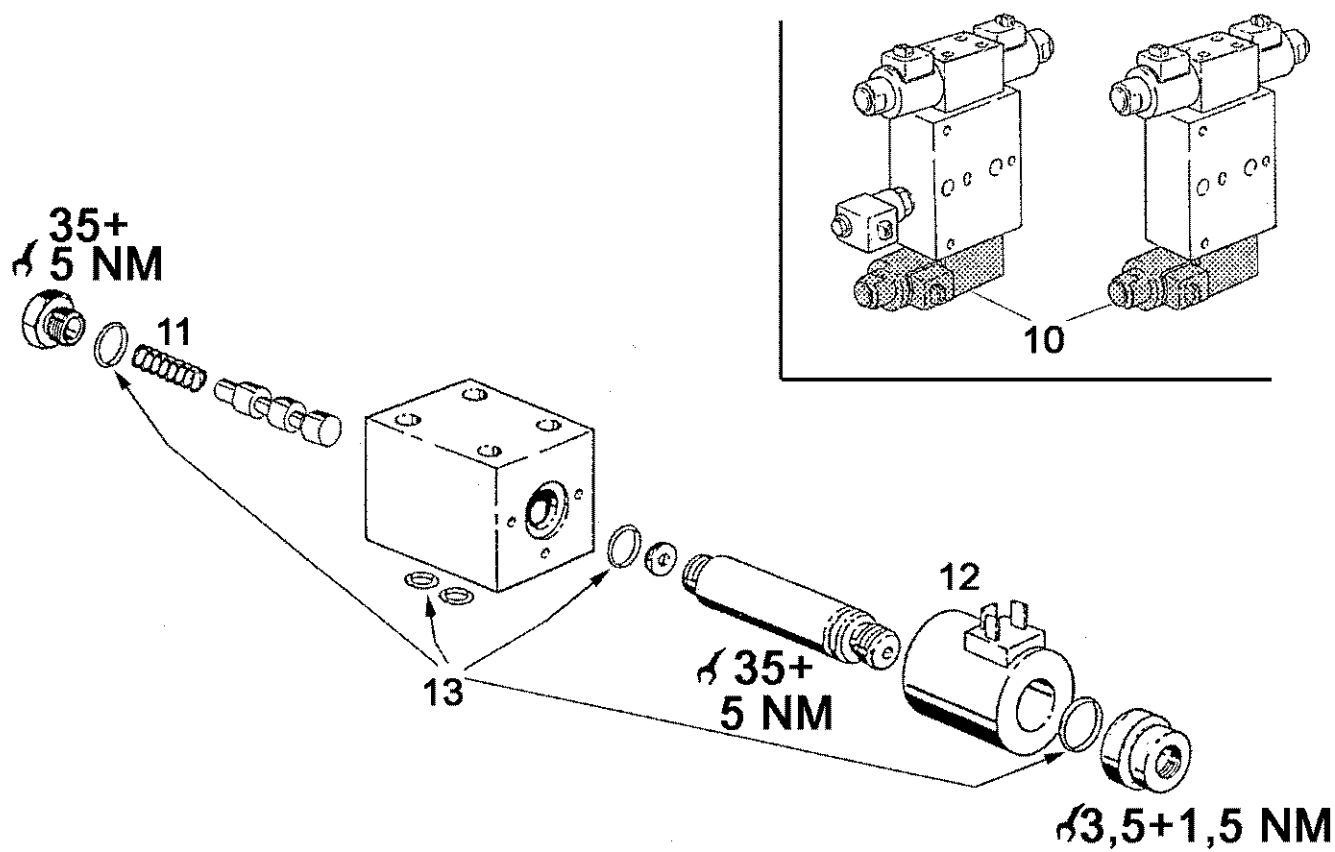
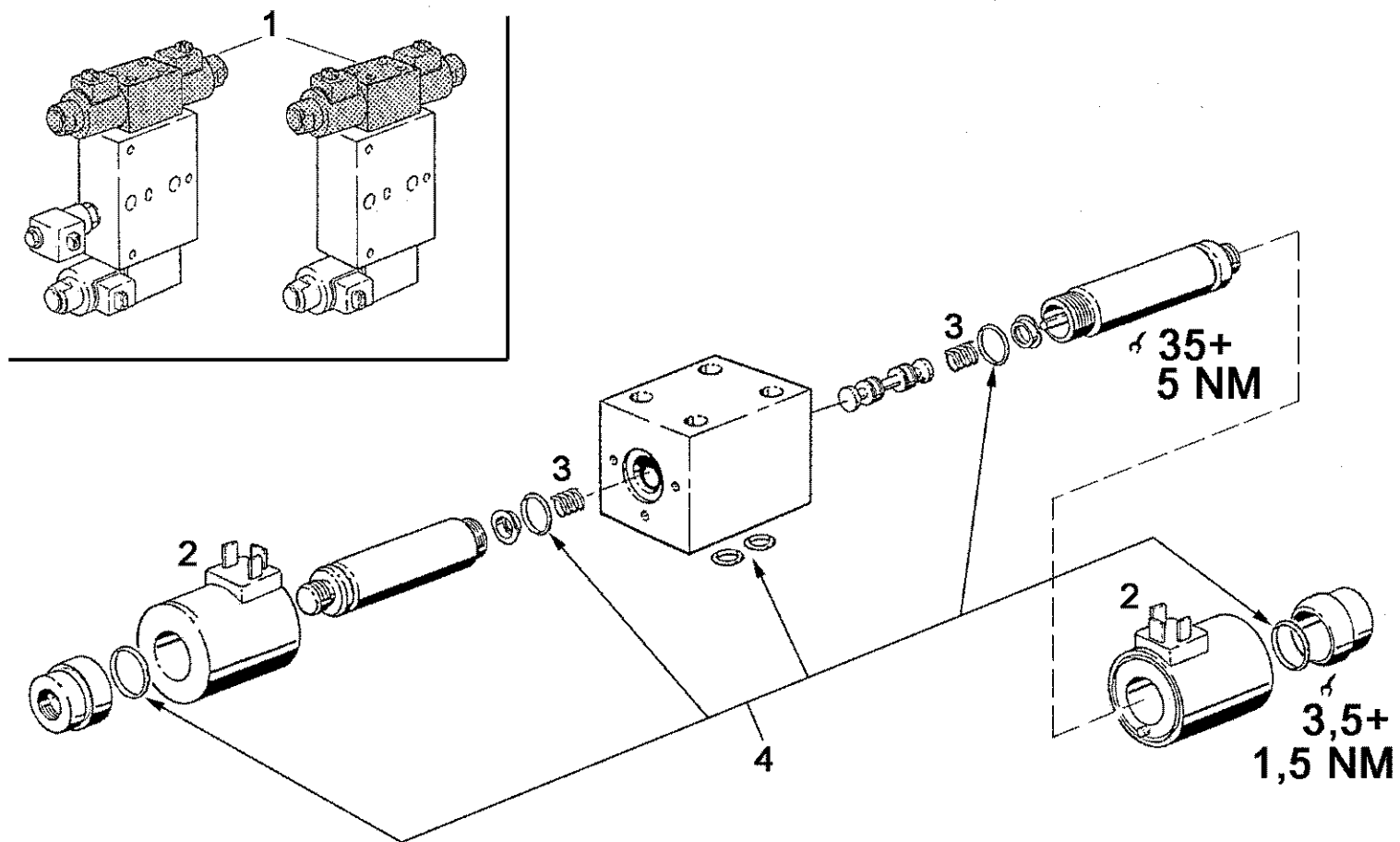


Ref	Onderdeelnummer	Kwt	Beschrijving
1	155700730225	1	KONTROLEKLEP, , Besteht aus/Consists of/Compose de/Bestående af/È composto da 5 - 16 - Ersetzt/Replaces/Remplace/Udskiftet/Sostituisce 155700730104 - Einschließlich/Includes/Avec/Inklusive/Compreso 7, 16
2	190003120574	1	RING, PACKING, , 25,3x2,4-DR150H
3	1397750110	2	O-RING, , 16,3x2,4mm
4	190003098026	2	DICHTINGSRING, , A22x27-CU
5	190003862232	8	SCHROEF, , M5x30-8.8-A2C, DIN912
6	190003935462	8	SLUITRING, , A5,1-A3C
7	139900753001	1	VALVE, , Siehe nächste Seite(n)/See next page(s)/Voir page(s) suivante(s)/Se næste side(r)/Vedere pagin(a/e) seguent(e/i)
8	190003934075	1	BORGPLAAT,
9	1306A010019	1	O-RING,
10	155700733030	1	PIN, LARGE,
11	1288750061	1	SPRING, COMPRESSION,
12	1397730221	1	ZUIGER,
13	155700733005	1	VALVE BLOCK,
14	155700733051	1	PEN,
15	155700733047	2	KLINKNAGEL,
16	1397753002	1	VALVE, , Siehe nächste Seite(n)/See next page(s)/Voir page(s) suivante(s)/Se næste side(r)/Vedere pagin(a/e) seguent(e/i)



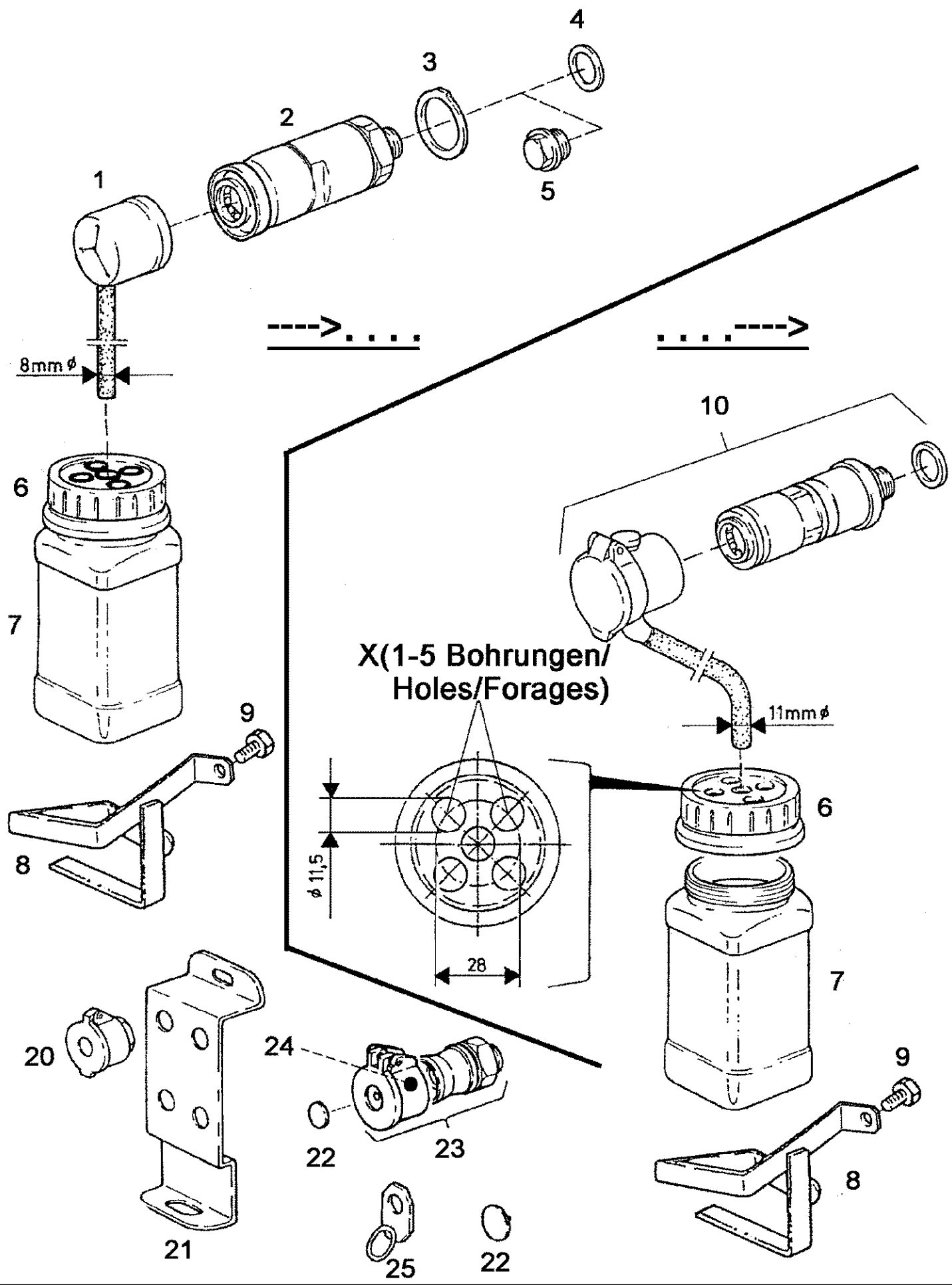


Ref	Onderdeelnummer	Kwt	Beschrijving
1	155700730126	1	KONTROLEKLEP, , Besteht aus/Consists of/Compose de/Bestående af/È composto da 5 - 17
2	190003120574	1	RING, PACKING, , 25,3x2,4-DR150H
3	1397750110	2	O-RING, , 16,3x2,4mm
4	190003098026	2	DICHTINGSRING, , A22x27-CU
5	190003862232	8	SCHROEF, , M5x30-8.8-A2C, DIN912
6	190003935462	8	SLUITRING, , A5,1-A3C
7	139900753001	1	VALVE, , Siehe nächste Seite(n)/See next page(s)/Voir page(s) suivante(s)/Se næste side(r)/Vedere pagin(a/e) seguent(e/i)
8	190003934075	1	BORGPLAAT,
9	1306A010019	1	O-RING,
10	155700733030	1	PIN, LARGE,
11	1288750061	1	SPRING, COMPRESSION,
12	1397730221	1	ZUIGER,
13	155700733053	1	PLAAT, GROOT,
14	155700733051	1	PEN,
15	155700733047	2	KLINKNAGEL,
16	139900753002	1	VALVE,
17	1397753002	1	VALVE, , Siehe nächste Seite(n)/See next page(s)/Voir page(s) suivante(s)/Se næste side(r)/Vedere pagin(a/e) seguent(e/i)

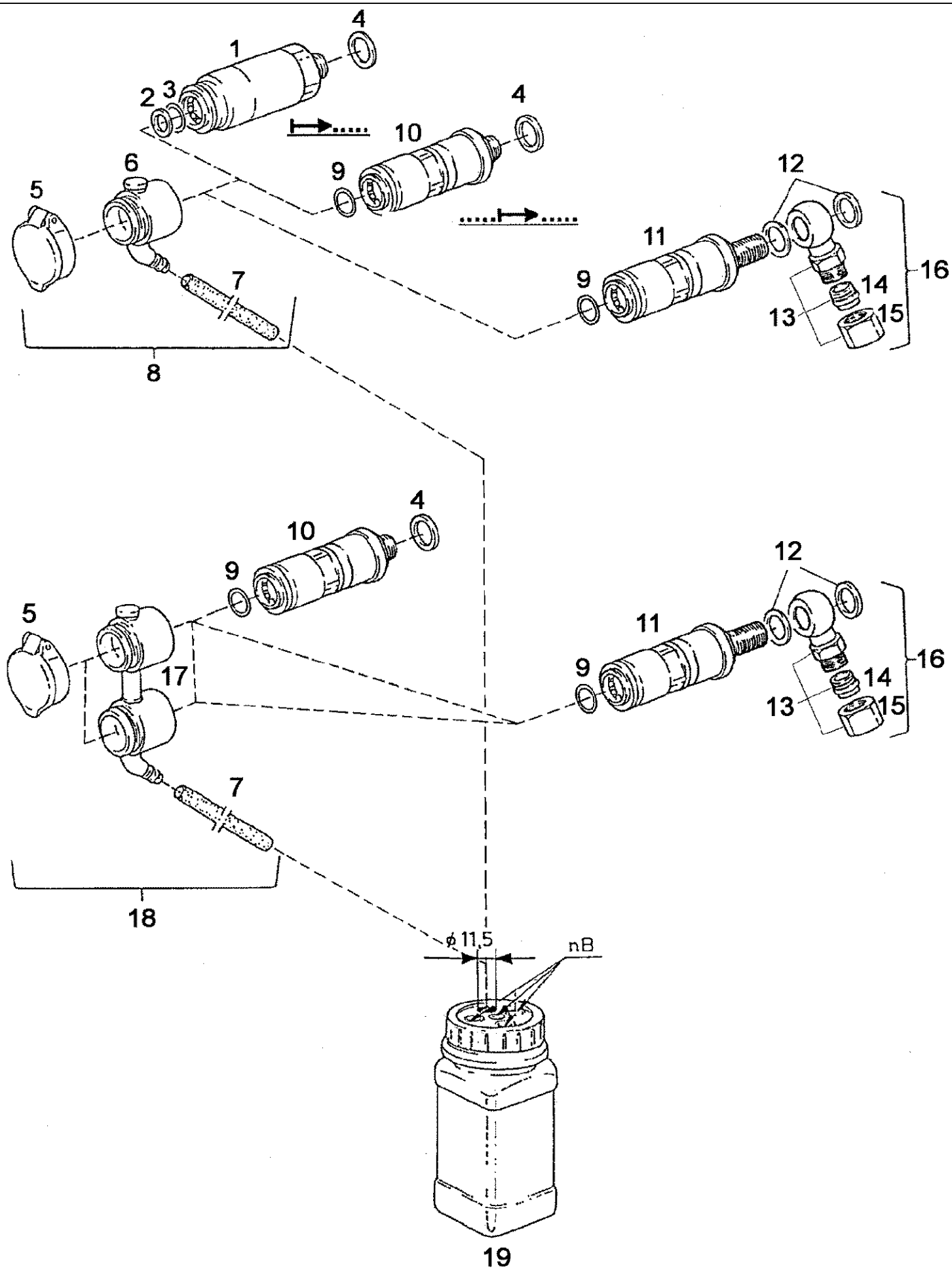


## 08-30(01) VALVE - DISASSEMBLED

Ref	Onderdeelnummer	Kwt	Beschrijving
1	139900753001	1	VALVE,
2	139900750723	2	SPINDLE,
3	139900750722	2	SPRING, COMPRESSION,
4	139900750724	1	KIT, GASKET,
10	1397753002	1	VALVE,
11	139900750728	1	SPRING, COMPRESSION,
12	139900750723	1	SPINDLE,
13	139900750724	1	KIT, GASKET,



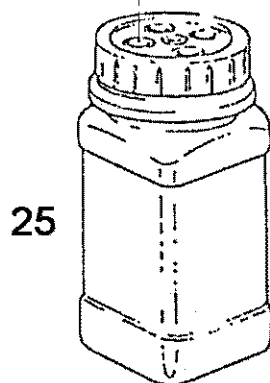
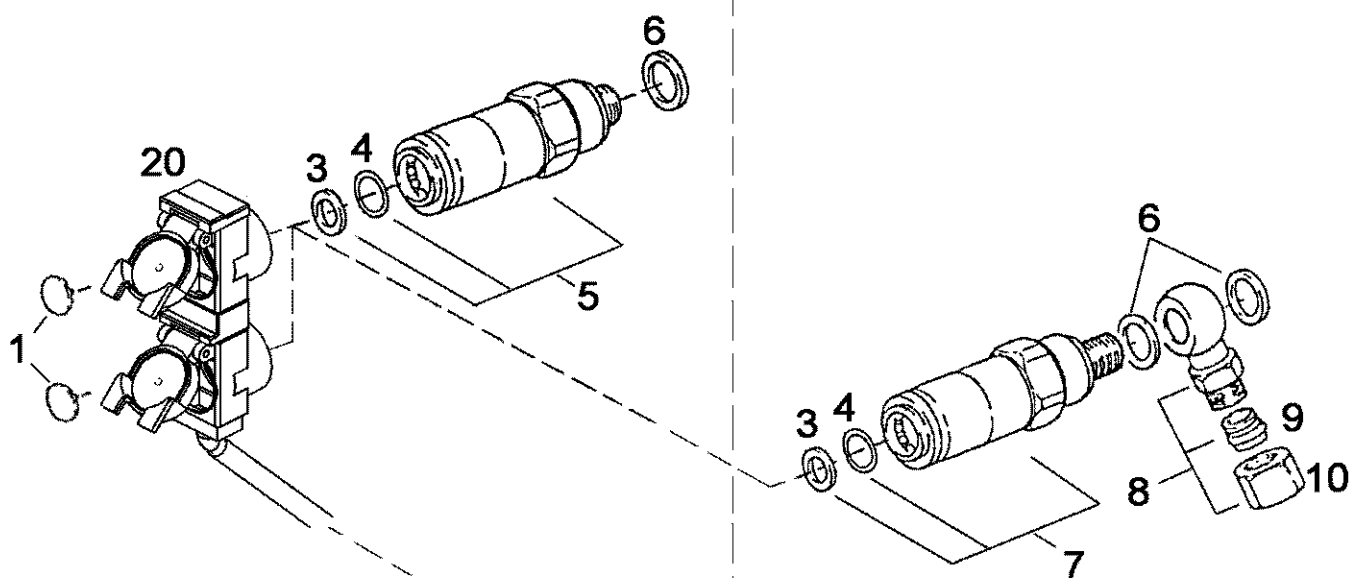
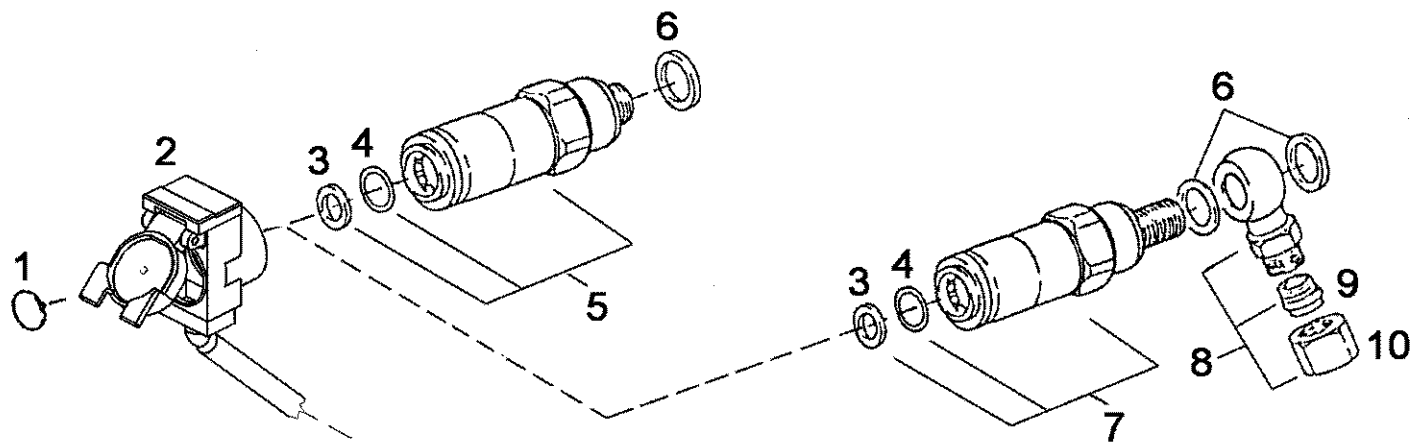
Ref	Onderdeelnummer	Kwt	Beschrijving
1	1-32-373-032	1	PIPE, RETURN, , Ersetzt/Replaces/Remplace/Udskiftet/Sostituisce 155700730182
2	1-32-273-083	1	SNELKOPPELING, , Ersetzt/Replaces/Remplace/Udskiftet/Sostituisce 155700730179
3	155700730198	1	KUNSTSTOFRING, , Ersetzt/Replaces/Remplace/Udskiftet/Sostituisce 155700730203
4	190003098026	1	DICHTINGSRING,
5	190003962038	1	PLUG, Hex Wash Hd, M22 x 1.5,
6	155700730294	1	DEKSEL,
7	155700730293	1	RESERVOIR VOOR HYDR. OLI,
8	1-32-574-075	1	STEUN, , Ersetzt/Replaces/Remplace/Udskiftet/Sostituisce 155700730212, 0281
9	120104	1	BOUT, Hex, M8 x 20, 8.8,
10		1	, KUPPLUNGSMUFFE/CLUTCH SLEEVE/MANCHON D'ACCOUPLLEMENT/KOBLINGSMUFFE/MANICOTTO DISTACCO FRIZIONE - Siehe nächste Seite(n)/See next page(s)/Voir page(s) suivante(s)/Se næste side(r)/Vedere pagin(a/e) sequent(e/i)
20	155700730087	1	COUPLING, PUSH-PULL,
21	1-35-195-002	1	SATELIETDRAGER,
22	1-32-573-217	2	CLIP, ELECTRICAL, , Schwarz/Black/Noir/Sort/Nero - Ersetzt/Replaces/Remplace/Udskiftet/Sostituisce 133700730335
22	1-32-573-212	2	CAP, FILLER, , Rot/Red/Rouge/Rød/Rosso - Ersetzt/Replaces/Remplace/Udskiftet/Sostituisce 133700730331
22	1-32-573-215	2	AFDICHTKNOP, , Blau/Blue/Bleu/Blå/Blu - Ersetzt/Replaces/Remplace/Udskiftet/Sostituisce 133700730332
22	1-32-573-216	2	CLIP, ELECTRICAL, , Grün/Green/Vert/Grøn/Verde - Ersetzt/Replaces/Remplace/Udskiftet/Sostituisce 133700730333
22	1-32-573-213	2	CLIP, ELECTRICAL, , Gelb/Yellow/Jaune/Gul/Giallo - Ersetzt/Replaces/Remplace/Udskiftet/Sostituisce 133700730334
22	1-32-573-218	2	KNOP, , Weiss/White/Blanc/Hvid/Bianco - Ersetzt/Replaces/Remplace/Udskiftet/Sostituisce 133700730336
23	155700730066	1	SNELKOPPELING,
24	155700730710	1	COVER,
25	135700730034	1	STEUN,



----> ....., UDK Coupling under pression

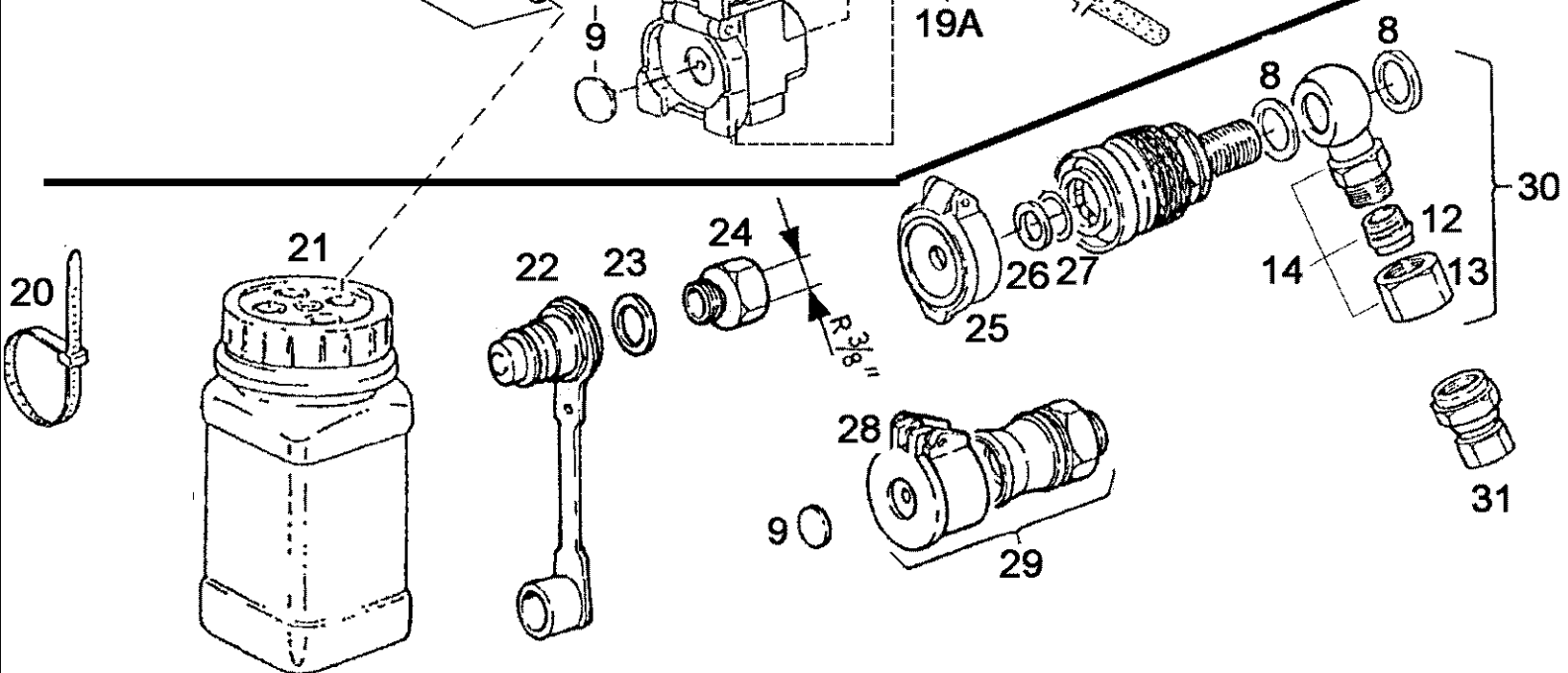
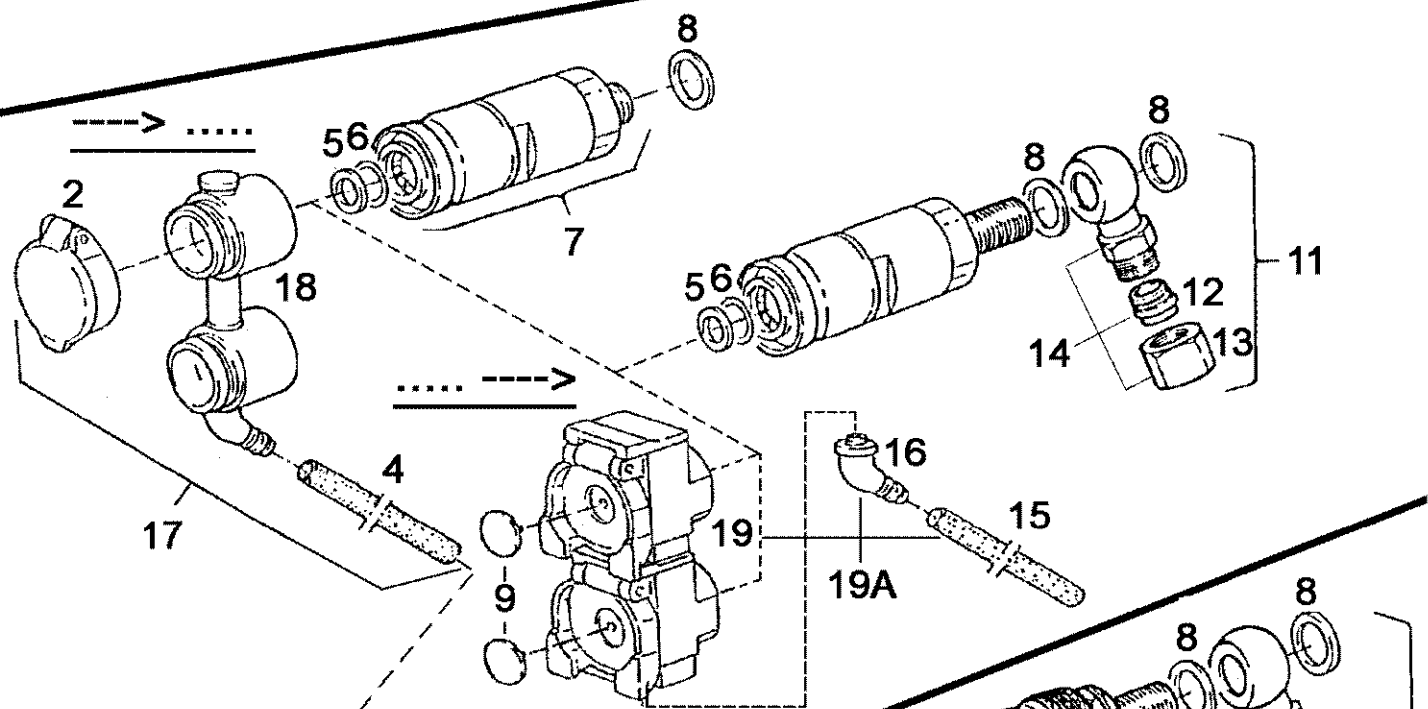
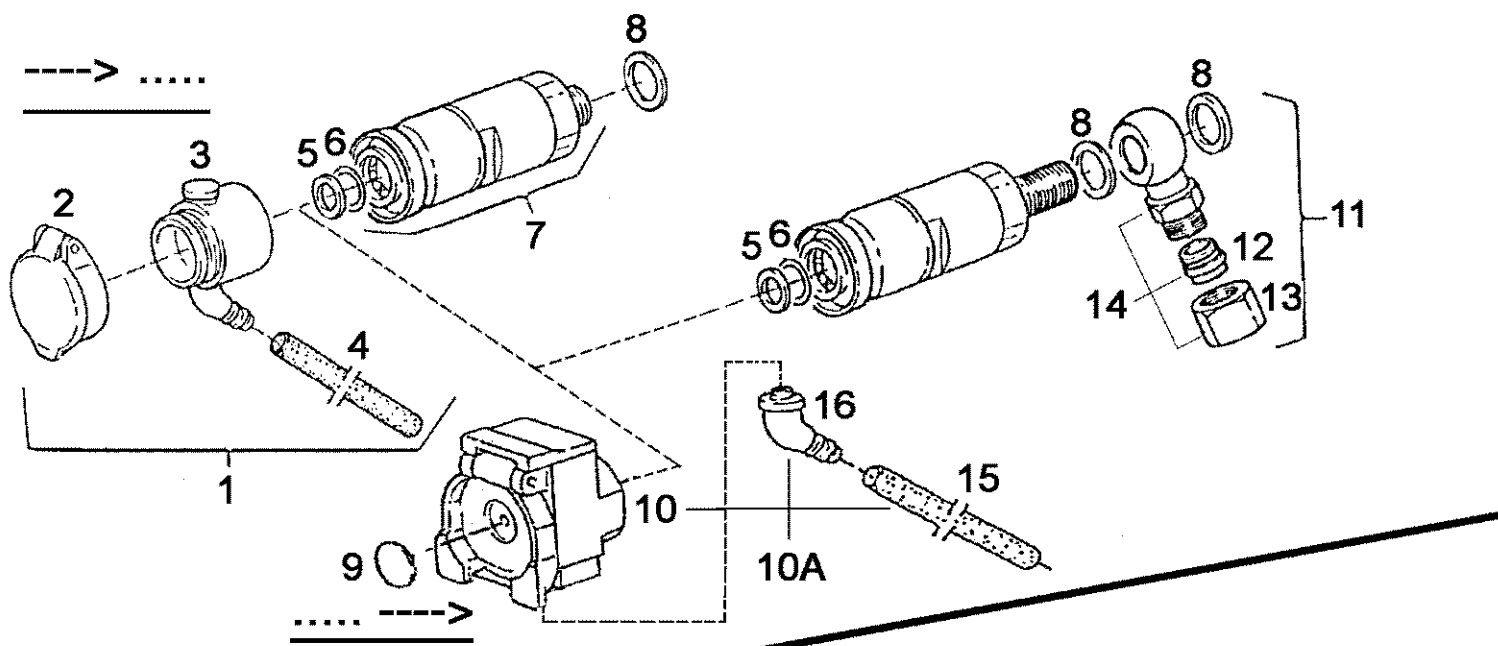
Ref	Onderdeelnummer	Kwt	Beschrijving
1	155700730180	1	COUPLING, BREAK AWAY, , ----> ..... - Einschließlich/Includes/Avec/Inklusive/Compreso 2, 3
2	1288730866	1	RING, BACK-UP, , 20,6x26,7x1
3	1288730865	1	O-RING, , 20,22x3,53
4	190003098026	1/2	DICHTINGSRING, , A22x27-CU
5	155700730280	1/2	FLAP,
6	155700730287	1	LAGERBUS,
7	155700730288	1	FLEXIBELE BUIS, , 8x11x800
8	155700730270	1	PIPE, RETURN, , Besteht aus/Consists of/Compose de/Bestående af/È composto da 5 - 7
9	155700730713	1/2	O-RING, , 20,29x2,62
10	155700730274	1/2	COUPLING, SPLINED, , ..... ----> - Einschließlich/Includes/Avec/Inklusive/Compreso 9
11	155700730275	1/2	COUPLING, BREAK AWAY, , Einschließlich/Includes/Avec/Inklusive/Compreso 9
12	190003098026	2/4	DICHTINGSRING, , A22x27-CU
13	155700730284	1/2	VERBINDINGSBOUT, , Einschließlich/Includes/Avec/Inklusive/Compreso 14, 15
14	133700730482	1/2	KEGELVORMIGE SNIJRING,
15	190003559515	1/2	MOER, , AL15
16	155700730285	1/2	COUPLING, SPLINED, , Besteht aus/Consists of/Compose de/Bestående af/È composto da 9, 11 - 13
17	155700730286	1	PIPE, RETURN,
18	155700730273	1	VERDEELSTUK, , Besteht aus/Consists of/Compose de/Bestående af/È composto da 5, 7, 17
19		1	, BEHÄLTER/CONTAINER/RESERVOIR/BEHOLDER/SERBATOIO - Siehe Seite(n) vorne/See page(s) before/Voir page(s) avant(es)/Se side(r) forrest/Vedere pagin(a/e) precedent(e/i)





Ref	Onderdeelnummer	Kwt	Beschrijving
1		X	, Siehe Seite(n) vorne/See page(s) before/Voir page(s) avant(es)/Se side(r) forrest/Vedere pagin(a/e) precedent(e/i)
2	1-32-373-232	1	AANSLUITING, , Siehe nächste Seite(n)/See next page(s)/Voir page(s) suivante(s)/Se næste side(r)/Vedere pagin(a/e) sequent(e/i)
3	155700730718	1/2	RESERVERING,
4	155700730713	1/2	O-RING, , 20,29x2,62
5	1-32-373-037	1/2	COUPLING, PUSH-PULL,
6	1-32-273-082	1	DICHTINGSRING, , 22x30-CU
7	1-32-373-038	1/2	COUPLING, PUSH-PULL,
8	155700730284	1/2	VERBINDINGSBOUT,
9	133700730482	1/2	KEGELVORMIGE SNIJRING,
10	190003559515	1/2	MOER, , AL15
20	1-32-373-233	1	KAST, , Siehe nächste Seite(n)/See next page(s)/Voir page(s) suivante(s)/Se næste side(r)/Vedere pagin(a/e) sequent(e/i)
25		1	, BEHÄLTER/CONTAINER/RESERVOIR/BEHOLDER/SERBATOIO - Siehe Seite(n) vorne/See page(s) before/Voir page(s) avant(es)/Se side(r) forrest/Vedere pagin(a/e) precedent(e/i)

..... ---->, UDK Coupling under pression



Ref	Onderdeelnummer	Kwt	Beschrijving
1	1-32-373-032	1/2	PIPE, RETURN, , Besteht aus/Consists of/Compose de/Bestående af/È composto da 2 - 4 - Ersetzt/Replaces/Remplace/Udskiftet/Sostituisce 155700730270
2	155700730280	1/2	FLAP,
3	155700730287	1/2	LAGERBUS,
4	155700730288	1/2	FLEXIBELE BUIS, , 8x11x800
5	1288730865	1/2	O-RING, , 20,22x3,53
6	1288730866	1/2	RING, BACK-UP, , 20,6x26,7x1
7	1-32-273-083	1/2	SNELKOPPELING, , Einschließlich/Includes/Avec/Inklusive/Compreso 5, 6 - Ersetzt/Replaces/Remplace/Udskiftet/Sostituisce 155700730179, 1-32-373-037, 1-32-273-080
8	190003098026	2/4	DICHTINGSRING, , A22x27-CU
9		1	, KNOPF/BUTTON/BOUTON/KNAP/PULSANTE - Siehe Seite(n) vorne/See page(s) before/Voir page(s) avant(es)/Se side(r) forrest/Vedere pagin(a/e) precedent(e/i)
10	1-32-373-034	1	KAST,
10A	1-32-373-032	1	PIPE, RETURN, , Ersetzt/Replaces/Remplace/Udskiftet/Sostituisce 155700730270 - Besteht aus/Consists of/Compose de/Bestående af/È composto da 10,15,16
11	1-32-273-084	1/2	COUPLING, PUSH-PULL, , Einschließlich/Includes/Avec/Inklusive/Compreso 5, 6, 8, 14 - Ersetzt/Replaces/Remplace/Udskiftet/Sostituisce 155700730181, 1-32-373-038, 1-32-273-081
12	133700730482	1/2	KEGELVORMIGE SNIJRING,
13	190003559515	1/2	MOER, , AL15
14	155700730284	1/2	VERBINDINGSBOUT, , Einschließlich/Includes/Avec/Inklusive/Compreso 12, 13
15	155700730288	1	FLEXIBELE BUIS,
16	155700730304	1	VERBINDING,
17	155700730273	1/2	VERDEELSTUK, , ..... ----> Besteht aus/Consists of/Compose de/Bestående af/È composto da 2, 4, 18
18	1-32-373-039	1/2	KAST, , Ersetzt/Replaces/Remplace/Udskiftet/Sostituisce 155700730286
19	1-32-373-039	1	KAST, , Ersetzt/Replaces/Remplace/Udskiftet/Sostituisce 155700730183, 155700730273
19A	1-32-373-033	1	CAP ASSY., , Ersetzt/Replaces/Remplace/Udskiftet/Sostituisce 155700730286 - Besteht aus/Consists of/Compose de/Bestående af/È composto da 15,16,19
20	190003171697	2	BEVESTIGINGSKLEM, , A5x180 / K02
21		1	, BEHÄLTER/CONTAINER/RESERVOIR/BEHOLDER/SERBATOIO - Siehe Seite(n) vorne/See page(s) before/Voir page(s) avant(es)/Se side(r) forrest/Vedere pagin(a/e) precedent(e/i)
22	1288730249	1	COUPLING, SPLINED,
23	190003098026	1	DICHTINGSRING, , A22x27-CU
24	133700730075	1	RESTRICTOR,
25	155700730715	1	FLAP,
26	1288730866	1/2	RING, BACK-UP, , 20,6x26,7x1
27	1288730865	1/2	O-RING, , 20,22x3,53
28	1-32-373-173	1	PLUG, , Ersetzt/Replaces/Remplace/Udskiftet/Sostituisce 155700730710
29	1-32-373-175	1	SNELKOPPELING, , Einschließlich/Includes/Avec/Inklusive/Compreso 30 - Ersetzt/Replaces/Remplace/Udskiftet/Sostituisce 155700730066
30	155700730138	1	COUPLING, SPLINED, , Besteht aus/Consists of/Compose de/Bestående af/È composto da 8, 14, 25 - 27

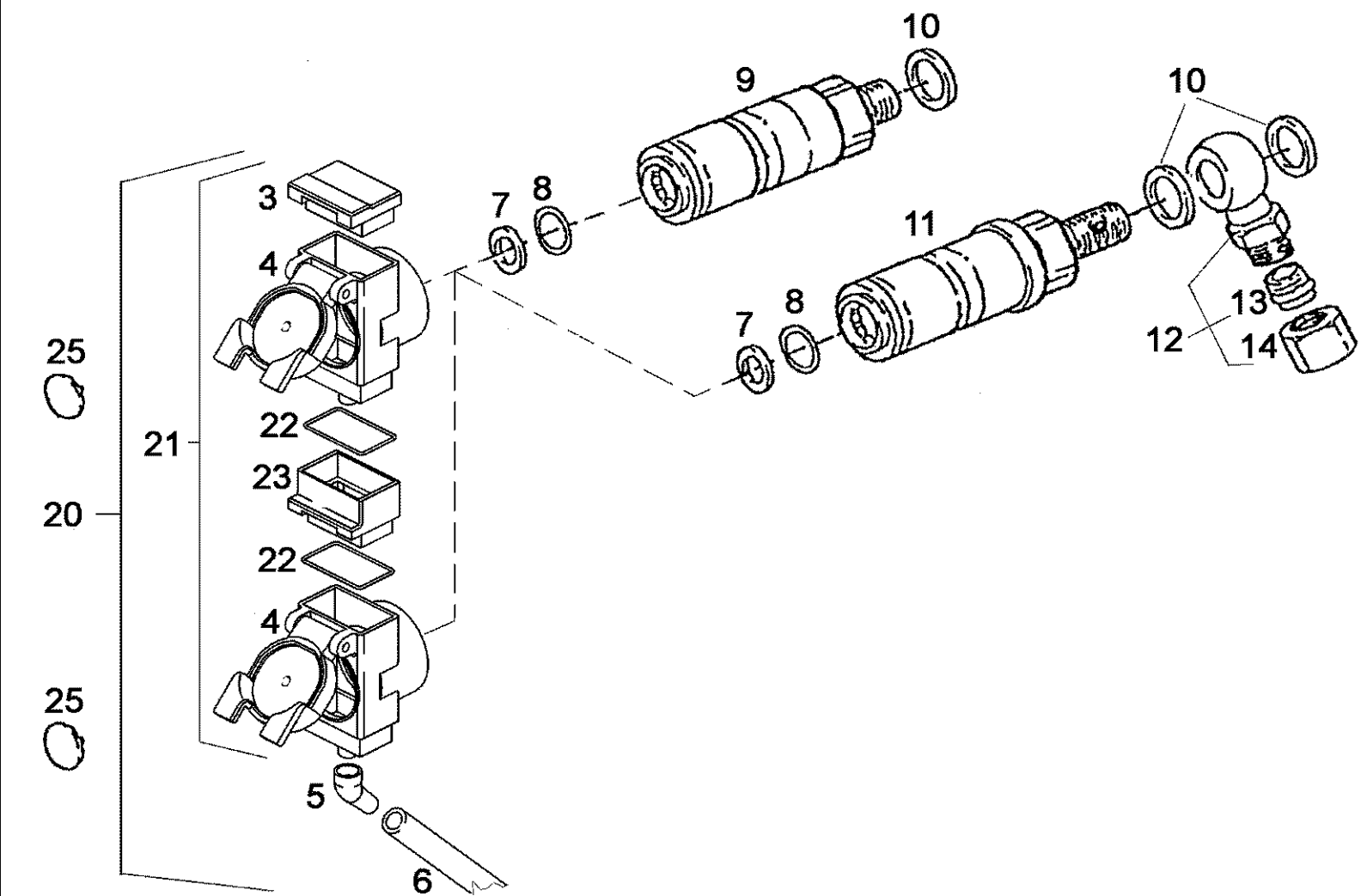
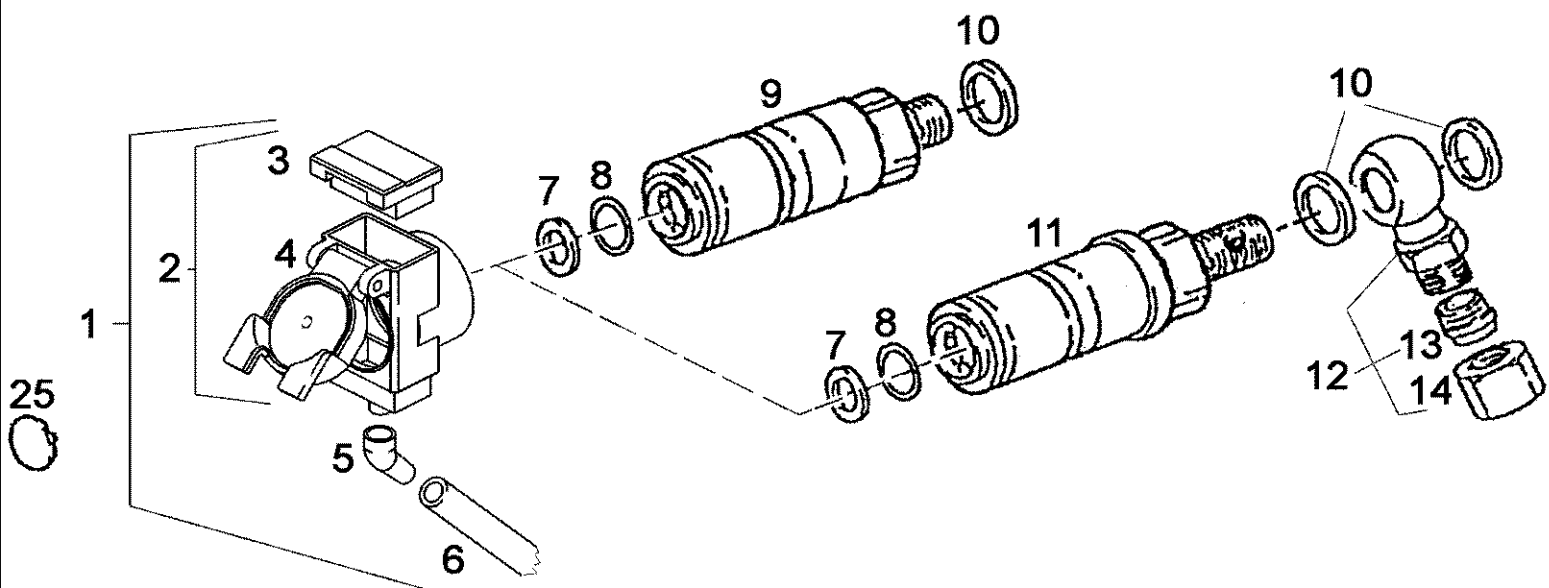
955 STEYR TRACTOR (2/92-6/97) - Hydraulisch Systeem

08-34(01) HYDRAULIC COUPLINGS STANDARD / ----> .....

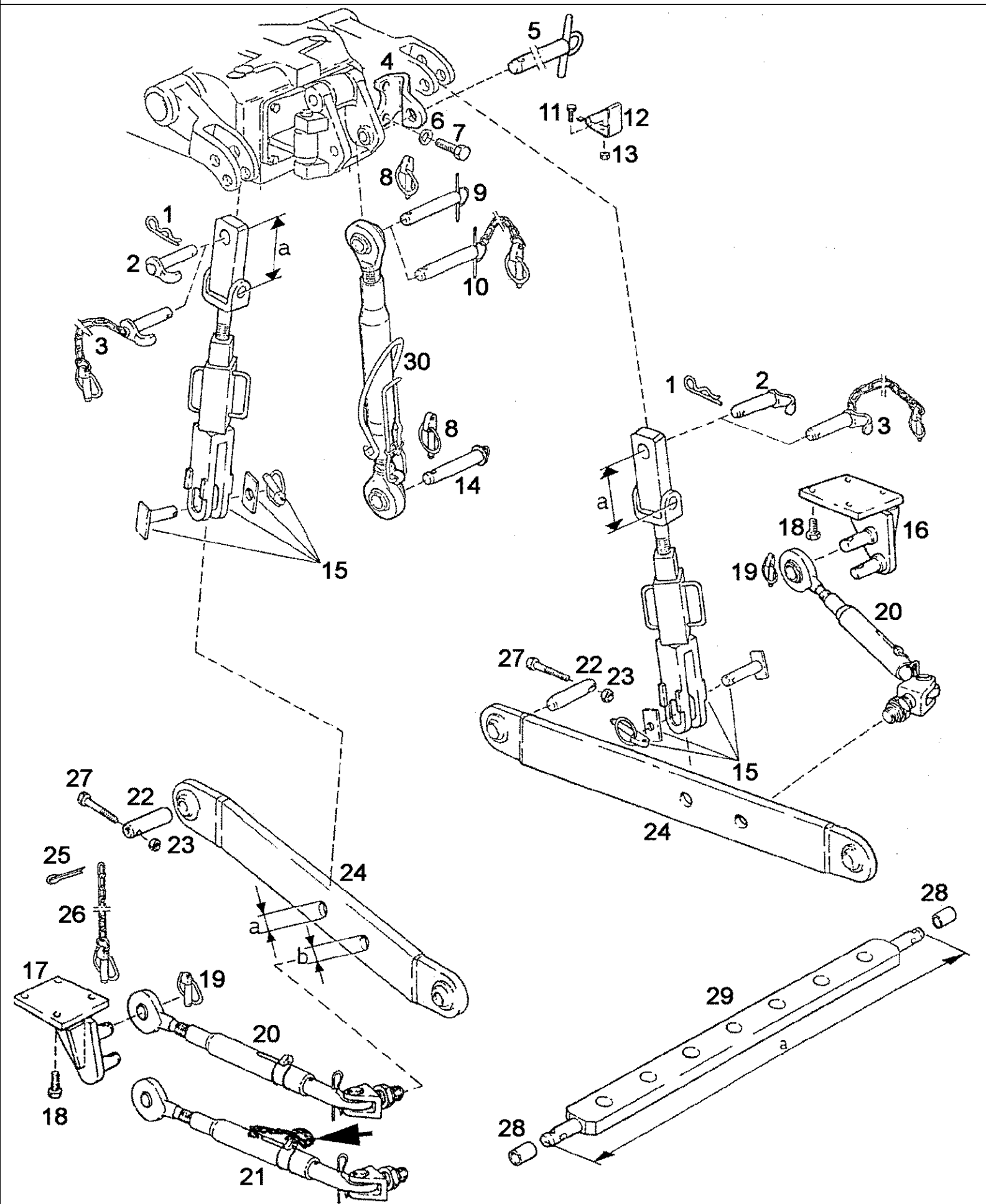
Ref	Onderdeelnummer	Kwt	Beschrijving
-----	-----------------	-----	--------------

31	133700732205	1	RESTRICTOR,
----	--------------	---	-------------

----> .....



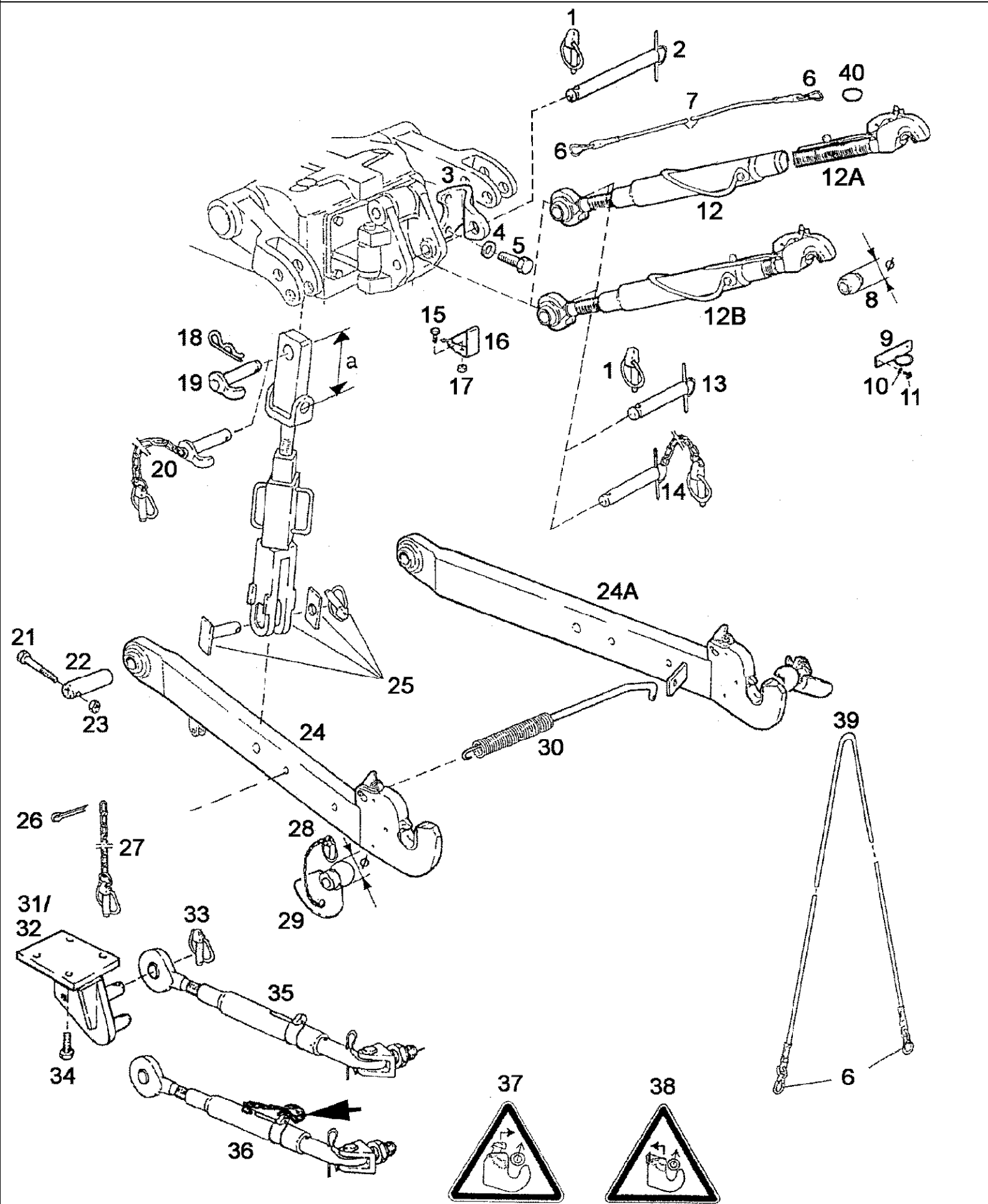
Ref	Onderdeelnummer	Kwt	Beschrijving
1	1-32-373-232	1/2	AANSLUITING, , Ersetzt/Replaces/Remplace/Udskiftet/Sostituisce 1-32-373-032 - Besteht aus/Consists of/Compose de/Bestående af/È composto da 3 - 6
2	1-32-373-034	1	KAST, , Besteht aus/Consists of/Compose de/Bestående af/È composto da 3, 4
3	1-32-373-218	1	DEKSEL,
4	1-32-373-216	1/2	HULS,
5	155700730304	1	VERBINDING,
6	1-32-373-220	1	FLEXIBELE BUIS, , 8x11x800, Schwarz/Black/Noir/Sort/Nero
7	1-32-773-037	1/2	RESERVERING,
8	1-32-773-038	1/2	O-RING, , 20,29x2,62
9	1-32-273-083	1/2	SNELKOPPELING, , Ersetzt/Replaces/Remplace/Udskiftet/Sostituisce 1-32-373-037, 1-32-273-080 - Einschließlich/Includes/Avec/Inklusive/Compreso 2, 3
10	1-32-273-082	1/2	DICHTINGSRING, , 22x30-CU
11	1-32-273-084	1/2	COUPLING, PUSH-PULL, , Ersetzt/Replaces/Remplace/Udskiftet/Sostituisce 1-32-373-038, 1-32-273-081 - Einschließlich/Includes/Avec/Inklusive/Compreso 2, 3
12	155700730284	1/2	VERBINDINGSBOUT,
13	133700730482	1/2	KEGELVORMIGE SNIJRING,
14	190003559515	1/2	MOER, , AL15
20	1-32-373-233	1/2	KAST, , Ersetzt/Replaces/Remplace/Udskiftet/Sostituisce 1-32-373-033 - Besteht aus/Consists of/Compose de/Bestående af/È composto da 3 - 6, 22, 23
21	1-32-373-039	1	KAST, , Besteht aus/Consists of/Compose de/Bestående af/È composto da 3, 4, 22, 23
22	1-32-373-219	2	O-RING,
23	NSS	1	NIET ALLEEN VERKRIJGBAAR,
25		X	, KNOPF/BUTTON/BOUTON/KNAP/PULSANTE - Siehe Seite(n) vorne/See page(s) before/Voir page(s) avant(es)/Se side(r) forrest/Vedere pagin(a/e) precedent(e/i)





## 08-36(01) POWER LIFT LINKAGE

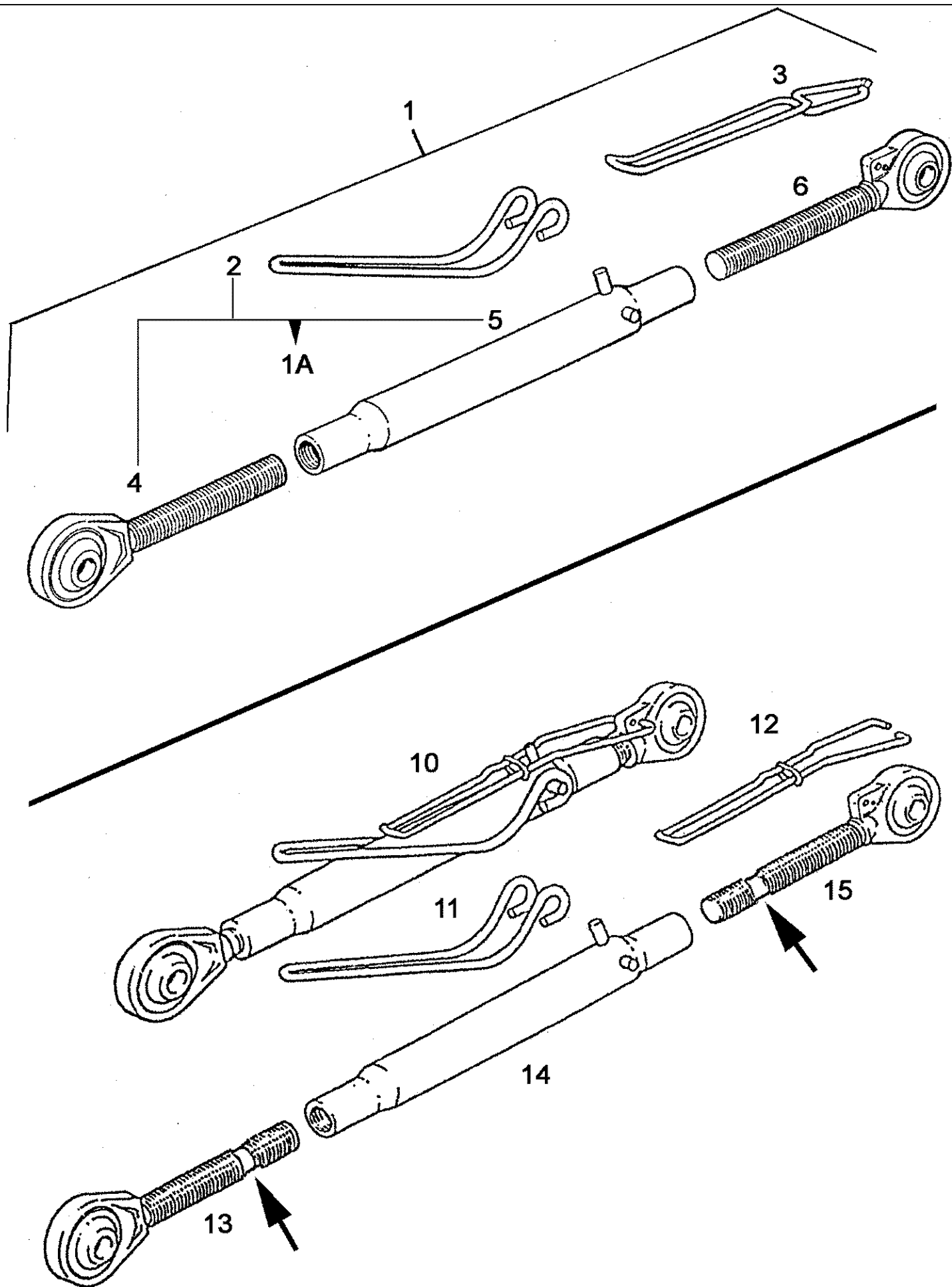
Ref	Onderdeelnummer	Kwt	Beschrijving
1	1192740022	2	VEER,
2	1292740148	2	PIN, LARGE,
3	1-32-274-015	2	BOLT, SPECIAL, , Ersetzt/Replaces/Remplace/Udskiftet/Sostituisce 133700740298
4	135700730250	1	VERGRENDELING,
5	1-32-273-260	1	PEN, , Ersetzt/Replaces/Remplace/Udskiftet/Sostituisce 135700730314
6	190003930282	2	SCHIJF, , A13
7	190003803680	2	SCHROEF, , M12x1,5x55-10.9
8	180740235	1	PIN, LARGE,
9	135700930064	1	PIN, LARGE,
10	133700740296	1	PIN, LARGE,
11	43138	1	BOUT, Hex, M10 x 20, 8.8, Full Thd,
12	135700740089	1	VEER,
13	100016	1	MOER, M10, CI 8,
14	1-32-174-006	1	PIN, CROSS,
15	133700740205	2	TRESTLE, , a=75mm, ----> ..... - Siehe nächste Seite(n)/See next page(s)/Voir page(s) suivante(s)/Se næste side(r)/Vedere pagin(a/e) sequent(e/i)
15	133700740295	2	ROD, LIFTING, , a=105mm, ..... ----> - Ersetzt/Replaces/Remplace/Udskiftet/Sostituisce 133700740290 - Siehe nächste Seite(n)/See next page(s)/Voir page(s) suivante(s)/Se næste side(r)/Vedere pagin(a/e) sequent(e/i)
16	1-32-274-002	1	HOUDER, , Rechts/Right/Droite/Højre/Destra - Ersetzt/Replaces/Remplace/Udskiftet/Sostituisce 153700740012
17	1-32-274-003	1	HOUDER, , Links/Left/Gauche/Venstre/Sinistro - Ersetzt/Replaces/Remplace/Udskiftet/Sostituisce 153700740013
18	280854	8	BOUT, Hex, M14 x 35, 8.8, Full Thd, , M14x35-8.8
19	1397740243	2/2	PIN, LARGE,
20	133700740280	2	STEM, , Siehe nächste Seite(n)/See next page(s)/Voir page(s) suivante(s)/Se næste side(r)/Vedere pagin(a/e) sequent(e/i)
21	133700740315	2	STAY, , Ersetzt/Replaces/Remplace/Udskiftet/Sostituisce 133700740216, 133700740280 - Siehe nächste Seite(n)/See next page(s)/Voir page(s) suivante(s)/Se næste side(r)/Vedere pagin(a/e) sequent(e/i)
22	1395740232	2	PIN, PIVOT,
23	190003888452	2	MOER, , VM10-8
24	133700740310	2	LINK, UPPER, , Ersetzt/Replaces/Remplace/Udskiftet/Sostituisce 133700740231
25	190003920511	2	SPLITPEN,
26	1397740242	2/2	PIN, LINCH,
27	190003862556	2	SCHROEF, , M10x65-8.8
28	1190740090	2	LAGER,KOPPELING DRUKPLAA,
29	133700740051	1	TREKBOOM, , l=823mm - Kat./Cat./Cat. 1
29	1397740220	1	TREKBOOM, , l=965mm - Kat./Cat./Cat. 2
30	1-32-274-025	1	LINK, UPPER, , Ersetzt/Replaces/Remplace/Udskiftet/Sostituisce 133700740211 - Siehe nächste Seite(n)/See next page(s)/Voir page(s) suivante(s)/Se næste side(r)/Vedere pagin(a/e) sequent(e/i)



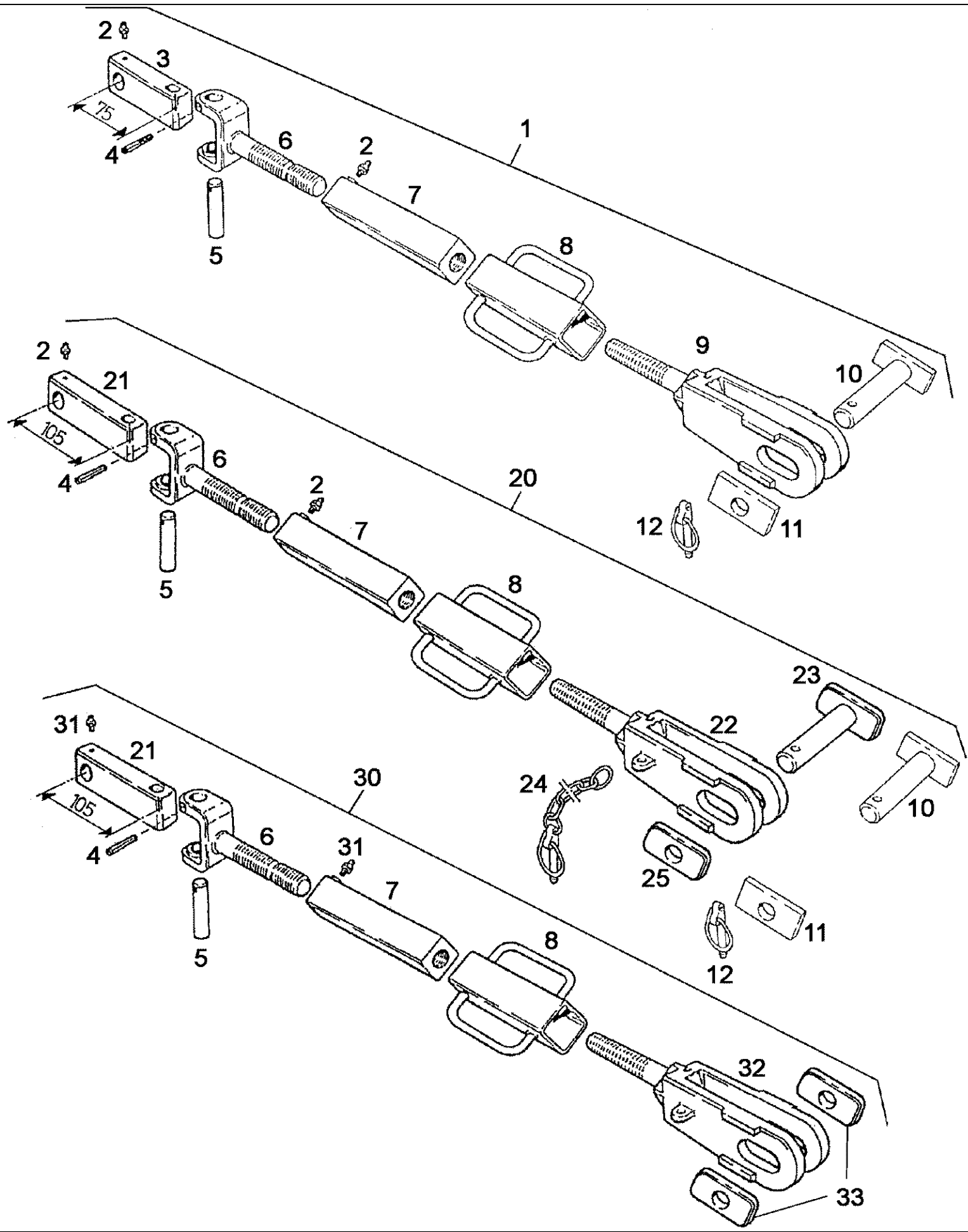
## 08-37(01) POWER LIFT LINKAGE QUICK COUPLER

Ref	Onderdeelnummer	Kwt	Beschrijving
1	180740235	1	PIN, LARGE,
2	1-32-273-260	1	PEN, , Ersetzt/Replaces/Remplace/Udskiftet/Sostituisce 135700730314
3	135700730250	1	VERGRENDELING,
4	190003930282	1	SCHIJF, , A13
5	190003803680	1	SCHROEF, , M12x1,5x55-10.9
6	190003599418	4	HAAK, , B60
7	1397740227	1	ROPE, METAL,
8	137700740185	1	KOGELGEWRIGHT, , Ø=50mm
9	135700740018	1	HOUDER,
10	190003931082	2	SLUITRING, , A6
11	190003846321	2	SCHROEF,
12	133700740266	1	LINK, UPPER, , ----> ....., Wahlweise/Optional/En option/Efter valg/A scelta - Siehe nächste Seite(n)/See next page(s)/Voir page(s) suivante(s)/Se næste side(r)/Vedere pagin(a/e) sequent(e/i)
12	133700740267	1	LINK, UPPER, , ----> ....., Wahlweise/Optional/En option/Efter valg/A scelta
12	133700740268	1	LINK, UPPER, , ----> ....., Wahlweise/Optional/En option/Efter valg/A scelta
12A	135700740119	1	TRUSS ROD, , ----> ....., Wahlweise/Optional/En option/Efter valg/A scelta - Siehe nächste Seite(n)/See next page(s)/Voir page(s) suivante(s)/Se næste side(r)/Vedere pagin(a/e) sequent(e/i)
12A	137700740105	1	HAAK, , Wahlweise/Optional/En option/Efter valg/A scelta - Siehe nächste Seite(n)/See next page(s)/Voir page(s) suivante(s)/Se næste side(r)/Vedere pagin(a/e) sequent(e/i)
12B	1-32-374-020	1	LINK, UPPER, , EHR, Ersetzt/Replaces/Remplace/Udskiftet/Sostituisce 155700740066, 155700740067 - Siehe nächste Seite(n)/See next page(s)/Voir page(s) suivante(s)/Se næste side(r)/Vedere pagin(a/e) sequent(e/i)
12B	1-32-274-030	1	LINK, UPPER, , MHR, ..... ---->Ersetzt/Replaces/Remplace/Udskiftet/Sostituisce 135700740115, 135700740116, 135700740117 - Siehe nächste Seite(n)/See next page(s)/Voir page(s) suivante(s)/Se næste side(r)/Vedere pagin(a/e) sequent(e/i)
13	135700930064	1	PIN, LARGE,
14	133700740296	1	PIN, LARGE,
15	43138	2	BOU, Hex, M10 x 20, 8.8, Full Thd,
16	135700740089	1	VEER,
17	100016	2	MOER, M10, CI 8,
18	1192740022	2	VEER,
19	1292740148	2	PIN, LARGE,
20	1-32-274-015	2	BOLT, SPECIAL,
21	190003862556	2	SCHROEF, , M10x65-8.8
22	1395740232	2	PIN, PIVOT,
23	190003888452	2	MOER, , VM10-8
24	133700740224	1	LINK, UPPER, , ----> ....., Links/Left/Gauche/Venstre/Sinistro - Siehe nächste Seite(n)/See next page(s)/Voir page(s) suivante(s)/Se næste side(r)/Vedere pagin(a/e) sequent(e/i)
24	1-32-274-036	1	LINK, LOWER, , ..... ---->, Links/Left/Gauche/Venstre/Sinistro - Kat./Cat./Cat. 2 - Siehe nächste Seite(n)/See next page(s)/Voir page(s) suivante(s)/Se næste side(r)/Vedere pagin(a/e) sequent(e/i) - Ersetzt/Replaces/Remplace/Udskiftet/Sostituisce 133700740301

Ref	Onderdeelnummer	Kwt	Beschrijving
24A	133700740225	1	LINK, UPPER, , ----> ....., Rechts/Right/Droite/Højre/Destra - Siehe nächste Seite(n)/See next page(s)/Voir page(s) suivante(s)/Se næste side(r)/Vedere pagin(a/e) seguent(e/i)
24A	1-32-274-035	1	LINK, LOWER, , ..... ---->, Rechts/Right/Droite/Højre/Destra - Kat./Cat./Cat. 2 - Siehe nächste Seite(n)/See next page(s)/Voir page(s) suivante(s)/Se næste side(r)/Vedere pagin(a/e) seguent(e/i) - Ersetzt/Replaces/Remplace/Udskiftet/Sostituisce 133700740300
25	133700740205	2	TRESTLE, , a=75mm, ----> ..... - Siehe nächste Seite(n)/See next page(s)/Voir page(s) suivante(s)/Se næste side(r)/Vedere pagin(a/e) seguent(e/i)
25	133700740295	2	ROD, LIFTING, , a=105mm, ..... ----> - Ersetzt/Replaces/Remplace/Udskiftet/Sostituisce 133700740290 - Siehe nächste Seite(n)/See next page(s)/Voir page(s) suivante(s)/Se næste side(r)/Vedere pagin(a/e) seguent(e/i)
26	190003920511	1	SPLITPEN, , 6,3x32
27	1397740242	2/2	PIN, LINCH,
28	137700740711	2	PIN, LINCH,
29	137700740187	2	KOGELWRIGHT, , Einschließlich/Includes/Avec 28
29	137700740110	2	KOGELWRIGHT, , Einschließlich/Includes/Avec 28 - Wahlweise/Optional/En option/Efter valg/A scelta
30	1397740310	1	AFSTANDSRING,
31	133700740305	1	LAGER, , Links/Left/Gauche - Ersetzt/Replaces/Remplace/Udskiftet/Sostituisce 133700740269
32	133700740306	1	LAGER, , Rechts/Right/Droite - Ersetzt/Replaces/Remplace/Udskiftet/Sostituisce 133700740270
33	1397740242	1	PIN, LINCH,
33	1397740243	2	PIN, LARGE,
34	280854	8	BOUT, Hex, M14 x 35, 8.8, Full Thd, , M14x35-8.8
35	133700740280	2	STEM, , ----> ....., See next page(s)/Voir page(s) suivante(s)
36	133700740315	2	STAY, , ..... ---->, Replaces 133700740216, 133700740280 - See next page(s)/Voir page(s) suivante(s)
37	1-32-574-042	1	DECAL,
38	1-32-574-072	1	DECAL,
39	137700740111	1	FLEXIBELE KABEL, , l= 4000mm, Einschließlich/Includes/Avec 6
40	1-32-274-012	1	RING,

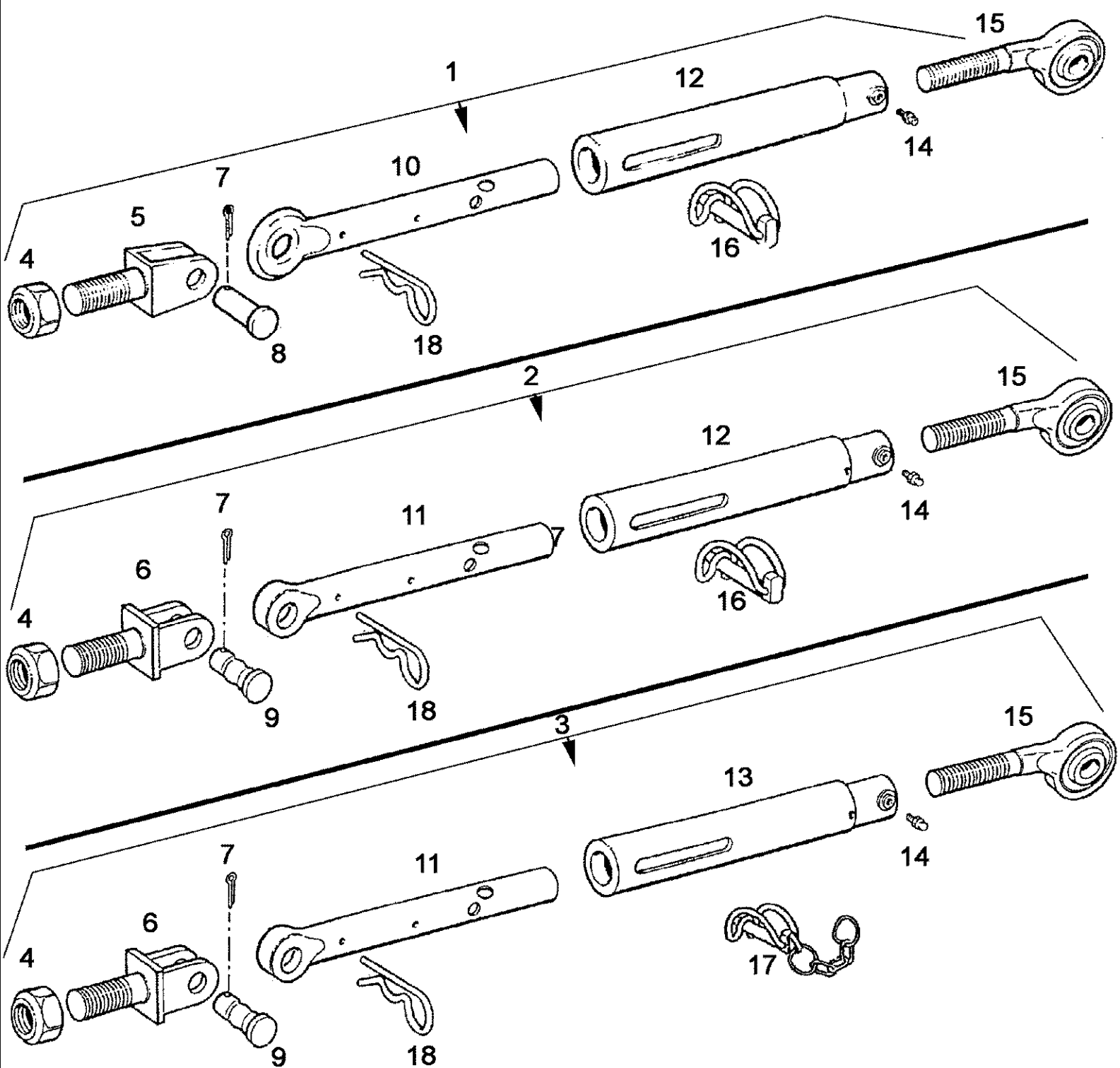


Ref	Onderdeelnummer	Kwt	Beschrijving
1	133700740211	1	LINK, UPPER, , ---->. . . . , Besteht aus/Consists of/Compose de/Bestående af/È composto da de 2 - 6
1A	133700740266	1	LINK, UPPER, , ---->. . . . , Besteht aus/Consists of/Compose de/Bestående af/È composto da de 2, 4, 5
2	133700740772	1	CONTROLEVEER,
3	133700740775	1	HEFBOOM,
4	133700740773	1	OOGBOUT,
5	133700740774	1	OPVULPIJP,
6	133700740776	1	OOGBOUT,
10	1-32-274-025	1	LINK, UPPER, , ..... ---->, Besteht aus/Consists of/Compose de/Bestående af/È composto da de 11 - 15 - Ersetzt/Replaces/Remplace/Udsiftet/Sostituisce 133700740211
11	1-32-574-203	1	SHACKLE, SPRING,
12	1-32-574-204	1	VEER,
13	1-32-174-039	1	OOGBOUT,
14	133700740774	1	OPVULPIJP,
15	1-32-174-038	1	OOGBOUT,

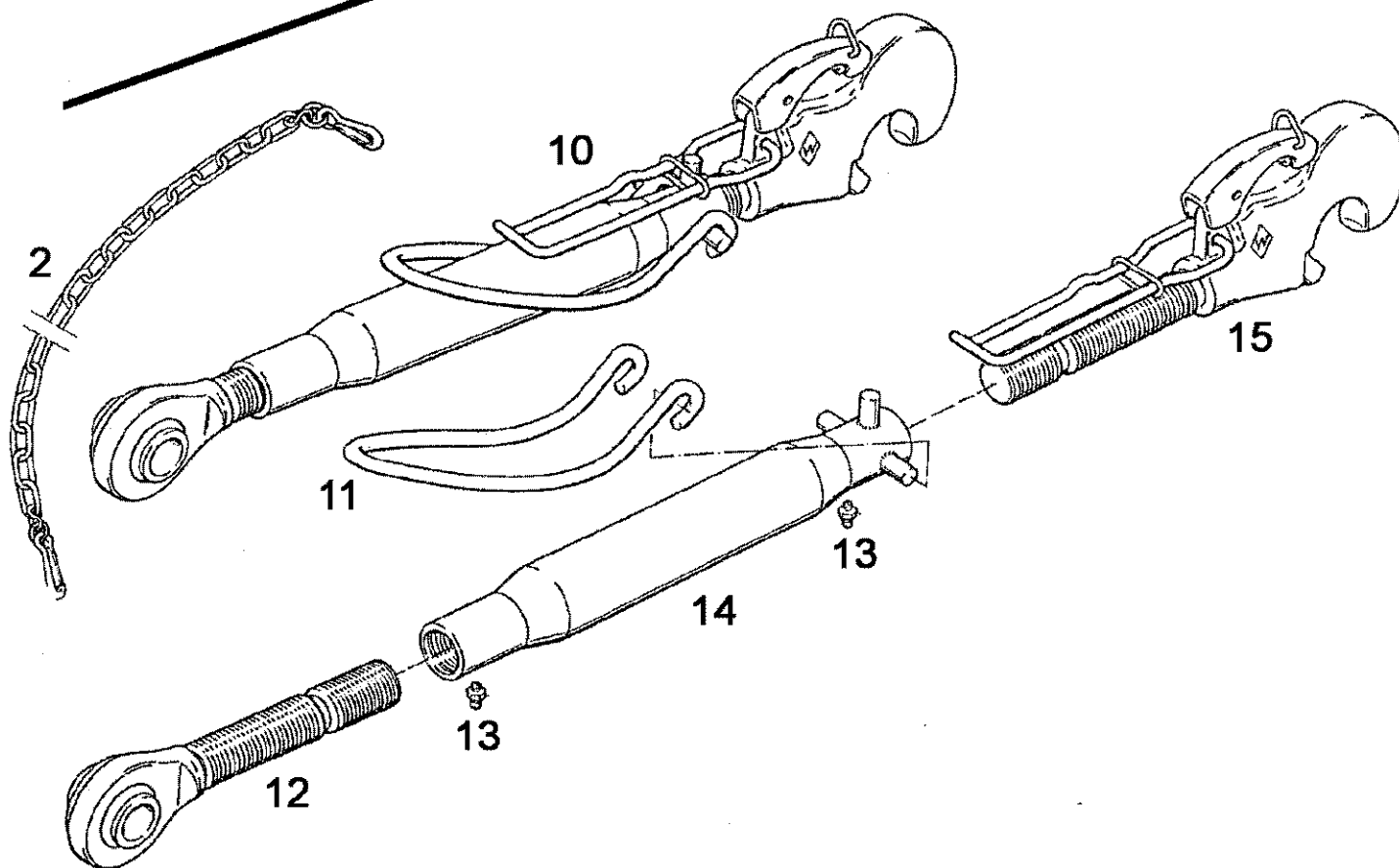
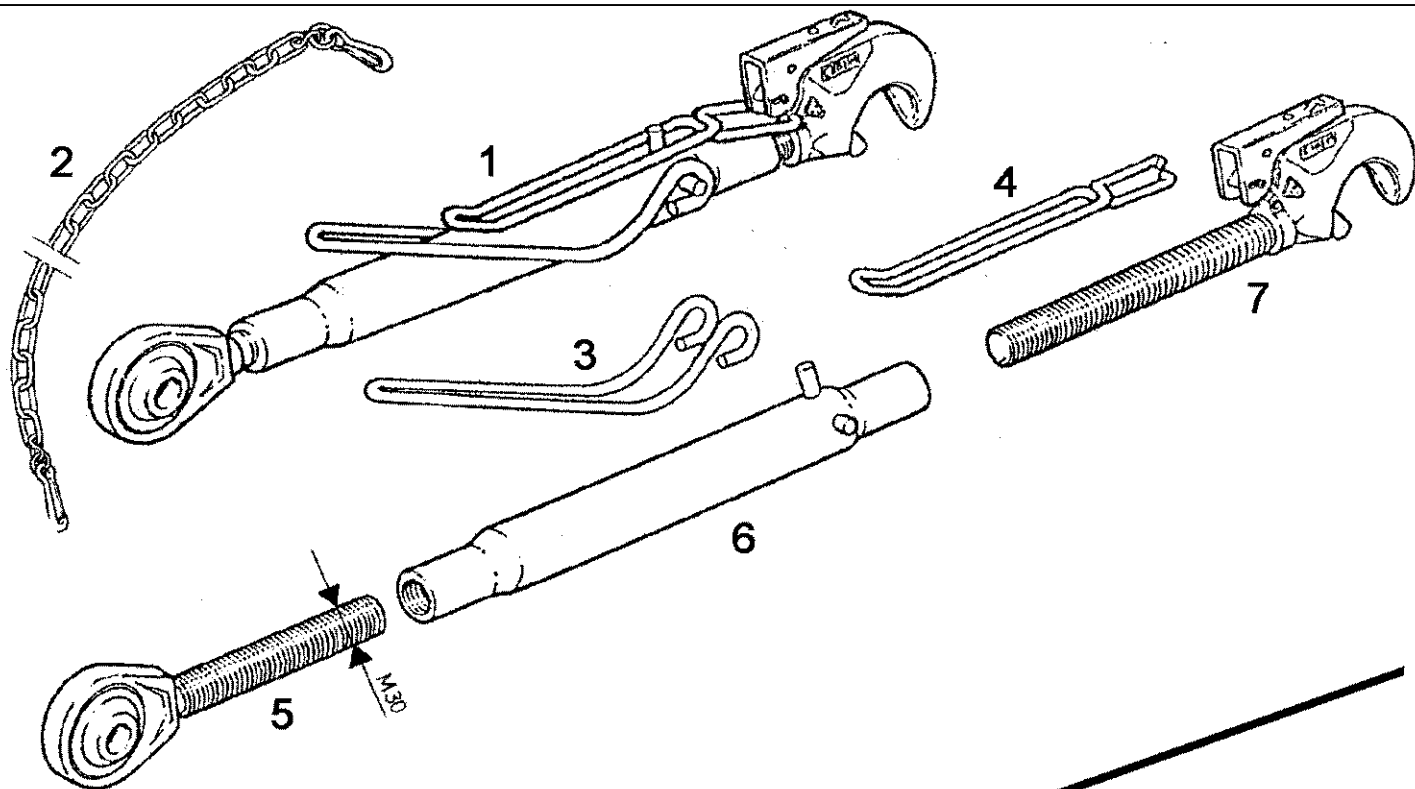


Ref	Onderdeelnummer	Kwt	Beschrijving
1	133700740205	1	TRESTLE, , ----> ....., a=75mm, Besteht aus/Consists of/Compose de/Bestående af/È composto da 2 - 12
2	190003963106	2	SMEERNIPPEL, M6 x 1, , AM6
3	133700740738	1	KOPPELING,
4	133700740723	1	PIN, LARGE,
5	133700740722	1	PIN, LARGE,
6	133700740724	1	CRADLE,
7	133700740725	1	BUISJE,
8	133700740726	1	TURNBUCKLE,
9	133700740730	1	GAFFEL,
10	133700740777	1	PIN, LARGE,
11	133700740718	1	PLAAT, GROOT, , Ø=25,5mm
12	133700740778	1	PIN, LARGE,
20	133700740290	1	ROD, LIFTING, , ----> ....., a=105mm, Besteht aus/Consists of/Compose de/Bestående af/È composto da 2, 4 - 8, 10 - 12, 21, 22, 24
20	133700740295	1	ROD, LIFTING, , ..... ---->, a=105mm, Ersetzt/Replaces/Remplace/Udskiftet/Sostituisce 133700740201, 133700740205, 133700740290 - Besteht aus/Consists of/Compose de/Bestående af/È composto da 2, 4 - 8, 21 - 25
21	133700740289	1	KOPPELING,
22	131700740745	1	CRADLE,
23	1-32-174-026	1	PIN, CROSS,
24	131700740742	1	PIN, LINCH,
25	1-32-174-027	1	PLAAT,
30	1-32-274-010	1	ROD, LIFTING, , Besteht aus/Consists of/Compose de/Bestående af/È composto da 4 - 8, 21, 31 - 33
31	131700740735	2	SMEERNIPPEL,
32	1-32-274-009	1	RAM FORK,
33	1-32-274-008	2	PLAAT,

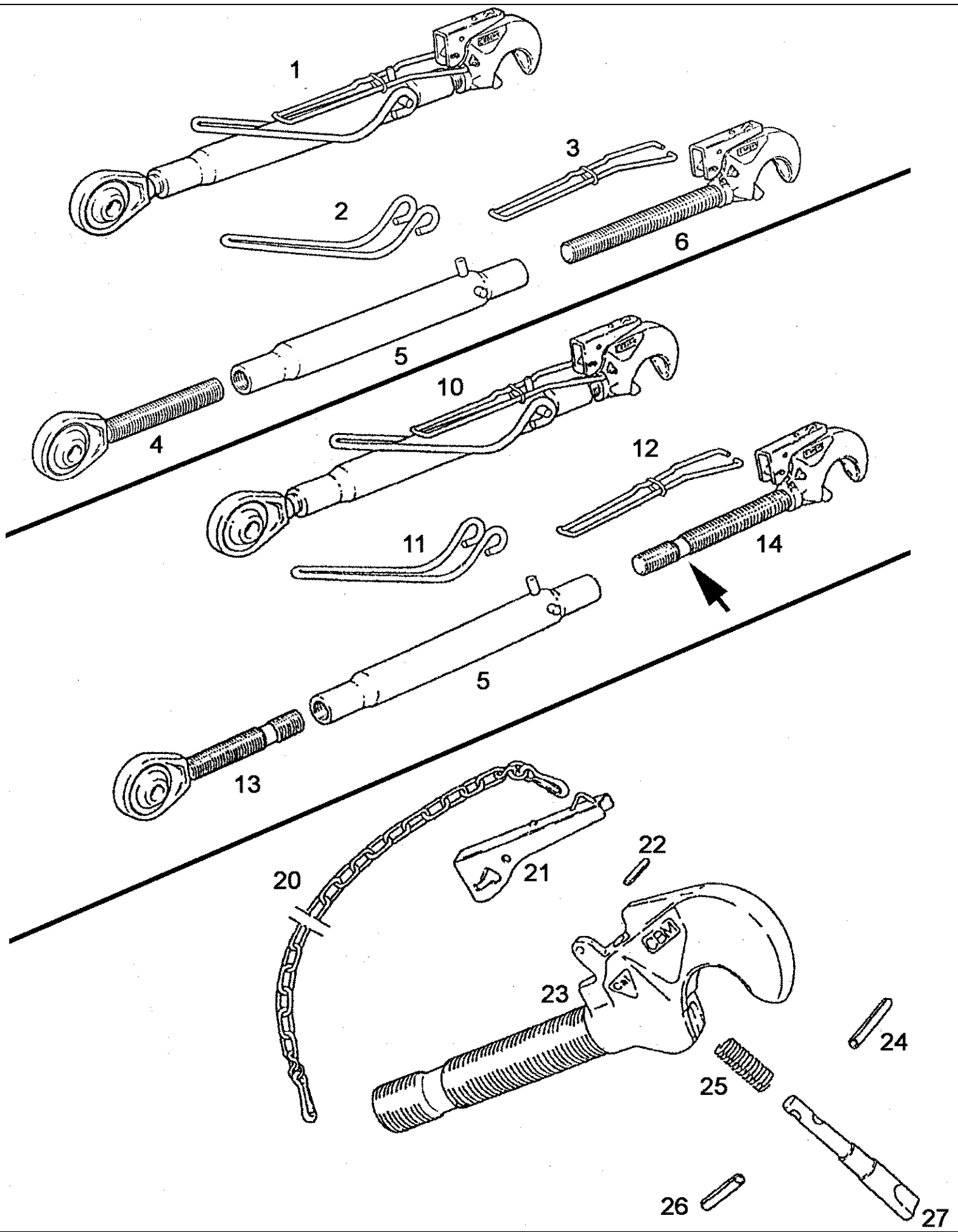




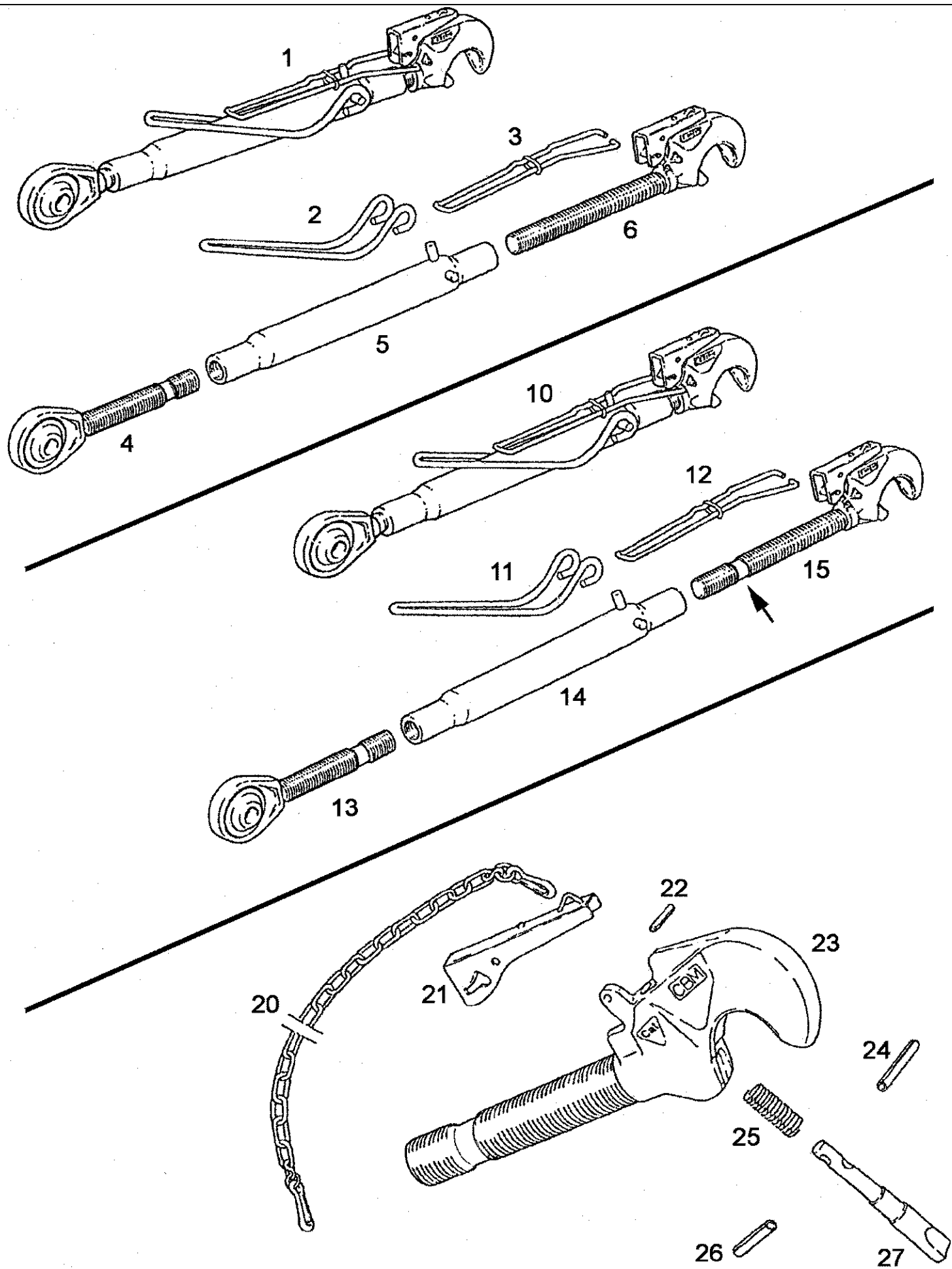
Ref	Onderdeelnummer	Kwt	Beschrijving
1	133700740216	1	STEM, , Besteht aus/Consists of/Compose de/Bestående af/È composto da 4, 5, 7, 8, 10, 12, 14 - 16, 18
2	133700740280	1	STEM, , Besteht aus/Consists of/Compose de/Bestående af/È composto da 4, 6, 7, 9, 11, 12, 14 - 16, 18
3	133700740315	1	STAY, , Ersetzt/Replaces/Remplace/Udskiftet/Sostituisce 133700740216, 133700740280 - Besteht aus/Consists of/Compose de/Bestående af/È composto da 4, 6, 9, 11, 13 - 15, 17, 18
4	131700740708	2	MOER,
5	131700740710	1	CRADLE,
6	131700740739	2	CRADLE,
7	131700740709	2	SPLITPEN,
8	131700740711	2	PIN, LARGE,
9	131700740741	2	PIN, LARGE,
10	131700740712	2	AS,
11	131700740740	2	STANG,
12	131700740716	2	BUISJE,
13	133700740792	2	SPANNER,
14	190003963106	2	SMEERNIPPEL, M6 x 1, , AM6
15	131700740719	2	OOGBOUT,
16	131700740713	2	PIN, LINCH,
17	133700740793	2	PIN, LINCH,
18	131700740707	2	SPLITPEN,



Ref	Onderdeelnummer	Kwt	Beschrijving
1	135700740116	1	LINK, UPPER, , CBM, Besteht aus/Consists of/Compose de/Bestående af/È composto da 2 - 7 - Wahlweise/Optional/En option/Efter valg/A scelta - Siehe Seite(n) vorne - See page(s) before/Voir page(s) avant(es)/Se side(r) forrest/Vedere pagin(a/e) precedent(e/i)
2	135700740727	1	HEFBOOM,
3	133700740772	1	CONTROLEVEER,
4	133700740775	1	HEFBOOM,
5	133700740773	1	OOGBOUT,
6	133700740774	1	OPVULPIJP,
7	135700740711	1	TRUSS ROD, , Siehe nächste Seite(n)/See next page(s)/Voir page(s) suivante(s)/Se næste side(r)/Vedere pagin(a/e) sequent(e/i)
10	135700740117	1	LINK, UPPER, , WALTERSCHEID, Besteht aus/Consists of/Compose de/Bestående af/È composto da 2, 11 - 15 - Wahlweise/Optional/En option - Siehe Seite(n) vorne - See page(s) before/Voir page(s) avant(es)/Se side(r) forrest/Vedere pagin(a/e) precedent(e/i)
11	135700740709	1	SHACKLE, SPRING,
12	135700740710	1	KOGELWRIGHT,
13	135700740708	2	SMEERNIPPEL,
14	135700740707	1	OPVULPIJP,
15	137700740105	1	HAAK, , Siehe nächste Seite(n)/See next page(s)/Voir page(s) suivante(s)/Se næste side(r)/Vedere pagin(a/e) sequent(e/i)

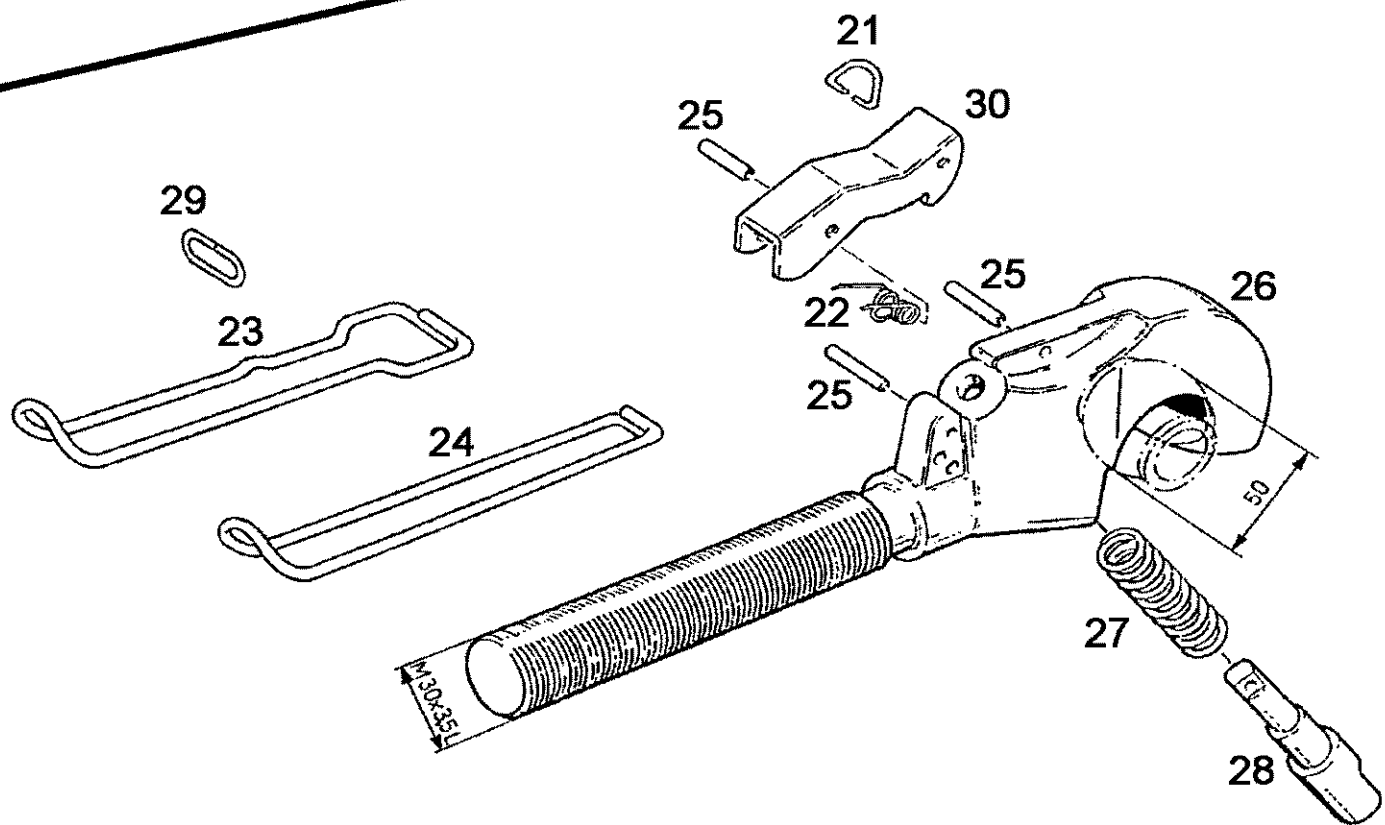
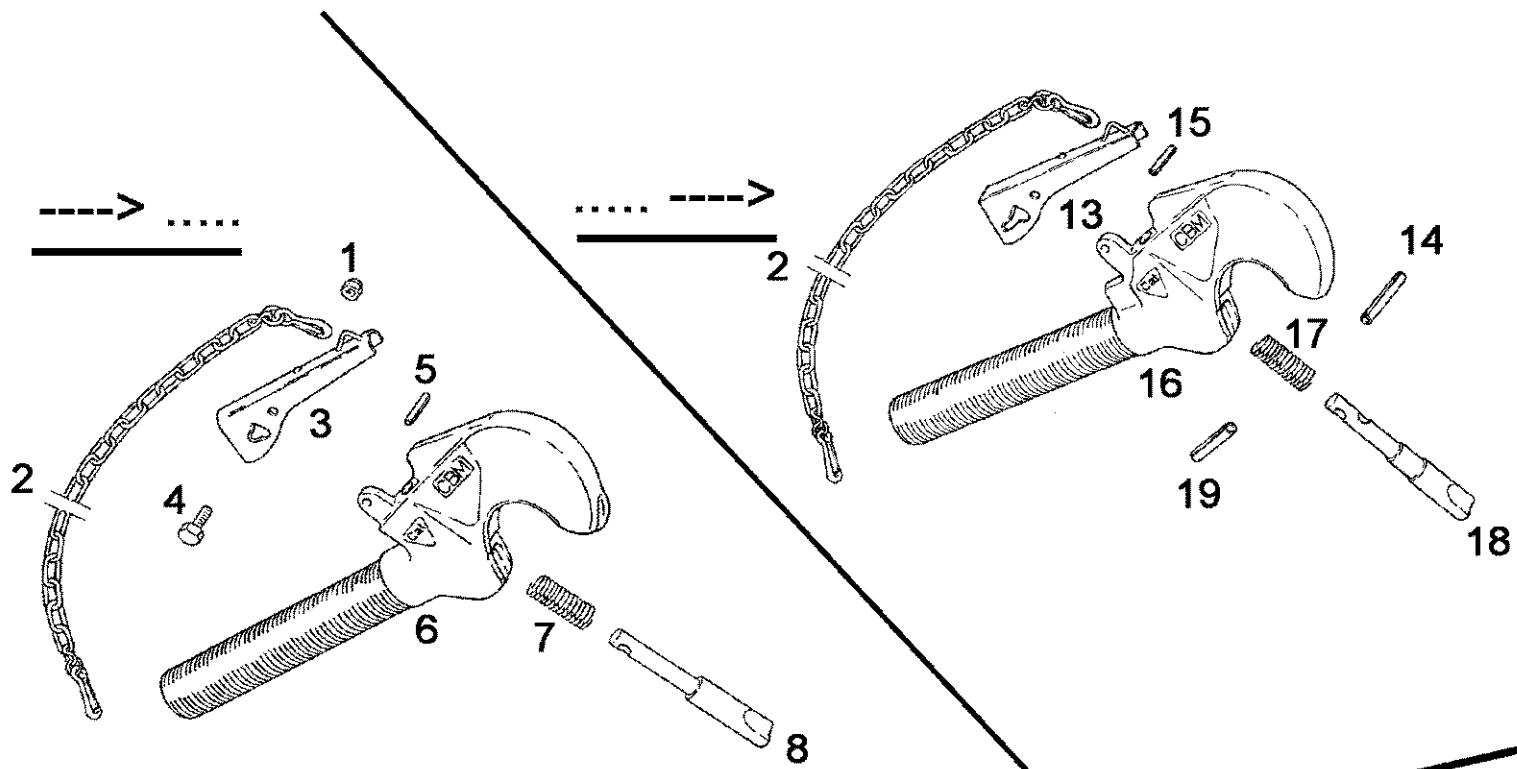


Ref	Onderdeelnummer	Kwt	Beschrijving
1	135700740115	1	LINK, UPPER, , CBM, MHR / ----> ..... / Besteht aus/Consists of/Compose de/Bestående af/È composto da 2 - 6, 20 - Siehe Seite(n) vorne/See page(s) before/Voir page(s) avant(es)/Se side(r) forrest/Vedere pagin(a/e) precedent(e/i)
2	1397740193	1	VEER,
3	155700740702	1	VEER,
4	133700740773	1	OOGBOUT,
5	133700740774	1	OPVULPIJP,
6	135700740711	1	TRUSS ROD, , Besteht aus/Consists of/Compose de/Bestående af/È composto da 20 - 27
10	1-32-274-030	1	LINK, UPPER, , CBM, MHR/ ..... ---->/Besteht aus/Consists of/Compose de/Bestående af/È composto da 5, 11 - 14, 20-Ersetzt/Replaces/Remplace/Udskiftet/Sosti 135700740115-Siehe Seite(n) vorne/See page(s) before/Voir page(s) avant(es)/Se side(r) forrest/Vedere pagin(a/e)
11	1-32-574-203	1	SHACKLE, SPRING,
12	1-32-574-204	1	VEER,
13	1-32-174-039	1	OOGBOUT,
14	1-32-274-029	1	HAAK, , Besteht aus/Consists of/Compose de/Bestående af/È composto da 20 - 27
20	135700740727	1	HEFBOOM,
21	135700740723	1	HEFBOOM,
22	135700740726	1	SPLITPEN/VEILIGHEIDSPEN,
23	NSS	1	NIET ALLEEN VERKRIJGBAAR,
24	135700740725	1	SPLITPEN/VEILIGHEIDSPEN,
25	135700740722	1	VEER,
26	135700740724	1	SPLITPEN/VEILIGHEIDSPEN,
27	135700740721	1	PIN, LARGE,



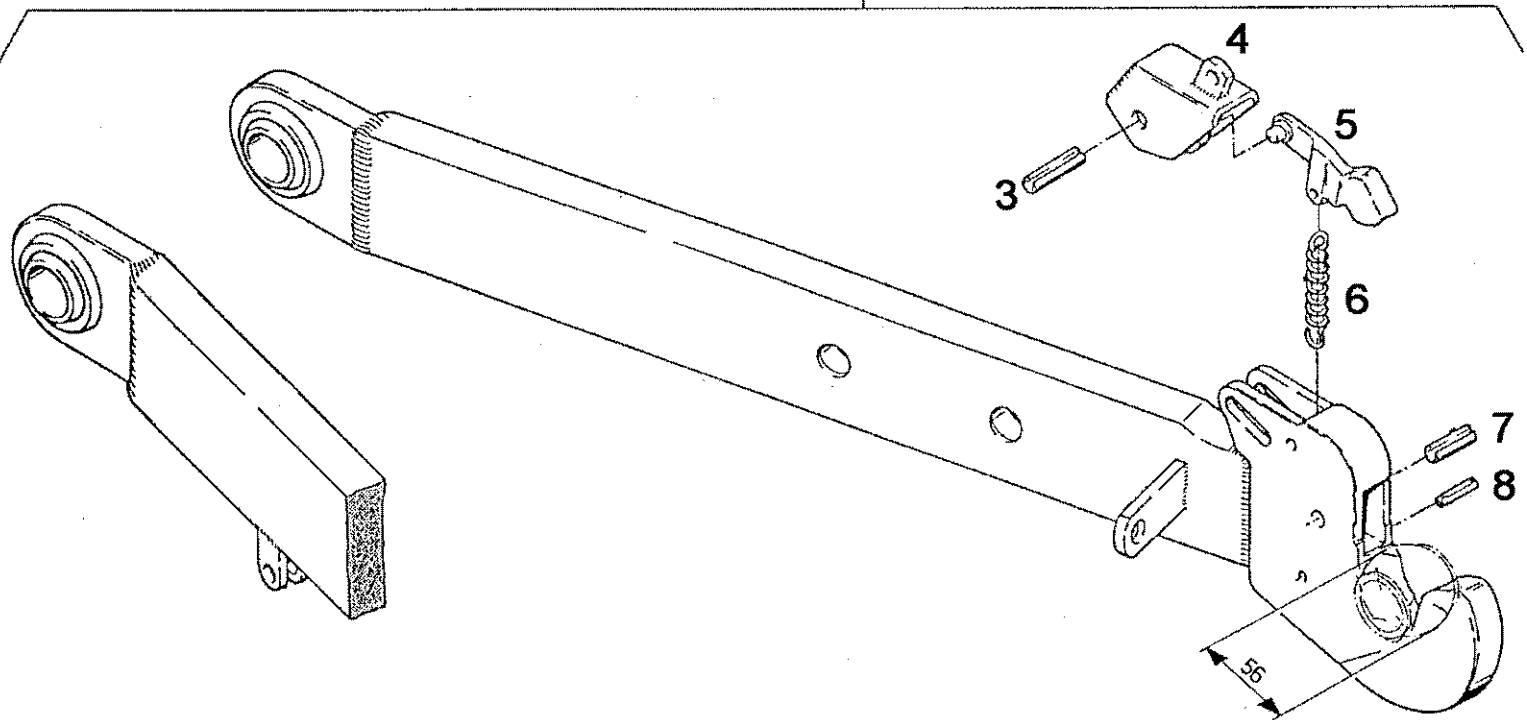
Ref	Onderdeelnummer	Kwt	Beschrijving
1	155700740066	1	LINK, UPPER, , ----> ..... / CBM / EHR - Besteht aus/Consists of/Compose de/Bestående af/È composto da 2 - 6 - Siehe Seite(n) vorne/See page(s) before/Voir page(s) avant(es)/Se side(r) forrest/Vedere pagin(a/e) precedent(e/i)
2	133700740772	1	CONTROLEVEER,
3	155700740702	1	VEER,
4	283384A1	1	LINK, , Ersetzt/Replaces/Remplace/Udskiftet/Sostituisce 155700740701
5	133700740774	1	OPVULPIJP,
6	135700740711	1	TRUSS ROD, , Besteht aus/Consists of/Compose de/Bestående af/È composto da 20 - 27
10	1-32-374-020	1	LINK, UPPER, , .....---->/CBM/EHR-Besteht aus/Consists of/Compose de/Bestående af/È composto da 11 - 15-Ersetzt/Replaces/Remplace 155700740066, 155700740067-Siehe Seite(n) vorne/See page(s) before/Voir page(s) avant(es)/Se side(r) forrest/Vedere pagin(a/e) precedent
11	1-32-574-203	1	SHACKLE, SPRING,
12	1-32-574-204	1	VEER,
13	1-32-174-039	1	OOGBOUW,
14	133700740774	1	OPVULPIJP,
15	1-32-274-029	1	HAAK, , Besteht aus/Consists of/Compose de/Bestående af/È composto da 20 - 27
20	135700740727	1	HEFBOOM,
21	135700740723	1	HEFBOOM,
22	135700740726	1	SPLITPEN/VEILIGHEIDSPEN,
23	NSS	1	NIET ALLEEN VERKRIJGBAAR,
24	135700740725	1	SPLITPEN/VEILIGHEIDSPEN,
26	135700740724	1	SPLITPEN/VEILIGHEIDSPEN,
25	135700740722	1	VEER,
27	135700740721	1	PIN, LARGE,



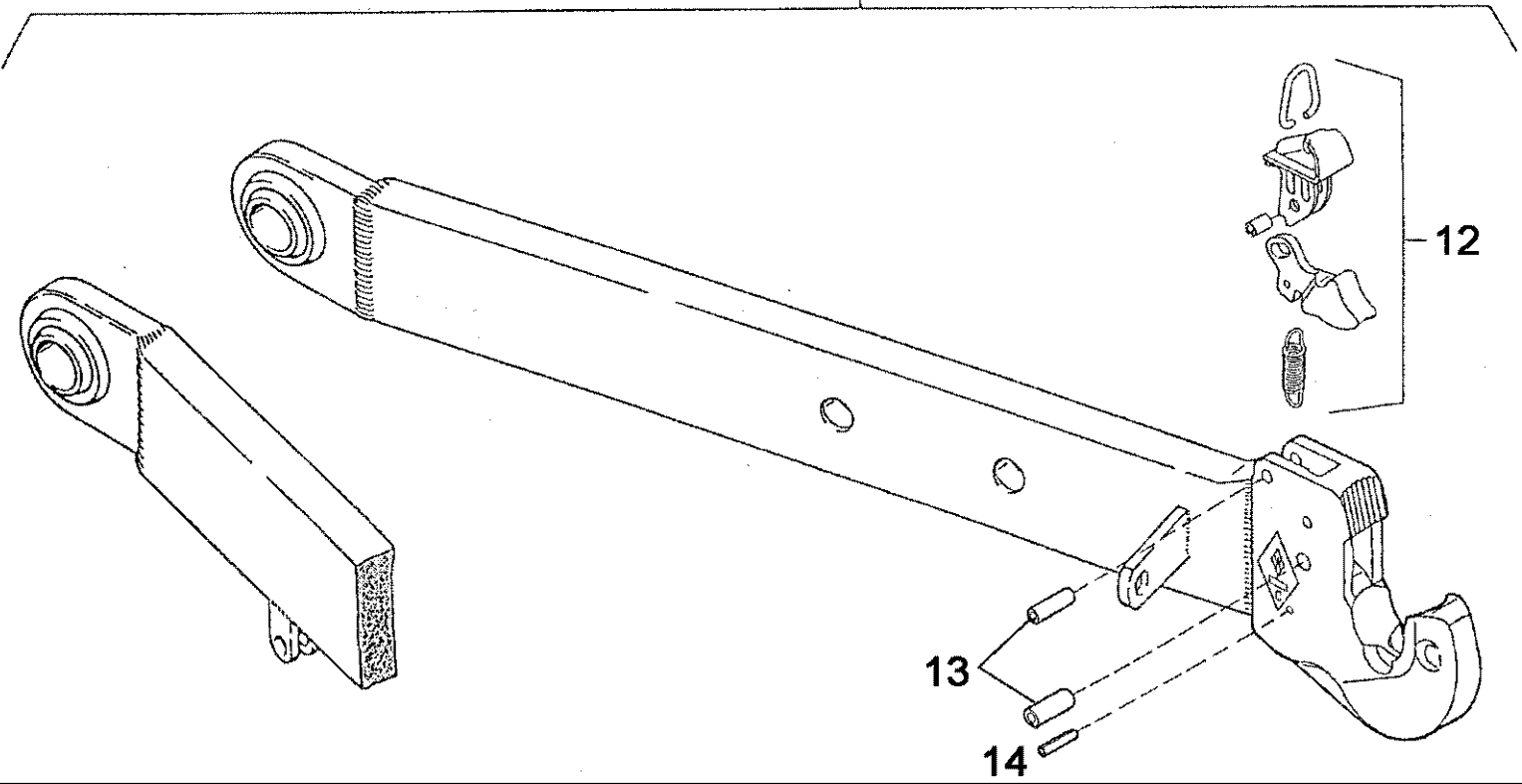


Ref	Onderdeelnummer	Kwt	Beschrijving
-	135700740119	1	TRUSS ROD, , CBM, ----> ..... - Wahlweise/Optional/En option/Efter valg/A scelta - Besteht aus/Consists of/Compose de/Bestående af/È composto da 1- 8
1	190003888608	1	MOER, , VM6-8-A2C
2	135700740727	1	HEFBOOM,
3	131700740734	1	HEFBOOM,
4	131700740728	1	SCHROEF,
5	131700740730	1	PIN, LARGE,
6	NSS	1	NIET ALLEEN VERKRIJGBAAR,
7	135700740728	1	VEER,
8	131700740732	1	PIN, LARGE,
-	135700740711	1	TRUSS ROD, , CBM, ..... ----> - Besteht aus/Consists of/Compose de/Bestående af/È composto da 2, 13 - 19 - Ersetzt/Replaces/Remplace/Udskiftet/Sostituisce 135700740119, 137700740105
13	135700740723	1	HEFBOOM,
14	135700740725	1	SPLITPEN/VEILIGHEIDSPEN,
15	135700740726	1	SPLITPEN/VEILIGHEIDSPEN,
16	NSS	1	NIET ALLEEN VERKRIJGBAAR,
17	135700740722	1	VEER,
18	135700740721	1	PIN, LARGE,
19	135700740724	1	SPLITPEN/VEILIGHEIDSPEN,
-	137700740105	1	HAAK, , WALTERSCHEID - Wahlweise/Optional/En option/Efter valg/A scelta - Besteht aus/Consists of/Compose de/Bestående af/È composto da 21 - 29
21	137700740705	1	BOW,
22	137700740706	1	VEER,
-	137700740707	1	VEER,
23	1397740718	1	VEILIGHEIDSNUT, , ..... ---->
24	1390740035	1	VEER, , ----> .....
25	190003909628	1	SPANSTIFT, , 6x28
26	NSS	1	NIET ALLEEN VERKRIJGBAAR,
27	137700740704	1	SPRING, COMPRESSION,
28	137700740702	1	PIN, LARGE,
29	1397740719	1	LINK, OFFSET, , ..... ---->
30	137700740703	1	HEFBOOM,

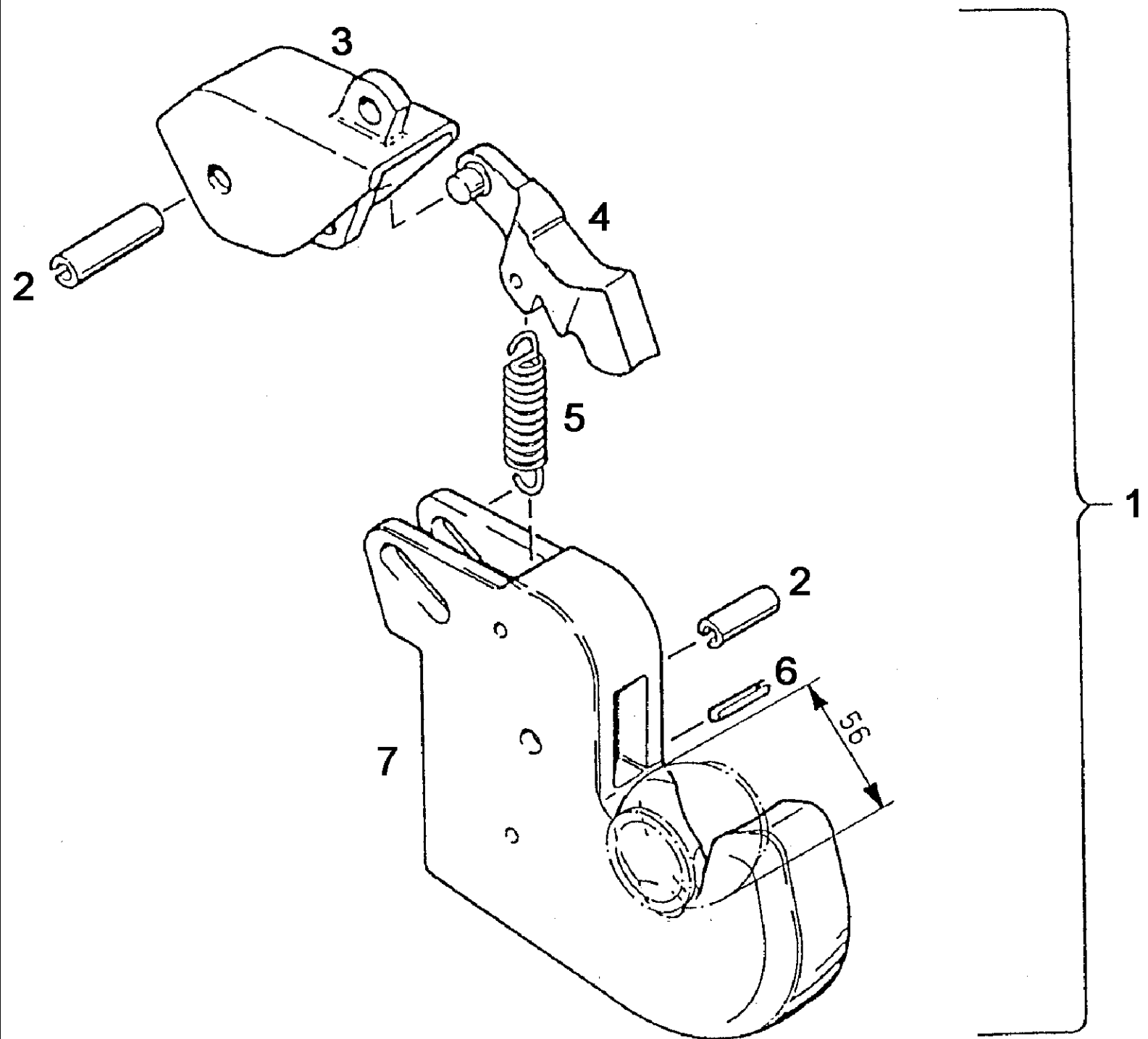
1/2



10/11



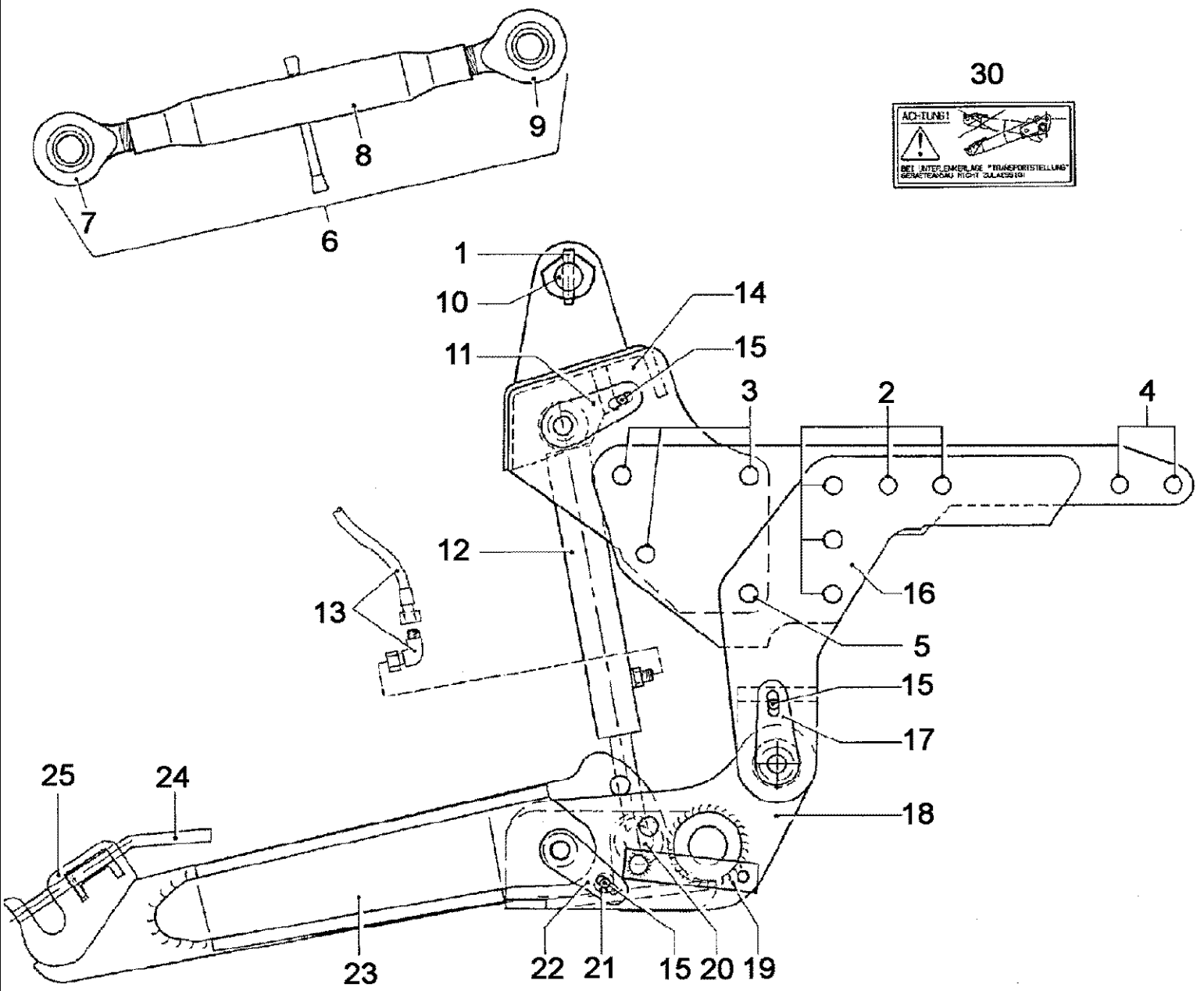
Ref	Onderdeelnummer	Kwt	Beschrijving
1	133700740224	1	LINK, UPPER, , Links/Left/Gauche/Venstre/Sinistro - Einschließlich/Includes/Avec/Inklusive/Compreso 3 - 8 / ----> .....
2	133700740225	1	LINK, UPPER, , Rechts/Right/Droite/Højre/Destra - Einschließlich/Includes/Avec/Inklusive/Compreso 3 - 8 / ----> .....
3	137700740722	1	SPLITPEN/VEILIGHEIDSPEN,
4	137700740719	1	HEFBOOM,
5	137700740718	1	LATCH ASSY.,
6	137700740710	1	SPRING, TENSION,
7	137700740720	1	SPLITPEN/VEILIGHEIDSPEN,
8	137700740721	1	SPANSTIFT,
10	1-32-274-035	1	LINK, LOWER, , Kat./Cat./Cat. 2 - Rechts/Right/Droite/Højre/Destra - Einschließlich/Includes/Avec/Inklusive/Compreso 12 - 14 / ..... ----> / Ersetzt/Replaces/Remplace/Udskiftet/Sostituisce 133700740225, 133700740300
11	1-32-274-036	1	LINK, LOWER, , Kat./Cat./Cat. 2 - Links/Left/Gauche/Venstre/Sinistro - Einschließlich/Includes/Avec/Inklusive/Compreso 12 - 14 / ..... ----> / Ersetzt/Replaces/Remplace/Udskiftet/Sostituisce 133700740224, 133700740301
12	133700740795	1	PAWL,
13	190003909682	2	SPANSTIFT, , 10X30
14	190003909628	1	SPANSTIFT, , 6x28



955 STEYR TRACTOR (2/92-6/97) - Hydraulisch Systeem

08-46(01) CATCH HOOK FOR LOWER SUSPENSION ARM

Ref	Onderdeelnummer	Kwt	Beschrijving
1	137700740119	1	HAAK, , Besteht aus/Consists of/Compose de/Bestående af/È composto da 2 - 8
2	190003909669	1	SPANSTIFT, , 13X55
3	137700740713	1	SCHOEP,
4	137700740708	1	PAL,
5	137700740710	1	SPRING, TENSION,
6	190003909628	1	SPANSTIFT, , 6x28
7	NSS	1	NIET ALLEEN VERKRIJGBAAR,



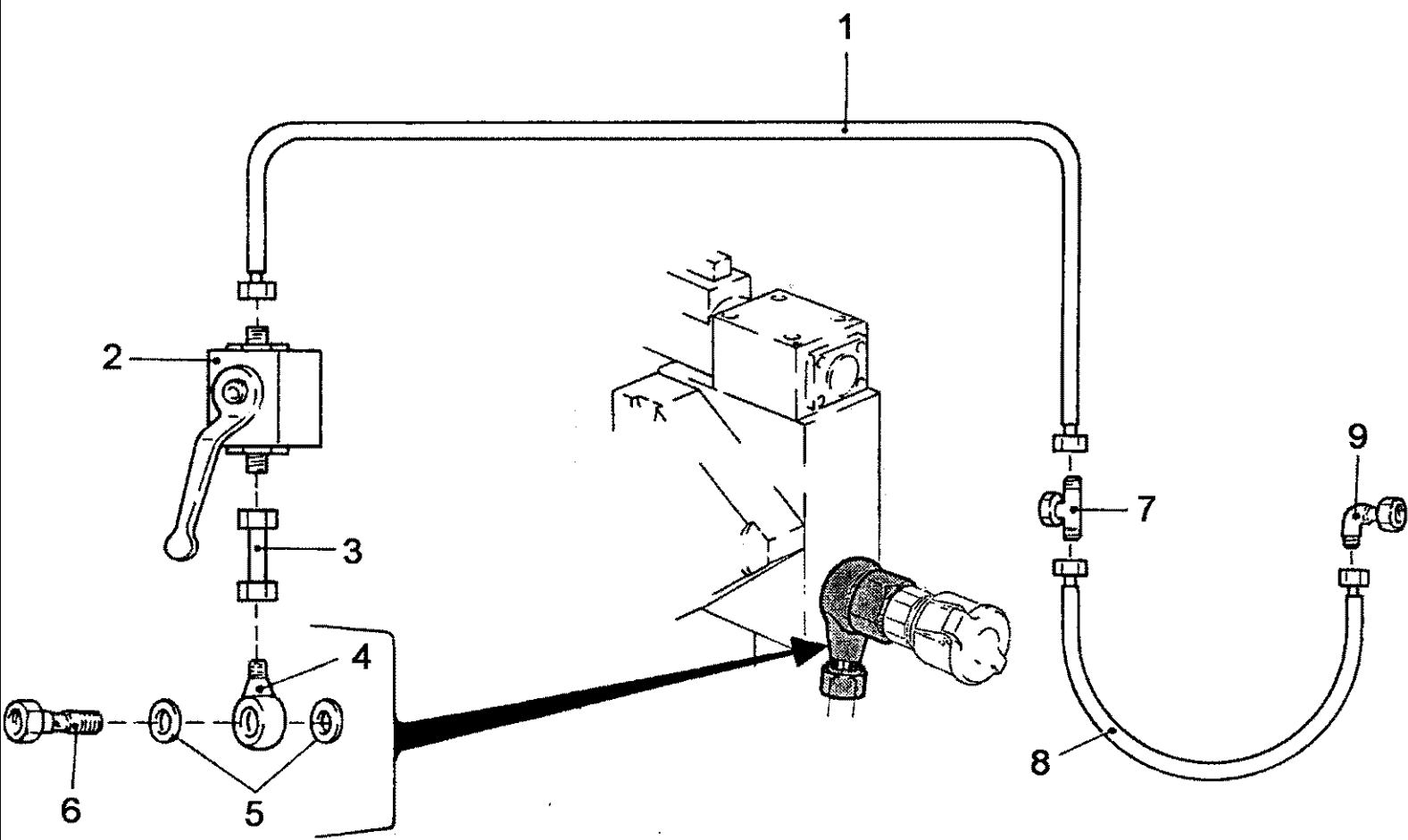
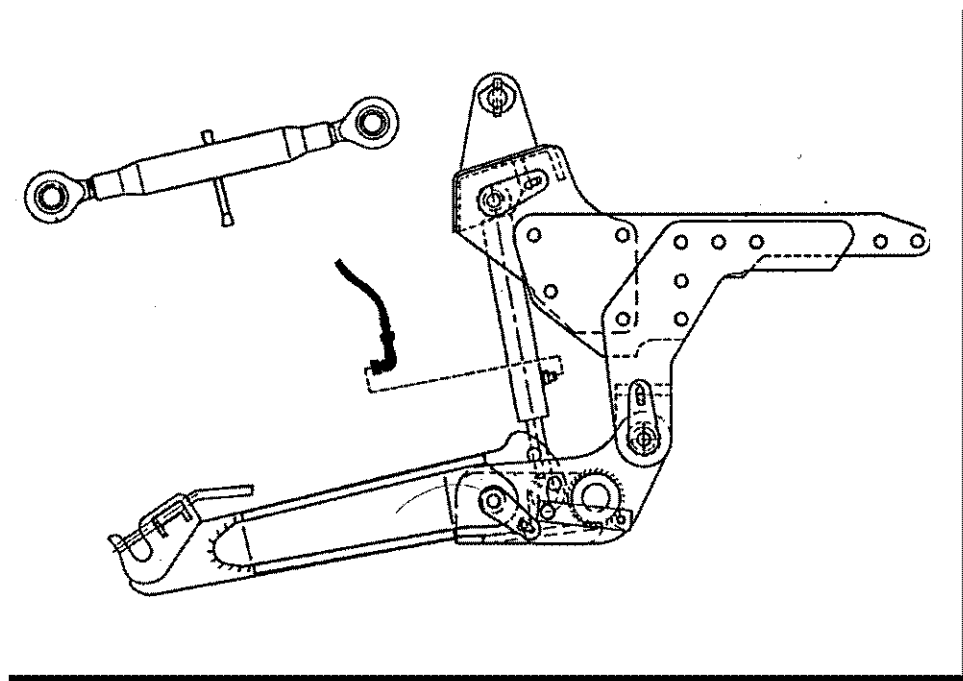
Ref	Onderdeelnummer	Kwt	Beschrijving
	1-35-195-008	1	HEFINRICHTING, HYDRAULISC, , Besteht aus/Consists of/Compose de/Bestående af/È composto da 1 - 25
1	155700930711	1	PIN, LINCH, , Ø 10,5 mm
2	190003800838	10	SCHROEF, , M16x65-8.8-A3C
-	832-46416	X	NUT, LOCK, M16 x 2, CI 8, , VM16-8-A3C
3	190003802841	6	SCHROEF, , M16x50-8.8-A3C
4	190003802836	4	SCHROEF, , M16x45-8.8-A3C
5	190003802861	2	SCHROEF, , M16x70-8.8-A3C
6	1-35-195-131	1	LINK, UPPER, , Ersetzt/Replaces/Remplace/Udskiftet/Sostituisce 1-35-195-103, 1-35-195-127 - Siehe nächste Seite(n)/See next page(s)/Voir page(s) suivante(s)/Se næste side(r)/Vedere pagin(a/e) sequent(e/i)
7	NSS	1	NIET ALLEEN VERKRIJGBAAR, , SPINDEL/SPINDLE/FUSEE/SPINDEL/MANDRINO - Linksgewinde/Left-hand thread/Filet à gauche/Venstregevind/Filettatura sinistrorsa
8	NSS	1	NIET ALLEEN VERKRIJGBAAR, , ROHR/PIPE/TUYAU/RØR/TUBO
-	NSS	2	NIET ALLEEN VERKRIJGBAAR, , KLAPPSTECKER/PIN, LINCH/GOUPILLE D'ARRET/KLAPSTIK/SPINA RIBALTABILE - Ø 4,7 mm
-	190003909631	2	SPANSTIFT, , 6x30
-	190003909655	2	SPANSTIFT, , 8x50
-	190003931182	14	BORGRING, , A16-FST-A3C
9	NSS	1	NIET ALLEEN VERKRIJGBAAR, , SPINDEL/SPINDLE/FUSEE/SPINDEL/MANDRINO - Rechtsgewinde/Right-hand thread/Filet à droite/Højregevind/Filettatura destrorsa
10	NSS	1	NIET ALLEEN VERKRIJGBAAR, , BOLZEN/BOLT/BOULON/BOLTE/PERNI
11	NSS	2	NIET ALLEEN VERKRIJGBAAR, , BOLZEN/BOLT/BOULON/BOLTE/PERNI
12	1-35-795-031	2	CYLINDER, , Siehe nächste Seite(n)/See next page(s)/Voir page(s) suivante(s)/Se næste side(r)/Vedere pagin(a/e) sequent(e/i)
13	NSS	1	NIET ALLEEN VERKRIJGBAAR, , ANSCHLUSS/COUPLING/JUNCTION/TILSLUTNING/COLLEGAMENTO
14	NSS	1	NIET ALLEEN VERKRIJGBAAR, , QUERTRÄGER/CROSSBAR/TRVERSE/TVÆRDRAGER/TRAVERSA
15	NSS	6	NIET ALLEEN VERKRIJGBAAR, , SCHRAUBE/SCREW/VIS/SKRUE/VITE
16	NSS	2	NIET ALLEEN VERKRIJGBAAR, , KONSOLE/CONSOLE/CONSOLE/KONSOL/CONSOLLE
17	NSS	2	NIET ALLEEN VERKRIJGBAAR, , BOLZEN/BOLT/BOULON/BOLTE/PERNI
18	NSS	1/1	NIET ALLEEN VERKRIJGBAAR, , AUFNEHMER/GATHERER/RAMASSEUR/PICKUP/RILEVATORI
19	NSS	2	NIET ALLEEN VERKRIJGBAAR, , BOLZEN/BOLT/BOULON/BOLTE/PERNI
20	NSS	2	NIET ALLEEN VERKRIJGBAAR, , BOLZEN/BOLT/BOULON/BOLTE/PERNI
21	NSS	2	NIET ALLEEN VERKRIJGBAAR, , DISTANZSTÜCK/SPACER/ENTRETOISE/MELLEMSTYKKE/DISTANZIALE
22	NSS	2	NIET ALLEEN VERKRIJGBAAR, , BOLZEN/BOLT/BOULON/BOLTE/PERNI
23	NSS	1/1	NIET ALLEEN VERKRIJGBAAR, , UNTERLENKER/LINK, LOWER/BRAS DE RELEVAGE/STYR NEDENFOR/PUNTONE INFERIORE
24	NSS	1	NIET ALLEEN VERKRIJGBAAR, , BOLZEN/BOLT/BOULON/BOLTE/PERNI



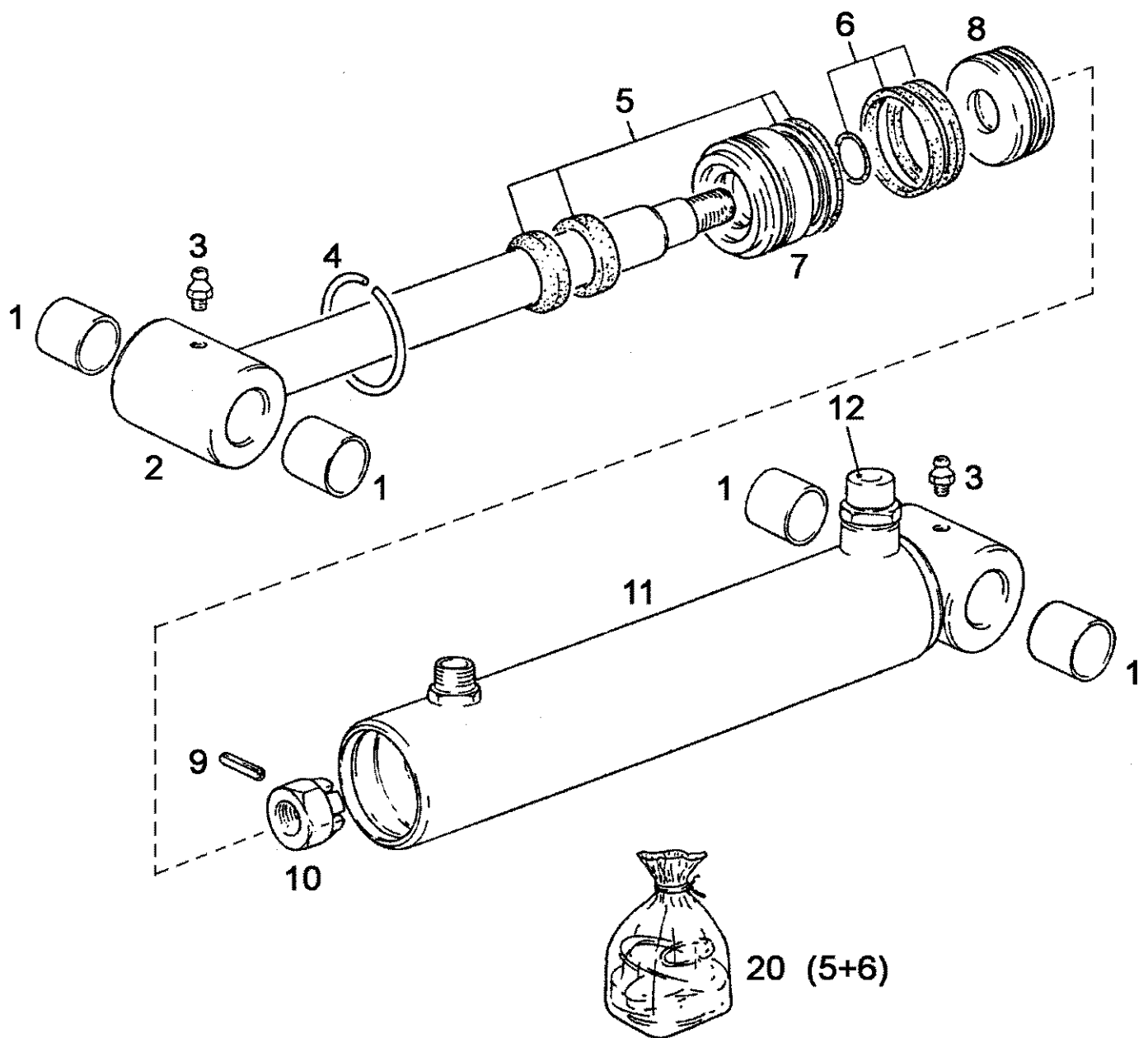
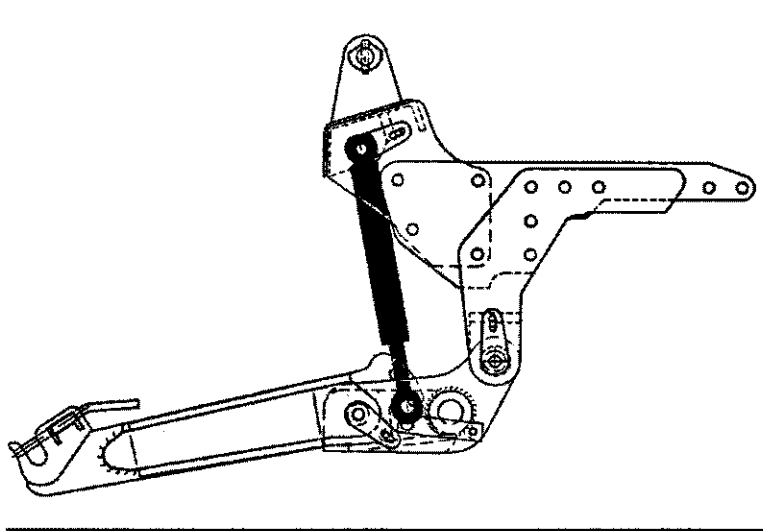
955 STEYR TRACTOR (2/92-6/97) - Hydraulisch Systeem

08-47(01) FRONT POWER LIFT STANDARD

Ref	Onderdeelnummer	Kwt	Beschrijving
25	NSS	1/1	NIET ALLEEN VERKRIJGBAAR, , GABEL/FORK/FOURCHE/GAFFEL/FORCELLA
30	1-35-195-125	1	DECAL, , ..... ---->

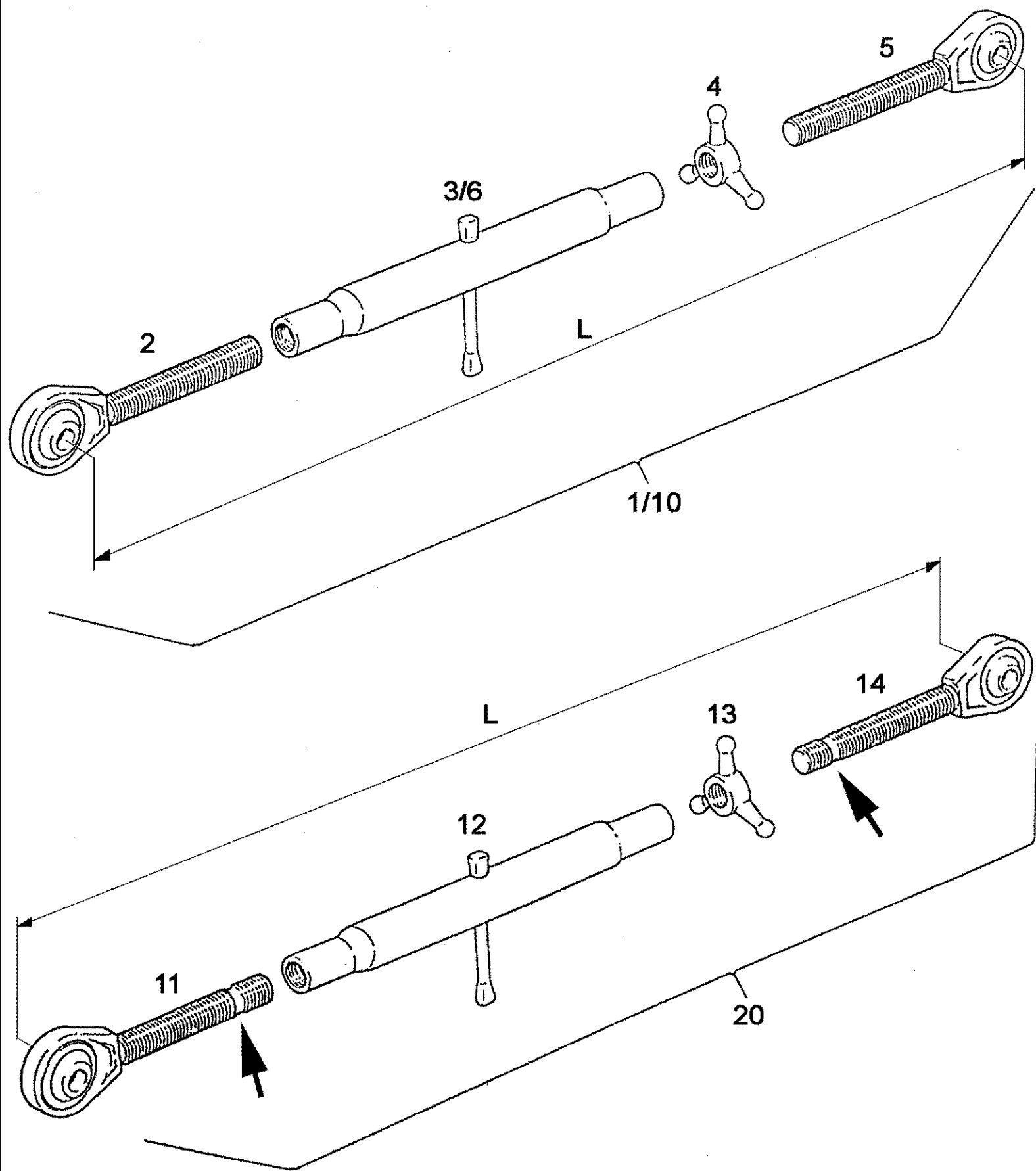


Ref	Onderdeelnummer	Kwt	Beschrijving
1	NSS	1	NIET ALLEEN VERKRIJGBAAR, , HYDRAULIKSCHLAUCH/HYDRAULIC HOSE/TUYAU HYDRAULIQUE/HYDRAULICSLANGE/TUBO FLESSIBILE IDRAULICO
2	NSS	1	NIET ALLEEN VERKRIJGBAAR, , ABSPERRHAHN/COCK/ROBINET/STOPHANE/RUBINETTO DI CHIUSURA
3	NSS	1	NIET ALLEEN VERKRIJGBAAR, , HYDRAULIKLEITUNG/HYDRAULIC LINE/CONDUITE HYDRAULIQUE/HYDRAULIKLEDNING/CONDOTTO IDRAULICO
4	NSS	1	NIET ALLEEN VERKRIJGBAAR, , HOHLSCHRAUBE/BOLT, BANJO/RACCORD BANJO/HULSKRUE/VITE CAVA
5	NSS	2	NIET ALLEEN VERKRIJGBAAR, , RING/RING/ANNEAU/RING/ANELLO
6	NSS	1	NIET ALLEEN VERKRIJGBAAR, , HOHLSCHRAUBE/BOLT, BANJO/RACCORD BANJO/HULSKRUE/VITE CAVA
7	NSS	1	NIET ALLEEN VERKRIJGBAAR, , T-STÜCK/T-PIECE/T-PIÉCE/T-STYKKE/RACCORDO A T
8	NSS	1	NIET ALLEEN VERKRIJGBAAR, , HYDRAULIKSCHLAUCH/HYDRAULIC HOSE/TUYAU HYDRAULIQUE/HYDRAULICSLANGE/TUBO FLESSIBILE IDRAULICO
9	NSS	1	NIET ALLEEN VERKRIJGBAAR, , L-STÜCK/L-PIECE/L-PIÉCE/L-STYKKE/ELLEMENTO A L



## 08-49(01) CYLINDRE DISASSEMBLED

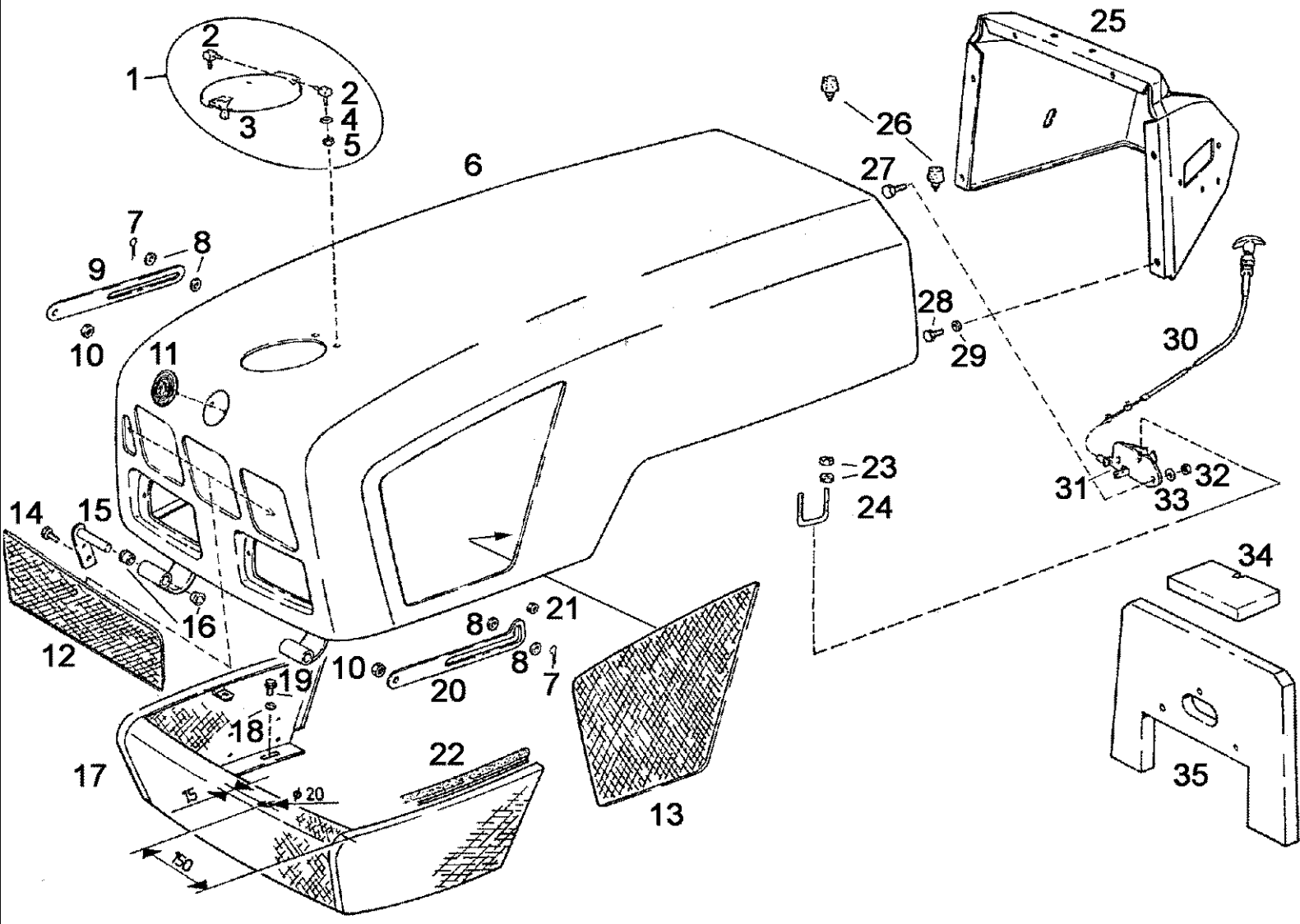
Ref	Onderdeelnummer	Kwt	Beschrijving
-	1-35-795-031	1	CYLINDER,
1	NSS	4	NIET ALLEEN VERKRIJGBAAR, , BÜCHSE/BUSH/BOITE/BØSNING/BUSSOLA
2	NSS	1	NIET ALLEEN VERKRIJGBAAR, , KOLBENSTANGE/PISTON ROD/TIGE DE VERIN/STEMPELSTANG/BIELLA
3	190003963106	2	SMEERNIPPEL, M6 x 1, , AM6-A3F
4	NSS	1	NIET ALLEEN VERKRIJGBAAR, , SPRENGRING/LOCK RING/ANNEAU DE RETENUE/SPRÆNGRING/ANELLO ELASTICO
5	NSS	1	NIET ALLEEN VERKRIJGBAAR, , ZYLINDERDICHTSATZ/CYLINDERPACKING/JOINT DE VÈRIN/CYLINDERTÆTNINGSÆT/GUARNIZIONE CILINDRICO
6	NSS	1	NIET ALLEEN VERKRIJGBAAR, , KOLBENDICHTSATZ/PISTONPACKING/JOINT DE PISTON/STEMPELTÆTNINGSÆT/SET GUARNIZIONI PISTONE
7	NSS	1	NIET ALLEEN VERKRIJGBAAR, , DICHTBÜCHSE/SEALING BUSH/DOILLE D'ETANCHEITE/TÆTNINGSBØSNING/CAMICIA DI TENUTA
8	NSS	1	NIET ALLEEN VERKRIJGBAAR, , KOLBEN/PISTON/PISTON/STEMPEL/PISTONE
9	190003909618	1	SPANSTIFT, , 4x28
10	190003872363	1	MOER, , M22x1,5-22H-A-A3C
11	NSS	1	NIET ALLEEN VERKRIJGBAAR, , ZYLINDERROHR/SLEEVE, CYLINDER/TUBE DE VERIN/CYLINDERRØR/TUBO CILINDRICO
12	NSS	1	NIET ALLEEN VERKRIJGBAAR, , BELÜFTUNGSFILTER/BREATHER/FILTRE D'AERATION/LUFTNINGSFILTER/FILTRO DI VENTILAZIONE
20	1-35-795-023	1	KIT, GASKET,



Ref	Onderdeelnummer	Kwt	Beschrijving
1	1-35-195-103	1	LINK, UPPER, , Länge/Length/Longuer/Længde/Lunghezza L = 470 - 705mm - Besteht aus/Consists of/Compose de/Bestående af/È composto da 2 - 5 / ----> .....
2	1-35-795-004	1	OOGBOUT,
3	1-35-795-005	1	BUISJE,
4	1-35-795-006	1	BLINDMOER,
5	1-35-795-007	1	OOGBOUT,
6	1-35-795-316	1	OPVULPIJP,
10	1-35-195-127	1	LINK, UPPER, , Länge/Length/Longuer/Længde/Lunghezza L = 450 - 675mm - Besteht aus/Consists of/Compose de/Bestående af/È composto da 2, 4 - 6 / ..... ---->/----> .....
11	1-35-795-317	1	KOGELGEWRICHT,
12	1-35-795-316	1	OPVULPIJP,
13	1-35-795-006	1	BLINDMOER,
14	1-35-795-318	1	KOGELGEWRICHT,
20	1-35-195-131	1	LINK, UPPER, , Länge/Length/Longuer/Længde/Lunghezza L = 450 - 675mm - Besteht aus/Consists of/Compose de/Bestående af/È composto da 11 - 14 / ..... ----> / Ersetzt/Replaces/Remplace/Udskiftet/Sostituisce 1-35-195-103, 1-35-195-127

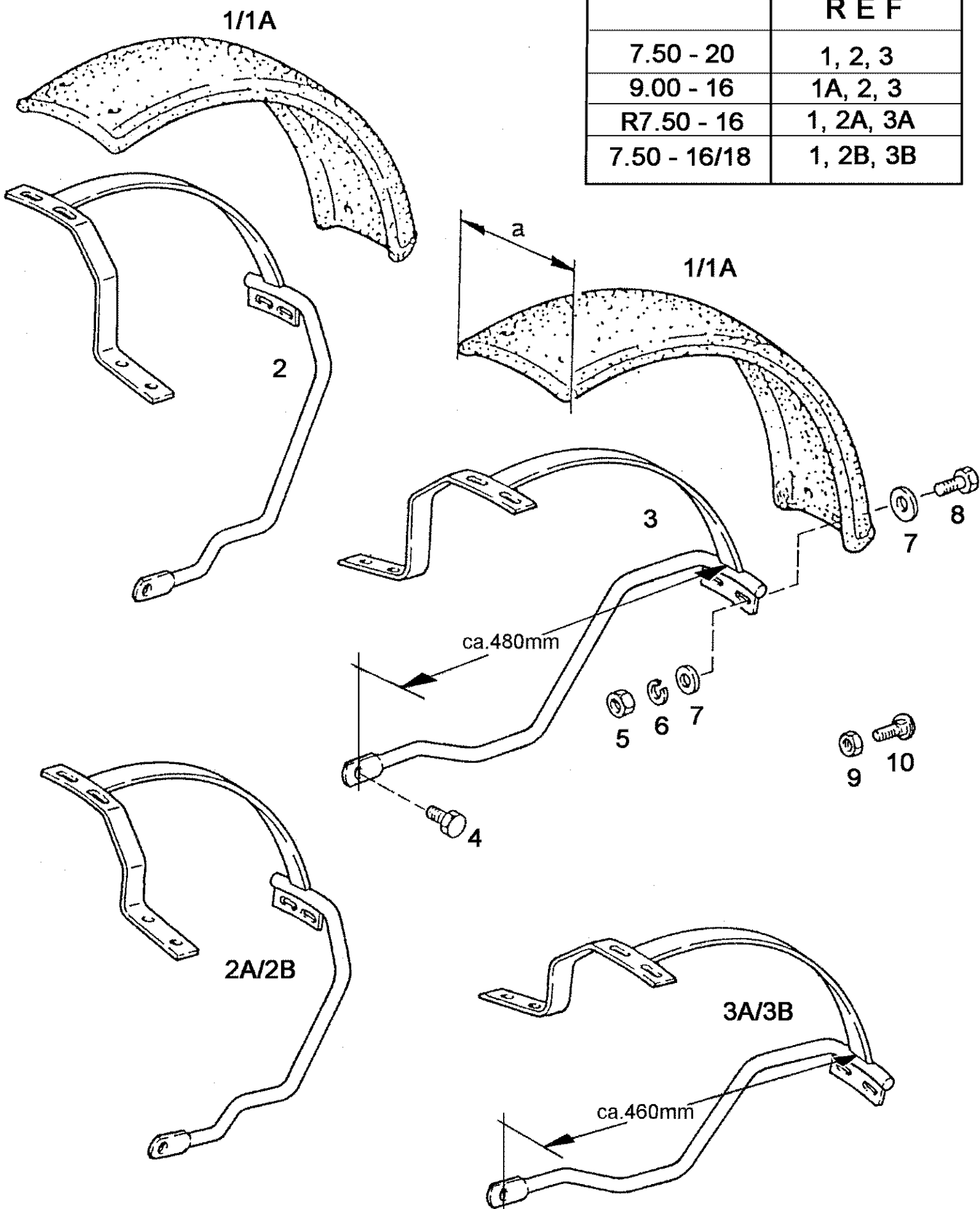






Ref	Onderdeelnummer	Kwt	Beschrijving
1	1-34-713-001	1	COVER, , Besteht aus/Consists of/Compose de/Bestående af/È composto da 2 - 5
2	1-34-413-005	2	HINGE, FIXED,
3	1-34-413-004	1	COVER,
4	190003936100	2	SLUITRING, , 5,3-140HV-A3C
5	190003888450	2	MOER, , VM5-8-A2C
6	1-34-513-030	1	HOOD ASSY., , Ersetzt/Replaces/Remplace/Udskiftet/Sostituisce 1-35-195-103
6	1-34-513-070	1	HOOD ASSY., , Grün/Green/Vert/Grøn/Verde
7	190003920221	2	SPLITPEN, , 3,2x18-ST-A4C
8	190003930271	4	SCHIJF, , A10,5-140HV-A3C
9	1-34-513-028	1	SHEET, , Rechts/Right/Droite/Højre/Destra
10	190003936103	2	SLUITRING, , 8,4-140HV-A3C-DIN9021
11	1-34-613-108	1	MODELIDENTIFIKATIEPLAATJ, , STEYR
12	1-34-513-059	1	ZEEF,
13	1-34-513-058	2	ZEEF, , Lochblech seitlich
14	120104	4	BOU, Hex, M8 x 20, 8.8,
15	1-34-513-041	2	PIN, PIVOT,
16	1-34-643-110	4	LAGERBUS,
17	1-34-513-060	1	PAN ASSY.,
18	896-11008	6	SLUITRING, M8 x 17.5 x 2, HT, , A8,4-140HV-A3C
19	190003846961	6	SCHROEF, , Am8x20-A3C
20	1-34-513-027	1	SHEET, , Links/Left/Gauche/Venstre/Sinistro
21	190003888451	2	MOER, , VM8-8-A2C
22	190003171396	2	DICHTING, RUBBER, , l=1650mm
23	825-1408	4	MOER, M8, CI 8,
24	1-34-413-107	1	BAIL,
25	1-34-516-300	1	SATELIETDRAGER, , Ersetzt/Replaces/Remplace/Udskiftet/Sostituisce 1-34-516-010
26	1-99-960-011	2	BUFFER, RUBBER,
27	86508568	2	BOU, Hex, M6 x 16, 8.8,
28	120104	6	BOU, Hex, M8 x 20, 8.8,
-	11106231	2	BOU, Hex, M10 x 25, 10.9, Full Thd, , M10x25-8.8-A3C
-	190003802527	4	SCHROEF, , M10x30-8.8-A3C
29	896-11008	6	SLUITRING, M8 x 17.5 x 2, HT, , A8,4-140HV-A3C
30	133700570155	1	ROPE, METAL,
31	116000110031	1	BLOKKERING,
32	15896221	2	MOER, M6, CI 10, , M6-8-A2C, DIN934
33	190003930251	4	SCHIJF, , A6,4-140HV-A3C
34	1-41-177-832	1	MAT,
35	1-41-177-833	1	MAT,

	REF
7.50 - 20	1, 2, 3
9.00 - 16	1A, 2, 3
R7.50 - 16	1, 2A, 3A
7.50 - 16/18	1, 2B, 3B

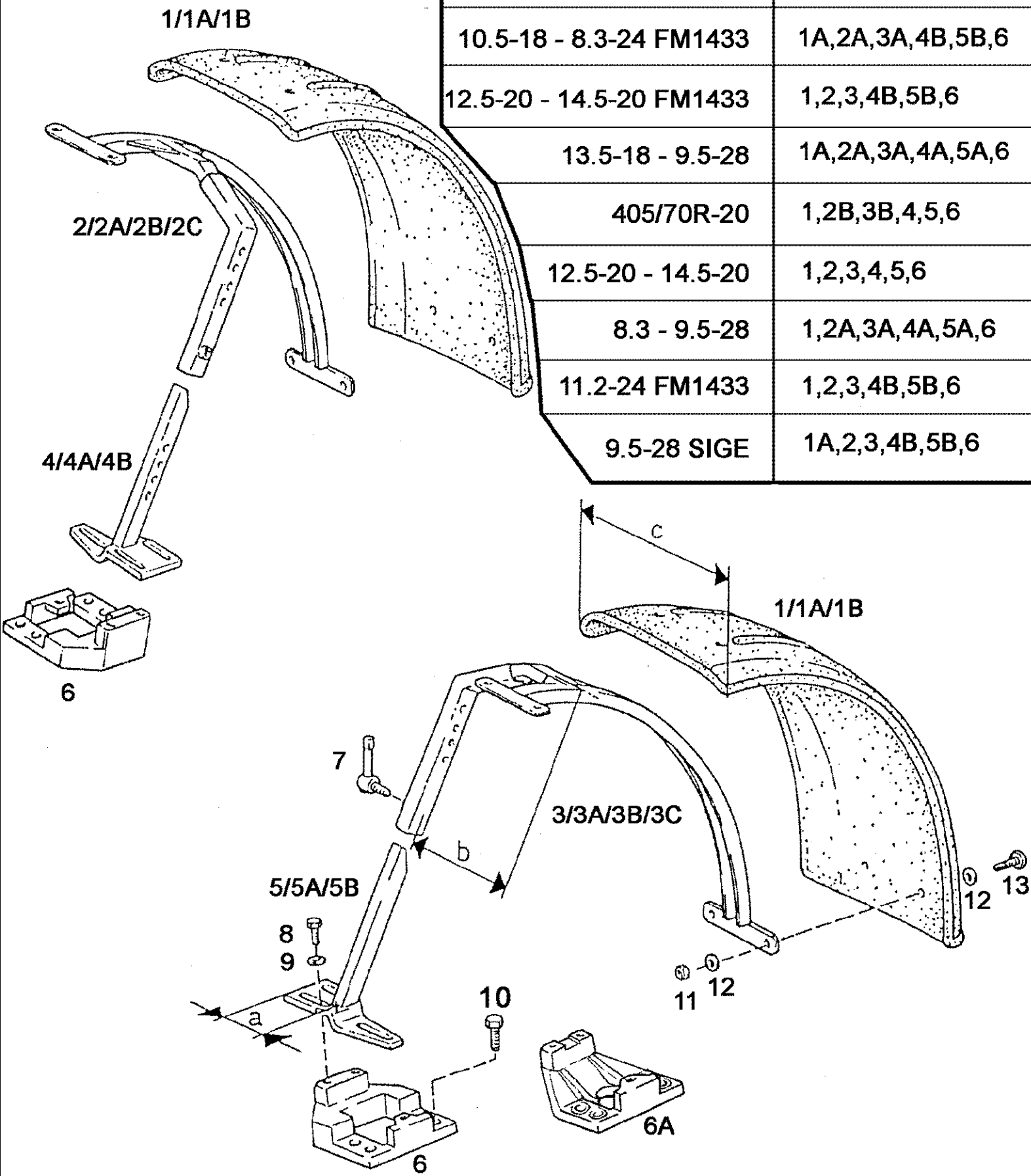


## 955 STEYR TRACTOR (2/92-6/97) - Chassis

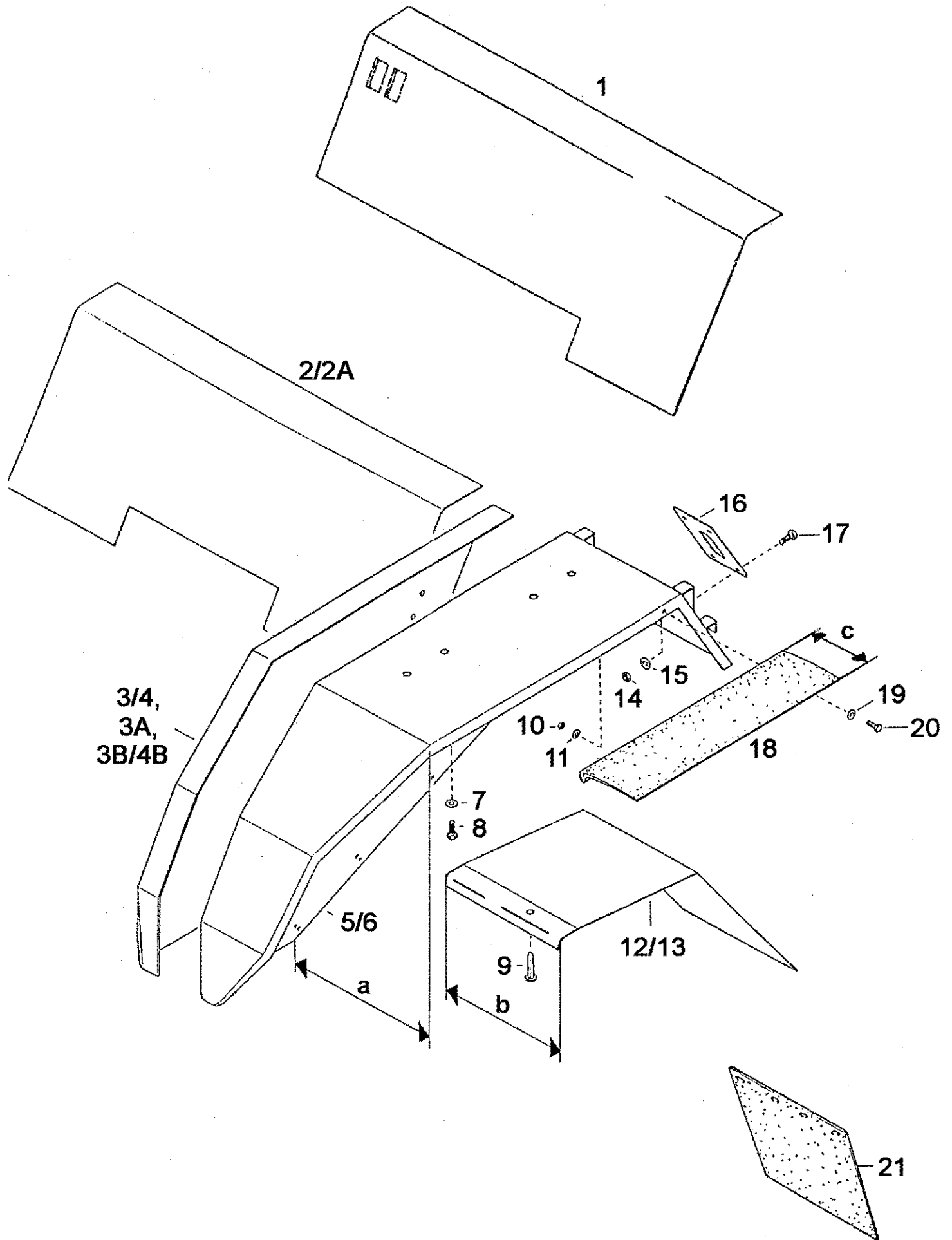
## 09A-02(01) FRONT MUDGUARD, 2WD

Ref	Onderdeelnummer	Kwt	Beschrijving
1	1-34-223-003	2	AFSCHERMING, , a = 225mm
1A	1-34-223-002	2	SHIELD, SPLASH, , a = 240mm
2	1-34-323-017	1	STEUNBEUGEL, , Rechts/Right/Droite/Højre/Destra
2A	1-34-523-021	1	SUPPORT, , Rechts/Right/Droite/Højre/Destra
2B	1-34-523-009	1	SUPPORT, , Rechts/Right/Droite/Højre/Destra
3	1-34-323-016	1	STEUNBEUGEL, , Links/Left/Gauche/Venstre/Sinistro
3A	1-34-523-022	1	SUPPORT, , Links/Left/Gauche/Venstre/Sinistro
3B	1-34-523-010	1	STEUNBEUGEL, , Links/Left/Gauche/Venstre/Sinistro
4	43151	2	BOUT, Hex, M12 x 20, 8.8, Full Thd, , M12x20-8.8
5	43362	8	MOER, M8, CI 10,
6	190003931102	8	BORGRING, , A8
7	190003936103	16	SLUITRING, , 8,4-140HV-A3C-DIN9021
8	43127	8	BOUT, Hex, M8 x 25, 8.8,
9	100016	8	MOER, M10, CI 8,
10	190003834521	4	SCHROEF, , M10X20-MU

	REF
10.5-18 - 8.3-24 FM1433	1A,2A,3A,4B,5B,6
12.5-20 - 14.5-20 FM1433	1,2,3,4B,5B,6
13.5-18 - 9.5-28	1A,2A,3A,4A,5A,6
405/70R-20	1,2B,3B,4,5,6
12.5-20 - 14.5-20	1,2,3,4,5,6
8.3 - 9.5-28	1,2A,3A,4A,5A,6
11.2-24 FM1433	1,2,3,4B,5B,6
9.5-28 SIGE	1A,2,3,4B,5B,6



Ref	Onderdeelnummer	Kwt	Beschrijving
1	1-34-623-075	2	SPATBORD , VOORAAN, , c = 355mm
1A	1-34-623-073	2	SPATBORD , VOORAAN, , c = 265mm
1B	1-34-623-087	2	SPATBORD , VOORAAN, , c = 410mm
2	1-34-623-066	1	SUPPORT ASSY., , b = 230mm, Rechts/Right/Droite/Højre/Destra - Ersetzt/Replaces/Remplace/Udskiftet/Sostituisce 1-34-623-015
2A	1-34-623-062	1	SUPPORT ASSY., , b = 185mm, Rechts/Right/Droite/Højre/Destra - Ersetzt/Replaces/Remplace/Udskiftet/Sostituisce 1-34-623-010
2B	1-34-623-064	1	SATELIETDRAGER, , b = 283mm, Rechts/Right/Droite/Højre/Destra - Ersetzt/Replaces/Remplace/Udskiftet/Sostituisce 1-34-623-040
2C	1-34-623-053	1	SUPPORT ASSY., , b = 295mm, Rechts/Right/Droite/Højre/Destra
3	1-34-623-065	1	SUPPORT ASSY., , b = 230mm, Links/Left/Gauche/Venstre/Sinistro - Ersetzt/Replaces/Remplace/Udskiftet/Sostituisce 1-34-623-014
3A	1-34-623-061	1	SUPPORT ASSY., , b = 185mm, Links/Left/Gauche/Venstre/Sinistro - Ersetzt/Replaces/Remplace/Udskiftet/Sostituisce 1-34-623-011
3B	1-34-623-063	1	SATELIETDRAGER, , b = 283mm, Links/Left/Gauche/Venstre/Sinistro - Ersetzt/Replaces/Remplace/Udskiftet/Sostituisce 1-34-623-041
3C	1-34-623-052	1	SUPPORT ASSY., , b = 295mm, Links/Left/Gauche/Venstre/Sinistro
4	1-34-623-021	1	PLAAT, , a=63mm, Rechts/Right/Droite/Højre/Destra
4A	1-34-623-023	1	PLAAT, , a=35mm, Rechts/Right/Droite/Højre/Destra
4B	1-34-623-035	1	PLAAT, GROOT, , a=108mm, Rechts/Right/Droite/Højre/Destra
5	1-34-623-022	1	PLAAT, , a=63mm, Links/Left/Gauche/Venstre/Sinistro
5A	1-34-623-024	1	PLAAT, , a=35mm, Links/Left/Gauche/Venstre/Sinistro
5B	1-34-623-036	1	PLAAT, , a=108mm, Links/Left/Gauche/Venstre/Sinistro
6	1-34-623-025	2	BEVESTIGINGSPLAAT, , SIGE
6A	1-33-141-032	2	ANKER,
7	1-34-623-018	2	BLOKKERING,
8	9706687	6	BOUT, Hex, M12 x 30, 8.8,
9	190003930282	6	SCHIJF, , A13
10	43167	8	BOUT, Hex, M16 x 30, 8.8, Full Thd, , M16x30-8.8
11	190003888451	8	MOER, , VM8-8
12	190003936103	8	SLUITRING, , 8,4-140HV-A3C-DIN9021
13	43127	8	BOUT, Hex, M8 x 25, 8.8,

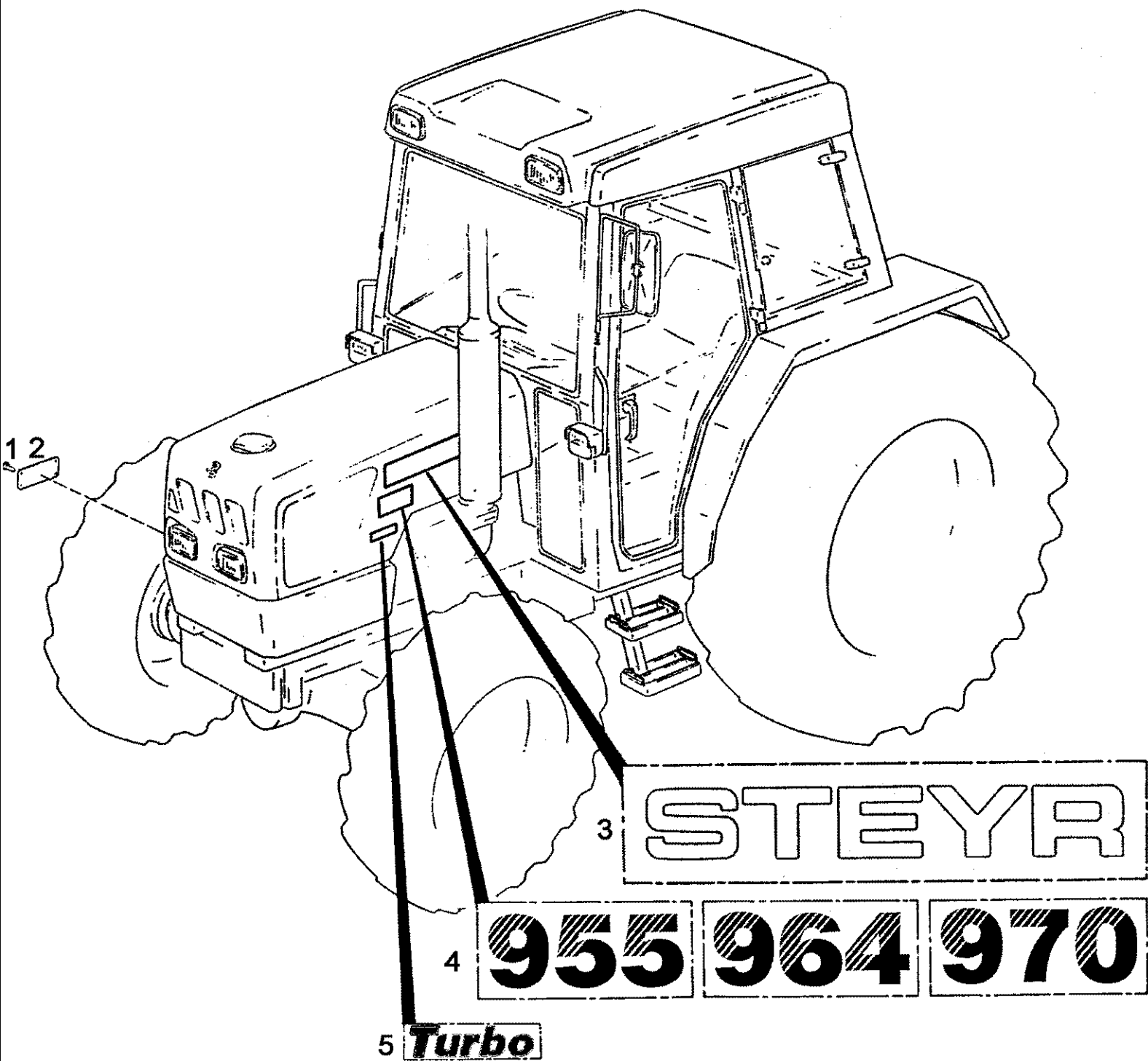


## 955 STEYR TRACTOR (2/92-6/97) - Chassis

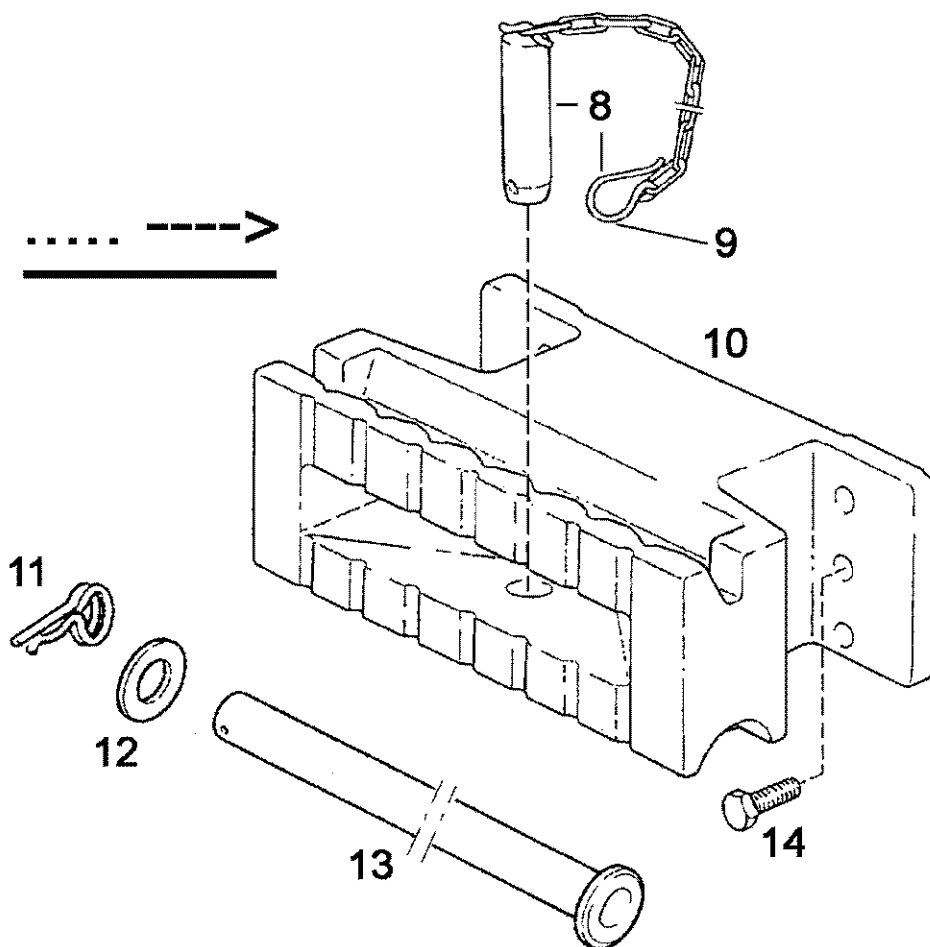
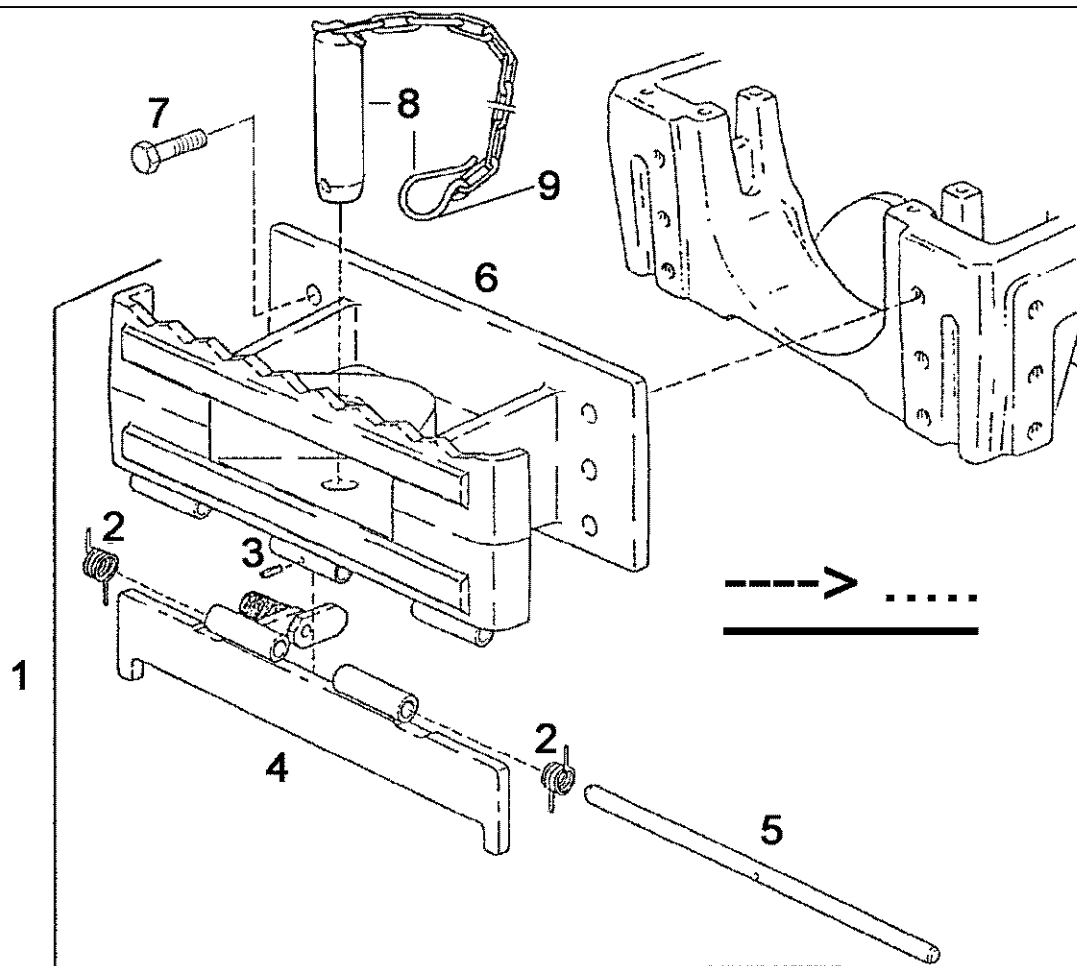
## 09A-04(01) MUDGUARD, REAR + SILENCING PARCEL

Ref	Onderdeelnummer	Kwt	Beschrijving
A	1-34-569-015	1	ISOLATIE, , Schwarz/Black/Noir/Sort/Nero, Besteht aus/Consists of/Compose de/Bestående af/È composto da 2 - 4 - ----> .....
B	1-34-569-025	1	, Schwarz/Black/Noir/Sort/Nero, Besteht aus/Consists of/Compose de/Bestående af/È composto da 2A, 3A, 4 - ..... ----> / ----> .....
C	1-34-569-050		ISOLATIESCHUIM, , Grau/Grey/Gris/Grå/Grigio, Besteht aus/Consists of/Compose de/Bestående af/È composto da 1, 3B, 4B - ..... ---->
1	1-34-569-053	1	DEURBEKLEDING, , Hinten/Rear/Derrière/Bagest/Posteriore
2	1-34-569-012	1	COVER, PROTECTIVE, , Hinten/Rear/Derrière/Bagest/Posteriore
2A	1-34-569-027	1	COVER, REAR, , Hinten/Rear/Derrière/Bagest/Posteriore
3	1-34-569-016	1	COVER, PROTECTIVE, , Rechts/Right/Droite/Højre/Destra
3A	1-34-569-026		COVER, PROTECTIVE, , Rechts/Right/Droite/Højre/Destra
3B	1-34-569-051	1	COVER, PROTECTIVE, , Rechts/Right/Droite/Højre/Destra
4	1-34-569-007		LINING, , Links/Left/Gauche/Venstre/Sinistro
4B	1-34-569-052	1	LINING, , Links/Left/Gauche/Venstre/Sinistro
5	1-34-525-206	1	FENDER ASSY., , Rechts/Right/Droite/Højre/Destra, Breit/Broad/Large/Bred/Largo a=440mm
5	1-34-525-215	1	AFSCHERMING, , Rechts/Right/Droite/Højre/Destra, Breit/Broad/Large/Bred/Largo a=390mm
6	1-34-525-207	1	FENDER ASSY., , Links/Left/Gauche/Venstre/Sinistro, Breit/Broad/Large/Bred/Largo a=440mm
6	1-34-525-216	1	AFSCHERMING, , Links/Left/Gauche/Venstre/Sinistro, Breit/Broad/Large/Bred/Largo a=390mm
7	190003930271	8	SCHIJF, , A10,5-140HV-A3C
8	43138	8	BOUT, Hex, M10 x 20, 8.8, Full Thd,
9	190003840014	2	SCHROEF, , ST4,2X13-K-A3C
10	825-1408	10	MOER, M8, CI 8,
11	190003931102	10	BORGRING, , A8
12	1-34-525-203	1	BESCHERMPLAAT, , Rechts/Right/Droite/Højre/Destra, Breit/Broad/Large/Bred/Largo b=200mm
12	1-34-525-220	1	BESCHERMPLAAT, , Rechts/Right/Droite/Højre/Destra, Breit/Broad/Large/Bred/Largo a=150mm
13	1-34-525-204	1	BESCHERMPLAAT, , Links/Left/Gauche/Venstre/Sinistro, Breit/Broad/Large/Bred/Largo b=280mm
13	1-34-525-212	1	BESCHERMPLAAT, , Links/Left/Gauche/Venstre/Sinistro, Breit/Broad/Large/Bred/Largo a=230mm
14	15896221	4	MOER, M6, CI 10, , M6-8-A2C, DIN934
15	190003930271	8	SCHIJF, , A10,5-140HV-A3C
16	1-34-525-105	1	COVER, PROTECTIVE,
17	190003834310	4	SCHROEF, , M6x16-MU
18	1-34-325-033	2	WURGPLAATJE, , Breit/Broad/Large/Bred/Largo c=87mm
18	1-34-325-028	2	WURGPLAATJE, , Breit/Broad/Large/Bred/Largo c=45mm
19	896-11008	10	SLUITRING, M8 x 17.5 x 2, HT, , A8,4
20	120104	10	BOUT, Hex, M8 x 20, 8.8,
21	116100232061	2	MUDFLAP,





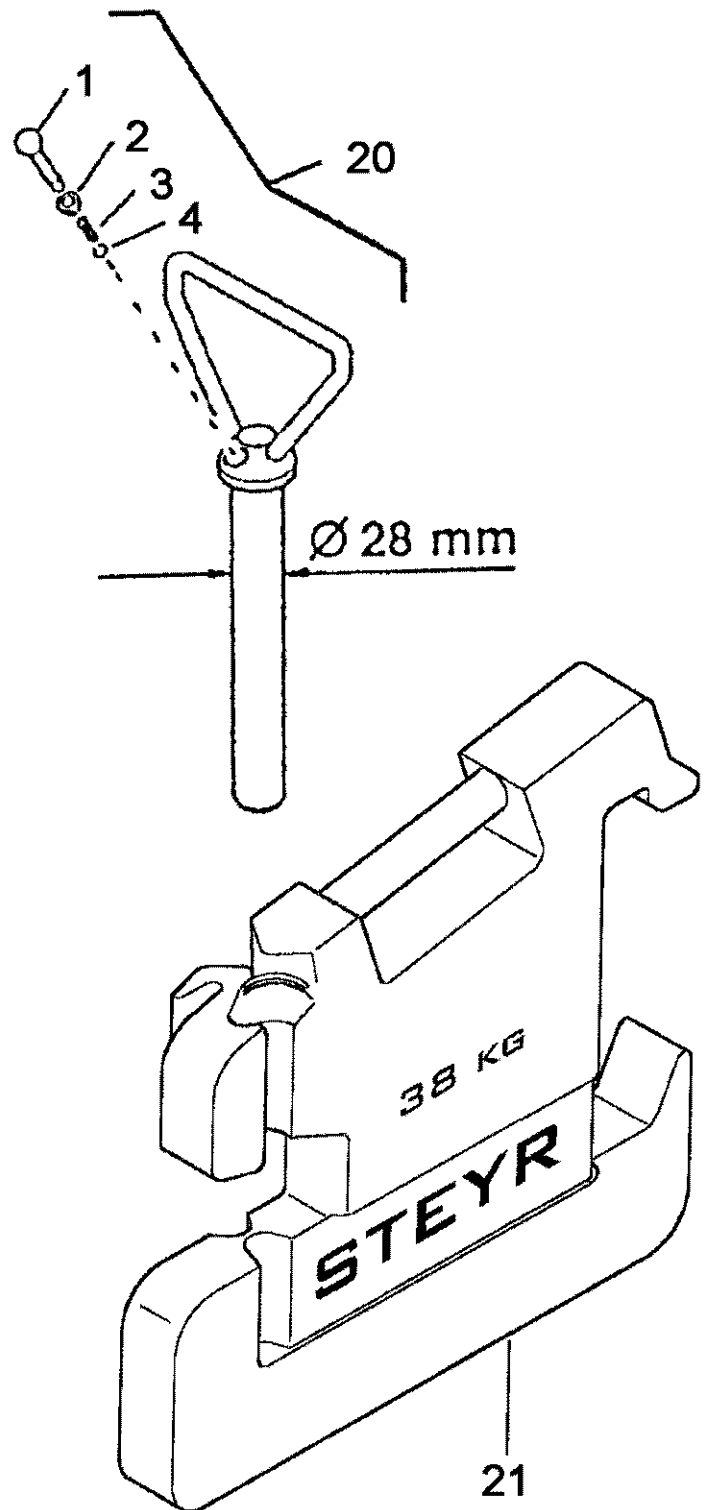
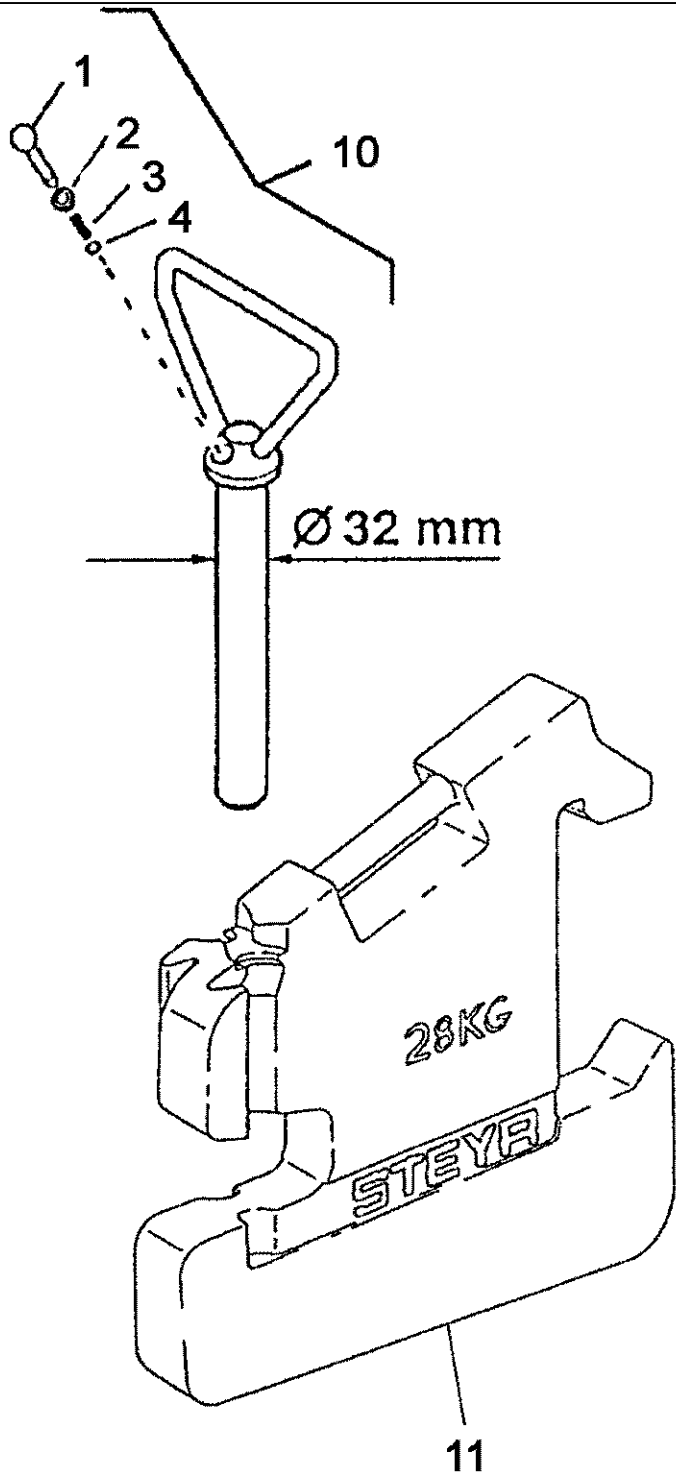
Ref	Onderdeelnummer	Kwt	Beschrijving
1	190003179530	4	KLINKNAGEL, , 5x7,5-POM-SW
2	1-34-577-084	1	MODELIDENTIFIKATIEPLAATJ, , Ersetzt/Replaces/Remplace/Udskiftet/Sostituisce 1-34-177-027
3	1-34-577-020	2	DECAL, , STEYR
4	1-34-577-032	2	DECAL, , 955
4	1-34-577-033	2	DECAL, , 964
4	1-34-577-034	2	DECAL, , 970
5	1-34-577-023	2	DECAL, , Turbo/Turbo/Turbo/Turbo/Turbo
5	1-34-577-049	2	DECAL, , Kommunal/Municipal/Municipal/Kommunal/Comunale
5	1-34-577-048	2	PLAAT, GROOT, , Forst/Forestry/Forestier/Skov/Forestale



## 955 STEYR TRACTOR (2/92-6/97) - Chassis

## 09A-06(01) FRONT WEIGHTS

Ref	Onderdeelnummer	Kwt	Beschrijving
1	1-33-161-005	1	INLEGRAAM, GEWICHTEN, , Besteht aus/Consists of/Compose de/Bestående af/È composto da 2 - 6
2	1-33-161-057	2	VEER,
3	190003900295	1	SPANSTIFT, , 5x22
4	1-33-161-059	1	TRIP,
5	1-33-161-044	1	STANG,
6	NSS	1	NIET ALLEEN VERKRIJGBAAR,
7	190003802841	1	SCHROEF, , M16x50-8.8
8	1-33-161-162	1	PEN, , Ersetzt/Replaces/Remplace/Udskiftet/Sostituisce 1-33-161-010
9	190003990009	1	VEERKLEM,
10	1-33-161-161	1	INLEGRAAM, GEWICHTEN, , 06101997 ---->
11	1328360C1	1	VEERKLEM,
12	1328361C1	1	SLUITRING,
13	1-33-161-155	1	BUISJE, , 06101997 ----->
14	190003802836	1	SCHROEF, , M16x60-8.8 - 06101997 ---->



## 09A-07(01) FRONT WEIGHTS

Ref	Onderdeelnummer	Kwt	Beschrijving
1	1-33-161-072	1	DETENT,
2	1-33-161-074	1	VIJZELSCHROEF,
3	1-33-161-073	1	VEER,
4	190003933046	1	SLUITRING, , 10x1
10	1-33-161-006	1	PIN, LARGE, , Einschließlich/Includes/Avec/Inklusive/Compreso 1 - 4 - 32mm
11	1-33-161-002	1	BALLAST, , 28kg, 32mm
20	1-33-161-171	1	PIN, LARGE, , Einschließlich/Includes/Avec/Inklusive/Compreso 1 - 4 - 28mm
21	1-33-161-170	1	BALLAST, , Ersetzt/Replaces/Remplace/Udskiftet/Sostituisce 1-33-161-001 - 38kg, 30mm

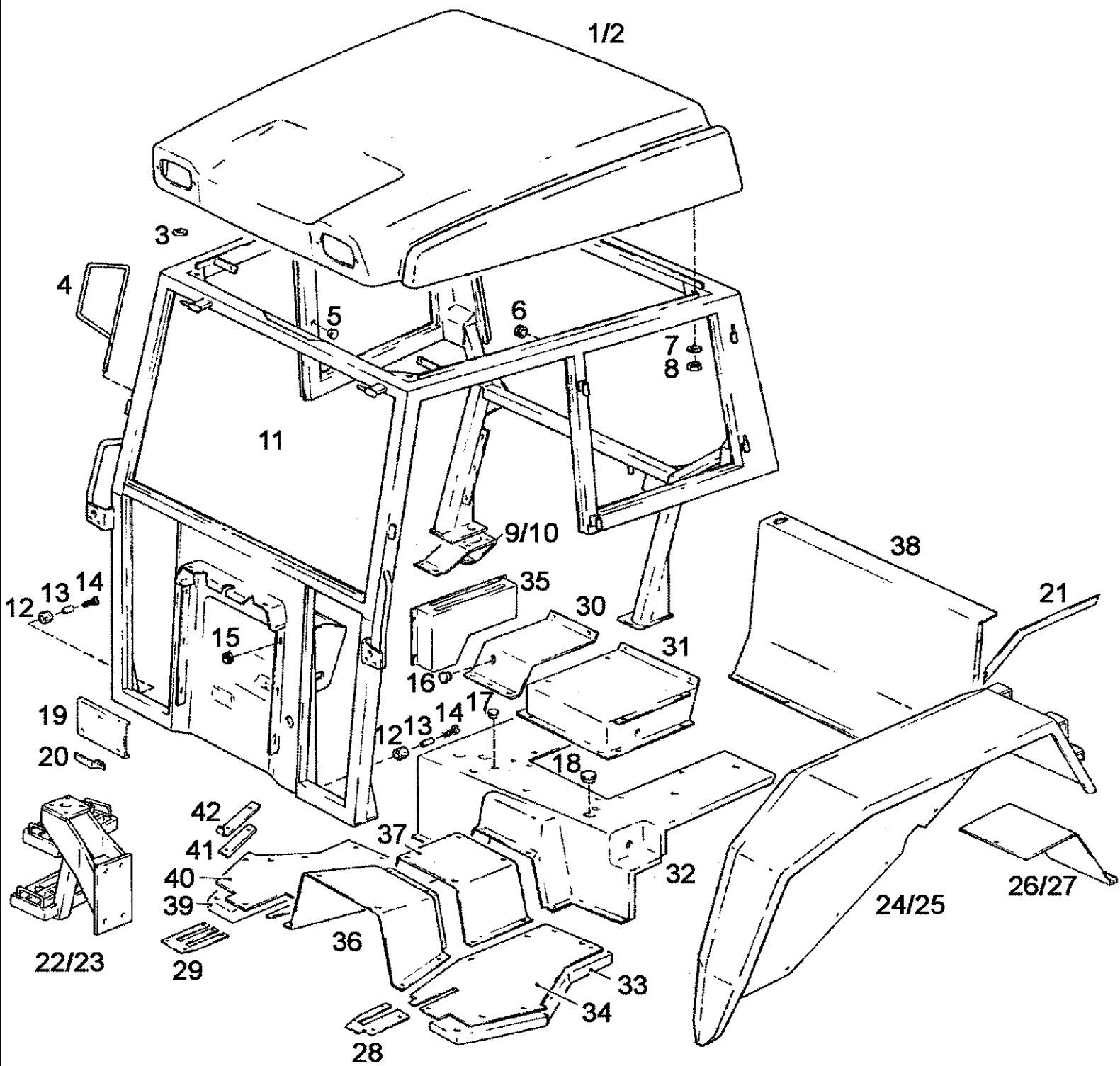


## 955 STEYR TRACTOR (2/92-6/97) - Chassis

## 09A-08(01) PLATES, DECALS

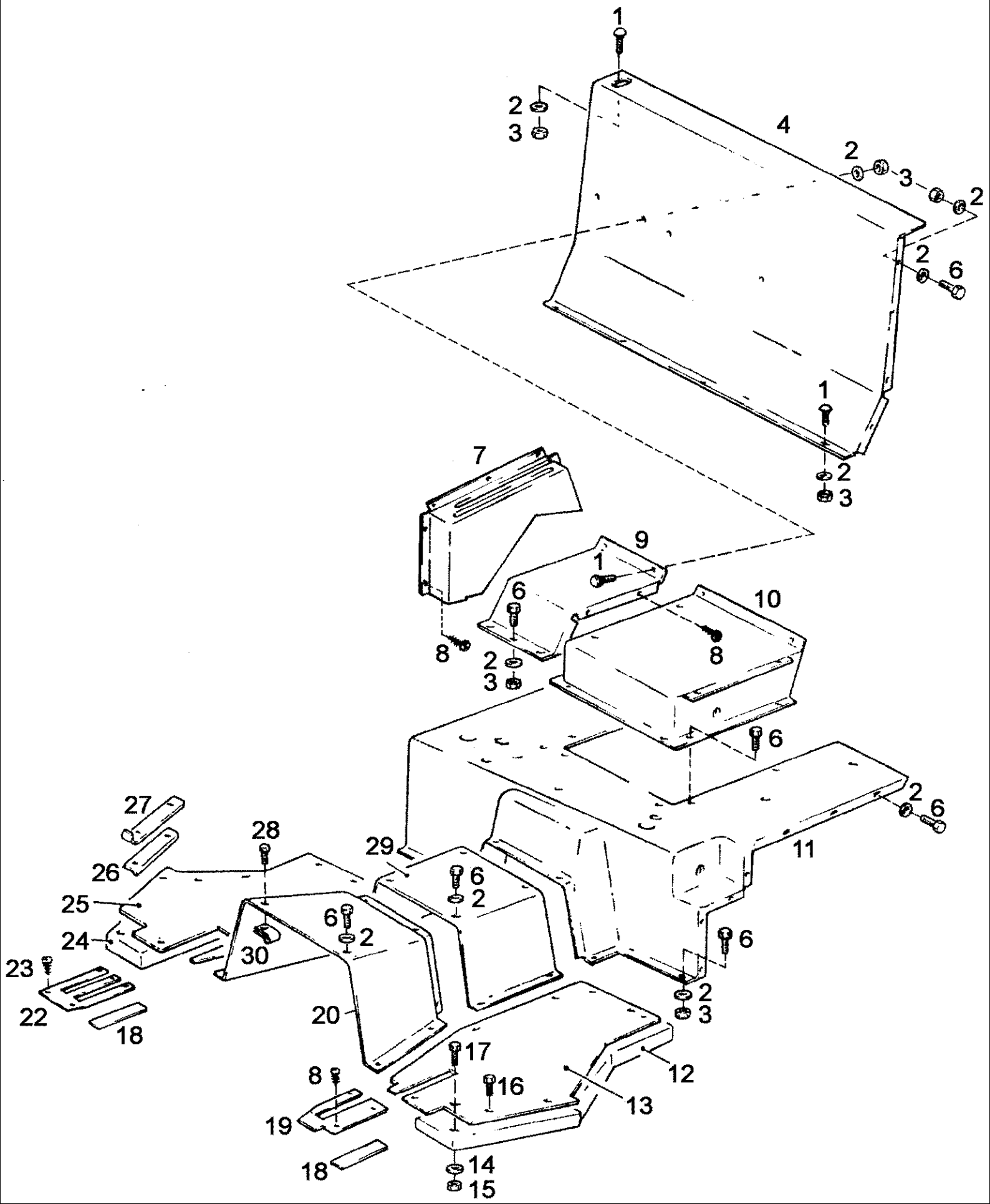
Ref	Onderdeelnummer	Kwt	Beschrijving
1	193770044	1	PLAAT,
2	1289910005	1	DECAL,
3	1-34-577-084	1	MODELIDENTIFIKATIEPLAATJ,
4	190003179530	4	KLINKNAGEL, , 5X7,5-POM-SW
5	1-34-577-010	1	PLAAT, GROOT,
6	1-34-577-017	1	DECAL, , 30 km/h
6	1-34-577-016	1	DECAL, , 40 km/h
7	193770062	1	TAG,
8	1-34-577-021	1	DECAL,
9	1-34-677-611	1	DECAL,
10	1-34-177-109	1	DECAL,
11	1-34-177-094	1	LIJM,
12	1-34-177-111	1	PRODUCTAFBEELDING,
13	1-34-577-303	1	DECAL,
14	1-34-577-029	1	DECAL,
15	1-34-177-096	1	PLAAT, GROOT,
16	1-34-177-114	1	PRODUCTAFBEELDING,
17	161500040038	1	TAG,
18	135700730239	1	SYMBOLLEN,
19	1-33-161-076	1	DECAL, , 1,6 BAR
20	1-33-161-079	1	DECAL, , 2,5 BAR
21	1-33-161-080	1	DECAL, , 3,0 BAR
22	1-33-161-081	1	DECAL, , 3,7 BAR
23	1-34-577-071	1	DECAL,
24	1-34-177-107	1	PLAAT, GROOT,
25	1413C080007	1	TAG,
26	1-34-177-027	1	DECAL,
27	1-34-577-304	1	DECAL, , 40 KM/H
28	1-34-177-165	1	DECAL,
29	1-34-577-341	1	DECAL,
30	1-34-577-342	1	DECAL,
31	1-34-577-340	1	DECAL, , L=380mm
31	1-34-577-343	1	DECAL, , L=230mm



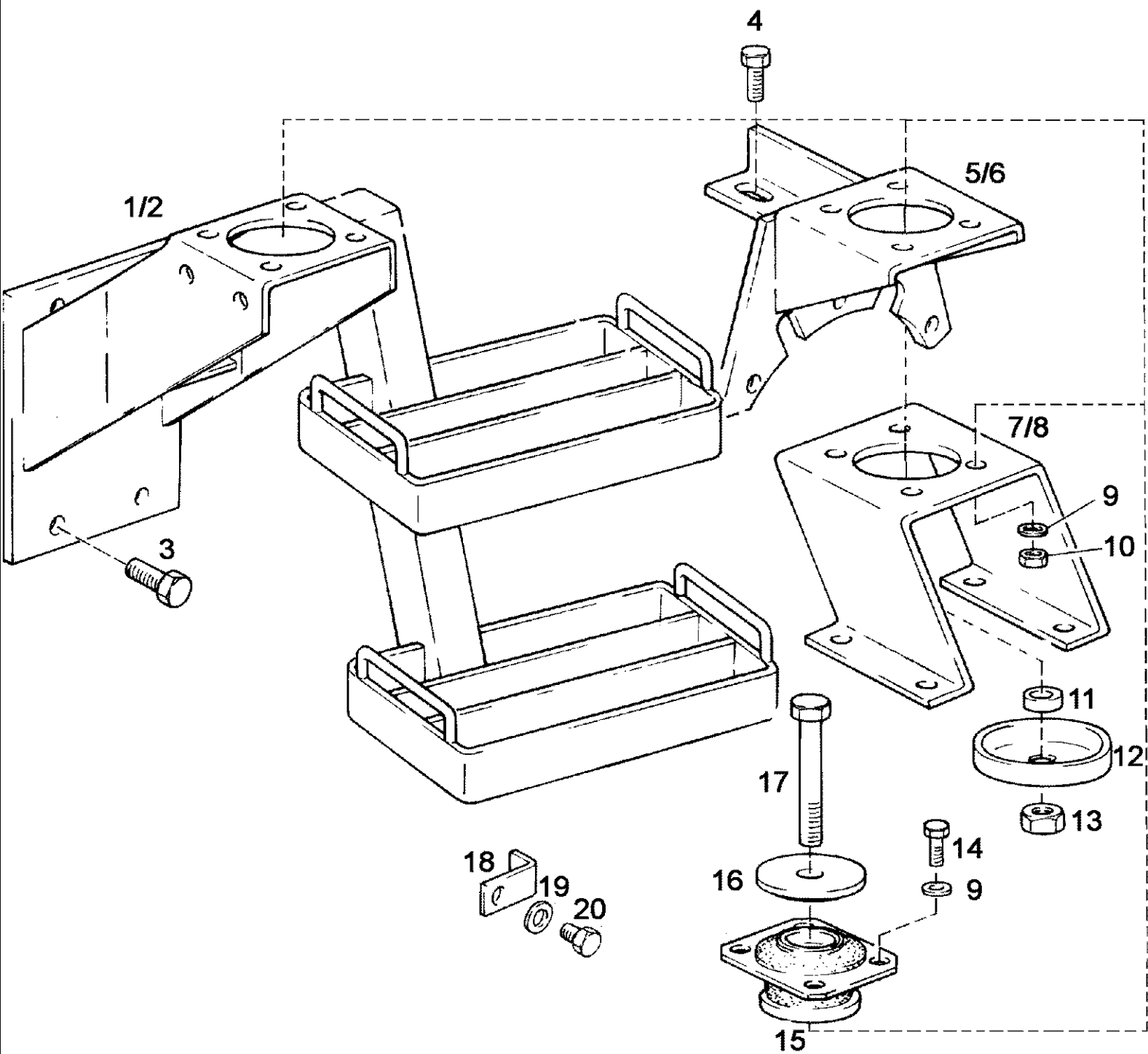


Ref	Onderdeelnummer	Kwt	Beschrijving
-	1-34-518-210	1	CABINE, CARROSSERIE, , Besteht aus/Consists of/Compose de/Bestående af/È composto da 4, 11, 19, 20, 24 - 27, 30 - 42 - Breit/Broad/Large/Bred/Largo
-	1-34-518-435	1	CABINE, CARROSSERIE, , Besteht aus/Consists of/Compose de/Bestående af/È composto da 4, 11, 19, 20, 24 - 27, 30 - 42 - Schmal/Narrow/Etroit/Smal/Sottile
1	1-34-519-160	1	HARD DAK, , Nieder/Low/Bas/Lav/Basso - Siehe nächste Seite(n)/See next page(s)/Voir page(s) suivante(s)/Se næste side(r)/Vedere pagin(a/e) sequent(e/i) - Ersetzt/Replaces/Remplace/Udskiftet/Sostituisce 1-34-519-100, 1-34-519-150
2	1-34-519-210	1	HARD DAK, , Hoch/High/Haut/Opad/Alto - Siehe nächste Seite(n)/See next page(s)/Voir page(s) suivante(s)/Se næste side(r)/Vedere pagin(a/e) sequent(e/i) - Ersetzt/Replaces/Remplace/Udskiftet/Sostituisce 1-34-519-200
3	190003930301	2	SLUITRING, , A17-140HV-A3C
4	1-34-577-101	2	STANG, , Siehe nächste Seite(n)/See next page(s)/Voir page(s) suivante(s)/Se næste side(r)/Vedere pagin(a/e) sequent(e/i)
5	190003171304	2	PLUG, , A8,9x9,5
6	190003129042	1	KABELDOORGANG, , Q02 ; 6x3
7	190003936103	4	SLUITRING, , 8,4-140HV-A3C-DIN9021
8	825-1408	4	MOER, M8, CI 8,
9		1	, Rechts hinten/Rear right hand side/Arrière-droit/Bagest til højre/Posteriore destro - Siehe nächste Seite(n)/See next page(s)/Voir page(s) suivante(s)/Se næste side(r)/Vedere pagin(a/e) sequent(e/i)
10		1	. Links hinten/Rear left hand side/Gauche arrière/Bagest til venstre/Posteriore sinistro - Siehe nächste Seite(n)/See next page(s)/Voir page(s) suivante(s)/Se næste side(r)/Vedere pagin(a/e) sequent(e/i)
11	1-34-518-201	1	CHASSIS,
12	1181A130007	3	BUFFER, RUBBER,
13	199014360123	3	OPVULPIJP,
14	190003840023	3	SCHROEF, , ST3,9 x 32-N-H-BN
15	190003129036	1	KABELDOORGANG, , 9x2,5
16	190003179432		PLUG, , A16,7x5,5
17	190003171869	1	PLUG, , A14,6x5,5
18	190003179464	2	PLUG, , A40,7x15
-	190003171756	1	PLUG, , 29,5x40
-	190003170065	2	AFSCHERMKAP, , 29,5x40
19	1-41-177-830	1	COVER,
20	1-41-177-831	1	RETAINER, CABLE,
21	190003179043	1	DICHTINGSSTROOK, , l=3600mm
22		1	, Rechts vorne/Front right hand side/Avant-droit/Forrest til højre/Anteriore destro - Siehe nächste Seite(n)/See next page(s)/Voir page(s) suivante(s)/Se næste side(r)/Vedere pagin(a/e) sequent(e/i)
23		1	, Links vorne/Front left hand side/Gauche avant/Forrest til venstre/Anteriore sinistro - Siehe nächste Seite(n)/See next page(s)/Voir page(s) suivante(s)/Se næste side(r)/Vedere pagin(a/e) sequent(e/i)
24		1	, Rechts hinten/Rear right hand side/Arrière-droit/Bagest til højre/Posteriore destro - Siehe Seite(n) vorne/See page(s) before/Voir page(s) avant(es)/Se side(r) forrest/Vedere pagin(a/e) precedent(e/i)

Ref	Onderdeelnummer	Kwt	Beschrijving
25		1	, Links hinten/Rear left hand side/Gauche arrière/Bagest til venstre/Posteriore sinistro - Siehe Seite(n) vorne/See page(s) before/Voir page(s) avant(es)/Se side(r) forrest/Vedere pagin(a/e) precedent(e/i)
26		1	, Rechts/Right/Droite/Højre/Destra - Siehe Seite(n) vorne/See page(s) before/Voir page(s) avant(es)/Se side(r) forrest/Vedere pagin(a/e) precedent(e/i)
27		1	, Links/Left/Gauche/Venstre/Sinistro - Siehe Seite(n) vorne/See page(s) before/Voir page(s) avant(es)/Se side(r) forrest/Vedere pagin(a/e) precedent(e/i)
28		1	, Links/Left/Gauche/Venstre/Sinistro - Siehe nächste Seite(n)/See next page(s)/Voir page(s) suivante(s)/Se næste side(r)/Vedere pagin(a/e) sequent(e/i)
29		1	, Rechts/Right/Droite/Højre/Destra - Siehe nächste Seite(n)/See next page(s)/Voir page(s) suivante(s)/Se næste side(r)/Vedere pagin(a/e) sequent(e/i)
30		1	, Siehe nächste Seite(n)/See next page(s)/Voir page(s) suivante(s)/Se næste side(r)/Vedere pagin(a/e) sequent(e/i)
31		1	, Siehe nächste Seite(n)/See next page(s)/Voir page(s) suivante(s)/Se næste side(r)/Vedere pagin(a/e) sequent(e/i)
32		1	, Siehe nächste Seite(n)/See next page(s)/Voir page(s) suivante(s)/Se næste side(r)/Vedere pagin(a/e) sequent(e/i)
33		1	, Siehe nächste Seite(n)/See next page(s)/Voir page(s) suivante(s)/Se næste side(r)/Vedere pagin(a/e) sequent(e/i)
34		1	, Siehe nächste Seite(n)/See next page(s)/Voir page(s) suivante(s)/Se næste side(r)/Vedere pagin(a/e) sequent(e/i)
35		1	, Siehe nächste Seite(n)/See next page(s)/Voir page(s) suivante(s)/Se næste side(r)/Vedere pagin(a/e) sequent(e/i)
36		1	, Siehe nächste Seite(n)/See next page(s)/Voir page(s) suivante(s)/Se næste side(r)/Vedere pagin(a/e) sequent(e/i)
37		1	, Siehe nächste Seite(n)/See next page(s)/Voir page(s) suivante(s)/Se næste side(r)/Vedere pagin(a/e) sequent(e/i)
38		1	, Siehe nächste Seite(n)/See next page(s)/Voir page(s) suivante(s)/Se næste side(r)/Vedere pagin(a/e) sequent(e/i)
39		1	, Siehe nächste Seite(n)/See next page(s)/Voir page(s) suivante(s)/Se næste side(r)/Vedere pagin(a/e) sequent(e/i)
40		1	, Siehe nächste Seite(n)/See next page(s)/Voir page(s) suivante(s)/Se næste side(r)/Vedere pagin(a/e) sequent(e/i)
41		2	, Siehe nächste Seite(n)/See next page(s)/Voir page(s) suivante(s)/Se næste side(r)/Vedere pagin(a/e) sequent(e/i)
42		2	, Siehe nächste Seite(n)/See next page(s)/Voir page(s) suivante(s)/Se næste side(r)/Vedere pagin(a/e) sequent(e/i)



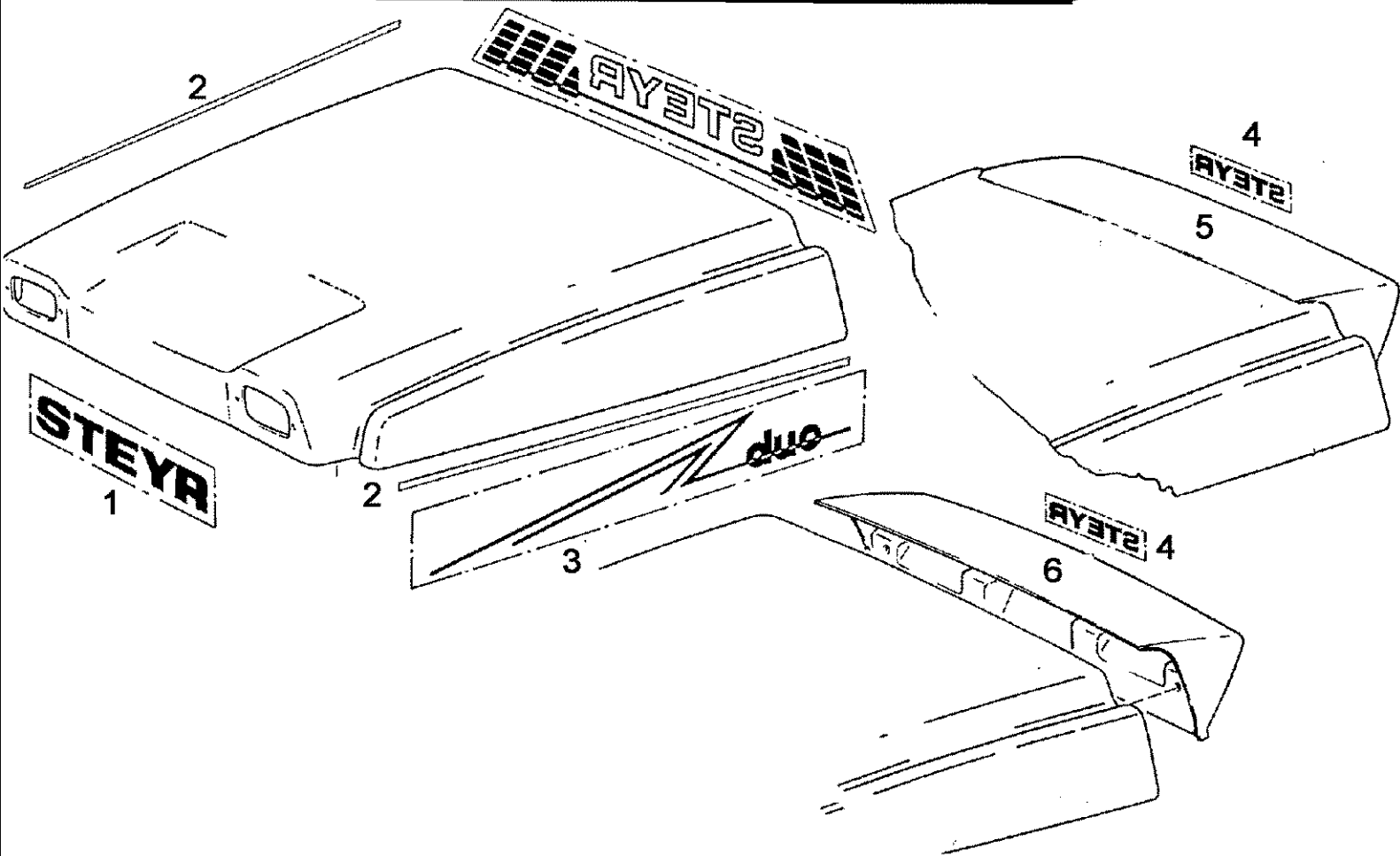
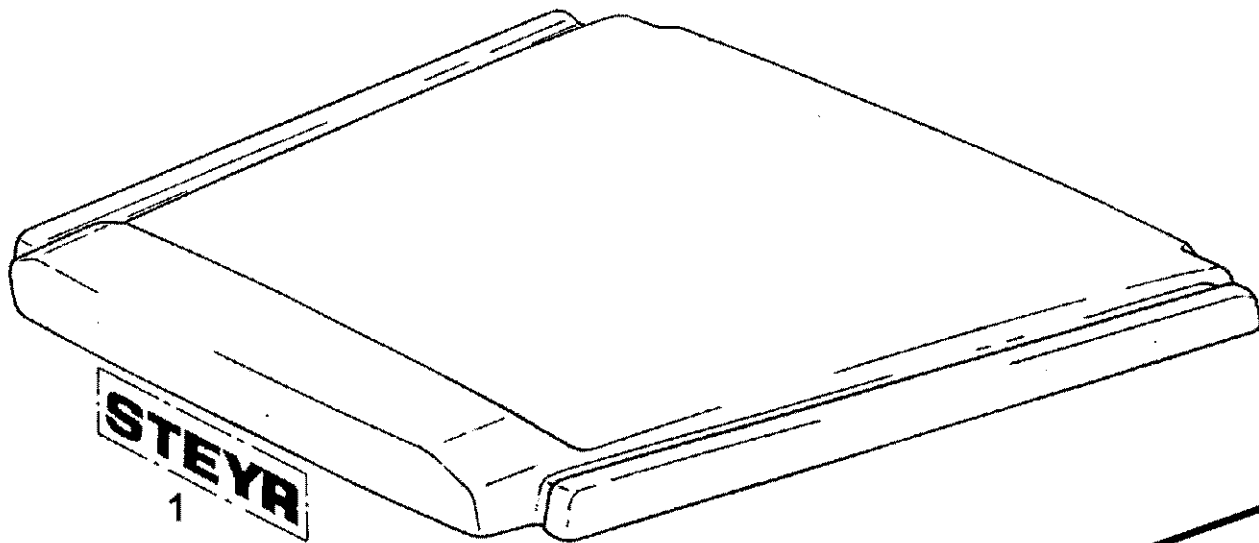
Ref	Onderdeelnummer	Kwt	Beschrijving
1	190003834310	3	SCHROEF, , M6x16-MU-A2C
2	190003936103	-	SLUITRING, , 8,4-140HV-A3C-DIN9021
3	15896221	6	MOER, M6, CI 10, , M6-8-A2C, DIN934
4	1-34-518-202	1	COVER, REAR, , Siehe nächste Seite(n)/See next page(s)/Voir page(s) suivante(s)/Se næste side(r)/Vedere pagin(a/e) seguent(e/i)
6	86508568	-	BOUT, Hex, M6 x 16, 8.8,
7	1-34-518-205	1	GUIDE, LEVERS, , Ersetzt/Replaces/Remplace/Udskiftet/Sostituisce 1-34-518-203
8	190003840014	-	SCHROEF, , ST4,2x13-K-A3C
9	1-34-518-204	1	SHEET,
10	1-34-551-201	1	SUPPORT, SEAT,
11	1-34-527-201	1	COVER, PROTECTIVE,
12	1-34-527-214	1	SLUITRING, , Links/Left/Gauche/Venstre/Sinistro
13	1-34-527-207	1	VOET, , Links/Left/Gauche/Venstre/Sinistro
14	896-11008	2	SLUITRING, M8 x 17.5 x 2, HT, , A8,4-140HV-A3C
15	825-1408	2	MOER, M8, CI 8,
16	43138	2	BOUT, Hex, M10 x 20, 8.8, Full Thd,
17	16043224	1	BOUT, Hex, M8 x 16, 8.8, Full Thd,
18	1-34-527-042	2/4	JOINT, RUBBER,
19	1-34-527-040	1	PLAAT, GROOT, , Links/Left/Gauche/Venstre/Sinistro - Einschließlich/Includes/Avec/Inklusive/Compreso 18 - Ersetzt/Replaces/Remplace/Udskiftet/Sostituisce 1-34-577-040
20	1-34-527-204	1	BESCHERMPLAAT, , Vorne/Front/Avant/Forrest/Anteriore
22	1-34-527-041	1	PLAAT, GROOT, , Rechts/Right/Droite/Højre/Destra - Einschließlich/Includes/Avec/Inklusive/Compreso 18
23	190003840009	5	SCHROEF, , ST3,9x16-Q-H-A3C
24	1-34-527-213	1	SLUITRING, , Rechts/Right/Droite/Højre/Destra
25	1-34-527-206	1	VOET, , Rechts/Right/Droite/Højre/Destra
26	1-34-527-108	2	BAKPLAT, , ----> .....
27	1-34-527-109	2	DRAAGARM,
28	190003800226	1	SCHROEF, , M5x25-8.8-A2C
29	1-34-527-205	1	BESCHERMPLAAT, , Mitte/Centre/Centre/Midtfor/Centro
30	1609E110049	1	KLEM,



## 955 STEYR TRACTOR (2/92-6/97) - Chassis

## 09B-03(01) SUPPORT

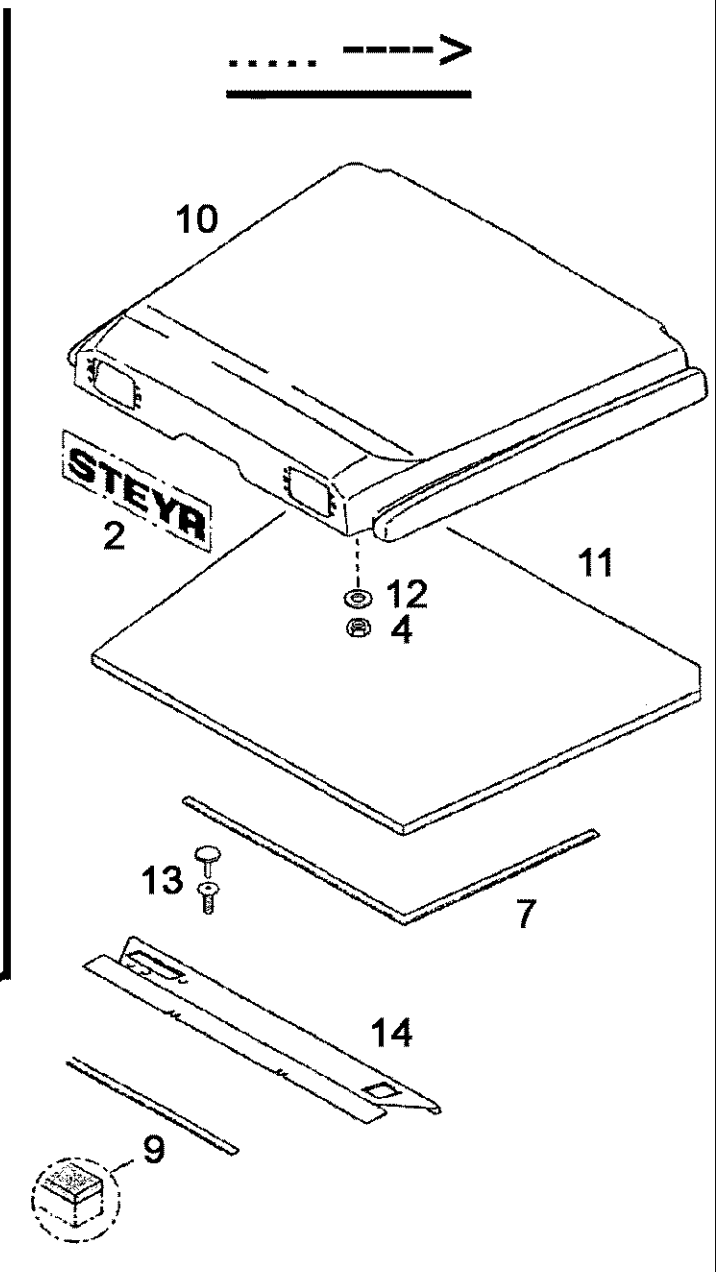
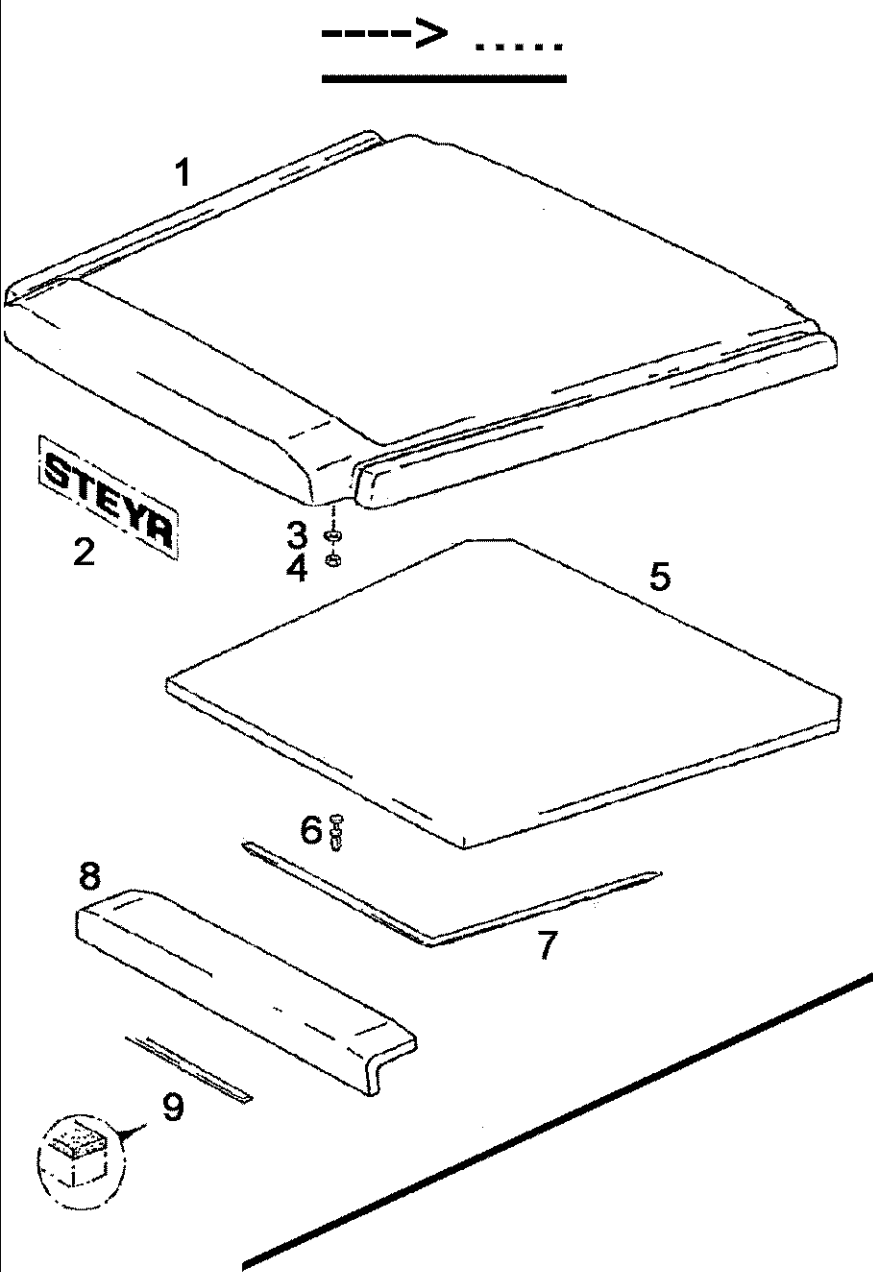
Ref	Onderdeelnummer	Kwt	Beschrijving
1	1-34-541-201	1	VOETTREDE, , Vorne/Front/Avant/Forrest/Anteriore - Rechts/Right/Droite/Højre/Destra
2	1-34-541-202	1	VOETTREDE, , Vorne/Front/Avant/Forrest/Anteriore - Links/Left/Gauche/Venstre/Sinistro
3	190003802724	12	SCHROEF, , M14x30-8.8-A3C
3	280854	4/8	BOUT, Hex, M14 x 35, 8.8, Full Thd, , M14x35-8.8-A3C
4	190003802622	2	SCHROEF, , M12x25-8.8-A3C
4	43151	2	BOUT, Hex, M12 x 20, 8.8, Full Thd, , M12x20-8.8-A3C
4	9706687	6	BOUT, Hex, M12 x 30, 8.8,
5	1-34-541-203	1	SUPPORT, , 955/A, Hinten/Rear/Derrière/Bagest/Posteriore - Rechts/Right/Droite/Højre/Destra
6	1-34-541-204	1	LAGER, , 955/A, Hinten/Rear/Derrière/Bagest/Posteriore - Links/Left/Gauche/Venstre/Sinistro
7	1-34-541-213	1	LAGER, , 964/A, 970A, Hinten/Rear/Derrière/Bagest/Posteriore - Rechts/Right/Droite/Højre/Destra
8	1-34-541-214	1	LAGER, , 964/A, 970A, Hinten/Rear/Derrière/Bagest/Posteriore - Links/Left/Gauche/Venstre/Sinistro
9	896-11008	32	SLUITRING, M8 x 17.5 x 2, HT, , 8,4-140HV-A3C
10	190003888451	16	MOER, , VM8-8-A2C
11	1-99-907-056	4	AFSTANDSRING,
12	1-34-141-090	4	RING, BACK-UP,
13	190003888459	4	MOER, , VM16x1,5-A3C, h=14
14	120104	16	BOUT, Hex, M8 x 20, 8.8,
15	1-34-141-100	2	LAGER,
16	116020430018	4	SCHIJF,
17	190003803863	4	SCHROEF, , M16x1,5x100-8.8-A3C
18	1-99-974-236	2	HOEKSTUK,
19	190003935017	2	SCHIJF, , 16-ST-A3C
20	190003802503	2	SCHROEF,



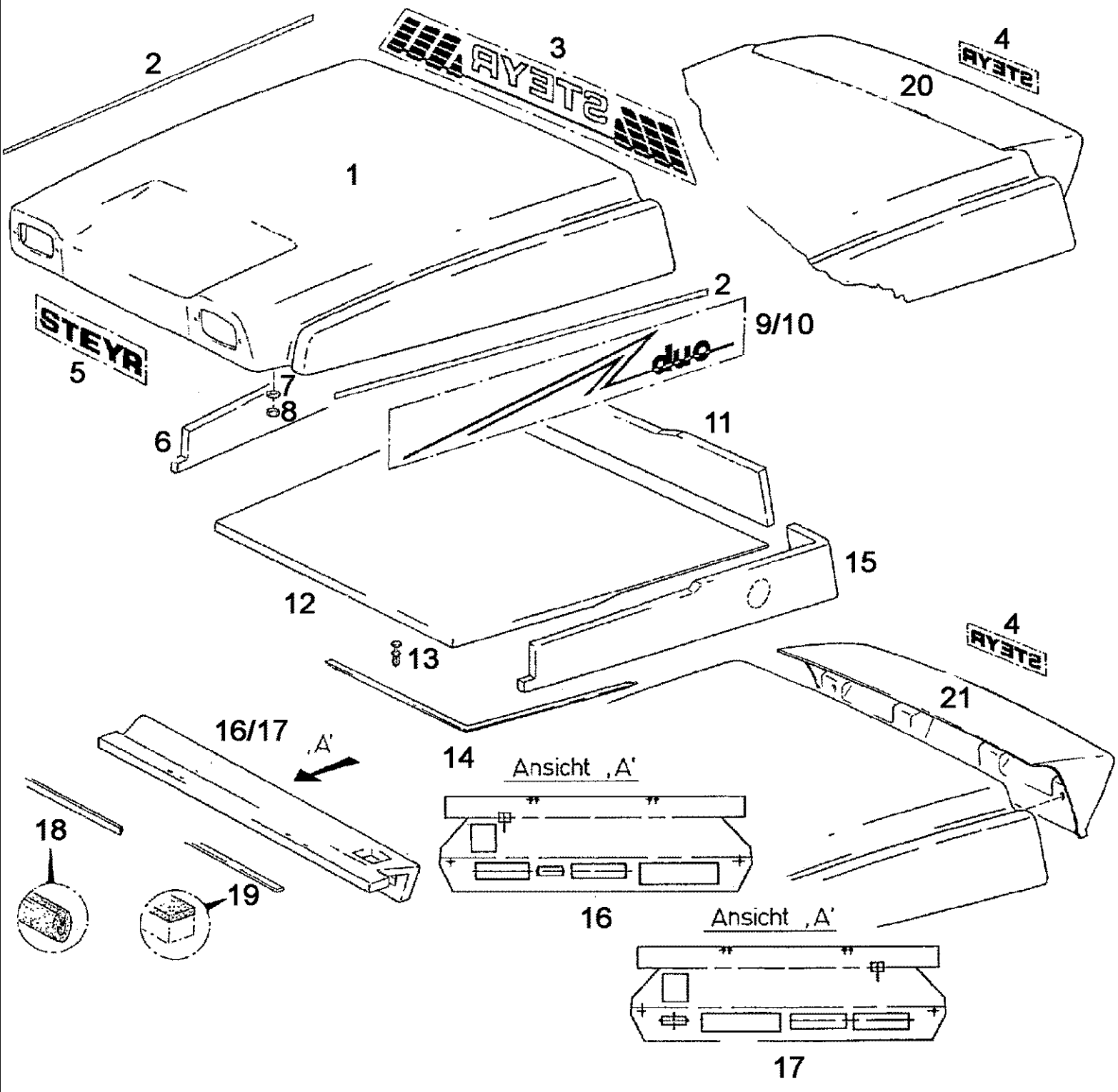


## 09B-04(01) ROOF DECALS

Ref	Onderdeelnummer	Kwt	Beschrijving
1	1-34-677-048	1	MODELIDENTIFIKATIEPLAATJ, , STEYR, Ersetzt/Replaces/Remplace/Udskiftet/Sostituisce 1-34-577-011,1-34-577-012 - Reflektierend/Reflective/Reflecteur/Reflekerende/Riflettente
1	1-34-677-050	1	DECAL, , Forst/Forestry/Forestier/Skov/Forestale - Reflektierend/Reflective/Reflecteur/Reflekerende/Riflettente
1	1-34-677-051	1	DECAL, , Kommunal/Municipal/Municipal/Kommunal/Comunale - Reflektierend/Reflective/Reflecteur/Reflekerende/Riflettente
2	1-34-577-203	2	PRODUCTAFBEELDING, , STEYR
2	1-34-577-207	2	PRODUCTAFBEELDING, , Forst/Forestry/Forestier/Skov/Forestale
2	1-34-577-208	2	DECAL, , Kommunal/Municipal/Municipal/Kommunal/Comunale
3	1-34-577-035	1	DECAL, , Rechts/Right/Droite/Højre/Destra
3	1-34-577-036	1	PLAAT, GROOT, , Links/Left/Gauche/Venstre/Sinistro
4	1-34-577-013	1	MODELIDENTIFIKATIEPLAATJ, , STEYR
4	1-34-577-046	1	MODELIDENTIFIKATIEPLAATJ, , Forst/Forestry/Forestier/Skov/Forestale
4	1-34-577-047	1	DECAL, , Kommunal/Municipal/Municipal/Kommunal/Comunale
5			, ARBEITSSCHEINWERFER HINTEN/WORK LIGHTS REAR/PHARES DE TRAVAIL DERRIERE/ARBEJDSLYGTE BAGEST/PROIETTORE DI LAVORO POSTERIORE
6			, Heckspoiler/Rear spoiler/Spoiler à l'arrière/Hæk-spoiler/Alettone



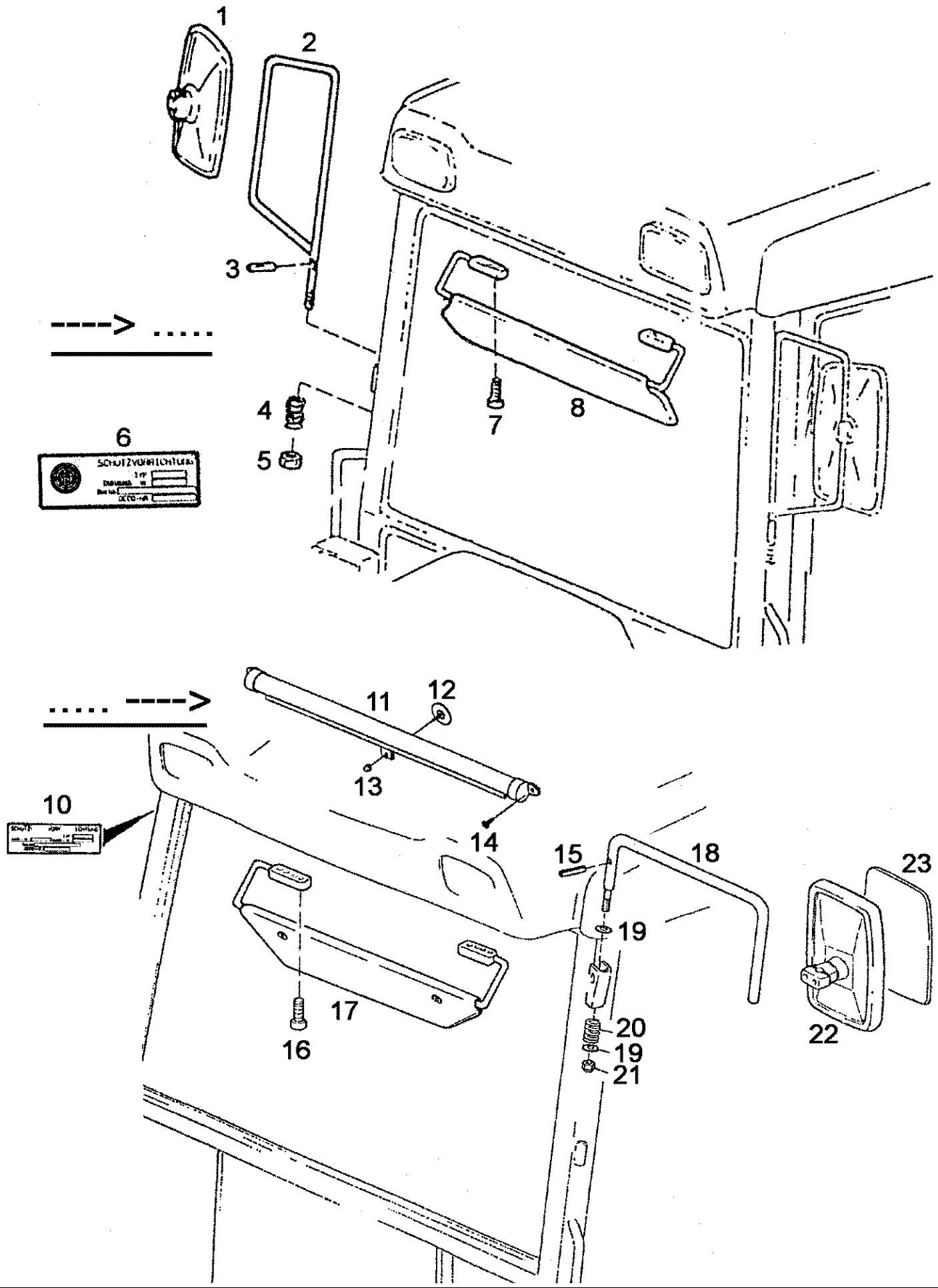
Ref	Onderdeelnummer	Kwt	Beschrijving
1	1-34-519-100	1	HARD DAK, , ----> .....
2	1-34-677-048	1	MODELIDENTIFIKATIEPLAATJ, , STEYR, Reflektierend/Reflective/Reflecteur/Reflekerende/Riflettente - Ersetzt/Replaces/Remplace/Udskiftet/Sostituisce 1-34-577-011, 1-34-577-012
2	1-34-677-050	1	DECAL, , Forst/Forestry/Forestier/Skov/Forestale - Reflektierend/Reflective/Reflecteur/Reflekerende/Riflettente
2	1-34-677-051	1	DECAL, , Kommunal/Municipal/Municipal/Kommunal/Comunale - Reflektierend/Reflective/Reflecteur/Reflekerende/Riflettente
3	190003936103	4	SLUITRING, , 8,4-140HV-A3C-DIN9021 ; ----> .....
4	825-1408	4	MOER, M8, CI 8,
5	1-34-519-106	1	LINING, ROOF, , Oben/Over/En 'haut/Ovenfor/Superiore, ----> .....
6	190003172950	2	KLINKNAGEL, , BG 1001
7	190003179043	1	DICHTINGSSTROOK, , l=3900mm
8	1-34-519-102	1	HOOFDDEKSEL, , Vorne/Front/Avant/Forrest/Anteriore, ----> .....
9	190003129481	1	DICHTING, RUBBER, , l=1500mm
10	1-34-519-160	1	HARD DAK, , Ersetzt/Replaces/Remplace/Udskiftet/Sostituisce 1-34-519-100, 1-34-519-150, ..... ---->
11	1-34-519-106	1	LINING, ROOF, , Braun/Brown/Marron/Brun/Marrone, ----> .....
11	1-34-519-110	1	LINING, ROOF, , Grau/Grey/Gris/Grå/Grigio, ..... ---->
12	190003930271	1	SCHIJF, , A10,5-140HV-A3C ; ..... ---->
13	190003172950	1	KLINKNAGEL, , BG1001, ---->.....
13	190003172953	1	KLINKNAGEL, , SW-9005, ..... ---->
14	1-34-519-451	1	HOOFDDEKSEL, , Braun/Brown/Marron/Brun/Marrone, Ersetzt/Replaces/Remplace/Udskiftet/Sostituisce 1-34-519-112, ----> .....
14	1-34-519-112	1	DEURBEKLEDING, , Grau/Grey/Gris/Grå/Grigio, ..... ---->



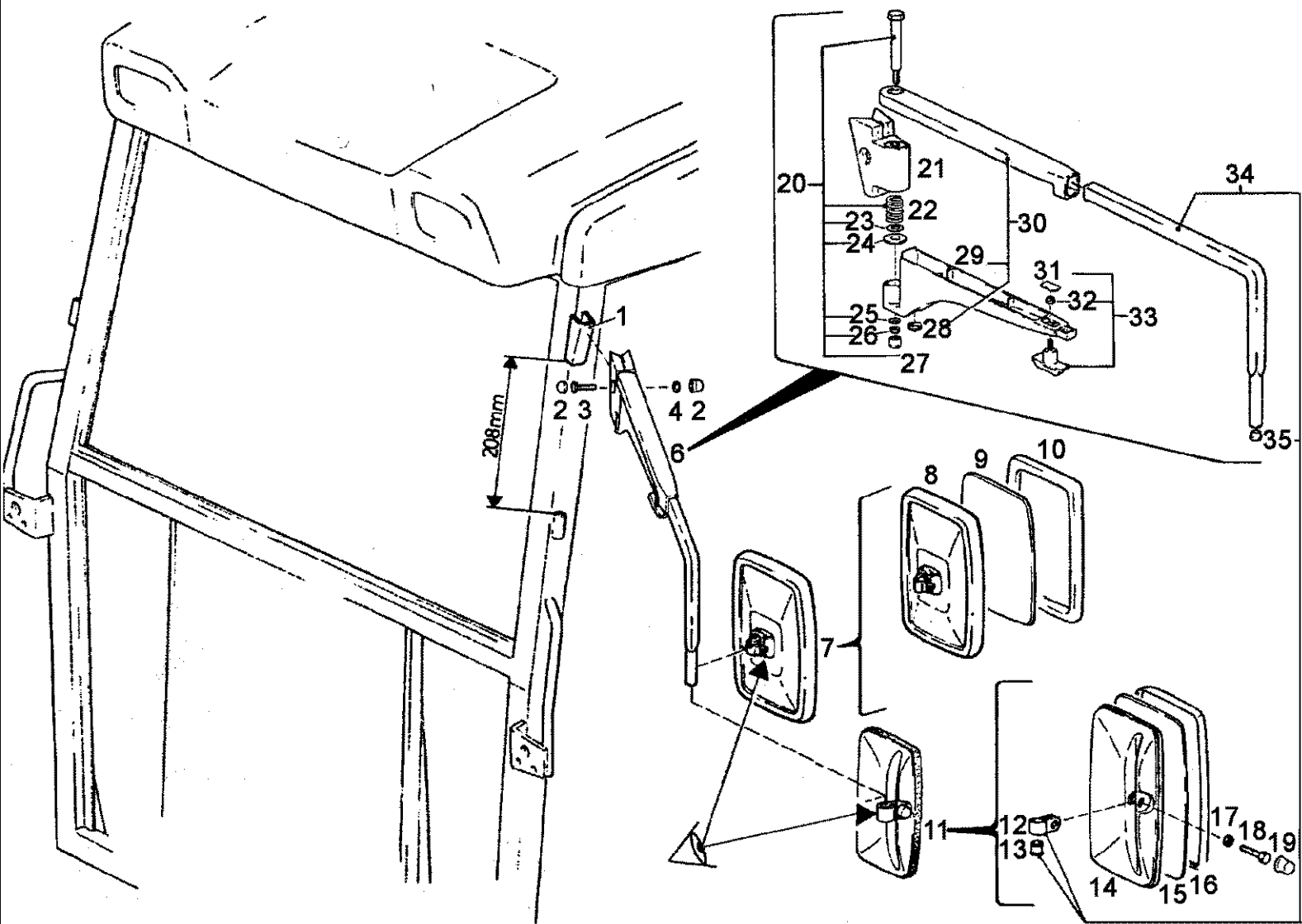
## 955 STEYR TRACTOR (2/92-6/97) - Chassis

## 09B-06(01) ROOF, HIGH

Ref	Onderdeelnummer	Kwt	Beschrijving
1	1-34-519-210	1	HARD DAK, , Ersetzt/Replaces/Remplace/Udskiftet/Sostituisce 1-34-519-200
1	1-34-519-315	1	HARD DAK, , Grün/GreenVert/Grøn/Verde
2	1-34-577-203	2	PRODUCTAFBEELDING,
2	1-34-577-207	2	PRODUCTAFBEELDING, , Forst/Forestry/Forestier/Skov/Forestale
2	1-34-577-208	2	DECAL, , Kommunal/Municipal/Municipal/Kommunal/Comunale
3	1-34-577-022	4	DECAL, , Hinten/Rear/Derrière/Bagest/Posteriore
4	1-34-577-013	1	MODELIDENTIFIKATIEPLAATJ, , STEYR
4	1-34-577-046	1	MODELIDENTIFIKATIEPLAATJ, , Forst/Forestry/Forestier/Skov/Forestale
4	1-34-577-047	1	DECAL, , Kommunal/Municipal/Municipal/Kommunal/Comunale
5	1-34-677-048	1	MODELIDENTIFIKATIEPLAATJ, , STEYR, Reflektierend/Reflective/Reflecteur/Reflekerende/Riflettente - Ersetzt/Replaces/Remplace/Udskiftet/Sostituisce 1-34-577-011, 1-34-577-012
5	1-34-677-050	1	DECAL, , Forst/Forestry/Forestier/Skov/Forestale - Reflektierend/Reflective/Reflecteur/Reflekerende/Riflettente
5	1-34-677-051	1	DECAL, , Kommunal/Municipal/Municipal/Kommunal/Comunale - Reflektierend/Reflective/Reflecteur/Reflekerende/Riflettente
6	1-34-519-203	1	DEURBEKLEDING, , Rechts/Right/Droite/Højre/Destra
7	190003936103	4	SLUITRING, , 8,4-140HV-A3C-DIN9021
8	825-1408	4	MOER, M8, CI 8,
9	1-34-577-035	4	DECAL, , Rechts/Right/Droite/Højre/Destra, DUO
10	1-34-577-036	1	PLAAT, GROOT, , Links/Left/Gauche/Venstre/Sinistro, DUO
11	1-34-519-205	1	DEURBEKLEDING, , Hinten/Rear/Derrière/Bagest/Posteriore
12	1-34-519-206	1	LINING, ROOF, , Oben/Over/En 'haut/Ovenfor/Superiore
13	190003172950	20	KLINKNAGEL,
14	190003179043	1	DICHTINGSSTROOK, , l=3900mm
15	1-34-519-204	1	DEURBEKLEDING, , Links/Left/Gauche/Venstre/Sinistro
16	1-34-519-202	1	LINK, , ----> ....., Vorne/Front/Avant/Forrest/Anteriore
17	1-34-519-207	1	DEURBEKLEDING, , ..... ---->, Vorne/Front/Avant/Forrest/Anteriore
18	190003179066	1	PROFIEL, , l=700mm
19	190003129481	1	DICHTING, RUBBER,
20		1	, ARBEITSSCHEINWERFER HINTEN/WORK LIGHTS REAR/PHARES DE TRAVAIL DERRIERE/ARBEJDSLYGTE BAGEST/PROIETTORE DI LAVORO POSTERIORE
21		1	, Heckspoiler/Rear spoiler/Spoiler à l'arrière/Hæk-spoiler/Alettone

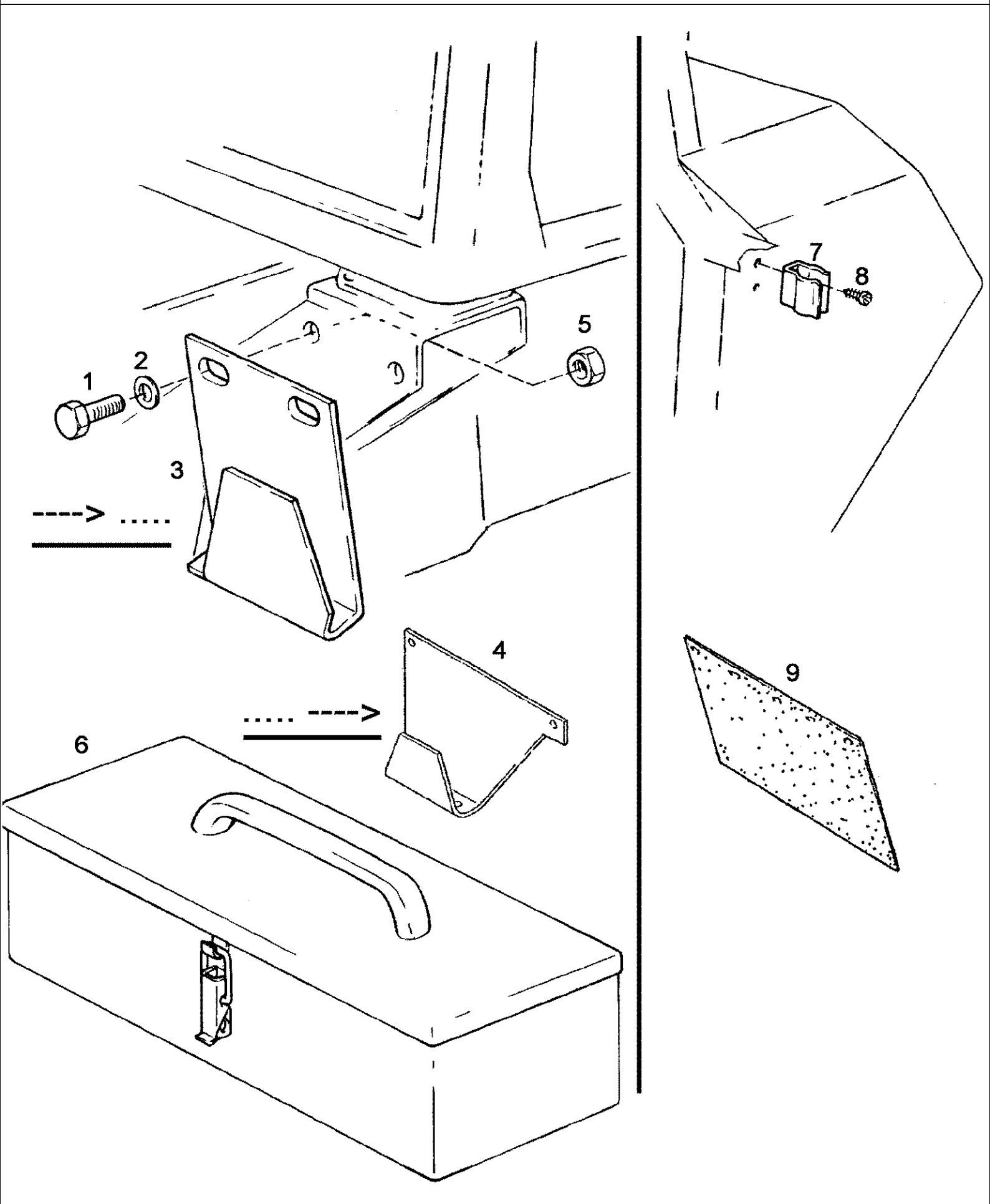


Ref	Onderdeelnummer	Kwt	Beschrijving
1	193770100	2	MIRROR, , ----> .....
2	1-34-577-101	2	STANG, , ----> .....
3	190003909614	2	SPANSTIFT, , 4x20, ----> .....
4	1190250028	2	SPRING, COMPRESSION, , ----> .....
5	190003888452	2	MOER, , VM10-8, ----> .....
6	1-34-577-332	1	IDENTIFICATIEPLAAT, , ----> .....
7	190003822262	4	SCHROEF, , M5X25-4.8-A2C, ----> .....
8	1-34-677-004	1	VISOR, SUN, , ----> .....
10	1-34-577-358	1	MODELIDENTIFIKATIEPLAATJ, , ..... ---->
11	340840A1	1	VISOR, SUN, , Hopfenkabine/Hops cab/Cabine à houblon/Humlekabine/Cabina da luppolo, ..... ---->
12	340841A1	1	WASHER, RUBBER, , ..... ---->
13	340842A1	1	MOER, , ..... ---->
14	190003843141	2	ZELFTAPPENDE SCHROEF, Cross Pan Hd, M4.2 x 16, , ST4,2x16 ; ..... ---->
15	190003909631	2	SPANSTIFT, , 6X30, ..... ---->
16	190003822262	4	SCHROEF, , M5X25-4.8-A2C, ..... ---->
17	1-34-577-310	1	VISOR, SUN, , Ersetzt/Replaces/Remplace/Udskiftet/Sostituisce 1-34-577-100, ..... ---->
18	1-34-577-212	2	STANG, , ..... ---->
19	190003930282	2/2	SCHIJF, , A13, ..... ---->
20	180570055	2	SPRING, COMPRESSION, , ..... ---->
21	100038	2	NUT, LOCK, M12 x 1.75, CI 8, ..... ---->
22	1-34-577-215	2	MIRROR ASSY., , Einschließlich/Includes/Avec/Inklusive/Compreso 23, Komplett/Complete/Compleet/Komplet/Completo - ..... ---->
23	299652A1	2	ACHTERUITKIJKSPIEGEL, , ..... ---->

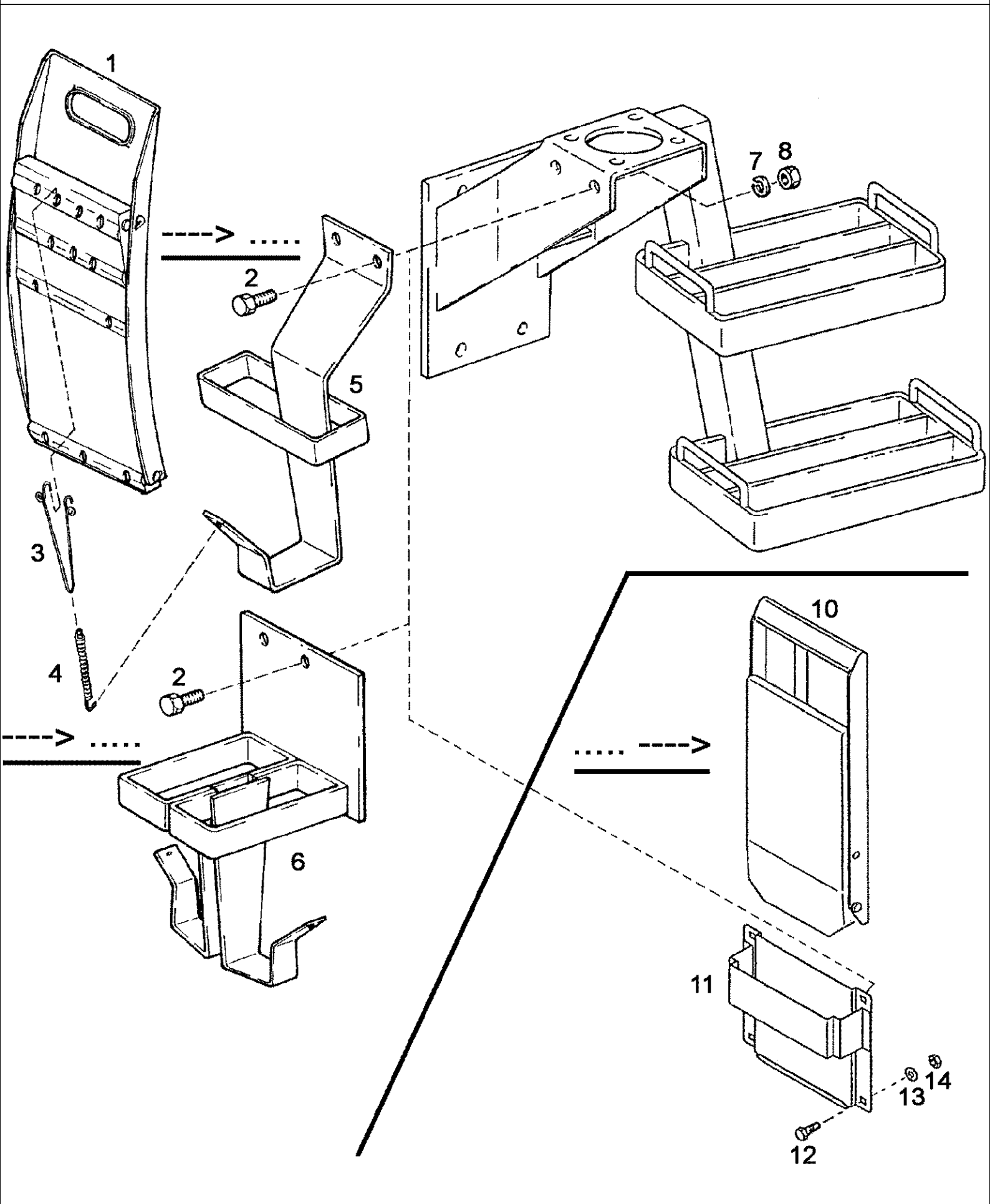




Ref	Onderdeelnummer	Kwt	Beschrijving
1	1-34-518-003	2	HOUDER,
2	5126232	4	BEKLEDING, , M10-PE-SW
3	190003802538	2	SCHROEF, , M10x40-8.8
3	190003802542	2	SCHROEF, , M10x45-8.8-A3C
4	100016	2	MOER, M10, CI 8,
6	1-34-577-027	2	STANG, , Besteht aus/Consists of/Compose de/Bestående af/È composto da 20 - 35
7	1-34-177-178	2	SPIEGEL, LINKS, , Komplett/Complete/Compleet/Komplet/Completo - Besteht aus/Consists of/Compose de/Bestående af/È composto da 8 - 10
8	NSS	2	NIET ALLEEN VERKRIJGBAAR,
9	1-34-777-002	2	VENSTER,
10	1-34-777-003	2	SIERPLAAT,
11	1-34-677-017	2	SPIEGEL, LINKS, , Besteht aus/Consists of/Compose de/Bestående af/È composto da 12 - 19
12	1-34-777-033	2	CLAMP,
13	1-34-777-034	2	LAGER,KOPPELING DRUKPLAA,
14	NSS	2	NIET ALLEEN VERKRIJGBAAR,
15	1-34-777-042	2	VENSTER,
16	1-34-777-043	2	RAAM,
17	896-11008	2	SLUITRING, M8 x 17.5 x 2, HT, , 8,4-140HV-A3C
18	190003802451	2	SCHROEF, Hex, M8 x 50, 8.8, , M8x50-8.8-A2C
19	1-34-777-035	2	BESCHERMDEKSEL,
20	1-34-777-051	2	KIT, , Einschließlich/Includes/Avec/Inklusive/Compreso 22 - 27
21	1-34-777-052	2	BASIS,
22	1-34-777-014	2	SPRING, COMPRESSION,
23	1-34-777-016	2	SLUITRING,
24	190003932633	2	SLUITRING, , R11-100HV-A3C
25	190003930261	2	SLUITRING, , M5X25-4.8-A2C
26	190003888722	4	MOER, , M8-8
27	1-34-777-011	2	CLAMP BRACKET,
28	1-34-777-010	2	KABELDOORGANG,
29	1-34-777-017	2	GELEIDER,
30	1-34-777-048	2	GELEIDER, , Einschließlich/Includes/Avec/Inklusive/Compreso 28, 29
31	1-34-777-015	2	HENDEL,
33	1-34-777-050	2	MOUNTING, , Einschließlich/Includes/Avec/Inklusive/Compreso 31, 32
34	1-34-777-049	2	BUISJE, , Einschließlich/Includes/Avec/Inklusive/Compreso 35
35	1-34-777-013	2	FAIRING, LIGHT,

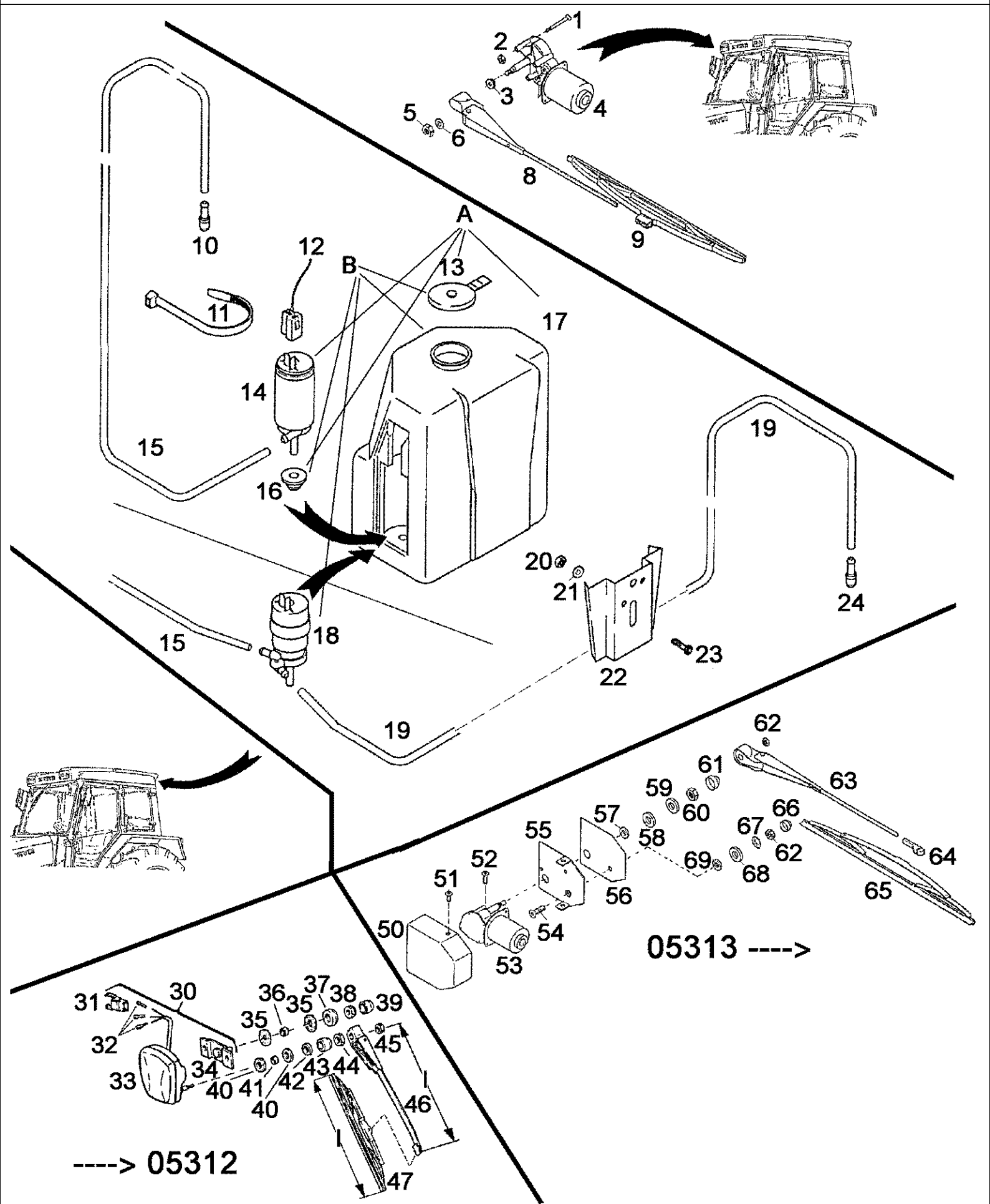


Ref	Onderdeelnummer	Kwt	Beschrijving
1	11106231	1	BOUT, Hex, M10 x 25, 10.9, Full Thd, , M10x25-8.8-A3C
2	190003930271	1	SCHIJF, , A10,5-140HV-A3C
3	1-34-528-005	1	BOW, , ----> ....., Ersetzt/Replaces/Remplace/Udskiftet/Sostituisce 1-34-528-001
4	1-34-528-007	1	HOUDER, , ..... ---->, Ersetzt/Replaces/Remplace/Udskiftet/Sostituisce 1-34-528-010
5	100016	1	MOER, M10, CI 8,
6	1-34-128-050	1	GEREEDSCHAPSKIST,
7	199100860001	1	VEERKLEM,
8	190003840014	2	SCHROEF, , ST4,2x13-K-A3C
9	116100232061	2	MUDFLAP,



## 09B-10(01) WEDGE

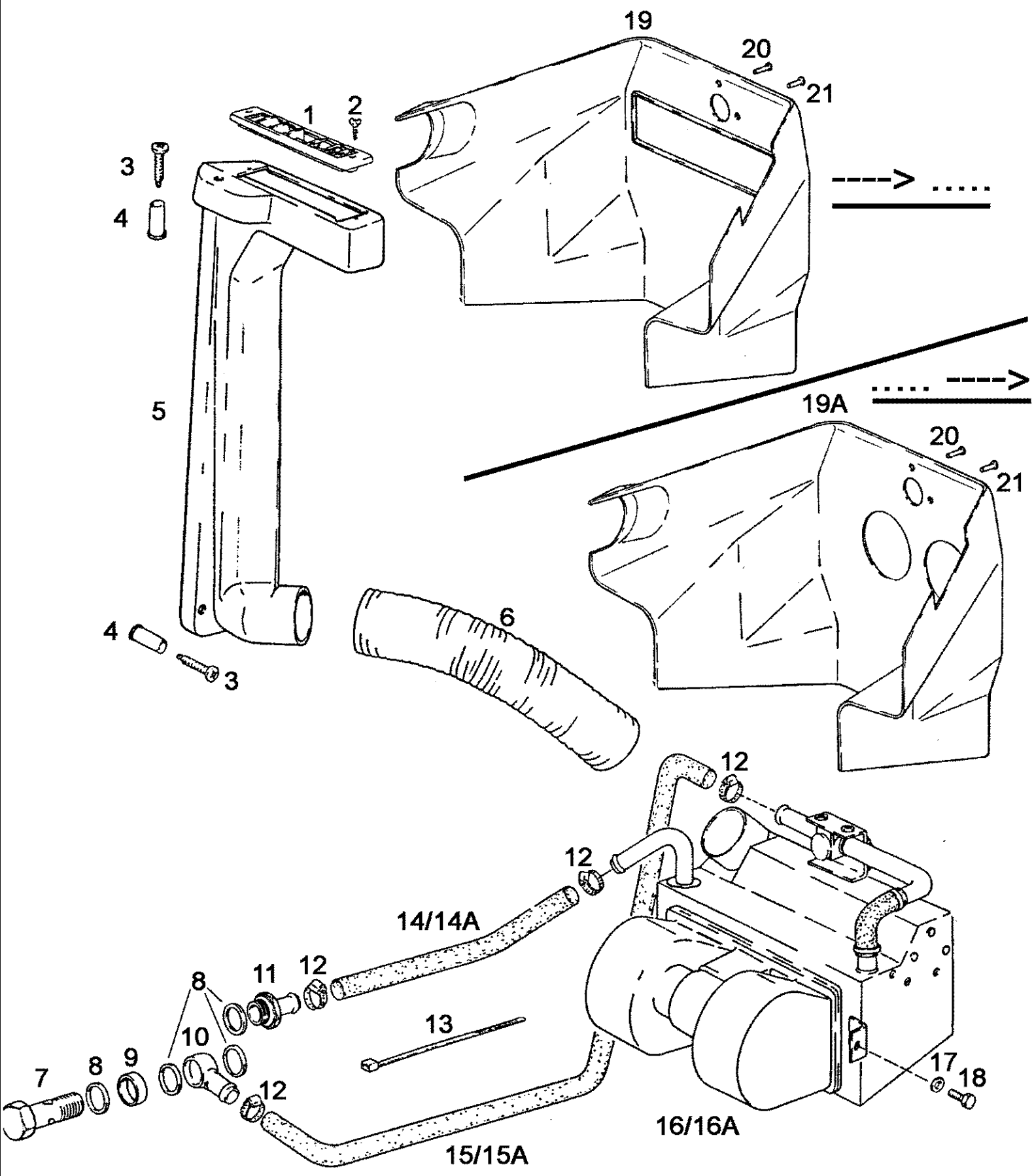
Ref	Onderdeelnummer	Kwt	Beschrijving
1	1-34-187-001	1	REMSCHOEN, , ----> .....
2	11106231	2	BOUT, Hex, M10 x 25, 10.9, Full Thd, , M10x25-8.8-A3C - ----> .....
3	1192760015	1	VEER, , ----> .....
4	1288760038	1	SPRING, TENSION, , ST4,2x13-K-A3C - ----> .....
5	1-34-187-010	1	HOUDER, , ----> .....
6	1-34-587-001	1	HOUDER, , ----> .....
7	190003931122	2	BORGRING, , A10-FST-A3C
8	100016	2	MOER, M10, CI 8,
10	1-34-587-003	1	WEDGE, , ..... ---->
11	1-34-587-002	1	STEUNBEUGEL, , ..... ---->
12	16043224	4	BOUT, Hex, M8 x 16, 8.8, Full Thd, ..... ---->
13	190003936103	4	SLUITRING, , 8,4-140HV-A3C-DIN9021 ; ..... ---->
14	825-1408	4	MOER, M8, CI 8, ..... ---->



Ref	Onderdeelnummer	Kwt	Beschrijving
A	1-40-171-024	1	CONTAINER, , Einfach/Single/Simple/Enkelt/Semplice - Besteht aus/Consists of/Compose de/Bestående af/È composto da 13, 14, 16, 17
B	1-40-171-025	1	PUMP, , Doppelt/Double/Double/Dobbelt/A doppio - Besteht aus/Consists of/Compose de/Bestående af/È composto da 13, 16 - 18
1	190003800255	2	SCHROEF, , M5x55-8.8
2	825-1408	1	MOER, M8, CI 8,
3	1-34-174-015	1	SCHIJF,
4	1-34-574-015	1	MOTOR, RUITENWISSER, , Vorne/Front/Avant/Forrest/Anteriore - Ersetzt/Replaces/Remplace/Udskiftet/Sostituisce 1-34-574-004 - Siehe Kapitel 04/See chapter 04/Voir chapitre 04/Se kapitel 04/Vedere capitolo 04
5	1-34-174-016	1	MOER,
6	190003930301	1	SLUITRING, , A17-140HV-A3C
8	1-34-174-010	1	ARM,VAN RUITENWISSER,
9	1-34-674-006	1	RUITENWISSERBLAD,
10	115020770005	1	SPROEIER, , Vorne/Front/Avant/Forrest/Anteriore
11	190003171715	5	SPANHULS, , A2,5x100 / K01
12	199014770058	1	AANSLUITING, , M10 ; 2-Polig / 2-pole / À 2 pôle / 2-polet / 2 polo ; Leitung/Cable/Ligne/Ydelse/Condotto - Siehe Kapitel 04/See chapter 04/Voir chapitre 04/Se kapitel 04/Vedere capitolo 04
13	1-40-171-027	1	CAP, FILLER, , Ersetzt/Replaces/Remplace/Udskiftet/Sostituisce 133700710243
14	1-40-171-026	1	PUMP, , Einfach/Single/Simple/Enkelt/Semplice
15	190003179811	X	FLEXIBELE SLANG, , Länge/Length/Longuer/Længde/Lunghezza = 4100mm
16	133700710244	1	MOF, RUBBER,
17	133700710239	1	CONTAINER,
18	1-40-171-028	1	PUMP, , Doppelt/Double/Double/Dobbelt/A doppio
19	190003179811	X	FLEXIBELE SLANG, , Länge/Length/Longuer/Længde/Lunghezza = 6m
20	15896221	2	MOER, M6, CI 10, , M6-8-A2C, DIN934
21	190003930251	4	SCHIJF, , A6,4-140HV-A3C
22	133700710242	1	CONTAINER,
23	86508568	2	BOUT, Hex, M6 x 16, 8.8,
24	1-34-586-003	1	SPROEIER, , Hinten/Rear/Derrière/Bagest/Posteriore
30	1-34-574-001	1	INZETSTUK, , Besteht aus/Consists of/Compose de/Bestående af/È composto da 31 - 34 / ----> .....
31	1-40-177-019	1	CONTACTDOOS, , N47 ; ----> .....
32	1-40-177-020	3	VERBINDING, , F20 ; ----> .....
33	1-34-174-070	1	MOTOR, RUITENWISSER, , ----> .....
34	1-34-574-002	1	BAIL, , ----> .....
35	1-34-135-064	2	SLUITRING,
36	1-99-960-005	1	LAGERBUS,
37	1-34-135-065	1	SLUITRING,
38	43362	1	MOER, M8, CI 10, ZNPHR3F / ----> .....
39	190003179544	1	AFSCHEMKAP, , M8-PE-SW

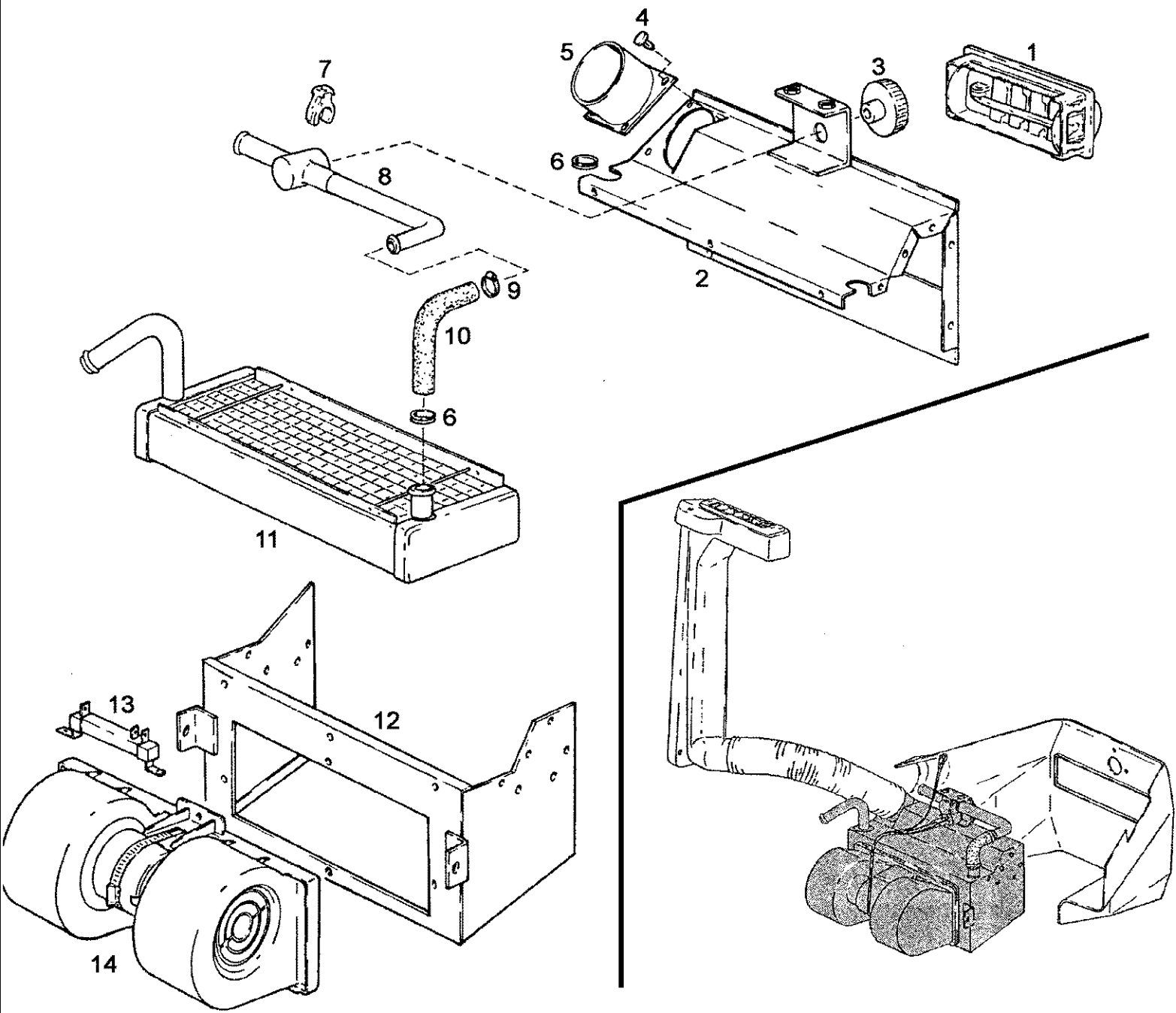
Ref	Onderdeelnummer	Kwt	Beschrijving
40	1-99-968-019	2	DICHTRING, , ----> .....
41	1-99-960-020	1	LAGERBUS, , ----> .....
42	1-34-174-074	1	SCHIJF, , ----> .....
43	1-34-174-073	1	RESERVOIRDOP, , ----> .....
44	1-34-174-077	1	MOER, , ----> .....
45	15896221	1	MOER, M6, CI 10, , M6-8-A2C, DIN934
46	1-34-174-081	1	WIPER ARM, , ----> 05312
47	1-34-174-082	1	BLADE, WIPER, , l=340mm
50	1-34-535-001	1	COVER, PROTECTIVE,
51	190003179530	2	KLINKNAGEL, , 5x7.5-POM-SW
52	190003825309	2	SCHROEF, , M6x10-4.8-A2C
53	1-34-674-004	1	MOTOR, RUITENWISSER, , Hinten/Rear/Derrière/Bagest/Posteriore - Ersetzt/Replaces/Remplace/Udskiftet/Sostituisce 1-34-574-001 - Siehe Kapitel 04/See chapter 04/Voir chapitre 04/Se kapitel 04/Vedere capitolo 04
54	190003825429	1	SCHROEF, , M8x25-4.8-A2C
55	1-34-535-004	1	PLAAT,
56	1-34-535-003	1	RUBBEREN LAGERKUSSEN,
57	1-99-960-020	1	LAGERBUS,
58	1-34-674-016	2	SLUITRING,
59	1-34-674-015	2	SLUITRING,
60	1-34-174-016	2	MOER, , M16x1
61	1-34-674-017	1	BESCHERMDEKSEL,
62	43362	3	MOER, M8, CI 10,
63	1-34-674-010	1	ARM,VAN RUITENWISSER, , ..... ---->
64	1-34-574-020	1	CLAMP, , ..... ---->
65	1-34-174-082	1	BLADE, WIPER, , a=340mm
66	190003179544	1	AFSCHERMKAP, , M8
67	1-34-135-065	1	SLUITRING,
68	1-34-135-064	1	SLUITRING,
69	1-99-960-005	1	LAGERBUS,



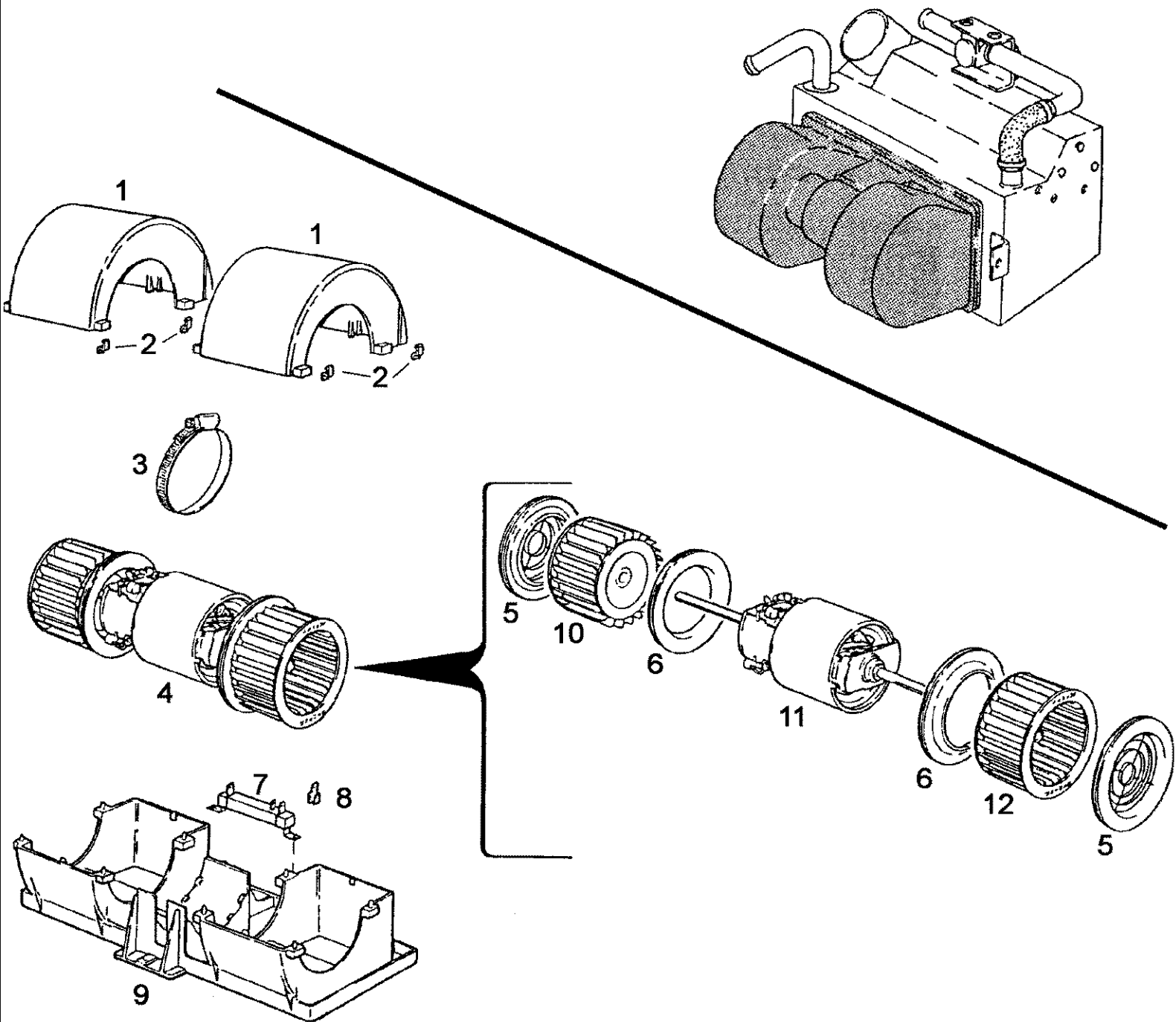


## 09B-12(01) HEATER INSTALLATION

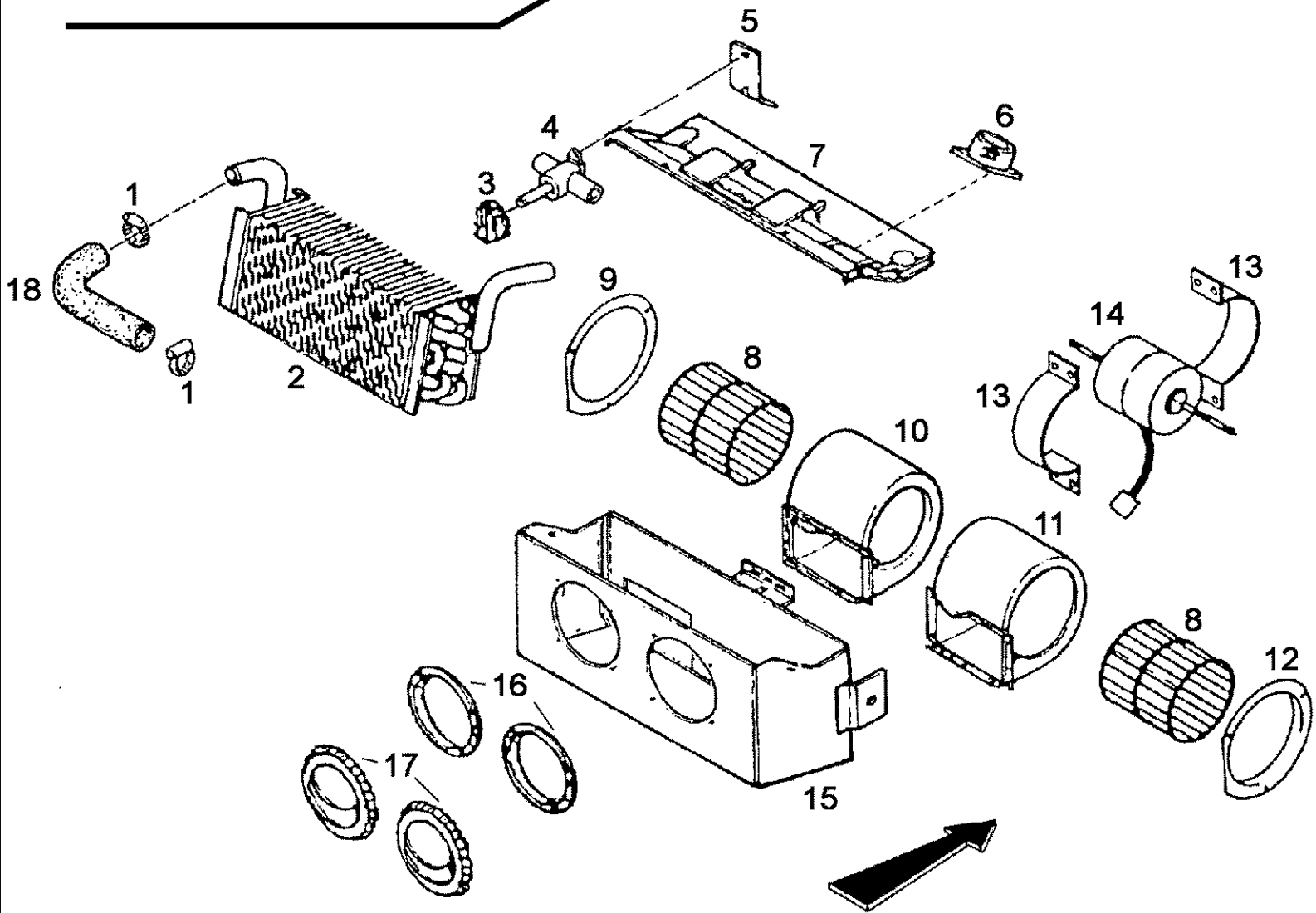
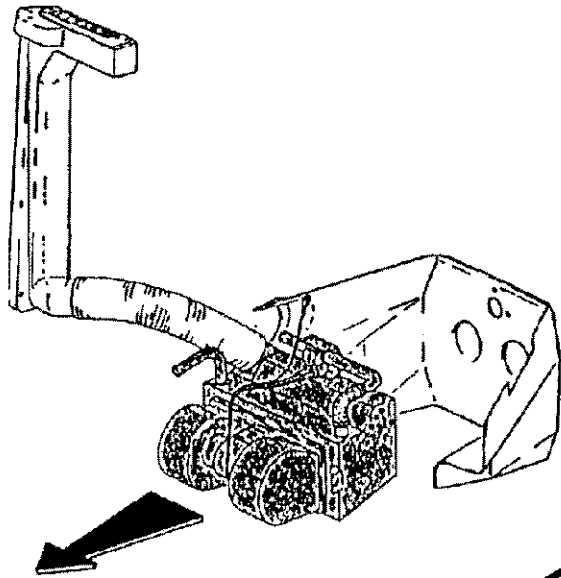
Ref	Onderdeelnummer	Kwt	Beschrijving
1	1-34-184-111	1	SPROEIER,
2	190003844712	2	ZELFTAPPENDE SCHROEF, Cross Csk Hd, M3.5 x 19, , ST3,5x19-C-H-A3R
3	190003840039	2	SCHROEF, , ST4,2x38-C-H-A3R
4	1-99-942-065	2	AFSTANDSRING,
5	1-34-584-115	1	ONTLUCHTER, , Ersetzt/Replaces/Remplace/Udskiftet/Sostituisce 1-34-584-110
6	1-34-584-019	1	AIR FLEXIBLE,
7	190003962644	1	VIJZELSCHROEF, , 18-S
8	190003098026	1/3	DICHTINGSRING, , A22x27-CU
9	130100130043	1	AFSTANDSRING,
10	130100130039	1	VERBINDINGSBOUT,
11	130100060009	1	FITTING,
12	190003982001	4	CLAMP, , 16/25-A3C
13	190003171697	4	BEVESTIGINGSKLEM, , A5x180 / K02
14	1-34-584-017	1	FLEXIBELE BUIS, , ----> ..... / l=520mm
14A	1-34-584-025	1	FLEXIBELE BUIS, , ..... ----> / l=1120mm
15	1-34-584-018	1	FLEXIBELE BUIS, , ----> ..... / l=1320mm
15A	1-34-584-026	1	FLEXIBELE BUIS, , ..... ----> / l=800mm
16	1-34-584-100	1	VERWARMER, , ----> ..... / Siehe nächste Seite(n)/See next page(s)/Voir page(s) suivante(s)/Se næste side(r)/Vedere pagin(a/e) seguent(e/i)
16A	1-34-584-400	1	VERWARMER, , ..... ----> / Siehe nächste Seite(n)/See next page(s)/Voir page(s) suivante(s)/Se næste side(r)/Vedere pagin(a/e) seguent(e/i)
17	190003937279	4	SCHIJF, , 7-ST-A3C
18	190003820005	2	SCHROEF, , M6x16-4.8-H-BN
19	1-34-584-106	1	SHROUD ASSY., , ----> .....
19A	1-34-584-401	1	LINING, , ..... ---->
20	190003172961	1	PEN, , 6,1x14,3-RT
21	190003172962	1	PEN, , 6,1x14,3-BL



Ref	Onderdeelnummer	Kwt	Beschrijving
-	1-34-584-100	1	VERWARMER, , ----> ..... / Besteht aus/Consists of/Compose de/Bestående af/È composto da 1 - 14
1	1-34-784-706	1	SPROEIER,
2	1-34-784-702	1	HUIS,
3	1-34-784-073	1	KNAP,
4	1-34-784-041	1	KLINKNAGEL,
5	1-34-784-040	1	FITTING,
6	190003129049	2	KABELDOORGANG, , 22x2
7	1-34-784-035	1	CLIP, ELECTRICAL,
8	1-34-784-704	1	KRAAN,
9	190003982001	1	CLAMP, , 16/25-A3C
10	1-34-784-708	1	FLEXIBELE BUIS,
11	1-34-784-703	1	HEAT-EXCHANGER,
12	1-34-784-701	1	HUIS,
13	1-34-784-087	1	WEERSTAND,
14	1-34-784-036	1	BLAZER, , Siehe nächste Seite(n)/See next page(s)/Voir page(s) suivante(s)/Se næste side(r)/Vedere pagin(a/e) seguent(e/i)

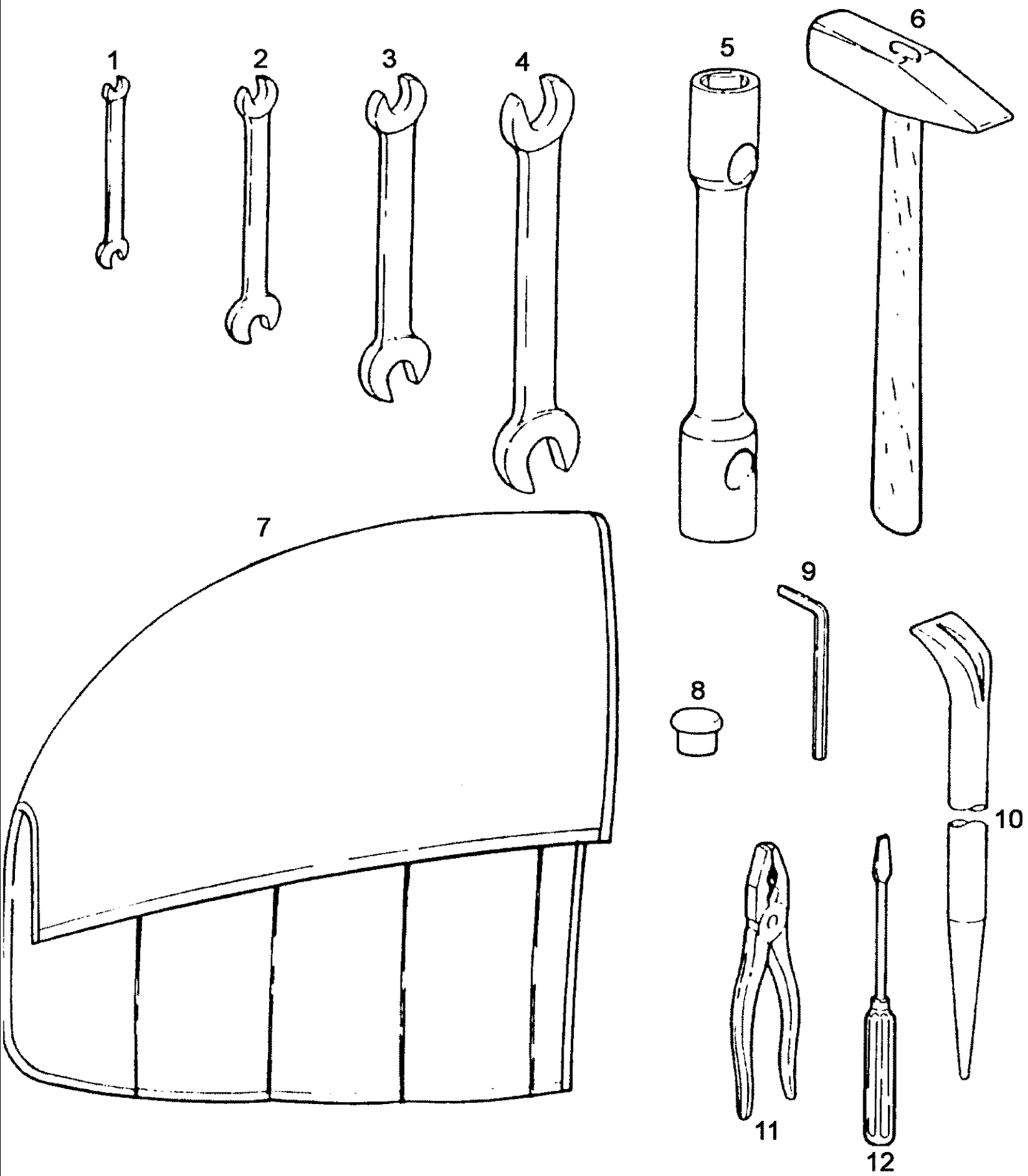


Ref	Onderdeelnummer	Kwt	Beschrijving
-	1-34-784-036	1	BLAZER, , Komplett/Complete/Compleet/Komplet/Completo - Besteht aus/Consists of/Compose de/Bestående af/È composto da 1 - 12
1	1-34-784-043	2	COVER,
2	1-34-784-052	4	KLEM,
3	1-34-784-049	1	CLAMP,
4	1-34-784-048	1	SET, , Besteht aus/Consists of/Compose de/Bestående af/È composto da 5, 6, 10 - 12
5	1-34-784-045	2	EINDAANSLUITING,
6	1-34-784-044	2	EINDAANSLUITING,
7	1-34-784-087	1	WEERSTAND,
8	1-34-784-051	1	VERBINDING,
9	1-34-784-042	1	BLAZER, , Unterteil/Lower part/Partie inférieure/Underpart/Parte inferiore
10	NSS	1	NIET ALLEEN VERKRIJGBAAR,
11	NSS	1	NIET ALLEEN VERKRIJGBAAR,
12	NSS	1	NIET ALLEEN VERKRIJGBAAR,

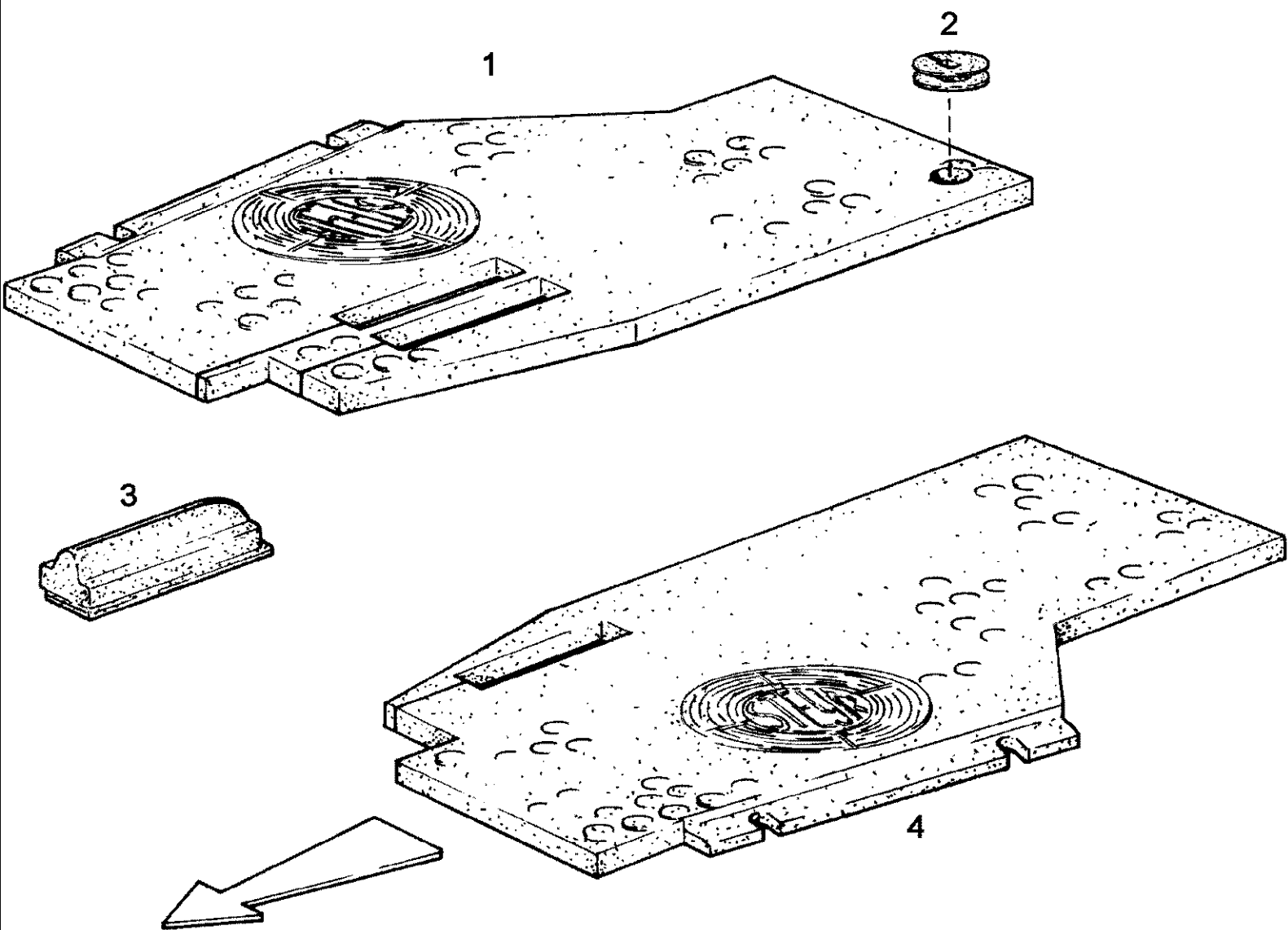


Ref	Onderdeelnummer	Kwt	Beschrijving
-	1-34-584-400	1	VERWARMER, , Besteht aus/Consists of/Compose de/Bestående af/È composto da 1 - 15, 18 / Ersetzt/Replaces/Remplace/Udskiftet/Sostituisce 1-34-584-100
1	1-34-784-716	2	CLAMP,
2	1-34-784-718	1	HEAT-EXCHANGER,
3	1-34-784-711	2	KNAP,
-	190003844017	8	SCHROEF, , B3,5x9,5-A3C
4	1-34-784-712	4	KRAAN,
5	1-34-784-726	1	GUIDE, LEVERS,
6	1-34-784-715	1	BUISJE,
7	1-34-784-727	1	SHEET,
8	1-34-784-721	2	PIGNON,
9	1-34-784-723	1	BUSHING, LARGE, , Links/Left/Gauche/Venstre/Sinistro
10	1-34-784-725	1	HUIS, , Links/Left/Gauche/Venstre/Sinistro
11	1-34-784-724	1	HUIS, , Rechts/Right/Droite/Højre/Destra
12	1-34-784-722	1	BUSHING, LARGE, , Rechts/Right/Droite/Højre/Destra
13	1-34-784-719	2	BEVESTIGINGSKLEM,
14	1-34-784-134	1	ELEKTRISCHE MOTOR,
15	1-34-784-728	1	HUIS,
16	1-34-684-124	2	VERBINDING,
17	1-34-684-126	2	VERSTUIVER,
18	1-34-784-717	1	FLEXIBELE BUIS,

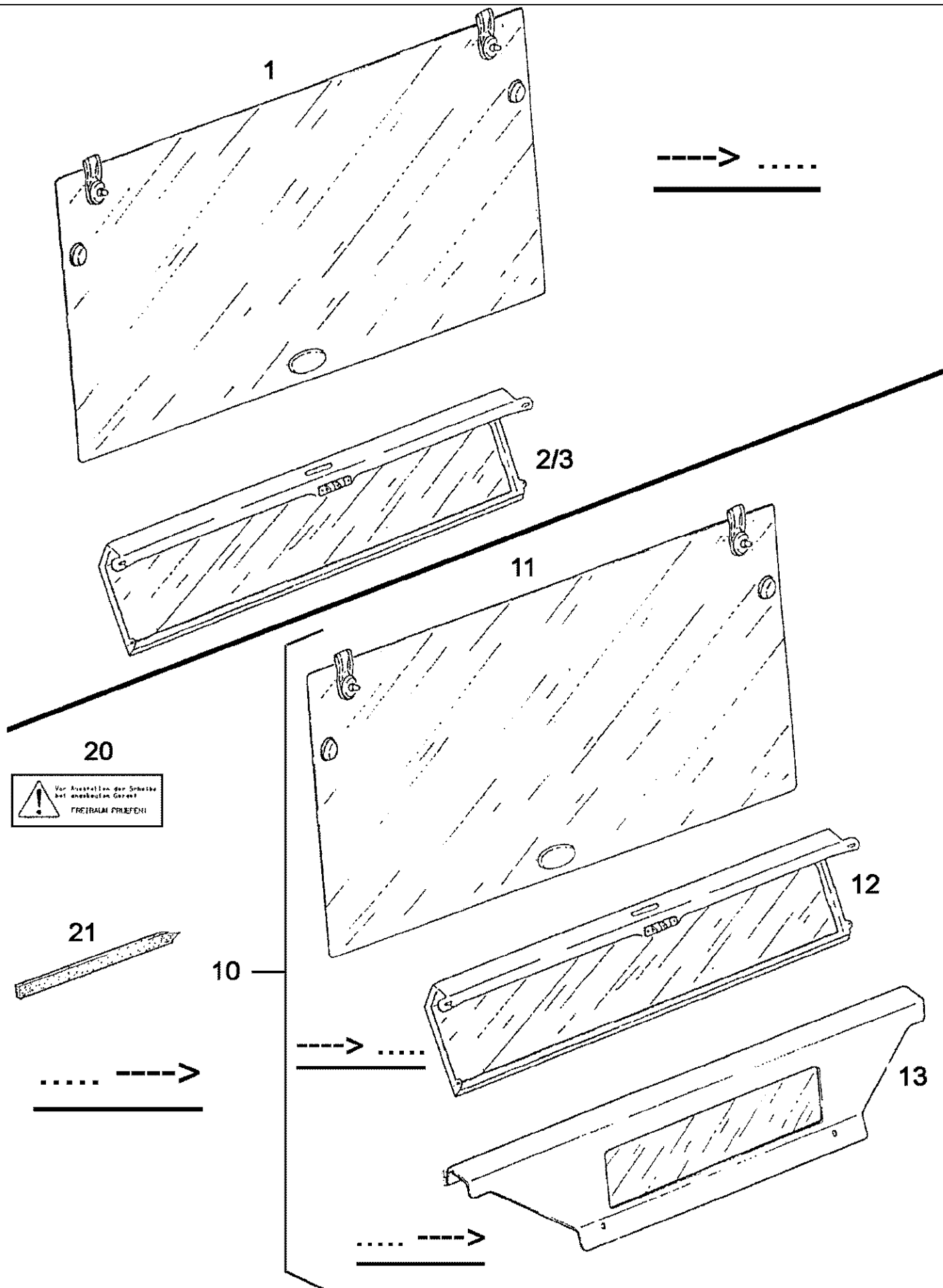




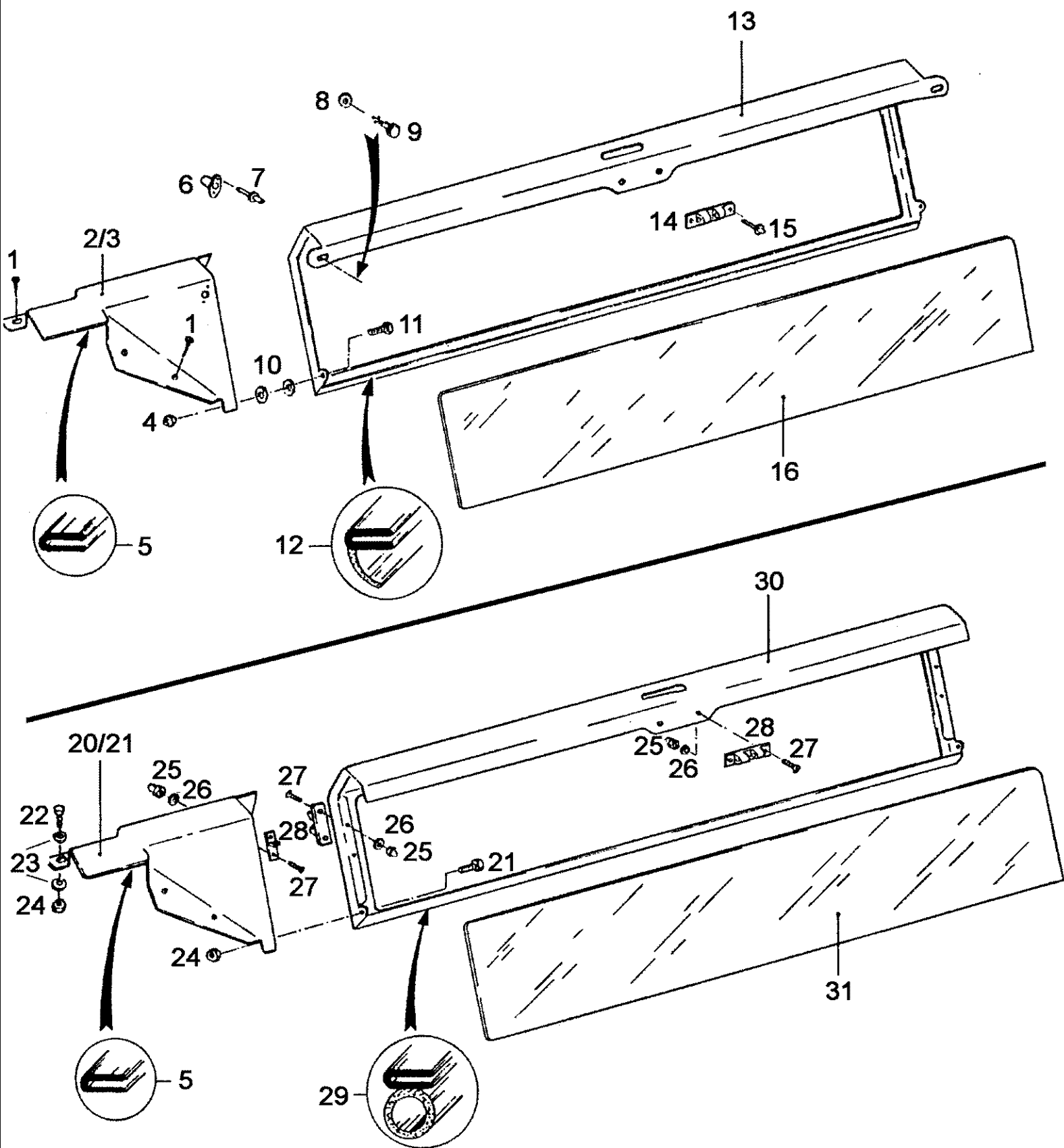
Ref	Onderdeelnummer	Kwt	Beschrijving
1	190003581285	1	KRUISSLEUTEL, , 8x10
2	190003589414	1	KRUISSLEUTEL, , 13x17
3	190003581290	1	KRUISSLEUTEL, , 19x22
4	190003581292	1	KRUISSLEUTEL, , 24x27
5	1292850002	1	SLEUTEL, , 955/A - 28/24
5	1292850003	1	SLEUTEL, , 964/A, 970A - 28/20
6	190003580085	1	HAMER, , 500S
7	133700860002	1	GEREEDSCHAPES,
8	199000520096	24	FAIRING, LIGHT,
8	190003171696	1	PLUG, , A15,6x8
8	190003171869	14	PLUG, , A14,6x5,5
8	190003170479	29	PLUG, , A12,3x7
8	190003171877	3	PLUG, , A10,4x5,5
8	190003170479	4	PLUG, , A12,3x7
9	190003589462	1	TOOL, , 10
10	11700850018	1	PIGNON,
11	190003582489	1	PINCERS, , 160
12	190003582486	1	SCHROEVEDRAAIER, , A1,0x5,5



Ref	Onderdeelnummer	Kwt	Beschrijving
1	1-34-562-007	1	MAT, FLOOR, , Rechts/Right/Droite/Højre/Destra
2	1-34-762-001	1	VERGRENDELING,
3	1-34-562-009	3	DICHTINGSSTUK,
4	1-34-562-008	1	MAT, FLOOR, , Links/Left/Gauche/Venstre/Sinistro

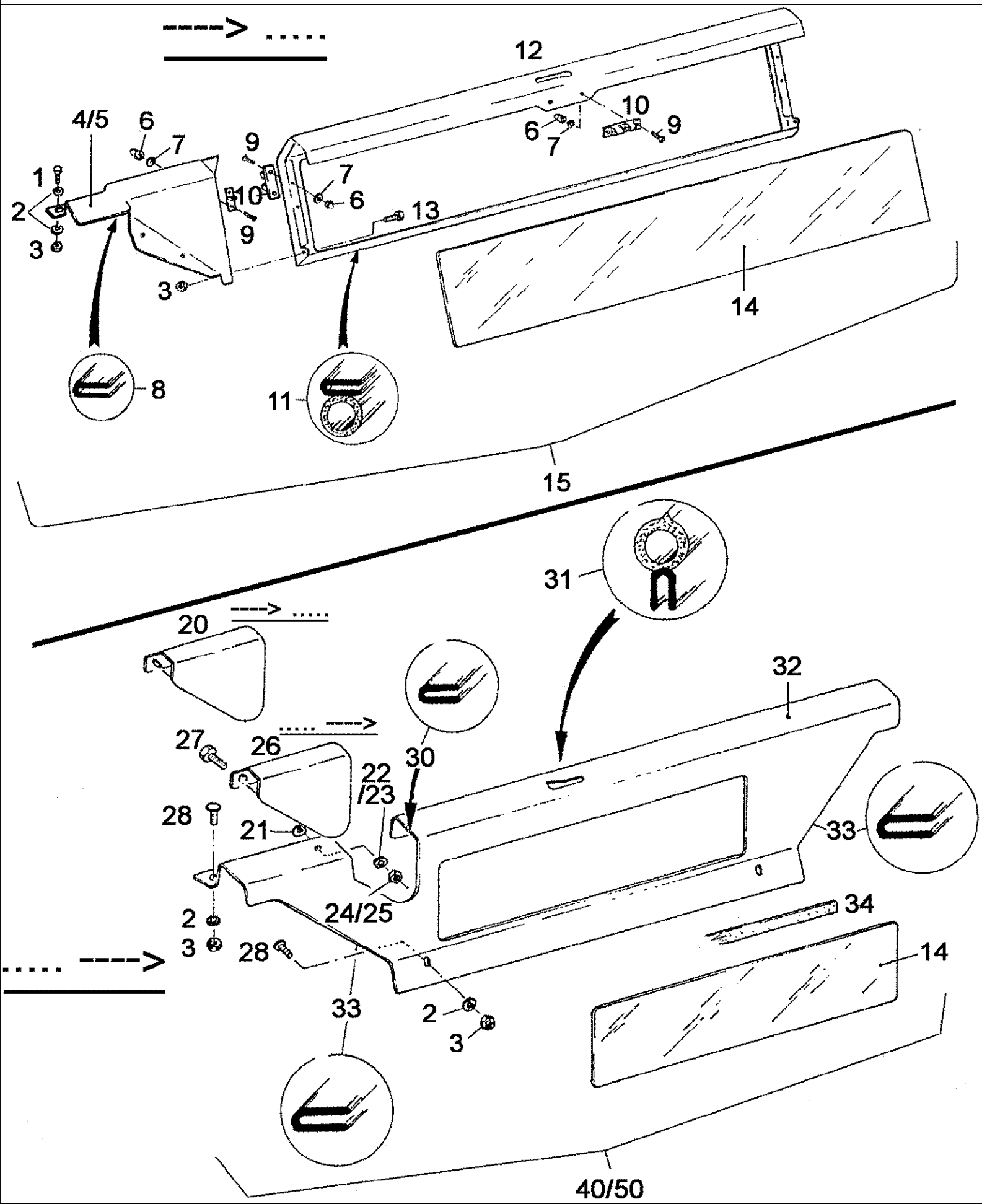


Ref	Onderdeelnummer	Kwt	Beschrijving
1	1-34-771-720	1	VENSTER, , ----> ..... / Ersetzt/Replaces/Remplace/Udskiftet/Sostituisce 1-34-568-005 - Siehe nächste Seite(n)/See next page(s)/Voir page(s) suivante(s)/Se næste side(r)/Vedere pagin(a/e) seguent(e/i)
2	1-34-702-910	1	HOUDER, , ----> .....
3	1-34-702-892	1	SHEET, , ..... ---->
10	1-34-568-305	1	WINDOW ASSY, ----> .....
10	1-34-568-315	1	WINDOW ASSY, , ..... ----> / Ersetzt/Replaces/Remplace/Udskiftet/Sostituisce 1-34-568-005, 1-34-703-140
11	1-34-703-140	1	VENSTER, , ..... ---->
12	1-34-703-146	1	HOUDER, , ----> ..... / Ersetzt/Replaces/Remplace/Udskiftet/Sostituisce 1-34-702-910, 1-34-702-892 - Siehe nächste Seite(n)/See next page(s)/Voir page(s) suivante(s)/Se næste side(r)/Vedere pagin(a/e) seguent(e/i)
13	1-34-703-164	1	SHEET, , ..... ----> / Ersetzt/Replaces/Remplace/Udskiftet/Sostituisce 1-34-702-910, 1-34-702-892, 1-34-703-146 - Siehe nächste Seite(n)/See next page(s)/Voir page(s) suivante(s)/Se næste side(r)/Vedere pagin(a/e) seguent(e/i)
20	1-34-577-024	1	PRODUCTAFBEELDING,
21	190003179043	1	DICHTINGSSTROOK, l=500mm

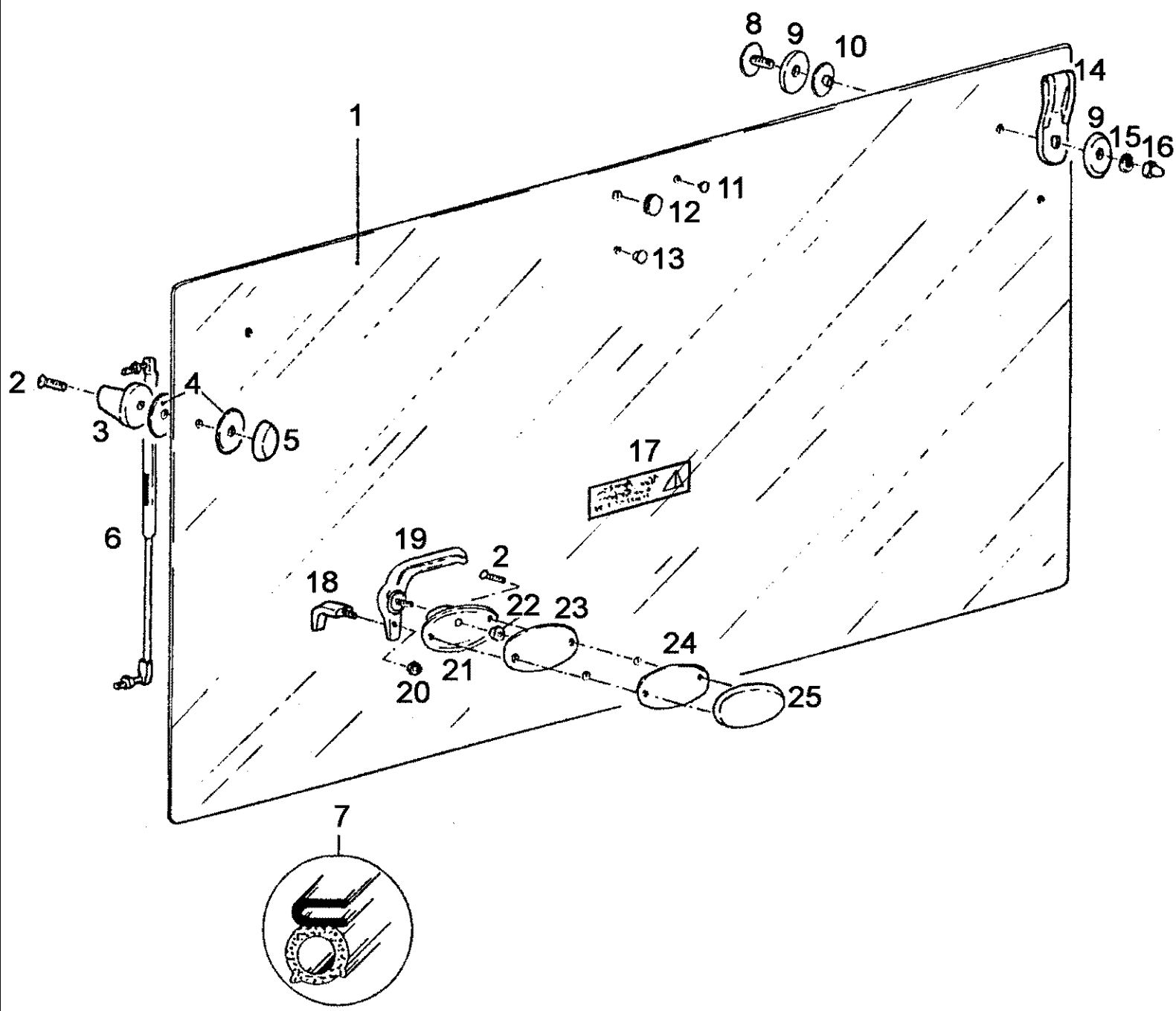


Ref	Onderdeelnummer	Kwt	Beschrijving
-	1-34-702-910		HOUDER, , Besteht aus/Consists of/Compose de/Bestående af/È composto da 1 - 16
1	1-34-799-794	6	SCHROEF,
2	1-34-702-908	1	SHEET, , Links/Left/Gauche/Venstre/Sinistro
3	1-34-702-909	1	HOUDER, , Rechts/Right/Droite/Højre/Destra
4	190003888608	2	MOER, , VM6-8-A2C
5	1-34-702-889	2	STRIP,PROTECTION, , l=170mm
6	1-34-702-903	2	NOK,
7	1-34-799-793	4	KLINKNAGEL,
8	1-34-702-904	2	SCHIJF,
9	1-34-702-905	2	PIVOT,
10	190003930252	2	SLUITRING, , A6,4-140HV-C3P
11	86508568	2	BOUT, Hex, M6 x 16, 8.8,
12	1-34-701-817	1	JOINT, RUBBER, , l=650mm
13	1-34-702-907	1	SHEET, , Mitte/Centre/Centre/Midtfor/Centro
14	1-34-702-902	1	CAP, FILLER,
15	1-34-799-792	2	KLINKNAGEL,
16	1-34-771-721	1	VENSTER, , Unten/Below/En bas/Nedenfor/Inferiore
-	1-34-702-892	1	SHEET, , Besteht aus/Consists of/Compose de/Bestående af/È composto da 20 - 31
20	1-34-702-886	1	SHEET, , Links/Left/Gauche/Venstre/Sinistro
21	1-34-702-887	1	SHEET, , Rechts/Right/Droite/Højre/Destra
22	86508568	2	BOUT, Hex, M6 x 16, 8.8,
23	190003930252	4	SLUITRING, , A6,4-140HV-C3P
24	15896221	2	MOER, M6, CI 10, , M6-8-A2C, DIN934
25	1-34-799-791	6	MOER,
26	1-34-799-790	14	SCHIJF,
27	1-34-799-789	6	SCHROEF,
28	1-34-702-891	3	CAP, FILLER,
29	1-34-702-890	1	SEAL, WINDOW, , l=650mm
30	1-34-702-885	1	SHEET, , Mitte/Centre/Centre/Midtfor/Centro
31	1-34-702-888	1	VENSTERGLAS, , Unten/Below/En bas/Nedenfor/Inferiore

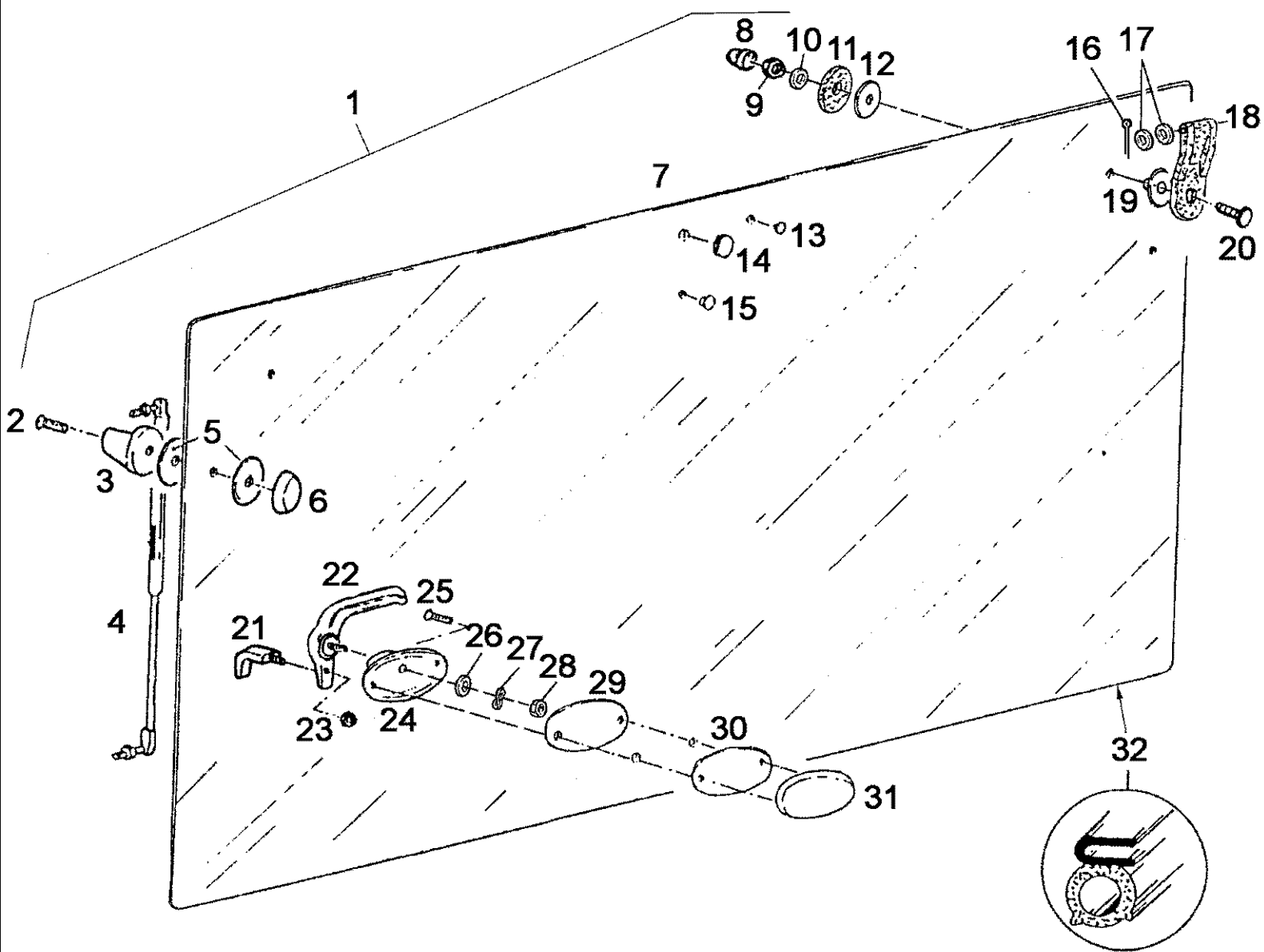




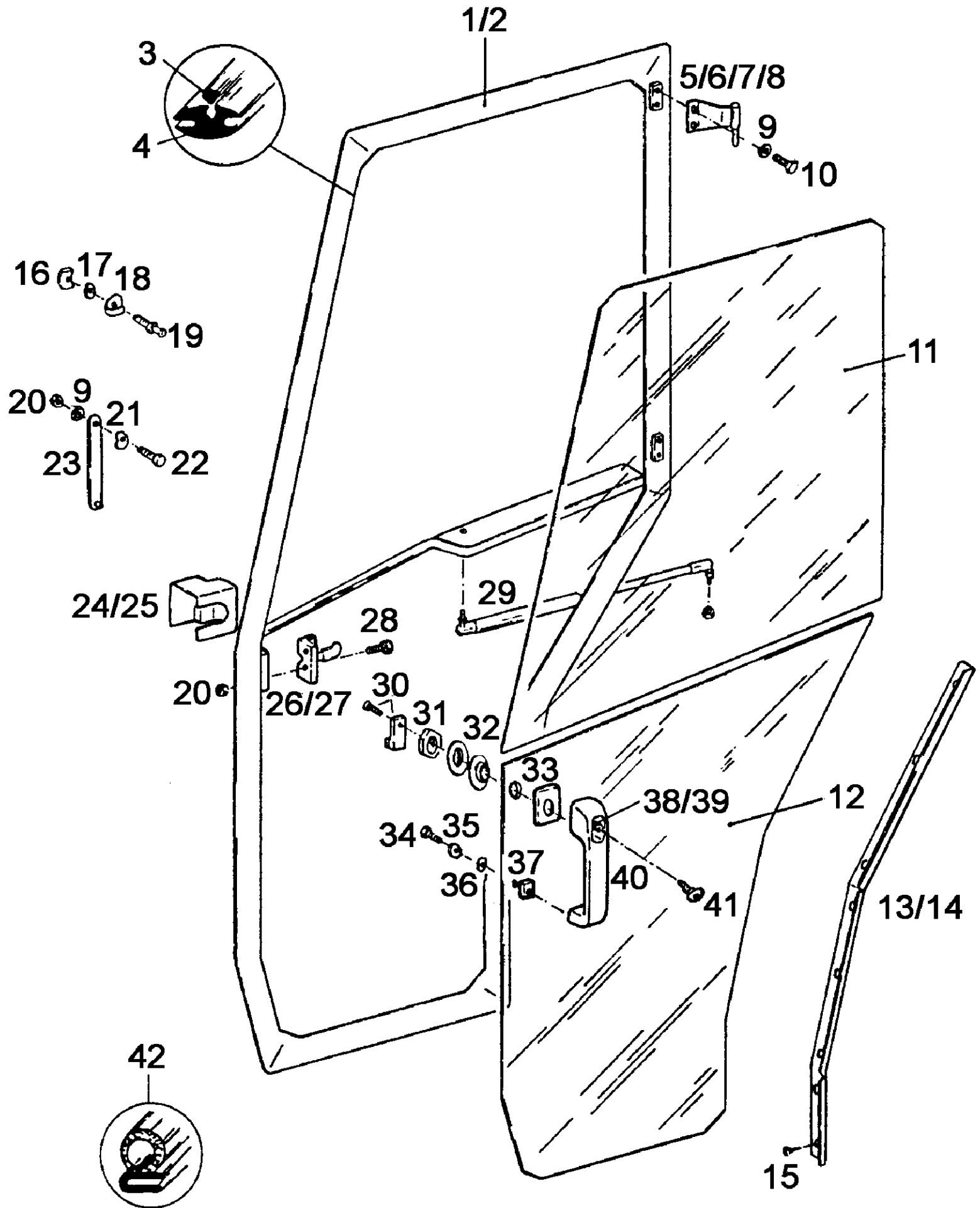
Ref	Onderdeelnummer	Kwt	Beschrijving
1	190003834310	2	SCHROEF, , M6x16-MU
2	190003930252	4	SLUITRING, , A6,4-140HV-C3
3	15896221	5	MOER, M6, CI 10, , M6-8-A2C, DIN934
4	1-34-703-142	1	SHEET, , Links/Left/Gauche/Venstre/Sinistro
5	1-34-703-143	1	SHEET, , Rechts/Right/Droite/Højre/Destra
6	1-34-799-791	6	MOER,
7	1-34-799-790	14	SCHIJF,
8	1-34-701-311	2	STRIP,PROTECTION, , l=170mm - Ersetzt/Replaces/Remplace/Udskiftet/Sostituisce 1-34-702-889
9	1-34-703-145	6	SCHROEF,
10	1-34-702-891	3	CAP, FILLER,
11	1-34-701-475	1	DICHTINGSSTUK, , l=650mm - Ersetzt/Replaces/Remplace/Udskiftet/Sostituisce 1-34-702-890
12	1-34-703-141	1	SHEET,
13	86508568	2	BOUT, Hex, M6 x 16, 8.8,
14	1-34-568-349	1	VENSTER, , Ersetzt/Replaces/Remplace/Udskiftet/Sostituisce 1-34-703-126
15	1-34-703-146	1	HOUDER, , Besteht aus/Consists of/Compose de/Bestående af/È composto da 2 - 14 - Ersetzt/Replaces/Remplace/Udskiftet/Sostituisce 1-34-702-910, 1-34-702-892
20	1-34-703-174	1	COVER, , ----> .....
21	1-34-703-175	1	BUSHING, LARGE, , ----> .....
22	190003932021	1	WASHER, SPRING, , A6-FST-A3C - ----> .....
23	190003930241	1	SLUITRING, , A5,3-140HV-A3C - ..... ---->
24	15896221	5	MOER, M6, CI 10, , M6-8-A2C, DIN934 ; ----> .....
25	190003888450	1	MOER, , VM5-8-A2C - ..... ---->
26	1-34-568-347	1	DEKSEL, , Ersetzt/Replaces/Remplace/Udskiftet/Sostituisce 1-34-703-174 - ..... ---->
27	190003820212	1	SCHROEF, , M5x10-4.8-Z-A2R - ..... ---->
28	190003830002	4	SCHROEF, , M6x20-MU-A2C
30	1-34-701-469	1	STRIP,PROTECTION, , l=300mm - Ersetzt/Replaces/Remplace/Udskiftet/Sostituisce 1-34-703-095
31	1-34-701-825	1	WEATHERSTRIP, , l=150mm
32	1-34-568-346	1	SHEET ASSY, , Ersetzt/Replaces/Remplace/Udskiftet/Sostituisce 1-34-703-173
33	1-34-701-311	2	STRIP,PROTECTION, , l=155mm - Ersetzt/Replaces/Remplace/Udskiftet/Sostituisce 1-34-702-773
34	190003179043	1	DICHTINGSSTROOK, , l=500mm
40	1-34-703-164	1	SHEET, , ----> ..... - Besteht aus/Consists of/Compose de/Bestående af/È composto da 2, 3, 14, 20 - 22, 24, 28, 32 - Ersetzt/Replaces/Remplace/Udskiftet/Sostituisce 1-34-702-910, 1-34-702-892, 1-34-703-146,
50	1-34-568-345	1	SHEET ASSY, , ..... ----> - Besteht aus/Consists of/Compose de/Bestående af/È composto da 2, 3, 14, 23, 25 - 28, 32 - Ersetzt/Replaces/Remplace/Udskiftet/Sostituisce 1-34-702-910, 1-34-702-892, 1-34-703-146, 1-34-703-164



Ref	Onderdeelnummer	Kwt	Beschrijving
-	1-34-771-720	1	VENSTER, , Besteht aus/Consists of/Compose de/Bestående af/È composto da 1 - 16, 18 - 25
1	1-34-771-735	1	VENSTER, , Ersetzt/Replaces/Remplace/Udskiftet/Sostituisce 1-34-771-719
2	190003825419	4	SCHROEF, , M8x20
3	1-34-135-097	2	LAGER,
4	1-99-968-016	4	RING, RUBBER,
5	1-34-135-096	2	LAGERHUIS,
6	1-34-701-577	2	SCHOKDEMPER,
7	1-34-701-822	1	SEAL, WINDOW, , l=3600mm
8	190003834335	1	SCHROEF, , M6x35-MU
9	1-34-635-011	4	SLUITRING, , Ersetzt/Replaces/Remplace/Udskiftet/Sostituisce 1-34-701-014
10	1-34-135-064	4	SLUITRING, , Ersetzt/Replaces/Remplace/Udskiftet/Sostituisce 1-34-701-015
11	1-34-701-405	1	PLUG, , Ø 6mm
12	1-34-701-587	1	RUBBER, , Ø 18mm
13	1-34-702-911	1	PLUG, , Ø 16mm
14	1-34-702-898	2	SCHARNIER,
15	896-11008	2	SLUITRING, M8 x 17.5 x 2, HT, , A8,4-140HV-A3C
16	190003880510	2	MOER, , M8-6-A2C
17	1-34-577-024	1	PRODUCTAFBEELDING,
18	1-34-571-203	1	BAIL, , Ersetzt/Replaces/Remplace/Udskiftet/Sostituisce 1-34-701-433
19	1-34-571-204	1	HANDGREEP, , Ersetzt/Replaces/Remplace/Udskiftet/Sostituisce 1-34-135-101
20	15896221	1	MOER, M6, CI 10, , M6-8-A2C, DIN934
21	1-34-135-102	1	STEUN,
22	190003888451	1	MOER, , VM8-A2C
23	1-34-135-115	1	RING, RUBBER,
24	1-34-135-116	1	RING, RUBBER,
25	1-34-135-103	1	VERBINDINGSBLOK,



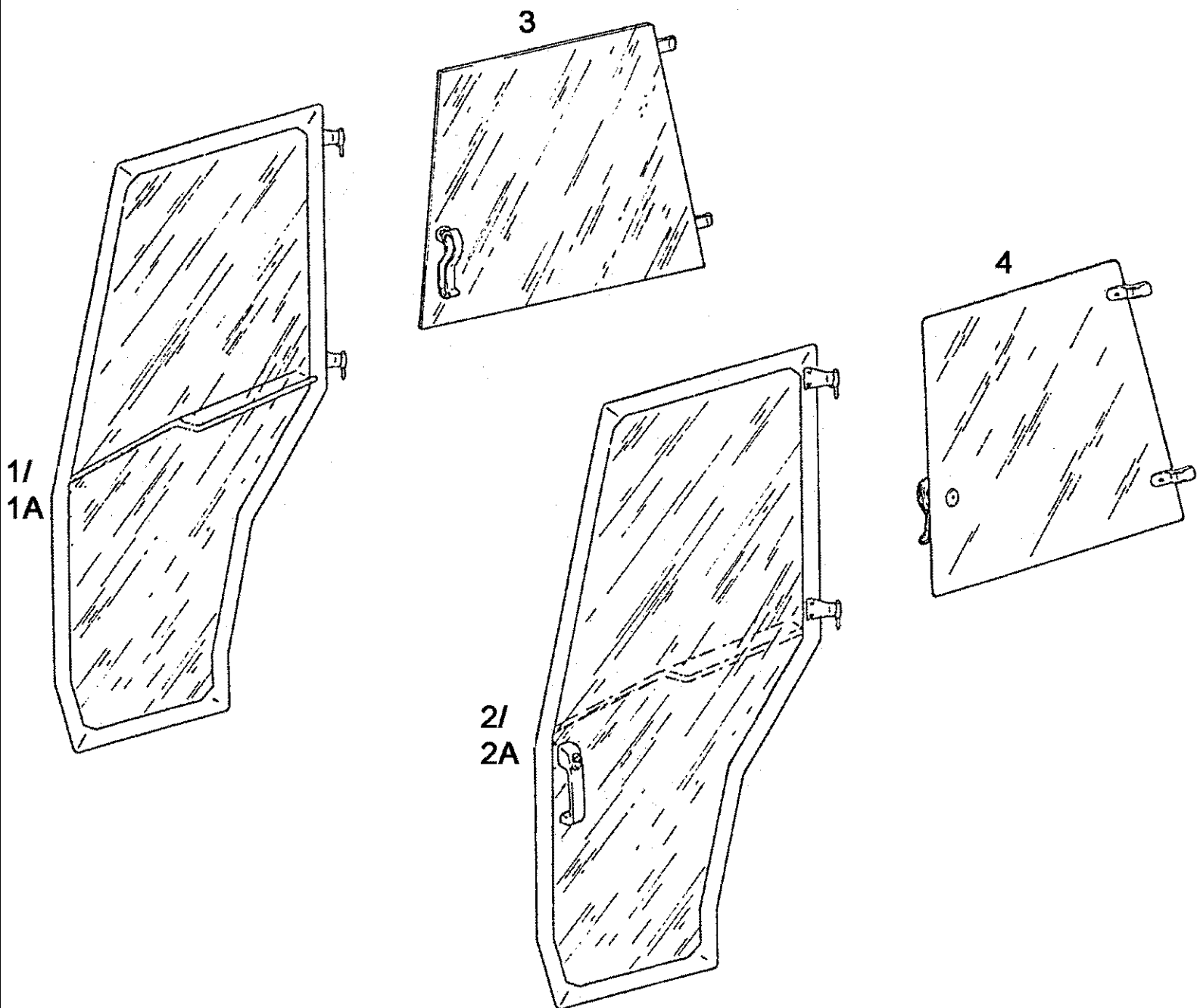
Ref	Onderdeelnummer	Kwt	Beschrijving
1	1-34-703-140	1	VENSTER, , Besteht aus/Consists of/Compose de/Bestående af/È composto da 2 - 32
2	190003862514	2	SCHROEF, , M8x25-8.8
3	1-34-135-110	2	HOUDER, , Ersetzt/Replaces/Remplace/Udskiftet/Sostituisce 1-34-135-097
4	1-34-671-103	2	GAS STRUT, , Ersetzt/Replaces/Remplace/Udskiftet/Sostituisce 1-34-703-139, 1-99-976-071
5	1-99-968-016	4	RING, RUBBER,
6	1-34-135-096	2	LAGERHUIS,
7	1-34-568-074	1	VENSTER, , Ersetzt/Replaces/Remplace/Udskiftet/Sostituisce 1-34-703-121, 354559A1
8	190003179544	2	AFSCHEMKAP, , M8
9	190003888451	1	MOER, , VM8-8
10	190003930042	2	SCHIJF, , 8,4-140HV-A3R
11	1-34-635-011	2	SLUITRING, , Ersetzt/Replaces/Remplace/Udskiftet/Sostituisce 1-34-701-0141
12	1-34-135-064	4	SLUITRING, , Ersetzt/Replaces/Remplace/Udskiftet/Sostituisce 1-34-701-016
13	1-34-671-104	1	KABELDOORGANG, , Ø 8mm
14	1-34-671-106	1	KABELDOORGANG, , Ø 20mm
15	1-34-671-105	1	KABELDOORGANG, , Ø 18mm
16	190003920221	1	SPLITPEN, , 3,2x18
17	896-11008	4	SLUITRING, M8 x 17.5 x 2, HT, , A8,4
18	1-34-135-108	2	SCHARNIER,
19	1-34-135-064	2	SLUITRING, , Ersetzt/Replaces/Remplace/Udskiftet/Sostituisce 1-34-701-015
20	190003834436	2	SCHROEF, , M8x35-MU-A2C
21	1-34-571-203	1	BAIL, , Ersetzt/Replaces/Remplace/Udskiftet/Sostituisce 1-34-701-433
22	1-34-571-204	1	HANDGREEP, , Ersetzt/Replaces/Remplace/Udskiftet/Sostituisce 1-34-135-101
23	15896221	1	MOER, M6, CI 10, , M6-8-A2C, DIN934
24	1-34-135-102	1	STEUN,
25	190003862017	2	SCHROEF, Cross Csk Hd, M8 x 20, 8.8, , M8x20-8.8
26	896-11008	1	SLUITRING, M8 x 17.5 x 2, HT,
27	190003932030	1	SCHIJFVEER, , A8-FST-A3C
28	190003888451	1	MOER, , VM-8-8
29	1-34-135-115	1	RING, RUBBER,
30	1-34-135-116	1	RING, RUBBER,
31	1-34-135-103	1	VERBINDINGSBLOK,
32	1-34-701-746	1	PROFIEL, , l=3700mm - Ersetzt/Replaces/Remplace/Udskiftet/Sostituisce 1-34-701-822



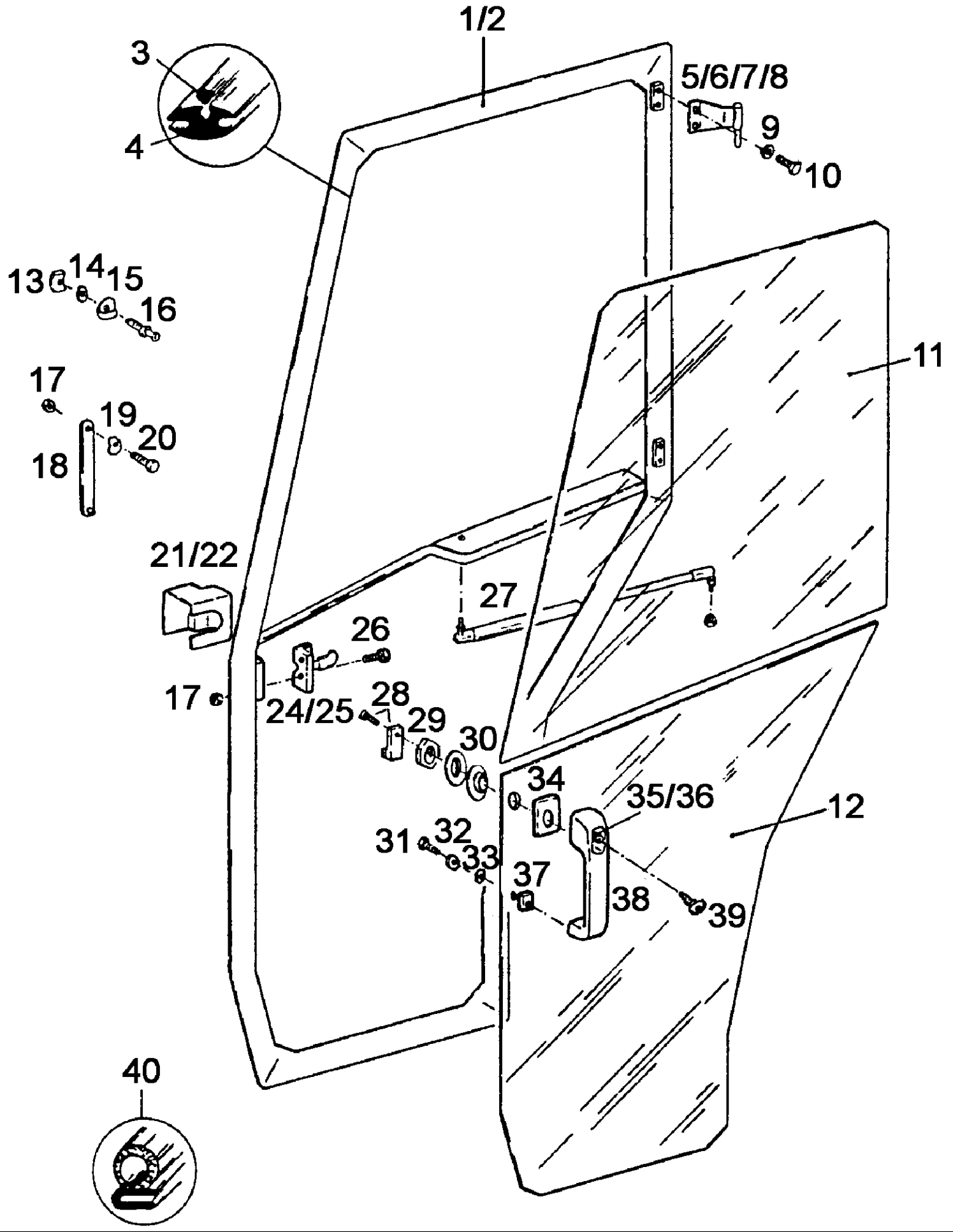
Ref	Onderdeelnummer	Kwt	Beschrijving
-	1-34-568-016	1	DEUR, , Links/Left/Gauche/Venstre/Sinistro - Ersetzt/Replaces/Remplace/Udskiftet/Sostituisce 1-34-702-982
-	1-34-568-015	1	DEUR, , Rechts/Right/Droite/Højre/Destra - Ersetzt/Replaces/Remplace/Udskiftet/Sostituisce 1-34-702-983
1	1-34-702-964	1	RAAM, , Links/Left/Gauche/Venstre/Sinistro
2	1-34-702-965	1	RAAM, , Rechts/Right/Droite/Højre/Destra
3	1-34-701-200	2	SEAL, WINDOW, , L = 3500mm
4	1-34-701-396	2	SEAL, WINDOW, , L = 3500mm,
5	1-34-702-966	1	SCHARNIER, , Oben links/Over left/En 'haute gauche/Ovenfor venstre/Superiore sinistro
6	1-34-702-967	1	SCHARNIER, , Oben rechts/Over right/En 'haut droite/Ovenfor højre/Superiore destra
7	1-34-702-968	1	SCHARNIER, , Unten links/Below left/En bas gauche/Nedenfor venstre/Inferiore sinistro
8	1-34-702-969	1	SCHARNIER, , Unten rechts/Below right/En bas droite/Nedenfor højre/Inferiore destra
9	896-11008	2	SLUITRING, M8 x 17.5 x 2, HT, , A8,4-140HV-A3C
10	336199	8	BOUT, Hex, M8 x 12, 8.8, Full Thd, , M8x12-8.8
11	1-34-771-736	2	VENSTER, , Oben/Over/En 'haut/Ovenfor/Superiore
12	1-34-771-738	2	VENSTER, , Unten/Below/En bas/Nedenfor/Inferiore
13	1-34-702-980	1	SLAT, , Links/Left/Gauche/Venstre/Sinistro
14	1-34-702-981	1	SLAT, , Rechts/Right/Droite/Højre/Destra
15	190003843210	16	SCHROEF, , B4,8x9,5-A3C
16	1-34-701-613	2	PLAAT, GROOT,
17	1-34-701-025	2	SLUITRING,
18	1-34-701-612	2	BOW,
19	1-34-768-006	2	SLOT,
20	190003888451	8	MOER, , VM8-8
21	190003932022	2	SLUITRING, , A8
22	190003802426	2	SCHROEF, , M8X20-SK-8.8-A2C
23	1-34-701-438	2	PLAAT, GROOT,
24	1-34-702-972	1	COVER, PROTECTIVE, , Links/Left/Gauche/Venstre/Sinistro
25	1-34-702-973	1	COVER, PROTECTIVE, , Rechts/Right/Droite/Højre/Destra
26	1-34-702-970	1	PLATE, CATCH, , Links/Left/Gauche/Venstre/Sinistro
27	1-34-702-971	1	PLATE, CATCH, , Rechts/Right/Droite/Højre/Destra
28	15213321	4	BOUT, Hex, M8 x 35, 8.8,
29	1-34-701-577	2	SCHOKDEMPER, , L = 500mm
30	1-34-702-975	2	DETENT,
31	1-34-703-114	2	MOER,
32	1-34-702-978	2	WASHER, RUBBER,
33	1-34-702-977	2	RUBBEREN LAGERKUSSEN,
34	86508568	2	BOUT, Hex, M6 x 16, 8.8,
35	1-34-701-371	2	SCHIJF,
36	1-34-702-979	2	WASHER, RUBBER,
37	1-34-702-976	2	RUBBEREN LAGERKUSSEN,



Ref	Onderdeelnummer	Kwt	Beschrijving
38	1-34-721-008	2	LOCK-CYLINDER, , Komplett/Complete/Complet/Komplet/Completo - Einschließlich/Includes/Avec/Inklusive/Compreso 39
39	1-34-703-085	2	LOCK-CYLINDER, , Ersetzt/Replaces/Remplace/Udskiftet/Sostituisce 1-34-703-084, 1-34-702-152
40	1-34-702-974	2	GRIP, , Einschließlich/Includes/Avec/Inklusive/Compreso 30 - 32
41	135700580706	2	SLEUTEL,
42	190003172008	2	DICHTINGSSTUK, , L = 3750mm

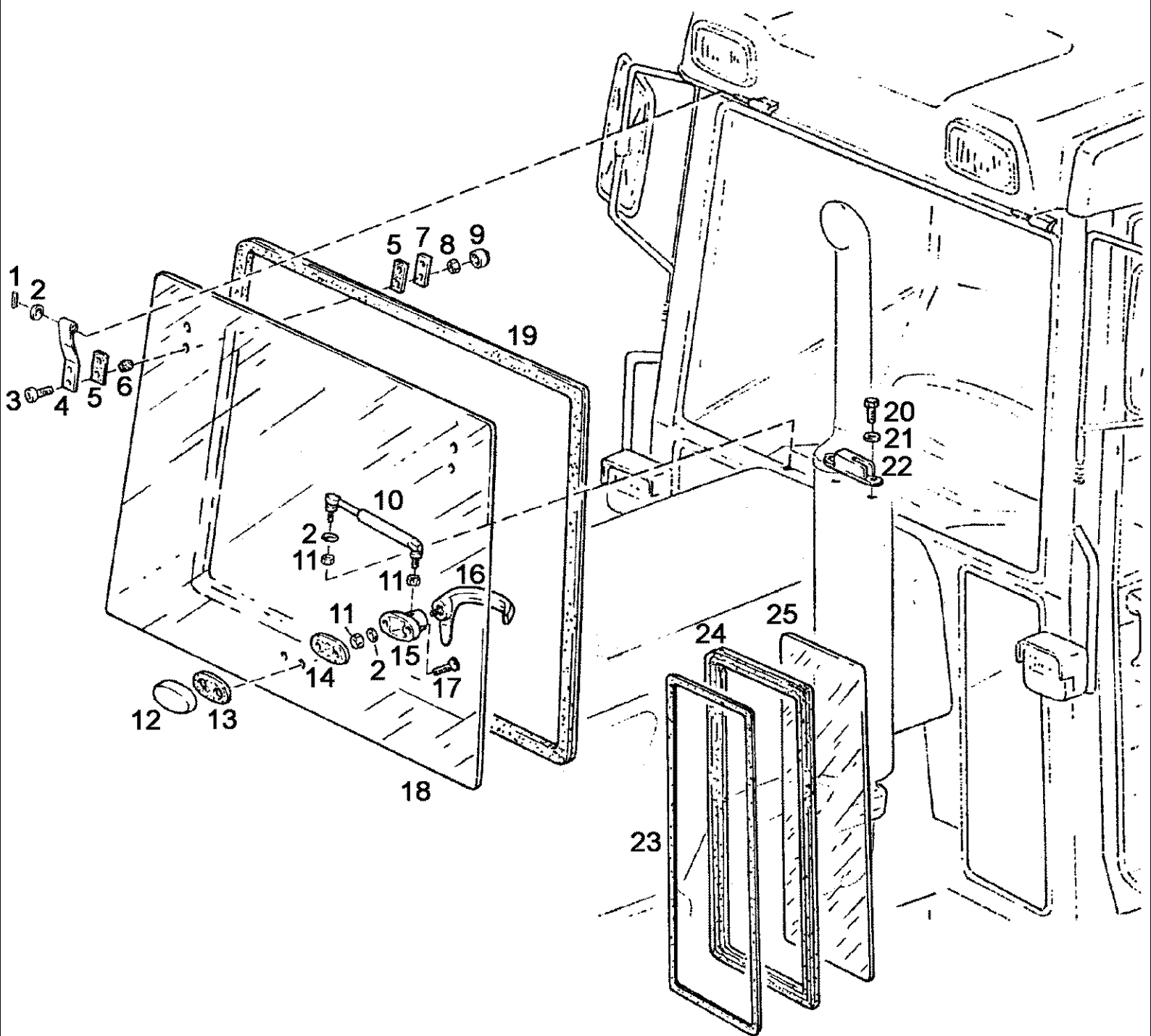


Ref	Onderdeelnummer	Kwt	Beschrijving
A	1-34-568-048	1	, Besteht aus/Consists of/Compose de/Bestående af/È composto da 1 - 4 - ----> .....
B	1-34-568-310	1	KIT, , Besteht aus/Consists of/Compose de/Bestående af/È composto da 1A,2A,3,4 - ..... ---->
1	1-34-568-049	1	, Rechts/Right/Droite/Højre/Destra - ----> .....
1A	1-34-568-302	1	DEUR, , Rechts/Right/Droite/Højre/Destra, ..... ----> - Siehe nächste Seite(n)/See next page(s)/Voir page(s) suivante(s)/Se næste side(r)/Vedere pagin(a/e) seguent(e/i)
2	1-34-568-051	1	, Links/Left/Gauche/Venstre/Sinistro - ----> .....
2A	1-34-568-301	1	DEUR, , Links/Left/Gauche/Venstre/Sinistro, ..... ----> - Siehe nächste Seite(n)/See next page(s)/Voir page(s) suivante(s)/Se næste side(r)/Vedere pagin(a/e) seguent(e/i)
3	1-34-568-303	1	WINDOW, , Rechts/Right/Droite/Højre/Destra, Siehe nächste Seite(n)/See next page(s)/Voir page(s) suivante(s)/Se næste side(r)/Vedere pagin(a/e) seguent(e/i)
4	1-34-568-304	1	WINDOW, , Links/Left/Gauche/Venstre/Sinistro, Siehe nächste Seite(n)/See next page(s)/Voir page(s) suivante(s)/Se næste side(r)/Vedere pagin(a/e) seguent(e/i)
	190003172008	1	DICHTINGSSTUK, , Länge/Length/Longuer/Længde/Lunghezza 12m



Ref	Onderdeelnummer	Kwt	Beschrijving
	1-34-568-051	1	, Links/Left/Gauche/Venstre/Sinistro - ----> .....
	1-34-568-301	1	DEUR, , Links/Left/Gauche/Venstre/Sinistro - ..... ---->
	1-34-568-049	1	, Rechts/Right/Droite/Højre/Destra - ----> .....
	1-34-568-302	1	DEUR, , Rechts/Right/Droite/Højre/Destra - ..... ---->
1	1-34-703-135	1	RAAM, , Links/Left/Gauche/Venstre/Sinistro
2	1-34-703-134	1	RAAM, , Rechts/Right/Droite/Højre/Destra
3	1-34-701-200	1	SEAL, WINDOW, , Länge/Length/Longuer/Længde/Lunghezza 3500mm
4	1-34-701-396	1	SEAL, WINDOW, , Länge/Length/Longuer/Længde/Lunghezza 3500mm
5	1-34-703-147	1	SCHARNIER, , Oben links/Over left/En 'haute gauche/Ovenfor venstre/Superiore sinistro
6	1-34-703-148	1	SCHARNIER, , Oben rechts/Over right/En 'haut droite/Ovenfor højre/Superiore destra
7	1-34-703-149	1	SCHARNIER, , Unten links/Below left/En bas gauche/Nedenfor venstre/Inferiore sinistro
8	1-34-703-150	1	SCHARNIER, , Unten rechts/Below right/En bas droite/Nedenfor højre/Inferiore destra
9	896-11008	10	SLUITRING, M8 x 17.5 x 2, HT, , A8,4-140HV-A3C
10	336199	8	BOUT, Hex, M8 x 12, 8.8, Full Thd, , M8x12-8.8
11	1-34-771-737	2	WINDOW,
12	1-34-703-118	2	VENSTER,
13	1-34-701-613	2	PLAAT, GROOT,
14	1-34-701-025	2	SLUITRING,
15	1-34-701-612	2	BOW,
16	1-34-768-006	2	SLOT,
17	190003888451	8	MOER, , VM8-8
18	1-34-701-438	2	PLAAT, GROOT,
19	190003932030	2	SCHIJFVEER, , A8-FST-A3C
20	190003825419	2	SCHROEF, , M8X20
21	1-34-702-972	1	COVER, PROTECTIVE,
22	1-34-702-973	1	COVER, PROTECTIVE,
24	1-34-702-970	1	PLATE, CATCH,
25	1-34-703-151	1	LOCK ASSY,
26	15213321	4	BOUT, Hex, M8 x 35, 8.8,
27	1-34-701-577	2	SCHOKDEMPER, , Länge/Length/Longuer/Længde/Lunghezza 500mm
28	1-34-702-975	2	DETENT,
29	1-34-703-114	2	MOER,
30	1-34-702-978	2	WASHER, RUBBER,
31	86508568	2	BOUT, Hex, M6 x 16, 8.8,
32	1-34-701-371	2	SCHIJF,
33	1-34-702-979	2	WASHER, RUBBER,
34	1-34-702-977	2	RUBBEREN LAGERKUSSEN,
35	1-34-721-008	2	LOCK-CYLINDER, , Komplett/Complete/Completo/Komplet/Completo - Einschließlich/Includes/Avec/Inklusive/Compreso 36
36	1-34-703-085	2	LOCK-CYLINDER, , Ersetzt/Replaces/Remplace/Udskiftet/Sostituisce 1-34-702-084, 1-34-702-152
37	1-34-702-976	2	RUBBEREN LAGERKUSSEN,

Ref	Onderdeelnummer	Kwt	Beschrijving
38	1-34-702-974	2	GRIP, , Besteht aus/Consists of/Compose de/Bestående af/È composto da 17, 20, 46
39	135700580706	2	SLEUTEL,
40	190003172008	1	DICHTINGSSTUK, , Länge/Length/Longuer/Længde/Lunghezza 3750mm

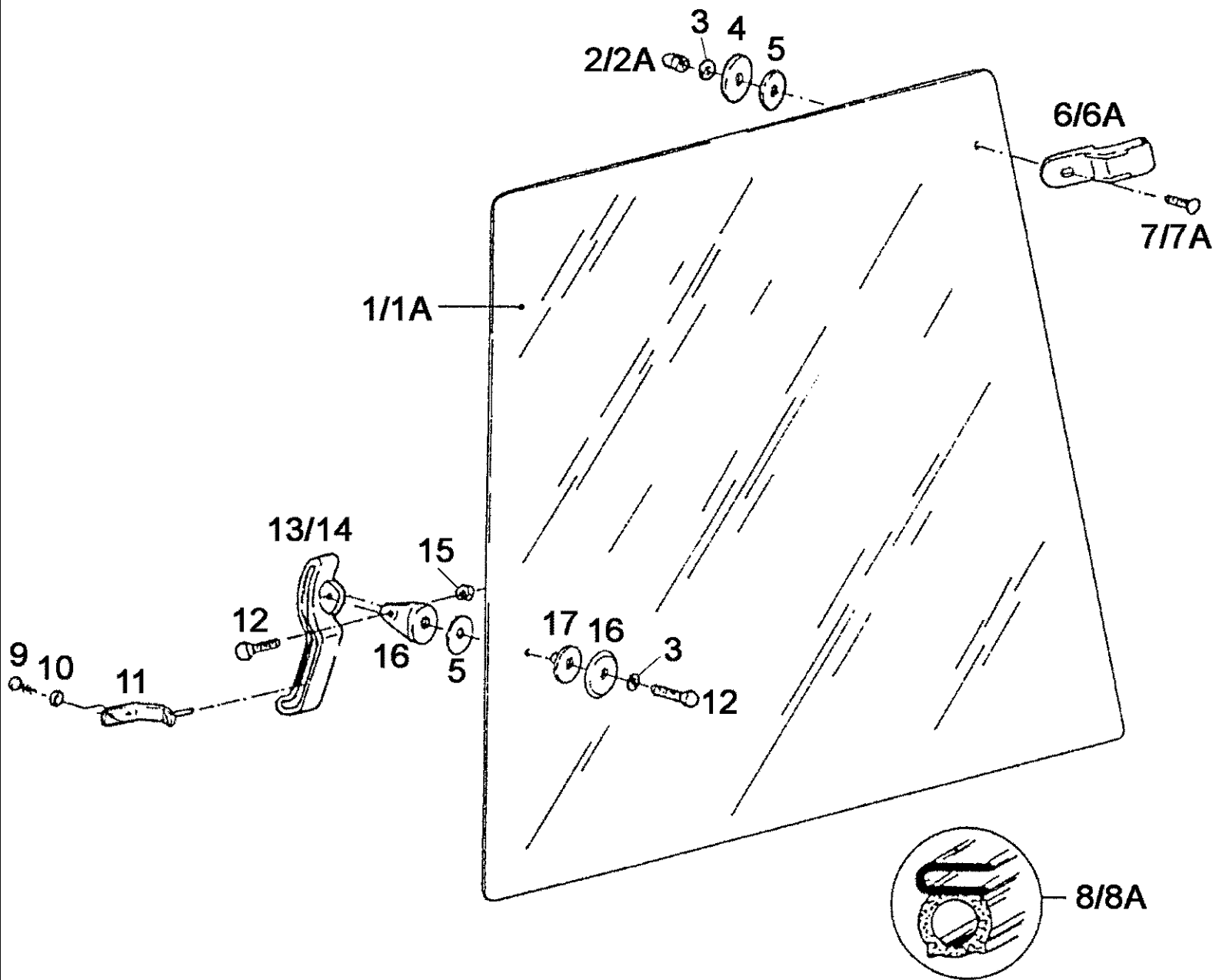


## 955 STEYR TRACTOR (2/92-6/97) - Chassis

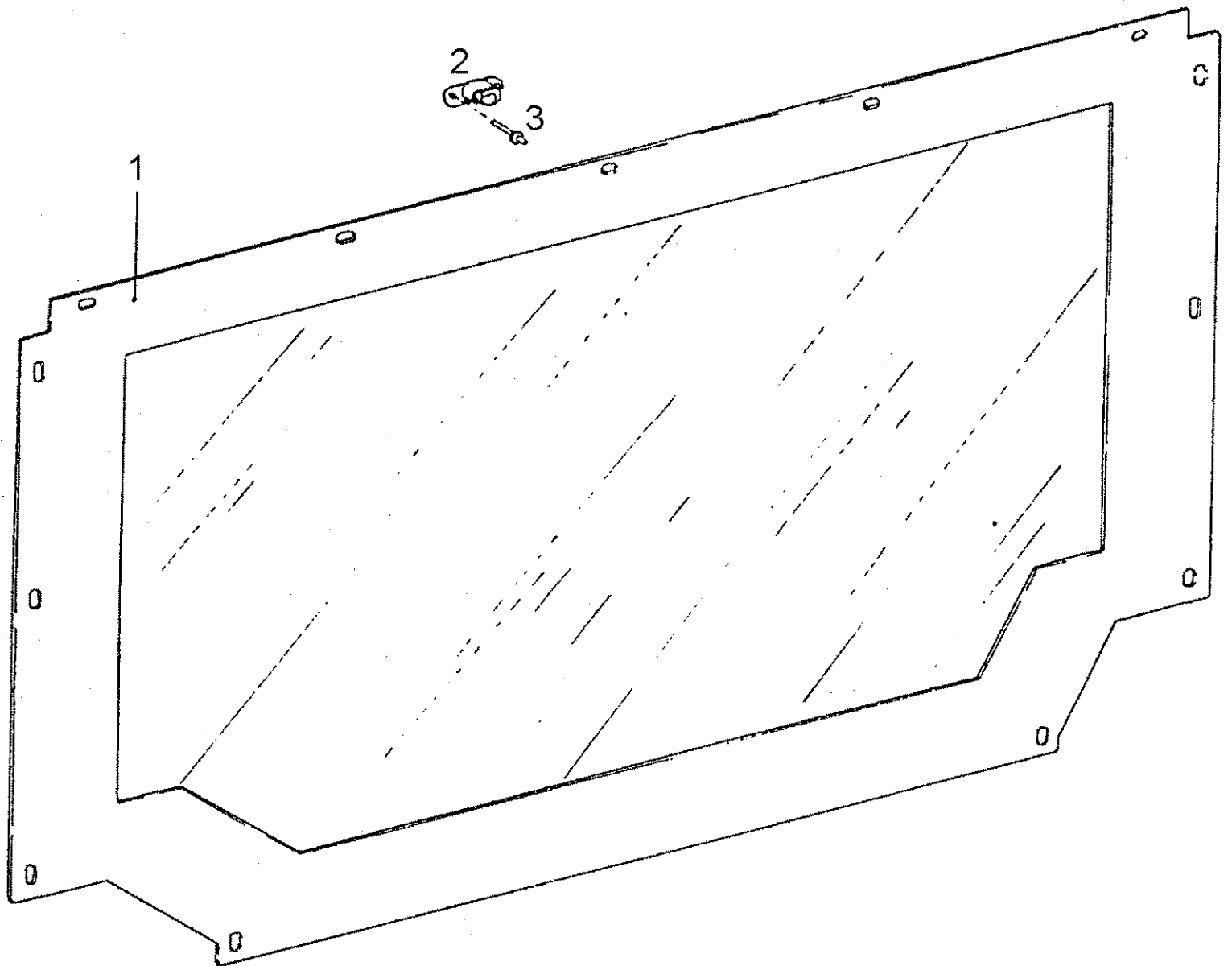
## 09B-26(01) OPENING WINDSHIELD

Ref	Onderdeelnummer	Kwt	Beschrijving
1	190003900018	1	SPANSTIFT, , 3x16-A3C
2	896-11008	2	SLUITRING, M8 x 17.5 x 2, HT, , A8,4-140HV-A3C
3	190003822434	4	SCHROEF, , M8x25-4.8-A2C
4	1-34-135-067	2	SCHARNIER,
5	1-99-968-009	4	BEVESTIGINGSPLAAT,
6	1-99-960-002	4	LAGER,KOPPELING DRUKPLAA,
7	1-99-974-203	2	VERWISSELBAAR RISTERVOORS, , 3X16-A3C
8	190003888451	4	MOER, , VM8-8-A2C
9	190003179544	4	AFSCHERMKAP, , M8-PE-SW
10	1-99-976-064	1	CYLINDER, GAS,
11	190003888451	1	MOER, , VM8-8-A2C
12	1-34-135-103	1	VERBINDINGSBLOK,
13	1-34-135-116	1	RING, RUBBER,
14	1-34-135-115	1	RING, RUBBER,
15	1-34-135-099	1	LAGERHUIS,
16	1-34-135-200	1	HENDEL,
17	190003862017	2	SCHROEF, Cross Csk Hd, M8 x 20, 8.8, , M8x20-8.8-A2C
18	1-34-571-001	1	WINDSCREEN,
19	190003171165	1	DICHTINGSSTUK, , L = 4000mm
20	86508568	2	BOUT, Hex, M6 x 16, 8.8,
21	190003937276	2	SLUITRING, , 6-ST-A3C
22	1-34-571-002	1	SLOT, , M6-8
23	190003129861	2	PROFIEL, , L = 3300mm
24	1-34-171-212	2	DICHTINGSSTUK,
25	1-34-471-002	2	VENSTER,





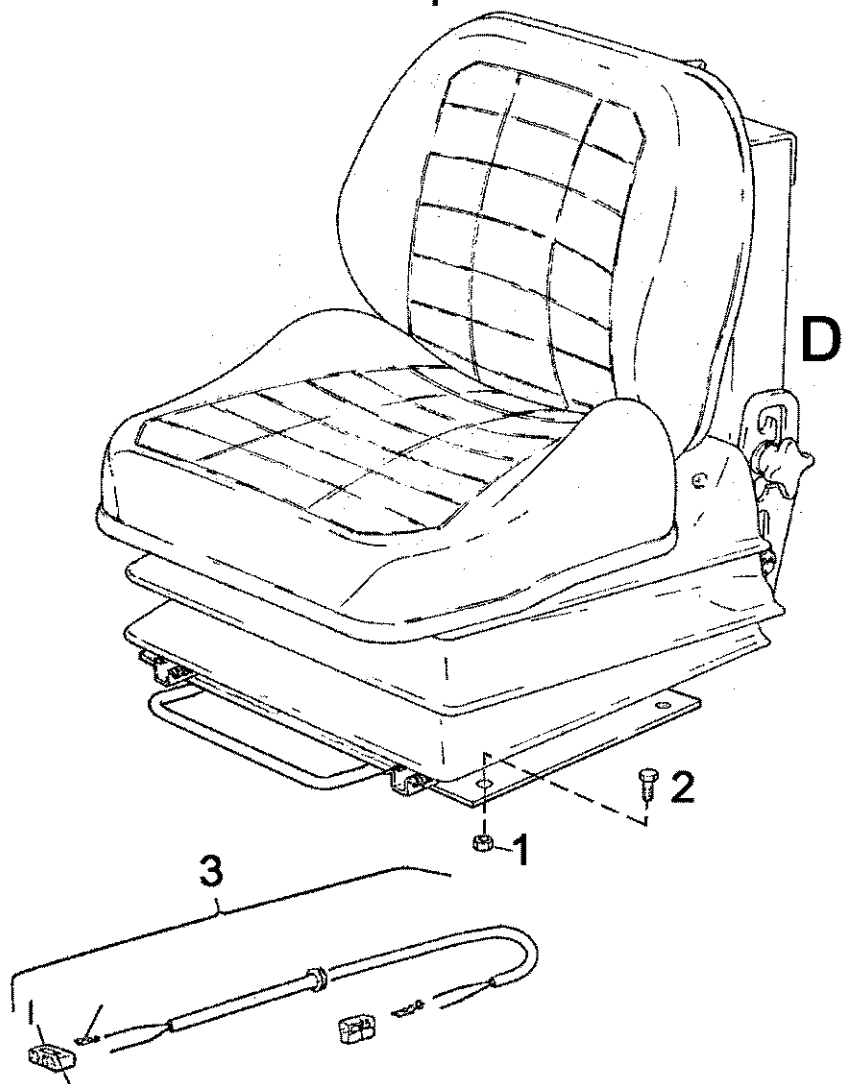
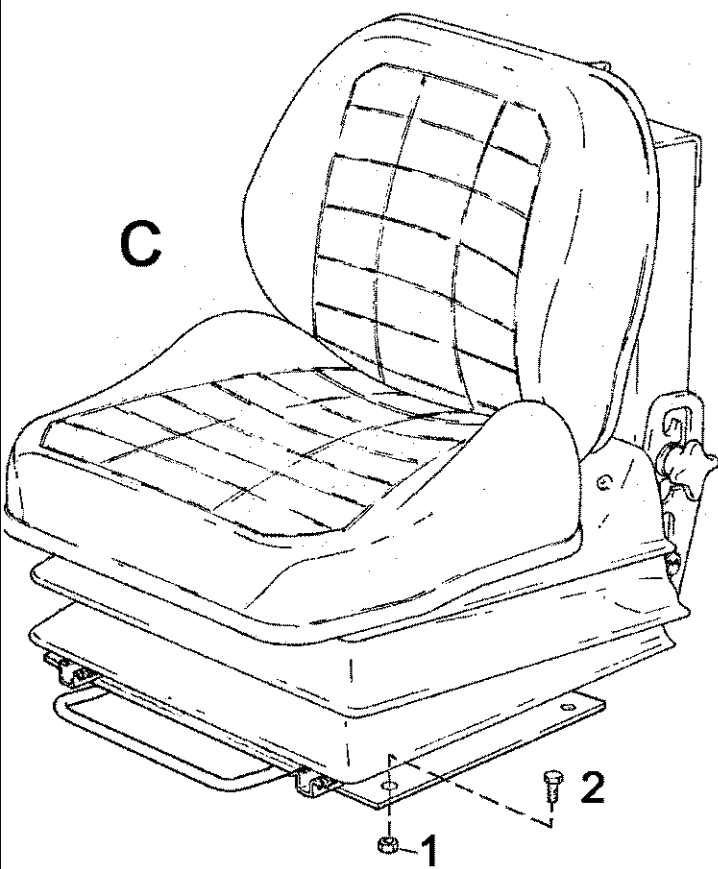
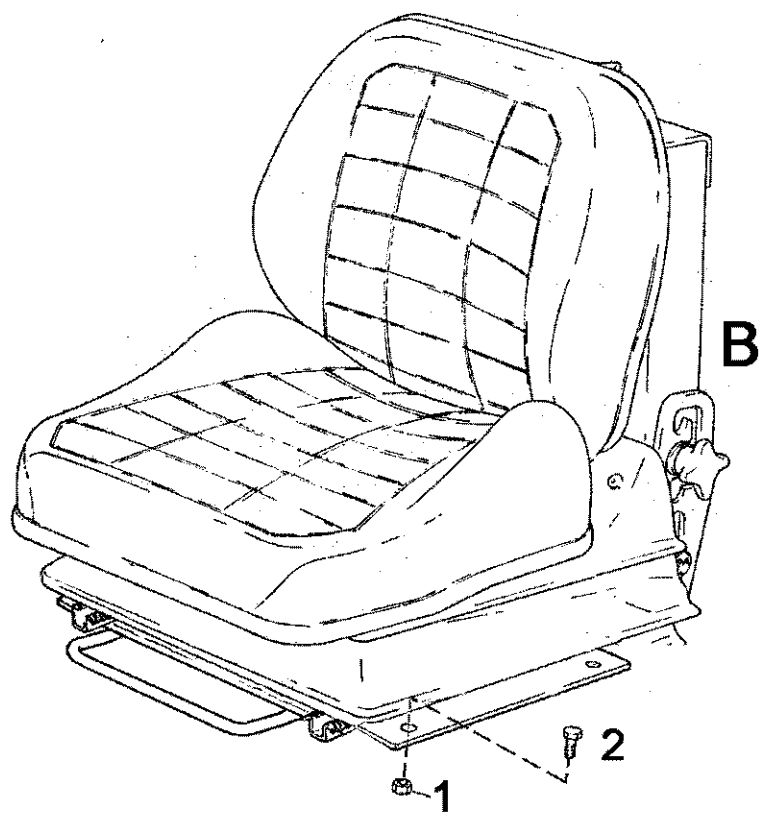
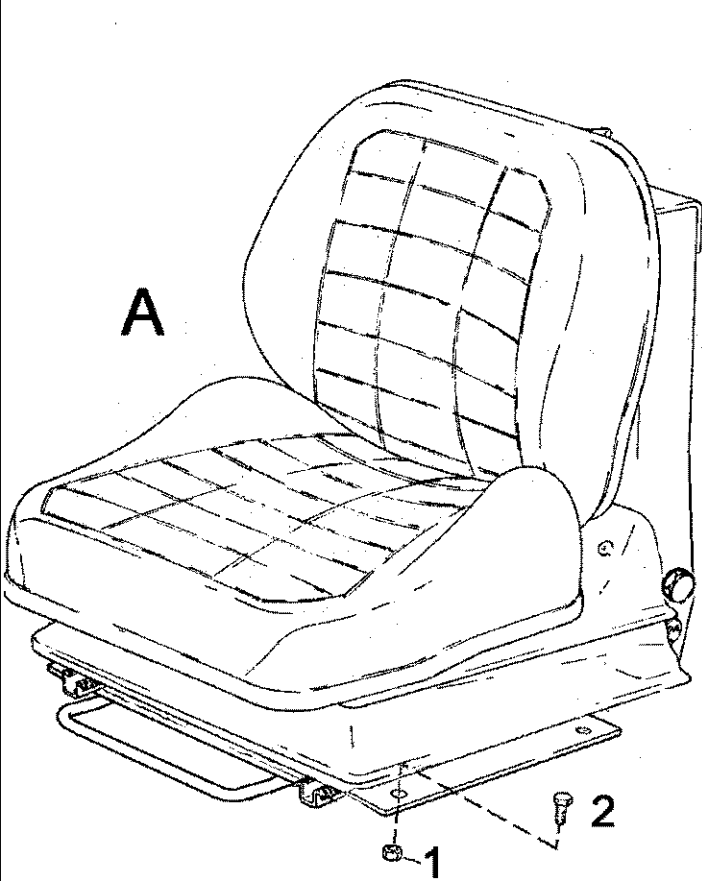
Ref	Onderdeelnummer	Kwt	Beschrijving
-	1-34-771-726	1	VENSTER, , ----> ..... - Links/Left/Gauche/Venstre/Sinistro - Besteht aus/Consists of/Compose de/Bestående af/È composto da - 1 - 8, 12, 13, 15 - 17
-	1-34-568-304	1	WINDOW, , ..... ----> - Links/Left/Gauche/Venstre/Sinistro - Besteht aus/Consists of/Compose de/Bestående af/È composto da - 1A, 2A, 3 - 5, 6A, 7A, 8A, 12, 13, 15 - 17
-	1-34-771-727	1	VENSTER, , ----> ..... - Rechts/Right/Droite/Højre/Destra - Besteht aus/Consists of/Compose de/Bestående af/È composto da - 1 - 8, 12, 14 - 17
-	1-34-568-303	1	WINDOW, , ..... ----> - Rechts/Right/Droite/Højre/Destra - Besteht aus/Consists of/Compose de/Bestående af/È composto da - 1A, 2A, 3 - 5, 6A, 7A, 8A, 12, 14 - 17
1	1-34-771-725	2	VENSTER, , ----> .....
1A	1-34-703-168	2	VENSTERGLAS, , ..... ---->
2	190003880510	4	MOER, , M8-6-A2C, ----> .....
2A	1-34-799-726	4	MOER, , ..... ---->
3	190003930261	6	SLUITRING, , A8,4
4	1-34-701-014	6	SLUITRING,
5	1-34-701-016	6	WASHER, RUBBER,
6	1-34-701-735	4	SCHARNIER, , ----> ..... - Ersetzt/Replaces/Remplace/Udskiftet/Sostituisce 1-34-701-017
6A	1-34-135-108	4	SCHARNIER, , ..... ---->
7	190003834335	4	SCHROEF, , M6x35-MU, ----> .....
7A	190003834436	4	SCHROEF, , M8X35-MU-A2C, ..... ---->
8	1-34-701-475	2	DICHTINGSSTUK, , ----> ..... - Länge/Length/Longuer/Længde/Lunghezza 2100mm - Ersetzt/Replaces/Remplace/Udskiftet/Sostituisce 1-34-701-223
8A	190003172008	2	DICHTINGSSTUK, , ..... ----> - Länge/Length/Longuer/Længde/Lunghezza 2100mm
9	190003844558	4	SCHROEF, , 6,3x16
10	190003936101	4	SLUITRING, , 6,4-140HV-A3C
11	1-34-135-069	2	LAGER,
12	43128	4	BOUT, Hex, M8 x 30, 8.8,
13	1-34-135-061	1	HENDEL, , Links/Left/Gauche/Venstre/Sinistro
14	1-34-135-062	1	HENDEL, , Rechts/Right/Droite/Højre/Destra
15	190003888451	2	MOER, , VM8-8
16	1-34-135-063	2	STOPAPPARAAT,
17	1-34-701-015	2	SCHIJF,



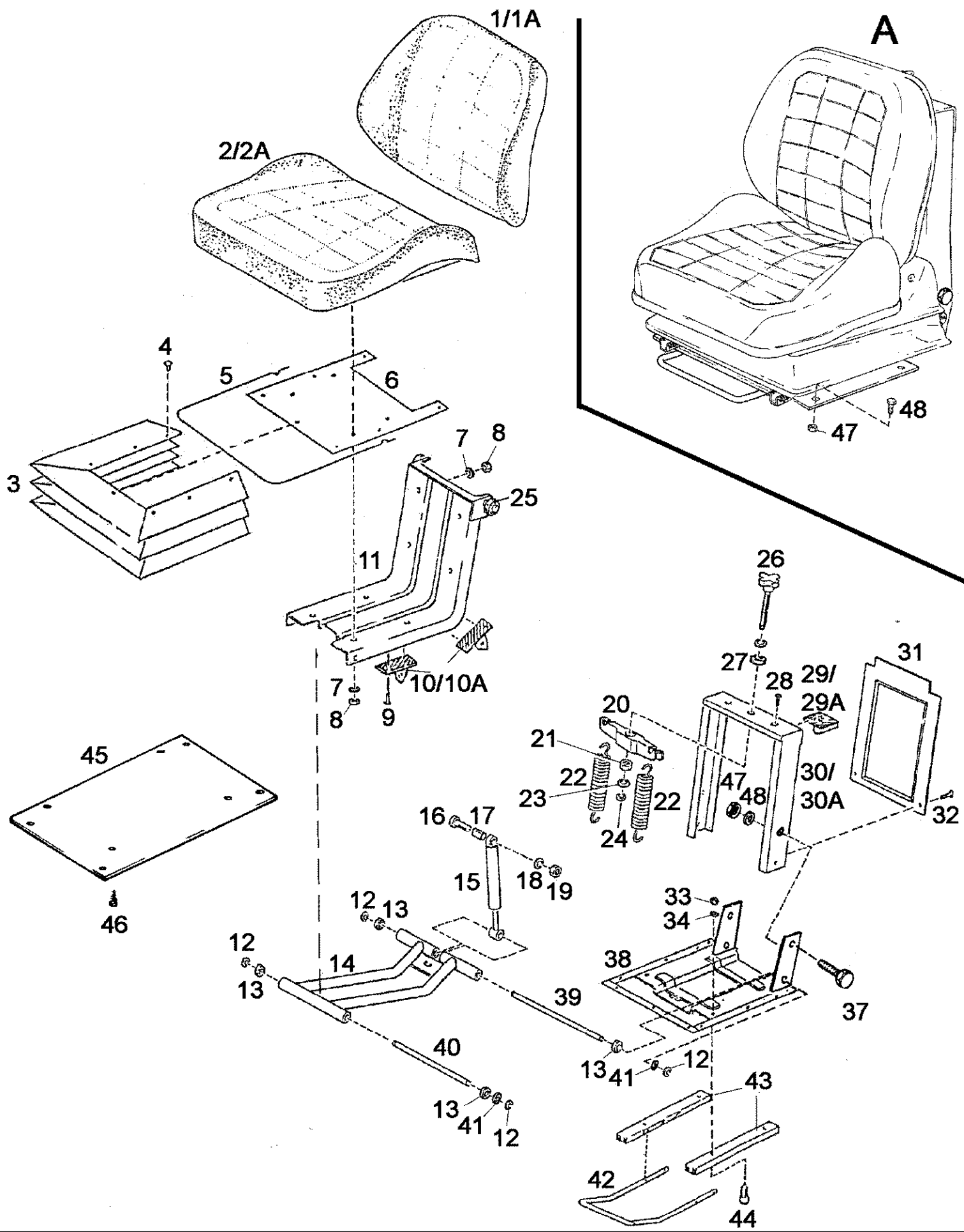
955 STEYR TRACTOR (2/92-6/97) - Chassis

09B-28(01) REAR CANVAS COVER

Ref	Onderdeelnummer	Kwt	Beschrijving
-	1-34-568-007	1	COVER, SKIRT, , Besteht aus/Consists of/Compose de/Bestående af/È composto da 1 - 3
1	1-34-768-007	1	COVER, SKIRT,
2	1-34-701-192	13	HENDEL,
3	1-34-799-792	26	KLINKNAGEL,



Ref	Onderdeelnummer	Kwt	Beschrijving
A	1-34-551-008	1	SPIE, , PVC - ----> ..... - Siehe nächste Seite(n)/See next page(s)/Voir page(s) suivante(s)/Se næste side(r)/Vedere pagin(a/e) sequent(e/i)
A	1-34-551-108	1	SPIE, , PVC - ..... ----> - Ersetzt/Replaces/Remplace/Udskiftet/Sostituisce 1-34-551-008 - Siehe nächste Seite(n)/See next page(s)/Voir page(s) suivante(s)/Se næste side(r)/Vedere pagin(a/e) sequent(e/i)
B	1-34-551-006	1	SPIE, , PVC - ----> ..... - Siehe nächste Seite(n)/See next page(s)/Voir page(s) suivante(s)/Se næste side(r)/Vedere pagin(a/e) sequent(e/i)
B	1-34-551-106	1	SPIE, , PVC - ..... ----> - Ersetzt/Replaces/Remplace/Udskiftet/Sostituisce 1-34-551-006 - Siehe nächste Seite(n)/See next page(s)/Voir page(s) suivante(s)/Se næste side(r)/Vedere pagin(a/e) sequent(e/i)
B	1-34-551-007	1	SEAT ASSY., , Stoff/Textile material/Tissu/Stof/Tessuto - ----> ..... - Siehe nächste Seite(n)/See next page(s)/Voir page(s) suivante(s)/Se næste side(r)/Vedere pagin(a/e) sequent(e/i)
B	1-34-551-107	1	SPIE, , Stoff/Textile material/Tissu/Stof/Tessuto - ..... ----> - Ersetzt/Replaces/Remplace/Udskiftet/Sostituisce 1-34-551-007 - Siehe nächste Seite(n)/See next page(s)/Voir page(s) suivante(s)/Se næste side(r)/Vedere pagin(a/e) sequent(e/i)
C	1-34-551-004	1	SEAT ASSY., , PVC - ----> ..... - Siehe nächste Seite(n)/See next page(s)/Voir page(s) suivante(s)/Se næste side(r)/Vedere pagin(a/e) sequent(e/i)
C	1-34-551-104	1	SPIE, , PVC - ..... ----> - Ersetzt/Replaces/Remplace/Udskiftet/Sostituisce 1-34-551-004 - Siehe nächste Seite(n)/See next page(s)/Voir page(s) suivante(s)/Se næste side(r)/Vedere pagin(a/e) sequent(e/i)
C	1-34-551-005	1	SEAT ASSY., , Stoff/Textile material/Tissu/Stof/Tessuto - ----> ..... - Siehe nächste Seite(n)/See next page(s)/Voir page(s) suivante(s)/Se næste side(r)/Vedere pagin(a/e) sequent(e/i)
C	1-34-551-105	1	SPIE, , Stoff/Textile material/Tissu/Stof/Tessuto - ..... ----> - Ersetzt/Replaces/Remplace/Udskiftet/Sostituisce 1-34-551-005 - Siehe nächste Seite(n)/See next page(s)/Voir page(s) suivante(s)/Se næste side(r)/Vedere pagin(a/e) sequent(e/i)
D	1-34-551-009	1	VEER, , Stoff/Textile material/Tissu/Stof/Tessuto - ----> ..... - Siehe nächste Seite(n)/See next page(s)/Voir page(s) suivante(s)/Se næste side(r)/Vedere pagin(a/e) sequent(e/i)
D	1-34-551-109	1	VEER, , Stoff/Textile material/Tissu/Stof/Tessuto - ..... ----> - Ersetzt/Replaces/Remplace/Udskiftet/Sostituisce 1-34-551-009 - Siehe nächste Seite(n)/See next page(s)/Voir page(s) suivante(s)/Se næste side(r)/Vedere pagin(a/e) sequent(e/i)
1	825-1408	2	MOER, M8, CI 8,
2	16043224	4	BOUT, Hex, M8 x 16, 8.8, Full Thd,
3		1	, Siehe Kapitel 04/See chapter 04/Voir chapitre 04/Se kapitel 04/Vedere capitolo 04



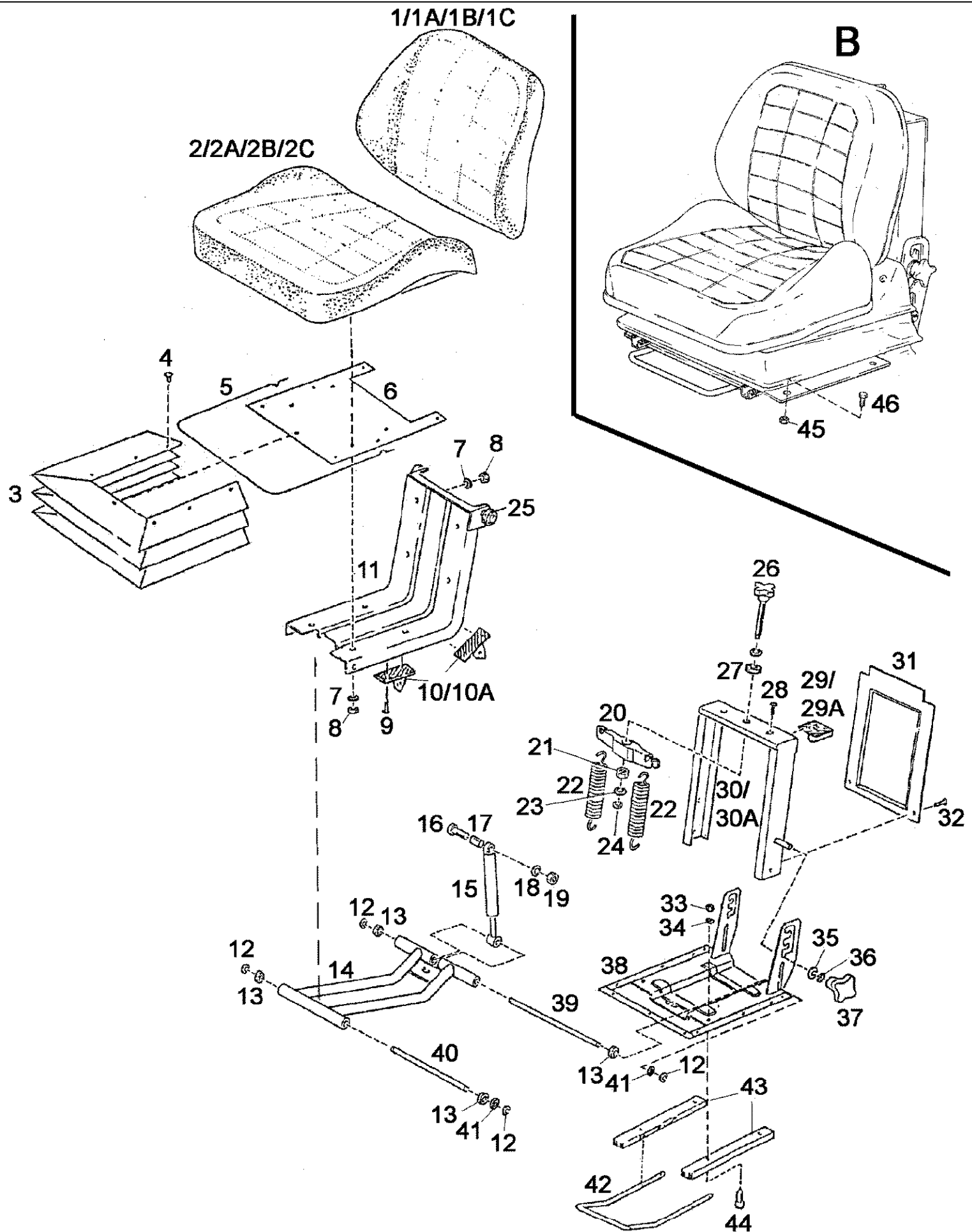
## 955 STEYR TRACTOR (2/92-6/97) - Chassis

## 09B-30(01) DRIVER'S SEAT WITHOUT HORIZONTAL SPRING, ACTION, WITHOUT HEIGHT-ADJUSTMENT DISASSEMBLED

Ref	Onderdeelnummer	Kwt	Beschrijving
A	1-34-551-008	1	SPIE, , PVC - ----> ..... - Besteht aus/Consists of/Compose de/Bestående af/È composto da 1, 2, 3 - 10, 11 - 29, 30, 31 - 44
A	1-34-551-108	1	SPIE, , PVC - ..... ----> - Ersetzt/Replaces/Remplace/Udskiftet/Sostituisce 1-34-551-008 - Besteht aus/Consists of/Compose de/Bestående af/È composto da 1A, 2A, 3 - 9, 10A, 11 - 28, 29A, 30A, 31 - 44
1	1-34-751-018	1	CUSHION, , PVC - ..... ---->
1A	1-34-751-581	1	BACKREST, , PVC - ..... ---->
2	1-34-751-015	1	CUSHION, , PVC - ----> .....
2A	1-34-751-580	1	SPIE, , PVC - ..... ---->
3	1-34-751-051	1	BLAASBALG,
4	1-34-751-276	22	KLINKNAGEL,
5	1-34-751-244	3	BAIL,
6	1-34-751-245	1	BLAASBALG,
7	190003935471	4	SLUITRING, , A10,5-A3C
8	15896221	5	MOER, M6, CI 10, , M6-8-A2C, DIN934
9	NSS	4	NIET ALLEEN VERKRIJGBAAR,
10	1-34-751-057	2	STOOTSTUK, , ----> .....
10A	1-34-751-578	2	STOOTSTUK, , ..... ---->
11	1-34-751-019	1	ONDERSTEL, BESTUURDERSSTO,
12	190003936617	4	SLUITRING, , 9-A3C
13	1-34-751-258	4	PLATE, PLASTIC,
14	1-34-751-049	1	LINK, UPPER,
15	1-34-751-055	1	SHOCK ABSORBER,
16	190003802527	1	SCHROEF, , M10x30-8.8
17	1-34-751-274	1	OPVULPIJP,
18	190003935471	1	SLUITRING, , A10,5-A3C
19	1-34-751-042	1	MOER,
20	1-34-751-052	1	VEER,
21	337475	1	MOER, M12, CI 10,
22	1-34-751-054	2	SPRING, TENSION,
23	1-34-751-254	1	AFSTANDSSTUK VOOR BUIZEN,
24	190003936617	1	SLUITRING, , 9-A3C
25	1-34-751-025	2	GELEIDER,
26	1-34-751-053	1	SPINDLE,
27	1-34-751-258	4	PLATE, PLASTIC,
28	1-34-751-272	2	KLINKNAGEL,
29	1-34-751-056	2	STOOTSTUK, , ----> .....
29A	1-34-751-577	2	STOOTSTUK, , ..... ---->
30	1-34-751-020	1	RAAM, , ----> .....
30A	1-34-751-583	1	RAAM, , ..... ---->
31	1-34-751-026	1	COVER, PROTECTIVE,

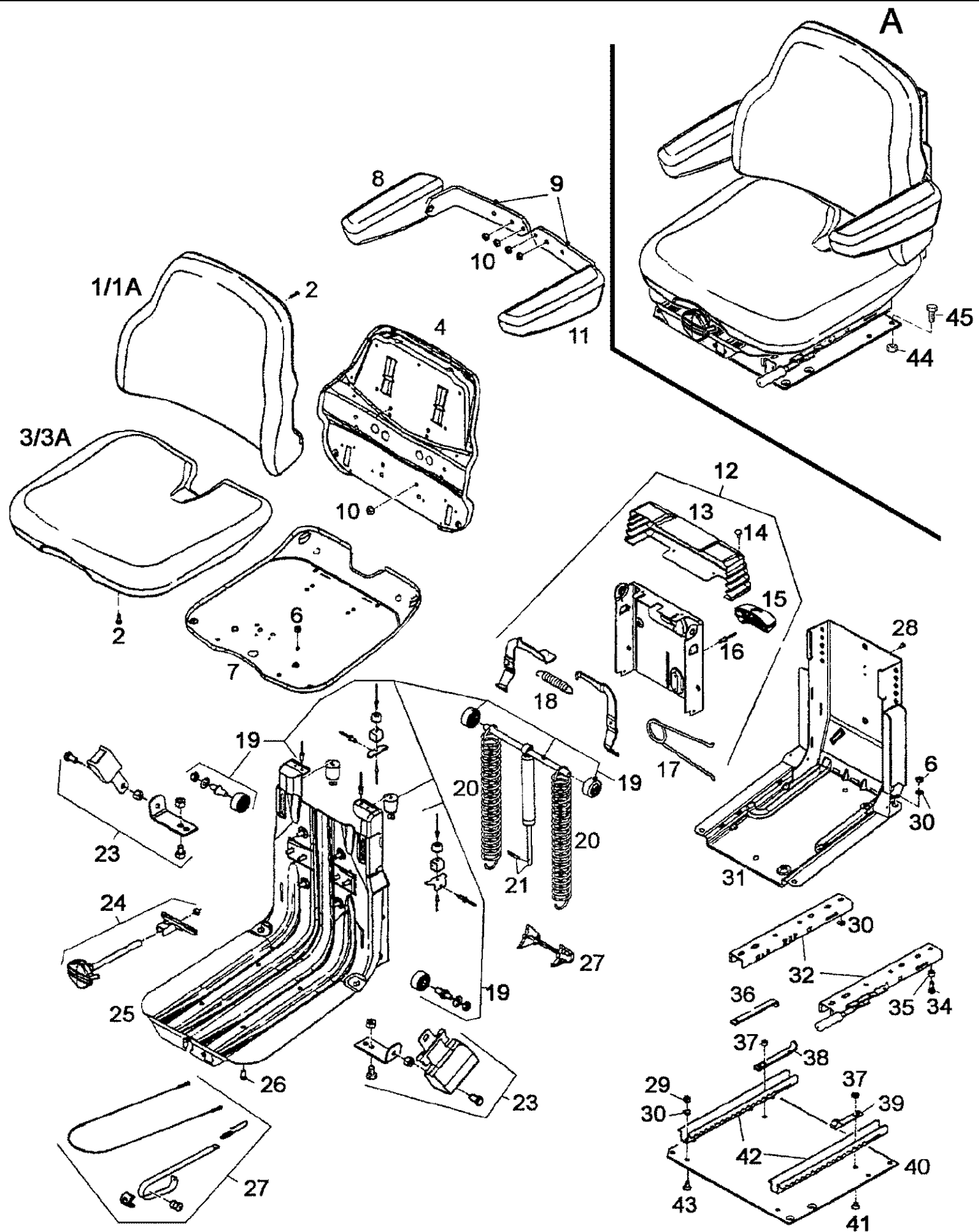


Ref	Onderdeelnummer	Kwt	Beschrijving
32	1-34-751-273	2	KLINKNAGEL,
33	43362	4	MOER, M8, CI 10,
34	190003935469	4	SLUITRING, , A8,2-A3C
37	43151	2	BOUT, Hex, M12 x 20, 8.8, Full Thd, M12x20-8.8-A3C
38	1-34-751-279	1	BASIS,
39	1-34-751-047	1	AS,
40	1-34-751-050	1	AS,
41	190003932334	2	SCHIJF, , 13-140HV-A3C
42	1-34-751-266	1	HEFBOOM, , Nr.6
43	1-34-751-265	2	RAIL,
44	190003862419	4	SCHROEF, , M8X16-8.8
45	1-34-751-277	1	ADAPTION,
46	1-34-751-278	4	SCHROEF,
47	825-1408	2	MOER, M8, CI 8,
48	16043224	2	BOUT, Hex, M8 x 16, 8.8, Full Thd,



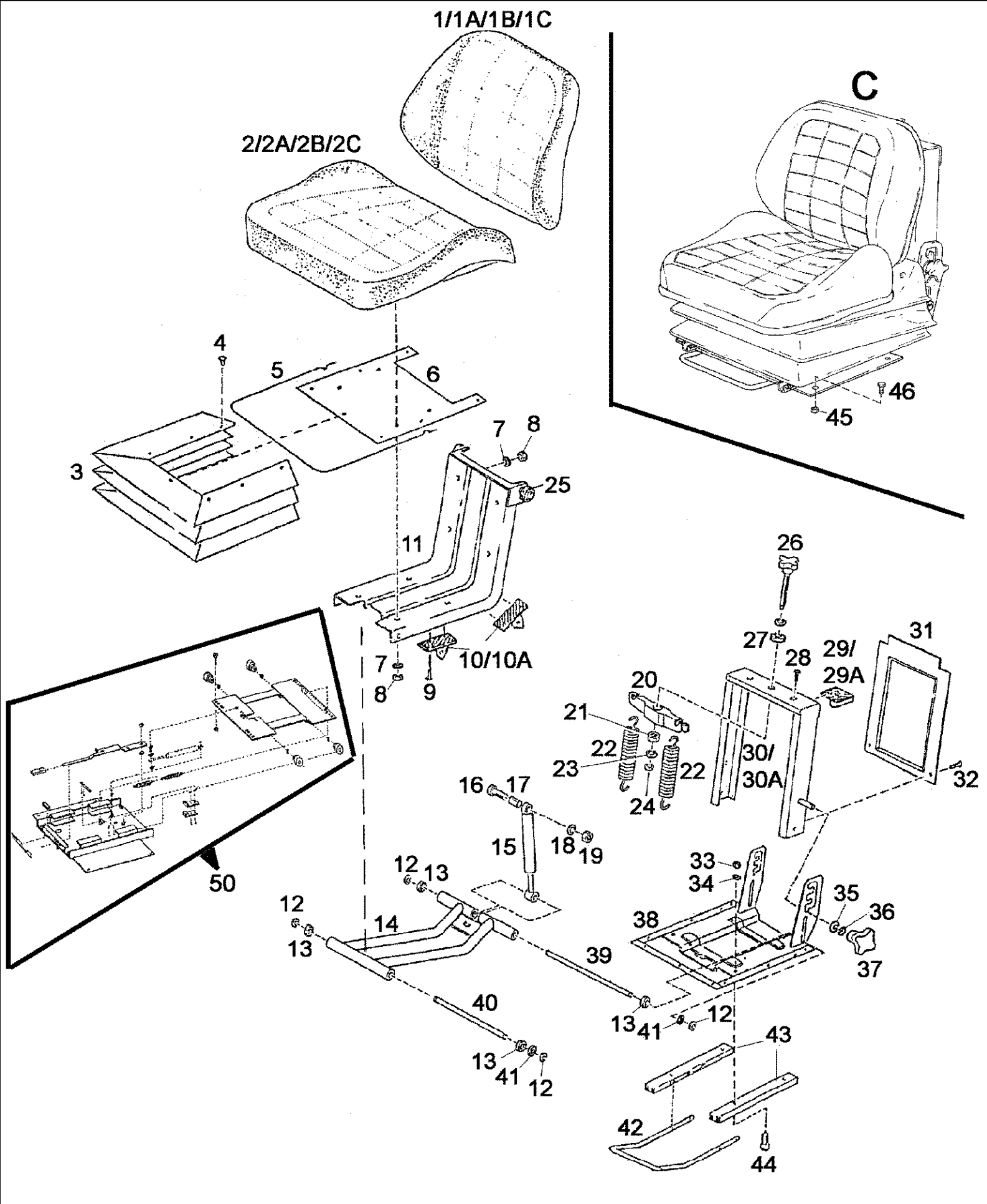
Ref	Onderdeelnummer	Kwt	Beschrijving
B	1-34-551-006	1	SPIE, , PVC - ----> ..... - Besteht aus/Consists of/Compose de/Bestående af/È composto da 1, 2, 3 - 10, 11 - 29, 30, 31 - 44
B	1-34-551-106	1	SPIE, , PVC - ..... ----> - Ersetzt/Replaces/Remplace/Udskiftet/Sostituisce 1-34-551-006 - Besteht aus/Consists of/Compose de/Bestående af/È composto da 1A, 2A, 3 - 9, 10A, 11 - 28, 29A, 30A, 31 - 44
B	1-34-551-007	1	SEAT ASSY., , Stoff/Textile material/Tissu/Stof/Tessuto - ----> ..... - Besteht aus/Consists of/Compose de/Bestående af/È composto da 1B, 2B, 3 - 10, 11 - 29, 31 - 44
B	1-34-551-107	1	SPIE, , Stoff/Textile material/Tissu/Stof/Tessuto - ..... ----> - Besteht aus/Consists of/Compose de/Bestående af/È composto da 1C, 2C, 3 - 9, 10A, 11 - 28, 29A, 30A, 31 - 44
1	1-34-751-018	1	CUSHION, , PVC - ----> .....
1A	1-34-751-581	1	BACKREST, , PVC - ..... ---->
1B	1-34-751-017	1	CUSHION, , Stoff/Textile material/Tissu/Stof/Tessuto - ----> ..... - Grau/Grey/Gris/Grå/Grigio
1C	1-34-751-570	1	BACKREST, , Stoff/Textile material/Tissu/Stof/Tessuto - ..... ----> - Grün/Green/Vert/Grøn/Verde
2	1-34-751-015	1	CUSHION, , PVC - ----> .....
2A	1-34-751-580	1	SPIE, , PVC - ..... ---->
2B	1-34-751-012	1	CUSHION, , Stoff/Textile material/Tissu/Stof/Tessuto - ----> ..... - Grau/Grey/Gris/Grå/Grigio
2C	1-34-751-569	1	SPIE, , Stoff/Textile material/Tissu/Stof/Tessuto - ..... ----> - Grün/Green/Vert/Grøn/Verde
3	1-34-751-051	1	BLAASBALG,
4	1-34-751-276	22	KLINKNAGEL,
5	1-34-751-244	3	BAIL,
6	1-34-751-245	1	BLAASBALG,
7	190003935471	4	SLUITRING, , A10,5-A3C
8	15896221	5	MOER, M6, CI 10, , M6-8-A2C, DIN934
9	NSS	4	NIET ALLEEN VERKRIJGBAAR,
10	1-34-751-057	2	STOOTSTUK, , ----> .....
10A	1-34-751-578	2	STOOTSTUK, , ..... ---->
11	1-34-751-019	1	ONDERSTEL, BESTUURDERSSTO,
12	190003936617	4	SLUITRING, , 9-A3C
13	1-34-751-258	4	PLATE, PLASTIC,
14	1-34-751-049	1	LINK, UPPER,
15	1-34-751-055	1	SHOCK ABSORBER,
16	190003802527	1	SCHROEF, , M10x30-8.8
17	1-34-751-274	1	OPVULPIJP,
18	190003935471	1	SLUITRING, , A10,5-A3C
19	1-34-751-042	1	MOER,
20	1-34-751-052	1	VEER,
21	337475	1	MOER, M12, CI 10,
22	1-34-751-054	2	SPRING, TENSION,
23	1-34-751-254	1	AFSTANDSSTUK VOOR BUIZEN,
24	190003936617	1	SLUITRING, , 9-A3C
25	1-34-751-025	2	GELEIDER,

Ref	Onderdeelnummer	Kwt	Beschrijving
26	1-34-751-053	1	SPINDLE,
27	1-34-751-258	1	PLATE, PLASTIC,
28	1-34-751-272	2	KLINKNAGEL,
29	1-34-751-056	2	STOOTSTUK, , ----> .....
29A	1-34-751-577	2	STOOTSTUK, , ..... ---->
30	1-34-751-020	1	RAAM, , ----> .....
30A	1-34-751-582	1	RAAM, , ..... ---->
31	1-34-751-026	1	COVER, PROTECTIVE,
32	1-34-751-273	2	KLINKNAGEL,
33	825-1408	4	MOER, M8, CI 8,
34	190003935469	4	SLUITRING, , A8,2-A3C
35	1-34-751-275	2	SCHIJF,
36	190003932016	2	WASHER, SPRING, , B12-FST-A3C
37	1-34-751-041	2	HENDEL,
38	1-34-751-038	1	BASIS,
39	1-34-751-047	1	AS,
40	1-34-751-050	1	AS,
41	190003932334	2	SCHIJF, , 13-140HV-A3C
42	1-34-751-266	1	HEFBOOM, , Nr.6
43	1-34-751-265	2	RAIL,
44	190003862419	4	SCHROEF, , M8x16-8.8
45	825-1408	2	MOER, M8, CI 8,
46	16043224	4	BOUT, Hex, M8 x 16, 8.8, Full Thd,



Ref	Onderdeelnummer	Kwt	Beschrijving
A	1-34-551-156	1	SEAT ASSY., , MSG44/520, GRAMMER, PVC - ..... ----> - Ersetzt/Replaces/Remplace/Udskiftet/Sostituisce 1-34-551-006, 1-34-551-106 - Besteht aus/Consists of/Compose de/Bestående af/È composto da 1 - 43
A	1-34-551-157	1	SPIE, , MSG44/520, GRAMMER, Stoff/Textile material/Tissu/Stof/Tessuto - ..... ----> - Ersetzt/Replaces/Remplace/Udskiftet/Sostituisce 1-34-551-007, 1-34-551-107 - Besteht aus/Consists of/Compose de/Bestående af/È composto da 1 - 43
1	1-34-751-911	1	ACHTERZIJDE RUGLEUNING, , PVC
1A	1-34-751-936	1	ACHTERZIJDE RUGLEUNING, , Stoff/Textile material/Tissu/Stof/Tessuto
2	1-34-751-709	6	SCHROEF, , 5,0x16
3	1-34-751-912	1	KUSSEN, , PVC
3A	1-34-751-937	1	KUSSEN, , Stoff/Textile material/Tissu/Stof/Tessuto
4	1-34-751-913	1	ACHTERKANT,
6	832-10408	8	NUT, LOCK, M8 x 1.25, CI 8,
7	1-34-751-920	1	PLATE, SEAT,
8	1-34-751-914	1	ARMLEUNING, BESTUURSZETEL,
9	1-34-751-930	1	STEL ONDERDELEN, , Besteht aus/Consists of/Compose de/Bestående af/È composto da 8, 11
10	1-34-751-760	4	MOER, , M8
11	1-34-751-915	1	ARMLEUNING, BESTUURSZETEL,
12	1-34-751-919	1	ADJUSTER, HEIGHT, , Einschließlich/Includes/Avec/Inklusive/Compreso 13 - 18
13	1-34-751-916	1	BLAASBALG,
14	3225292R1	4	PLUG,
15	1-34-751-917	2	GRIP,
16	1-34-751-729	2	KLINKNAGEL, , A6,0x12,0
17	1-34-751-929	1	TORSION SPRING,
18	1-34-751-918	1	SPRING, TENSION,
19	1-34-751-922	1	STEL ONDERDELEN,
20	3217415R1	2	VEER,
21	1-34-751-921	1	SCHOKDEMPER,
23	1-34-751-924	1	VEILIGHEIDSGORDEL,
24	1-34-751-926	1	REGELINGSSYST. RUGLEUNIN,
25	1-34-751-923	1	DRIVER,
26	864-8016	4	SCHROEF, Hex Soc Hd, M8 x 16, 8.8, , M8x16
27	1-34-751-925	1	FLEXIBELE KABEL,
28	1-34-751-791	1	SCHROEF, , M5x10
30	3402560R1	8	SLUITRING, M8.4,
31	1-34-751-927	1	HULS,
32	1-34-751-934	1	ZIJRELING,
34	864-8020	4	SCHROEF, Hex Soc Hd, M8 x 20, 8.8, , M8x20
35	1-34-751-931	1	LAGERBUS,
36	1-34-751-928	1	HOEKSTUK,
37	3402551R1	2	MOER, , AM8

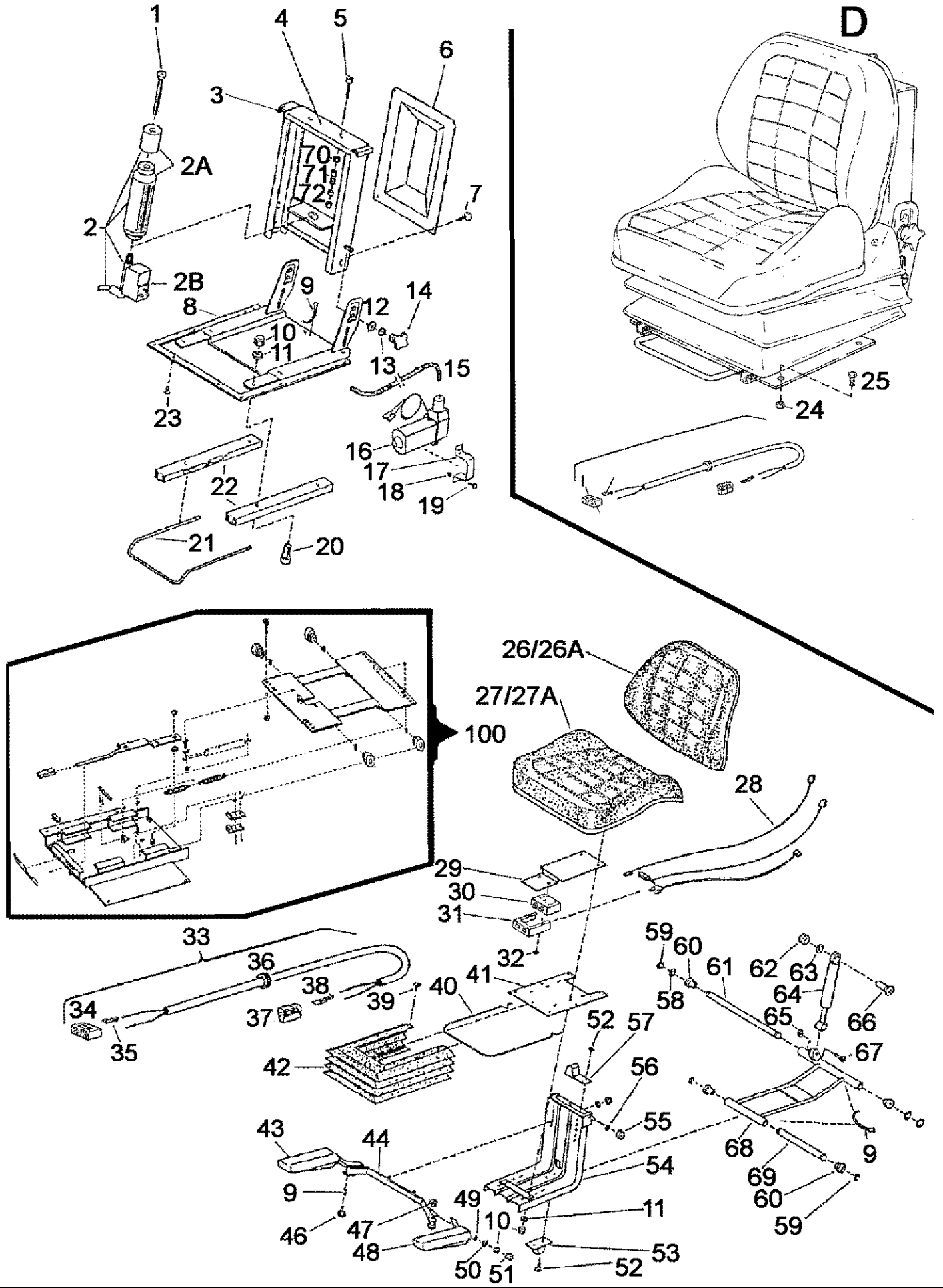
Ref	Onderdeelnummer	Kwt	Beschrijving
38	345784A1	1	STEUNBEUGEL,
39	354296A1	1	PLAAT, GROOT,
40	1-34-751-933	1	BEVESTIGINGSPLAAT,
41	1-34-751-932	1	SCHROEF, , M8x12
42	1-34-751-935	2	ZIJRELING,
43	1-34-751-761	3	SCHROEF, , M8x16
44	825-1408	2	MOER, M8, CI 8,
45	16043224	4	BOUT, Hex, M8 x 16, 8.8, Full Thd,





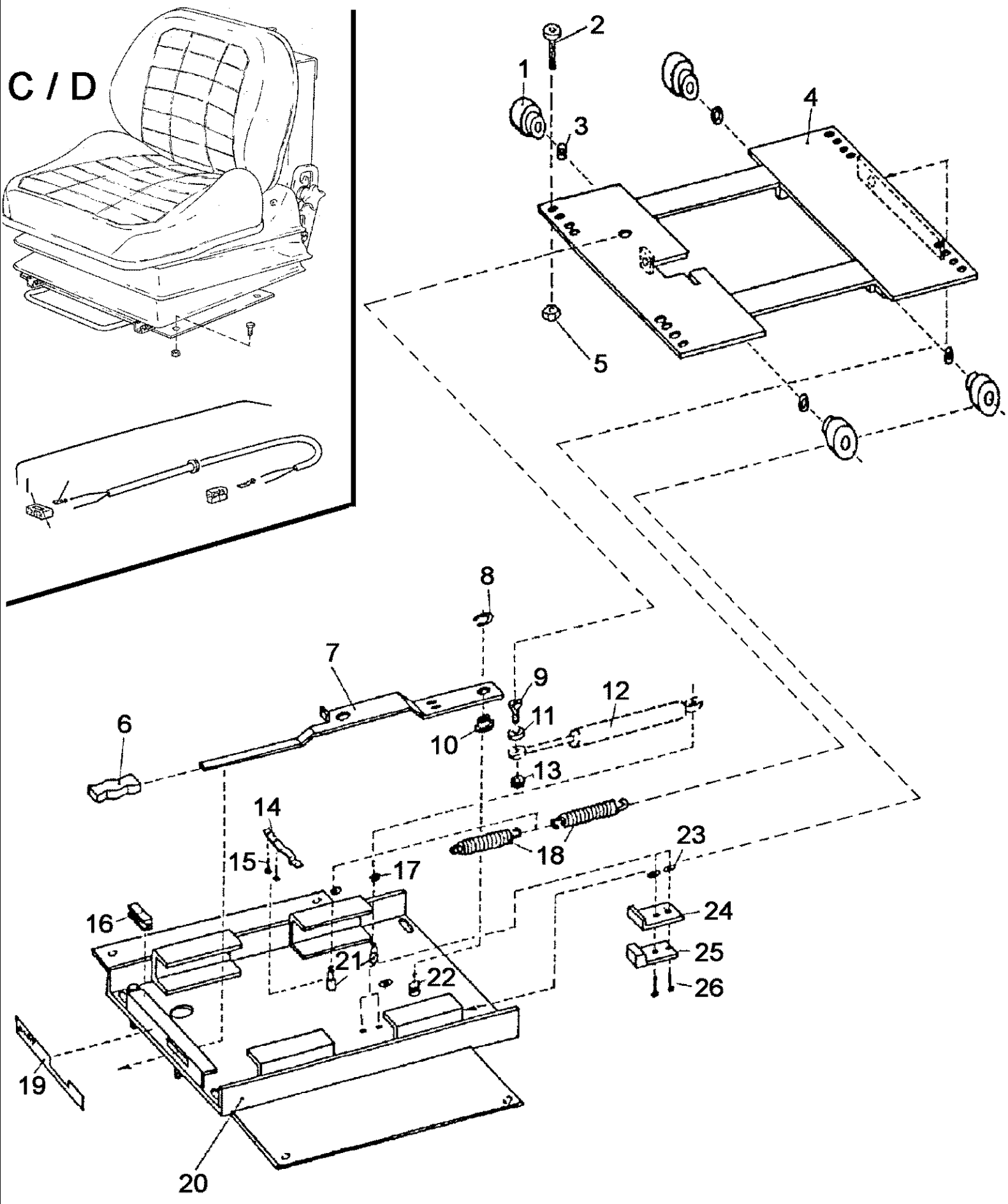
Ref	Onderdeelnummer	Kwt	Beschrijving
C	1-34-551-004	1	SEAT ASSY., , PVC - ----> ..... - Besteht aus/Consists of/Compose de/Bestående af/È composto da 1, 2, 3 - 10, 11 - 29, 30, 31 - 44, 50
C	1-34-551-104	1	SPIE, , PVC - ..... ----> - Ersetzt/Replaces/Remplace/Udskiftet/Sostituisce 1-34-551-004 - Besteht aus/Consists of/Compose de/Bestående af/È composto da 1A, 2A, 3 - 9, 10A, 11 - 28, 29A, 30A, 31 - 44, 50A, 31 - 44
C	1-34-551-005	1	SEAT ASSY., , Stoff/Textile material/Tissu/Stof/Tessuto - ----> ..... - Besteht aus/Consists of/Compose de/Bestående af/È composto da 1B, 2B, 3 - 10, 11 - 29, 31 - 44, 50
C	1-34-551-105	1	SPIE, , Stoff/Textile material/Tissu/Stof/Tessuto - ..... ----> - Ersetzt/Replaces/Remplace/Udskiftet/Sostituisce 1-34-551-005 - Besteht aus/Consists of/Compose de/Bestående af/È composto da 1C, 2C, 3 - 9, 10A, 11 - 28, 29A, 30A, 31 - 44, 50A, 31 - 44
1	1-34-751-018	1	CUSHION, , PVC - ----> .....
1A	1-34-751-581	1	BACKREST, , PVC - ..... ---->
1B	1-34-751-017	1	CUSHION, , Stoff/Textile material/Tissu/Stof/Tessuto - ----> ....., Grau/Grey/Gris/Grå/Grigio
1C	1-34-751-570	1	BACKREST, , Stoff/Textile material/Tissu/Stof/Tessuto - ..... ---->, Grün/Green/Vert/Grøn/Verde
2	1-34-751-015	1	CUSHION, , PVC - ----> .....
2A	1-34-751-580	1	SPIE, , PVC - ..... ---->
2B	1-34-751-012	1	CUSHION, , Stoff/Textile material/Tissu/Stof/Tessuto - ----> ....., Grau/Grey/Gris/Grå/Grigio
2C	1-34-751-569	1	SPIE, , Stoff/Textile material/Tissu/Stof/Tessuto - ..... ---->, Grün/Green/Vert/Grøn/Verde
3	1-34-751-051	1	BLAASBALG,
4	1-34-751-276	22	KLINKNAGEL,
5	1-34-751-244	3	BAIL,
6	1-34-751-245	1	BLAASBALG,
7	190003935471	4	SLUITRING, , A10,5-A3C
8	15896221	5	MOER, M6, CI 10, , M6-8-A2C, DIN934
9	NSS	4	NIET ALLEEN VERKRIJGBAAR,
10	1-34-751-057	2	STOOTSTUK, , ----> .....
10A	1-34-751-578	2	STOOTSTUK, , ..... ---->
11	1-34-751-019	1	ONDERSTEL, BESTUURDERSSTO,
12	190003936617	4	SLUITRING, , 9-A3C
13	1-34-751-258	4	PLATE, PLASTIC,
14	1-34-751-049	1	LINK, UPPER,
15	1-34-751-055	1	SHOCK ABSORBER,
16	190003802527	1	SCHROEF, , M10x30-8.8
17	1-34-751-274	1	OPVULPIJP,
18	190003935471	1	SLUITRING, , A10,5-A3C
19	1-34-751-042	1	MOER,
20	1-34-751-052	1	VEER,
21	337475	1	MOER, M12, CI 10,
22	1-34-751-054	2	SPRING, TENSION,
23	1-34-751-254	1	AFSTANDSSTUK VOOR BUIZEN,
24	190003936617	1	SLUITRING, , 9-A3C

Ref	Onderdeelnummer	Kwt	Beschrijving
25	1-34-751-025	2	GELEIDER,
26	1-34-751-053	1	SPINDLE,
27	1-34-751-258	1	PLATE, PLASTIC,
28	1-34-751-272	2	KLINKNAGEL,
29	1-34-751-056	2	STOOTSTUK, , ----> .....
29A	1-34-751-577	2	STOOTSTUK, , ..... ---->
30	1-34-751-020	1	RAAM, , ----> .....
30A	1-34-751-582	1	RAAM, , ..... ---->
31	1-34-751-026	1	COVER, PROTECTIVE,
32	1-34-751-273	2	KLINKNAGEL,
33	43362	4	MOER, M8, CI 10,
34	190003935469	4	SLUITRING, , A8,2-A3C
35	1-34-751-275	2	SCHIJF,
36	190003932016	2	WASHER, SPRING, , B12-FST-A3C
37	1-34-751-041	2	HENDEL,
38	1-34-751-038	1	BASIS,
39	1-34-751-047	1	AS,
40	1-34-751-050	1	AS,
41	190003932334	2	SCHIJF, , 13-140HV-A3C
42	1-34-751-266	1	HEFBOOM, , Nr.6
43	1-34-751-265	2	RAIL,
44	190003862419	4	SCHROEF, , M8X16-8.8
45	825-1408	2	MOER, M8, CI 8,
46	16043224	4	BOUT, Hex, M8 x 16, 8.8, Full Thd,
50	1-34-751-558	11	VEER, , Siehe nächste Seite(n)/See next page(s)/Voir page(s) suivante(s)/Se næste side(r)/Vedere pagin(a/e) seguent(e/i)

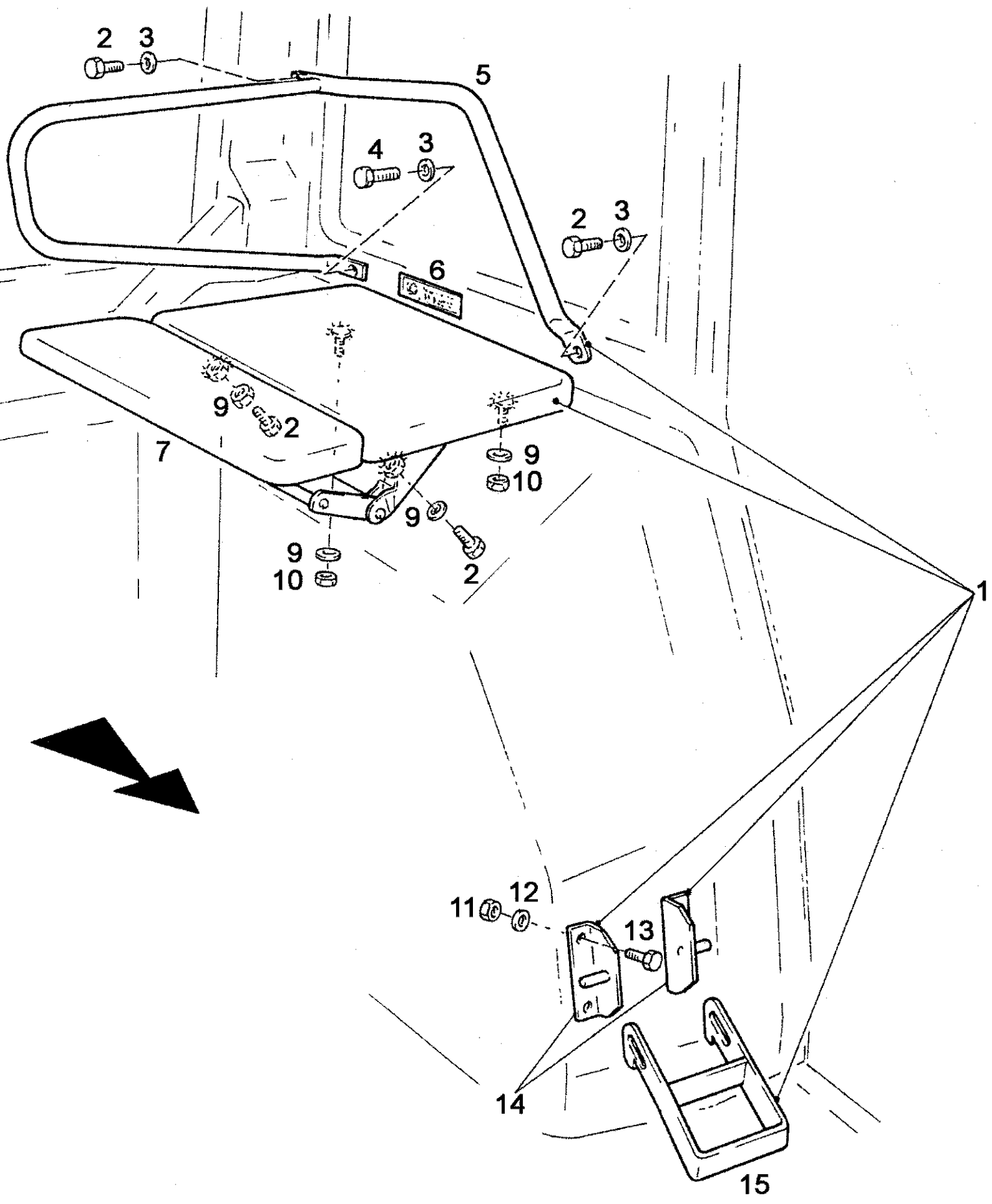


Ref	Onderdeelnummer	Kwt	Beschrijving
D	1-34-551-009	1	VEER, , Stoff/Textile material/Tissu/Stof/Tessuto - ----> ....., Besteht aus/Consists of/Compose de/Bestående af/È composto da 1 - 23, 26, 27, 28 - 72, 100
D	1-34-551-109	1	VEER, , Stoff/Textile material/Tissu/Stof/Tessuto - ..... ---->, Ersetzt/Replaces/Remplace/Udskiftet/Sostituisce 1-34-551-009 - Besteht aus/Consists of/Compose de/Bestående af/È composto da 1 - 12, 26A, 27A, 28 - 72, 100
1	NSS	1	NIET ALLEEN VERKRIJGBAAR,
2	1-34-751-238	1	TESTTOESTEL,
2A	1-34-751-271	1	BEDIENING, , Oben/Over/En 'haut/Ovenfor/Superiore
2B	1-34-751-321	1	STOOTLAGER, , Unten/Below/En bas/Nedenfor/Inferiore
3	1-34-751-261	1	GELEIDER,
4	1-34-751-262	1	RAAM,
5	190003822272	2	SCHROEF, , AM5X30-4.8-A2C
6	1-34-751-269	1	COVER,
7	190003844558	2	SCHROEF, , 6,3x16
8	1-34-751-264	1	BASIS,
9	190003171697	4	BEVESTIGINGSKLEM, , A5x180 / K02
10	43362	10	MOER, M8, CI 10,
11	190003935469	8	SLUITRING, , A8,2-A3C
12	190003932016	2	WASHER, SPRING, , B12-FST-A3C
13	190003930282	2	SCHIJF, , A13
14	1-34-751-263	2	HENDEL, , Rot/Red/Rouge/Rød/Rosso, M12x1,
15	1-34-751-322	1	FLEXIBELE BUIS,
16	1-34-751-267	1	COMPRESSOR,
17	1-34-751-268	2	CLAMP,
18	15896221	4	MOER, M6, CI 10, , M6-8-A2C, DIN934
19	86508568	4	BOUT, Hex, M6 x 16, 8.8,
20	190003862419	4	SCHROEF, , M8X16-8.8
21	1-34-751-266	1	HEFBOOM, , Nr.6
22	1-34-751-265	2	RAIL,
23	NSS	15	NIET ALLEEN VERKRIJGBAAR,
24	825-1408	2	MOER, M8, CI 8,
25	16043224	4	BOUT, Hex, M8 x 16, 8.8, Full Thd,
26	1-34-751-240	1	BACKREST, , ----> .....
26A	1-34-751-572	1	BACKREST, , ..... ---->
27	1-34-751-239	1	SPIE, , ----> .....
27A	1-34-751-571	1	SPIE, , ..... ---->
28	1-34-751-260	1	KABEL,
29	1-34-751-241	1	ANKER,
30	1-34-751-243	1	BEDIENING,
31	1-34-751-242	1	COVER, PROTECTIVE,
32	190003843106	2	SCHROEF, , St4,2x9,5

Ref	Onderdeelnummer	Kwt	Beschrijving
33	1-41-177-086	1	KABEL, , Besteht aus/Consists of/Compose de/Bestående af/È composto da 34 - 38
34	179100770390	1	CONTACTDOOS, , M24 ; 5-Polig / 5-pole / À 5 pôle / 5-polet / 5 polo
35	1880770005	2	KABELSCHOEN, , G03
36	190003120098	1	KABELDOORGANG, , 8x1/20
37	199014770059	1	HUIS, , N06
38	1390770002	2	TERMINAL, SPADE, , F01
39	NSS	8	NIET ALLEEN VERKRIJGBAAR,
40	1-34-751-244	4	BAIL,
41	1-34-751-245	1	BLAASBALG,
42	1-34-751-236	1	BLAASBALG,
43	1-34-751-247	1	ARM, , Rechts/Right/Droite/Højre/Destra
44	1-34-751-246	1	ARM,
46	NSS	2	NIET ALLEEN VERKRIJGBAAR,
47	NSS	2	NIET ALLEEN VERKRIJGBAAR,
48	1-34-751-249	1	ARM, , Links/Left/Gauche/Venstre/Sinistro
49	190003930261	2	SLUITRING, , A8,4
50	190003932030	2	SCHIJFVEER, , A8-FST-A3C
51	1-34-751-250	2	COVER, PROTECTIVE,
52	NSS	4	NIET ALLEEN VERKRIJGBAAR,
53	1-34-751-251	1	STOOTSTUK, , Unten/Below/En bas/Nedenfor/Inferiore
54	1-34-751-252	1	SPIE,
55	1-34-751-253	2	PLATE, PLASTIC,
56	1-34-751-254	2	AFSTANDSSTUK VOOR BUIZEN,
57	1-34-751-255	1	BUFFER, RUBBER, , Oben/Over/En 'haut/Ovenfor/Superiore
58	190003930251	2	SCHIJF, , A6,4-140HV-A3C
59	190003936617	4	SLUITRING, , 9
60	1-34-751-258	4	PLATE, PLASTIC,
61	1-34-751-259	1	AS, , Ø 12x227
62	43362	1	MOER, M8, CI 10,
63	190003930261	1	SLUITRING, , A8,4
64	1-34-751-320	1	CYLINDER, GAS,
65	190003888451	1	MOER, , VM8-8
66	190003825447	1	SCHROEF, , M8X35-4.8-A2C
67	190003822440	1	SCHROEF, , M8X30-4.8-A2C
68	1-34-751-256	1	LINK, UPPER,
69	1-34-751-257	1	AS,
70	190003930241	4	SLUITRING, , A5,3-140HV-A3C
71	1-34-751-248	2	SPRING, COMPRESSION,
72	190003888450	2	MOER, , VM5-8-A2C
100	1-34-751-558	1	VEER, , Siehe nächste Seite(n)/See next page(s)/Voir page(s) suivante(s)/Se næste side(r)/Vedere pagin(a/e) seguent(e/i)



Ref	Onderdeelnummer	Kwt	Beschrijving
C	1-34-551-004	1	SEAT ASSY., , PVC, ----> .....
C	1-34-551-104	1	SPIE, , PVC, ..... ---->
C	1-34-551-005	1	SEAT ASSY., , Stoff/Textile material/Tissu/Stof/Tessuto, ----> .....
C	1-34-551-105	1	SPIE, , Stoff/Textile material/Tissu/Stof/Tessuto, ..... ---->
D	1-34-551-009	1	VEER, , Stoff/Textile material/Tissu/Stof/Tessuto, ----> .....
D	1-34-551-109	1	VEER, , Stoff/Textile material/Tissu/Stof/Tessuto, ..... ---->
-	1-34-751-558	1	VEER, , Besteht aus/Consists of/Compose de/Bestående af/È composto da 1 - 26
1	1-34-751-545	4	ROL,
2	190003862419	4	SCHROEF, , M8X16-8.8
3	NSS	6	NIET ALLEEN VERKRIJGBAAR,
4	NSS	1	NIET ALLEEN VERKRIJGBAAR,
5	825-1408	4	MOER, M8, CI 8,
6	1-34-751-548	1	HENDEL,
7	1-34-751-323	1	HEFBOOM,
8	190003936617	1	SLUITRING, , 9-A3C
9	NSS	1	NIET ALLEEN VERKRIJGBAAR,
10	1-34-751-549	1	LAGERBUS,
11	190003932961	1	SCHIJF, , B11-ST-A3C
12	1-34-751-319	1	CYLINDER, GAS,
13	43362	1	MOER, M8, CI 10,
14	1-34-751-551	1	VEER,
15	NSS	2	NIET ALLEEN VERKRIJGBAAR,
16	1-34-751-550	1	RUBBER,
17	190003936616	2	SLUITRING, , 6-A3C
18	1-34-751-547	2	SPRING, TENSION,
19	NSS	1	NIET ALLEEN VERKRIJGBAAR,
20	NSS	1	NIET ALLEEN VERKRIJGBAAR,
21	NSS	2	NIET ALLEEN VERKRIJGBAAR,
22	NSS	1	NIET ALLEEN VERKRIJGBAAR,
23	190003936100	2	SLUITRING, , 5,3-140HV-A3C
24	NSS	1	NIET ALLEEN VERKRIJGBAAR,
25	1-34-751-552	1	BUFFER, RUBBER,
26	NSS	2	NIET ALLEEN VERKRIJGBAAR,



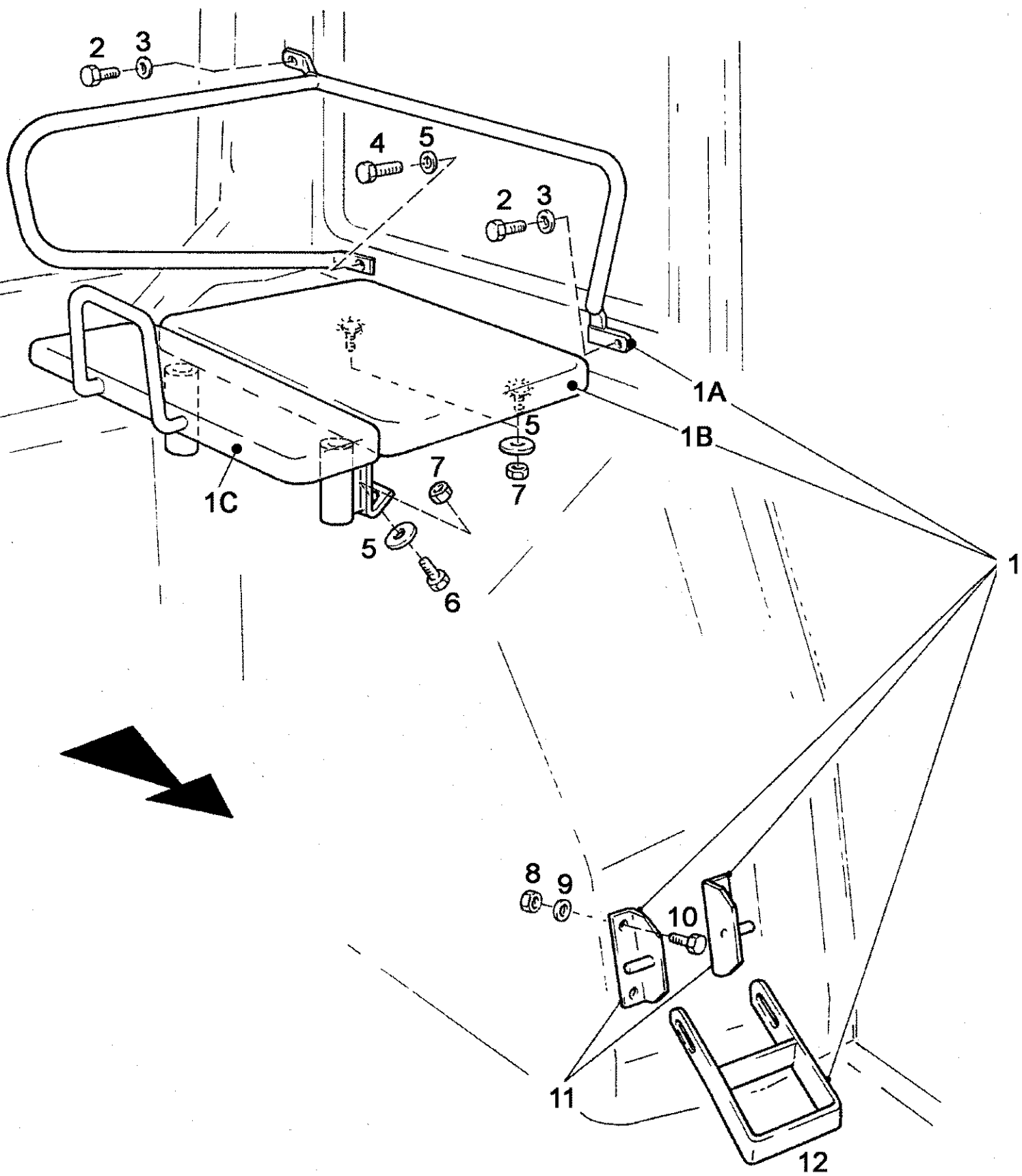


955 STEYR TRACTOR (2/92-6/97) - Chassis

09B-35(01) SEAT CO-WORKER / ----> .....

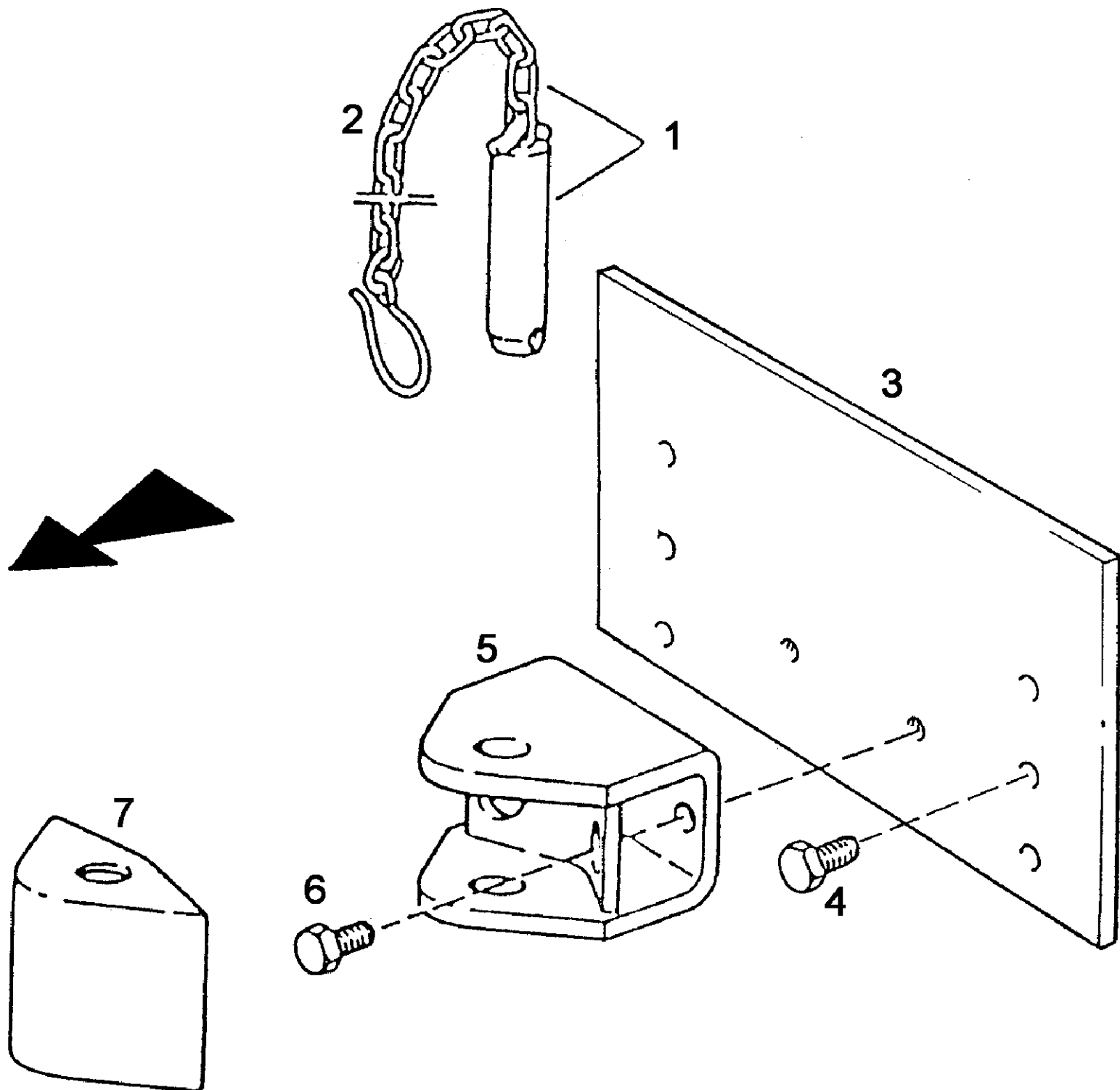
Ref	Onderdeelnummer	Kwt	Beschrijving
1	1-34-552-100	1	SPIE, , Besteht aus/Consists of/Compose de/Bestående af/È composto da 5, 7, 14, 15
2	16043224	4	BOUT, Hex, M8 x 16, 8.8, Full Thd,
3	190003930261	3	SLUITRING, , A8,4
4	43127	1	BOUT, Hex, M8 x 25, 8.8,
5	1-34-552-102	1	STEUNBEUGEL,
6	1-34-552-001	1	PLAAT, GROOT,
7	1-34-552-101	1	SPIE,
9	190003936103	4	SLUITRING, , 8,4-140HV-A3C-DIN9021
10	43362	2	MOER, M8, CI 10,
11	15896221	4	MOER, M6, CI 10, , M6-8-A2C, DIN934
12	190003932612	4	SCHIJF, , R6,6-100HV-A3
13	190003825331	4	SCHROEF, , M6X20
14	1-34-552-103	1	HOEKSTUK,
15	1-34-552-104	1	VOET,
	190003840048	2	SCHROEF, , AM8X20-ST-A2

----> .....



Ref	Onderdeelnummer	Kwt	Beschrijving
1	1-34-552-210	1	PASSAGIERSZETEL, , Einschließlich/Includes/Avec/Inklusive/Compreso 11, 12 - Ersetzt/Replaces/Remplace/Udskiftet/Sostituisce 1-34-552-100, 1-34-552-101, 1-34-551-200
1A	1-34-552-202	1	ACHTERKANT,
1B	1-34-552-203	1	STEUN,
1C	1-34-552-211	1	PASSAGIERSZETEL,
2	16043224	2	BOUT, Hex, M8 x 16, 8.8, Full Thd,
3	190003930261	3	SLUITRING, , A8,4
4	43127	1	BOUT, Hex, M8 x 25, 8.8,
5	190003936103	4	SLUITRING, , 8,4-140HV-A3C-DIN9021
6	16043224	2	BOUT, Hex, M8 x 16, 8.8, Full Thd,
	190003840048	2	SCHROEF, , AM8X20-ST-A2
7	43362	2	MOER, M8, CI 10,
8	15896221	4	MOER, M6, CI 10, , M6-8-A2C, DIN934
9	190003932612	4	SCHIJF, , R6,6-100HV-A3
10	190003825331	4	SCHROEF, , M6X20
11	1-34-552-103	1	HOEKSTUK,
12	1-34-552-104	1	VOET,

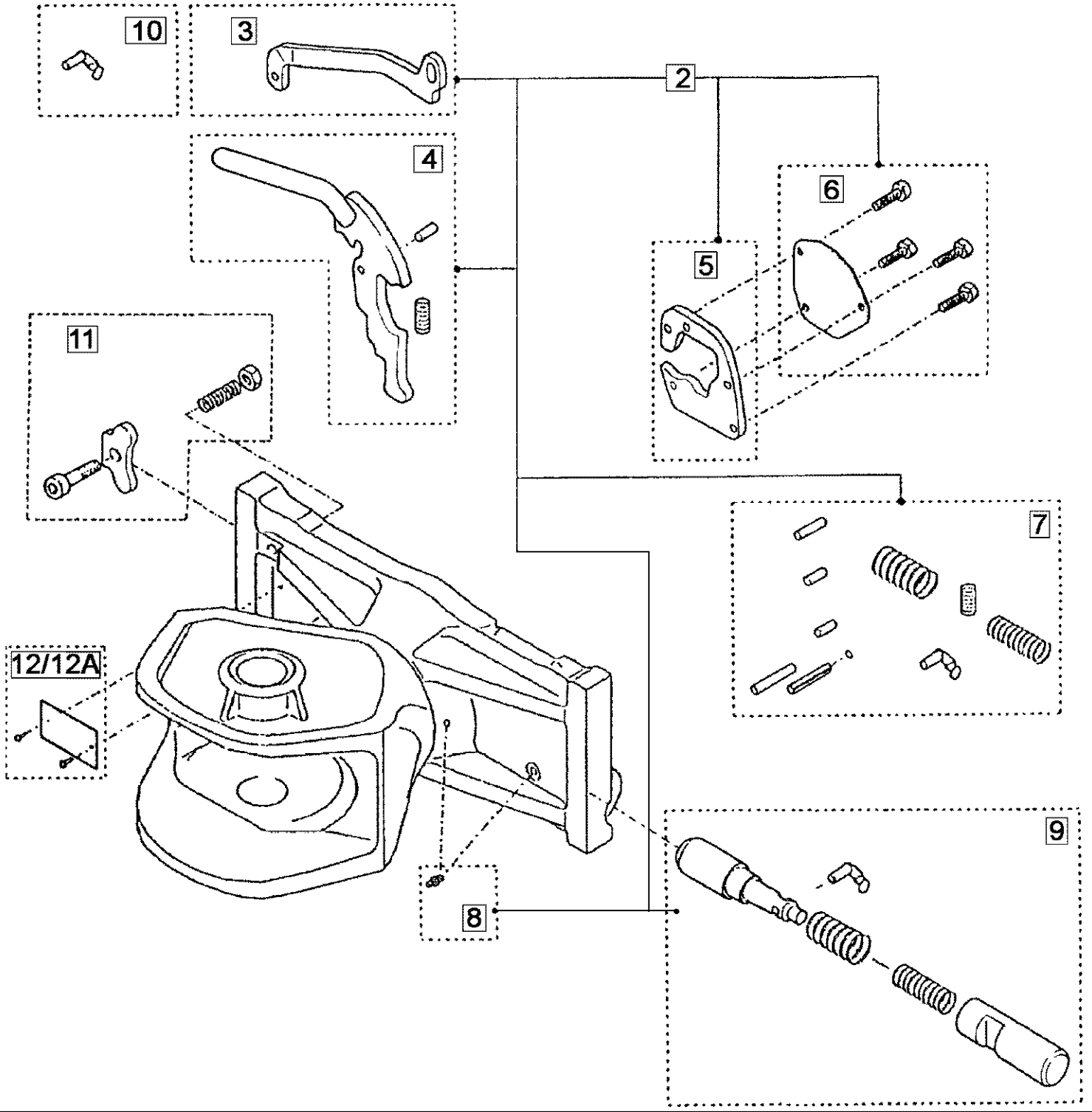
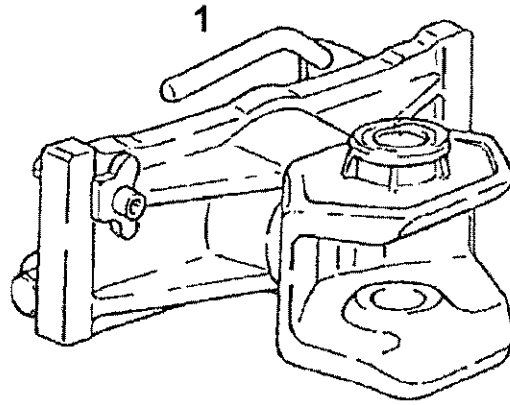




## 09C-01(01) FRONT HITCH DEVICE

Ref	Onderdeelnummer	Kwt	Beschrijving
1	1292930028	1	PIN, LARGE, , Einschließlich/Includes/Avec/Inklusive/Compreso 2
2	1292930003	1	KETTING,
3	1-33-241-032	1	VOORPLAAT,
4	43167	6	BOUT, Hex, M16 x 30, 8.8, Full Thd, , M16x30-8.8
5	133700930008	1	TREKHAAK,
6	190003802724	2	SCHROEF, , M14x30-8.8
7	133700930012	1	FAIRING, LIGHT,

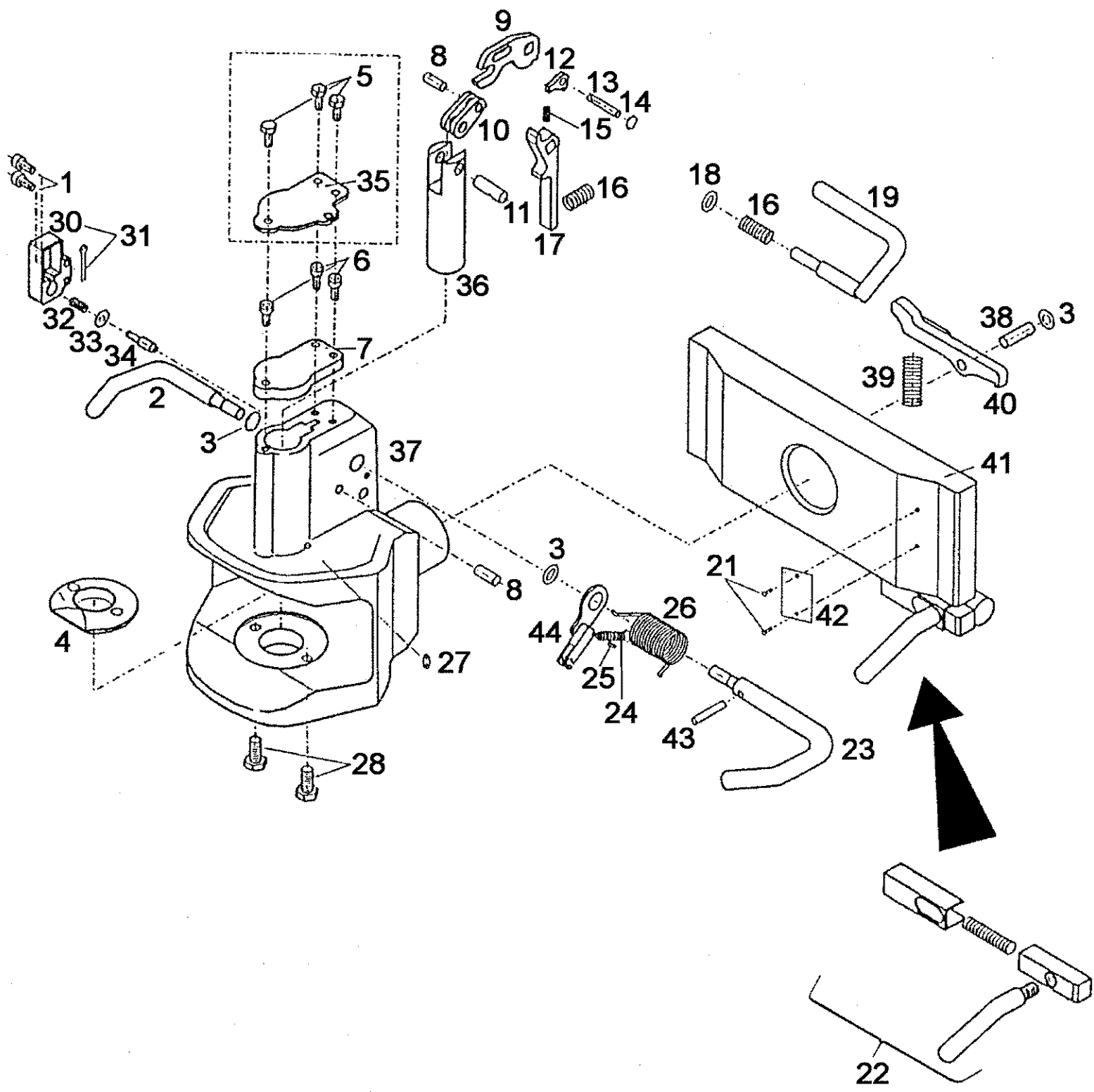
09C-02(01) TRAILER HITCH



## 09C-02(01) TRAILER HITCH

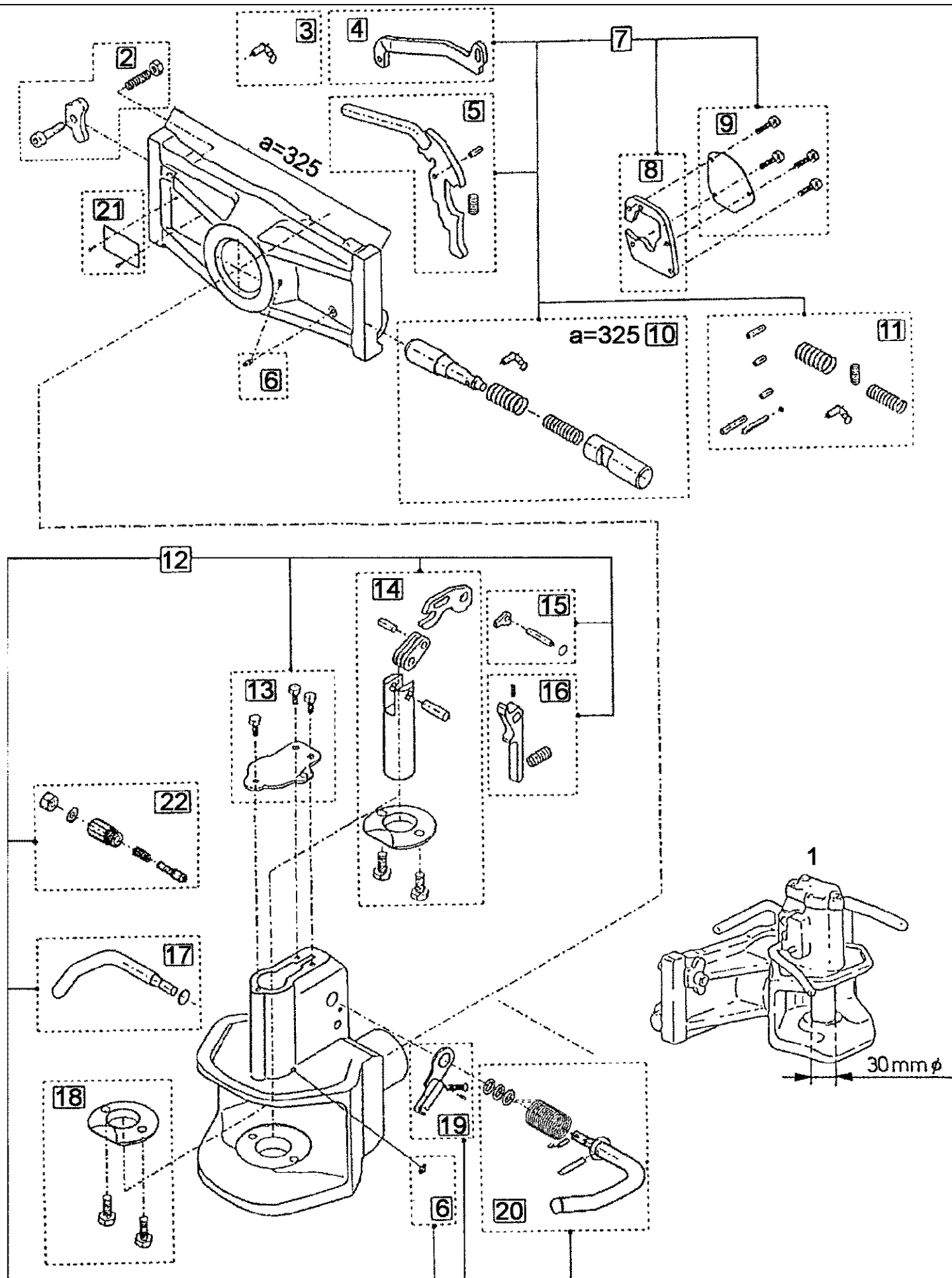
Ref	Onderdeelnummer	Kwt	Beschrijving
1	1-32-393-056	1	TREKHAAK, , Besteht aus/Consists of/Compose de/Bestående af/È composto da 2 - 11, 12A - Ersetzt/Replaces/Remplace/Udskiftet/Sostituisce 155700930013, 155700930031
2	1-32-793-029	1	STEL ONDERDELEN,
3	1-32-793-022	1	HEFBOOM,
4	155700930738	1	HANDGREEP,
5	1-32-793-023	1	GELEIDER,
6	1-32-793-025	1	DEKSEL,
7	1-32-793-026	1	STEL ONDERDELEN,
8	190003963106	2	SMEERNIPPEL, M6 x 1, , AM6
9	155700930739	1	KLINK,
10	155700930740	1	PEN,
11	1-32-793-028	1	BORGPLAAT,
12	340520A1	1	IDENTIFICATIEPLAAT, , ----> .....
12A	NSS	1	NIET ALLEEN VERKRIJGBAAR, , ..... ---->



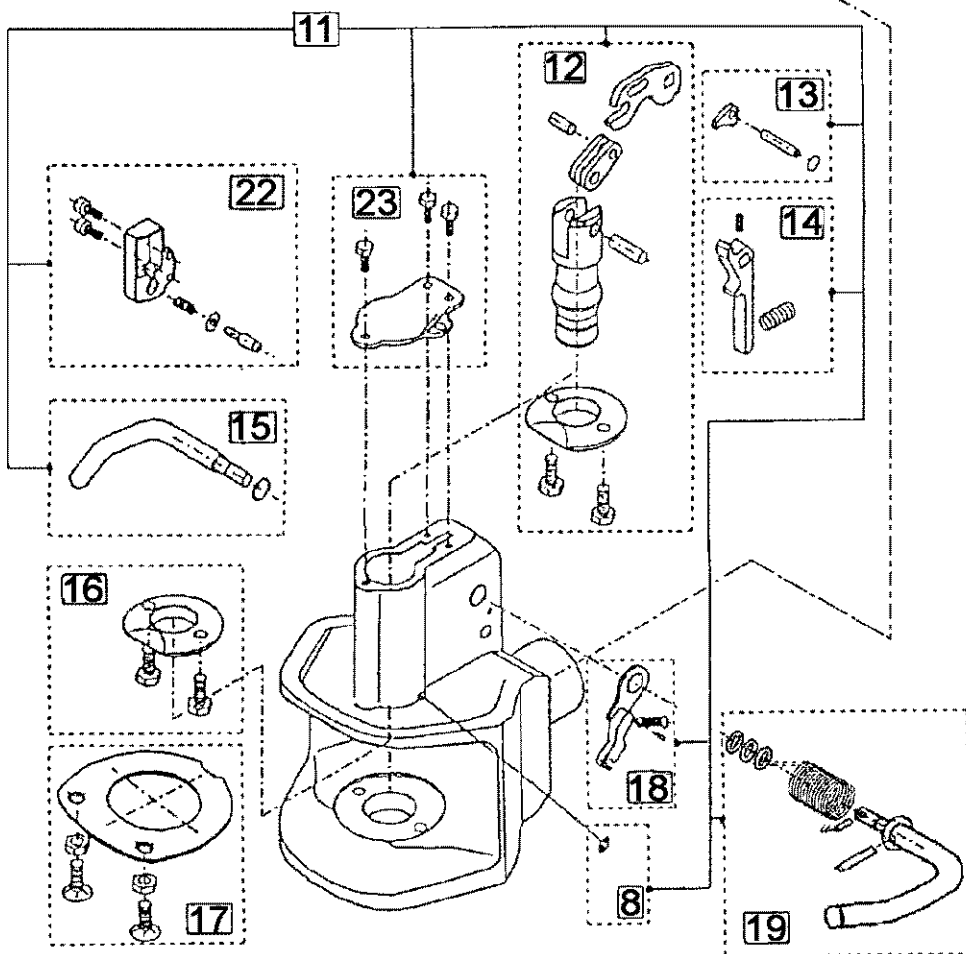
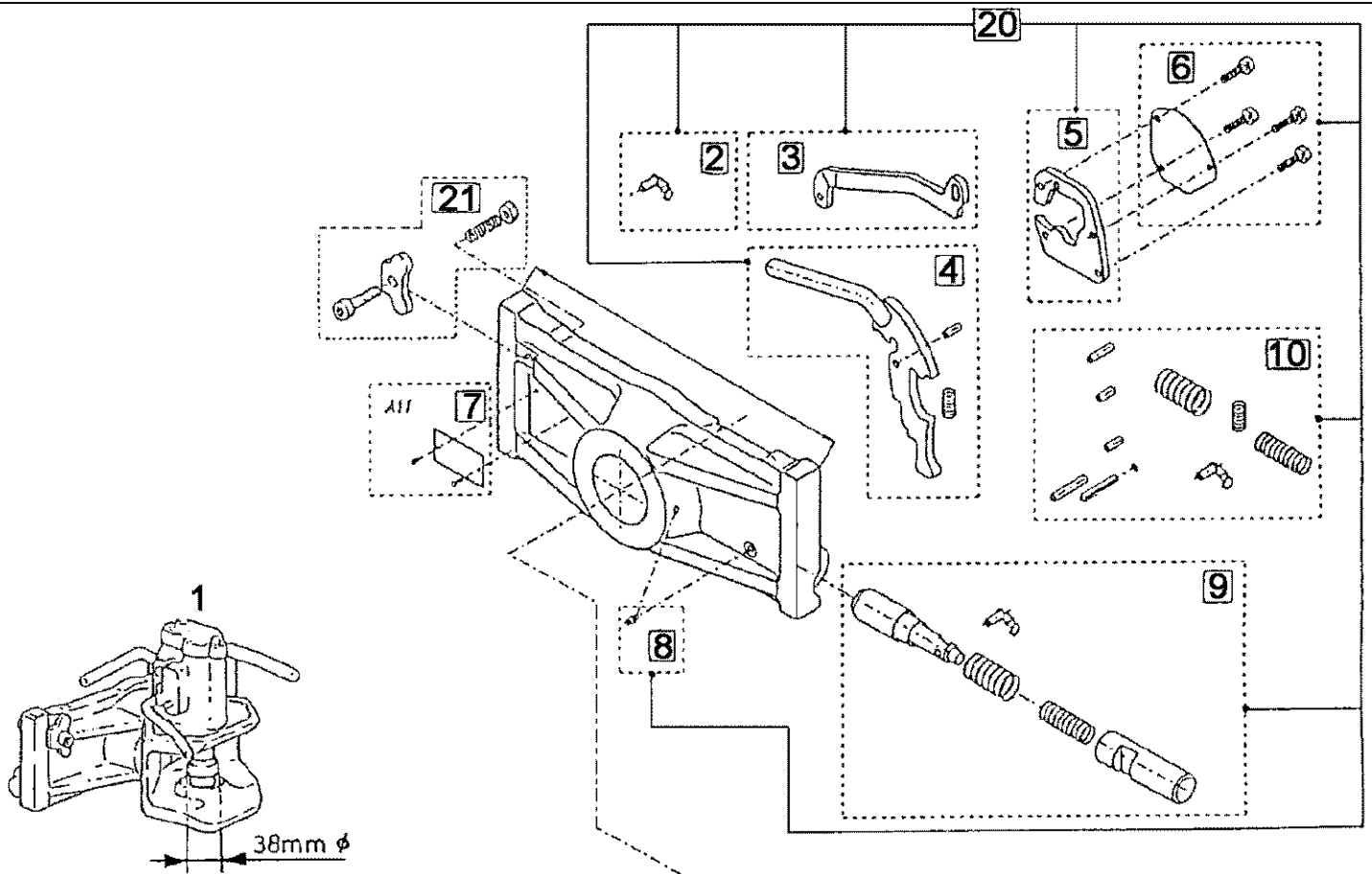


Ref	Onderdeelnummer	Kwt	Beschrijving
	133700930084	1	HITCH ASSY, TRAILER, , Besteht aus/Consists of/Compose de/Bestående af/È composto da 1 - 44
1	190003862310	2	SCHROEF, , M6X12-8.8-A2R
2	133700930737	1	SCHAKELAAR,
3	133700930795	2	SNIJRING,
4	133700930801	1	LAGERBUS,
5	86508568	3	BOUT, Hex, M6 x 16, 8.8,
6	190003862096	3	SCHROEF, , M6x12-8.8-A2C
7	133700930804	1	COVER,
8	133700930798	3	PIN, LARGE,
9	133700930789	1	HEFBOOM,
10	133700930788	1	LINK ASSY.,
11	133700930797	1	PIN, LARGE,
12	133700930791	1	PAL,
13	133700930796	1	PIN, LARGE,
14	133700930799	1	SNIJRING,
15	133700930794	1	SPRING, COMPRESSION,
16	133700930793	1	SPRING, COMPRESSION,
17	133700930790	1	HAAK,
19	133700930800	1	GRIP,
21	190003904536	2	PIN , HEADLESS, , 3x6
22	133700930739	1	VERGRENDELING,
23	133700930738	1	GRIP,
24	133700930802	1	SPRING, TENSION,
25	190003900045	1	PEN, , 3M6x10
26	133700930792	1	VEER,
27	190003963106	1	SMEERNIPPEL, M6 x 1, , AM6
28	120104	2	BOUT, Hex, M8 x 20, 8.8,
30	NSS	1	NIET ALLEEN VERKRIJGBAAR,
31	NSS	1	NIET ALLEEN VERKRIJGBAAR,
32	NSS	1	NIET ALLEEN VERKRIJGBAAR,
33	NSS	1	NIET ALLEEN VERKRIJGBAAR,
34	NSS	1	NIET ALLEEN VERKRIJGBAAR,
35	NSS	1	NIET ALLEEN VERKRIJGBAAR,
36	NSS	1	NIET ALLEEN VERKRIJGBAAR,
37	NSS	1	NIET ALLEEN VERKRIJGBAAR,
38	NSS	1	NIET ALLEEN VERKRIJGBAAR,
39	NSS	1	NIET ALLEEN VERKRIJGBAAR,
40	NSS	1	NIET ALLEEN VERKRIJGBAAR,
41	NSS	1	NIET ALLEEN VERKRIJGBAAR,
42	NSS	1	NIET ALLEEN VERKRIJGBAAR,
43	NSS	1	NIET ALLEEN VERKRIJGBAAR,

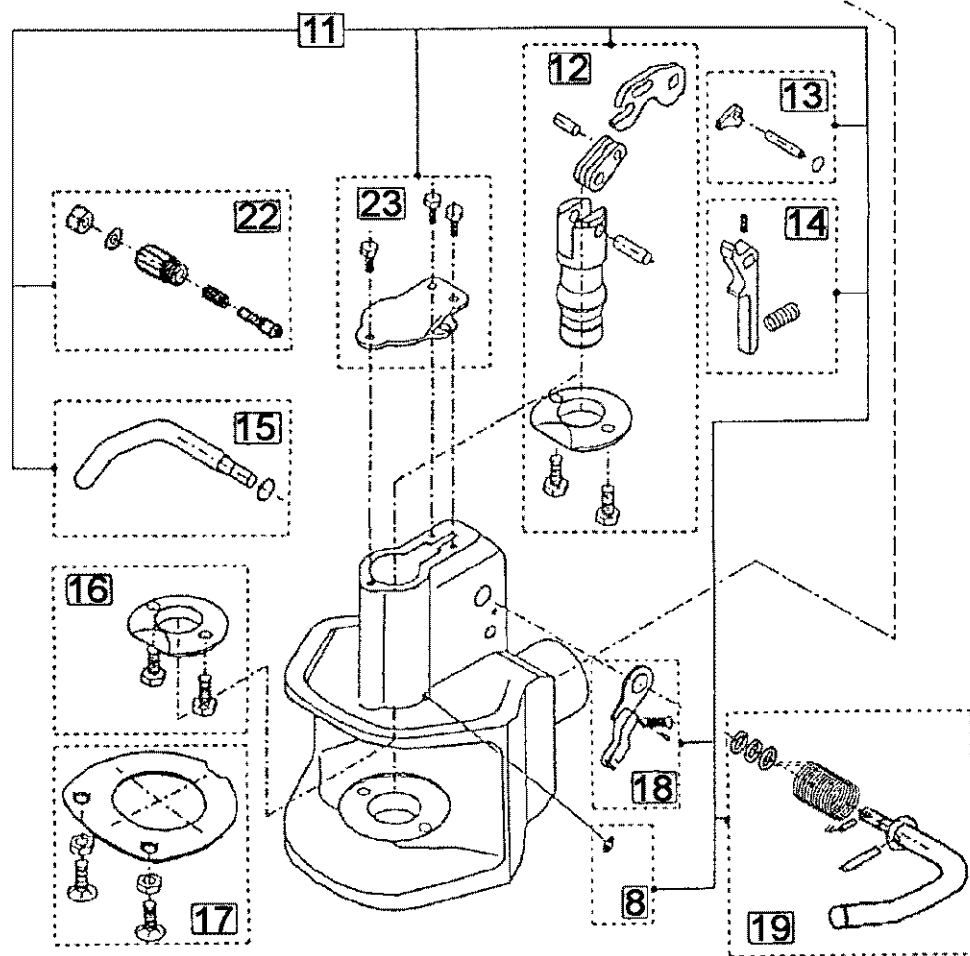
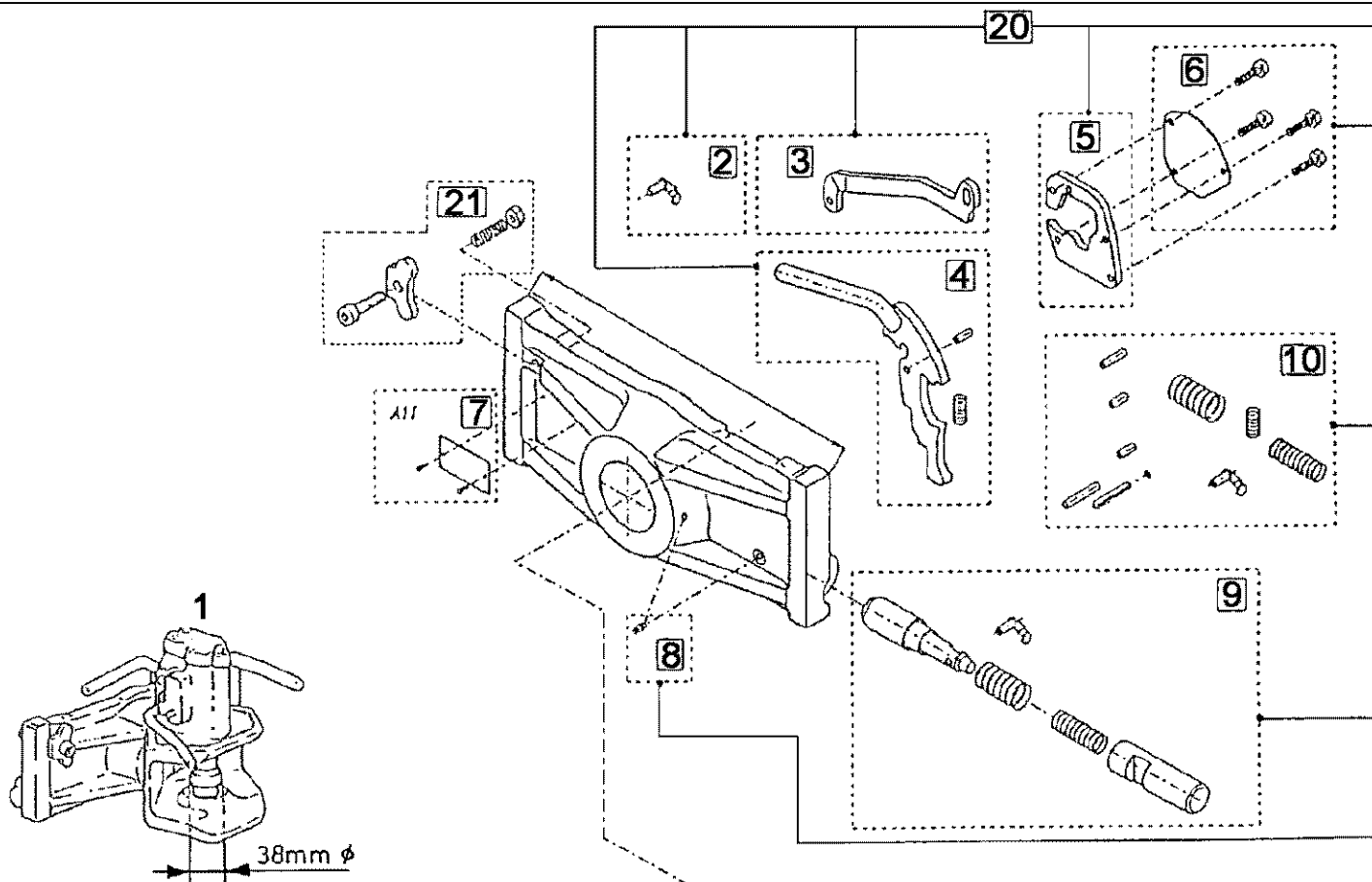
Ref	Onderdeelnummer	Kwt	Beschrijving
44	NSS	1	NIET ALLEEN VERKRIJGBAAR,



Ref	Onderdeelnummer	Kwt	Beschrijving
1	1-32-393-050	1	TREKHAAK, , Besteht aus/Consists of/Composé de/Bestående af/È composto da 2 - 22 - Ersetzt/Replaces/Remplace/Udskiftet/Sostituisce 133700930084, 155700930010, 155700930032
2	1-32-793-028	1	BORGPLAAT,
3	155700930740	1	PEN,
4	1-32-793-022	1	HEFBOOM,
5	155700930738	1	HANDGREEP,
6	190003963106	1/2	SMEERNIPPEL, M6 x 1, , AM6
7	1-32-793-029	1	STEL ONDERDELEN, , Einschließlich/Includes/Avec/Inklusive/Compreso 4 - 6, 8 - 11
8	1-32-793-023	1	GELEIDER,
9	1-32-793-025	1	DEKSEL,
10	155700930739	1	KLINK,
11	1-32-793-026	1	STEL ONDERDELEN,
12	NSS	1	NIET ALLEEN VERKRIJGBAAR, , Einschließlich/Includes/Avec/Inklusive/Compreso 6, 13 - 17, 19, 20
13	133700930757	1	DEKSEL,
14	155700930730	1	PEN,
15	155700930734	1	KIT,
16	155700930733	1	HAAK,
17	155700930735	1	HANDGREEP,
18	NSS	1	NIET ALLEEN VERKRIJGBAAR,
19	155700930728	1	HEFBOOM,
20	155700930727	1	ACTUATOR,
21	NSS	1	NIET ALLEEN VERKRIJGBAAR,
22	NSS	1	NIET ALLEEN VERKRIJGBAAR,

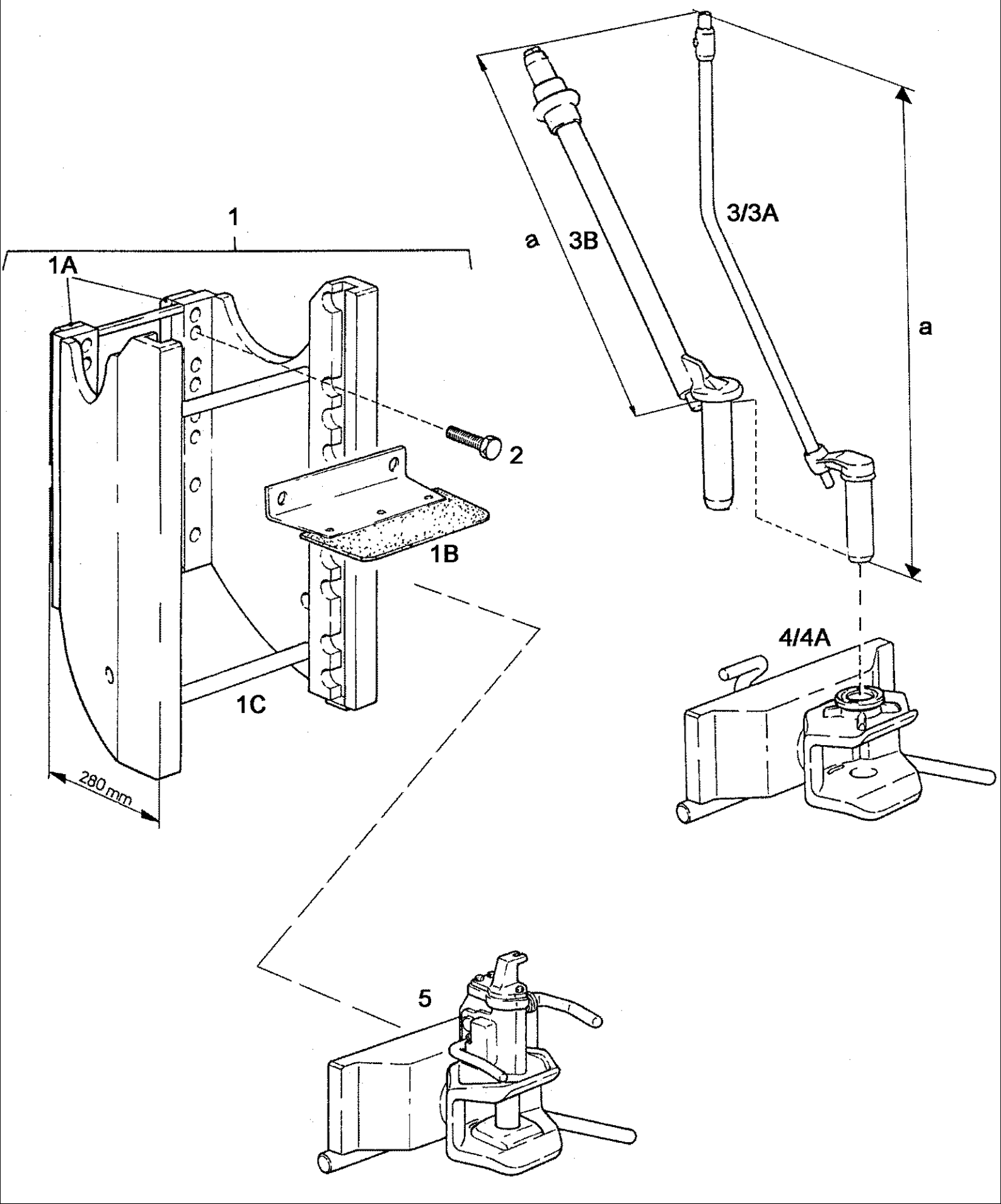


Ref	Onderdeelnummer	Kwt	Beschrijving
1	155700930033	1	HITCH ASSY, TRAILER, , Besteht aus/Consists of/Compose de/Bestående af/È composto da 2 - 23
2	155700930740	1	PEN,
3	1-32-793-022	1	HEFBOOM,
4	155700930738	1	HANDGREEP,
5	1-32-793-023	1	GELEIDER,
6	1-32-793-025	1	DEKSEL,
7	NSS	1	NIET ALLEEN VERKRIJGBAAR,
8	190003963106	3	SMEERNIPPEL, M6 x 1, , AM6
9	155700930739	1	KLINK,
10	1-32-793-026	1	STEL ONDERDELEN,
11	NSS	1	NIET ALLEEN VERKRIJGBAAR, , Besteht aus/Consists of/Compose de/Bestående af/È composto da 8, 12 - 15, 18, 19, 23
12	155700930729	1	PIN, HITCH,
13	155700930734	1	KIT,
14	155700930733	1	HAAK,
15	155700930735	1	HANDGREEP,
16	299533A1	1	LAGERBUS,
17	155700930741	1	PLAAT,
18	155700930736	1	HEFBOOM,
19	155700930727	1	ACTUATOR,
20	1-32-793-029	1	STEL ONDERDELEN, , Besteht aus/Consists of/Compose de/Bestående af/È composto da 2 - 6, 8 - 1
21	1-32-793-028	1	BORGPLAAT,
22	155700930737	1	PLAAT, GROOT,
23	NSS	1	NIET ALLEEN VERKRIJGBAAR,

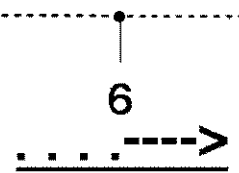
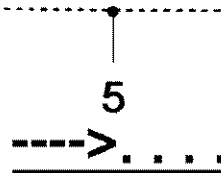
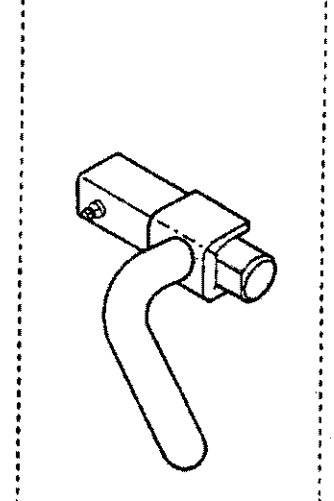
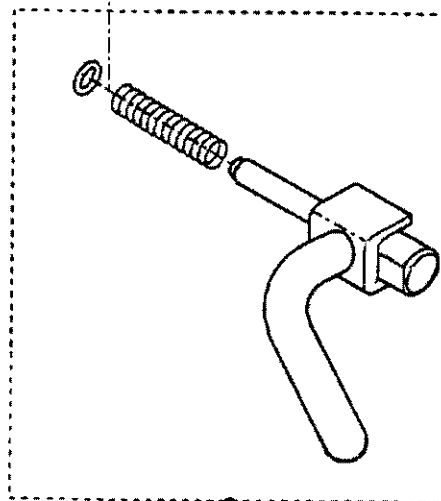
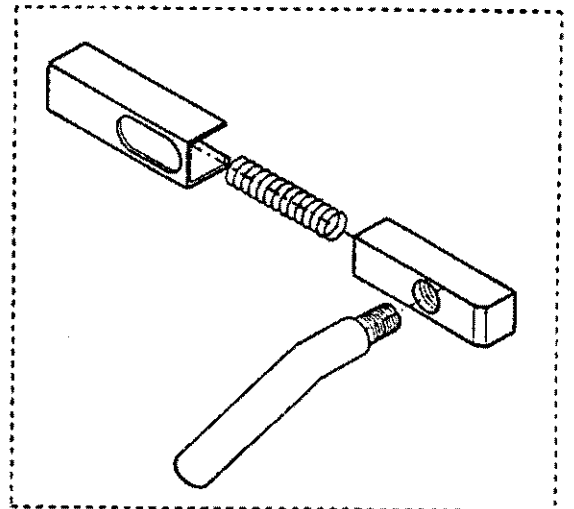
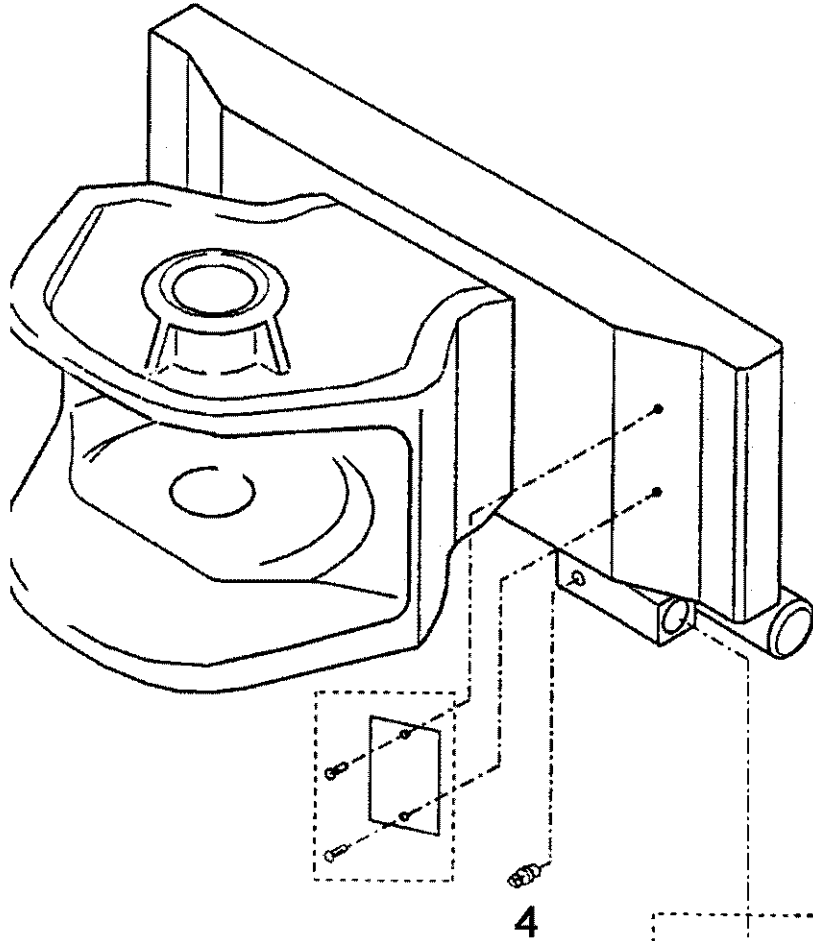
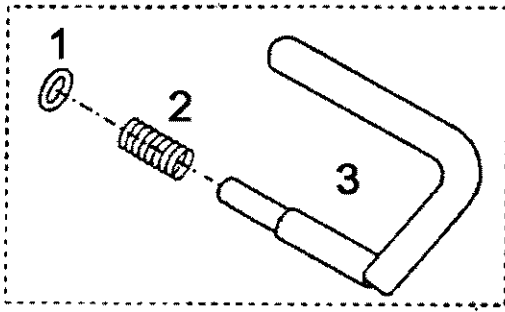




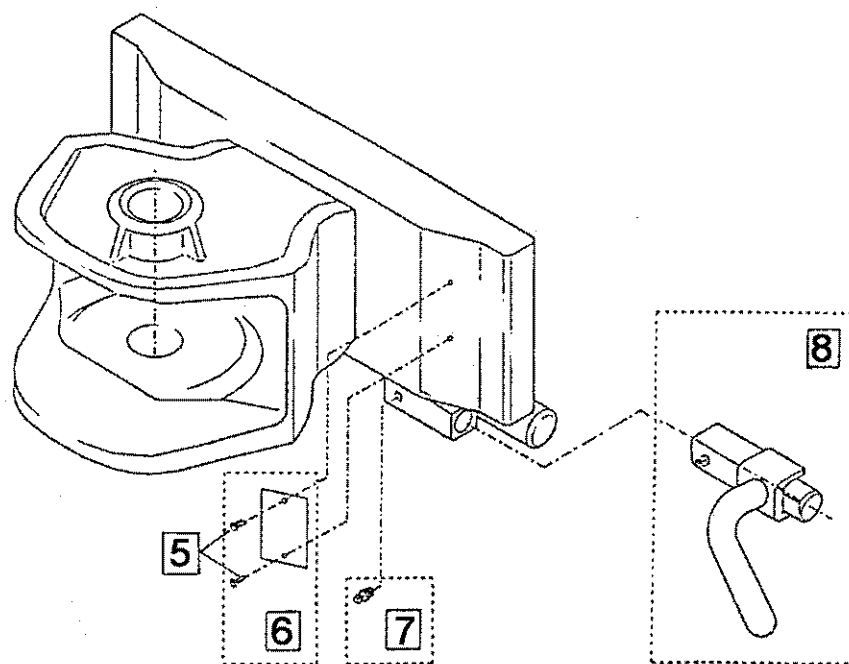
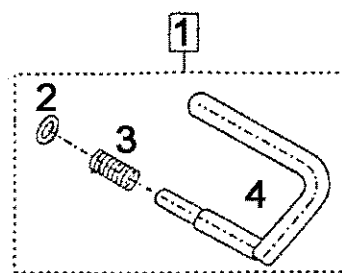
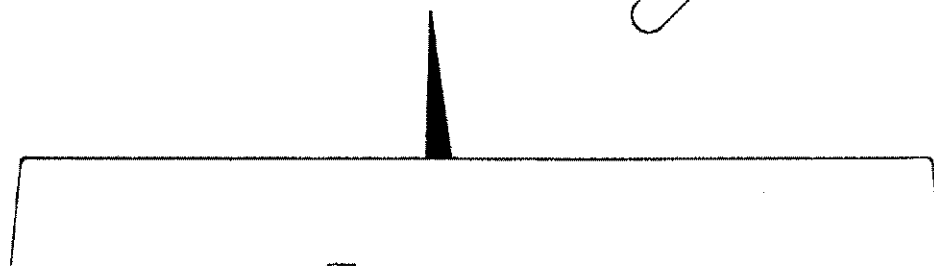
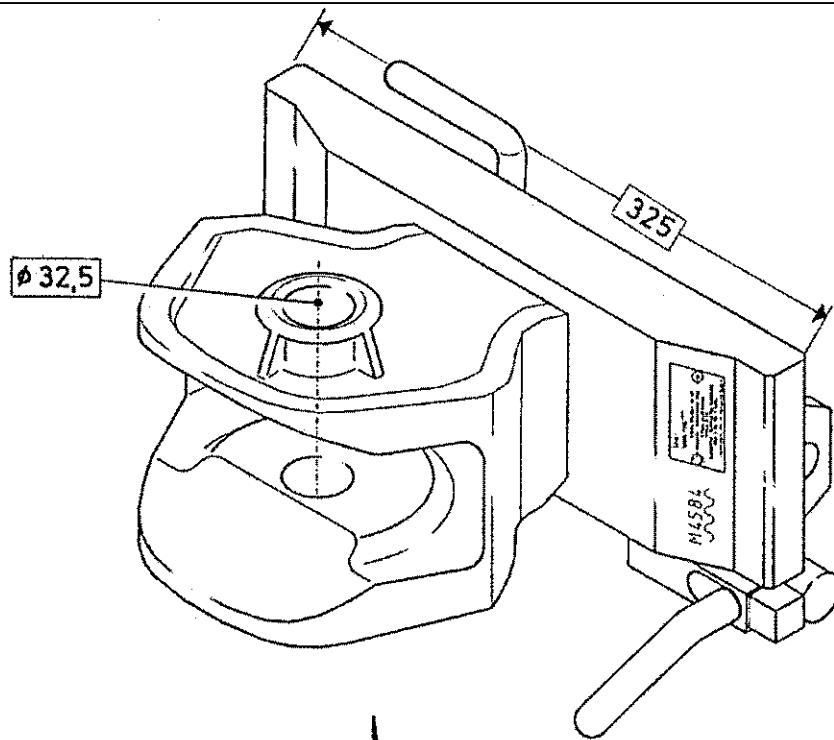
Ref	Onderdeelnummer	Kwt	Beschrijving
1	1-32-393-051	1	TREKHAAK, , Besteht aus/Consists of/Compose de/Bestående af/È composto da 2 - 23 - Ersetzt/Replaces/Remplace/Udskiftet/Sostituisce 155700930033
2	155700930740	1	PEN,
3	1-32-793-022	1	HEFBOOM,
4	155700930738	1	HANDGREEP,
5	1-32-793-023	1	GELEIDER,
6	1-32-793-025	1	DEKSEL,
7	NSS	1	NIET ALLEEN VERKRIJGBAAR,
8	190003963106	3	SMEERNIPPEL, M6 x 1, , AM6
9	155700930739	1	KLINK,
10	1-32-793-026	1	STEL ONDERDELEN,
11	NSS	1	NIET ALLEEN VERKRIJGBAAR, , Besteht aus/Consists of/Compose de/Bestående af/È composto da 8, 12 - 15, 18, 19, 23
12	155700930729	1	PIN, HITCH,
13	155700930734	1	KIT,
14	155700930733	1	HAAK,
15	155700930735	1	HANDGREEP,
16	299533A1	1	LAGERBUS,
17	155700930741	1	PLAAT,
18	155700930736	1	HEFBOOM,
19	155700930727	1	ACTUATOR,
20	1-32-793-029	1	STEL ONDERDELEN, , Besteht aus/Consists of/Compose de/Bestående af/È composto da 2 - 6, 8 - 1
21	1-32-793-028	1	BORGPLAAT,
22	NSS	1	NIET ALLEEN VERKRIJGBAAR,
23	NSS	1	NIET ALLEEN VERKRIJGBAAR,



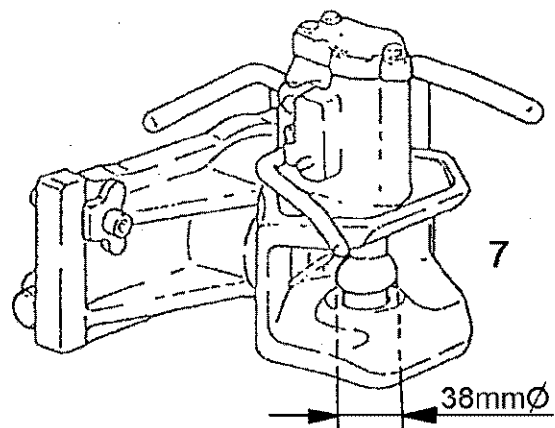
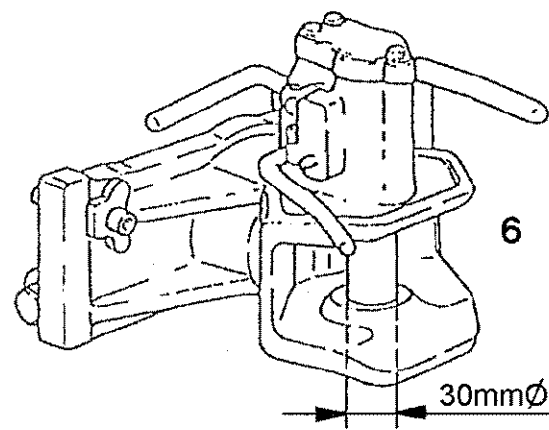
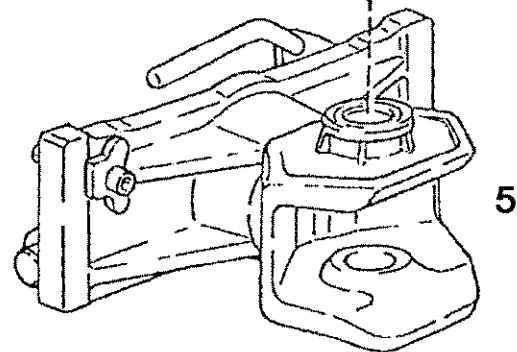
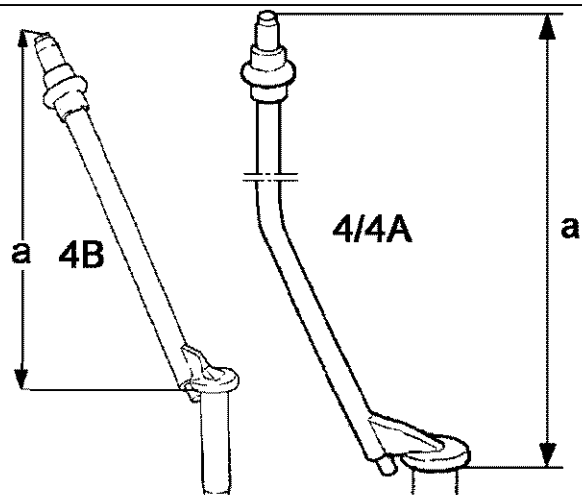
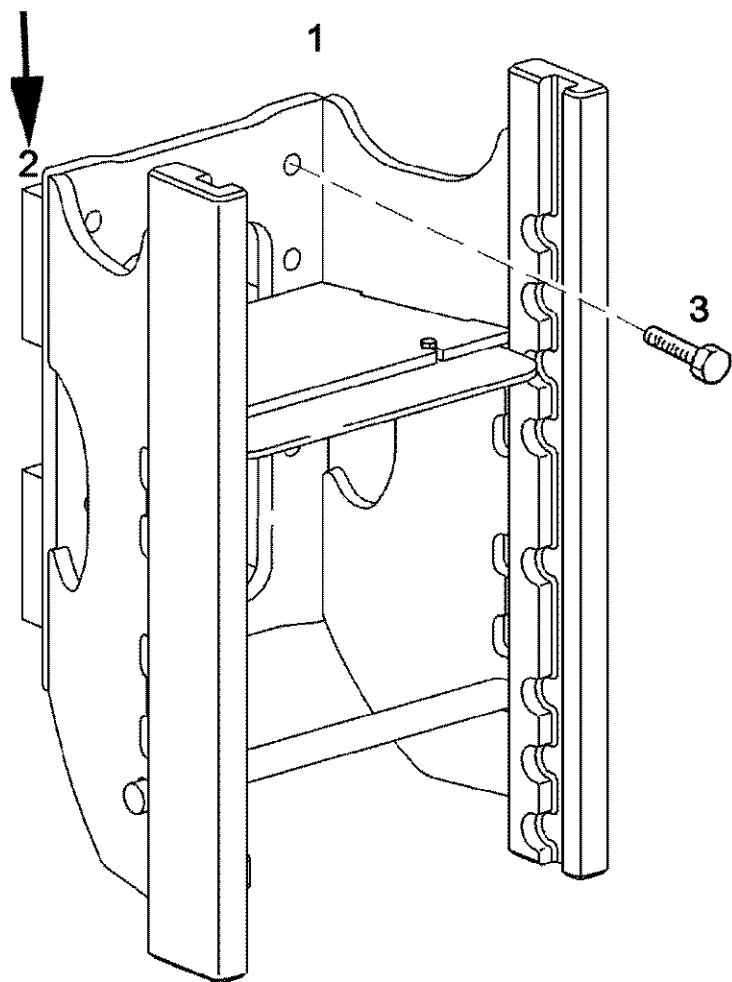
Ref	Onderdeelnummer	Kwt	Beschrijving
1	133700930082	1	HITCH ASSY, TRAILER, , Besteht aus/Consists of/Compose de/Bestående af/È composto da 1A - 1C
1A	133700930751	2	BASIS,
1B	133700930752	1	AFTAKAS,
1C	NSS	1	NIET ALLEEN VERKRIJGBAAR,
2	190003800489	10	SCHROEF, , M14x65-10.9
3	133700930080	1	PIN, HITCH, , a = 530mm
3A	155700930011	1	HEFBOOM EN PEN, , a = 717mm - Ersetzt/Replaces/Remplace/Udskiftet/Sostituisce 137700930042
3B	133700930081	1	PIN, HITCH, , a = 350mm
4	133700930083	1	HITCH ASSY, TRAILER, , ----> ..... - Siehe nächste Seite(n)/See next page(s)/Voir page(s) suivante(s)/Se næste side(r)/Vedere pagin(a/e) sequent(e/i)
4A	155700930013	1	TREKHAAK, , ..... ----> - Siehe nächste Seite(n)/See next page(s)/Voir page(s) suivante(s)/Se næste side(r)/Vedere pagin(a/e) sequent(e/i)
5	133700930084	1	HITCH ASSY, TRAILER, , Siehe Seite(n) vorne/See page(s) before/Voir page(s) avant(es)/Se side(r) forrest/Vedere pagin(a/e) precedent(e/i)



Ref	Onderdeelnummer	Kwt	Beschrijving
	133700930083	1	HITCH ASSY, TRAILER, , Einschließlich/Includes/Avec/Inklusive/Compreso 1 - 6
1	133700930795	1	SNIJRING,
2	133700930793	1	SPRING, COMPRESSION,
3	133700930800	1	GRIP,
4	190003963106	1	SMEERNIPPEL, M6 x 1, , AM6
5	133700930803	1	HENDEL, , ----> . . . .
6	133700930739	1	VERGRENDELING, , . . . .---->

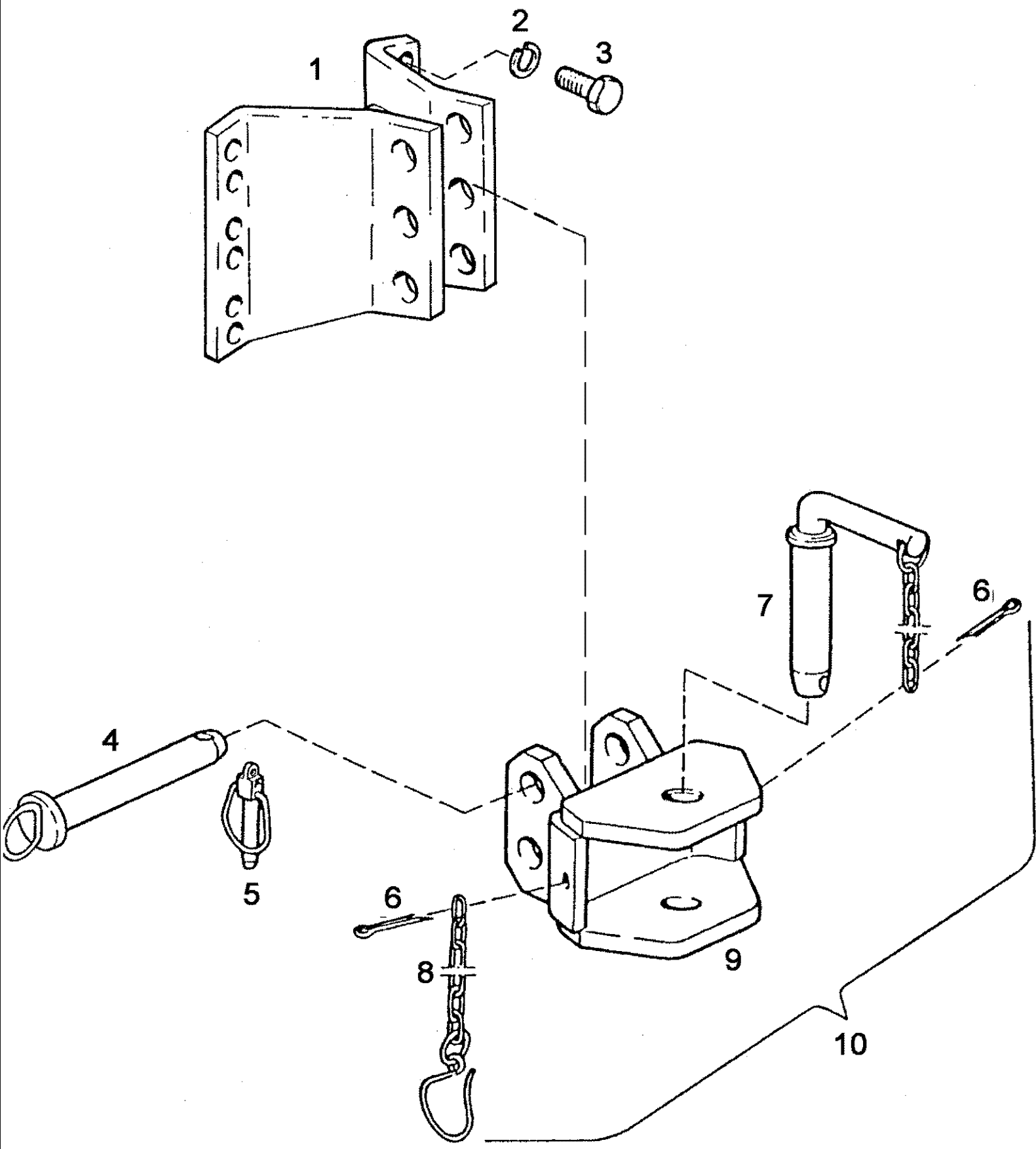


Ref	Onderdeelnummer	Kwt	Beschrijving
	155700930013	1	TREKHAAK,
1	NSS	1	NIET ALLEEN VERKRIJGBAAR, , Besteht aus/Consists of/Compose de/Bestående af/É composto da 2 - 4
2	133700930795	1	SNIJRING,
3	133700930793	1	SPRING, COMPRESSION,
4	133700930800	1	GRIP,
5	190003904536	21	PIN , HEADLESS, , 3x6
6	NSS	1	NIET ALLEEN VERKRIJGBAAR, , Einschließlich/Includes/Avec/Inklusive/Compreso 5
7	190003963106	1	SMEERNIPPEL, M6 x 1, , AM6
8	133700930739	1	VERGRENDELING,



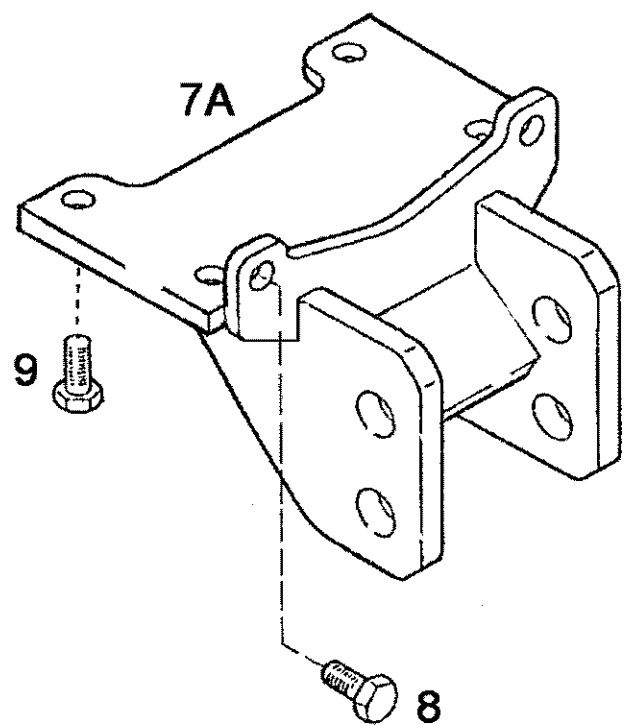
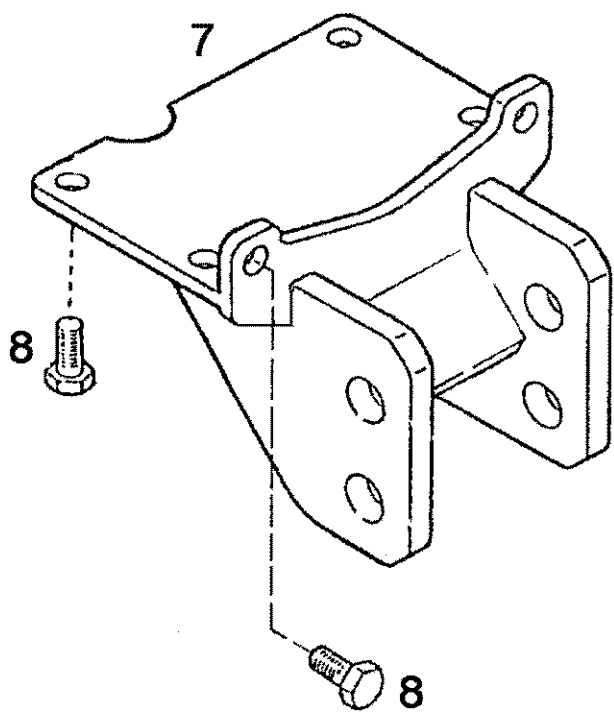
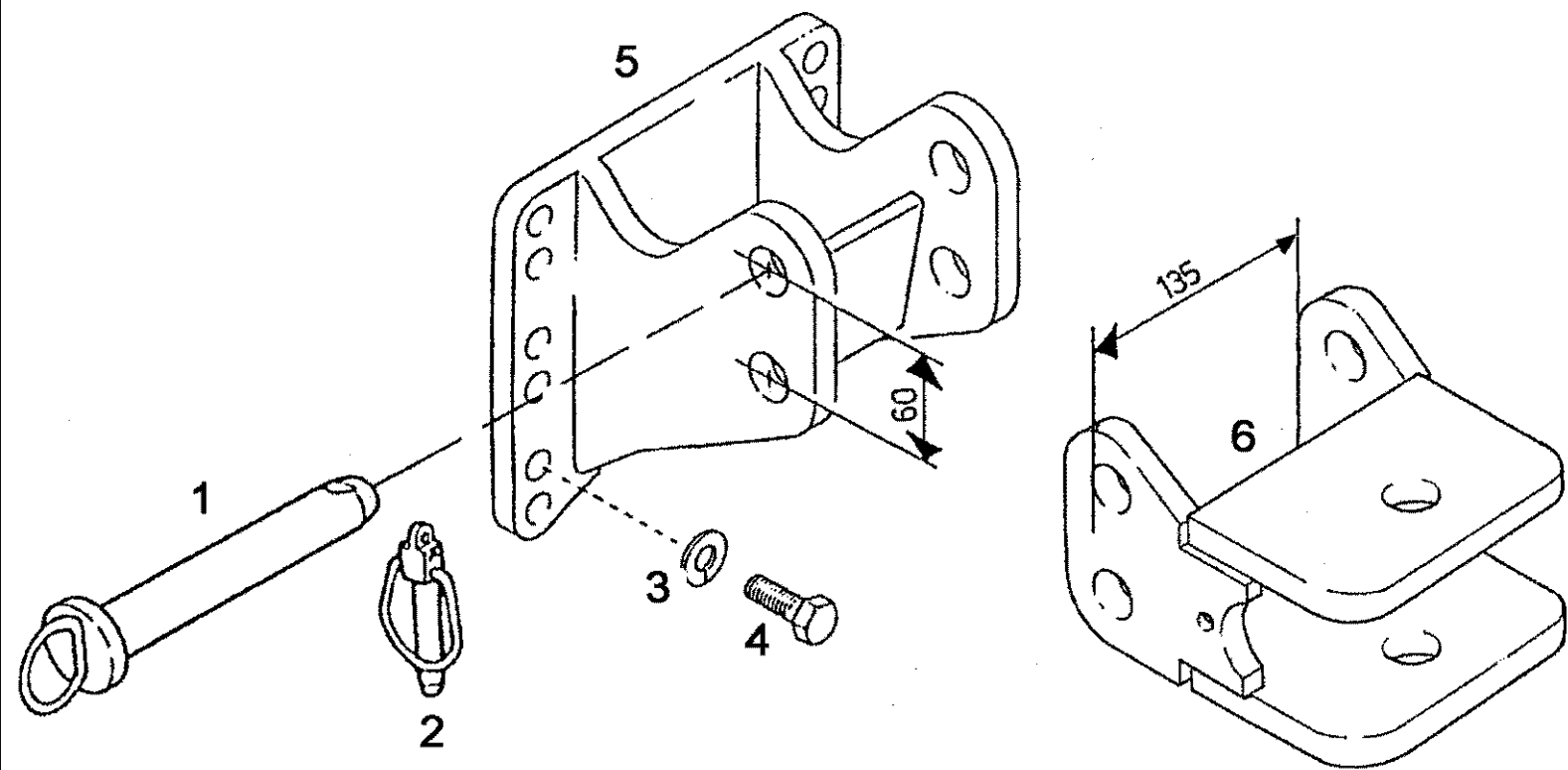


Ref	Onderdeelnummer	Kwt	Beschrijving
1	1-32-293-013	1	TREKSTANGSTEUN, , Ersetzt/Replaces/Remplace/Udskiftet/Sostituisce 133700930082, 133700930122
2	133700930751	2	BASIS,
3	190003800305	8/10	SCHROEF, , M14x60-10.9
4	133700930080	1	PIN, HITCH, , a = 530mm
4A	155700930011	1	HEFBOOM EN PEN, , a = 717mm - Ersetzt/Replaces/Remplace/Udskiftet/Sostituisce 137700930042
4B	133700930081	1	PIN, HITCH, , a = 350mm
5	1-32-393-056	1	TREKHAAK, , Ersetzt/Replaces/Remplace/Udskiftet/Sostituisce 155700930013, 155700930031 - Siehe nächste Seite(n)/See next page(s)/Voir page(s) suivante(s)/Se næste side(r)/Vedere pagin(a/e) sequent(e/i)
6	1-32-393-050	1	TREKHAAK, , Ersetzt/Replaces/Remplace/Udskiftet/Sostituisce 133700930084, 155700930032 - Siehe nächste Seite(n)/See next page(s)/Voir page(s) suivante(s)/Se næste side(r)/Vedere pagin(a/e) sequent(e/i)
7	1-32-393-051	1	TREKHAAK, , Ersetzt/Replaces/Remplace/Udskiftet/Sostituisce 155700930033 - Siehe nächste Seite(n)/See next page(s)/Voir page(s) suivante(s)/Se næste side(r)/Vedere pagin(a/e) sequent(e/i)



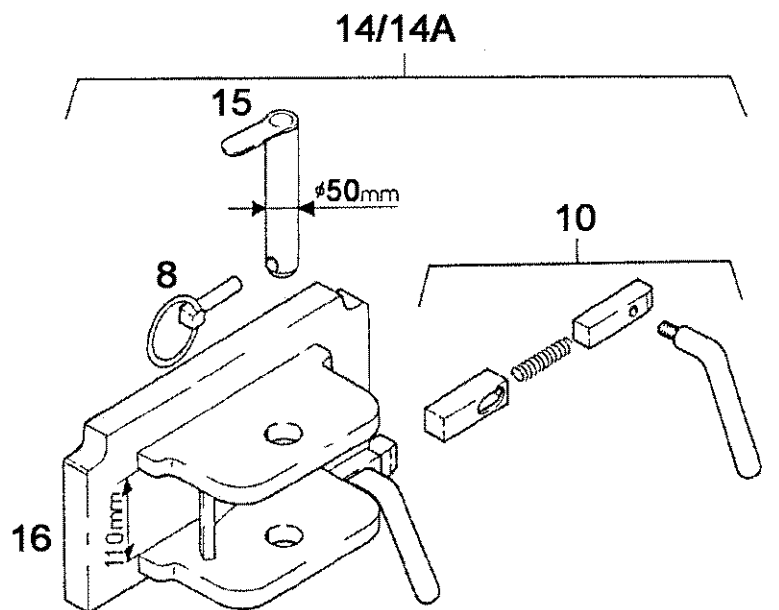
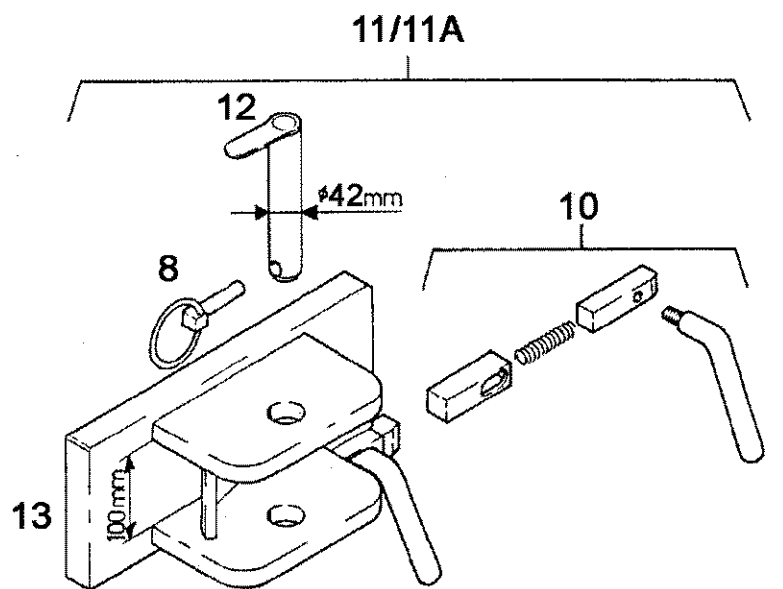
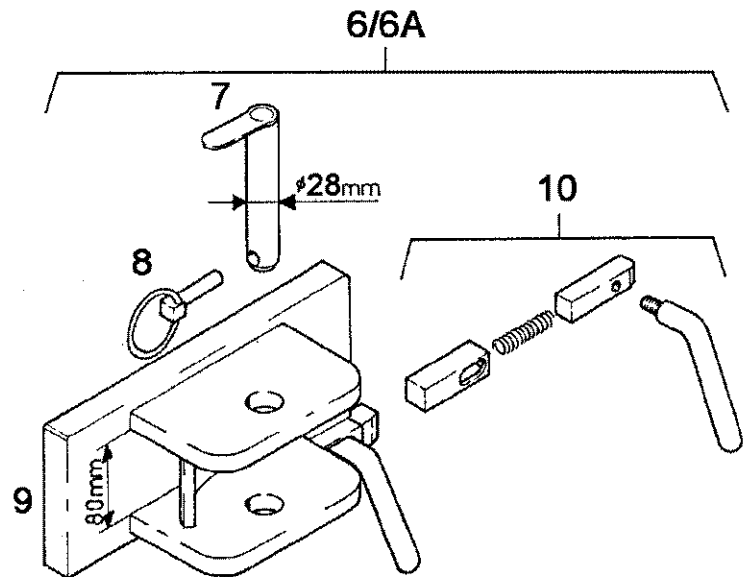
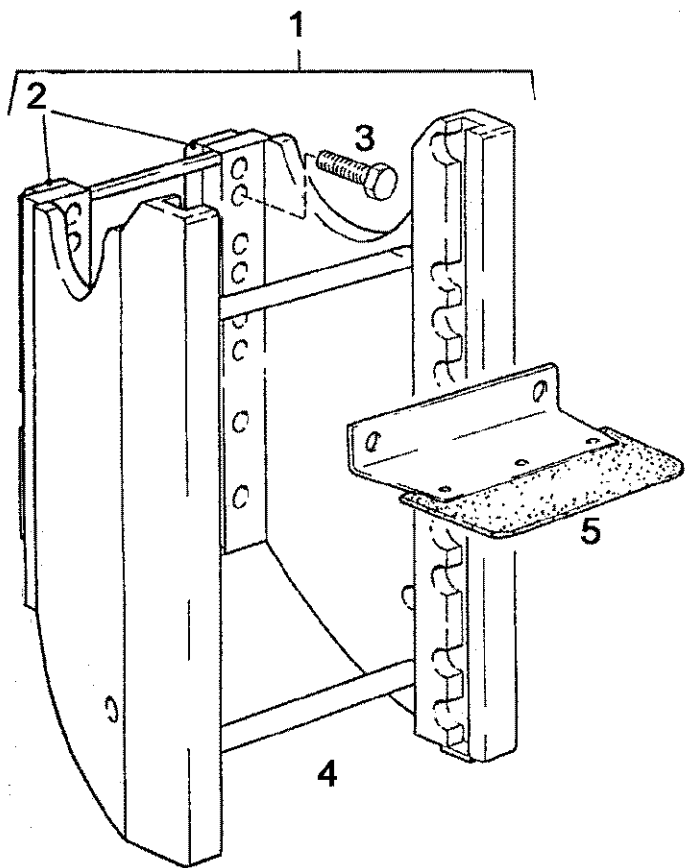
## 09C-11(01) TRAILER HITCH FOR ITALY

Ref	Onderdeelnummer	Kwt	Beschrijving
1	135700930054	1	SUPPORT,
2	190003931162	6	BORGRING, , A14
3	11115631	6	BOUT, Hex, M14 x 35, 10.9, Full Thd, , M14x35-10.9
4	135700930061	2	PEN, , Einschließlich/Includes/Avec/Inklusive/Compreso 5
5	180740235	2	PIN, LARGE,
6	190003920502	2	SPLITPEN, , 6,3X22-ST-A4C
7	1292930083	1	PIN, LARGE,
8	1292930003	1	KETTING,
9	1292930081	1	BRACKET, HITCH,
10	1292930082	1	KOPPELING, , Besteht aus/Consists of/Compose de/Bestående af/È composto da 6 - 9



## 09C-12(01) HITCH FOR ITALY

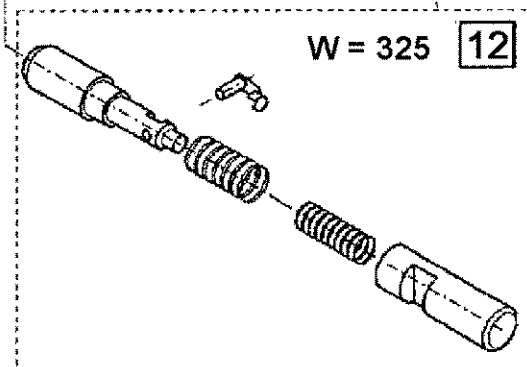
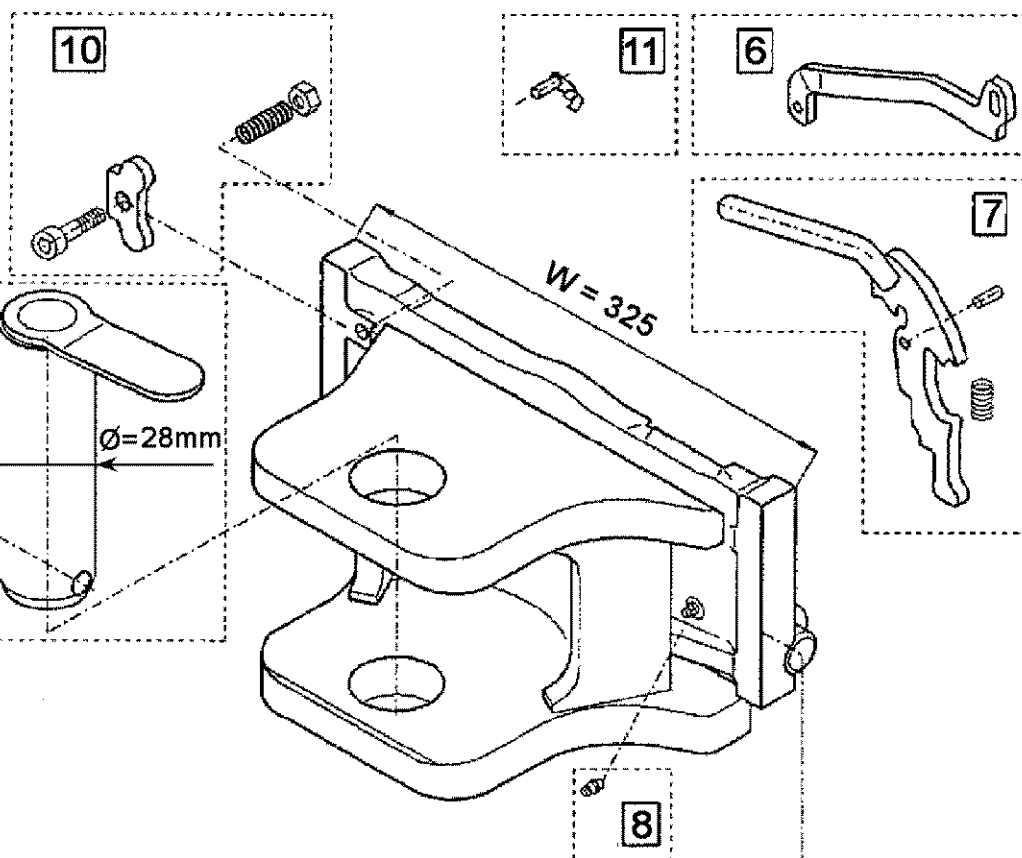
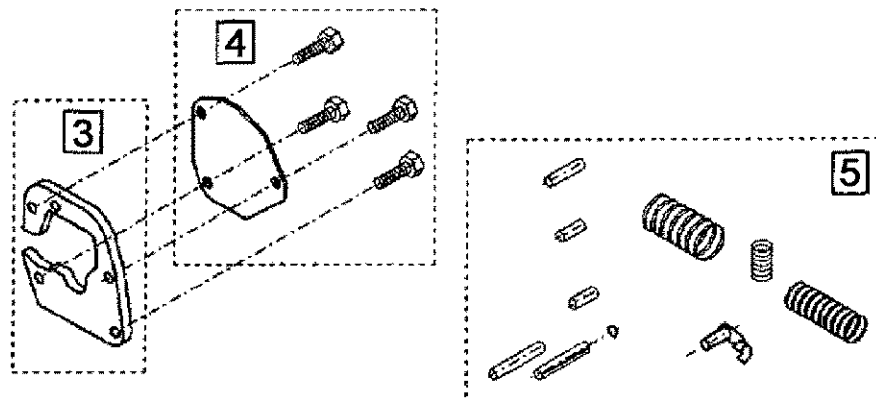
Ref	Onderdeelnummer	Kwt	Beschrijving
1	135700930061	2	PEN,
2	180740235	2	PIN, LARGE,
3	190003931162	6	BORGRING, , A14
4	11115631	6	BOUT, Hex, M14 x 35, 10.9, Full Thd, , M14x35-10.9
5	1-32-293-001	1	TREKSTANGSTEUN, , Oben/Over/En 'haut/Ovenfor/Superiore - Ersetzt/Replaces/Remplace/Udskiftet/Sostituisce 135700930054
6	1-32-293-003	1	HITCH ASSY, , a=80mm
7	1-32-293-002	1	TREKSTANGSTEUN, , Unten/Below/En bas/Nedenfor/Inferiore, ---->. . . .
7A	1-32-293-009	1	TREKSTANGSTEUN, , Unten/Below/En bas/Nedenfor/Inferiore, . . . .----> - Ersetzt/Replaces/Remplace/Udskiftet/Sostituisce 1-32-293-002
8	190003802714	2/6	SCHROEF, Hex, M14 x 25, 8.8, , M14x25-8.8
9	190003802728	4	SCHROEF, , M14x30 10.9



## 09C-13(01) HITCH FOR ITALY

Ref	Onderdeelnummer	Kwt	Beschrijving
1	1-32-293-015	1	TREKSTANGSTEUN, , Besteht aus/Consists of/Compose de/Bestående af/È composto da 2 - 4 - Ersetzt/Replaces/Remplace/Udskiftet/Sostituisce 133700930121
2	133700930751	2	BASIS,
3	190003800489	10	SCHROEF, , M14x65-10.9
4	NSS	1	NIET ALLEEN VERKRIJGBAAR,
5	133700930752	1	AFTAKAS,
6	133700930088	1	FIELD ATTACHMENT, , ----> ..... - KAT.C a=80mm, Besteht aus/Consists of/Compose de/Bestående af/È composto da 7 - 10
6A	1-32-293-004	1	HITCH ASSY, TRAILER, , ..... ----> - Ersetzt/Replaces/Remplace/Udskiftet/Sostituisce 133700930088 - Siehe nächste Seite(n)/See next page(s)/Voir page(s) suivante(s)/Se næste side(r)/Vedere pagin(a/e) sequent(e/i)
7	133700930745	1	PIN, LARGE, , Ø=28mm,b=130mm
8	133700930749	1	PIN, LINCH,
9	133700930744	1	TREKHAAK,
10	133700930739	1	VERGRENDELING,
11	135700930072	1	TREKHAAK, , ----> ..... - KAT.D2, Besteht aus/Consists of/Compose de/Bestående af/È composto da 8, 10, 12, 13
11A	1-32-293-005	1	TREKSTANGSTEUN, , ..... ----> - Ersetzt/Replaces/Remplace/Udskiftet/Sostituisce 135700930072 - Siehe nächste Seite(n)/See next page(s)/Voir page(s) suivante(s)/Se næste side(r)/Vedere pagin(a/e) sequent(e/i)
12	133700930743	1	PIN, LARGE, , Ø=42mm
13	133700930742	1	HITCH ASSY, TRAILER,
14	135700930073	1	HITCH ASSY, TRAILER, , ----> ..... - KAT.D3, Besteht aus/Consists of/Compose de/Bestående af/È composto da 8, 10, 15, 16
14A	1-32-293-006	1	PROTECTOR, , ..... ----> - Ersetzt/Replaces/Remplace/Udskiftet/Sostituisce 135700930073 - Siehe nächste Seite(n)/See next page(s)/Voir page(s) suivante(s)/Se næste side(r)/Vedere pagin(a/e) sequent(e/i)
15	133700930747	1	PIN, LARGE, , Ø=50mm
16	133700930746	1	HITCH ASSY, TRAILER,

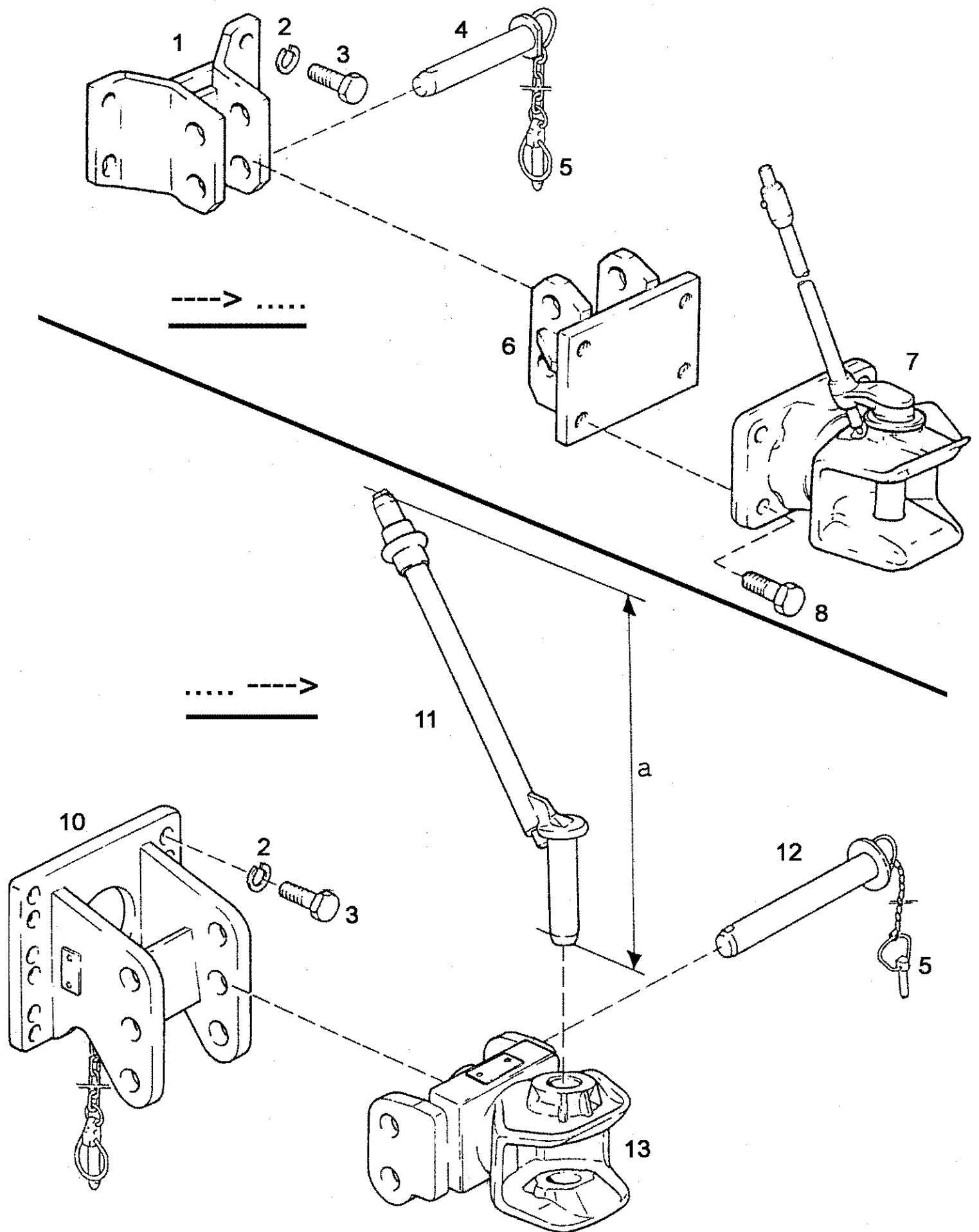
Einbausatz  
Schiebepatte  
komplett  
3, 4, 5, 6, 7, 8, 9





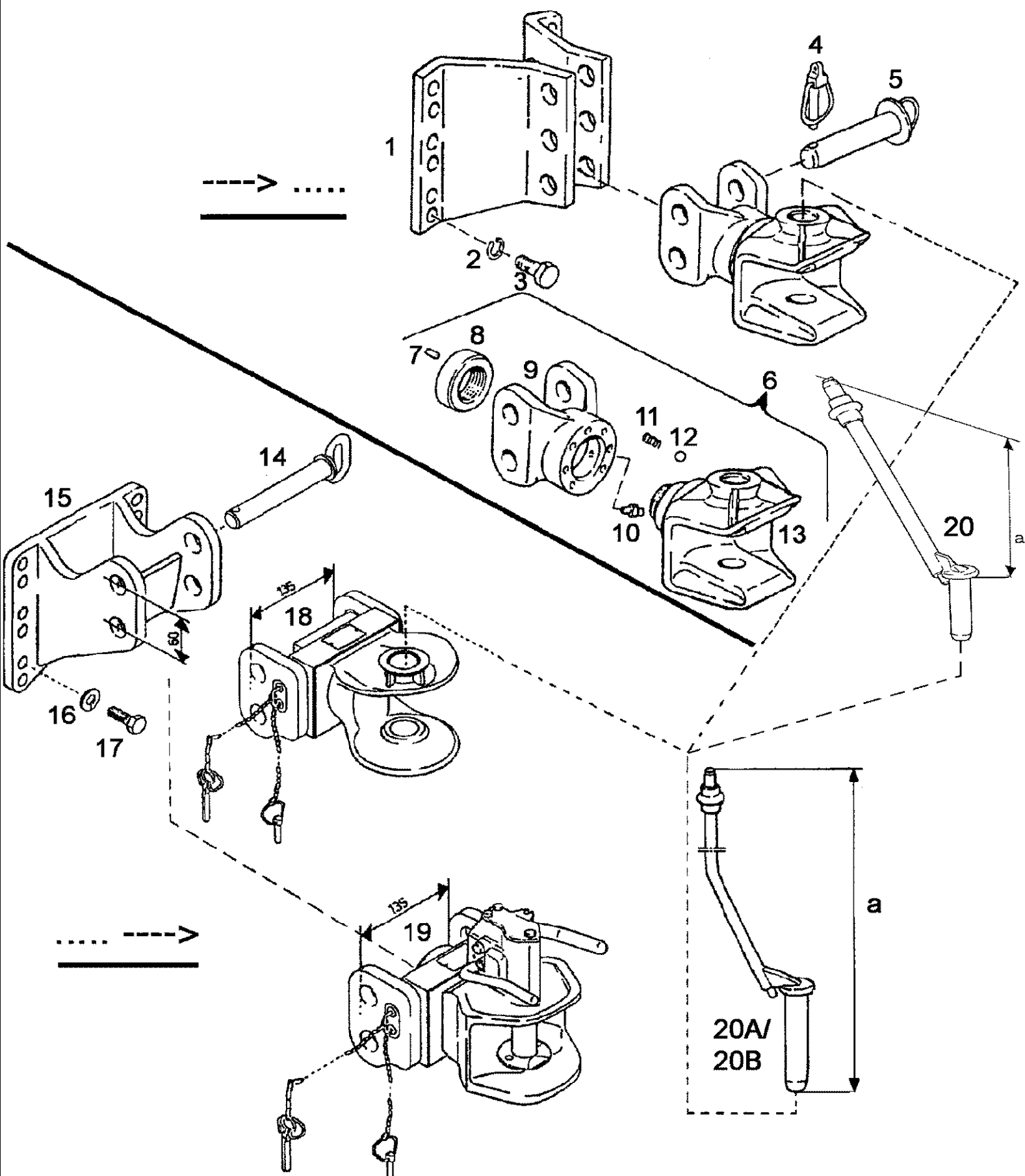
## 09C-14(01) TRAILER HITCH FOR ITALY

Ref	Onderdeelnummer	Kwt	Beschrijving
	1-32-293-004	1	HITCH ASSY, TRAILER, , KAT.C a=80mm, Besteht aus/Consists of/Compose de/Bestående af/È composto da 3 - 12 - Ersetzt/Replaces/Remplace/Udskiftet/Sostituisce 133700930088
2	1-32-793-029	1	STEL ONDERDELEN, , Besteht aus/Consists of/Compose de/Bestående af/È composto da 3 - 7
3	1-32-793-023	1	GELEIDER,
4	1-32-793-025	1	DEKSEL,
5	1-32-793-026	1	STEL ONDERDELEN,
6	1-32-793-022	1	HEFBOOM,
7	155700930738	1	HANDGREEP,
8	190003963106	1	SMEERNIPPEL, M6 x 1, , AM6
9	1-32-793-030	1	PIN, LARGE,
10	1-32-793-028	1	BORGPLAAT,
11	155700930740	1	PEN,
12	155700930739	1	KLINK,



## 09C-17(01) TRAILER HITCH FOR BRD

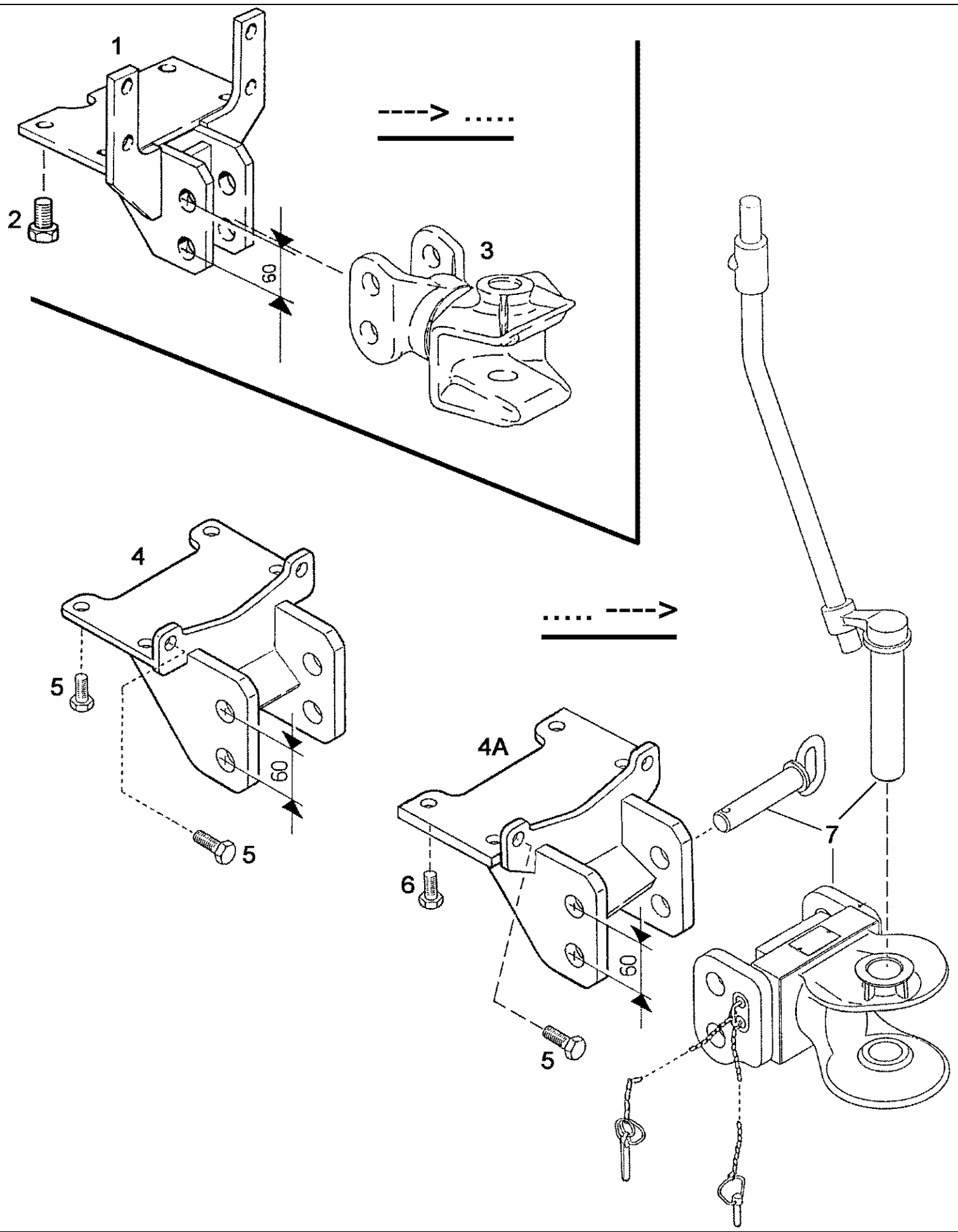
Ref	Onderdeelnummer	Kwt	Beschrijving
1	1288930217	1	STEUN, , ----> .....
3	11115631	4	BOUT, Hex, M14 x 35, 10.9, Full Thd, , M14x35-10.9
2	190003931162	4	BORGRING, , A14
4	135700930068	2	PIN, LARGE, , ----> ..... - Einschließlich/Includes/Avec/Inklusive/Compreso 5
5	180740192	2	PIN, LARGE,
6	1288 930242	1	SUPPORT, , ----> .....
7	133700930030	1	NO DESCRIPTION, , ----> .....
8	280854	4	BOUT, Hex, M14 x 35, 8.8, Full Thd, , ----> ..... - M14x35-8.8
10	133700930106	1	SUPPORT, , ..... ---->
11	133700930081	1	PIN, HITCH, , ..... ----> - a = 350mm
12	155700930020	1	PIN, LARGE, , ..... ----> - Einschließlich/Includes/Avec/Inklusive/Compreso 5
13	133700930108	1	HITCH ASSY, TRAILER, , ..... ---->



## 09C-18(01) TRAILER HITCH WIDE

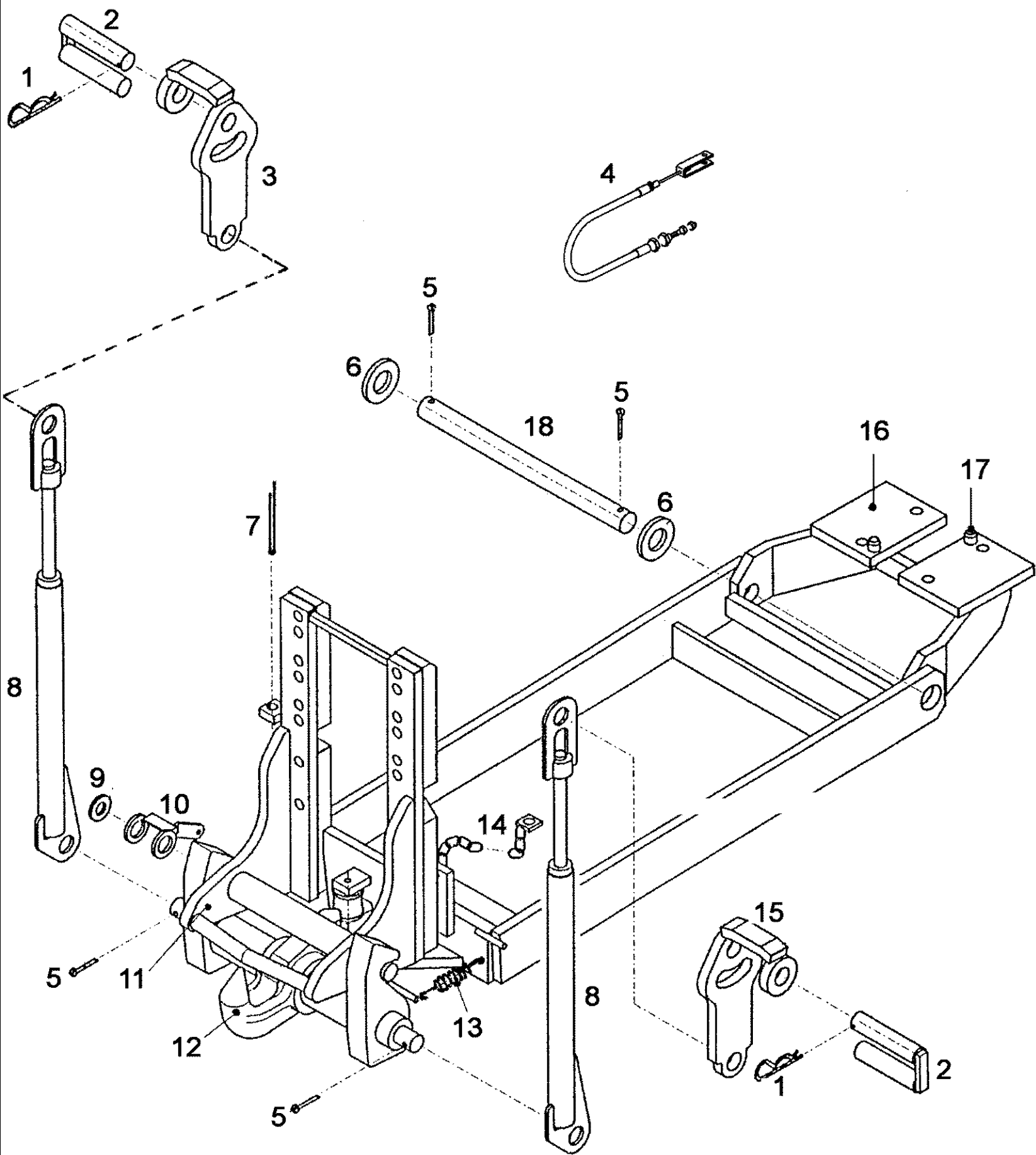
Ref	Onderdeelnummer	Kwt	Beschrijving
1	135700930051	1	BRACKET, HITCH,
2	190003931162	6	BORGRING, , A14-FST-A3C
3	11115631	6	BOUT, Hex, M14 x 35, 10.9, Full Thd, , M14x35-10.9-A3C
4	180740235	2	PIN, LARGE,
5	135700930061	2	PEN,
6	1295930003	1	KOPPELING, , Besteht aus/Consists of/Compose de/Bestående af/È composto da 9 - 15
7	190003904248	1	PEN, , 6x10-ST
8	1288930122	1	RING,
9	1288930209	1	CRADLE,
10	190003963112	1	SMEERNIPPEL, , AM8x1-A3F
11	11800240023	7	VEER,
12	190003330183	7	KOGEL, , 10mm-V
13	1295930002	1	BRACKET, HITCH,
14	155700930018	2	PIN, LARGE,
15	133700930110	1	TREKSTANGSTEUN, , Breit/Broad/Large/Bred/Largo
16	190003931162	6	BORGRING, , A14
17	11115631	6	BOUT, Hex, M14 x 35, 10.9, Full Thd, , M14x35-10.9
18	133700930111	1	HITCH ASSY, TRAILER, , Breit/Broad/Large/Bred/Largo
19	1-32-293-007	1	HITCH ASSY, , Breit/Broad/Large/Bred/Largo - Ersetzt/Replaces/Remplace/Udskiftet/Sostituisce 133700930112
20	133700930081	1	PIN, HITCH, , a=350mm
20A	133700930080	1	PIN, HITCH, , a=530mm
20B	155700930011	1	HEFBOOM EN PEN, , a=717mm - Ersetzt/Replaces/Remplace/Udskiftet/Sostituisce 137700930042

09C-19(01) LOWER BEARING BRACKET, REAR



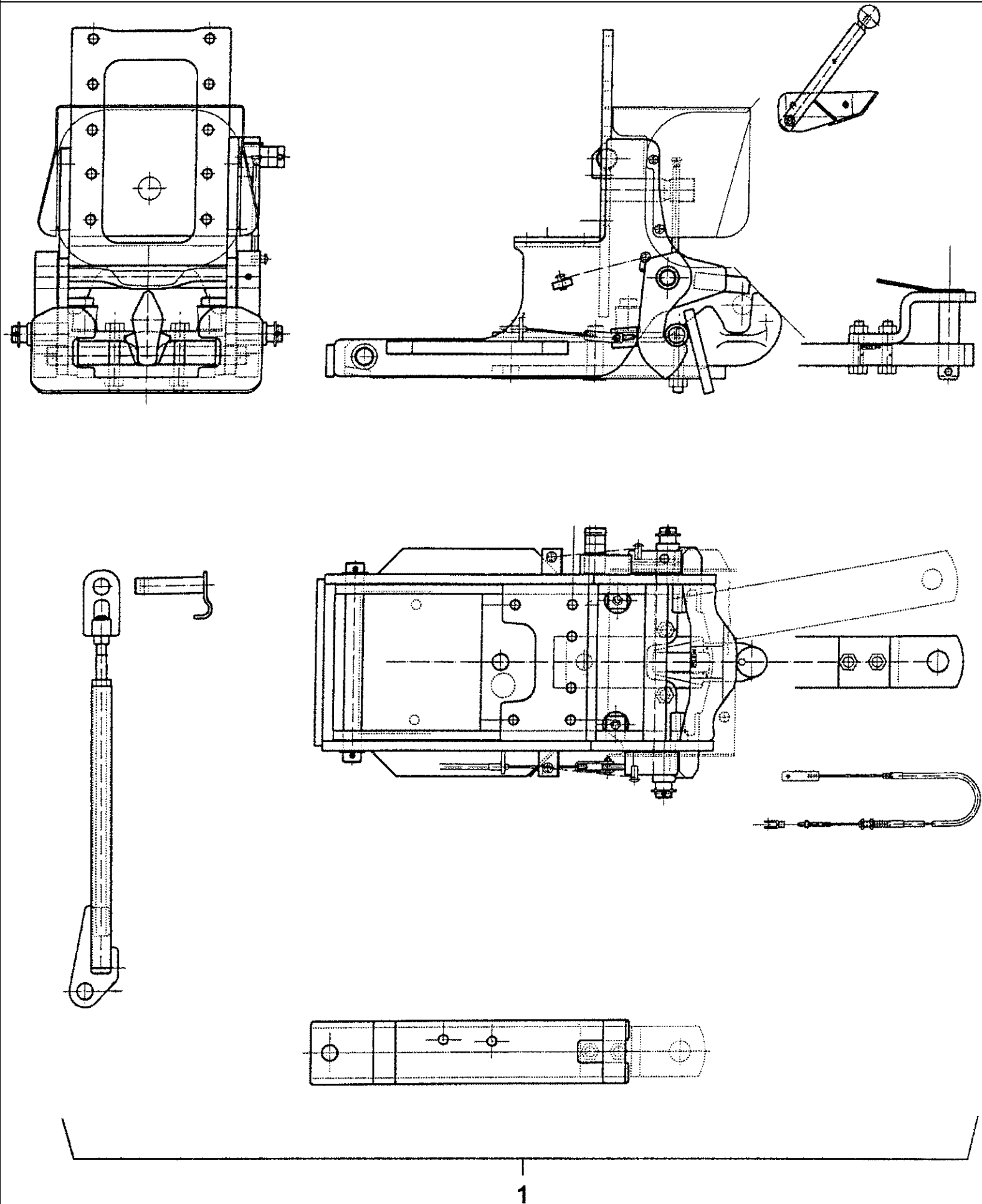
## 09C-19(01) LOWER BEARING BRACKET, REAR

Ref	Onderdeelnummer	Kwt	Beschrijving
1	133700930015	1	SUPPORT,
2	190003802724	8	SCHROEF, , M14x30-8.8
3		1	, ANHÄNGEKUPPLUNG/TRAILER HITCH/CHAPE D'ATTELAGE/ANHÆNGERTRÆK/GANCIO PER RIMORCHIO - Siehe Seite(n) vorne/See page(s) before/Voir page(s) avant(es)/Se side(r) forrest/Vedere pagin(a/e) precedent(e/i)
4	133700930115	1	SUPPORT, , ----> .....
4A	1-32-293-008	1	TREKSTANGSTEUN, , ..... ----> - Ersetzt/Replaces/Remplace/Udskiftet/Sostituisce 133700930115
5	190003802714	2/6	SCHROEF, Hex, M14 x 25, 8.8, , M14x25-8.8
6	190003802728	4	SCHROEF, , M14x30 10.9
7		1	, ANHÄNGEKUPPLUNG/TRAILER HITCH/CHAPE D'ATTELAGE/ANHÆNGERTRÆK/GANCIO PER RIMORCHIO - Siehe Seite(n) vorne/See page(s) before/Voir page(s) avant(es)/Se side(r) forrest/Vedere pagin(a/e) precedent(e/i)



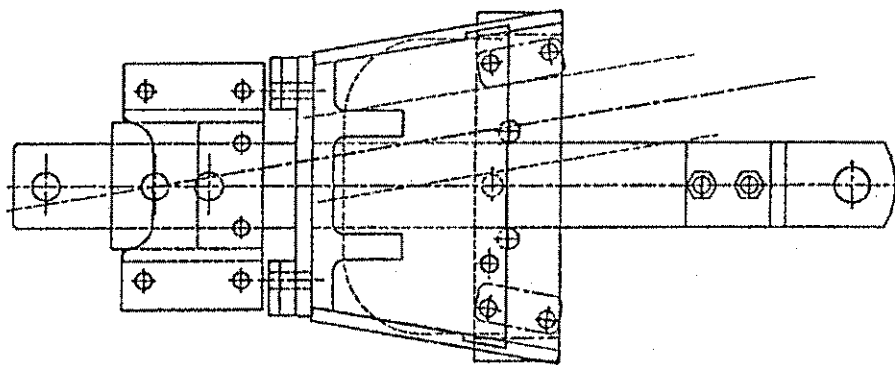
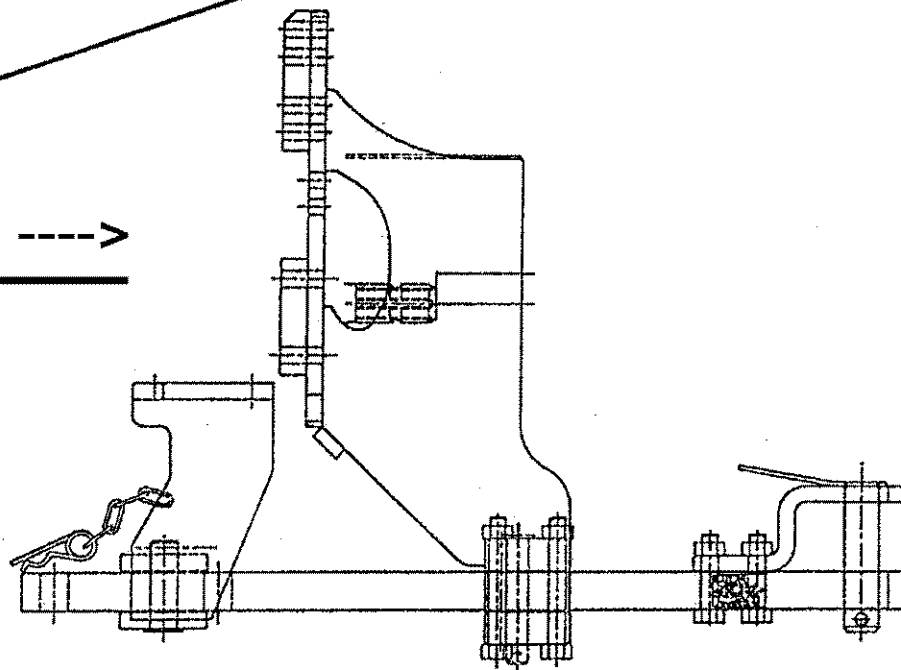
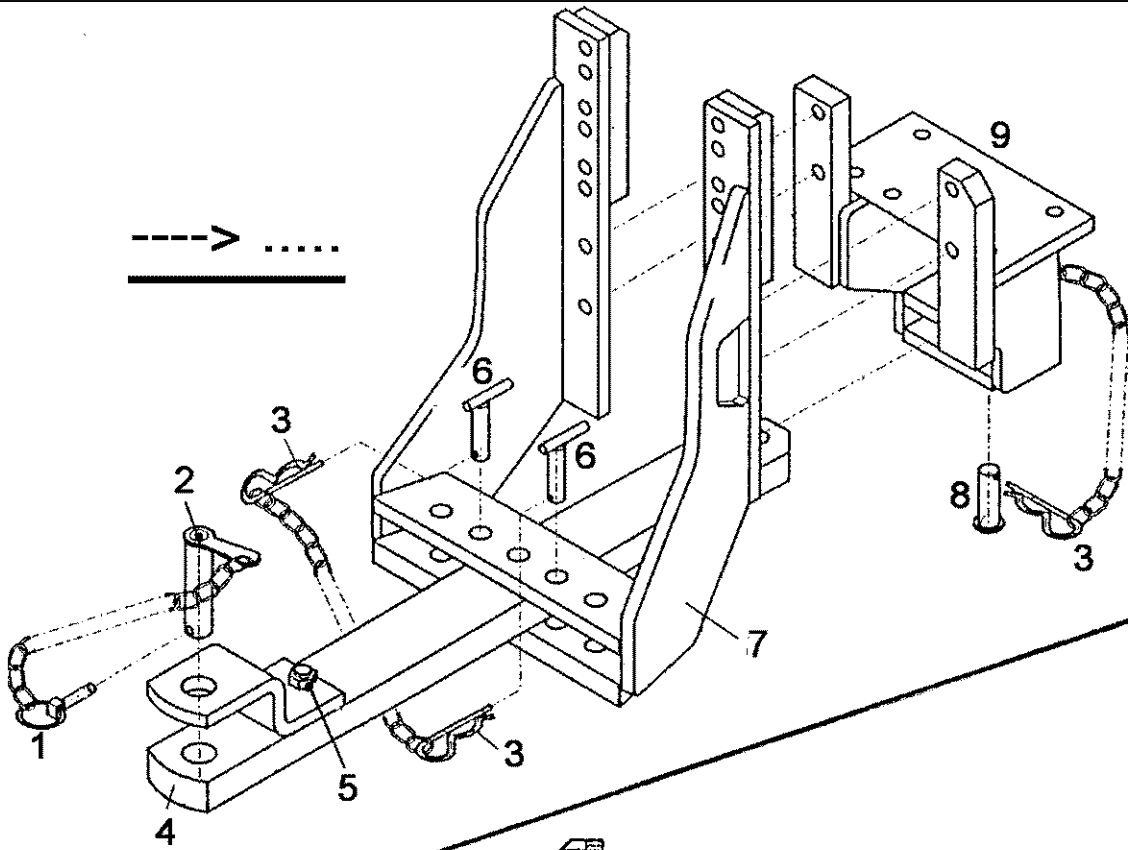


Ref	Onderdeelnummer	Kwt	Beschrijving
	133700930095	1	KOPPELING, , ----> ..... - Besteht aus/Consists of/Compose de/Bestående af/È composto da 1 - 18
1	190003990024	2	VEER, , 4-A3C
2	133700930725	2	PIN, LARGE,
3	133700930730	1	GUIDE, LEVERS, , Links/Left/Gauche/Venstre/Sinistro
4	133700930736	1	ROPE, METAL,
	190003800738	10	SCHROEF, , M14X60-8.8
	280854	4	BOUT, Hex, M14 x 35, 8.8, Full Thd, , M14x35-8.8
5	190003920527	2	SPLITPEN, , 6,3x40
6	190003930360	2	SCHIJF, , A28-140HV-A3C
7	133700930736	1	ROPE, METAL,
8	133700930723	2	STANG,
9	133700930735	1	SCHIJF,
10	133700930734	1	SCHAKELAAR,
11	133700930727	1	TREKBALKRAAM,
12	133700930728	1	KOPPELING,
13	133700930716	2	SPRING, TENSION,
14	133700930721	1	PLAAT, GROOT,
15	133700930724	1	GUIDE, LEVERS, , Rechts/Right/Droite/Højre/Destra
16	133700930733	1	SUPPORT,
17	190003901804	2	PEN, , 16M6X30-ST
18	133700930732	1	PIN, PIVOT,



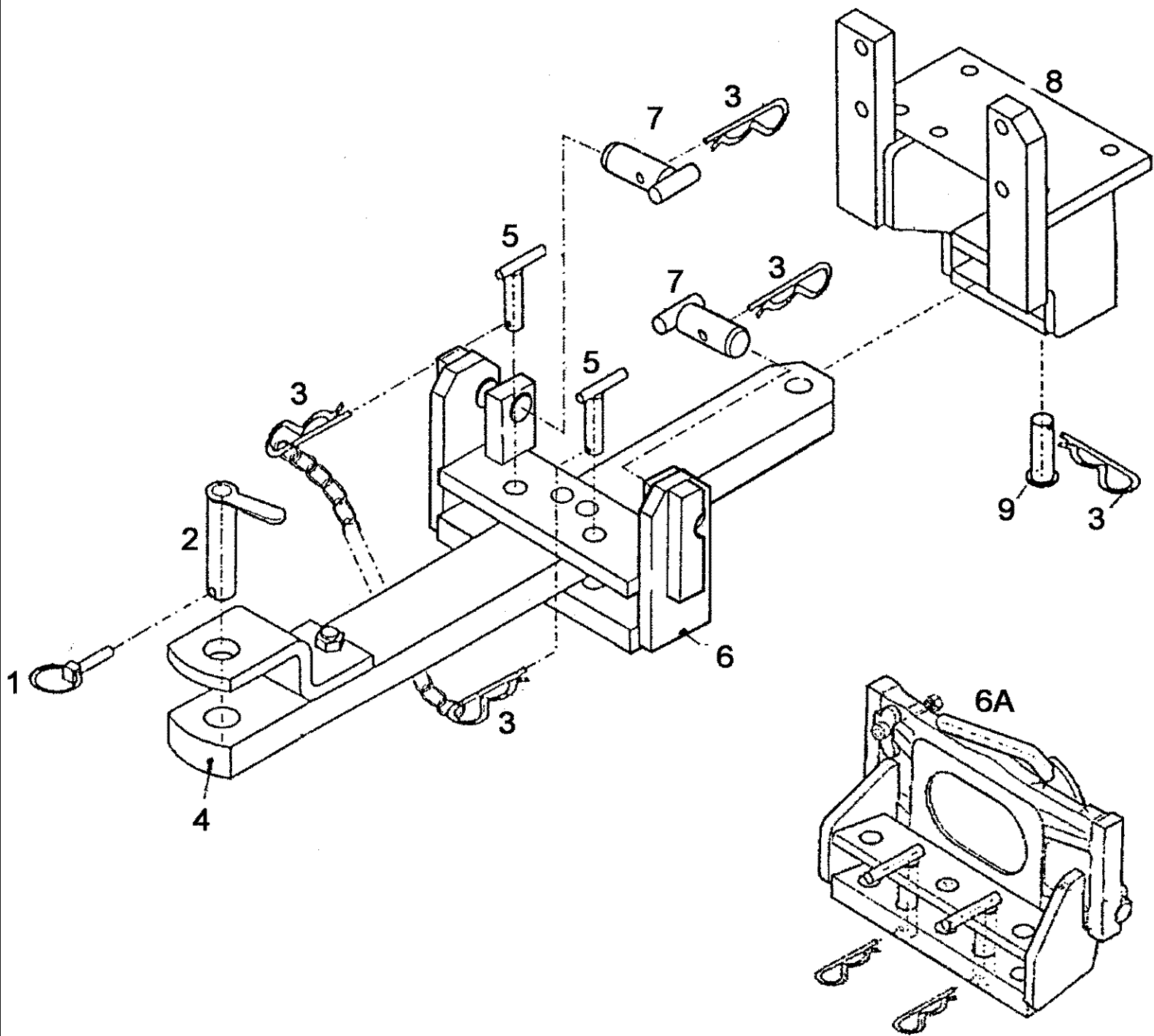
Ref	Onderdeelnummer	Kwt	Beschrijving
1	1-32-293-010	1	HITCH ASSY, TRAILER, , ..... ---->
	11115631	14	BOUT, Hex, M14 x 35, 10.9, Full Thd, , M14x35-10.9
	190003802728	2	SCHROEF, , M14x30 10.9

09C-22(01) DRAWBAR STORAGE



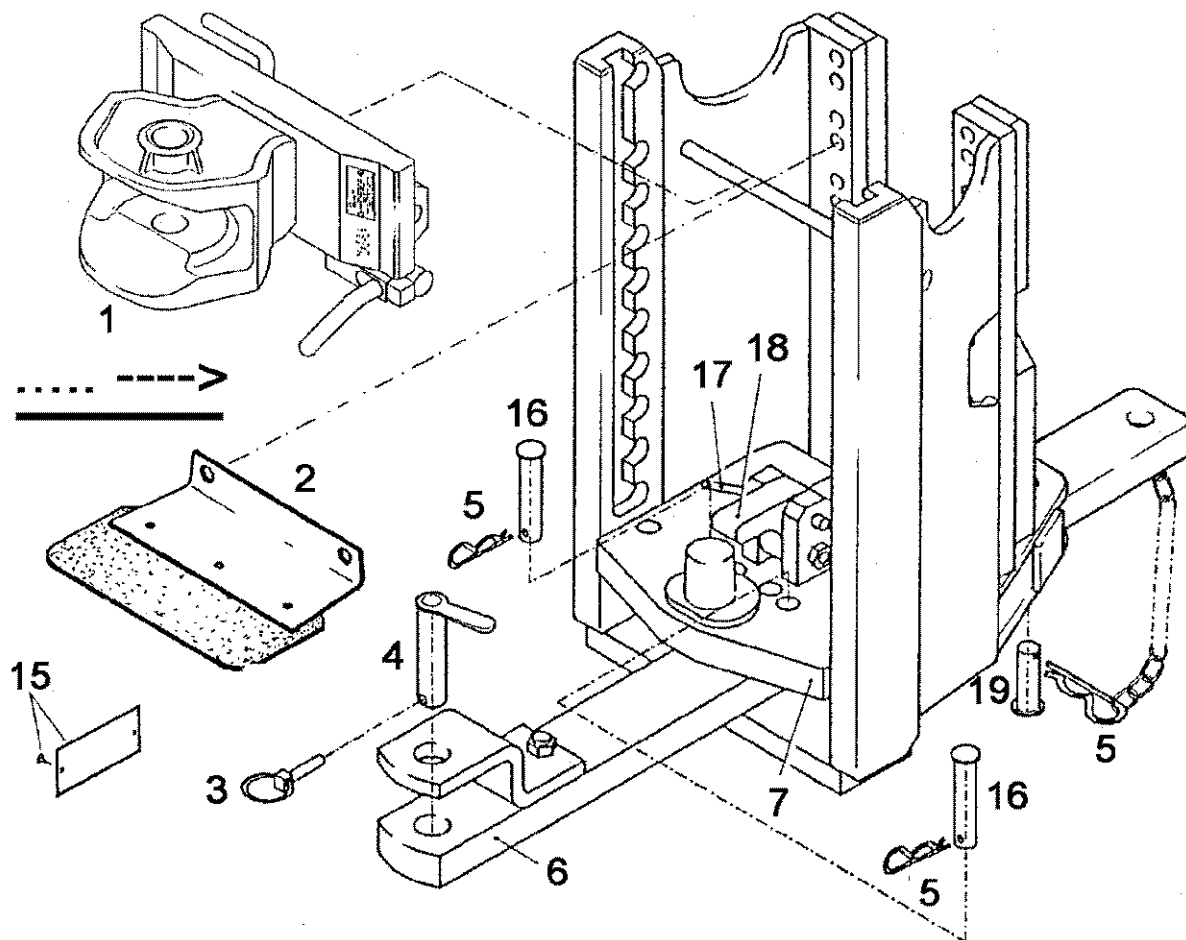
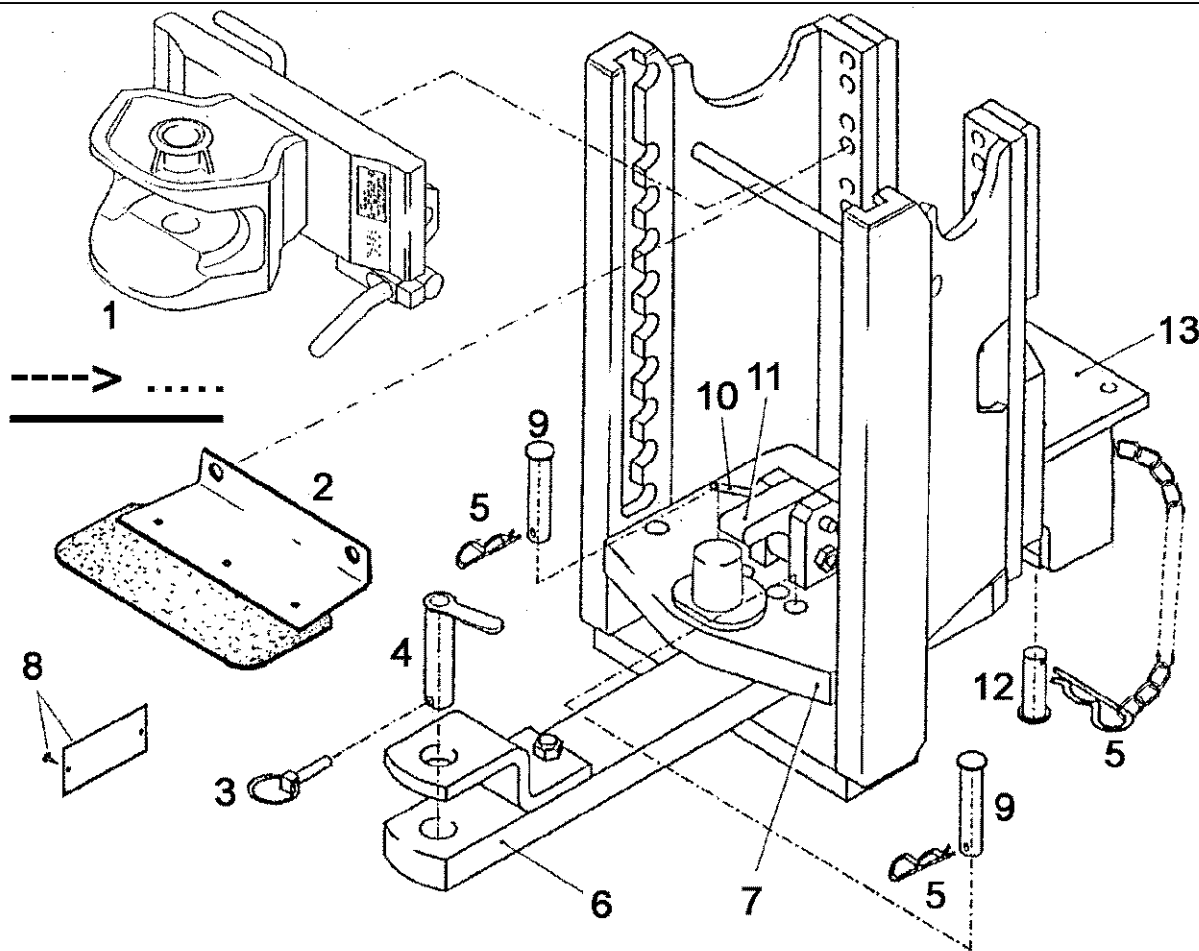
## 09C-22(01) DRAWBAR STORAGE

Ref	Onderdeelnummer	Kwt	Beschrijving
	155700930002	1	ZWAAIARM, , Besteht aus/Consists of/Compose de/Bestående af/È composto da 1 - 9 / ----> .....
1	155700930711	1	PIN, LINCH,
2	155700930710	1	PIN, LARGE,
3	190003990024	2/1	VEER, , 4-A3C
4	155700930709	1	ZWAAIARM,
5	190003832736	2	SCHROEF, , M16X70-MU
6	155700930702	2	PIN, LARGE,
7	155700930712	1	GELEIDER,
8	155700930707	1	PIN, PIVOT,
9	155700930706	1	KONZOOL,
20	1-32-393-052	1	ZWAAIARM, , ..... ---->
	11115631	4	BOUT, Hex, M14 x 35, 10.9, Full Thd, , M14x35-10.9
	190003800305	4	SCHROEF, , M14x60-10.9
	190003800753	6	SCHROEF, , M14X 75-10.9-A3C



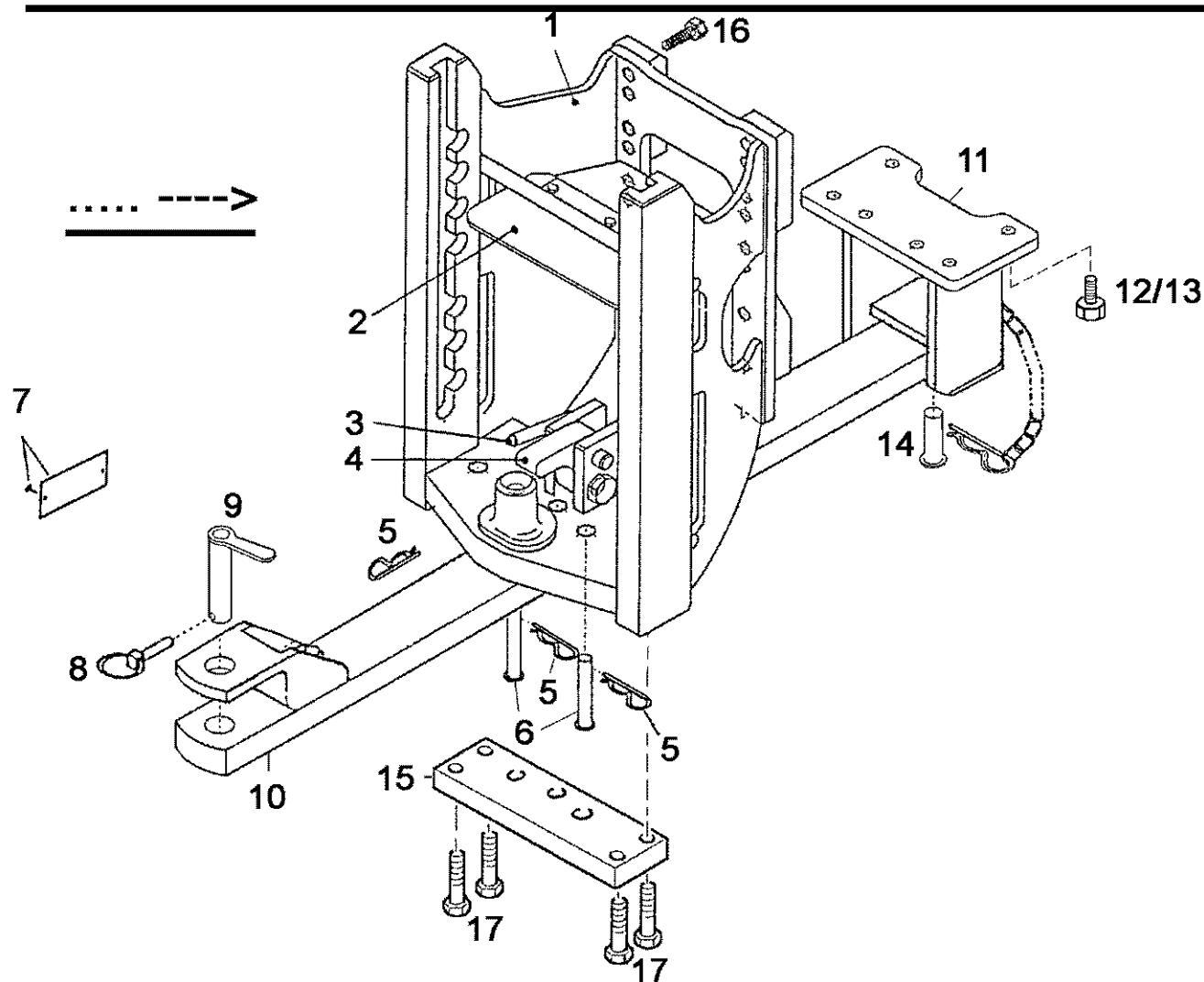
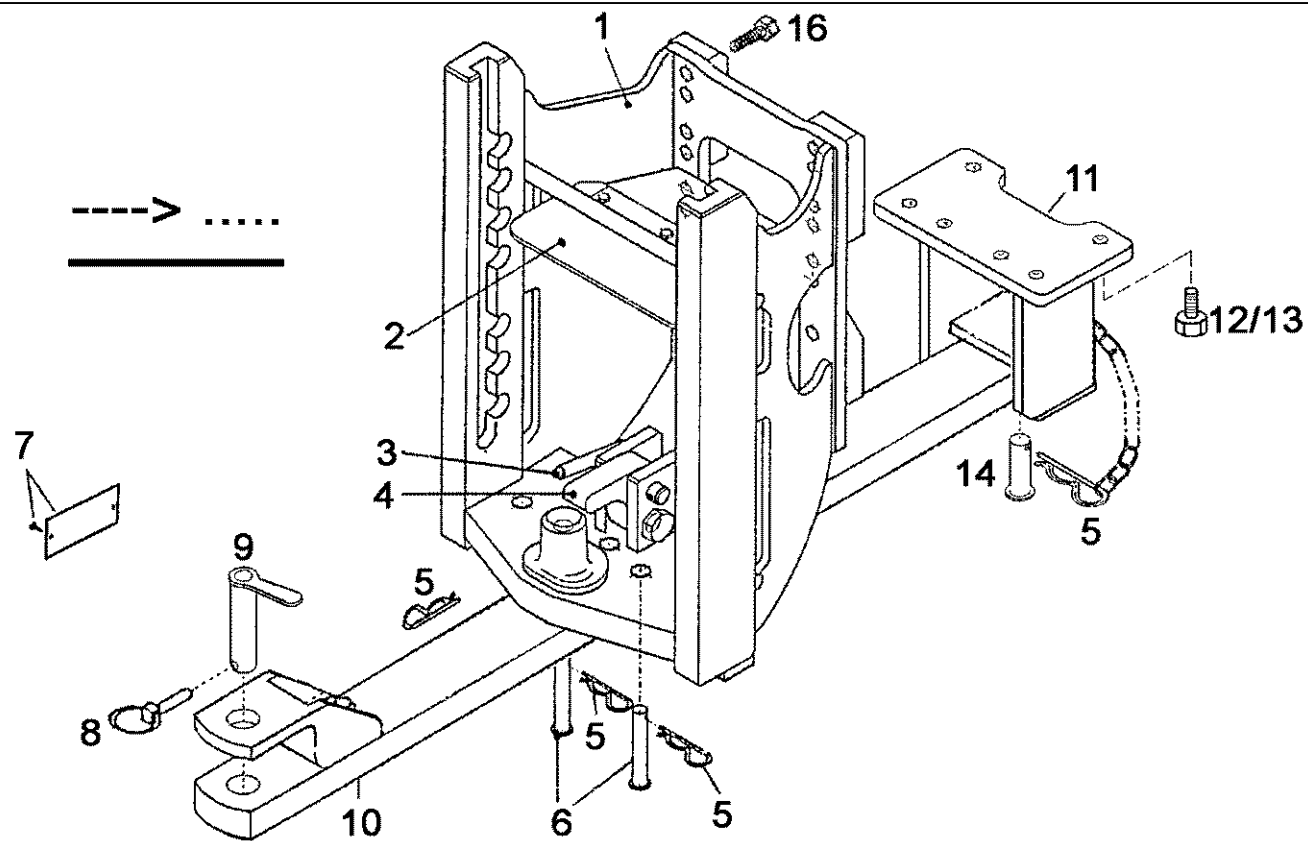
## 09C-23(01) DRAWBAR STORAGE

Ref	Onderdeelnummer	Kwt	Beschrijving
	155700930003	1	ZWAAIARM, , Besteht aus/Consists of/Compose de/Bestående af/È composto da 1 - 9
1	155700930711	1	PIN, LINCH,
2	155700930710	1	PIN, LARGE,
3	190003990024	5	VEER, , 4-A3C
4	155700930709	1	ZWAAIARM,
5	155700930702	2	PIN, LARGE,
6	NSS	1	NIET ALLEEN VERKRIJGBAAR,
6A	155700930701	1	KONZOOM, , Ersetzt/Replaces/Remplace/Udskiftet/Sostituisce 6
7	155700930704	2	PIN, LARGE,
8	155700930706	1	KONZOOM,
9	155700930707	1	PIN, PIVOT,

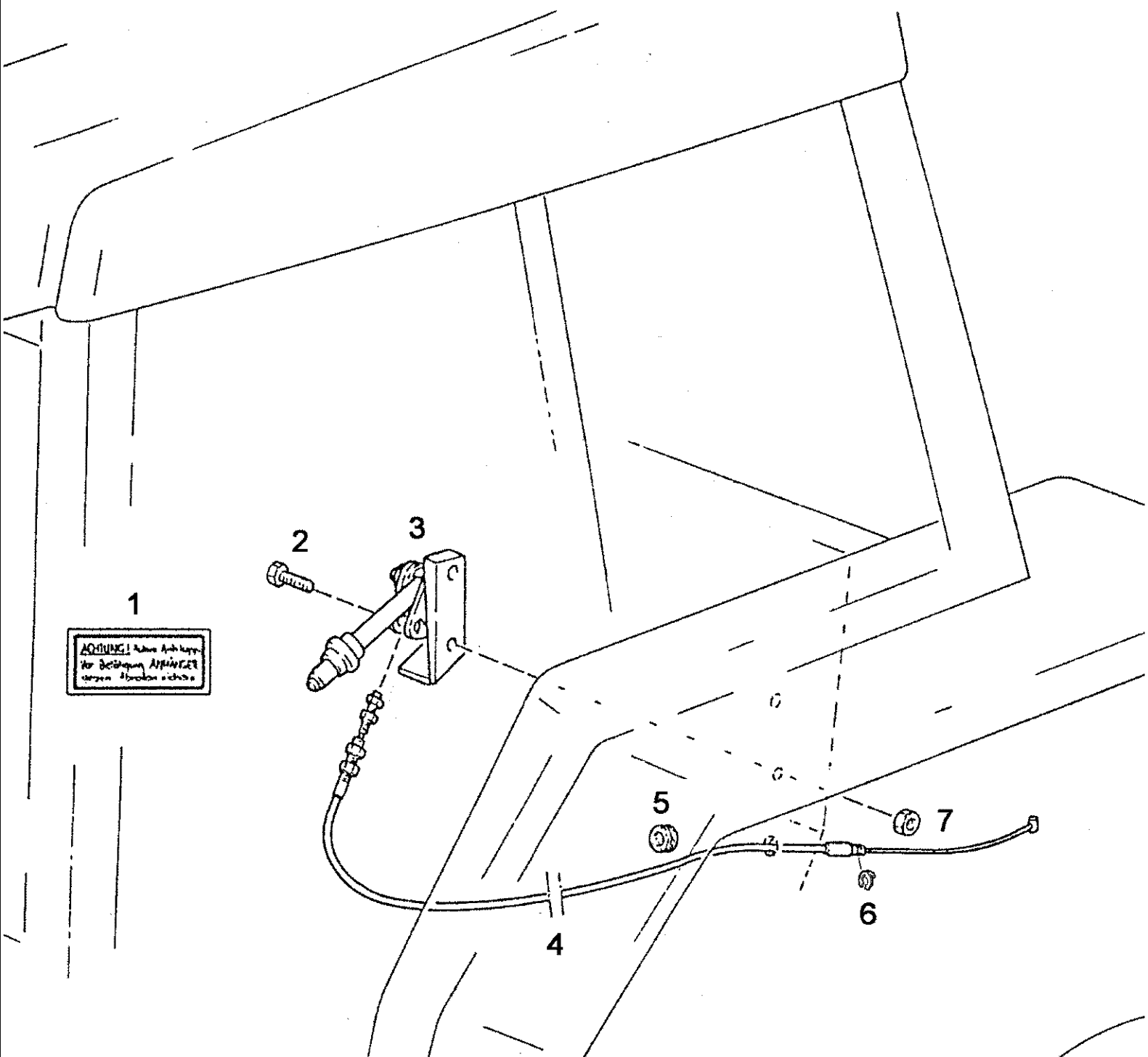




Ref	Onderdeelnummer	Kwt	Beschrijving
1	155700930004	1	HITCH ASSY, TRAILER, , ----> ..... - Besteht aus/Consists of/Compose de/Bestående af/È composto da 2 - 7, 8 - 13
		X	, ANHÄNGEKUPPLUNG/TRAILER HITCH/CHAPE D'ATTELAGE/ANHÆNGERTRÆK/GANCIO PER RIMORCHIO - Siehe Seite(n) vorne - See page(s) before/Voir page(s) avant(es)/Se side(r) forrest/Vedere pagin(a/e) precedent(e/i)
2	155700930721	1	PROTECTOR,
3	155700930711	1	PIN, LINCH, , Länge/Length/Longuer/Længde/Lunghezza 10,5mm
4	155700930724	1	PIN, LARGE,
5	190003990024	4	VEER, , 4-A3C
6	155700930723	1	ZWAAIARM,
7	155700930717	1	SUPPORT,
8	155700930722	1	MODELIDENTIFIKATIEPLAATJ,
9	155700930718	2	PIN, LARGE,
10	155700930719	1	PIN, LARGE,
11	155700930720	1	HEFBOOM,
12	155700930707	1	PIN, PIVOT,
13	155700930725	1	KONZOOL,
	155700930028	1	TREKBOOM, , ..... ----> - Besteht aus/Consists of/Compose de/Bestående af/È composto da 2 - 7, 15 - 19 - Ersetzt/Replaces/Remplace/Udskiftet/Sostituisce 155700930004
15	155700930742	1	MODELIDENTIFIKATIEPLAATJ,
	280854	4	BOUT, Hex, M14 x 35, 8.8, Full Thd, , M14x35-8.8
	190003800738	10	SCHROEF, , M14X60-8.8
16	155700930743	2	PIN, LARGE,
17	1-32-793-009	1	PIN, LARGE,
18	1-32-793-010	1	HEFBOOM,
19	1-32-793-038	1	PIN, LARGE,



Ref	Onderdeelnummer	Kwt	Beschrijving
	1-32-293-016	1	HITCH ASSY, , Besteht aus/Consists of/Compose de/Bestående af/È composto das 1 - 6, 12, 13 - Ersetzt/Replaces/Remplace/Udskiftet/Sostituisce 155700930040, 1-32-393-040
1	NSS	1	NIET ALLEEN VERKRIJGBAAR,
2	155700930721	1	PROTECTOR,
3	NSS	1	NIET ALLEEN VERKRIJGBAAR,
4	155700930720	1	HEFBOOM,
5	190003990009	4	VEERKLEM, , 6,3
6	NSS	2	NIET ALLEEN VERKRIJGBAAR,
	155700930041	1	ZWAAIARM, , Besteht aus/Consists of/Compose de/Bestående af/È composto da 5, 8 - 10, 12 - 14
7	NSS	1	NIET ALLEEN VERKRIJGBAAR,
8	155700930711	1	PIN, LINCH,
9	155700930724	1	PIN, LARGE,
10	155700930723	1	ZWAAIARM,
11	155700930706	1	KONZOOOL,
12	11115631	4	BOUT, Hex, M14 x 35, 10.9, Full Thd, , M14x35-10.9
13	190003802728	2	SCHROEF, , M14x30 10.9
14	155700930707	1	PIN, PIVOT,
15	NSS	1	NIET ALLEEN VERKRIJGBAAR,
16	190003800305	8	SCHROEF, , M14x60-10.9
17	NSS	4	NIET ALLEEN VERKRIJGBAAR,



Ref	Onderdeelnummer	Kwt	Beschrijving
1	137700930023	1	DECAL,
2	15213321	2	BOUT, Hex, M8 x 35, 8.8,
3	133700930090	1	HEFBOOM,
4	133700930103	1	BOWDENBEDIENING, , Länge/Length/Longuer/Længde/Lunghezza 1315mm, Einschließlich/Includes/Avec/Inklusive/Compreso 4A
5	190003120122	1	KABELDOORGANG, , Q06 ; 10X3
6	1-34-744-034	1	BORGVEER,
7	825-1408	2	MOER, M8, CI 8,

